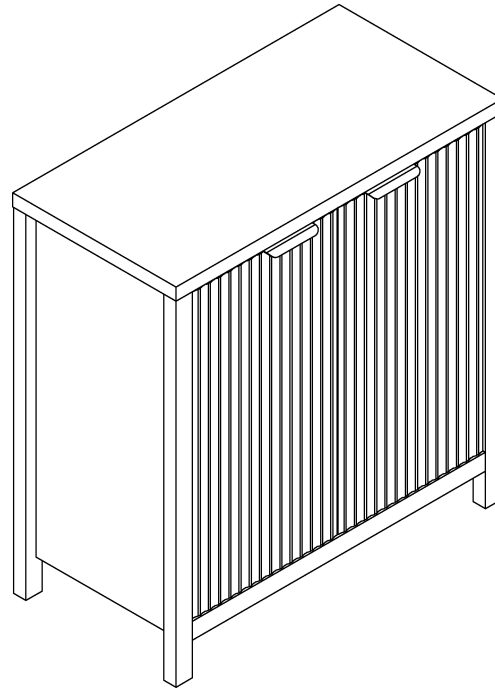


CABINET

USAGE GUIDELINES

(to use this product, please read this User Guide carefully)



Dear friends.

Thank you for using our products, in order to facilitate your correct operation of this product, please read this user guide carefully before use. and store it in a fixed place so that you can consult it in the future.

CATALOGS

Basic Product Parameters	01
Unpacking List	02-03
Installation instructions	04-14
Transport and installation	15
Caveat	15

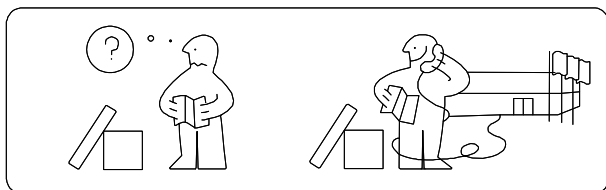
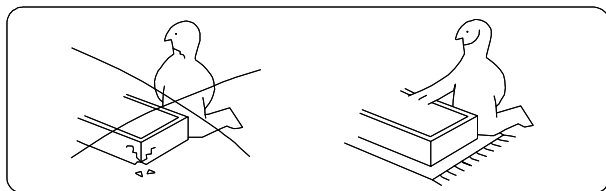
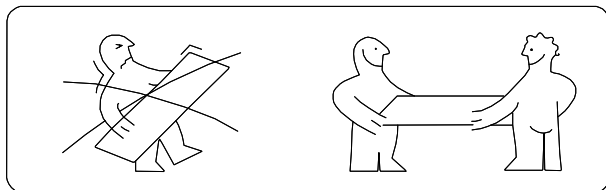
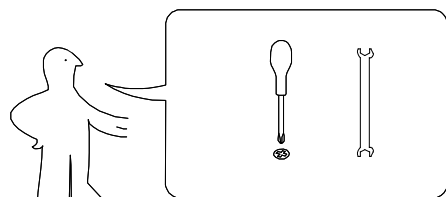
BASIC PRODUCT PARAMETERS

BRAND NAME

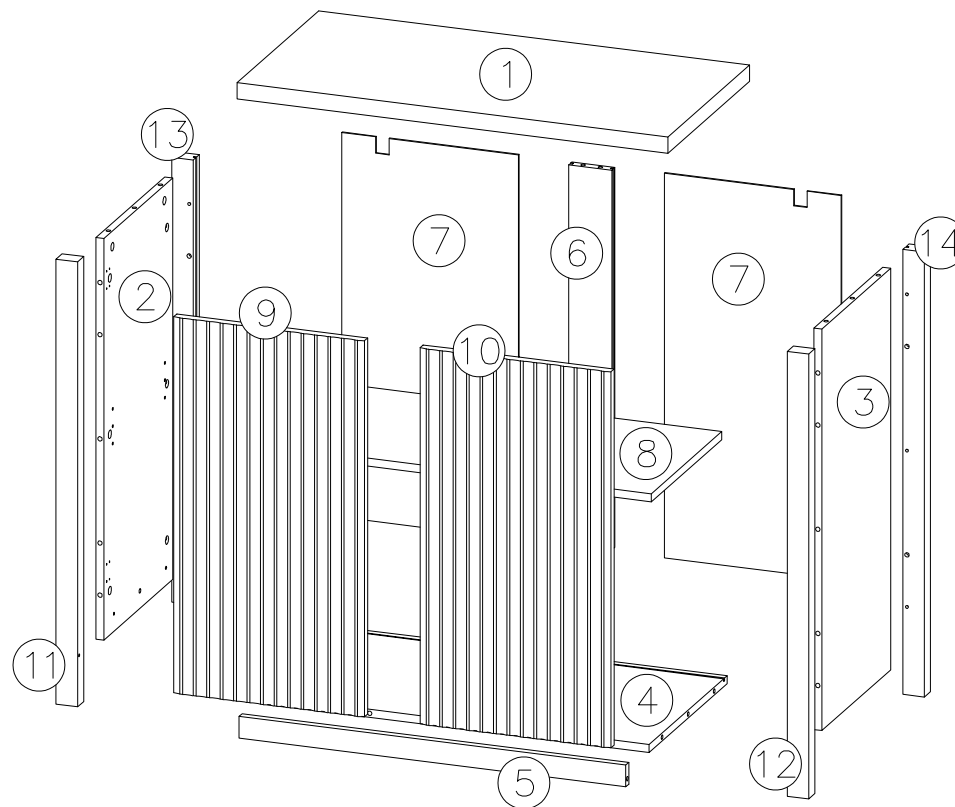
Cabinet

SIZES

80X40X85CM;

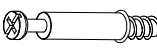
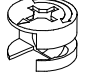



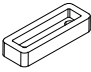
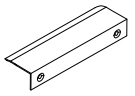
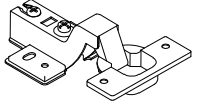
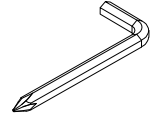
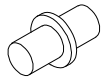
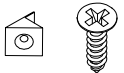
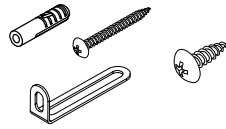


UNPACKING LIST



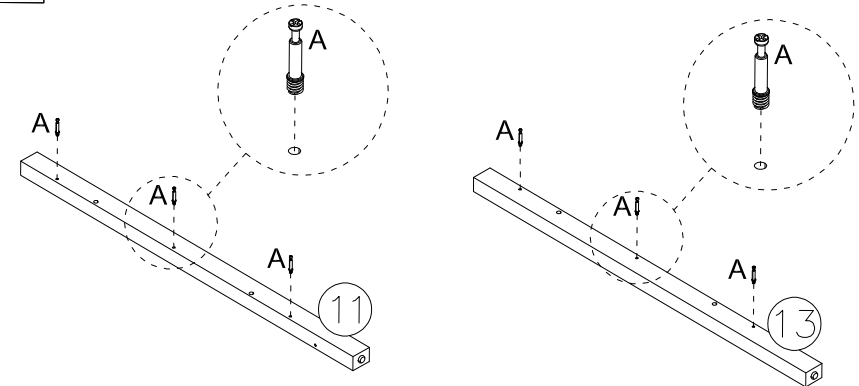
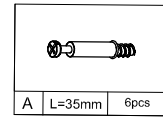
NO.	SIZE	QTY	NO.	SIZE	QTY
1	800*400*30	1	8	716*346*15	1
2	740*338*15	1	9	693*354*18	1
3	740*338*15	1	10	693*354*18	1
4	718*383*15	1	11	820*40*30	1
5	718*40*15	1	12	820*40*30	1
6	700*80*15	1	13	820*40*30	1
7	709*328*3	2	14	820*40*30	1

UNPACKING LIST

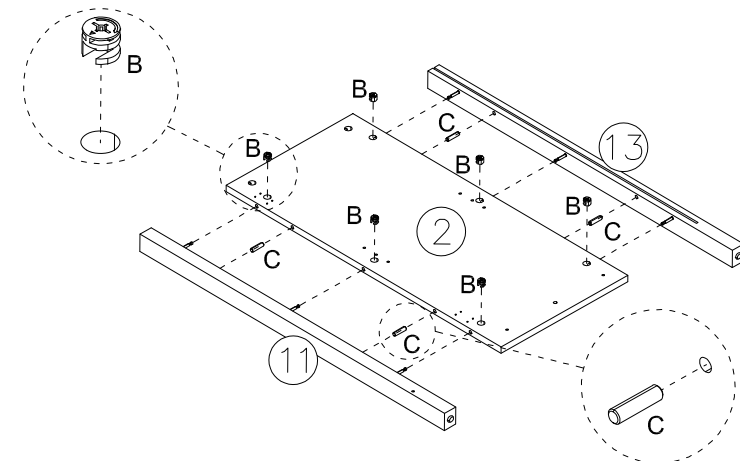
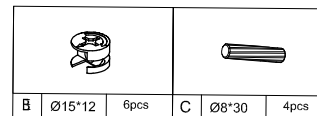
					
A	L=35mm 29pcs (2pc spare)	B	Ø15*12 29pcs (2pc spare)	C	Ø8*30 14pcs (2pc spare)
 black		 white			
D	Ø3.5x14 12pcs (2pc spare)	E	Ø3.5x14 24pcs (2pc spare)	F	/ 4pcs
					
G	/ 2pcs	H	/ 4pcs	I	M4 1pc
					
J	/ 4pcs (1pc spare)	K	/ 16pcs (2pc spare)	L	/ 2pcs

INSTALLATION INSTRUCTIONS

STEP 1

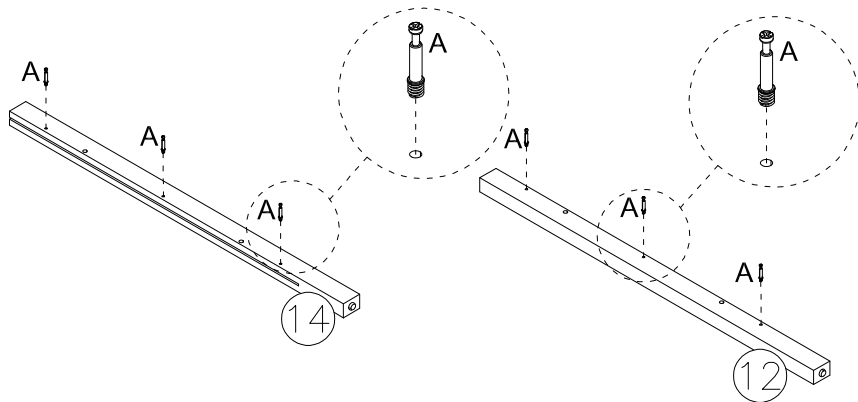
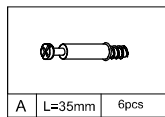


STEP 2

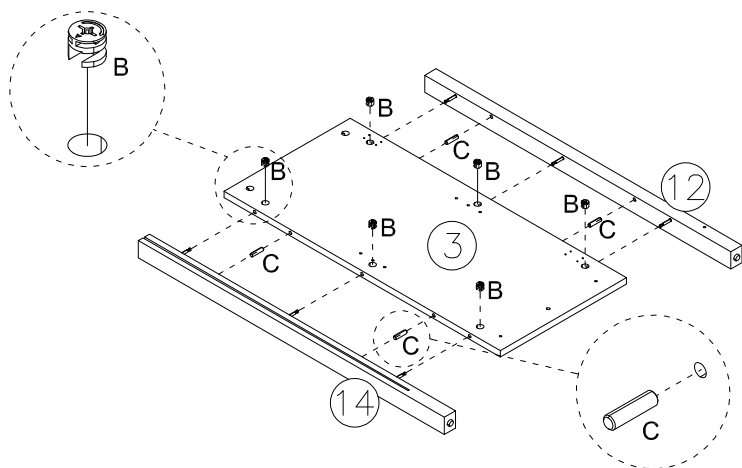
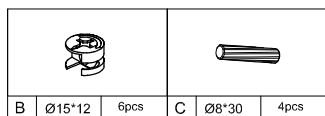


INSTALLATION INSTRUCTIONS

STEP 3



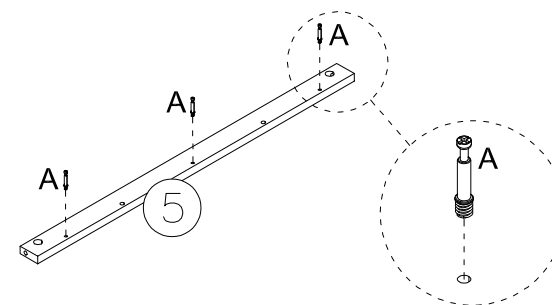
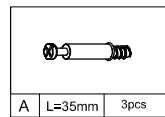
STEP 4



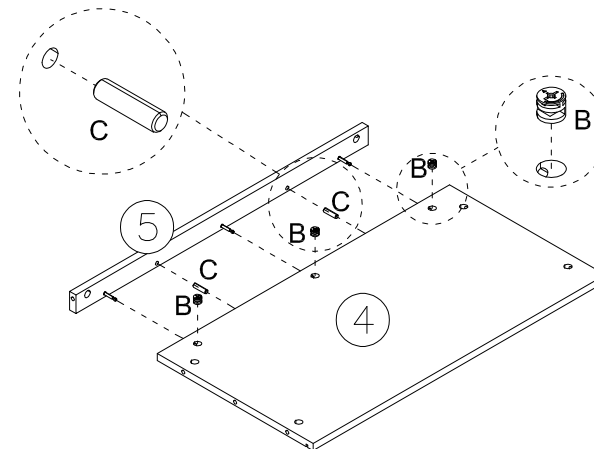
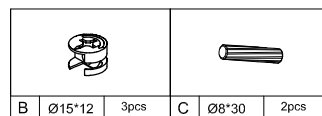
05

INSTALLATION INSTRUCTIONS

STEP 5




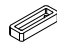
STEP 6

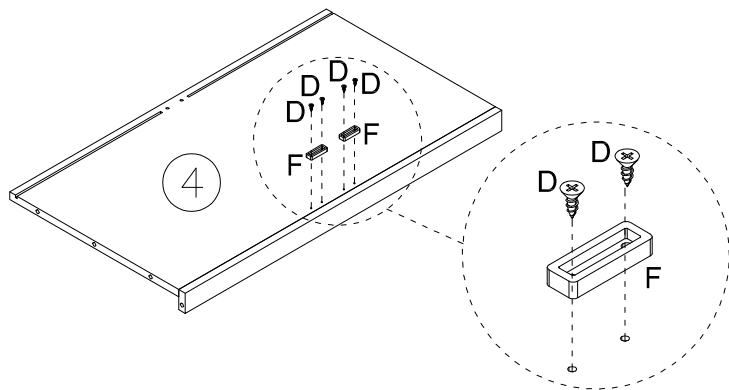


06

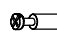
INSTALLATION INSTRUCTIONS

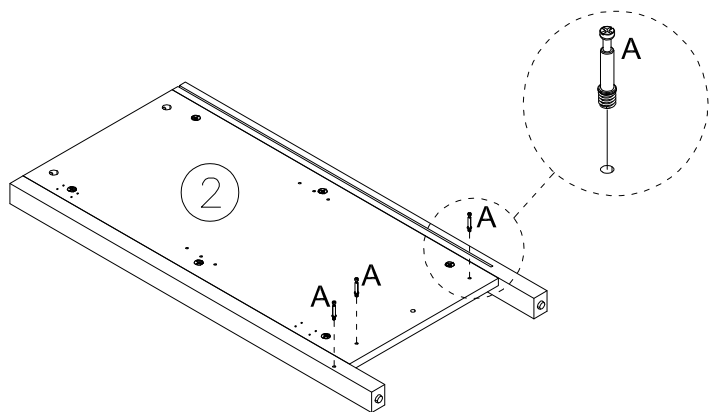
STEP 7

	black		
D	∅3,5x12	4pcs	F / 2pcs



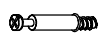
STEP 8

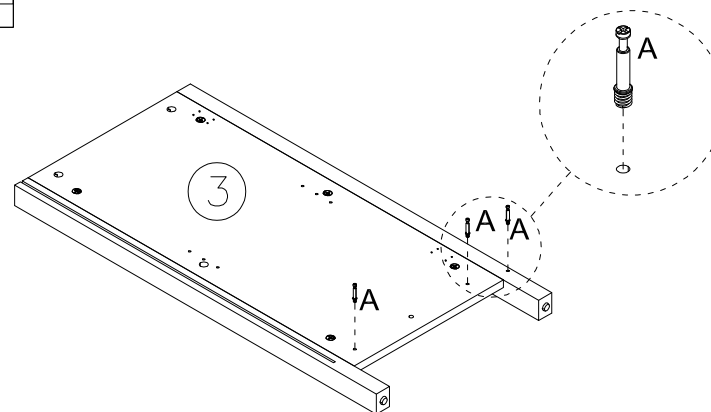
	
A	L=35mm 3pcs





INSTALLATION INSTRUCTIONS

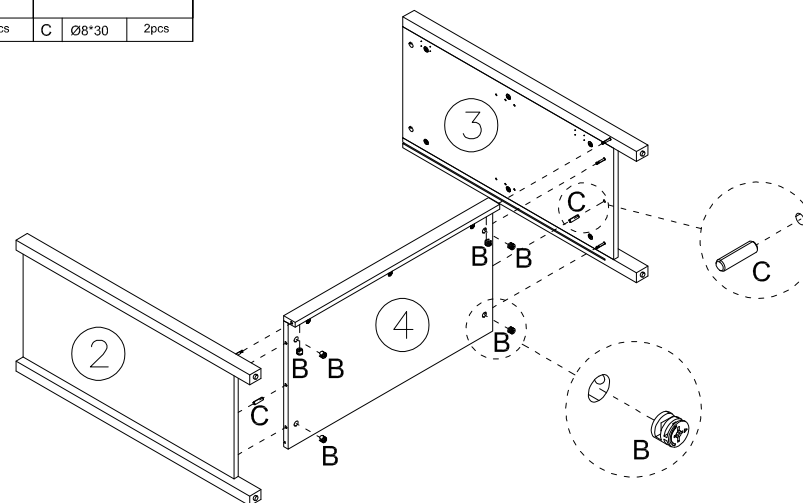
STEP 9

	
A	L=35mm 3pcs



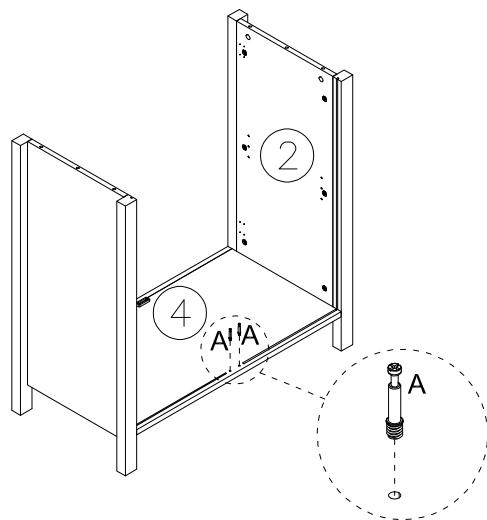
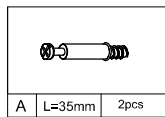
STEP 10

			
B	∅15*12 6pcs	C	∅8*30 2pcs

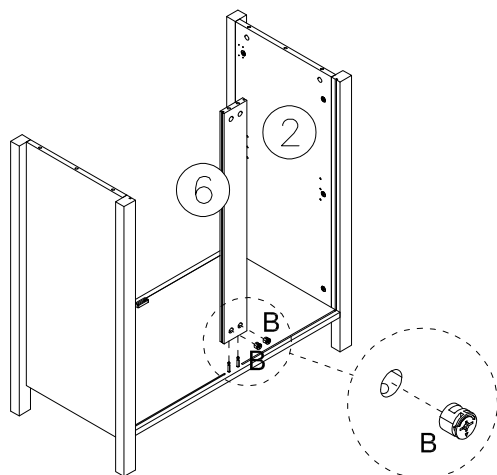
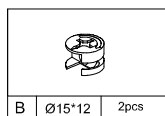


INSTALLATION INSTRUCTIONS

STEP 11

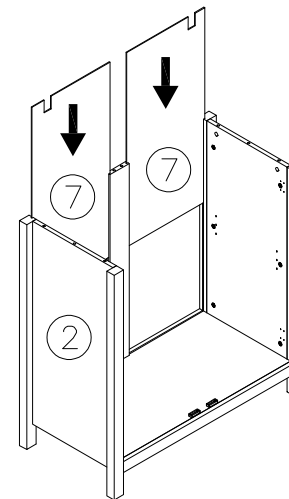


STEP 12

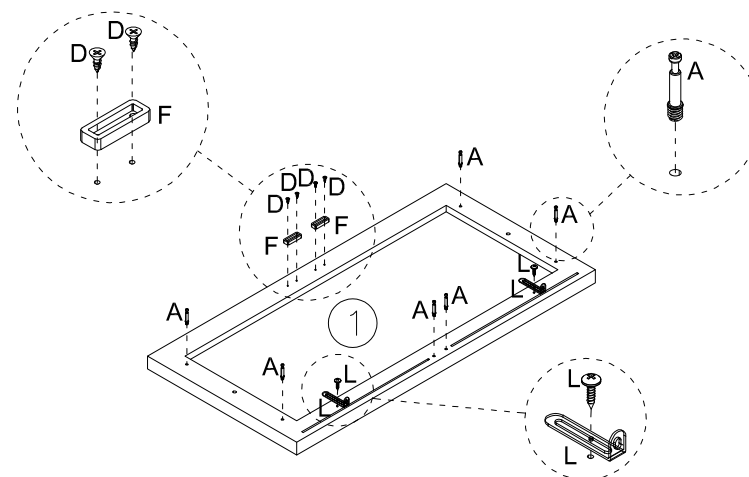
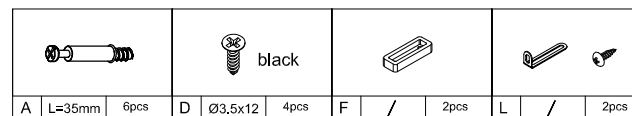


INSTALLATION INSTRUCTIONS

STEP 13





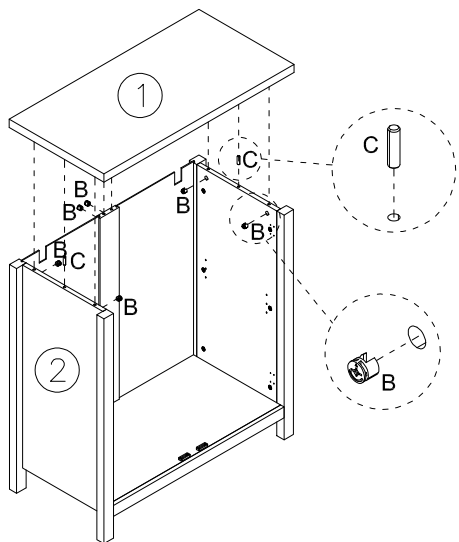
STEP 14





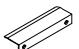
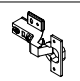
INSTALLATION INSTRUCTIONS

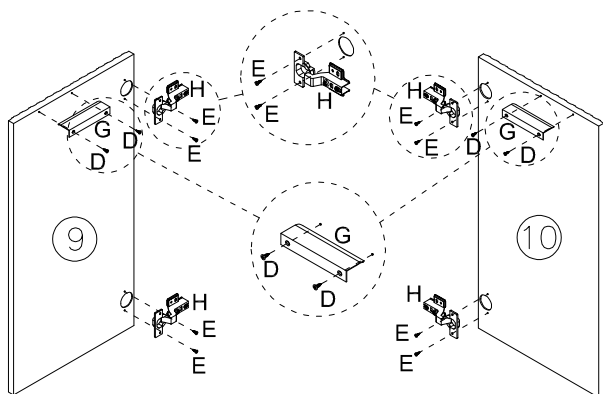
STEP 15

	
B Ø15*12 6pcs	C Ø8*30 2pcs




STEP 16

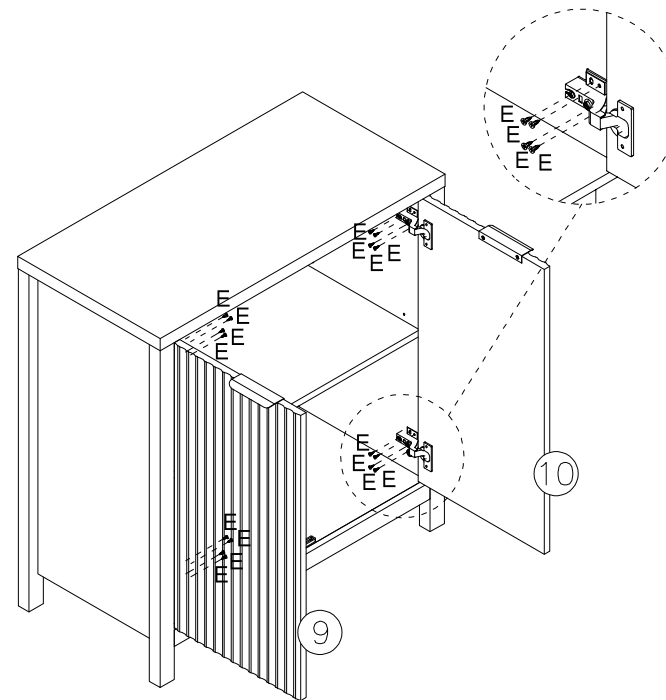
 black	 white		
D Ø15*12 4pcs	E Ø8*30 8pcs	G / 2pcs	H / 4pcs



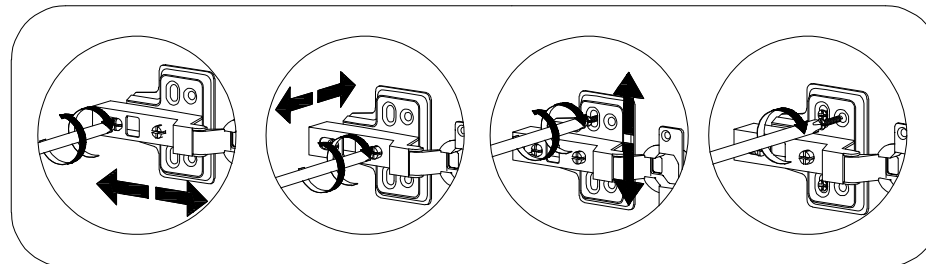
INSTALLATION INSTRUCTIONS

STEP 17

 white
E Ø3.5x12 16pcs

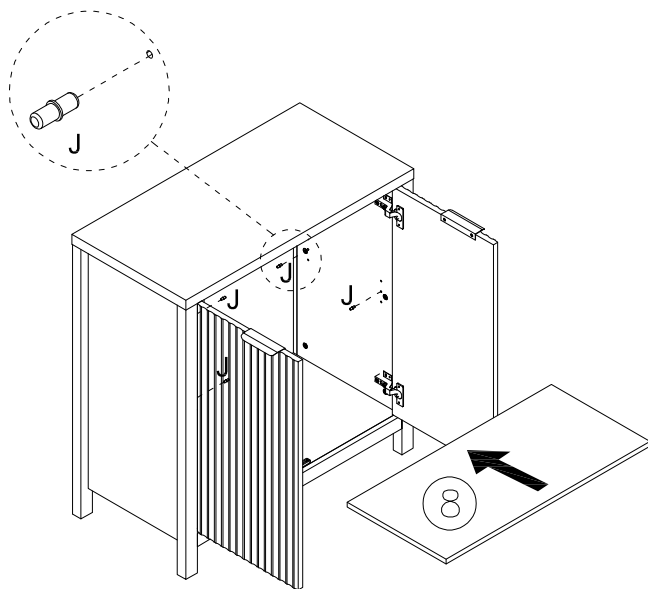
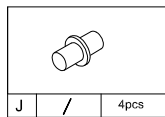


Please adjust the door panel gap according to the following diagram

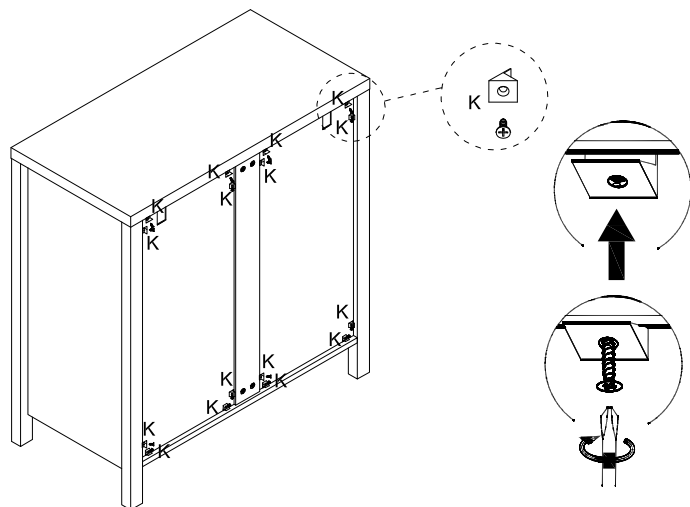
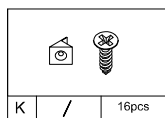


INSTALLATION INSTRUCTIONS

STEP 18

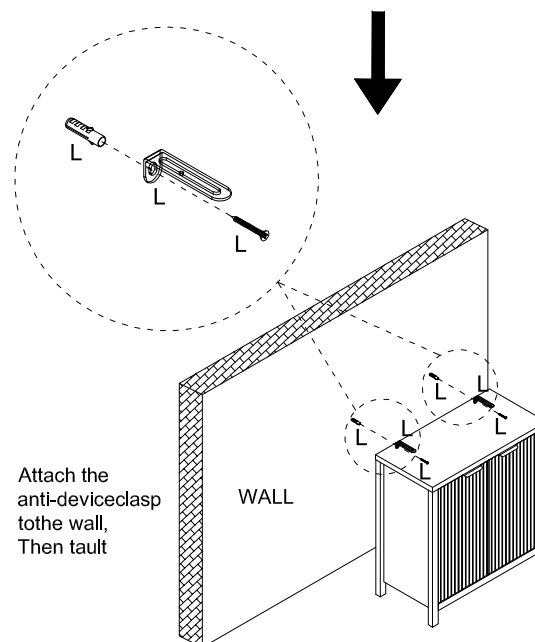
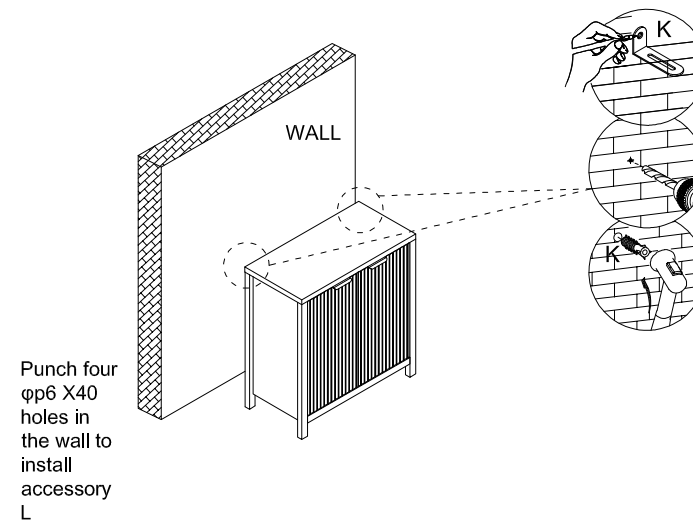
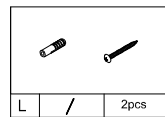


STEP 19



INSTALLATION INSTRUCTIONS

STEP 20



TRANSPORT AND INSTALLATION

1. The TV TABLE should be especially protected against rain, moisture and crushing by heavy objects during transportation, in order to avoid quality problems during use.
2. Please make sure that the TV TABLE has the safe access required for its entry before it enters your place of use.
3. Cabinets are mainly fixed installation, a few are dismantling TV TABLEs. When purchasing a cabinet, please give full consideration to the size of the door frame and the movable space of the entrance door. If necessary, ask a professional to disassemble the cabinet and reassemble it after entering the house, so that it will not damage the TV TABLE's internal structure, seating sensation and surface effect.

CAVEAT

Please read all instructions before use.

If in any doubt about safety, contact a specialized technician for inspection. When using this product, basic safety precautions must be observed to avoid the risk of injury to persons, including the following.

1. Do not use this product in high humidity environments.
2. Do not store or use this product outdoors or in direct sunlight.
3. Someone must be present to watch over children, disabled people or people with reduced mobility when they are near or using the TV TABLE.