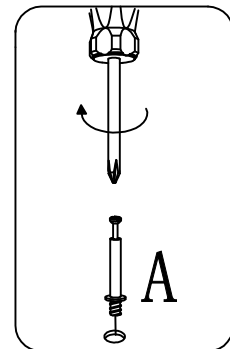
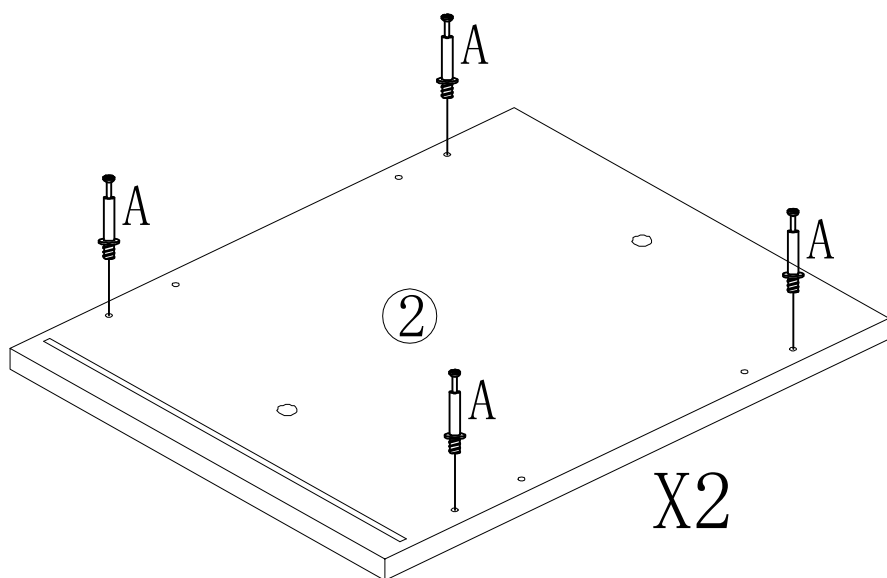
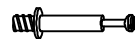
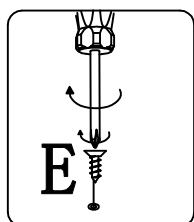
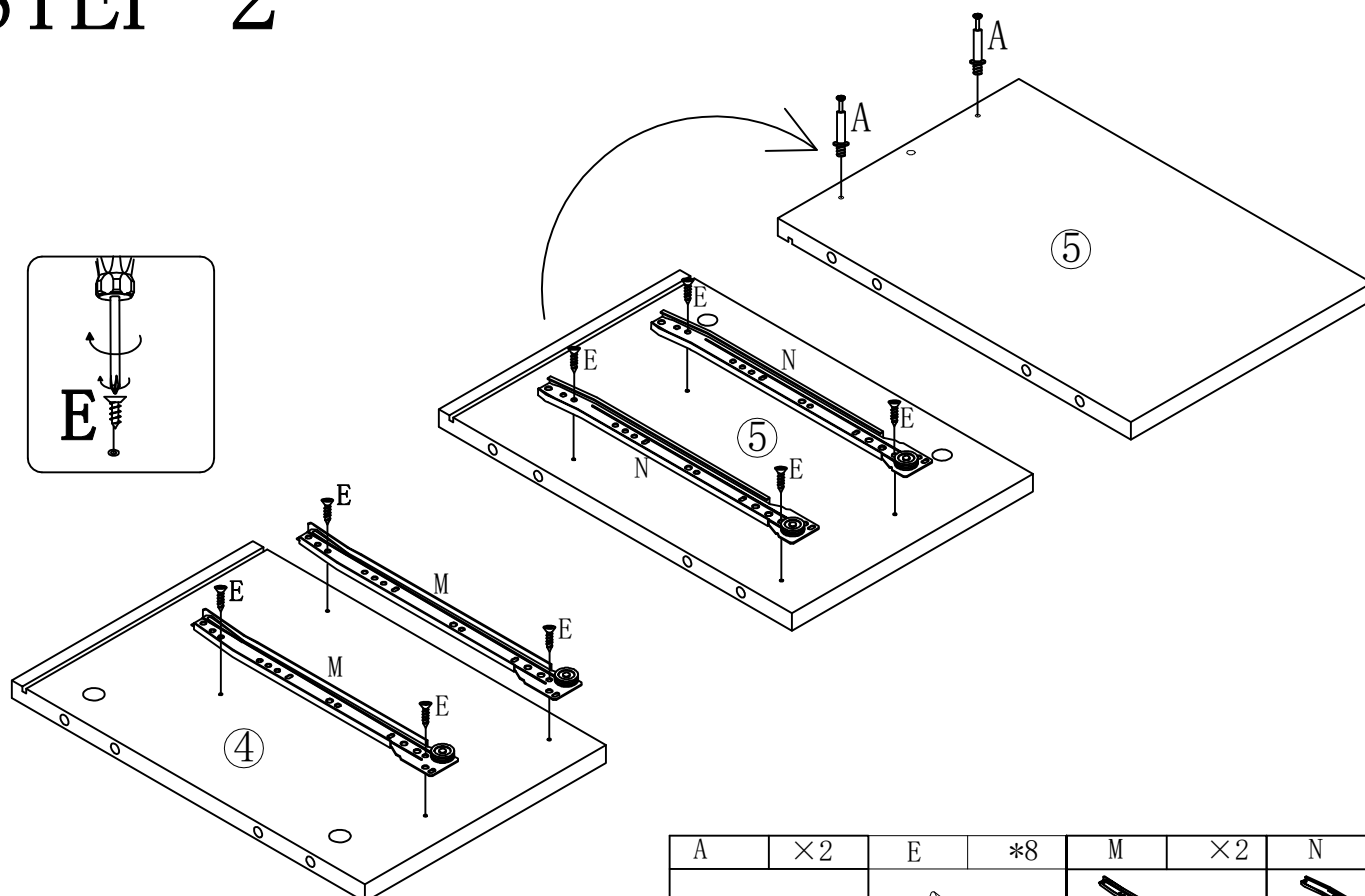


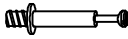
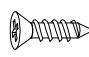


STEP 1



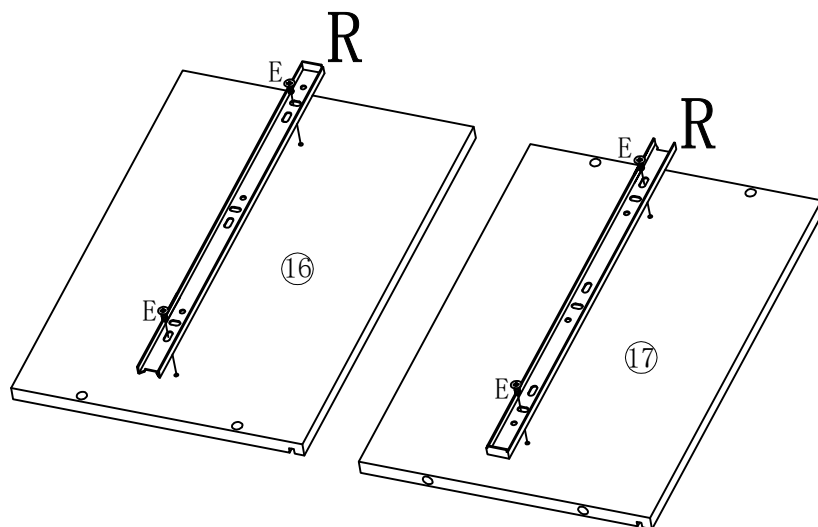
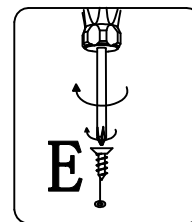
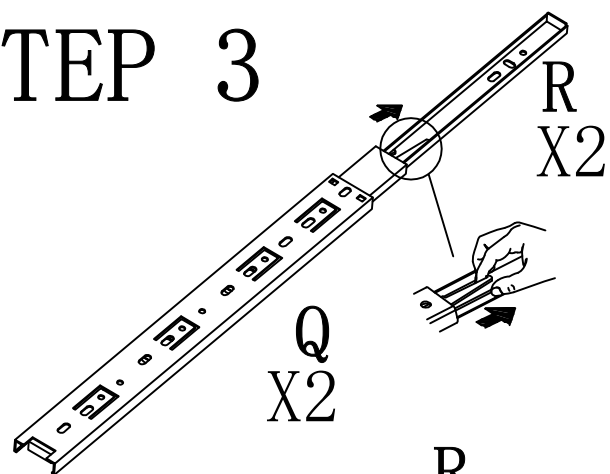
A	×8
	
ø6*35mm	



STEP 2



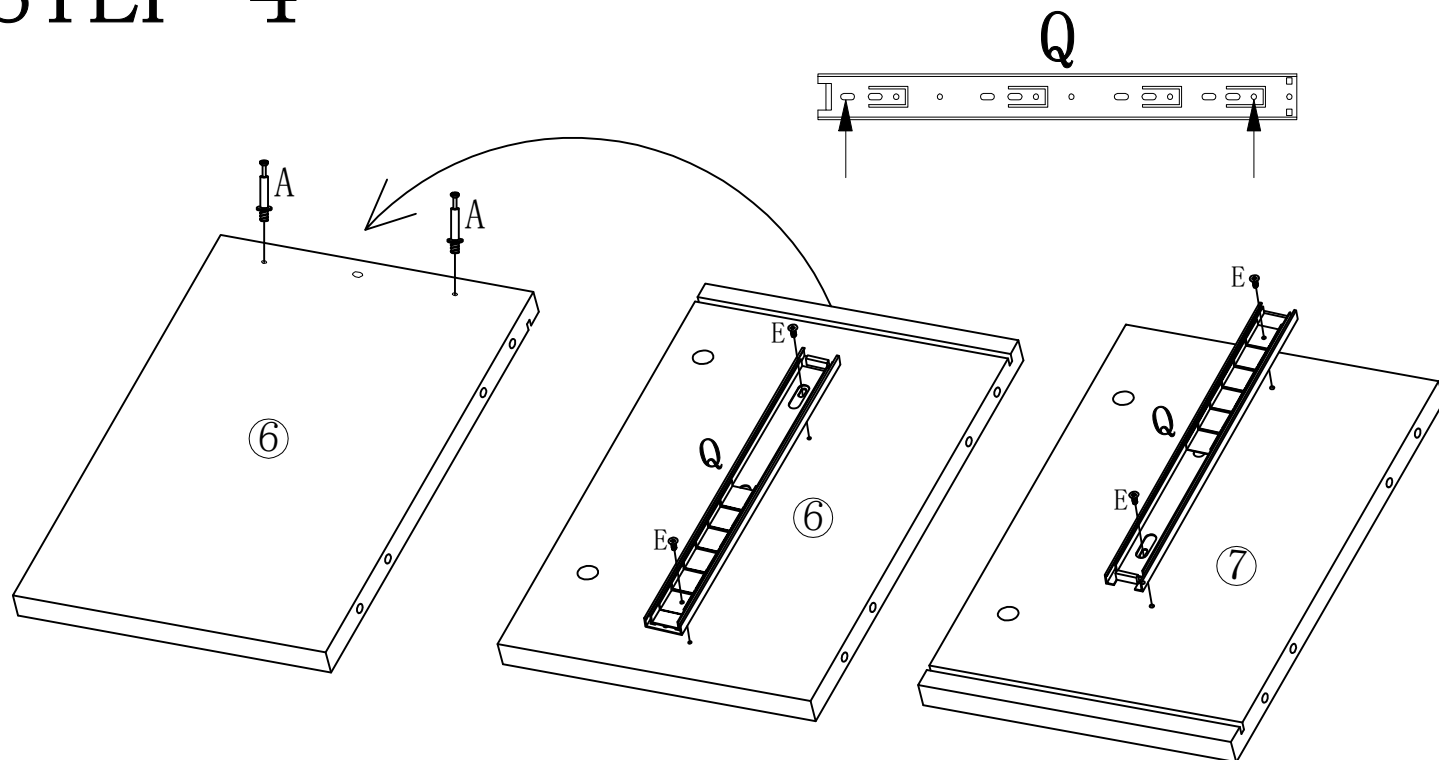
A	×2	E	*8	M	×2	N	×2
							
ø6*35mm		3.5*12mm		L350mm		L350mm	

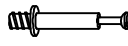

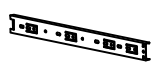
STEP 3



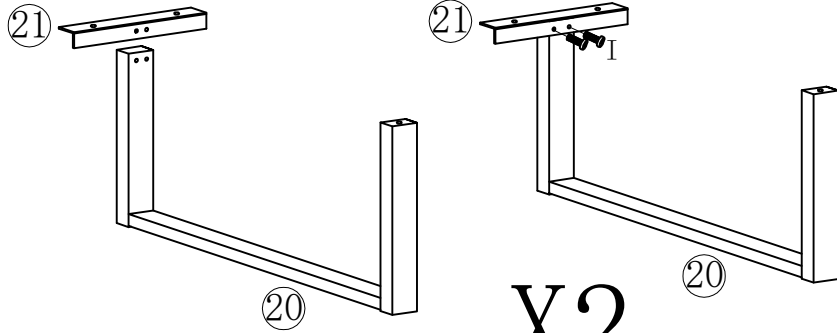
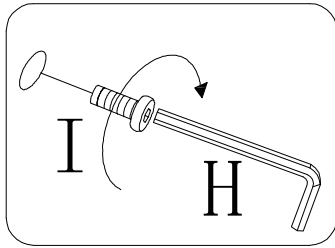
E	*4	R	×2
			
3.5*12mm		L350mm	

STEP 4

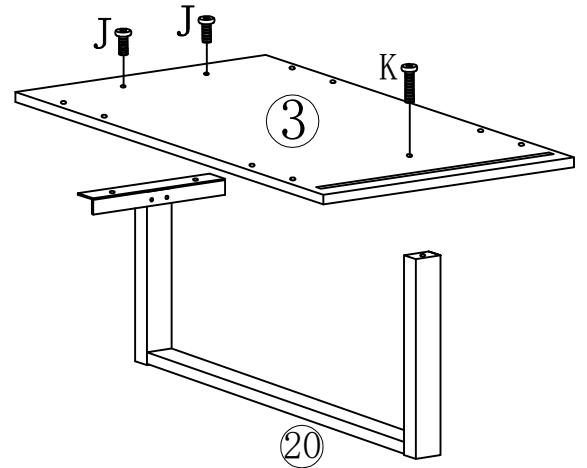


A	×2	E	*4	Q	×2
					
∅6*35mm		3.5*12mm		L350mm	

STEP 5

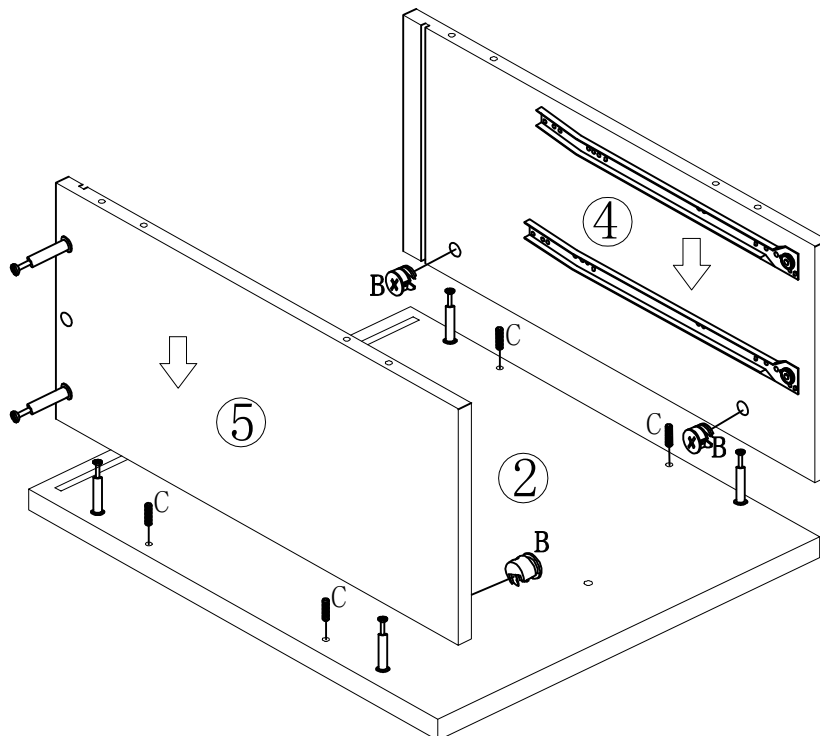


X2



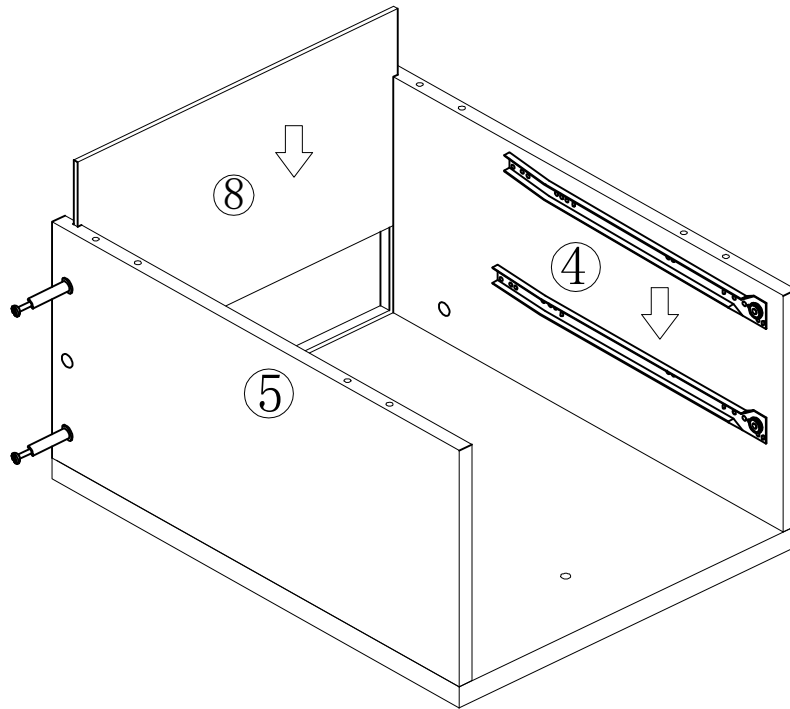
H	*1	I	*4	J	*4	K	*2
M4X55		M6*15mm		M6*20mm		M6*35mm	

STEP 6

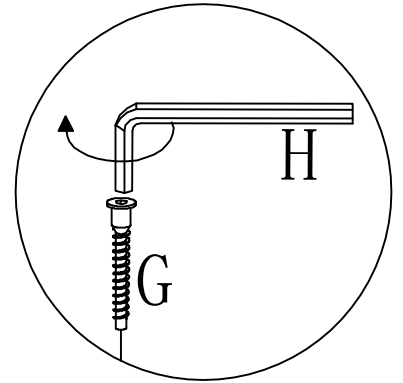
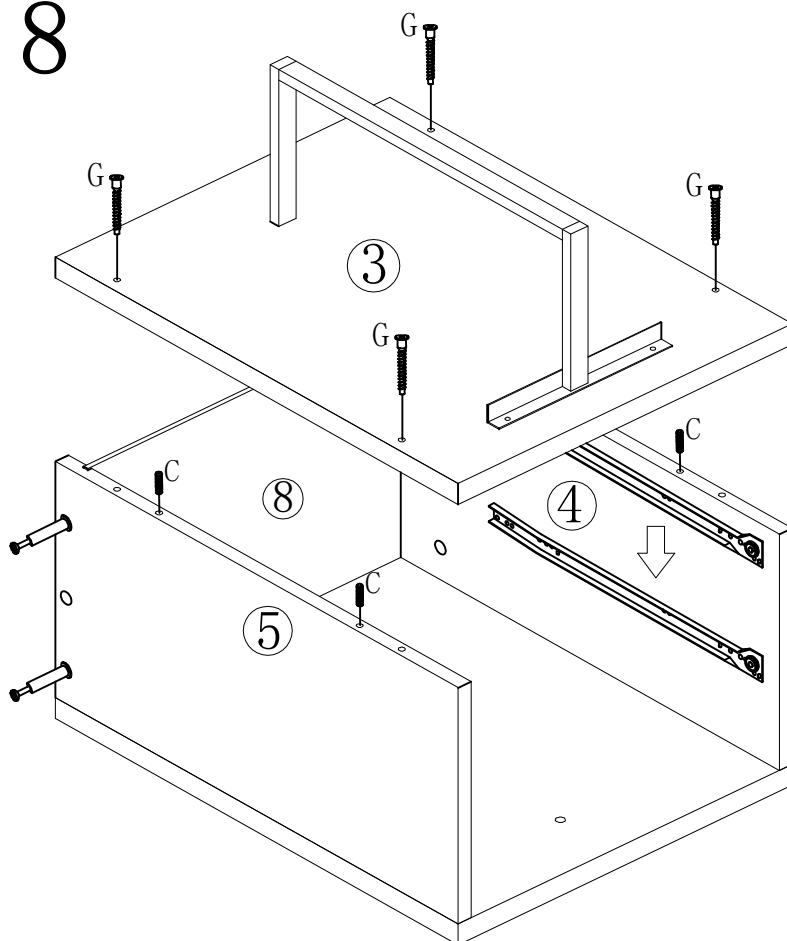



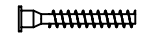
B	*4	C	*4
φ 15X19		φ 7 8X30	

STEP 7

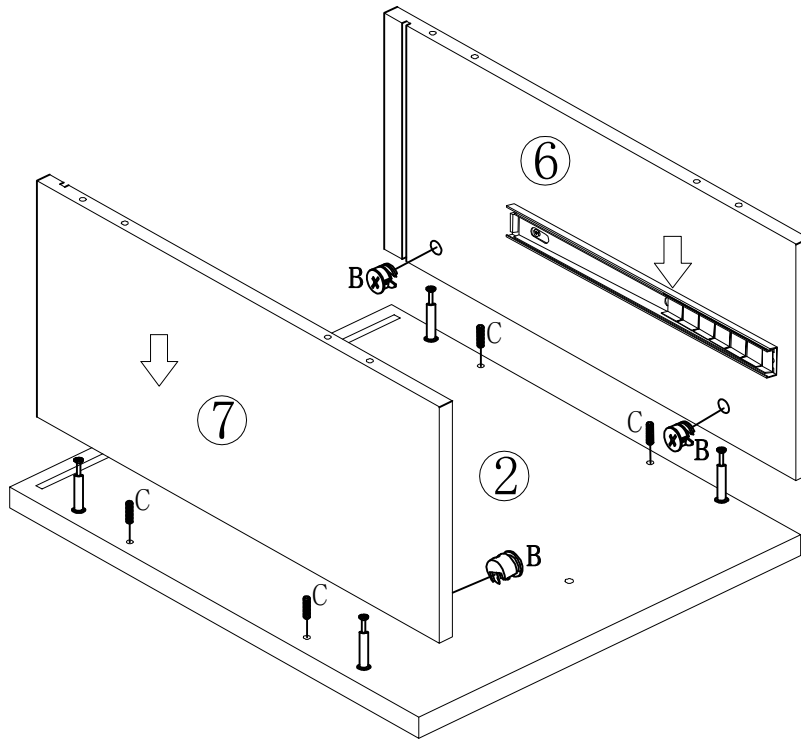




STEP 8



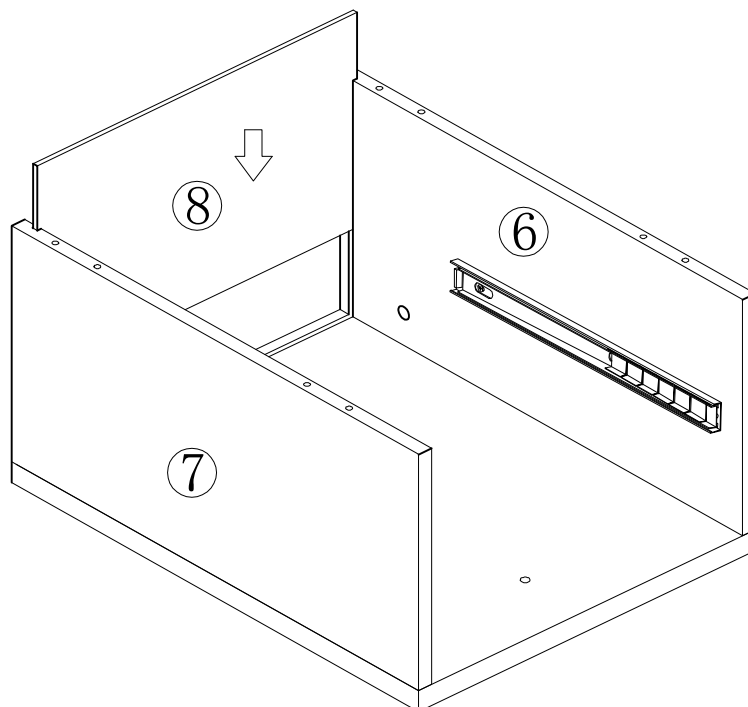
C	*4	G	X4
			
$\phi 7.8 \times 30$		$\phi 7 \times 47$	

STEP 9

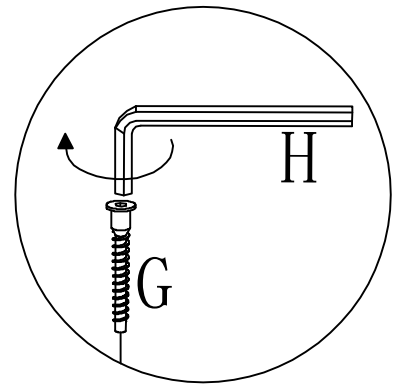
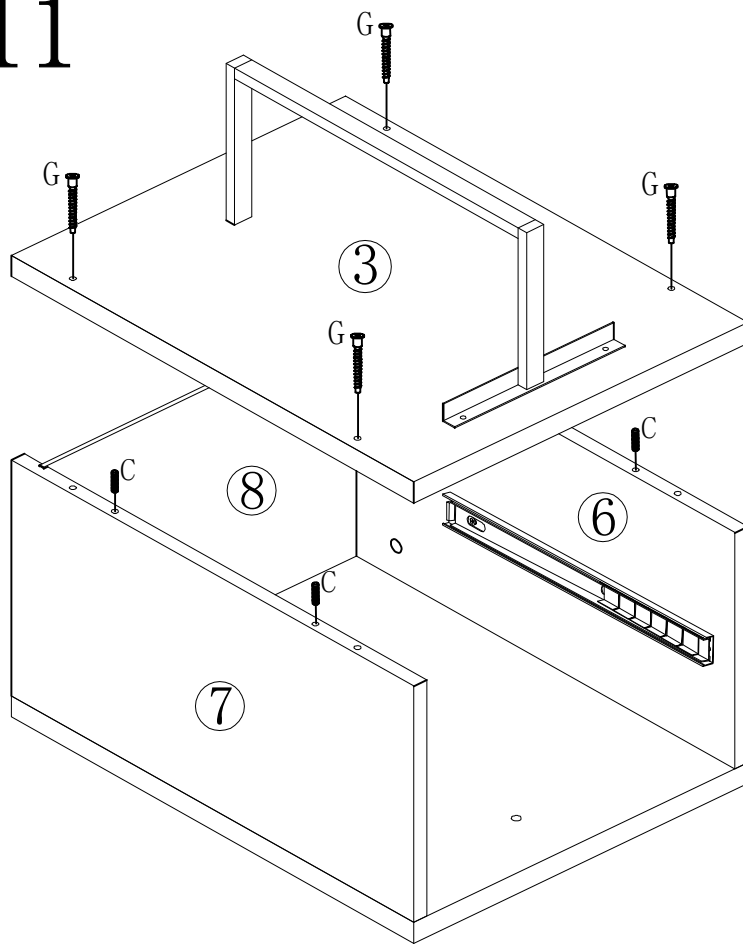



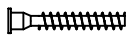
B	*4	C	*4
			
φ 15X12		φ 7.8X30	

STEP 10

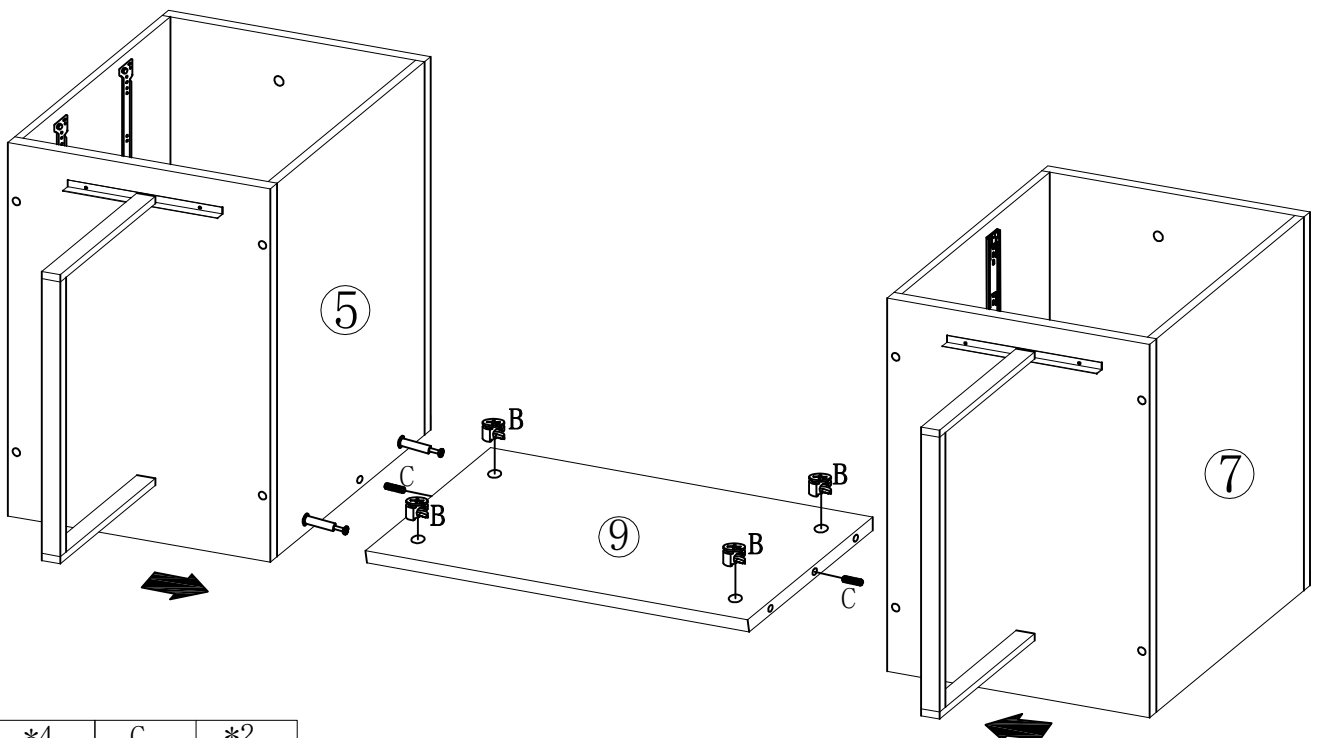




STEP 11



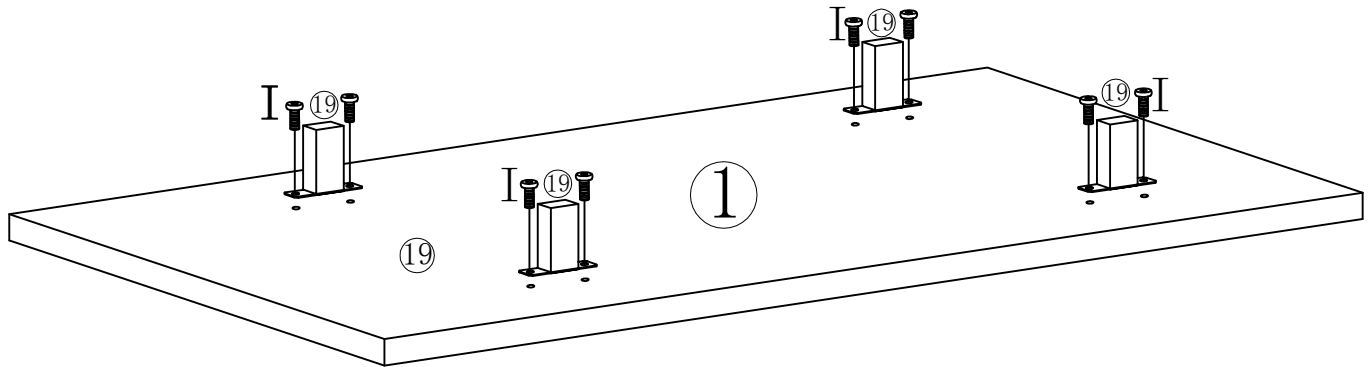
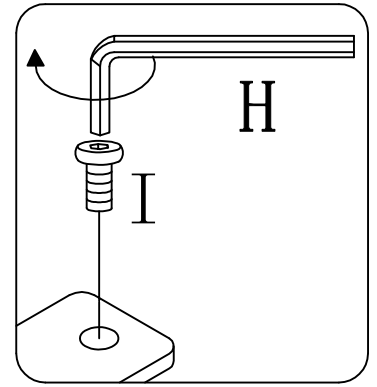
C	*4	G	X4
			
φ 7. 8X30		φ 7X47	

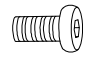
STEP 12



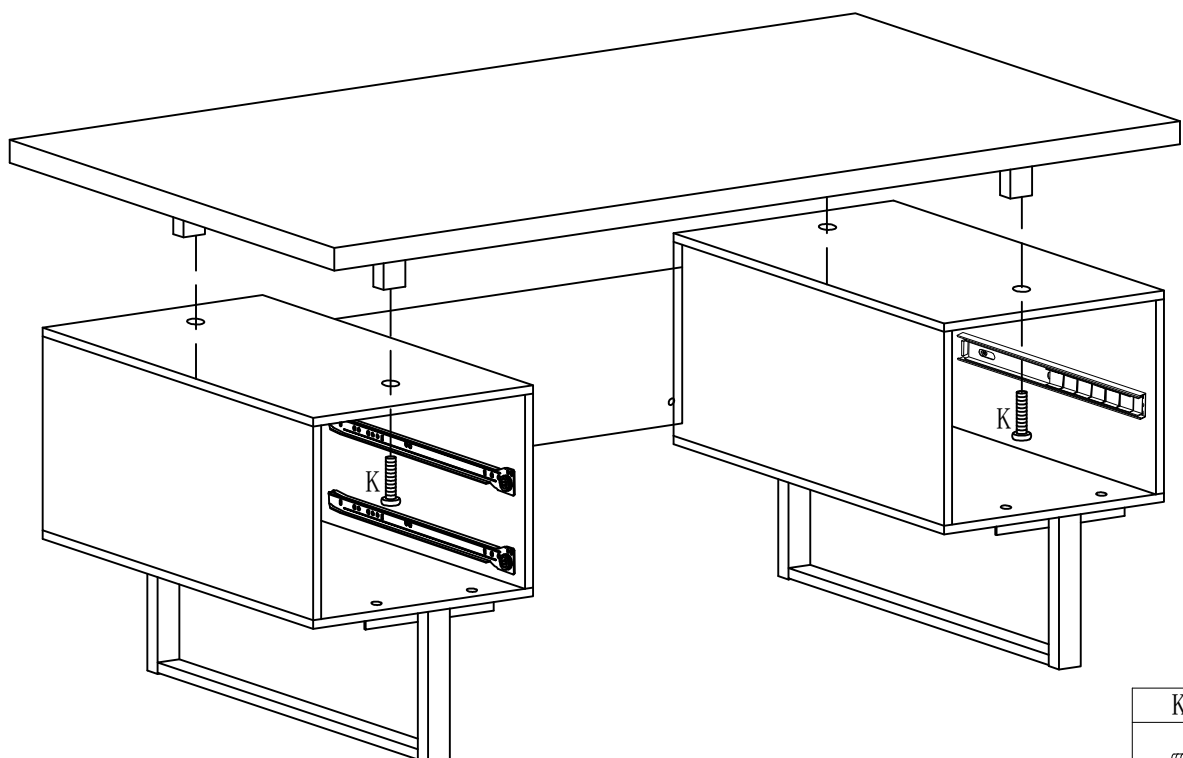
B	*4	C	*2
			
φ 15X12		φ 7. 8X30	

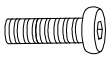
STEP 13



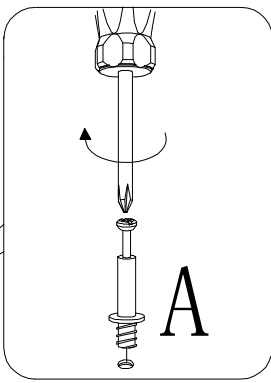
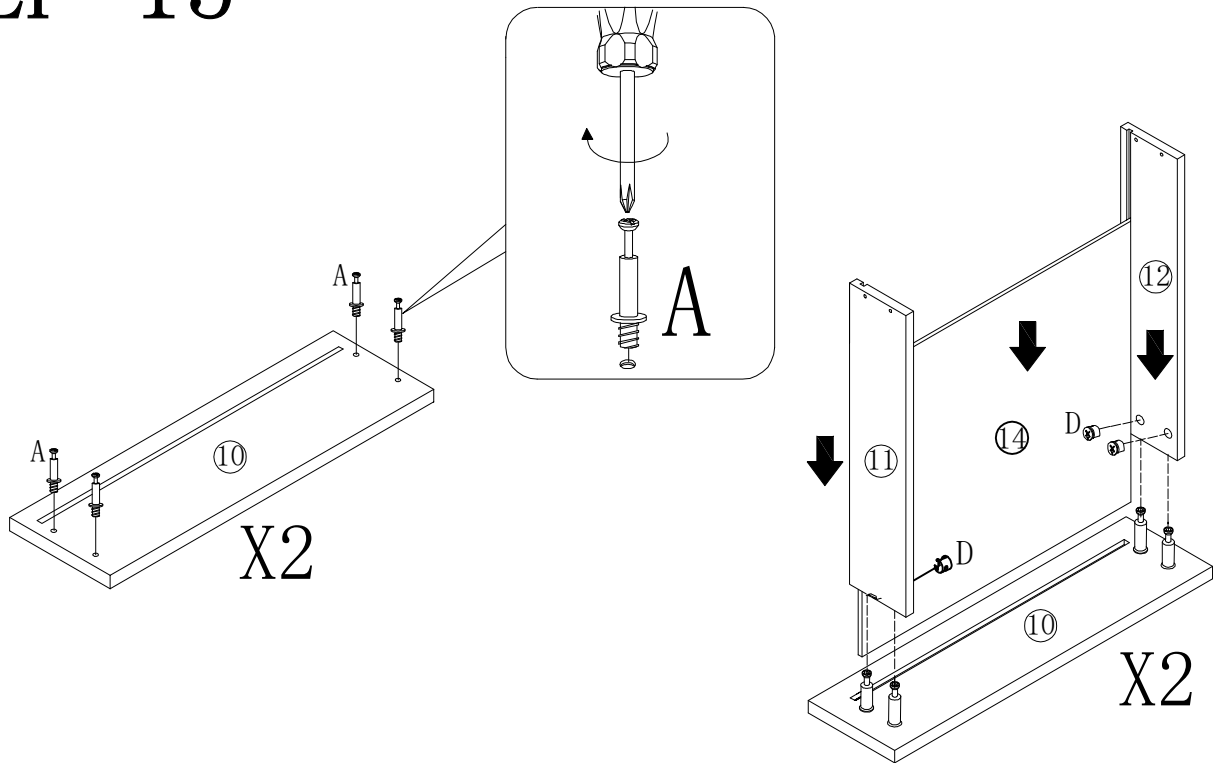
I	*8
	
M6*15mm	

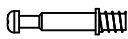

STEP 14



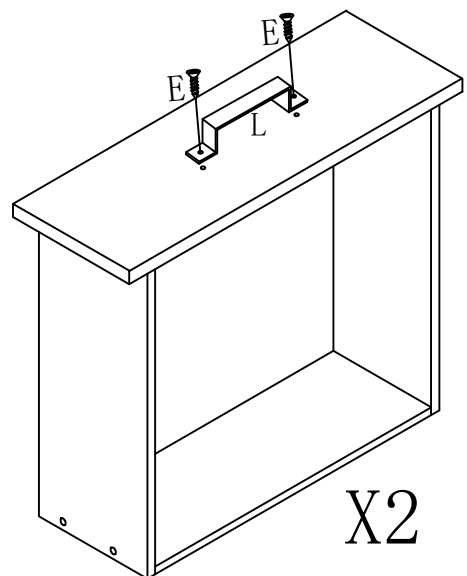
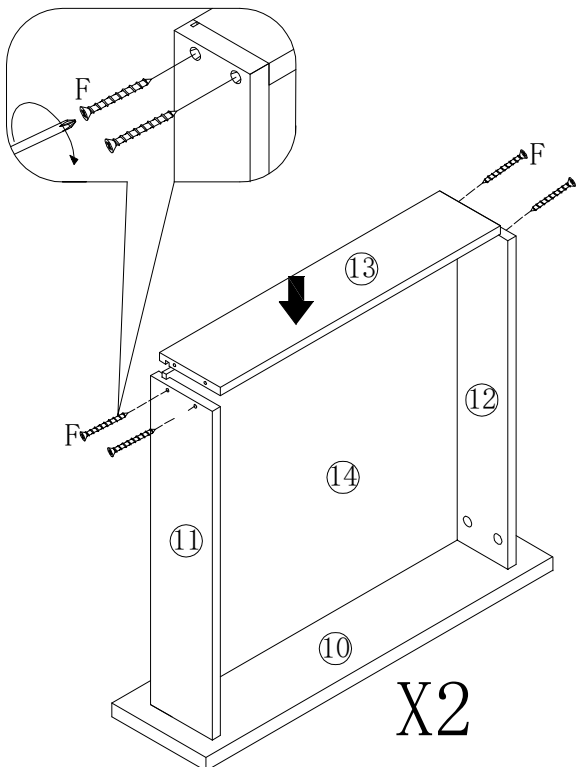
K	*4
	
M6*35mm	


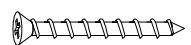
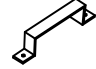
STEP 15



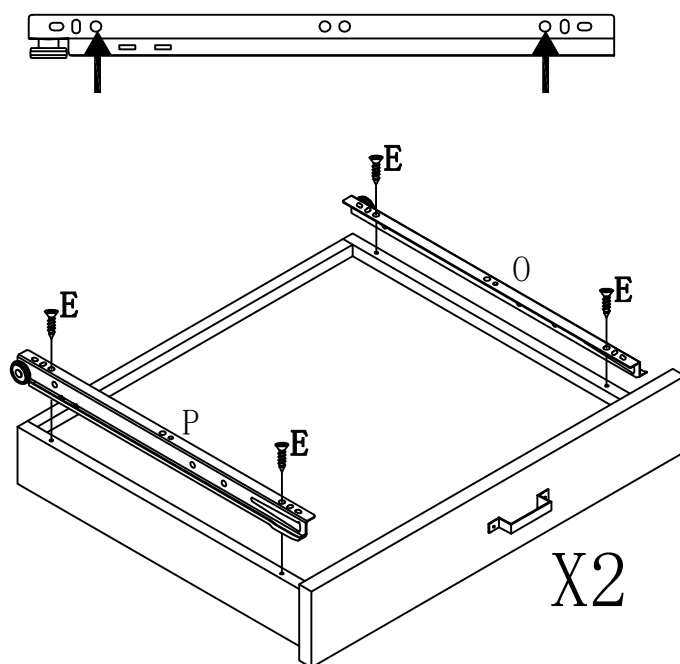
A	X8	D	X8
			
φ 6X35		φ 15X10	




STEP 16



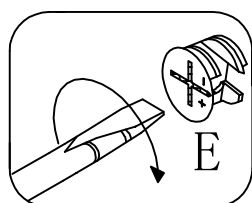
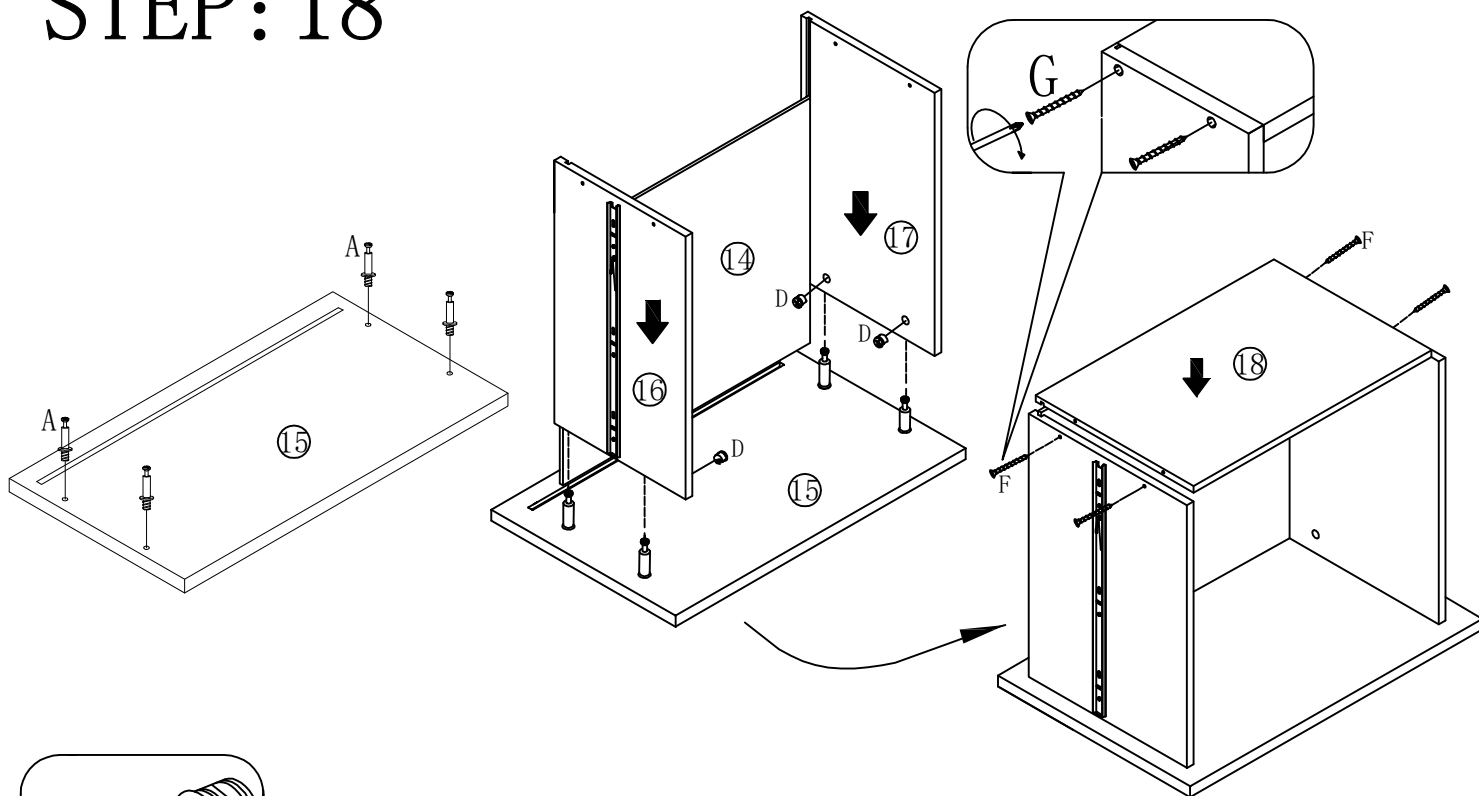
E	*4	F	*8	L	× 2
					
3.5*12mm		4*35mm		150*30*20mm	

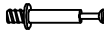

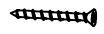
STEP: 17



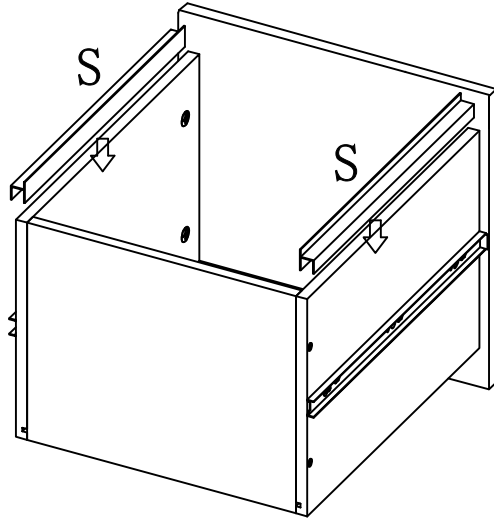
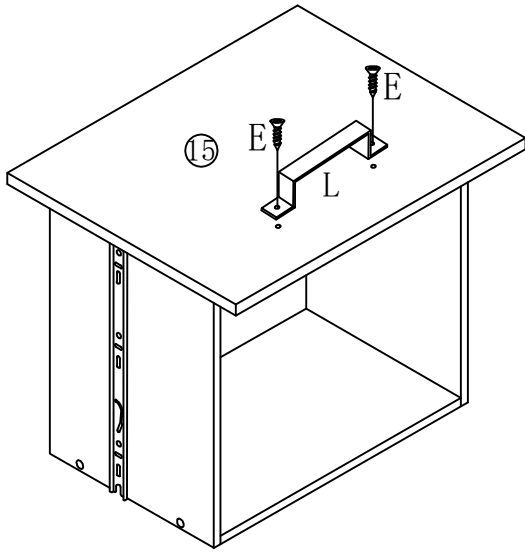
E	*8	O	×2	P	×2
					
3.5*12mm		L350mm		L350mm	

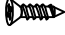


STEP: 18



A	×4	D	×4	F	×4
					
∅6*35mm		∅15*10mm		∅4*25mm	

STEP 19



E	×2	L	×1	S	×2
					
∅3.5*12mm		150*30*20mm		L336mm	

STEP 20

