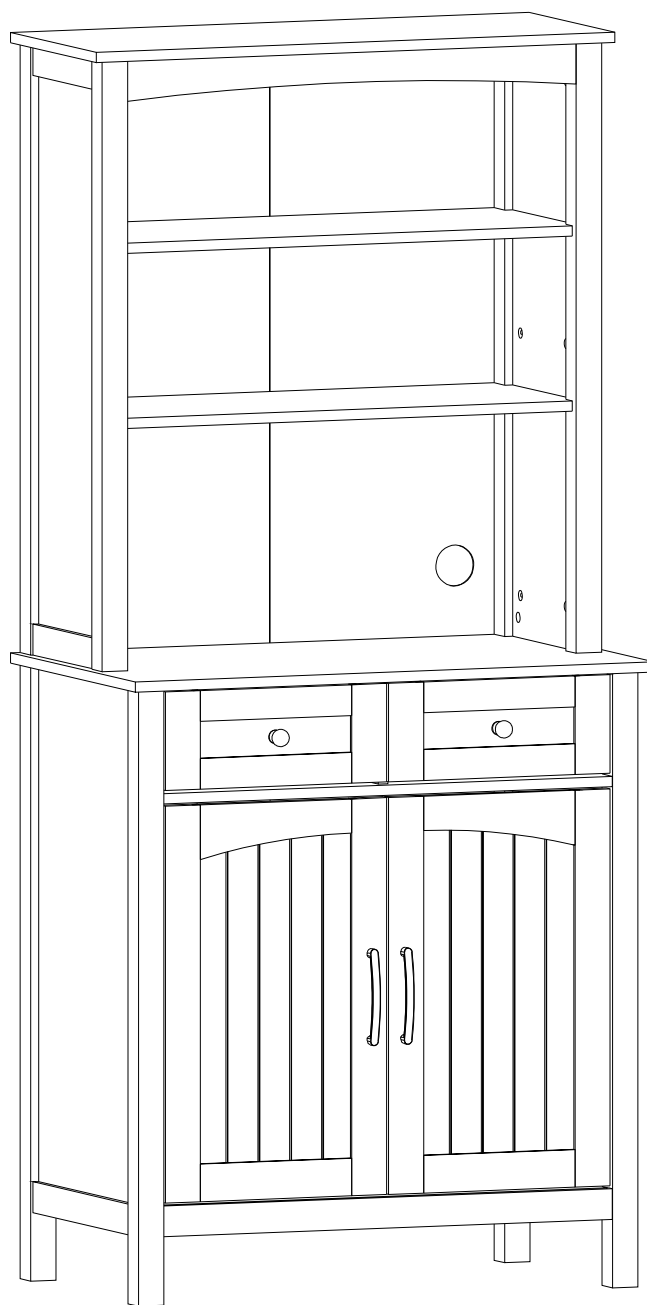
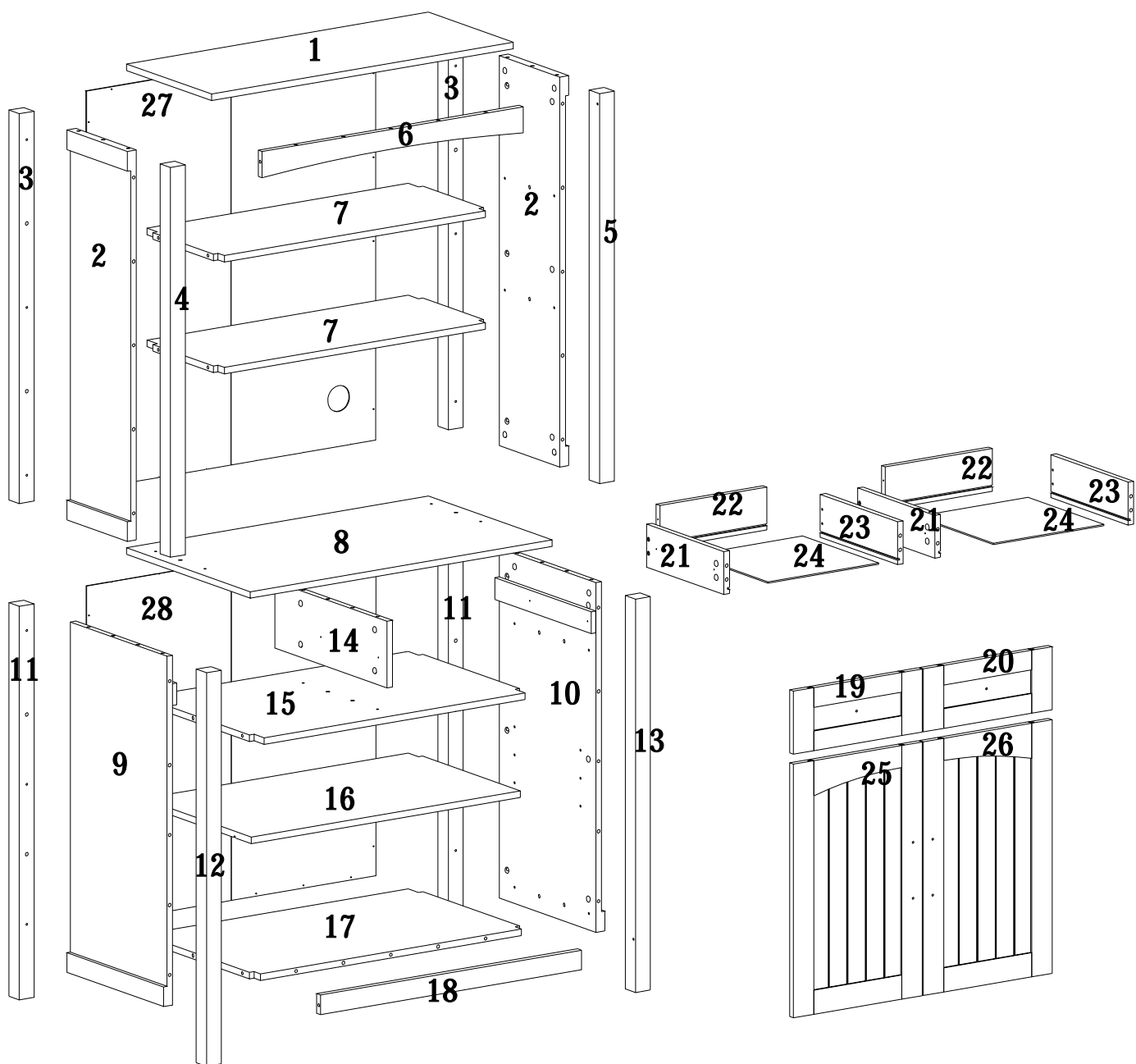















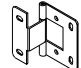
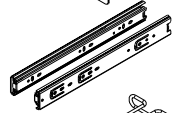
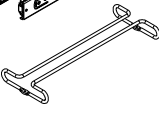

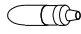

# ASSEMBLY INSTRUCTIONS



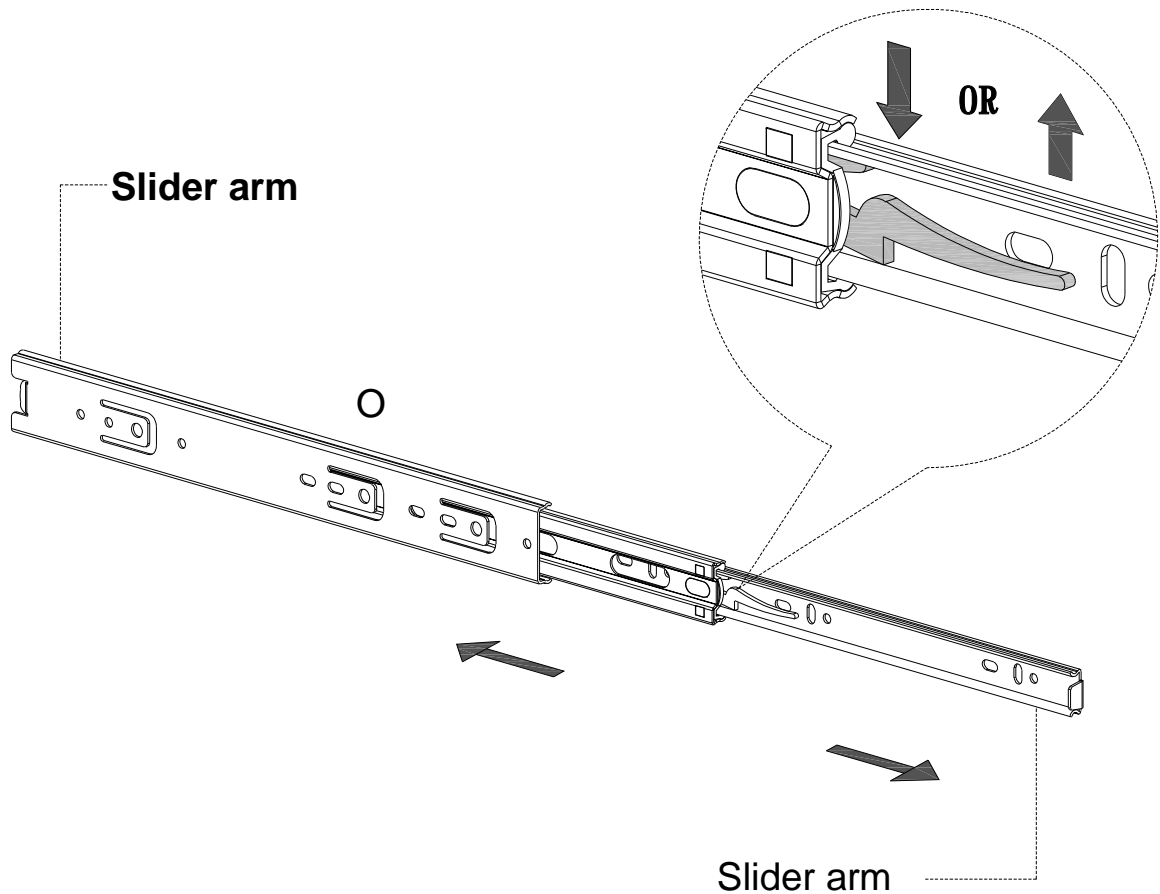
# Parts List



# Hardware List

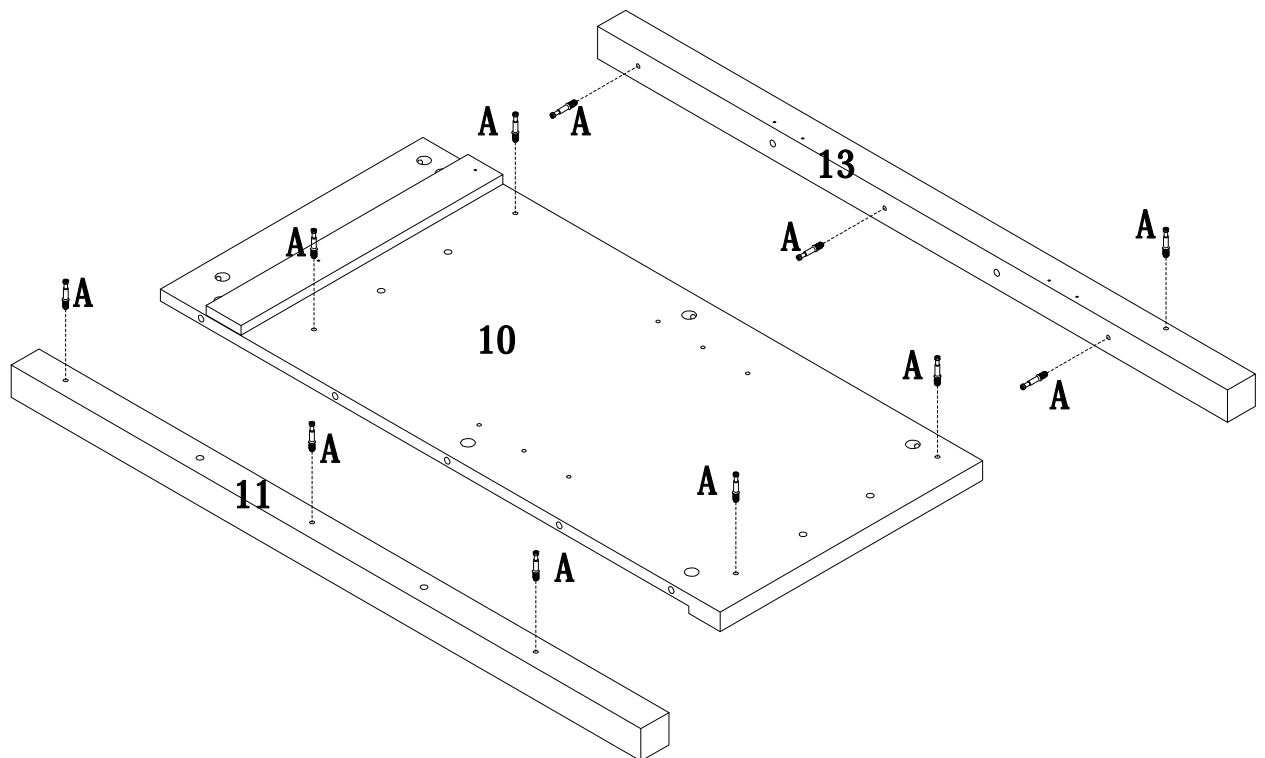
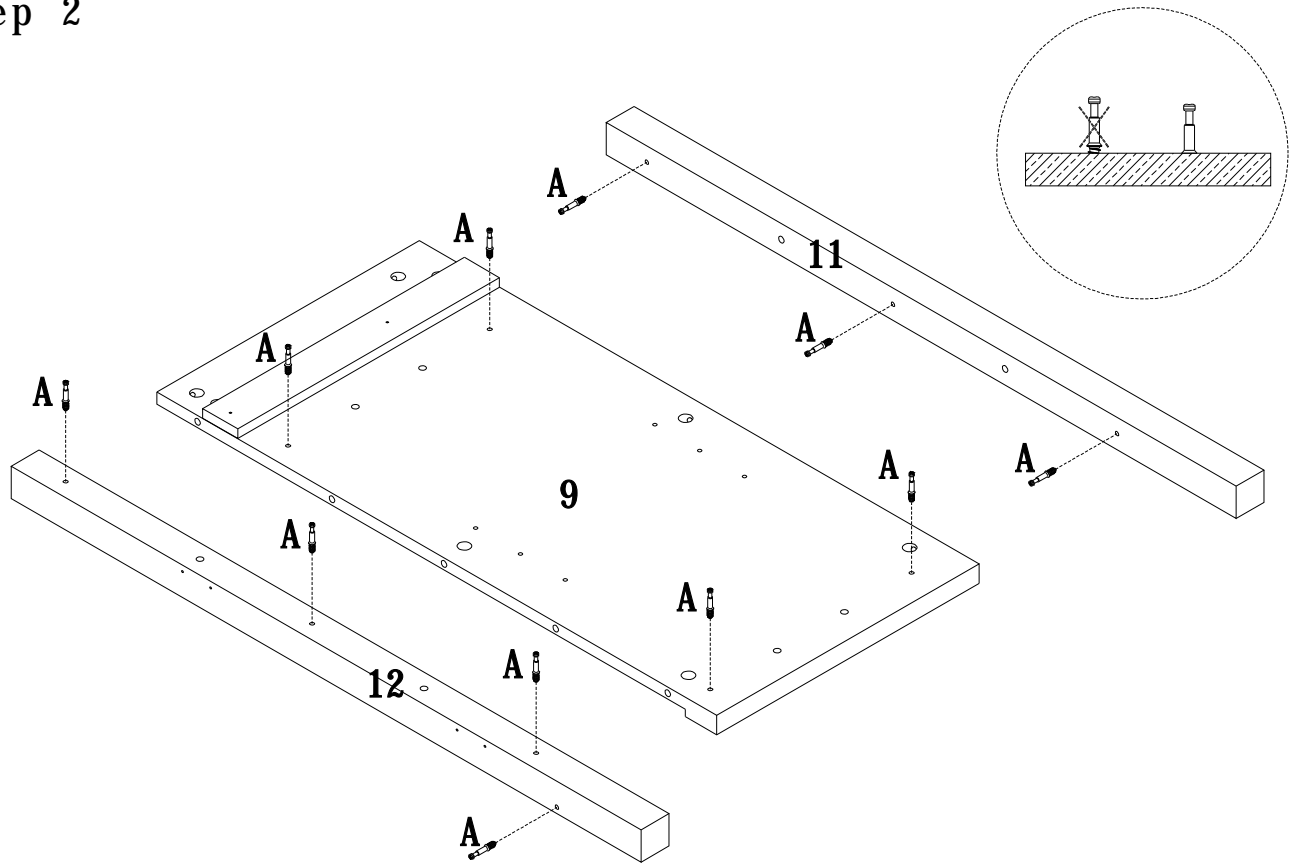
A		$\phi 5 * 25 \text{mm}$	Bolt	74 pcs
B		$\phi 15 * 12 \text{mm}$	Nut	74 pcs
C		$\phi 8 * 30 \text{mm}$	Wood Dowel	44 pcs
D		$\phi 5 * 16 \text{mm}$	Shelf Support	4 pcs
E			Magnet	1 pcs
F			Iron Sheet	2 pcs
G		$\phi 4 * 16 \text{mm}$	Screw	38 pcs
H		$\phi 3.5 * 16 \text{mm}$	Screw	50 pcs
I		$\phi 4 * 32 \text{mm}$	Bolt	8 pcs
J			Handle	2 pcs
K			Handle	2 pcs
L		M4*15	Bolt	2 pcs
M		M4*20	Bolt	4 pcs
N			Door hinge	4 pcs
O			Drawer slider	2 pcs
P			Wine cup holder	2 pcs
Q		$\phi 25 \text{mm}$	Stiker	74 pcs
R			Glue	1 pc
S			Anti-Tipping Kit	2 sets

## Step 1

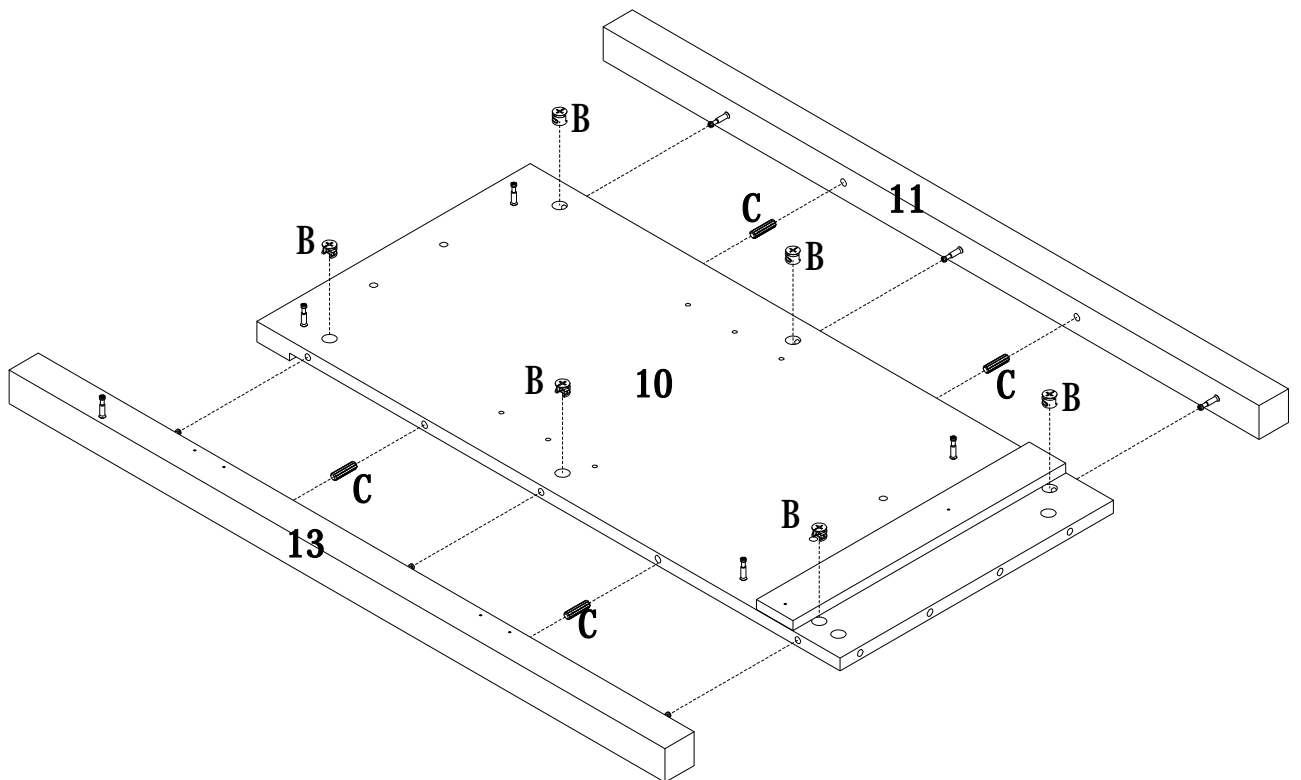
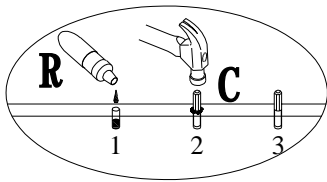
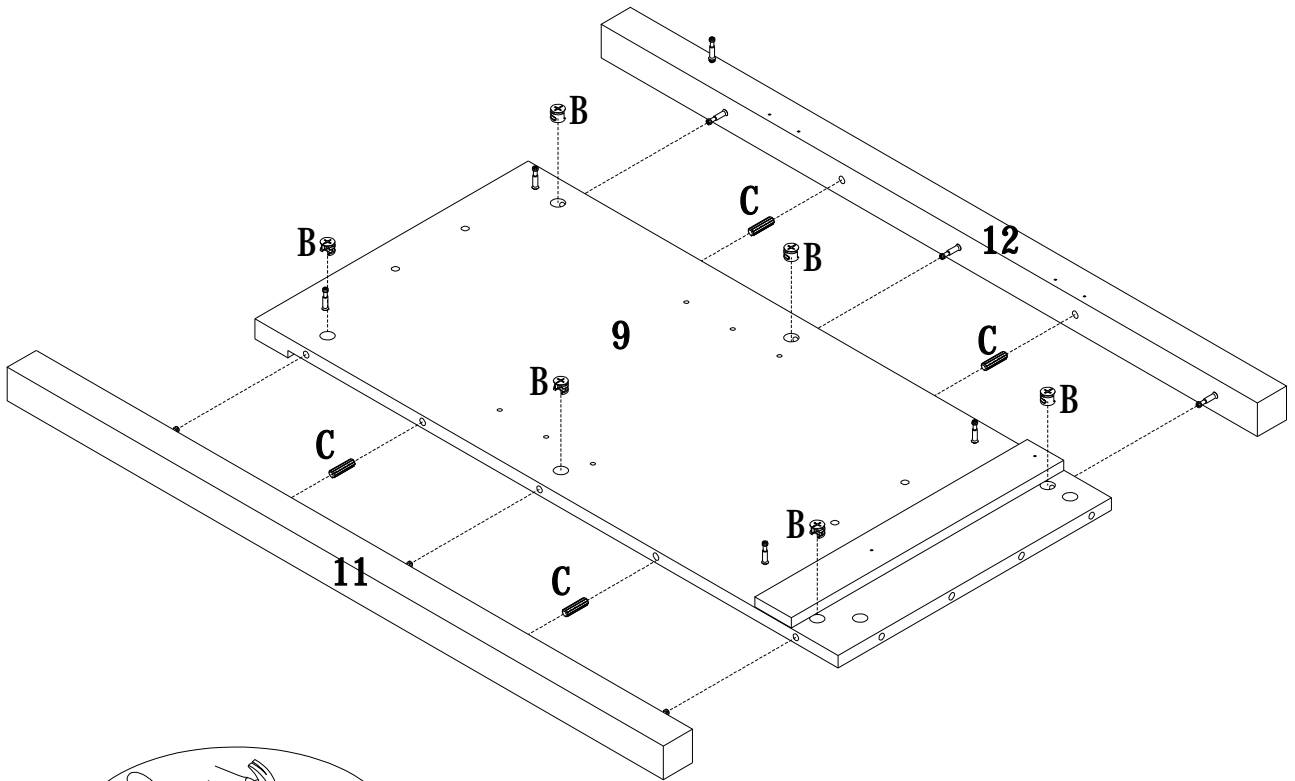
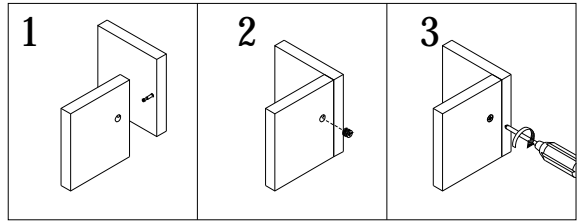


Disassemble drawer slider (O) by sliding the slider arm and slider bracket apart. Press the small lever of the slider bracket and carefully pull the two pieces apart. Repeat this process for both drawer sliders (O).

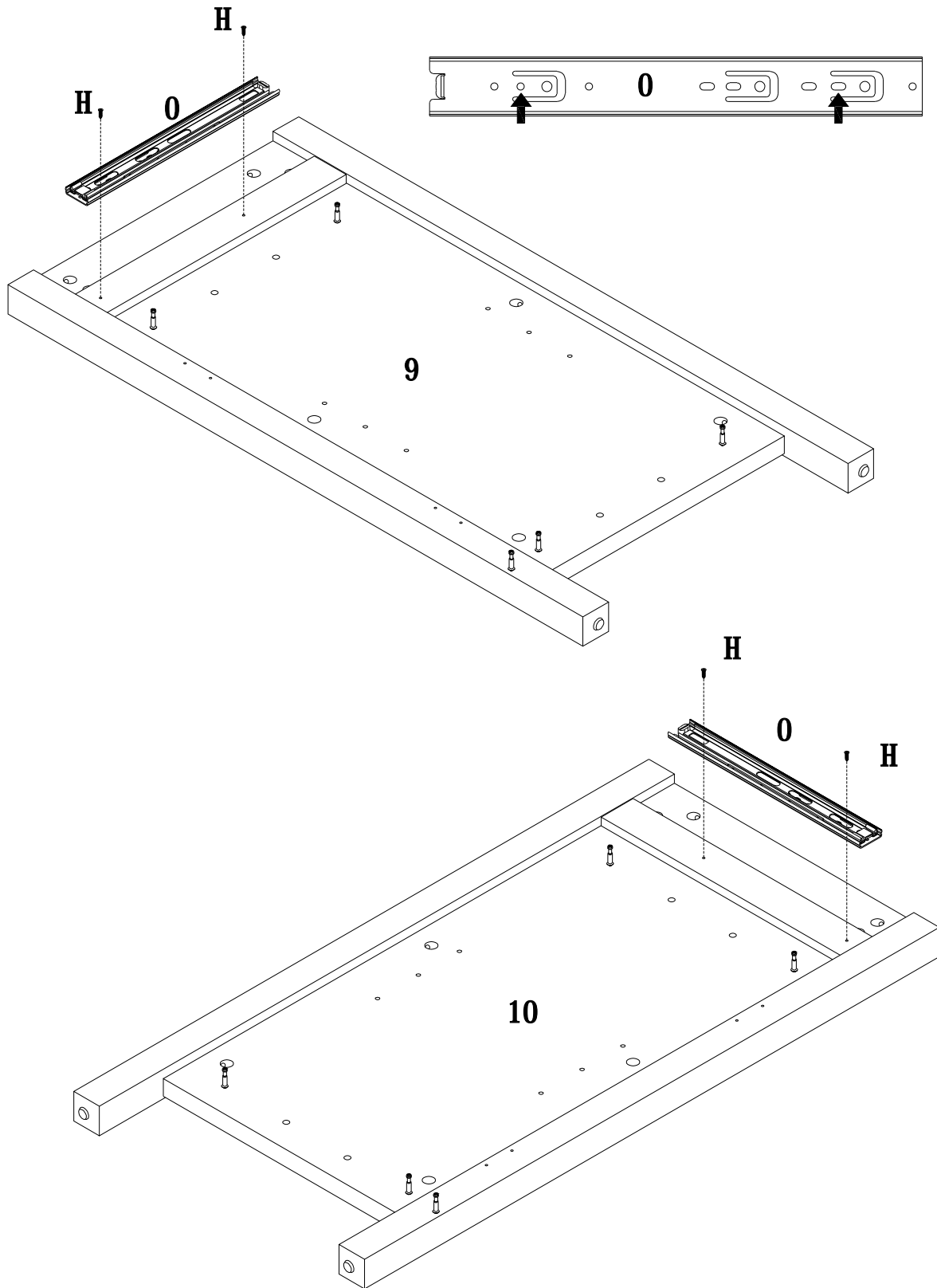
# Step 2



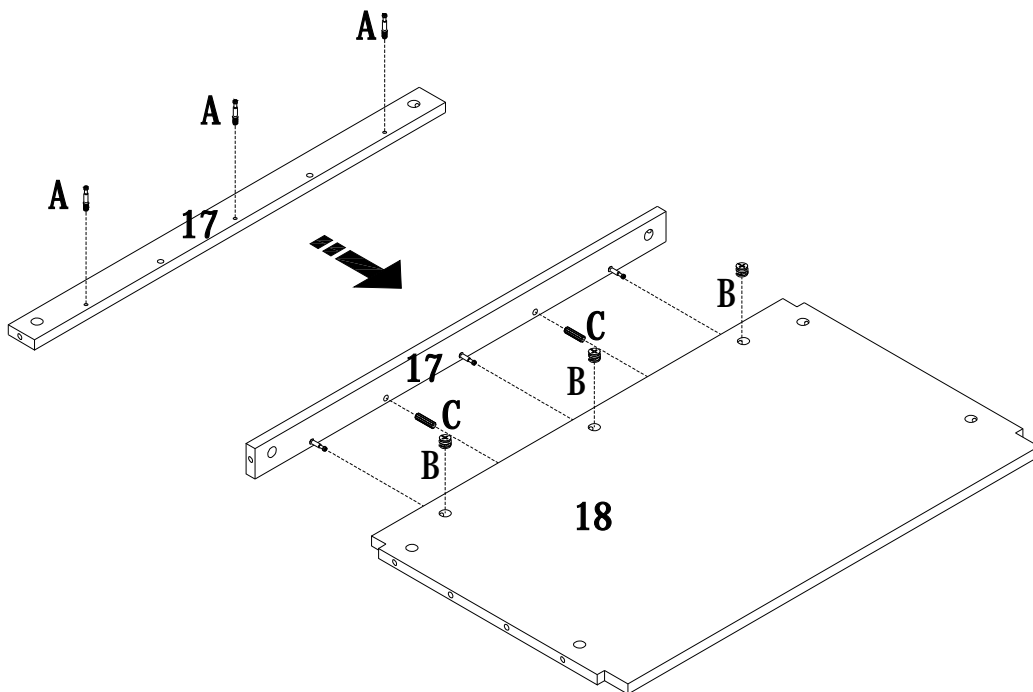
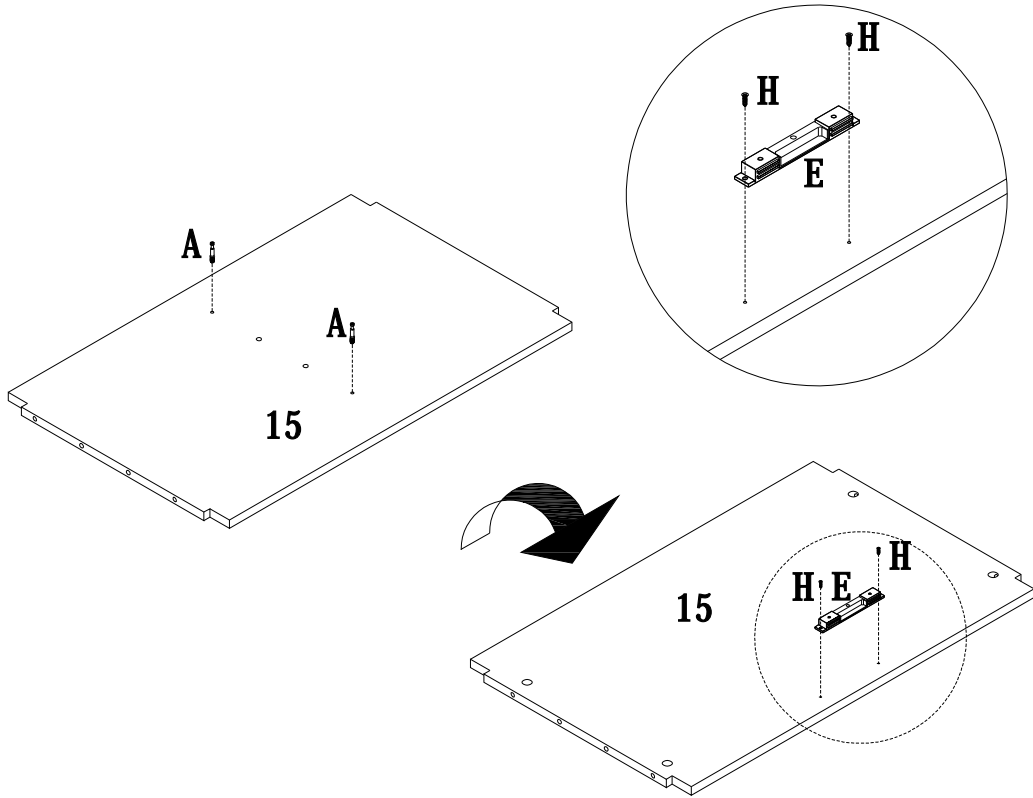
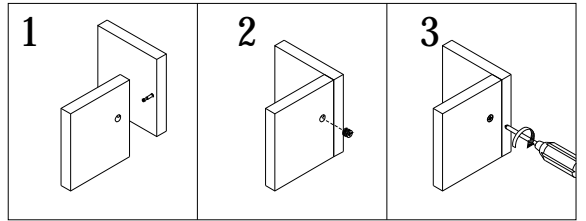
# Step 3



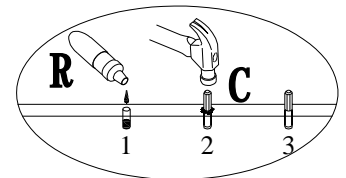
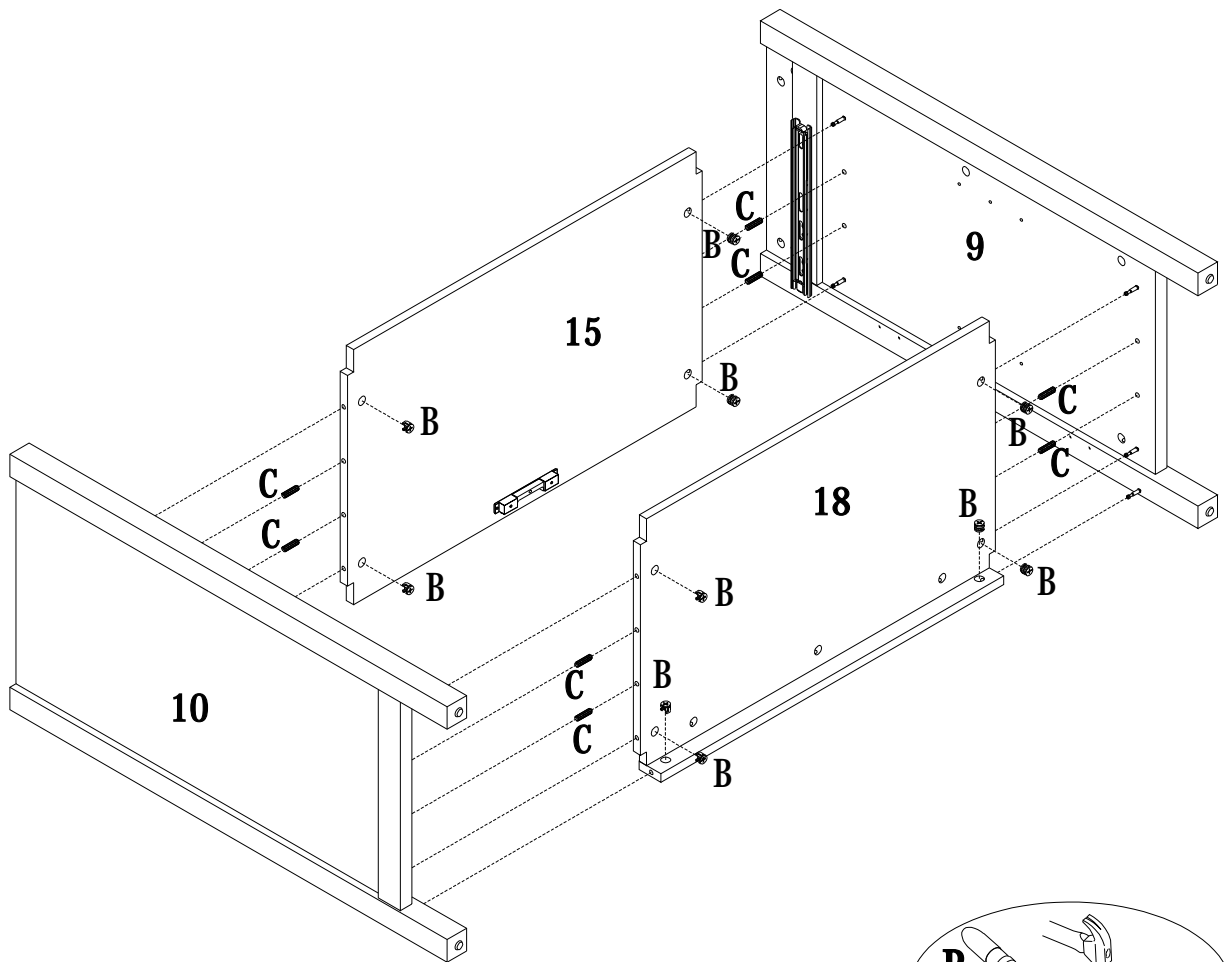
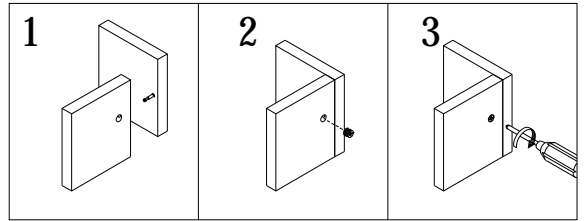
# Step 4



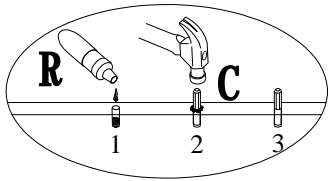
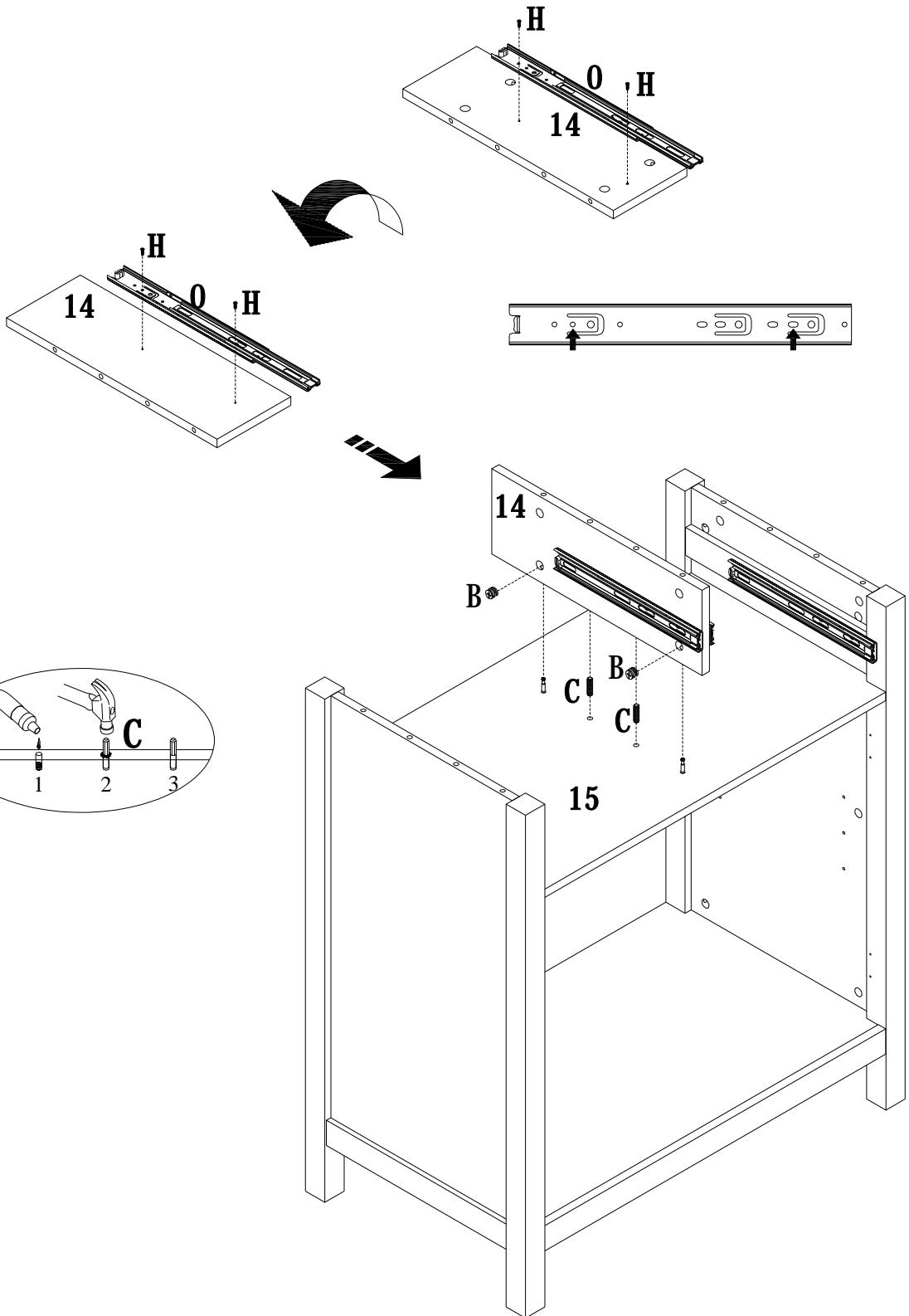
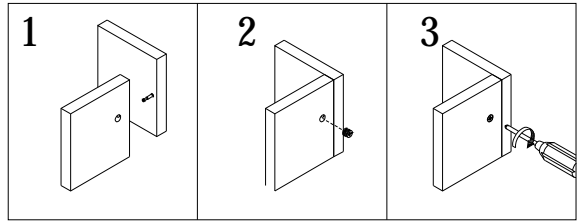
# Step 5



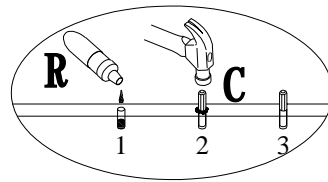
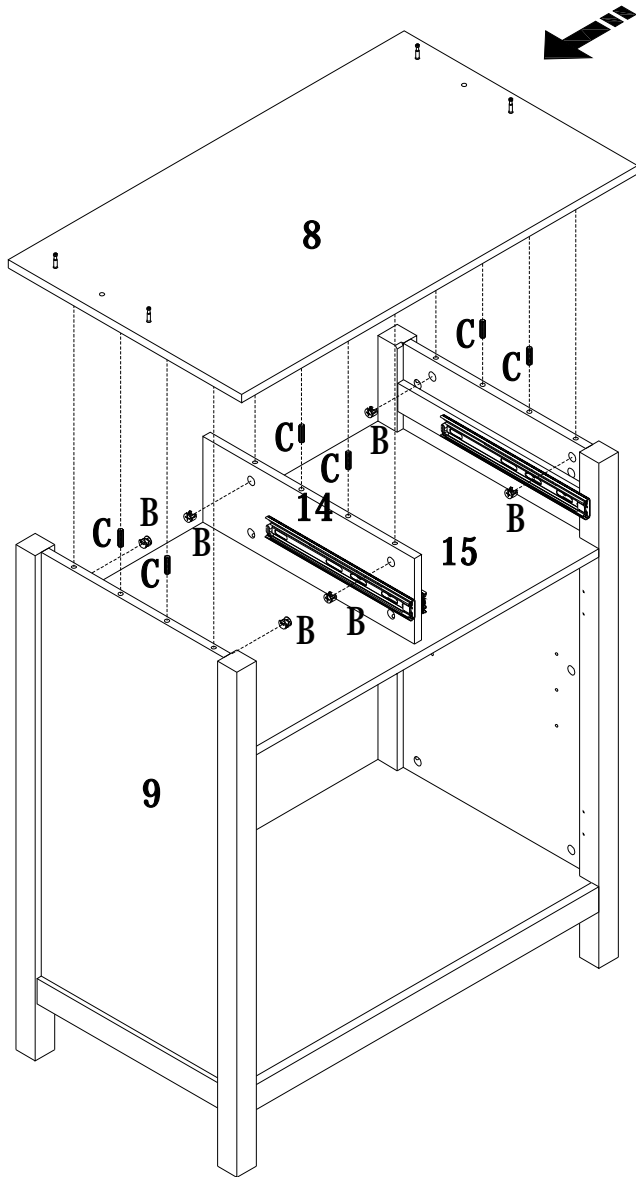
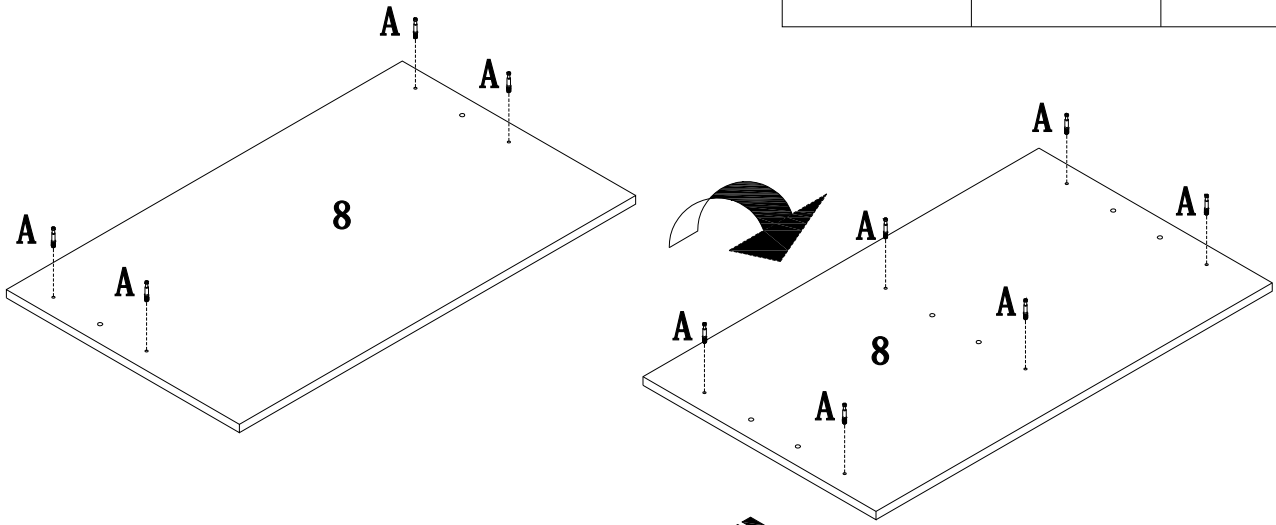
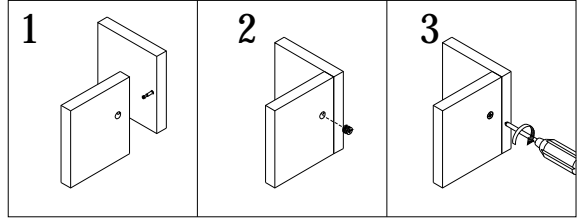
# Step 6



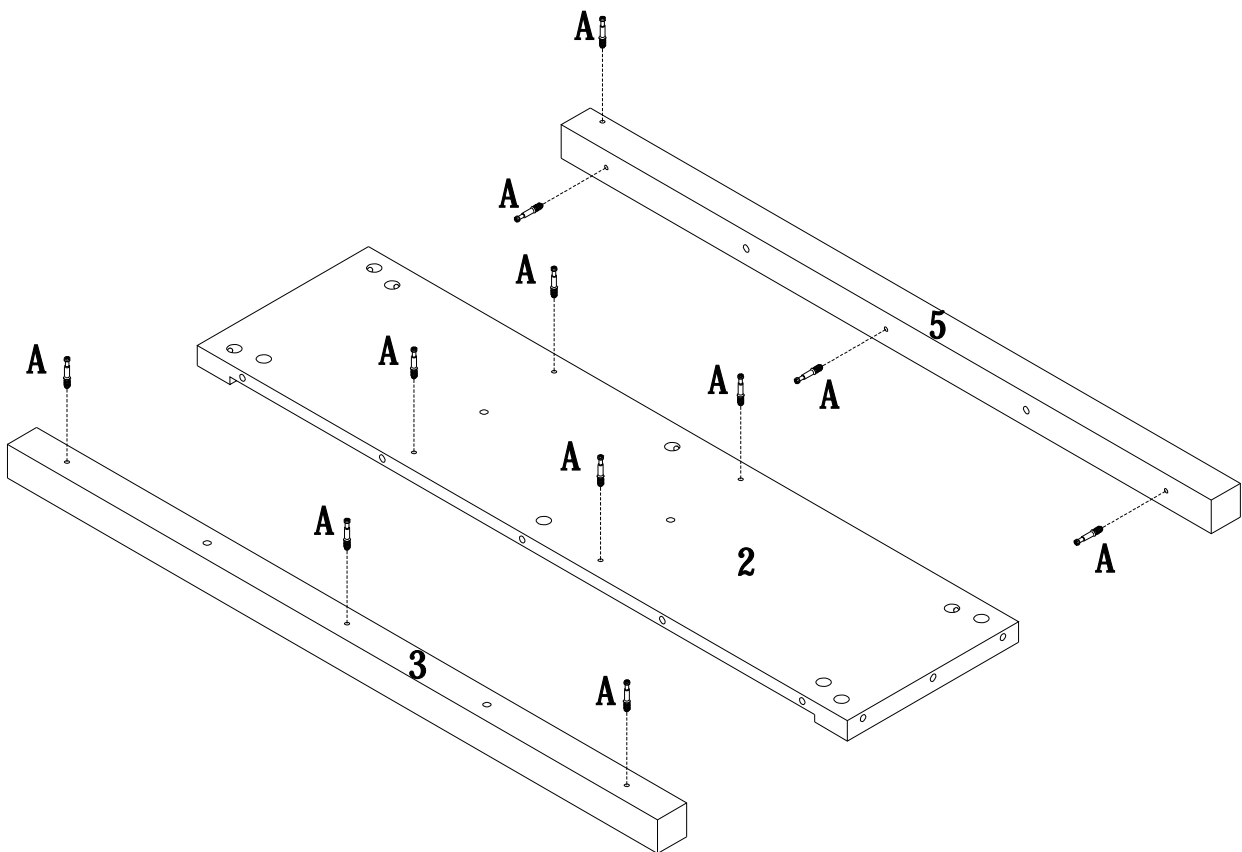
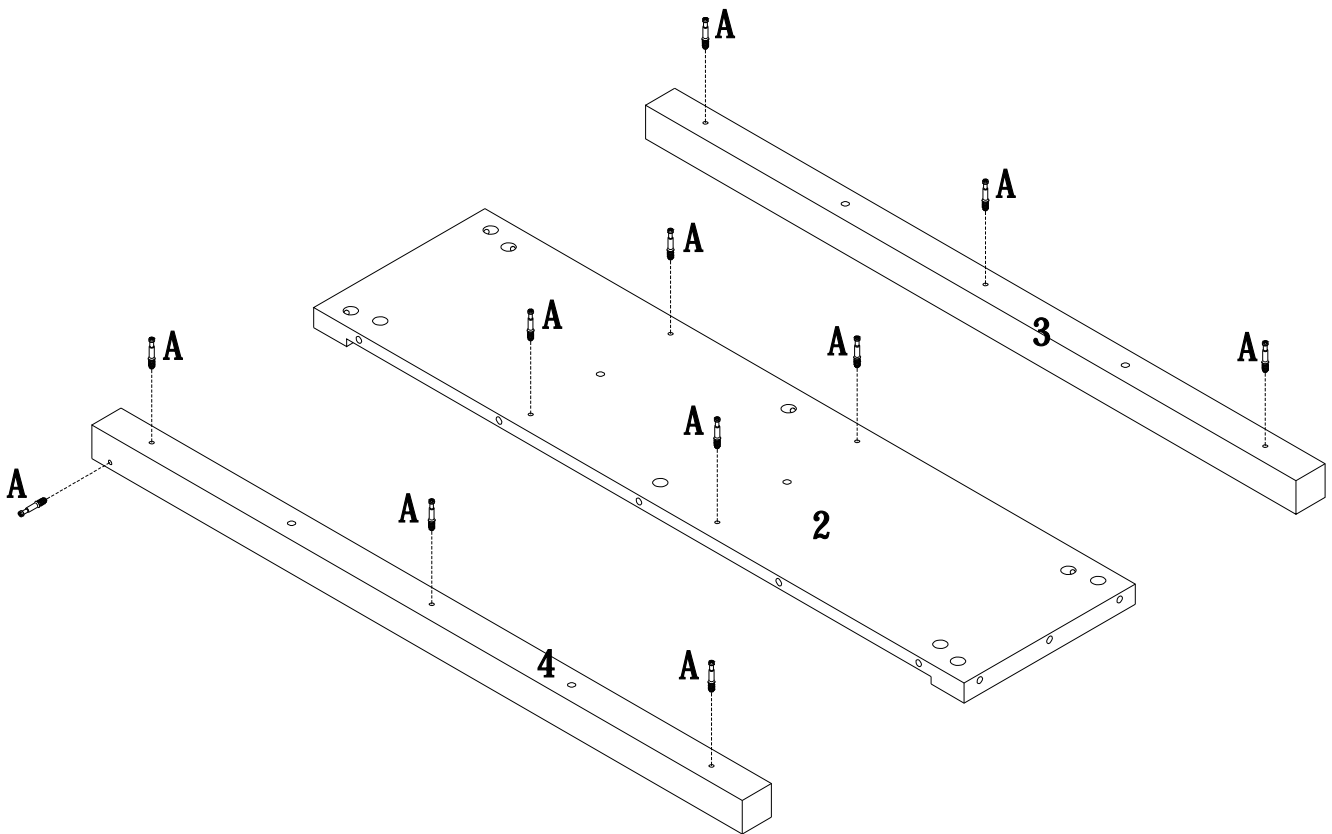
# Step 7



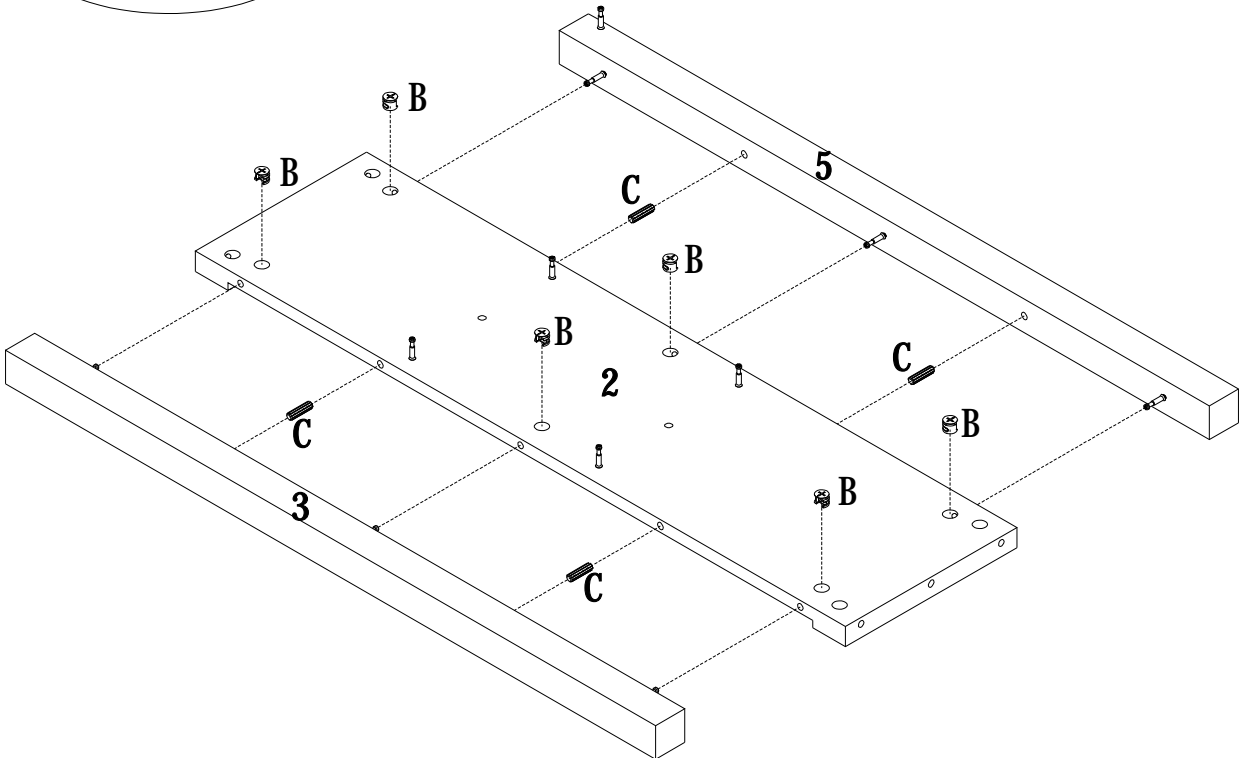
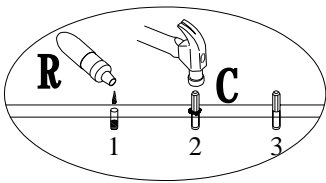
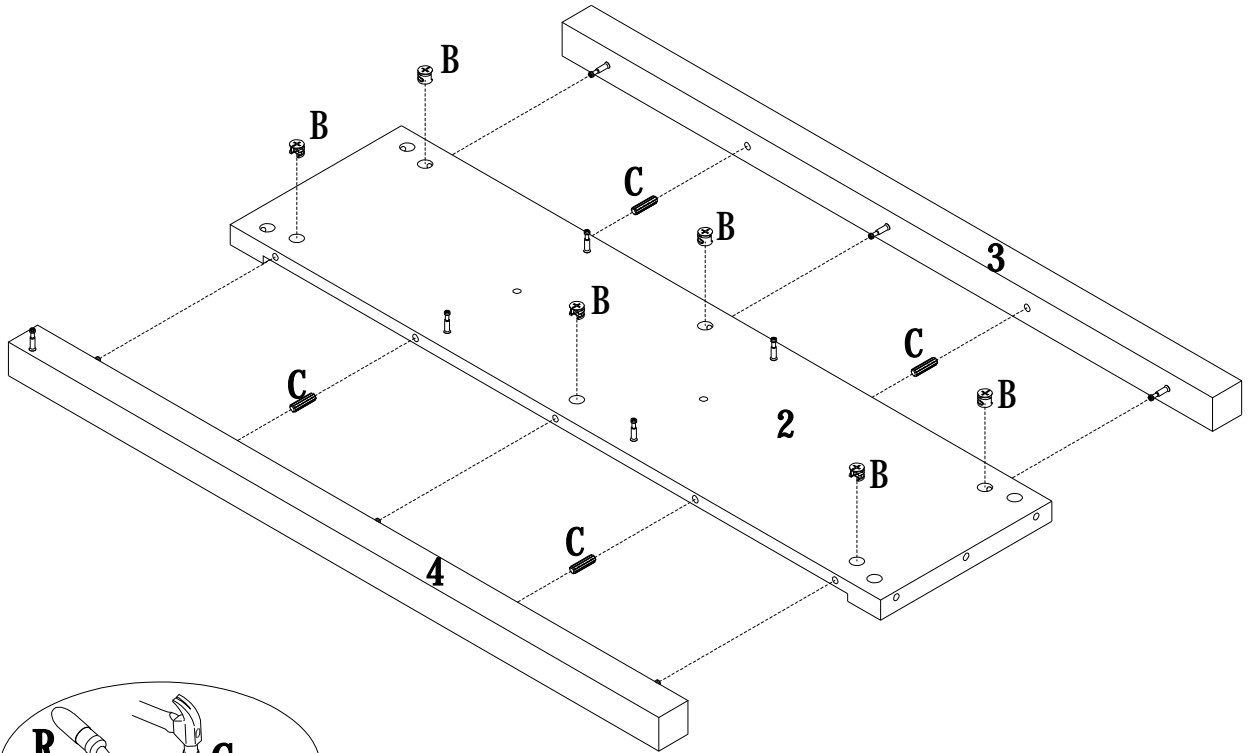
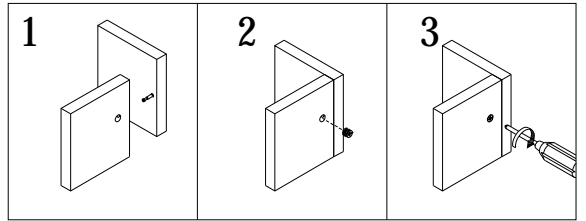
# Step 8



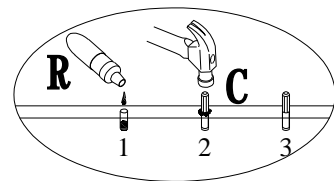
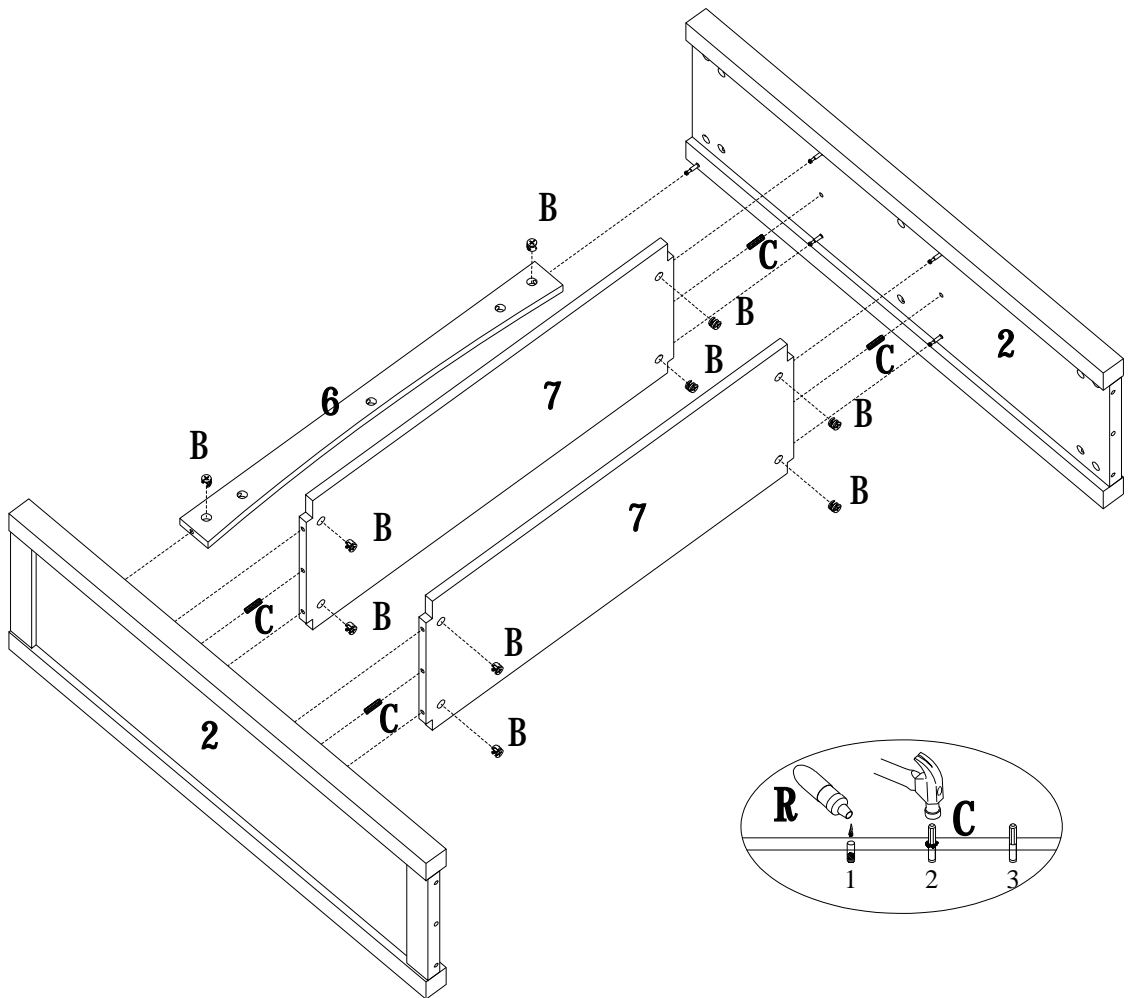
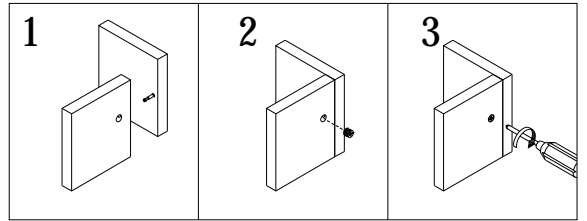
# Step 9



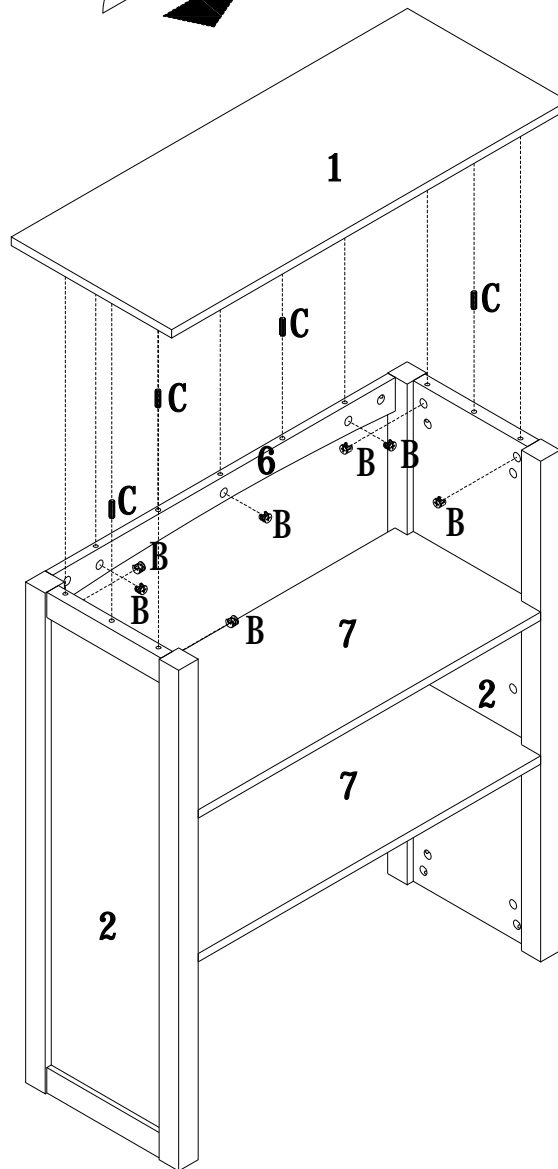
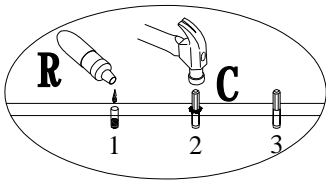
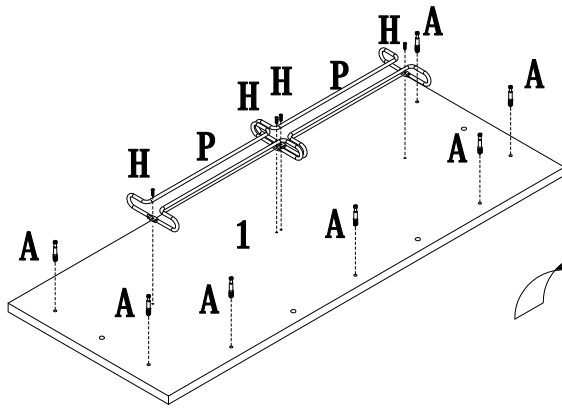
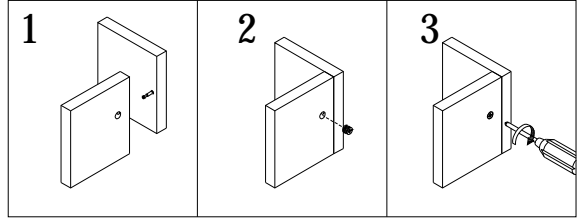
# Step 10



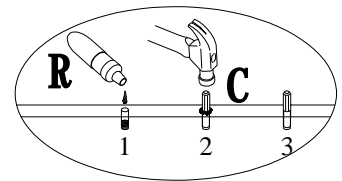
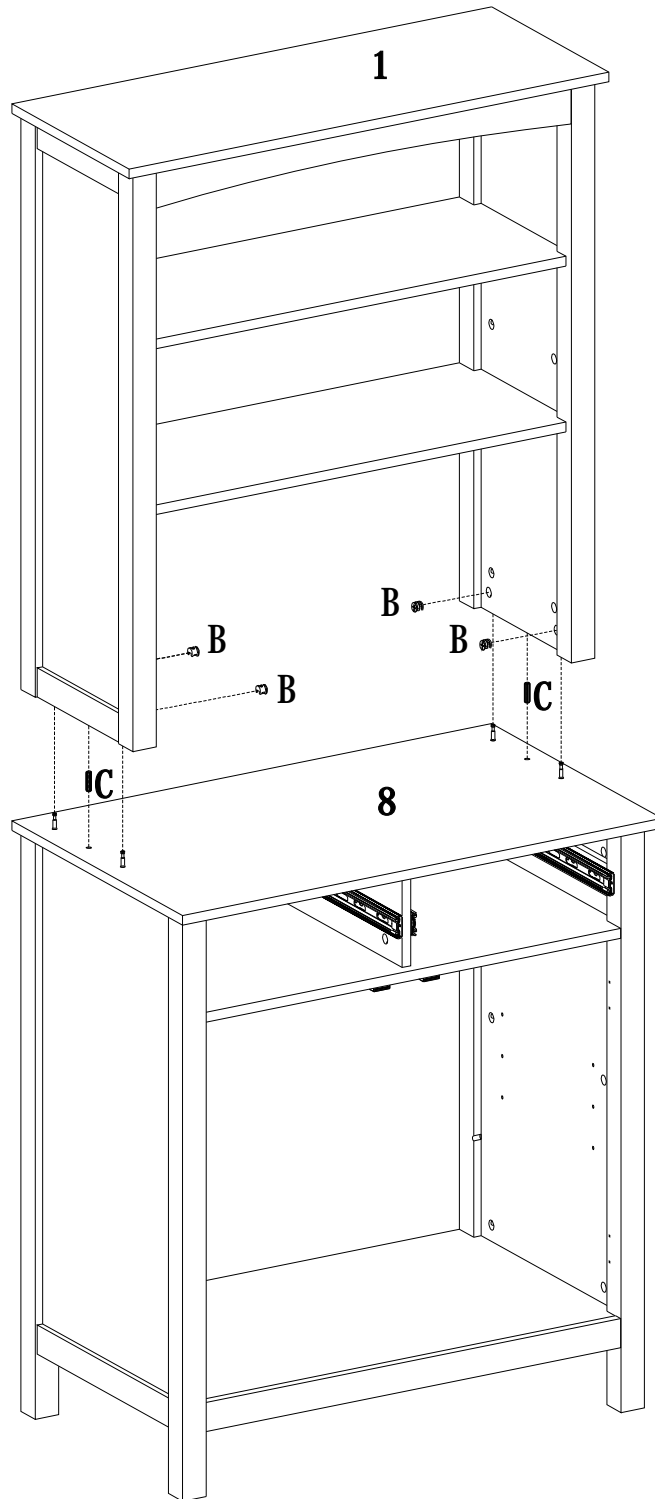
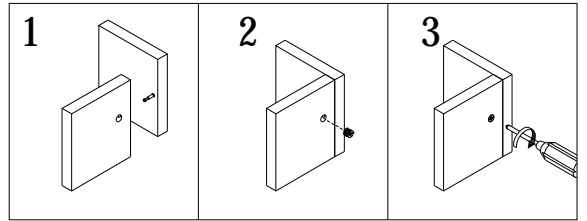
# Step 11



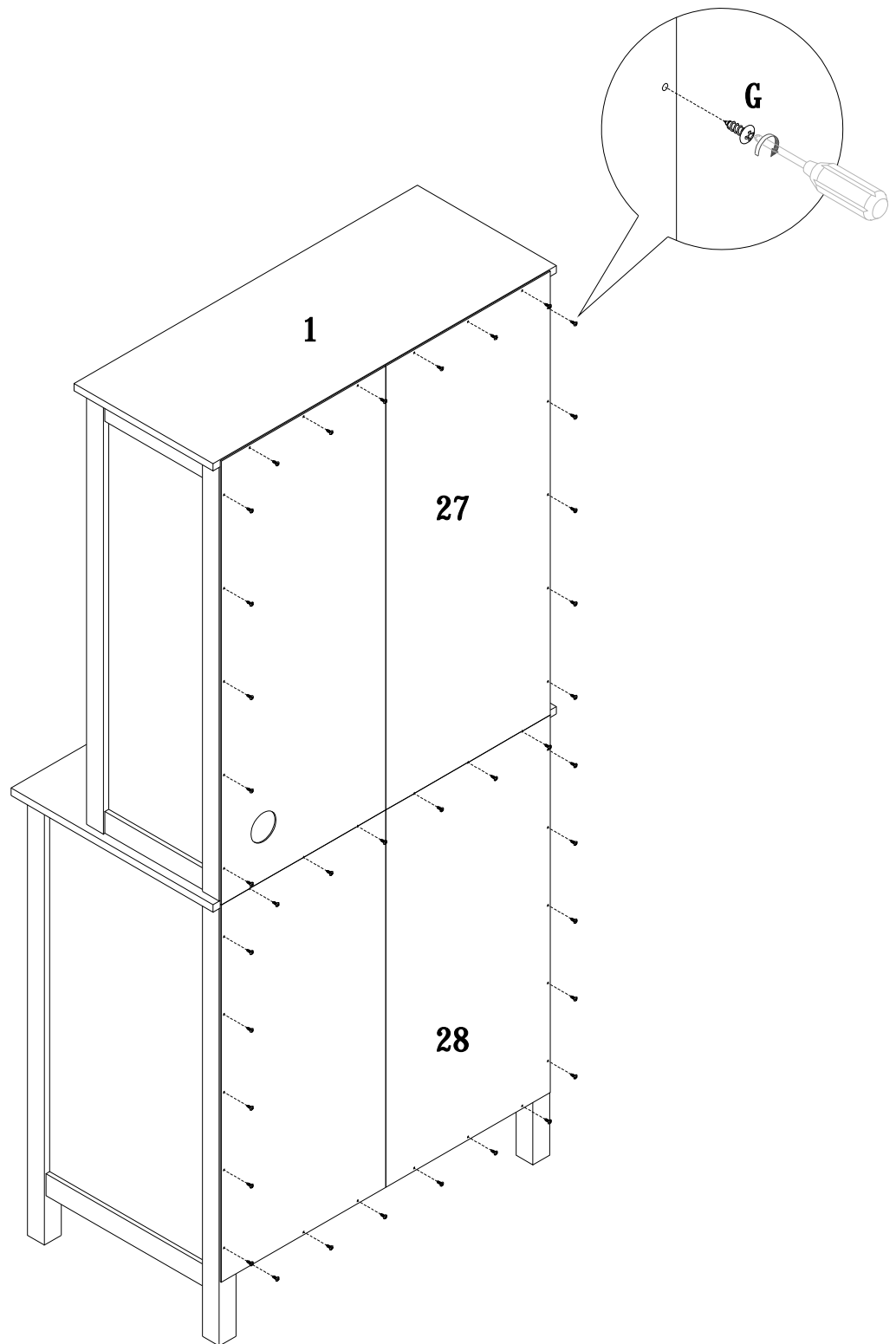
# Step 12



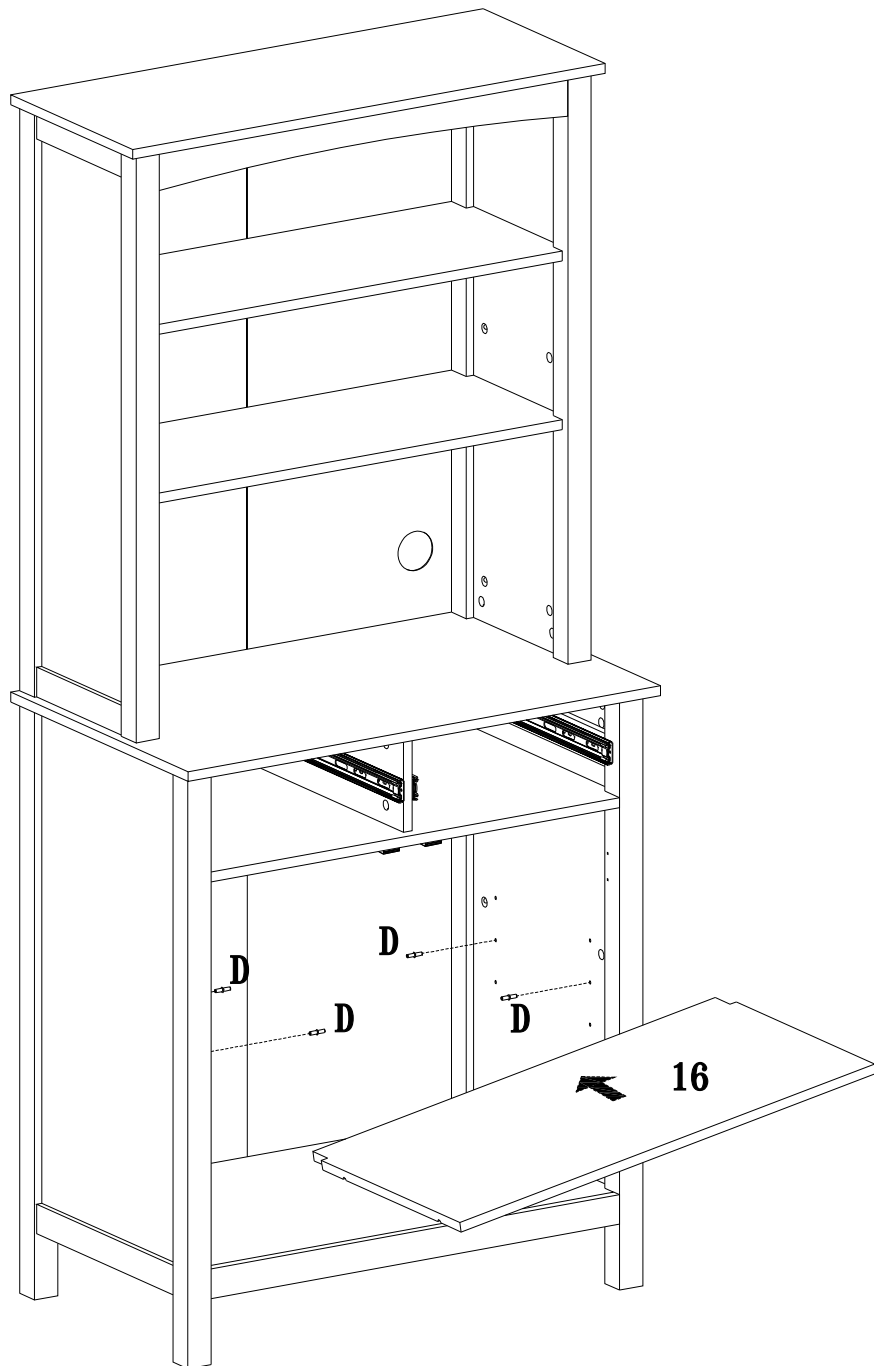
# Step 13



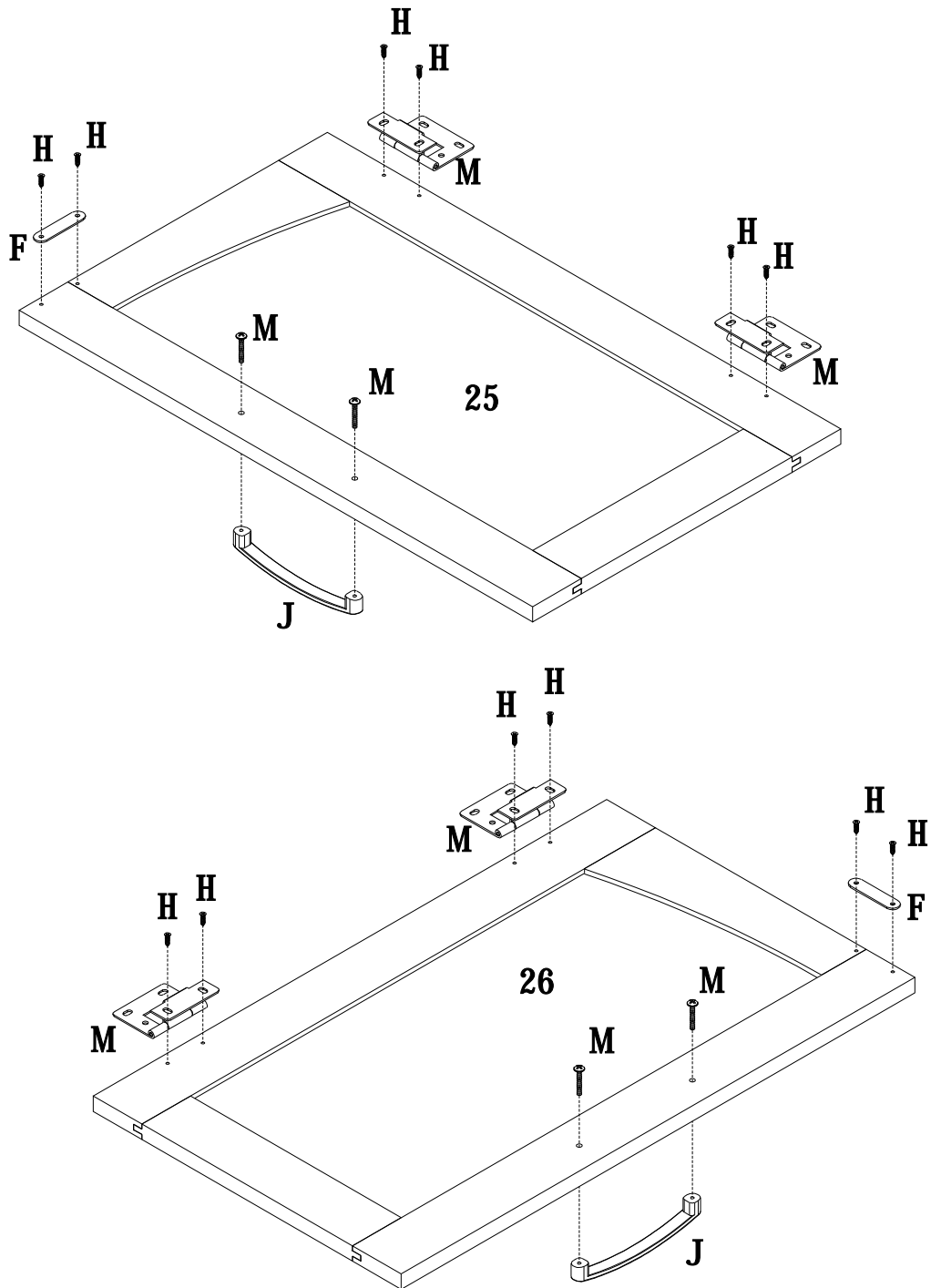
# Step 14



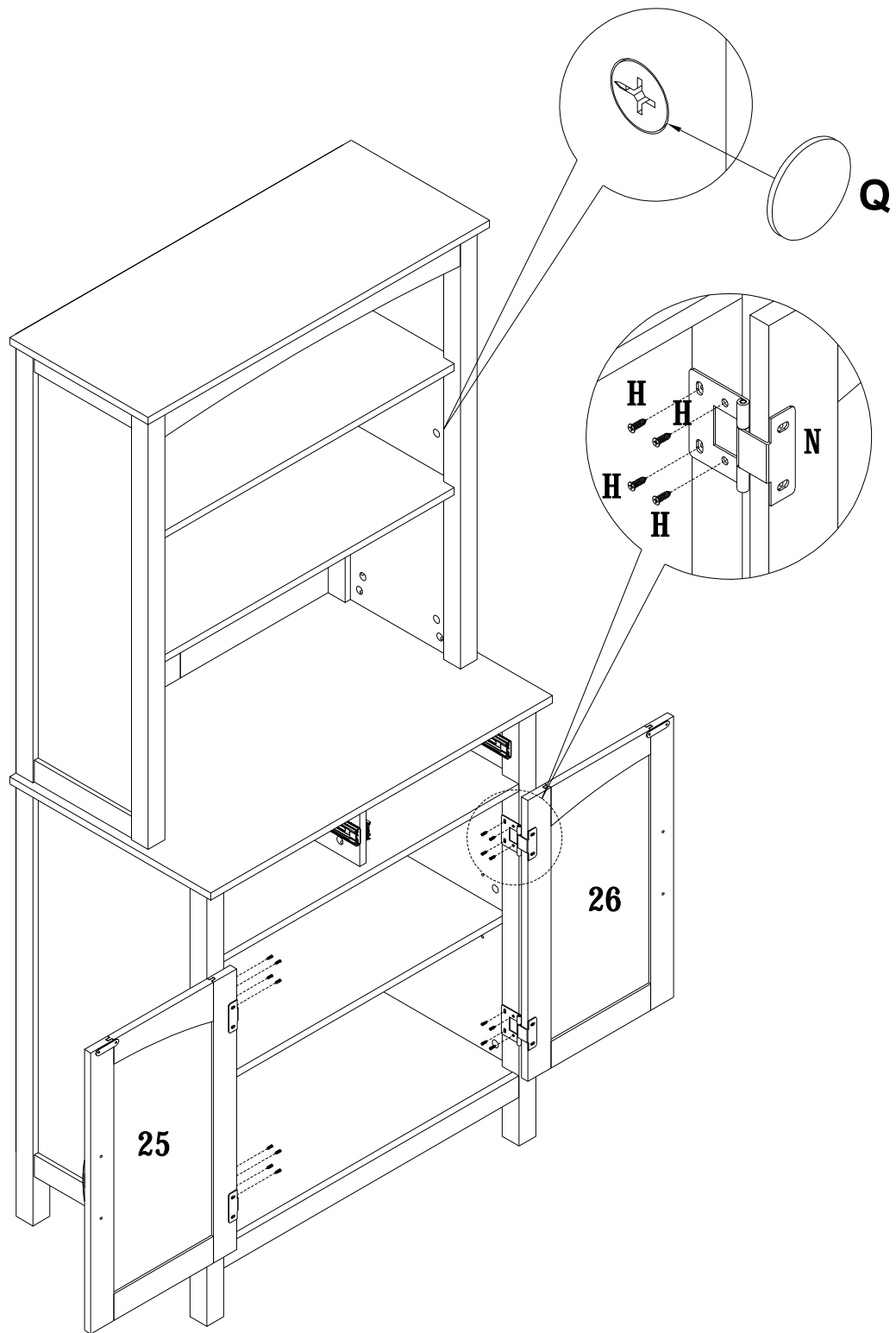
# Step 15



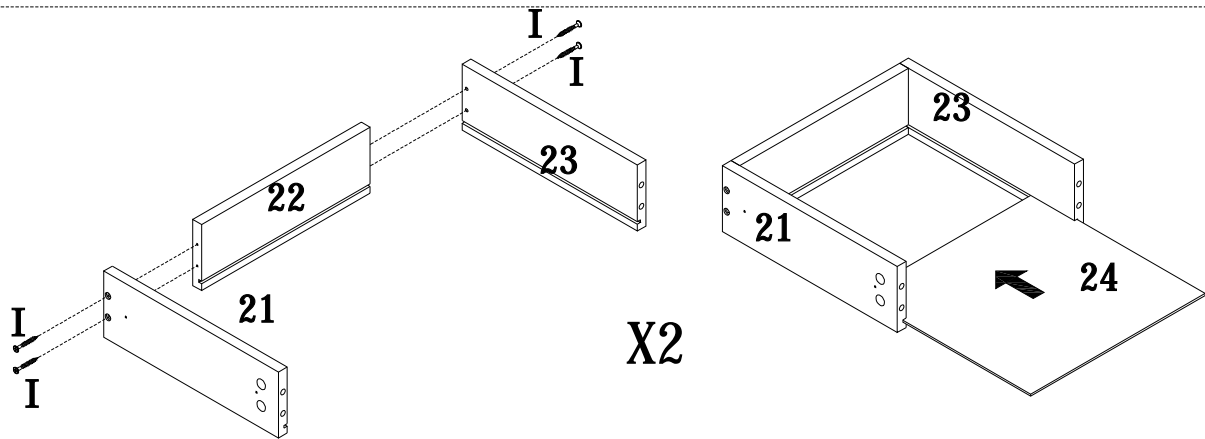
# Step 16



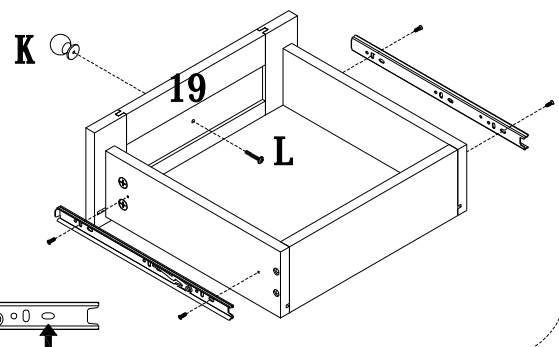
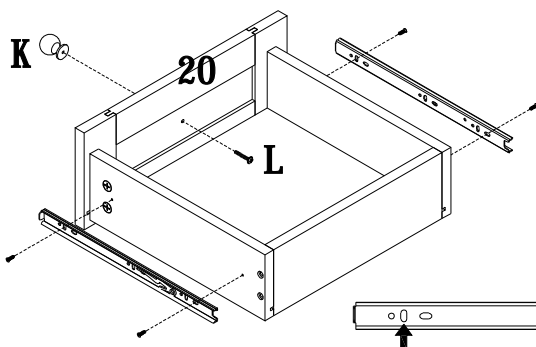
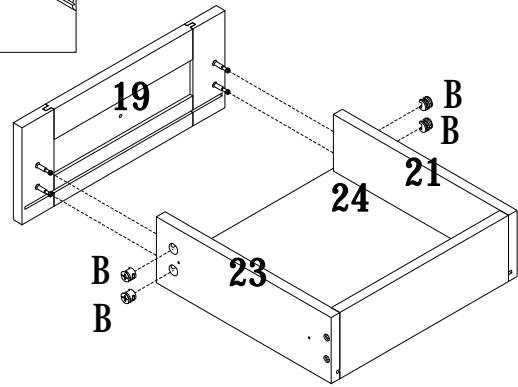
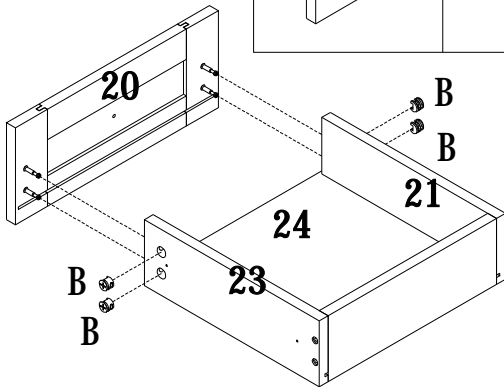
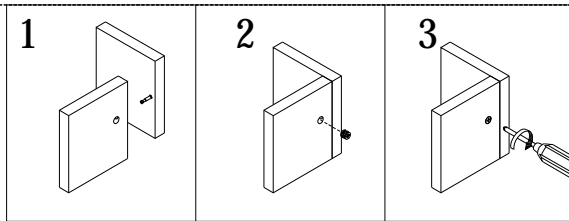
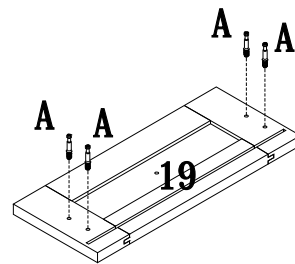
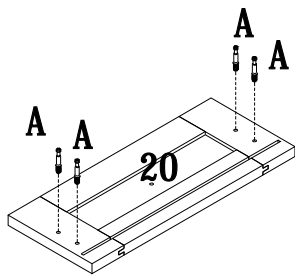
# Step 17



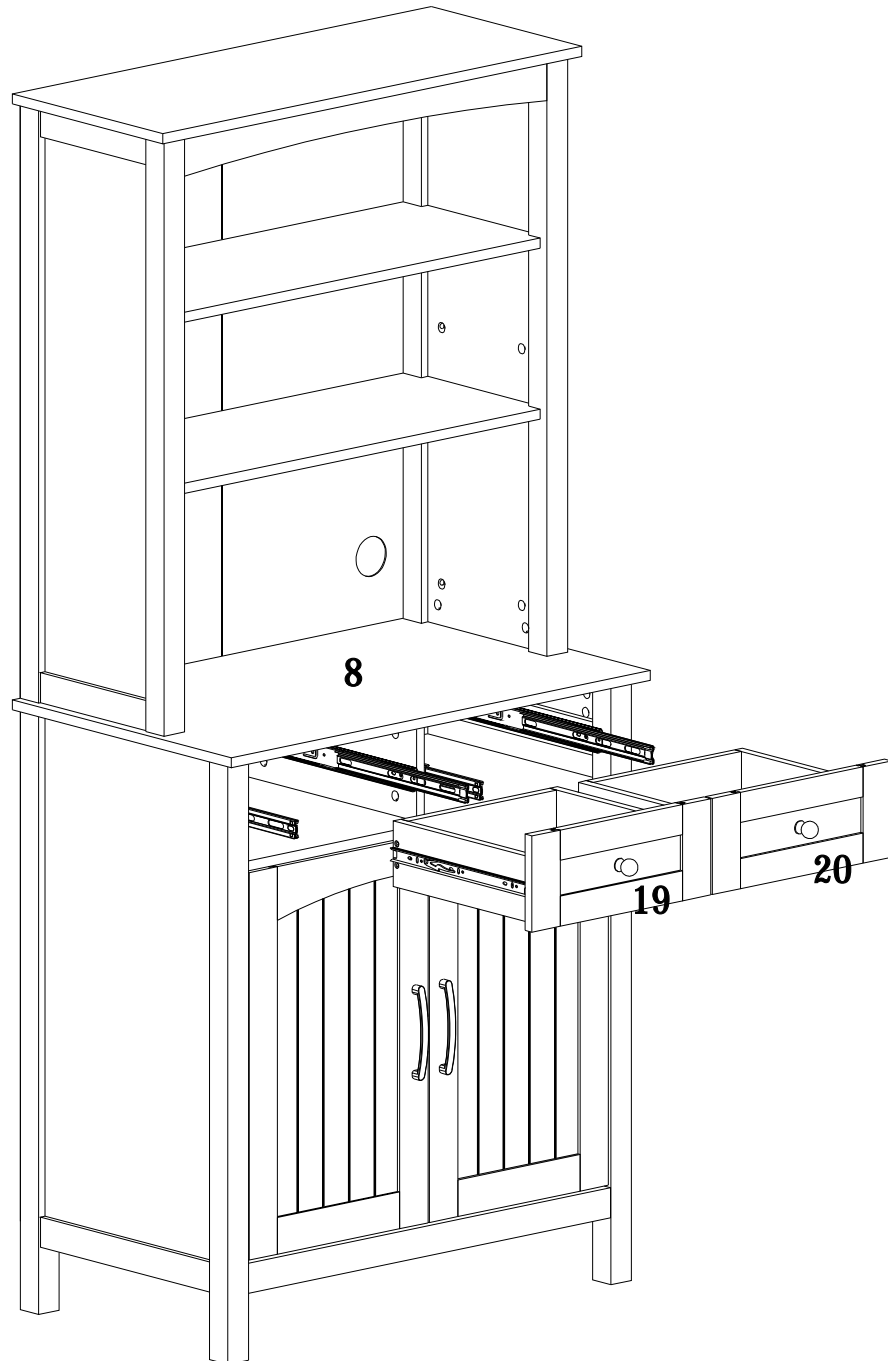
# Step 18



X2



# Step 19



Step 20

