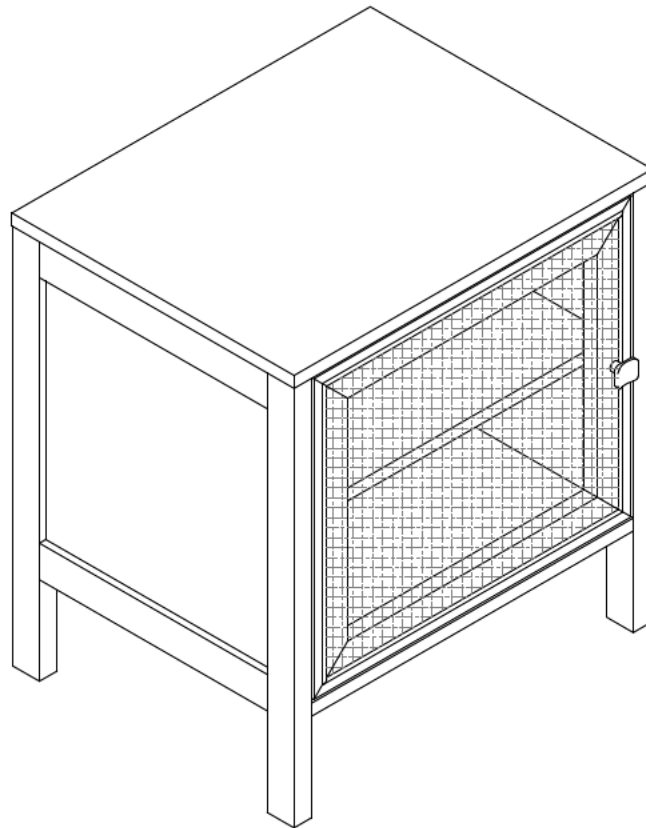


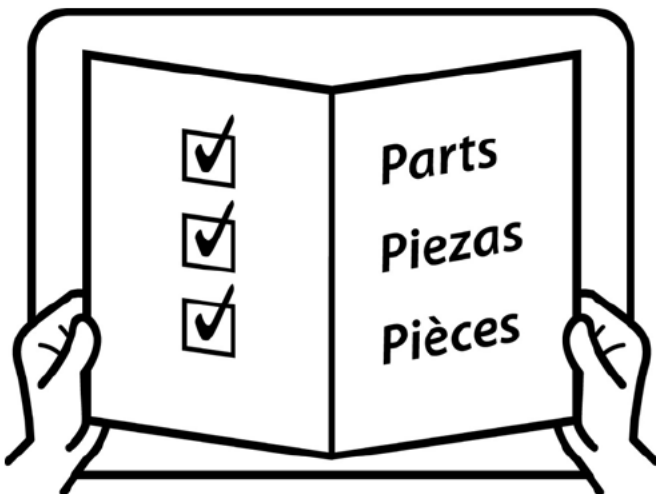
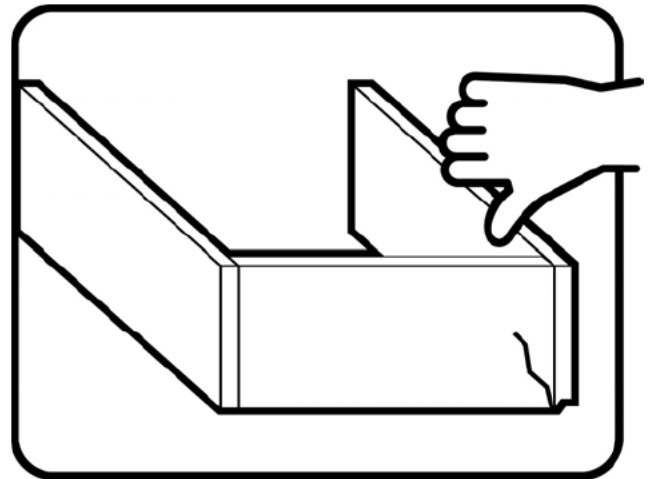
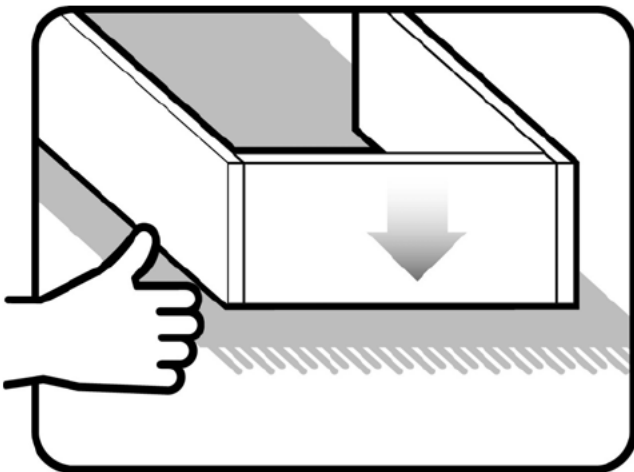
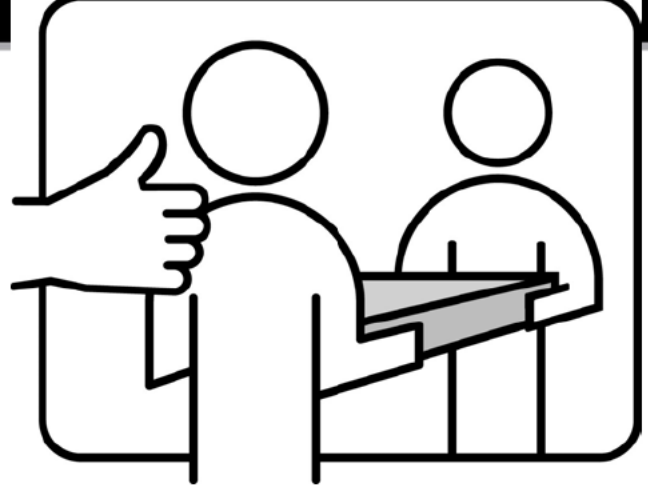
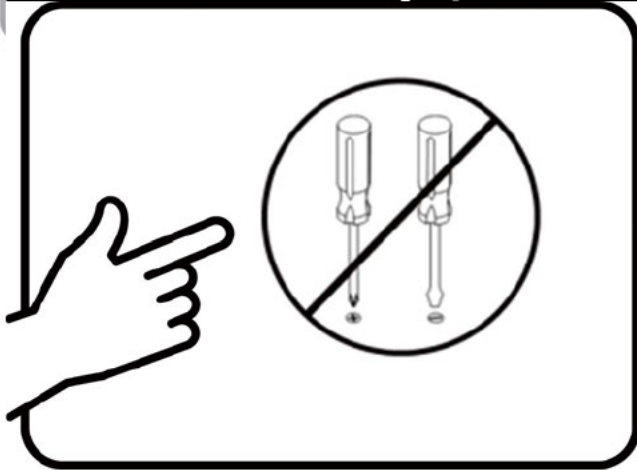
Assembly | Asambla | Assemblage



Product number | Número de producto | Numéro de produit

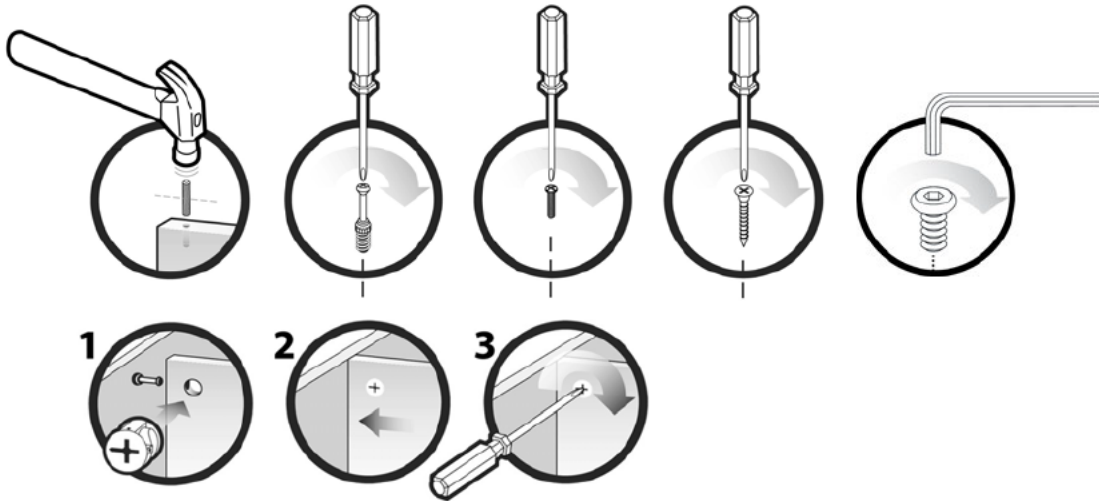
Thank you for your purchase! | ¡Gracias por tu compra! | Merci pour votre achat!

Assembly | Asambllea | Assemblage



Assembly | Asamblea | Assemblage

Techniques | Técnicas | Techniques



Care | Cuidado | Entretien



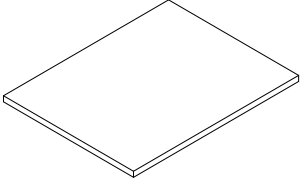
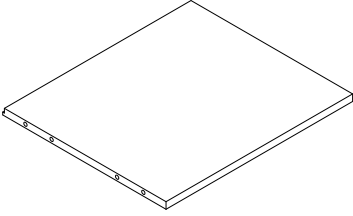
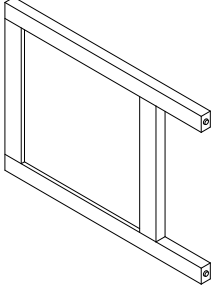
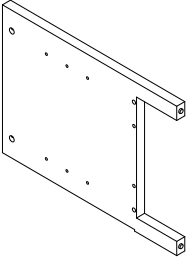
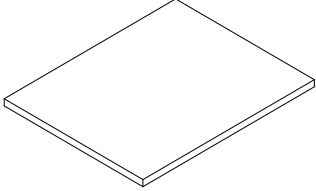
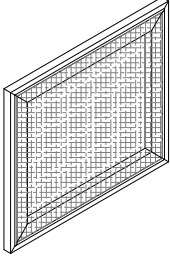
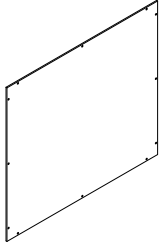
Safety | Seguridad | Sécurité




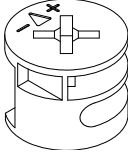
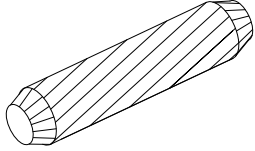
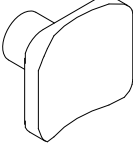
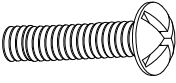
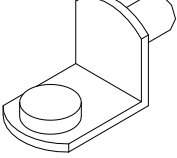
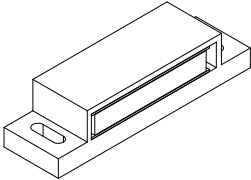
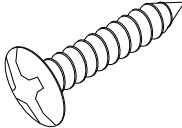
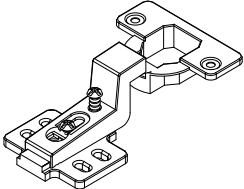
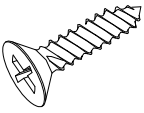
Note! | ¡Nota! | Remarque!



Assembly | Asambllea | Assemblage

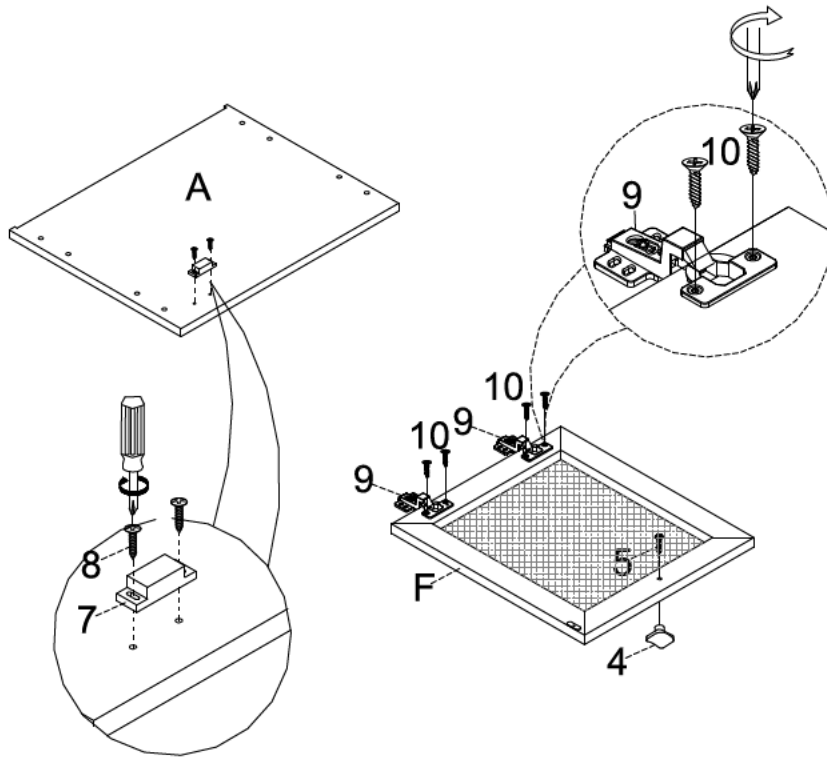
<p>A x1</p>  <p>Top panel</p>	<p>B x1</p>  <p>Bottom panel</p>	<p>C x1</p>  <p>Left side panel</p>
<p>D x1</p>  <p>Right side panel</p>	<p>E x1</p>  <p>Adjustable shelf panel</p>	<p>F x1</p>  <p>Door panel</p>
<p>G x1</p>  <p>Back panel</p>		

Assembly | Asamblea | Assemblage

<p>1 x8</p>  <p>Cam bolt</p>	<p>2 x8</p>  <p>Cam lock</p>	<p>3 x8</p>  <p>Wood dowel</p>
<p>4 x1</p>  <p>Handle</p>	<p>5 x1</p>  <p>Bolt $\phi 5/32" \times 25\text{mm}$</p>	<p>6 x4</p>  <p>Shelf pin</p>
<p>7 x1</p>  <p>Magnet</p>	<p>8 x14</p>  <p>Screw $\phi 3 \times 14\text{mm}$</p>	<p>9 x2</p>  <p>Hinge</p>
<p>10 x12</p>  <p>Screw $\phi 3.5 \times 14\text{mm}$</p>		

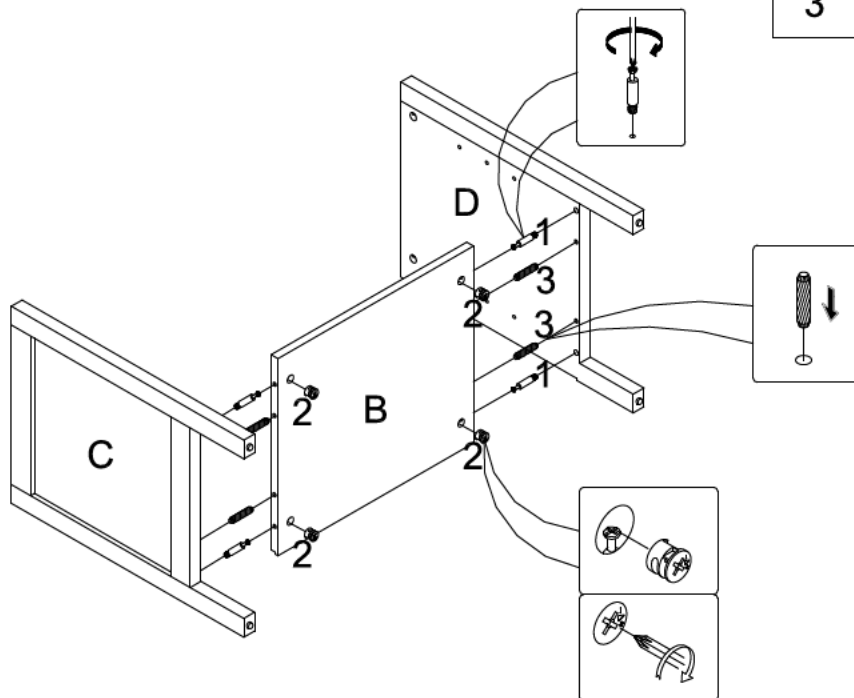
Assembly | Asambla | Assemblage

1



4		x 1
5		x 1
7		x 1
8		x 2
9		x 2
10		x 4

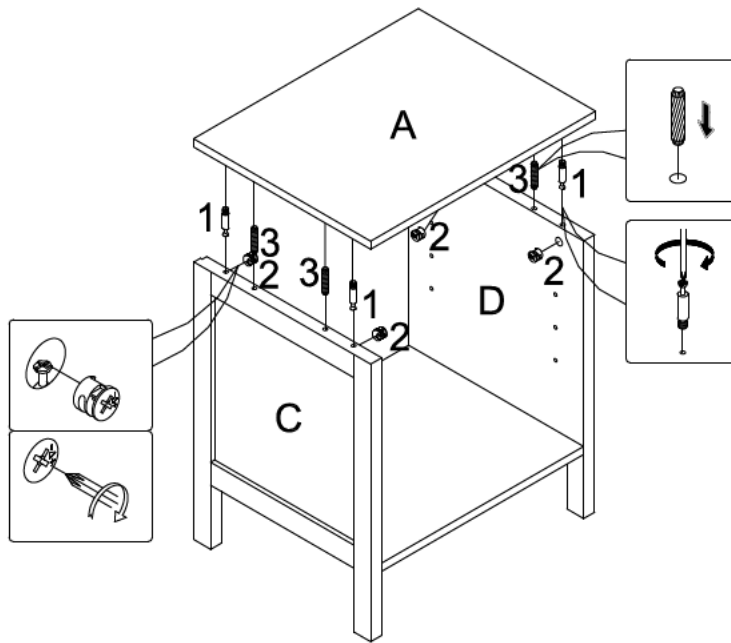
2

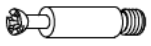




1		x 4
2		x 4
3		x 4

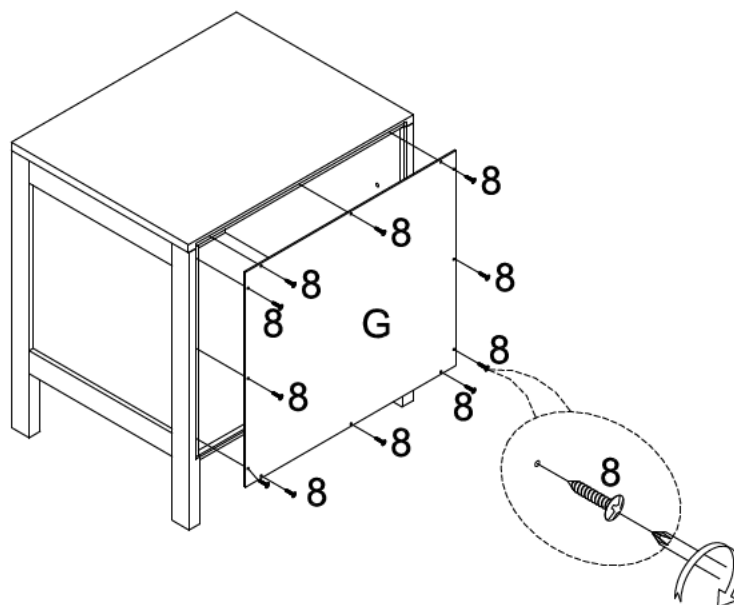
Assembly | Asambla | Assemblage

3



1		x 4
2		x 4
3		x 4

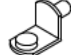
4

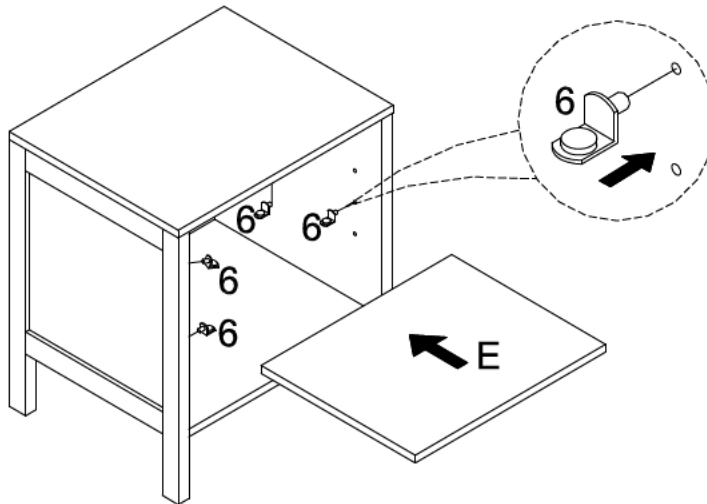


8		x 12
---	---	------


Assembly | Asambla | Assemblage

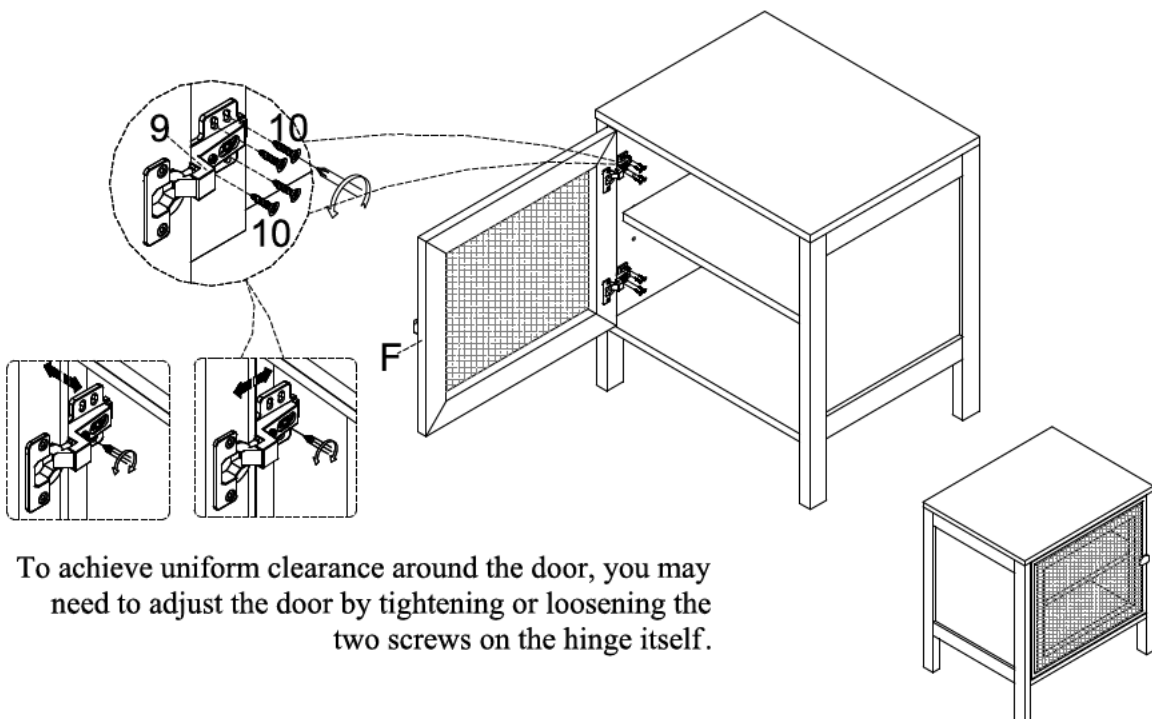
5

6		x 4
---	---	-----



6

10		x 8
----	---	-----



To achieve uniform clearance around the door, you may need to adjust the door by tightening or loosening the two screws on the hinge itself.