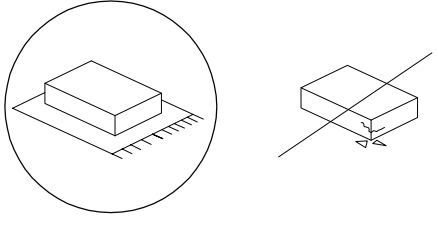

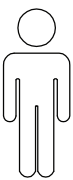
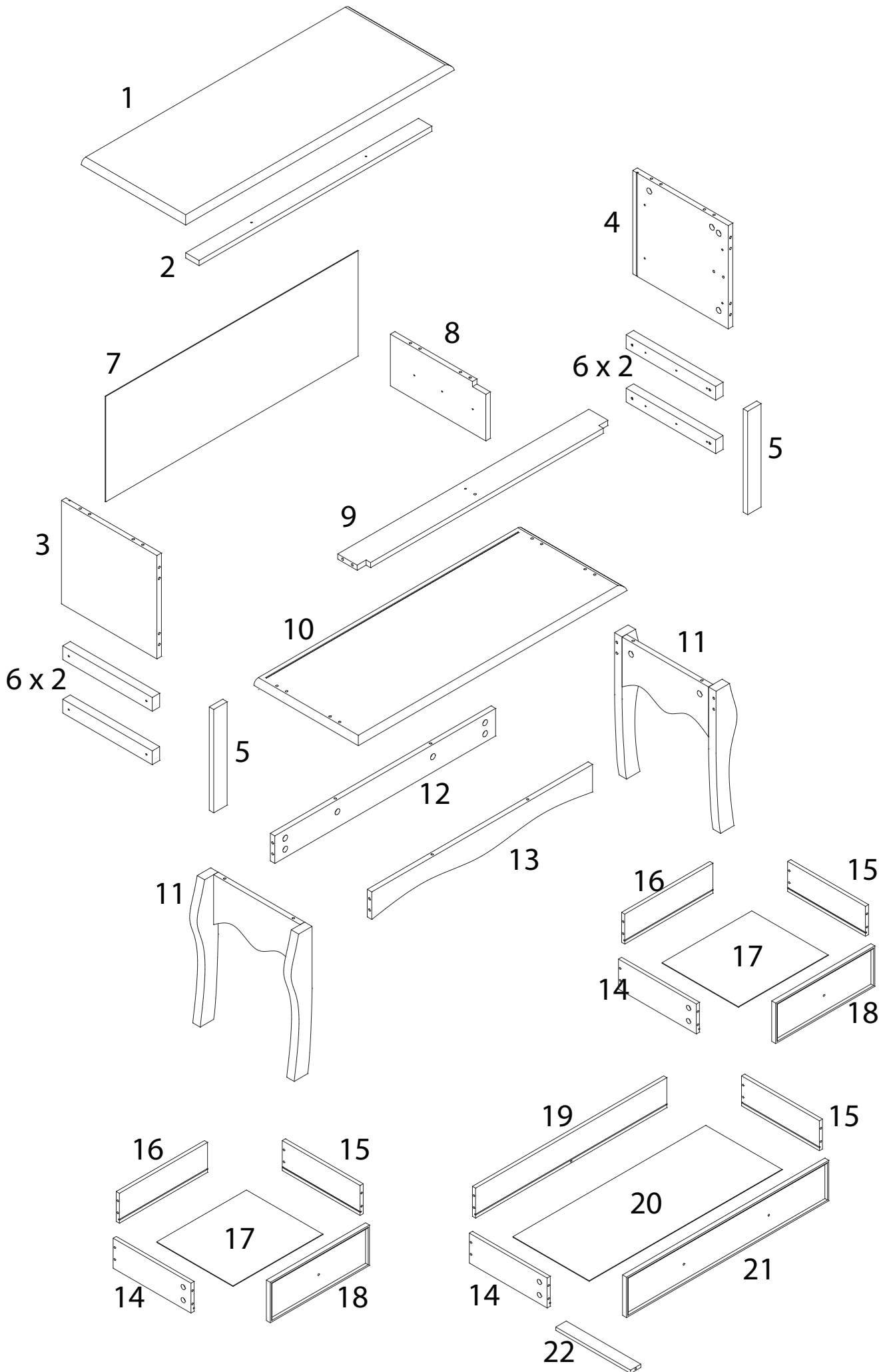
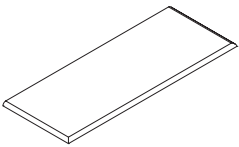
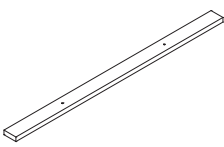
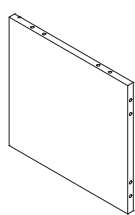
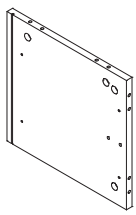

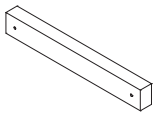
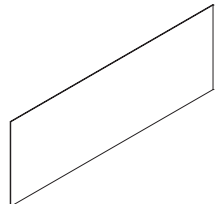
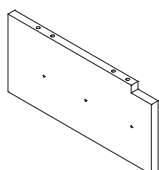
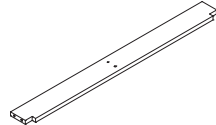
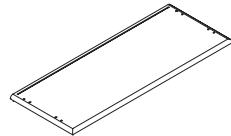
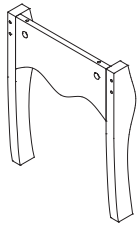
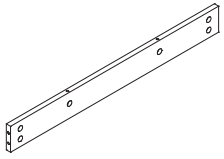
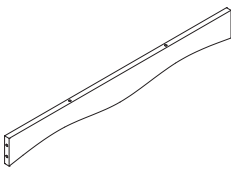
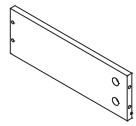
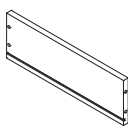
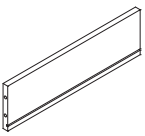
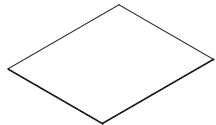
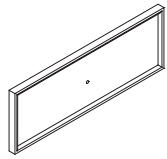
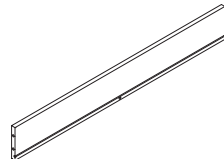
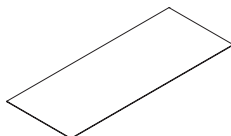
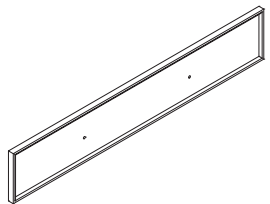
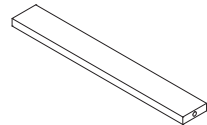

		<p>60'</p>
		
		<p>2</p>



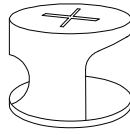
1  x 1	2  x 1	3  x 1	4  x 1	5  x 2
6  x 4	7  x 1	8  x 1	9  x 1	10  x 1
11  x 2	12  x 1	13  x 1	14  x 3	15  x 3
16  x 2	17  x 2	18  x 2	19  x 1	20  x 1
21  x 1		22  x 1		

A



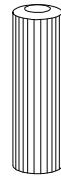
x 41

B



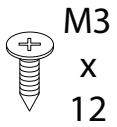
x 41

C



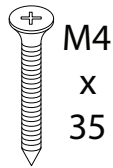
x 17

D



x 36

E



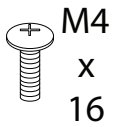
x 27

F



x 4

G



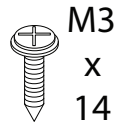
x 4

H



x 1

I



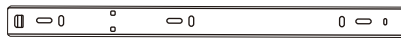
x 1

J



x 1

K



x 6

L



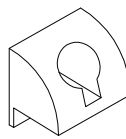
x 6

M



x 2

N



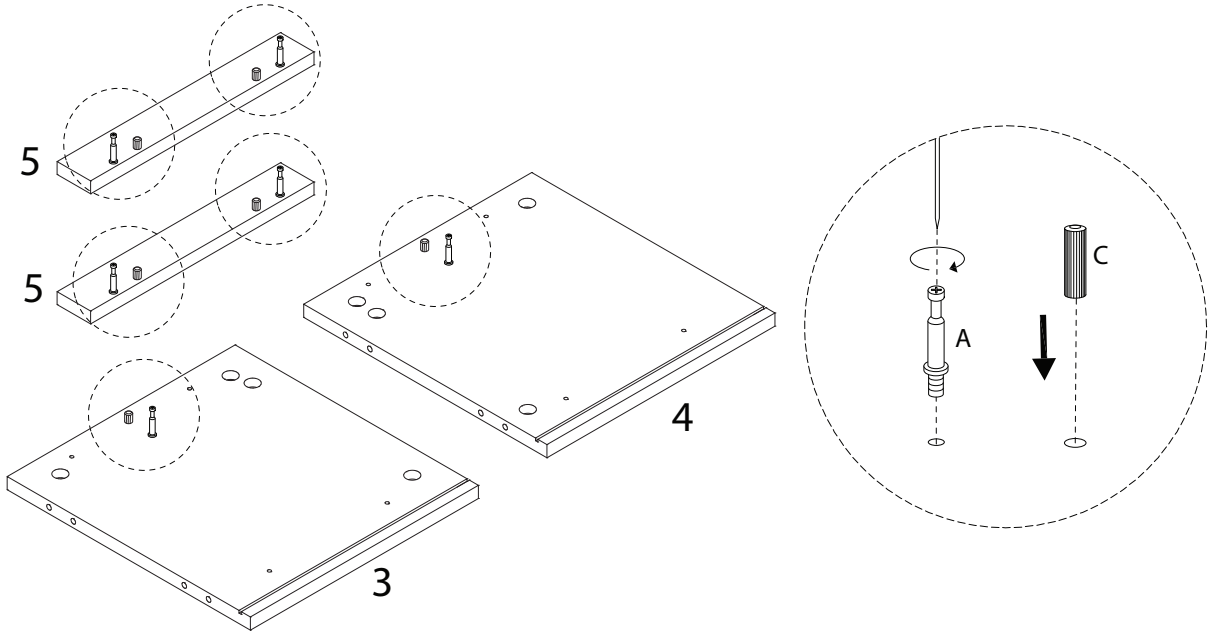
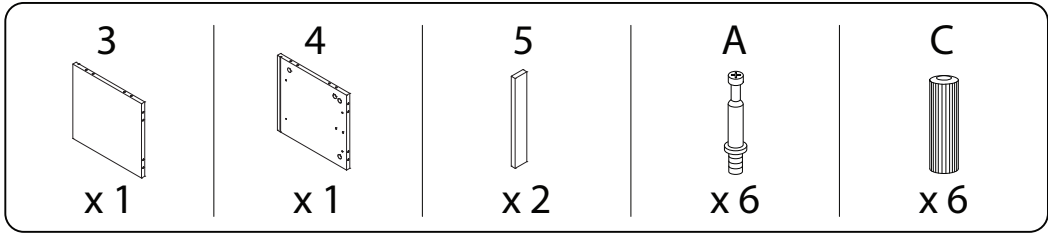
x 4

O

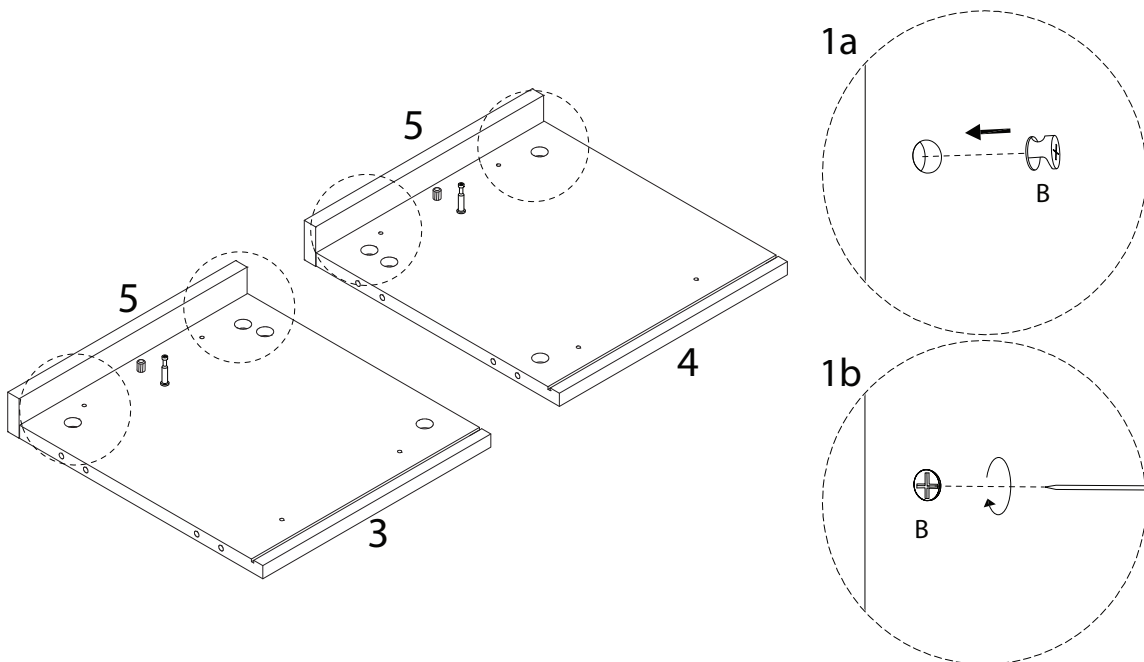
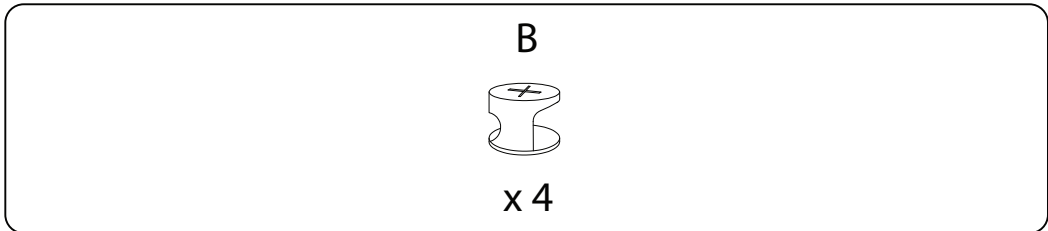


x 4

1



2



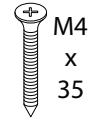
3

6

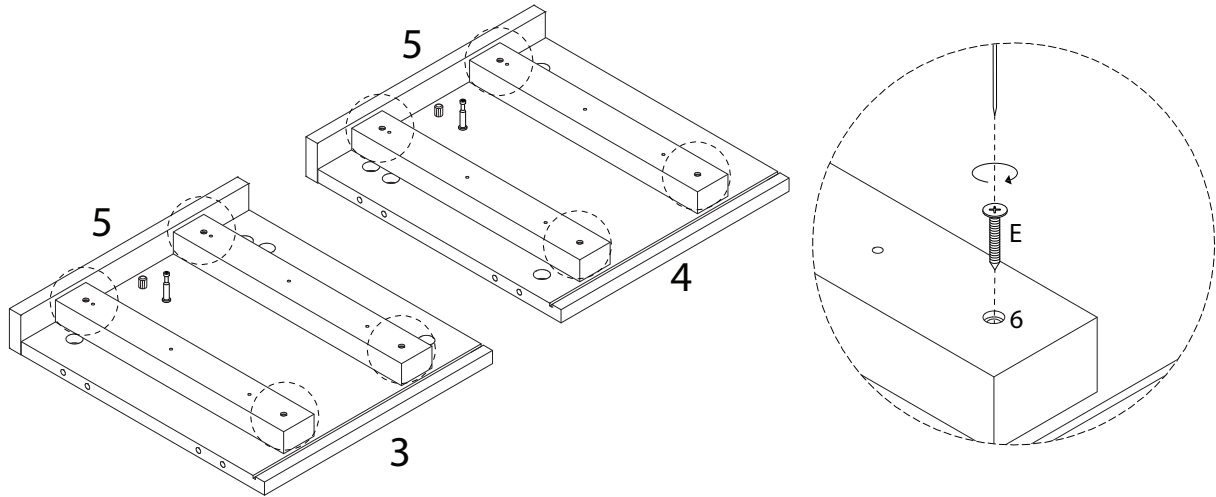


x 4

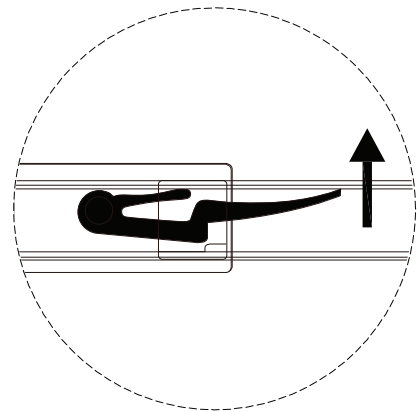
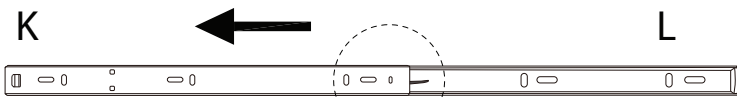
E



x 8

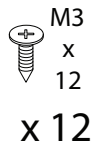


!

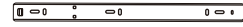


4

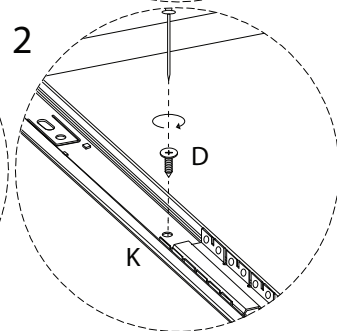
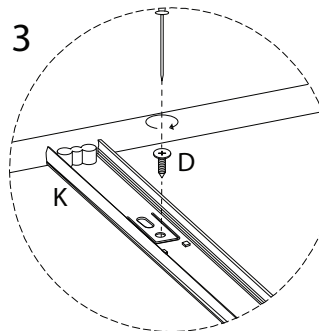
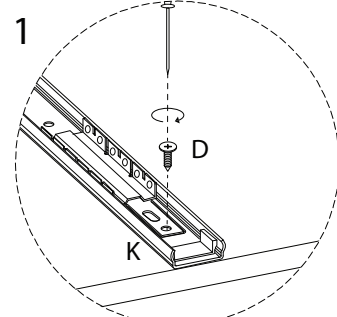
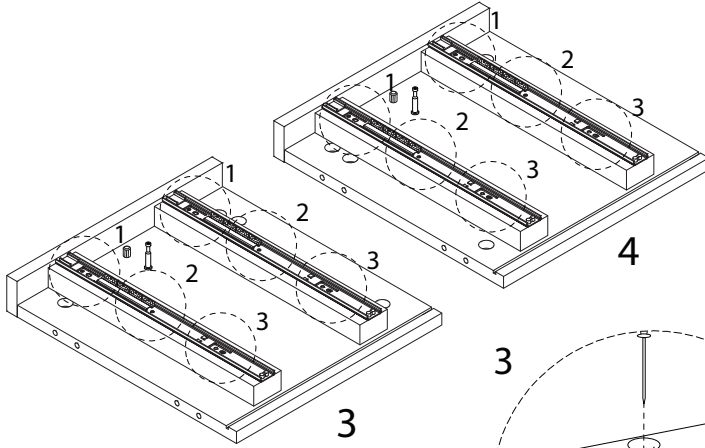
D



K

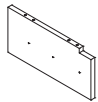


x 4



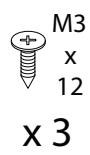
5

8



x 1

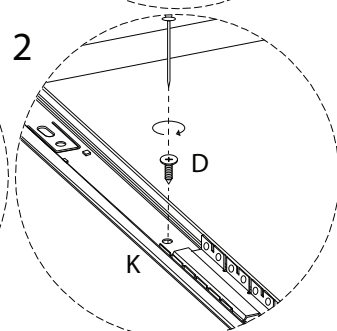
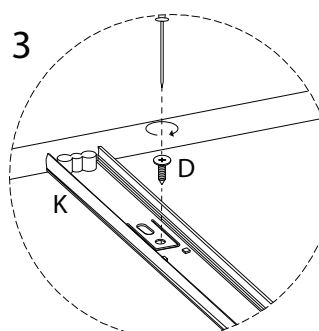
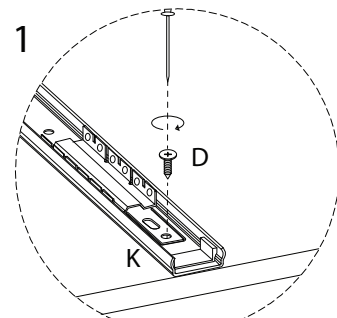
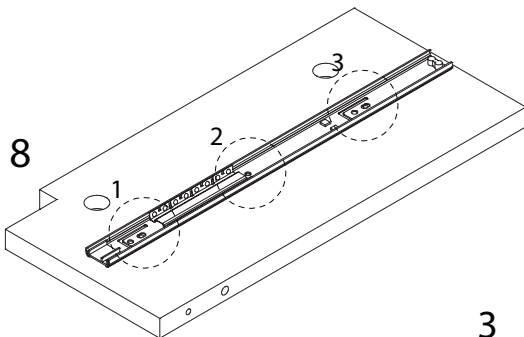
D



K

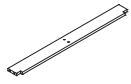


x 1



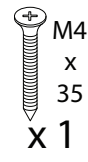
8

9

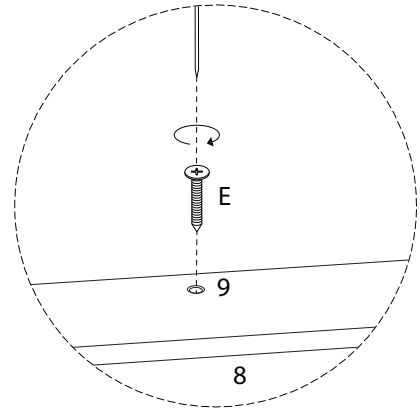
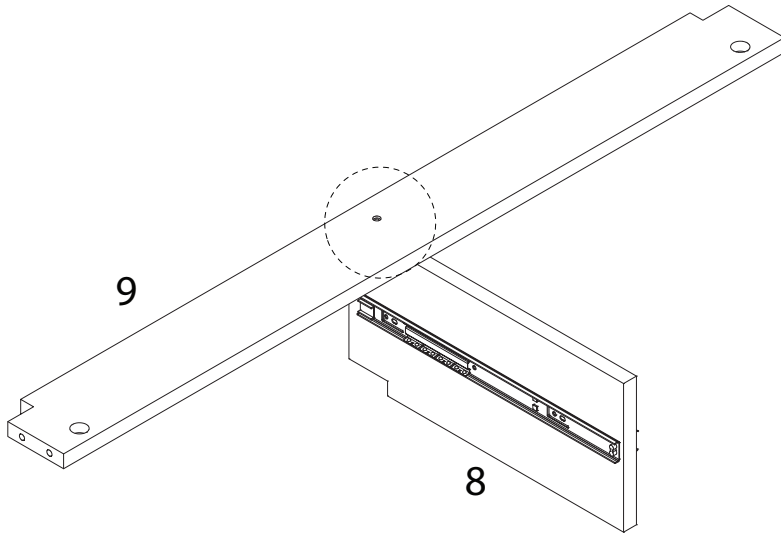


x 1

E



x 1

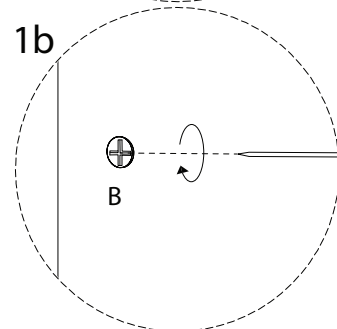
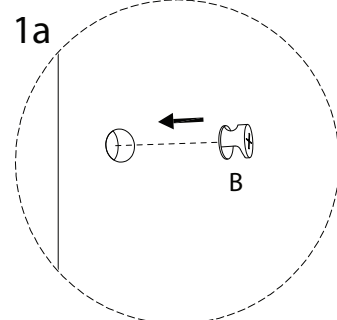
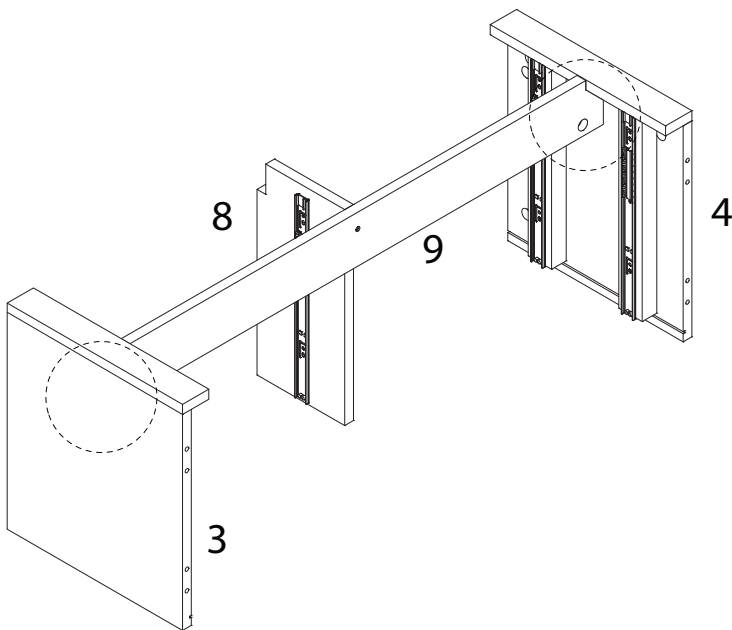


9

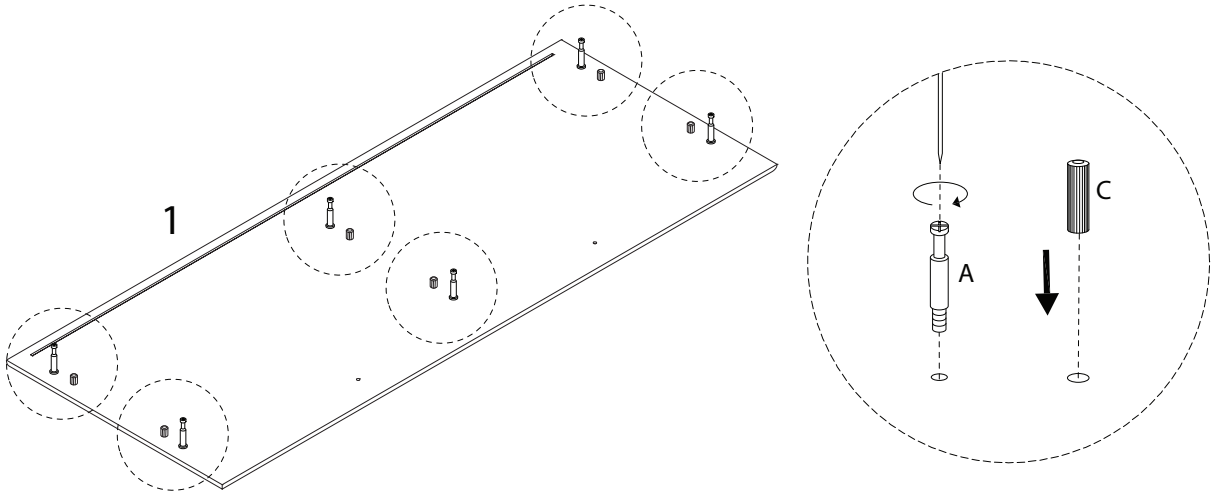
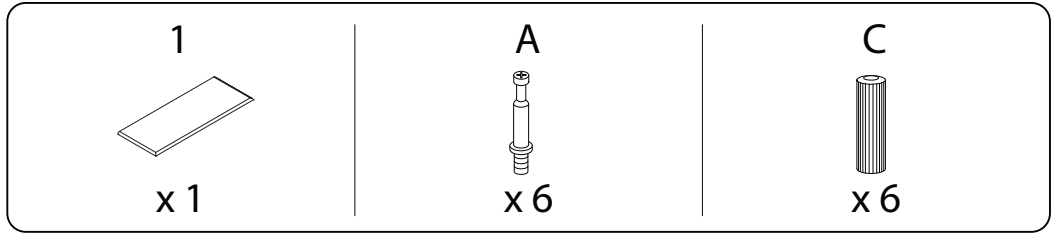
B



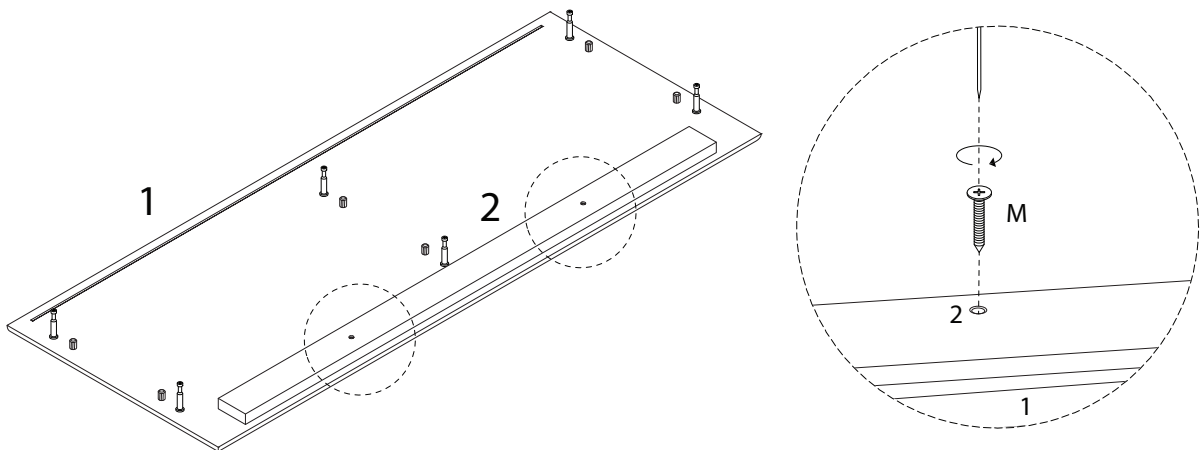
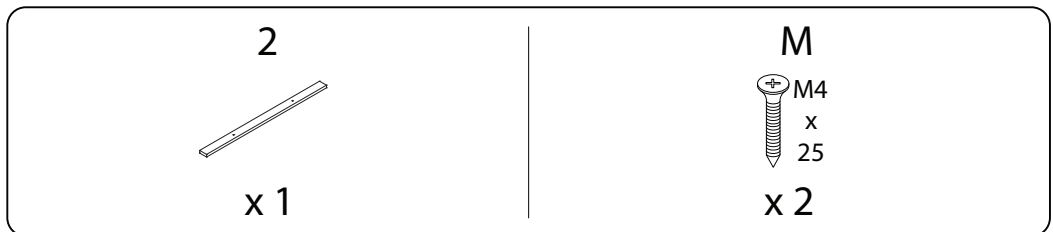
x 2



10



11

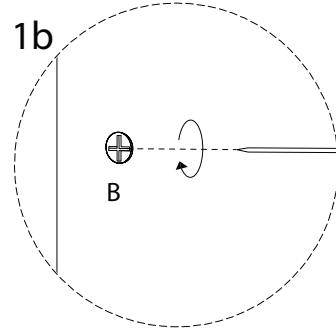
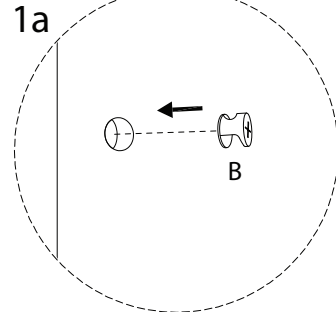
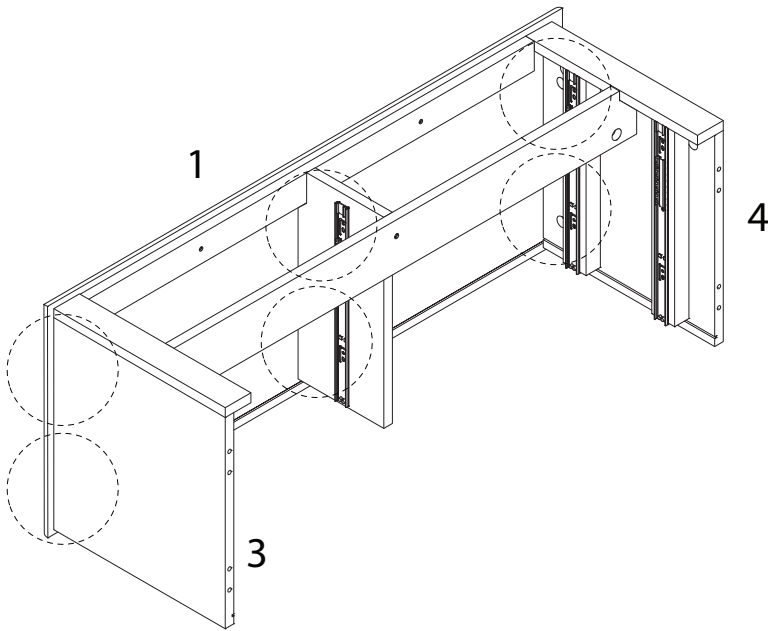


12

B

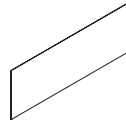


x 6

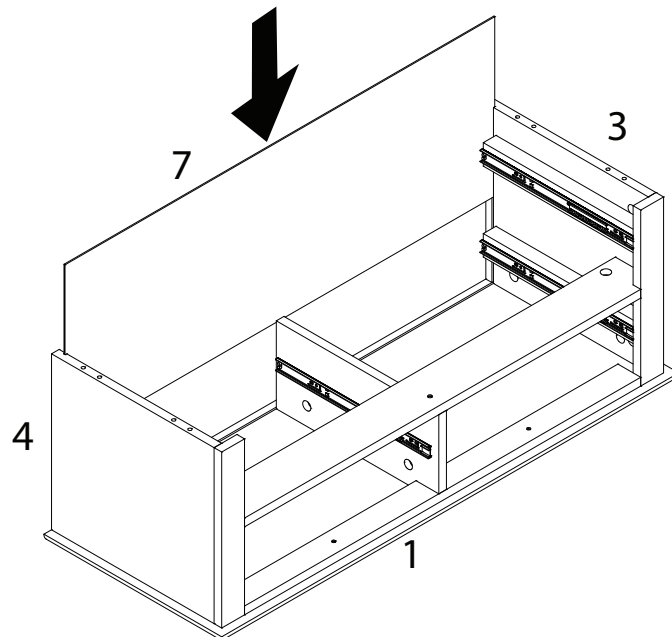


13

7



x 1

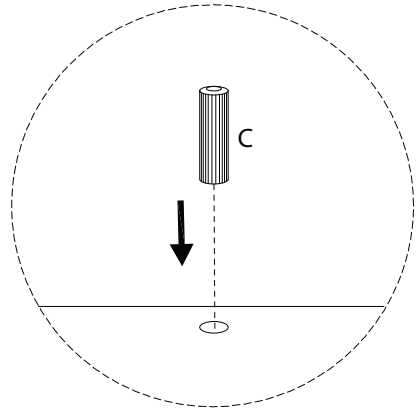
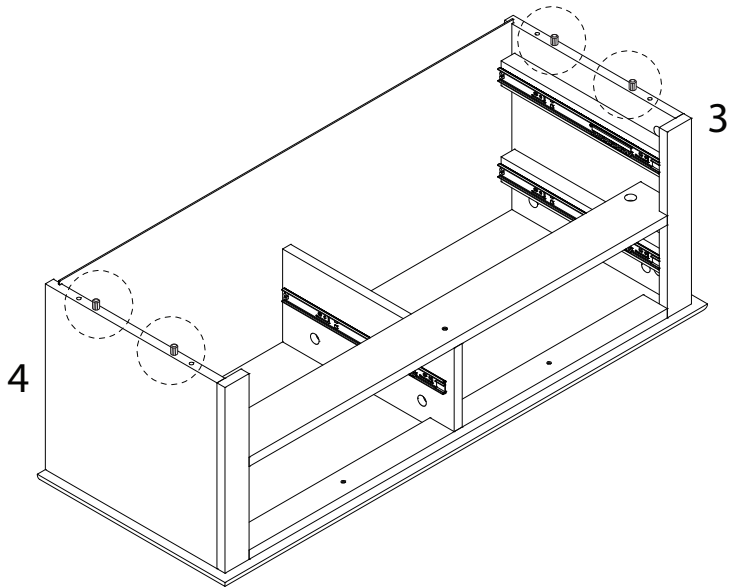


14

C

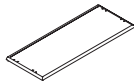


x 4



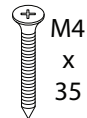
15

10



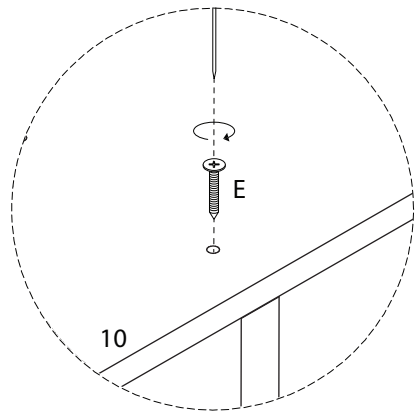
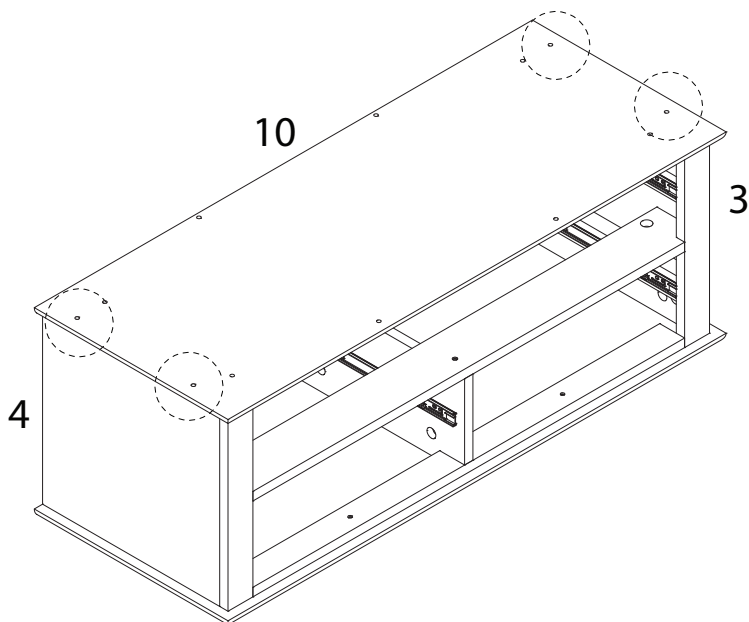
x 1

E

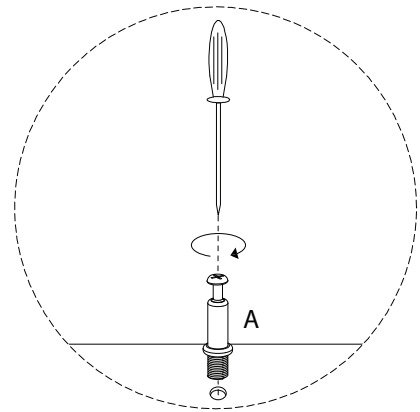
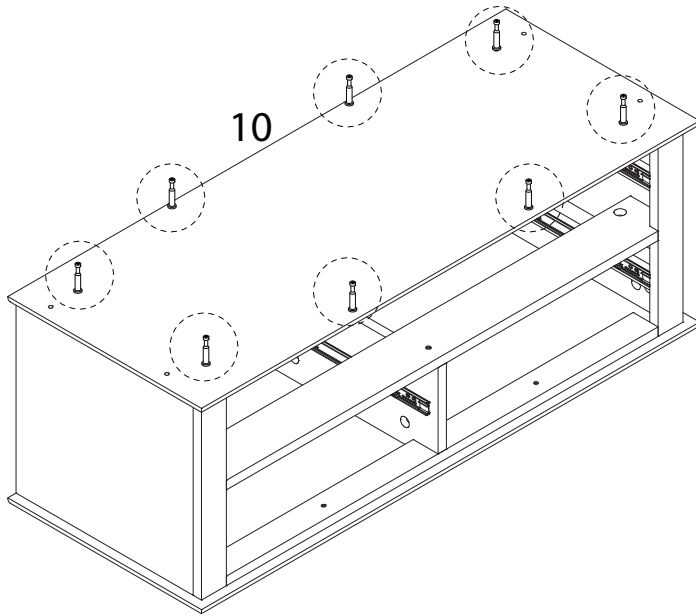
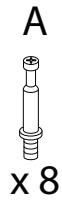


M4
x
35

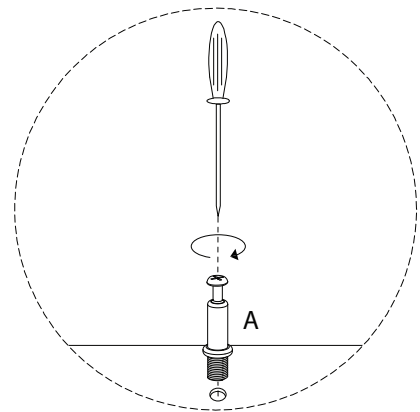
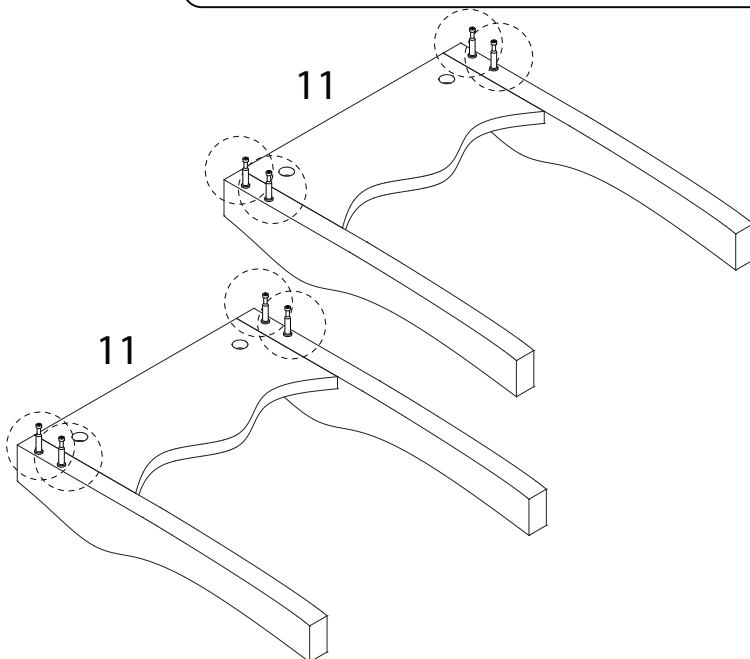
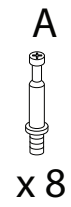
x 4



16

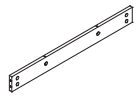


17



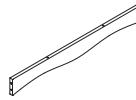
18

12



x 1

13

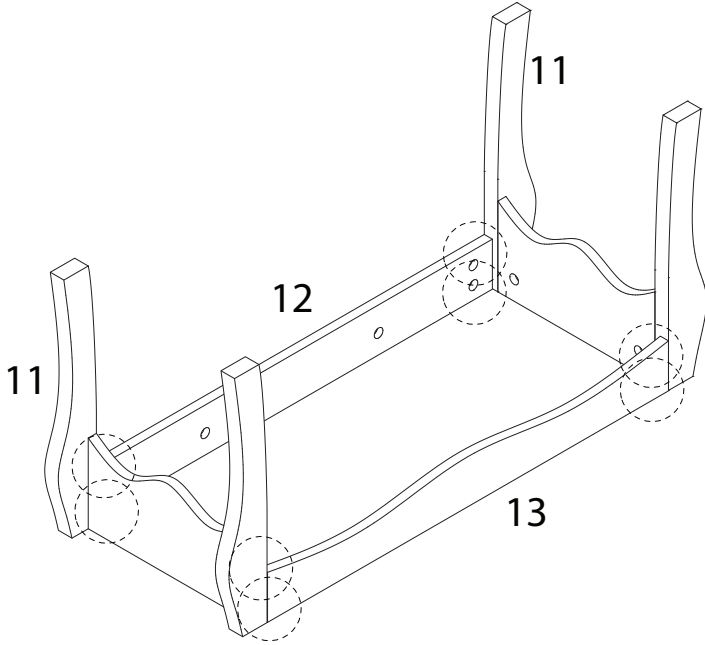


x 1

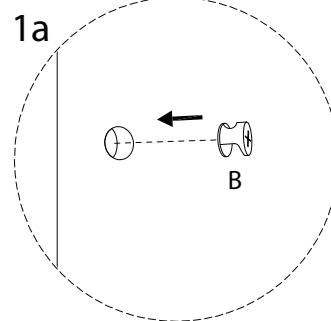
B



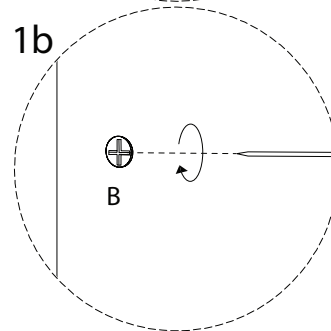
x 8



1a



1b

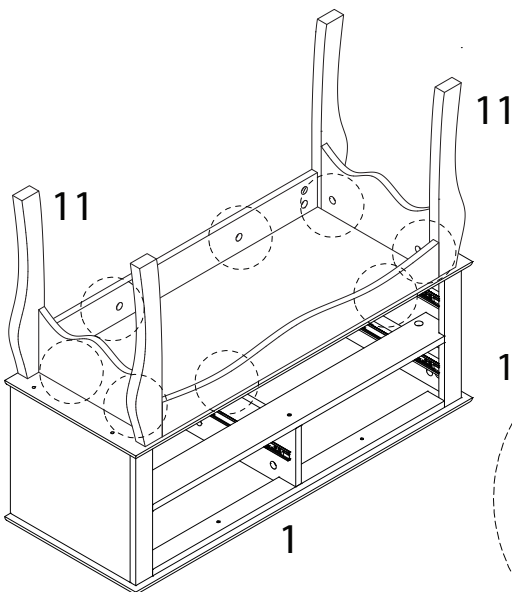


19

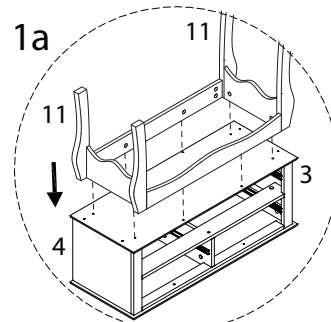
B



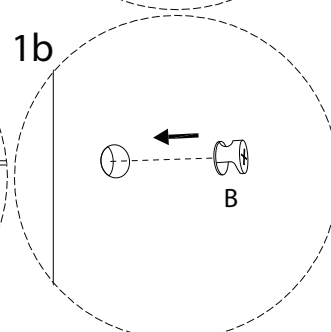
x 8



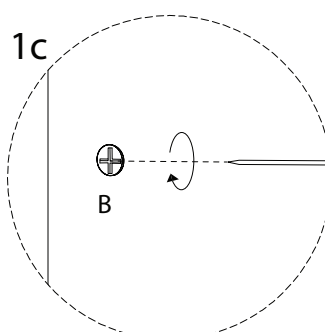
1a



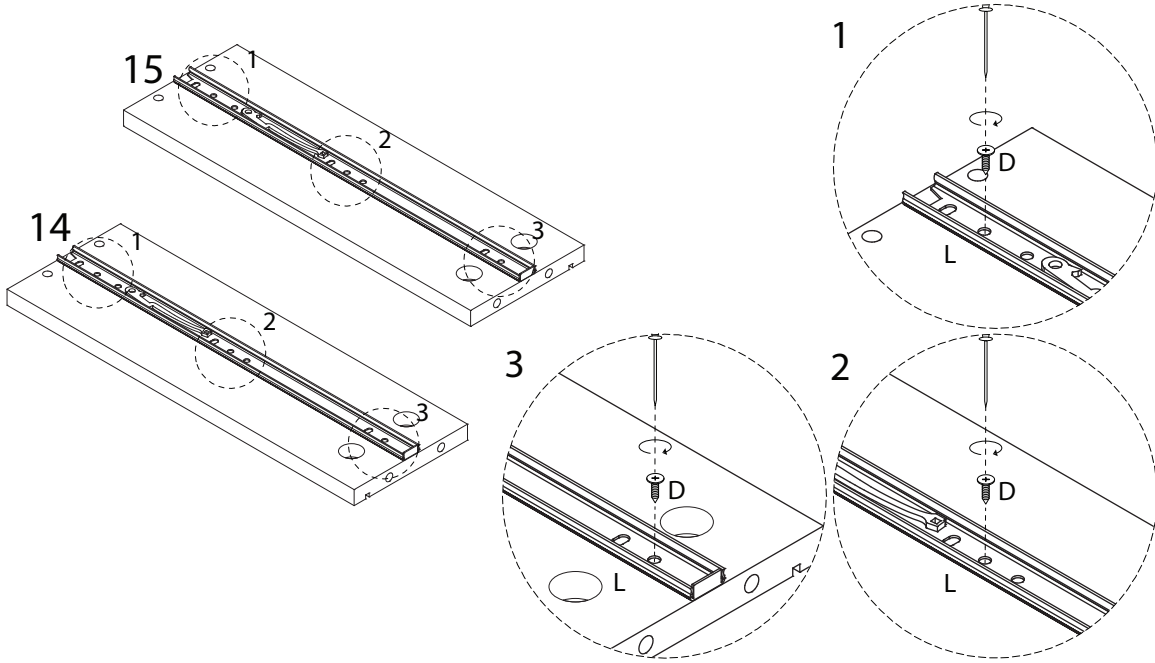
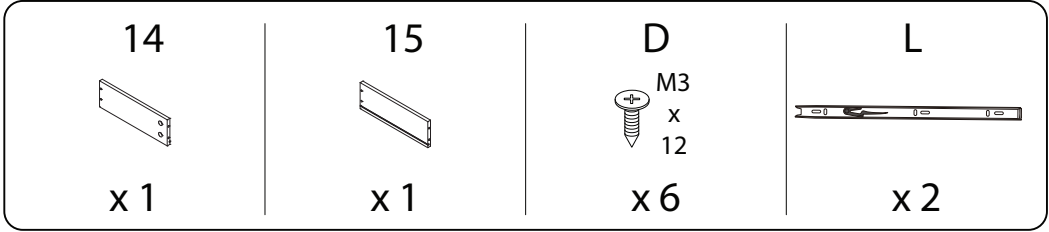
1b



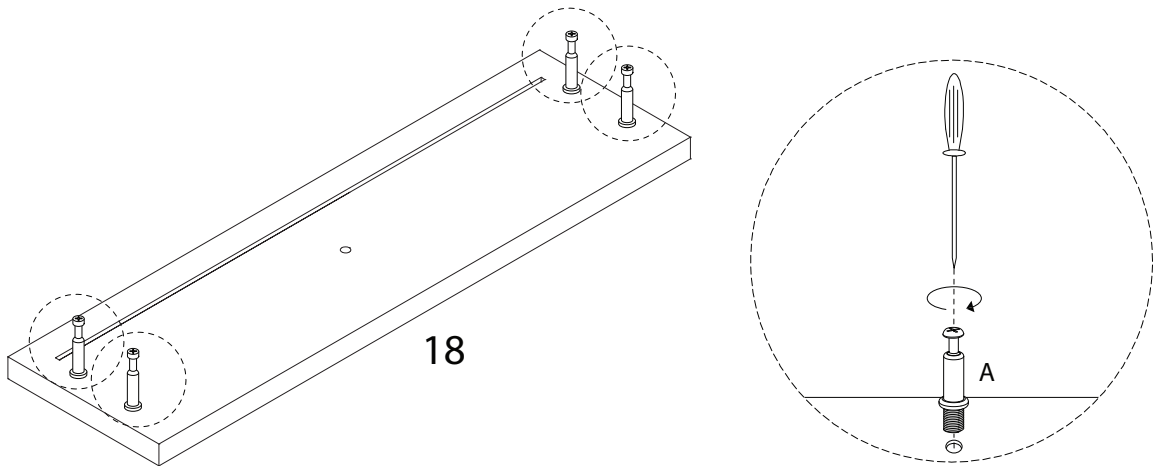
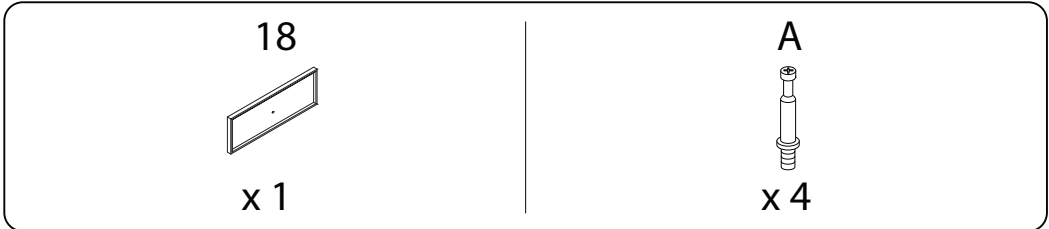
1c



20 x 3



21 x 2

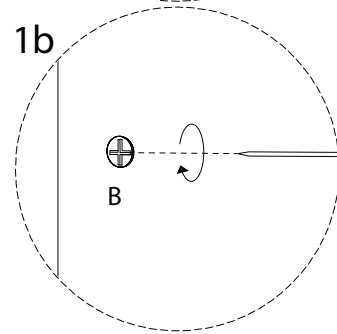
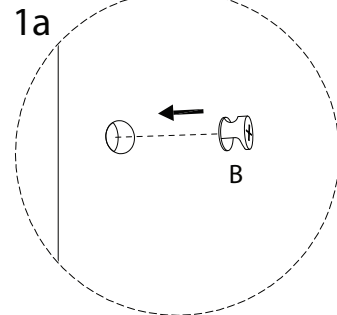
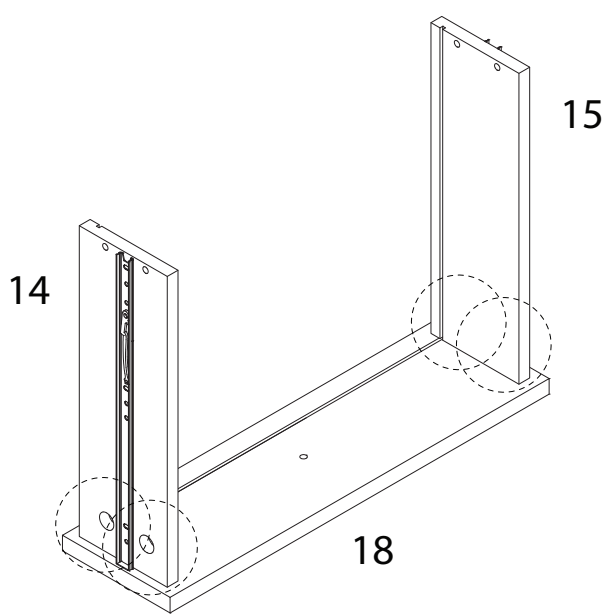


22 x 2

B

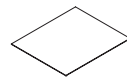


x 4

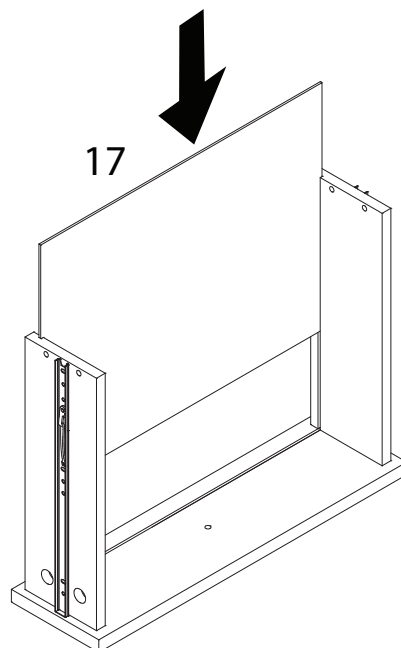


23 x 2

17



x 1



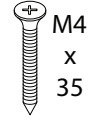
24 x 2

16

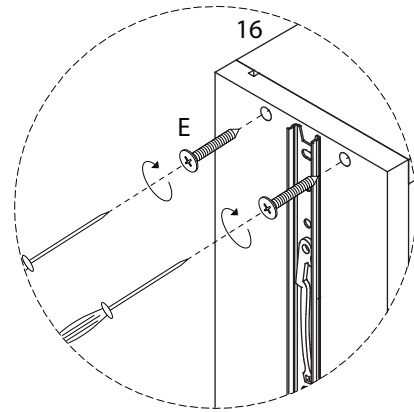
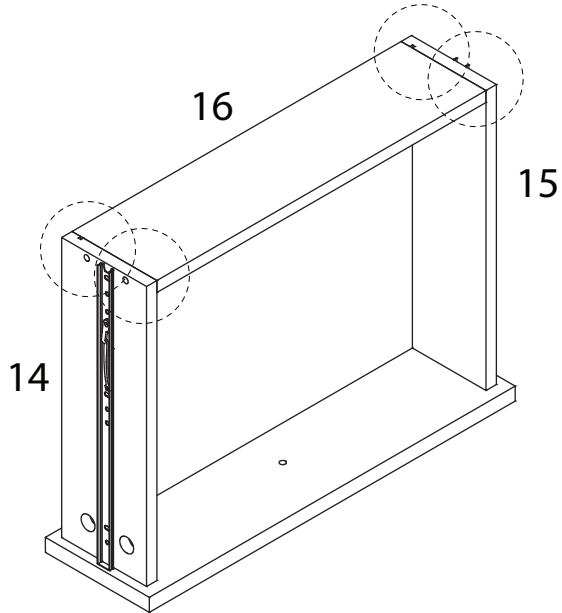


x 1

E



x 4



25 x 2

F

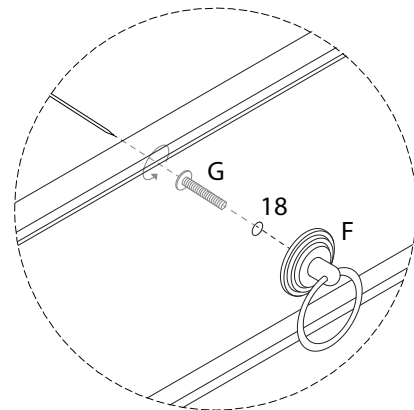
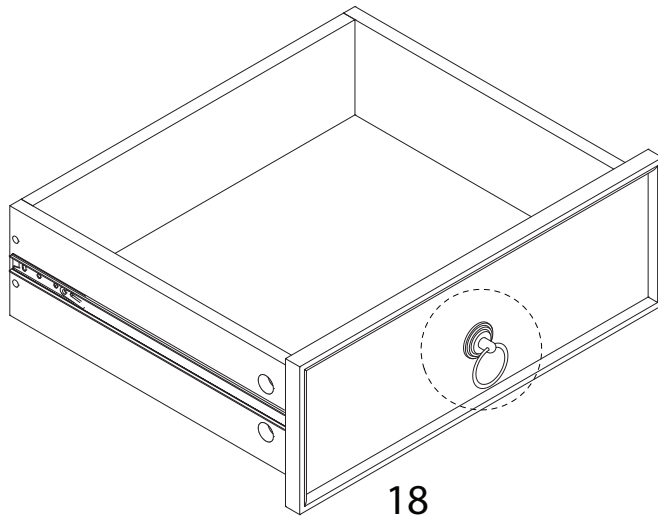


x 1

G

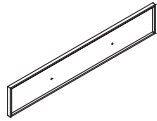


x 1



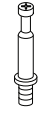
26

21

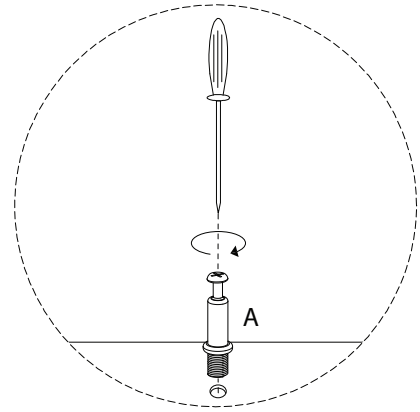
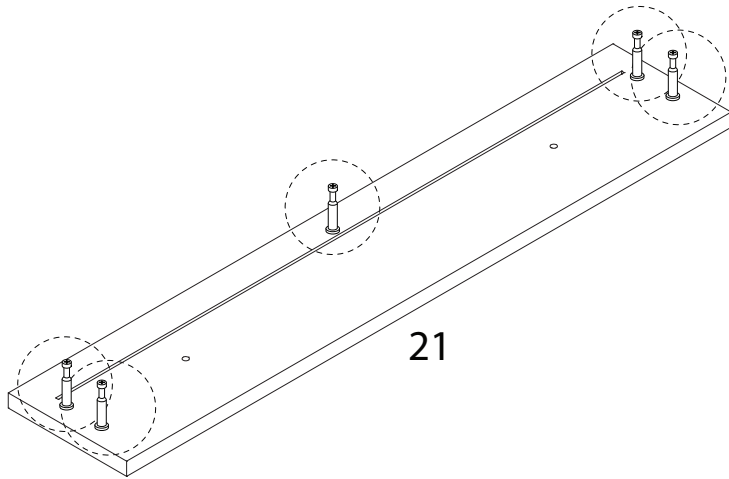


x 1

A

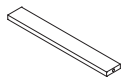


x 5



27

22

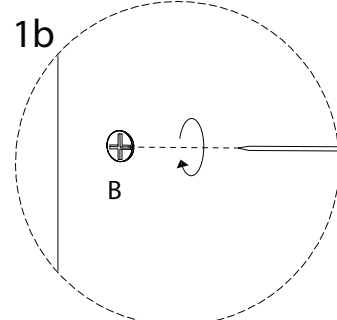
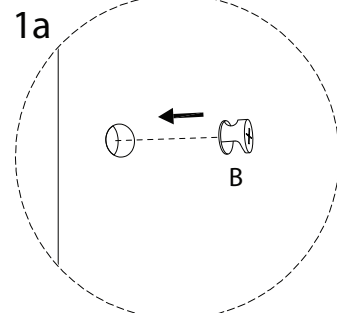
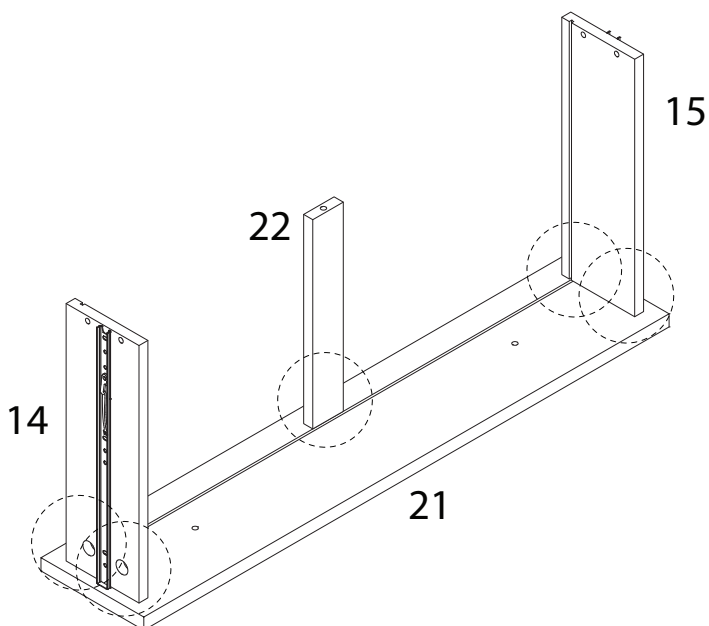


x 1

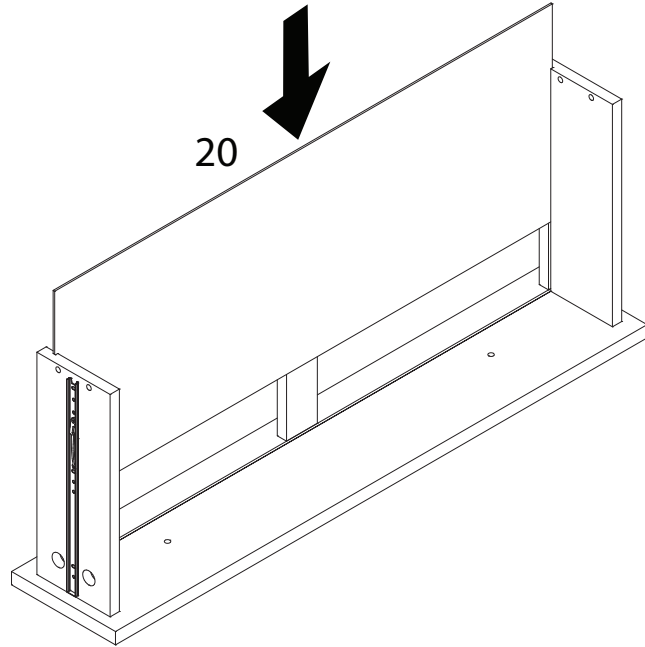
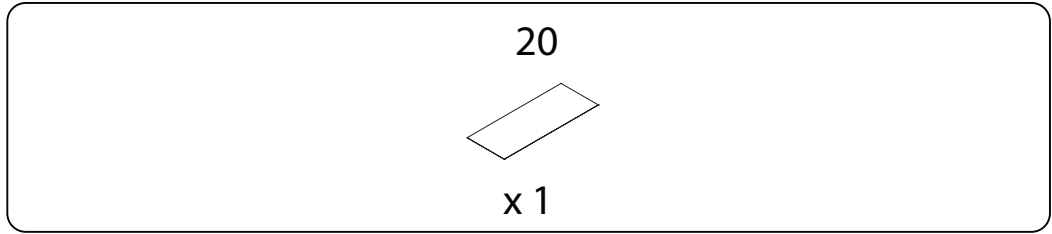
B



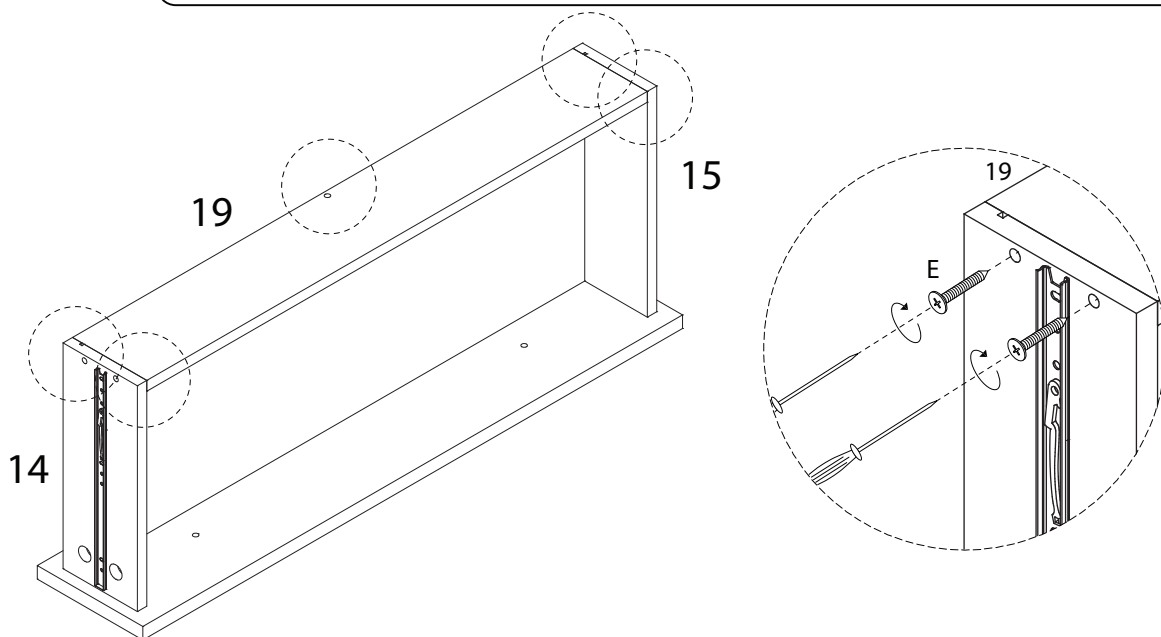
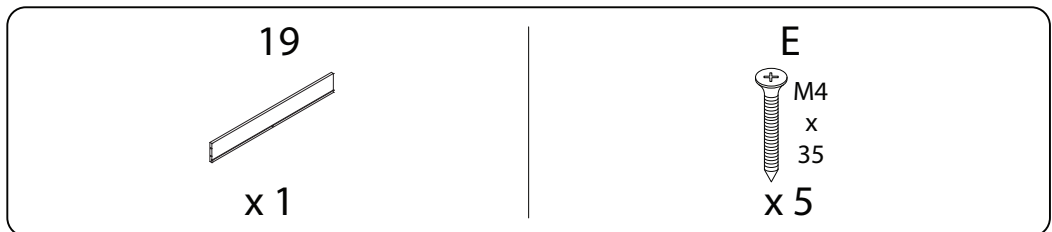
x 5



28



29



30

F

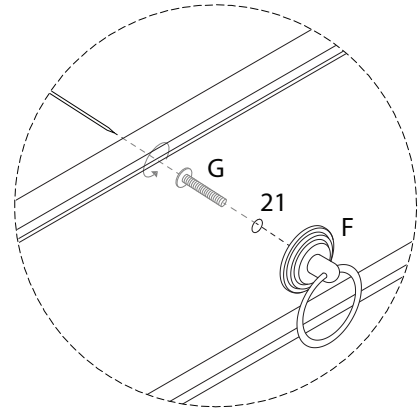
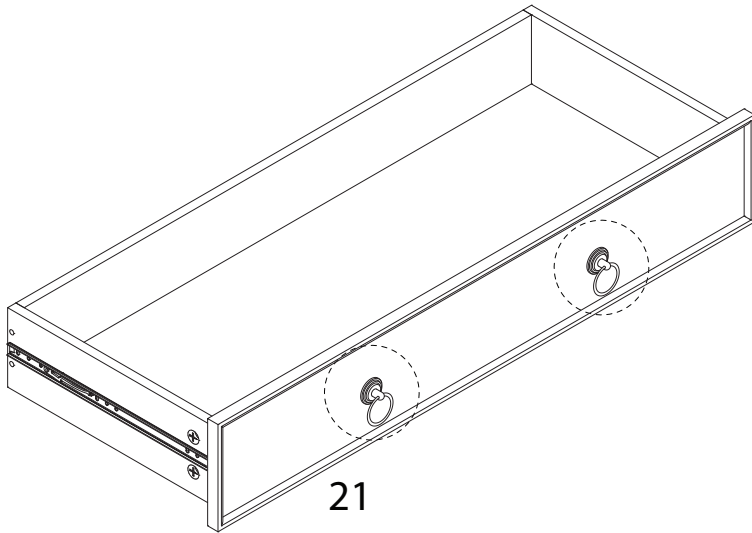


x 2

G



x 2



31

N

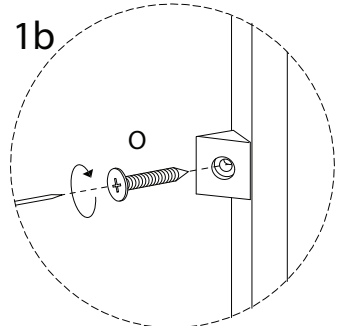
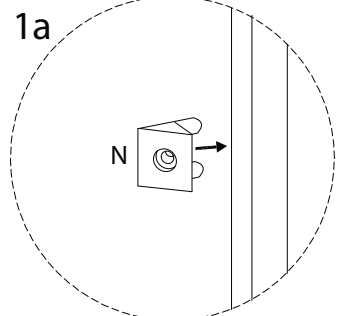
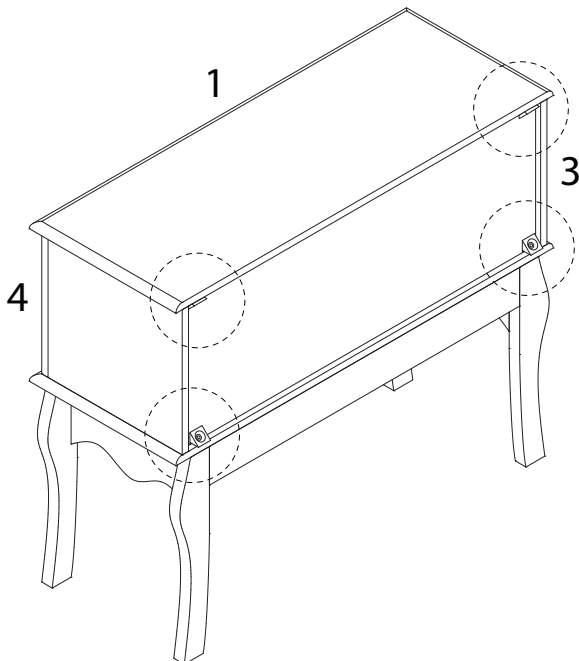


x 4

O



x 4



32

H

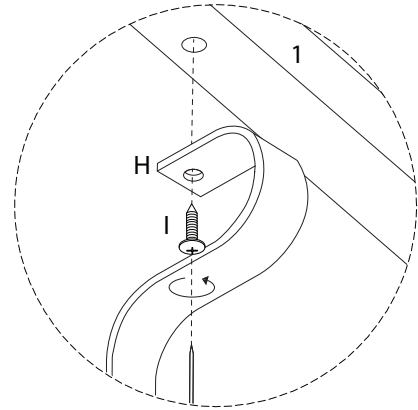
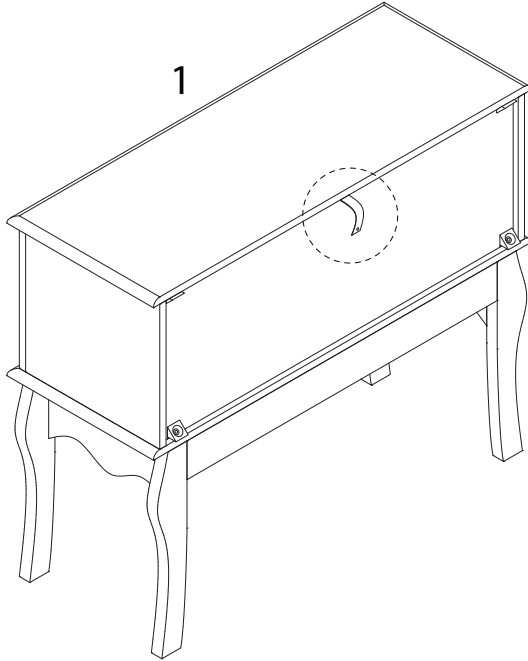


x 1

I



x 1



33

E

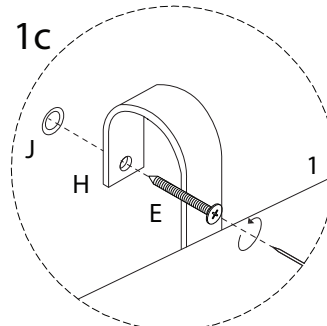
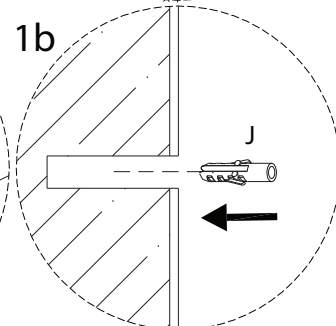
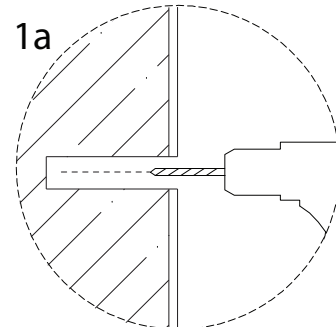
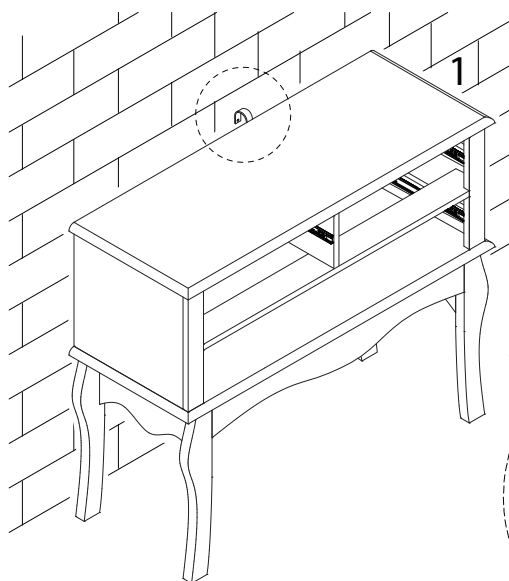


x 1

J



x 1



34

