

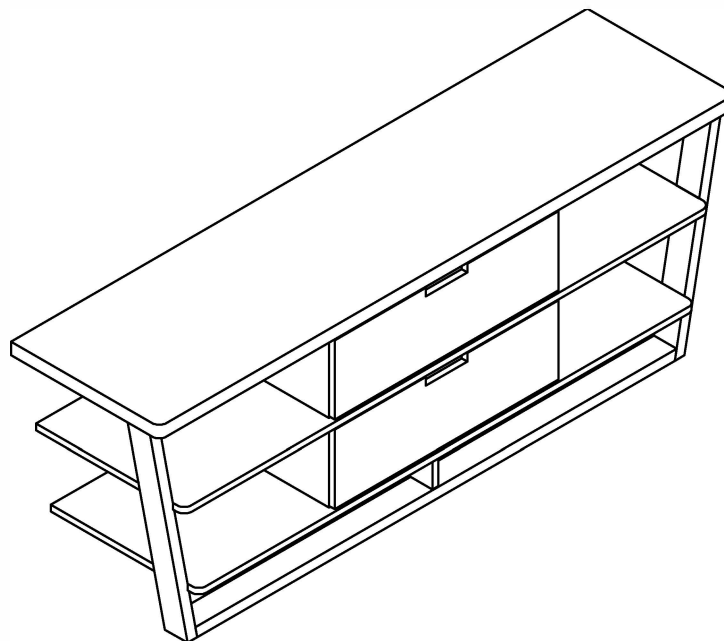
ASSEMBLY INSTRUCTIONS

PLEASE READ BEFORE ASSEMBLING!

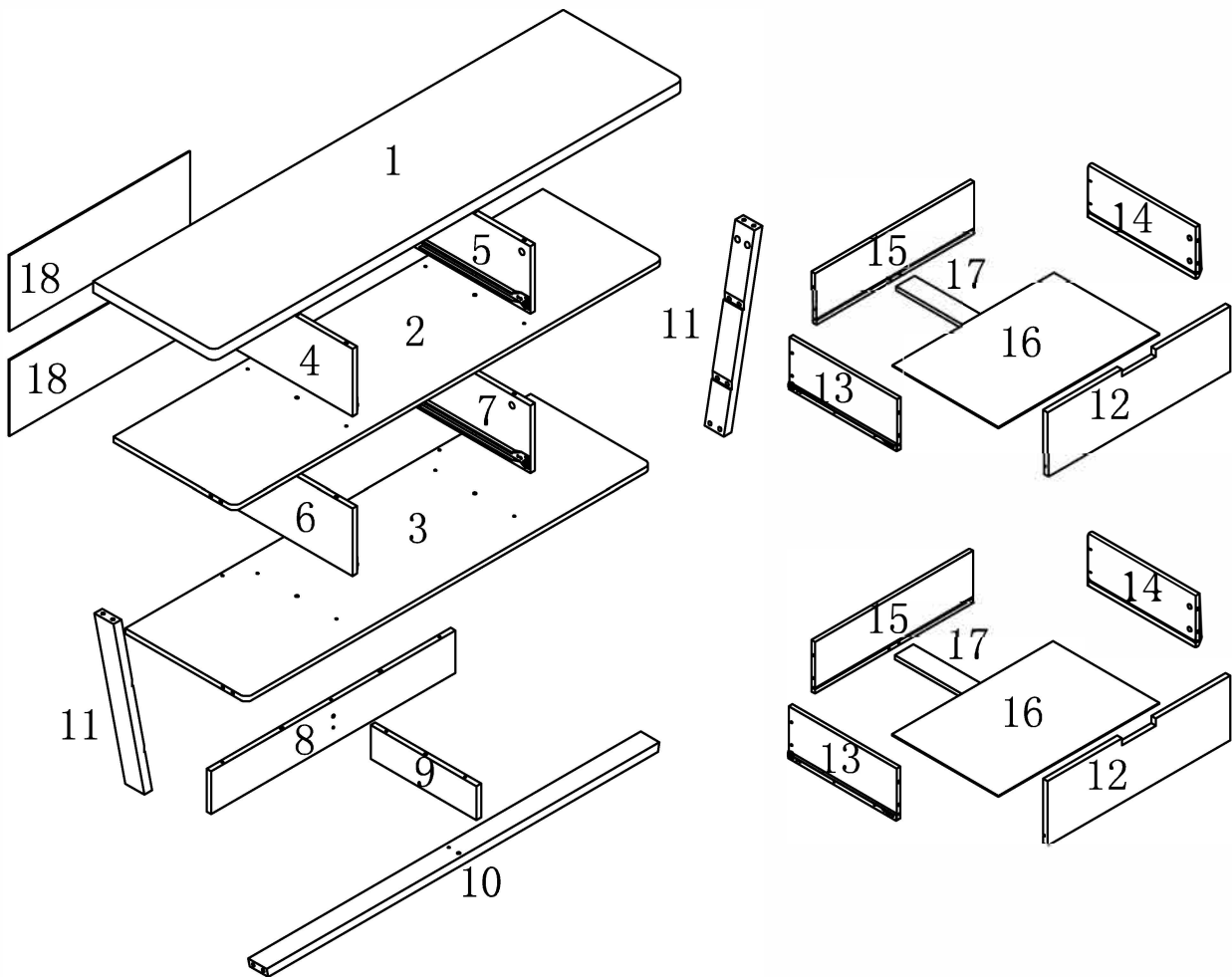
Tip #1: Make sure you've taken all the pieces and hardware out of its packaging before discarding the box.

Tip #2: Using page 2 and/or page 3 of instruction manual make sure all pieces and hardware are accounted for.

Tip #3: Read manual before assembling, it helps!




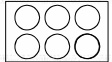
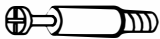

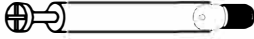








PARTS IDENTIFICATION

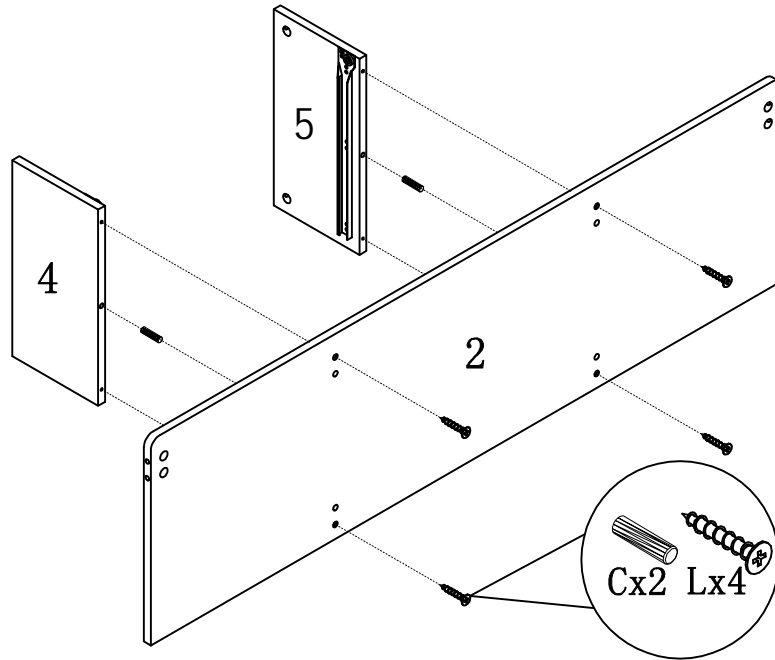


(1)	1pc	(7)	1pc	(13)	2pcs
(2)	1pc	(8)	1pc	(14)	2pcs
(3)	1pc	(9)	1pc	(15)	2pcs
(4)	1pc	(10)	1pc	(16)	2pcs
(5)	1pc	(11)	2pcs	(17)	2pcs
(6)	1pc	(12)	2pcs	(18)	2pcs

HARDWARE IDENTIFICATION

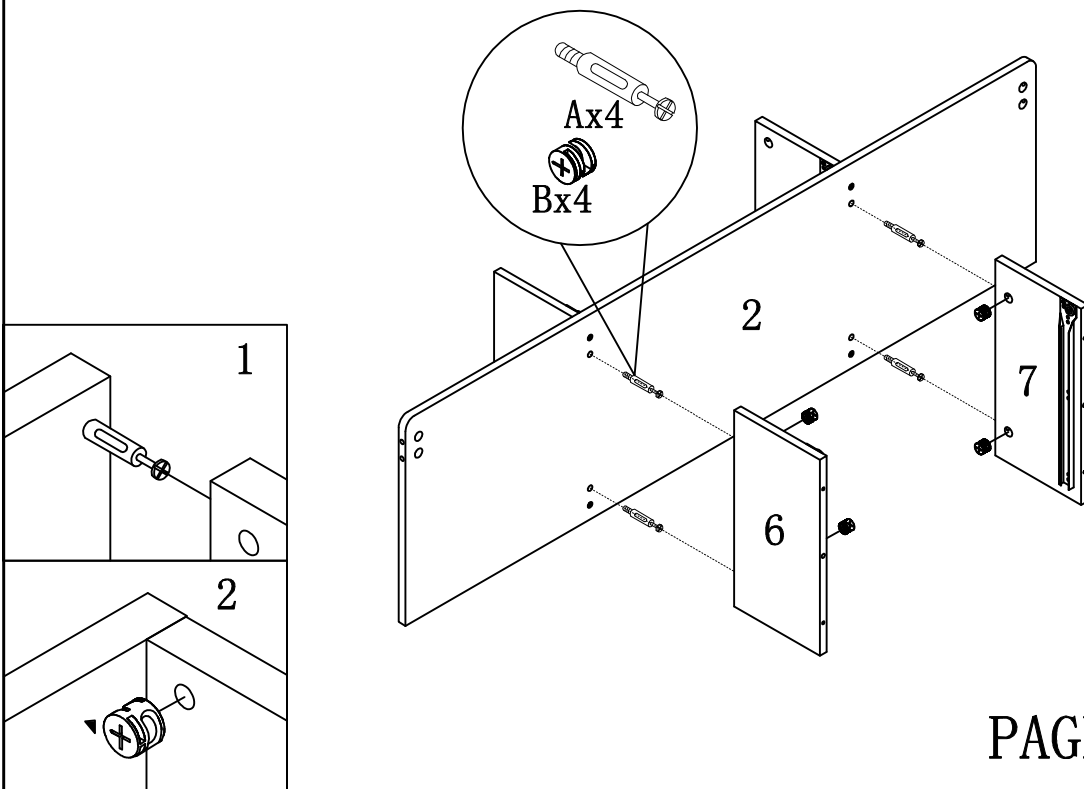
A		L29	16pcs
B		Ø15	24pcs
C		Ø8x25	11pcs
D		Ø22	4pcs
E		L20	8pcs
F		Ø12	8pcs
G		L47	8pcs
H		Ø6x30	4pcs
I		Ø16	5pcs
J			20pcs
K		Ø4x30	12pcs
L		Ø4x40	15pcs
M		Glue: For securing please apply to wood dowel first before inserting into panel	1pc

ASSEMBLY INSTRUCTIONS

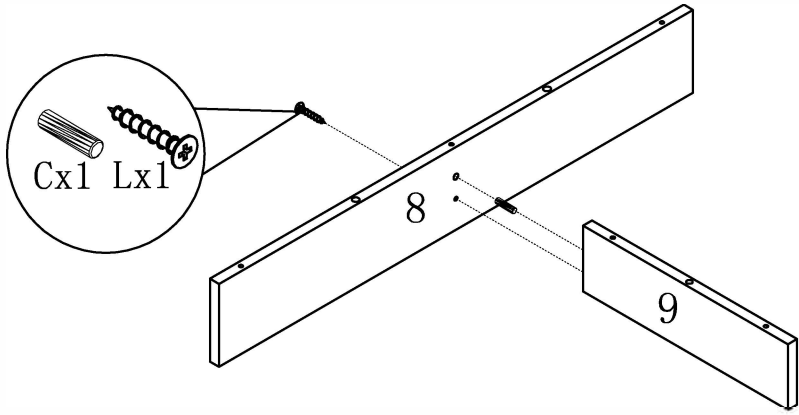


STEP 1

STEP 2

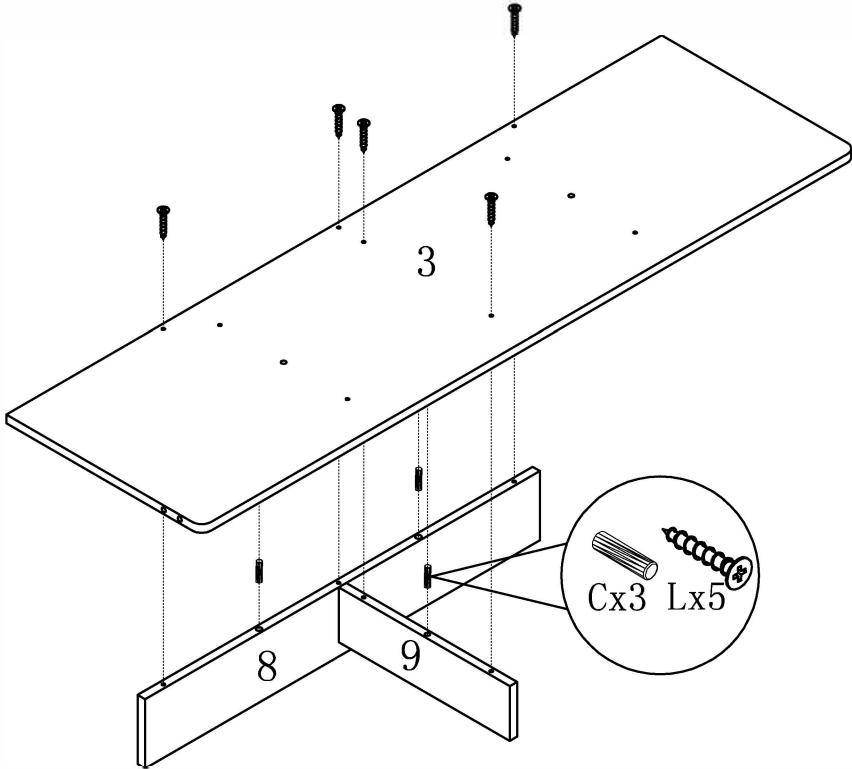


ASSEMBLY INSTRUCTIONS

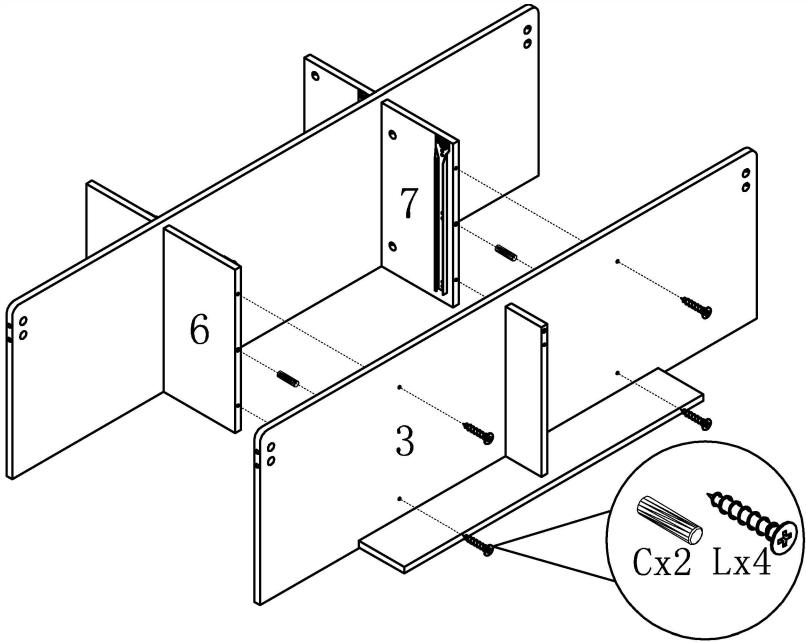


STEP3

STEP4

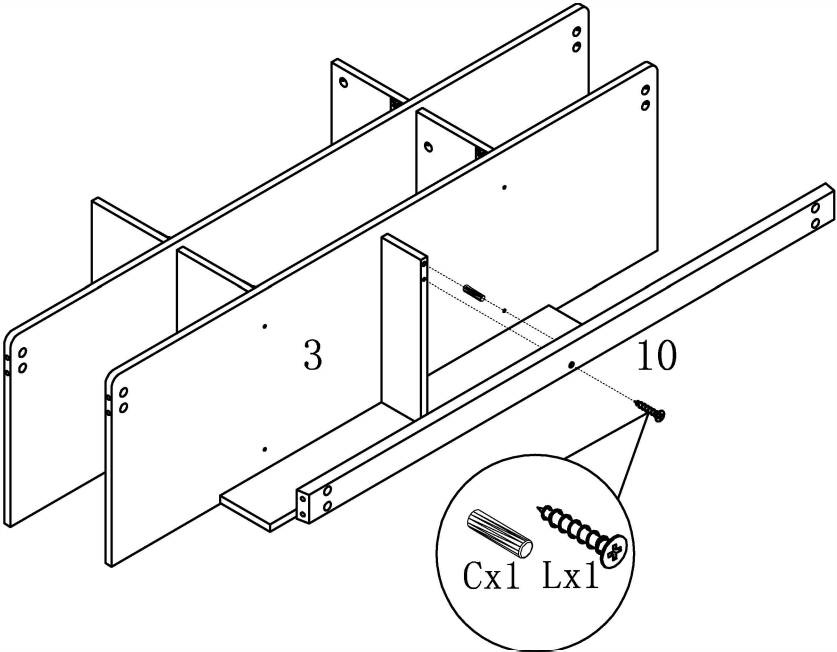


ASSEMBLY INSTRUCTIONS

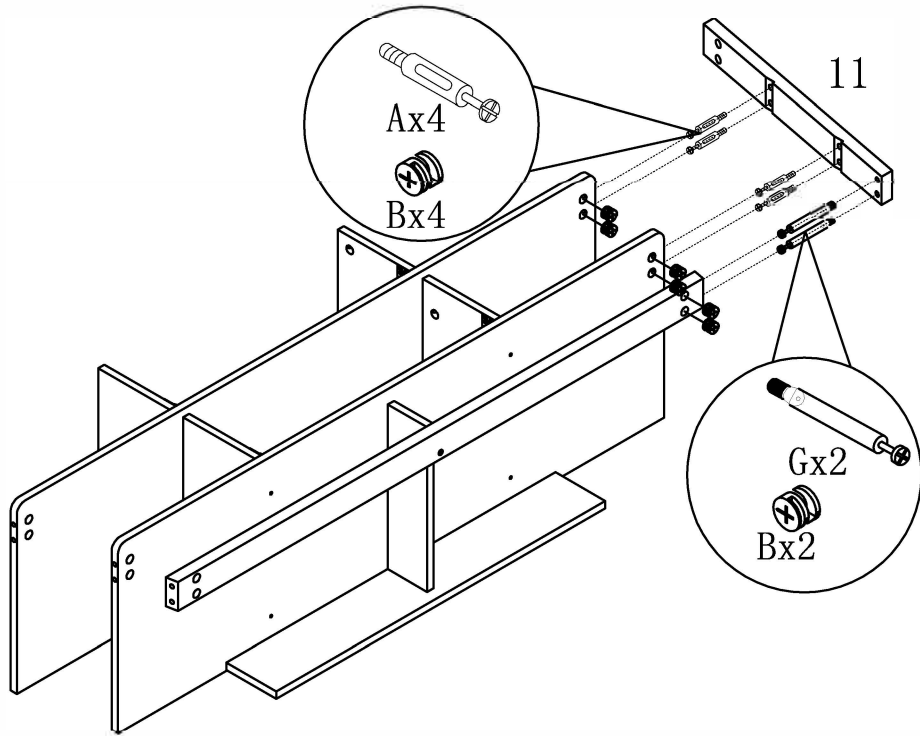


STEP5

STEP6

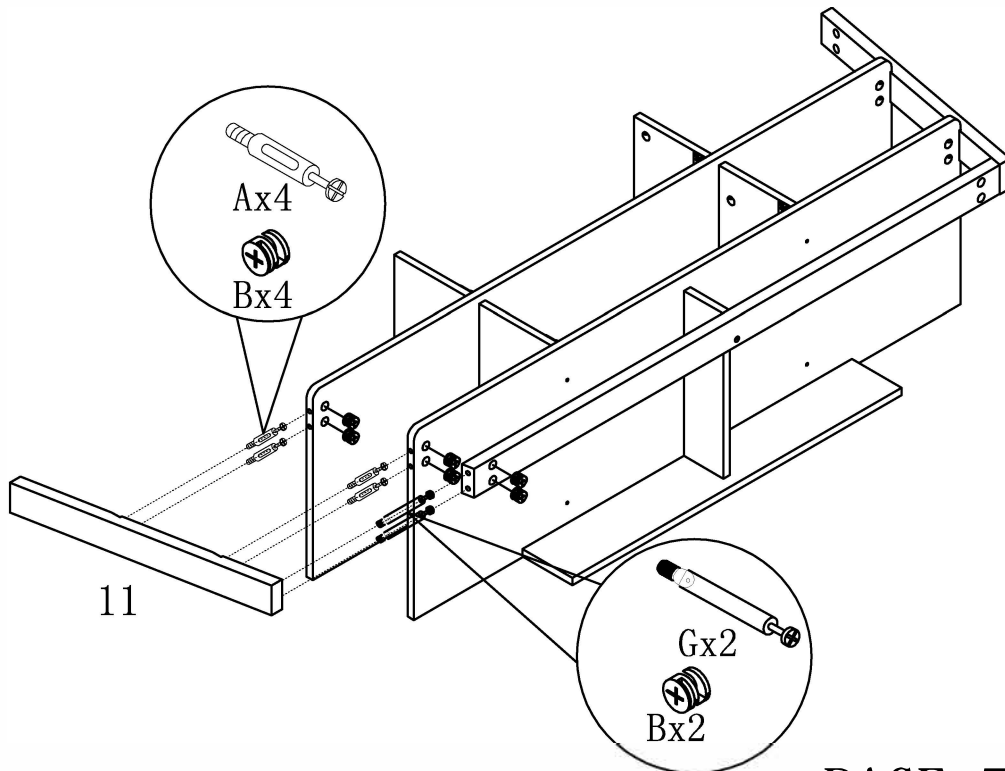


ASSEMBLY INSTRUCTIONS

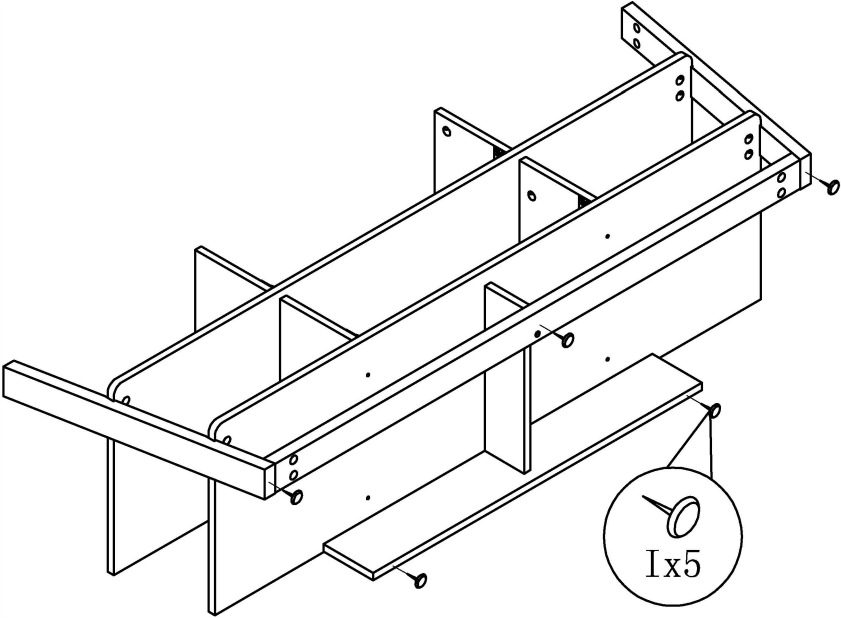


STEP7

STEP8

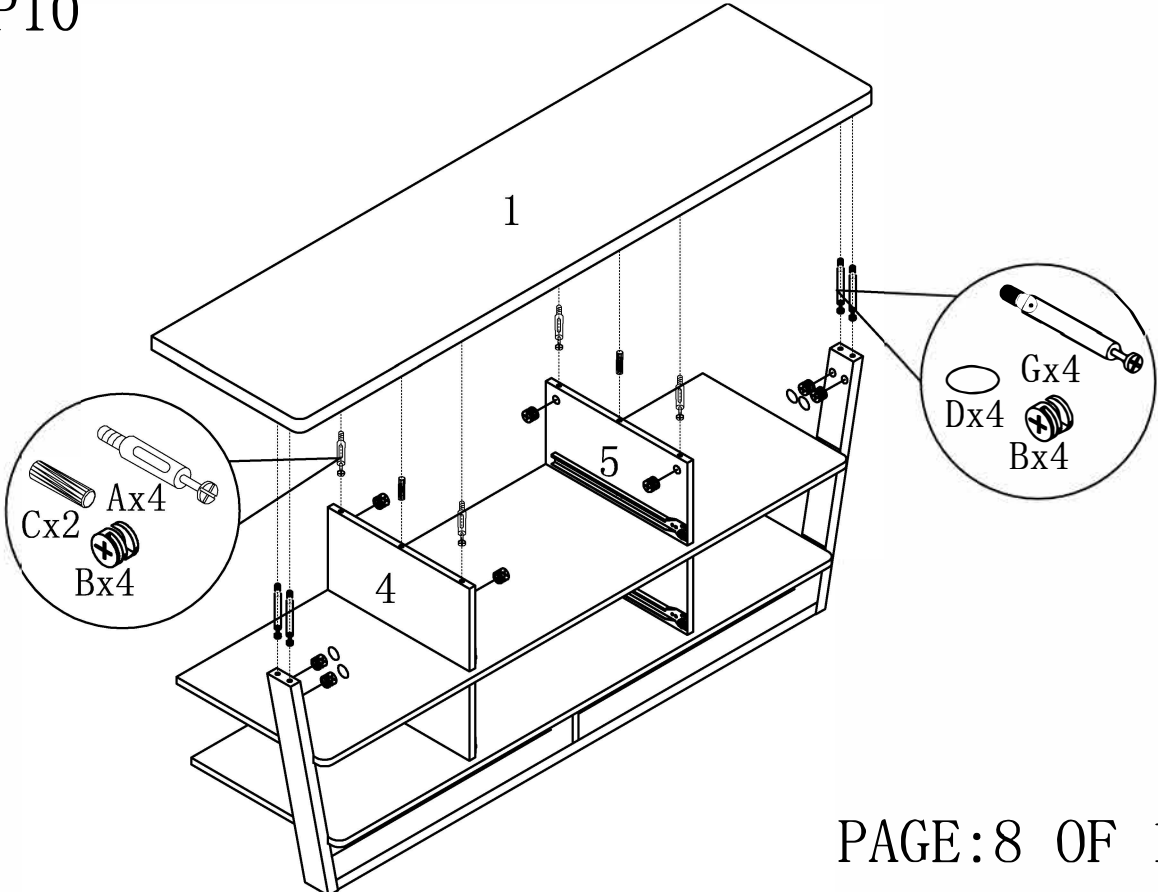


ASSEMBLY INSTRUCTIONS

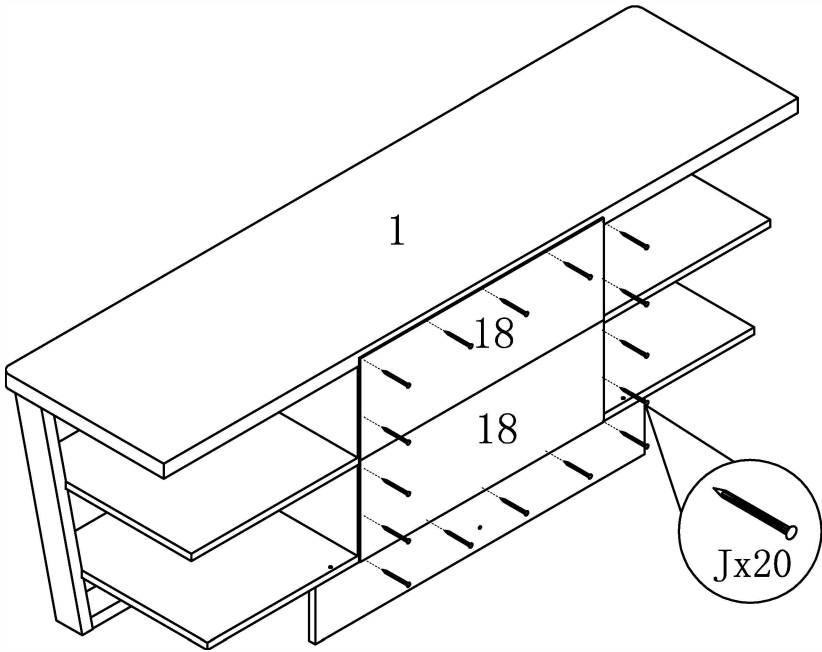


STEP9

STEP10

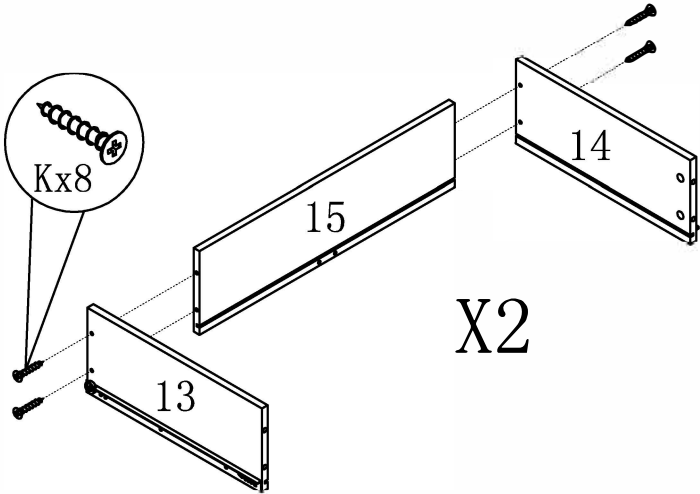


ASSEMBLY INSTRUCTIONS



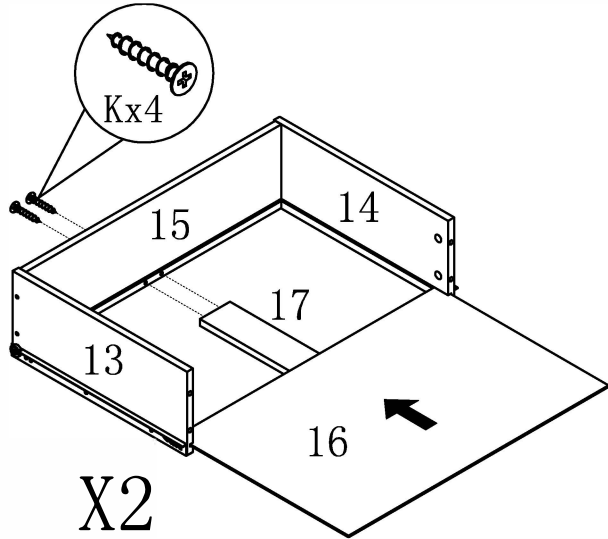
STEP 11

STEP 12



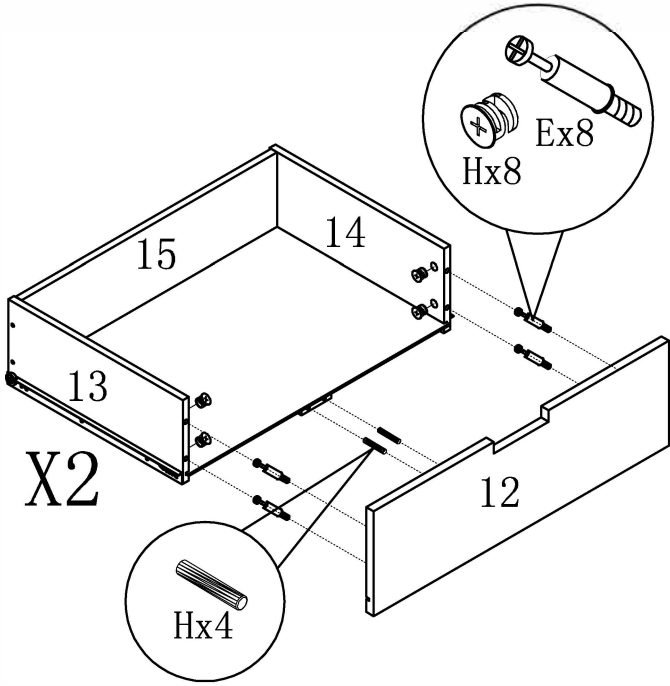
X2

ASSEMBLY INSTRUCTIONS

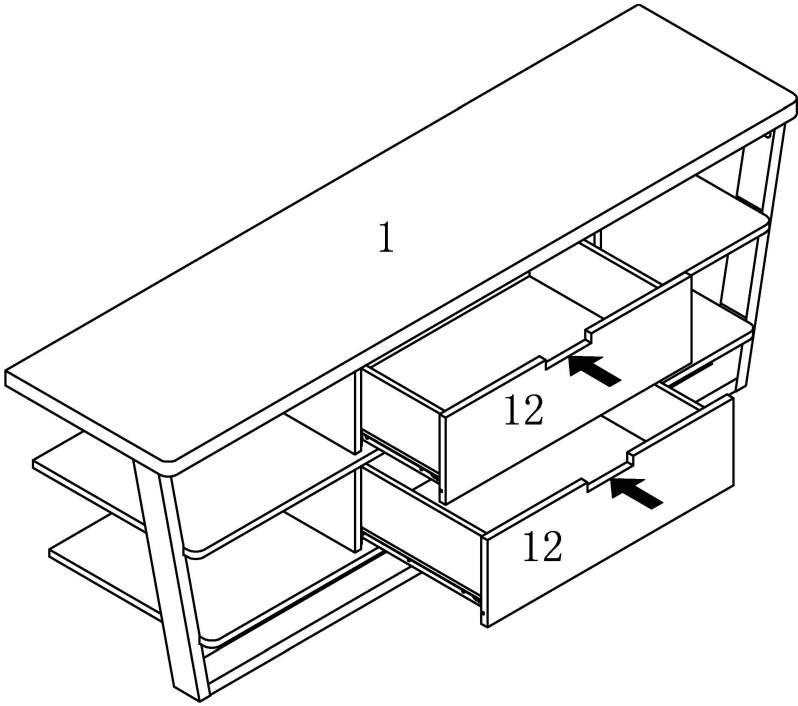


STEP 13

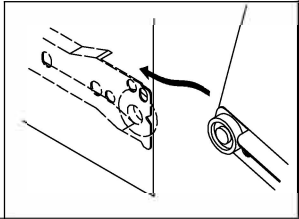
STEP 14



ASSEMBLY INSTRUCTIONS



STEP 15



STEP 16

