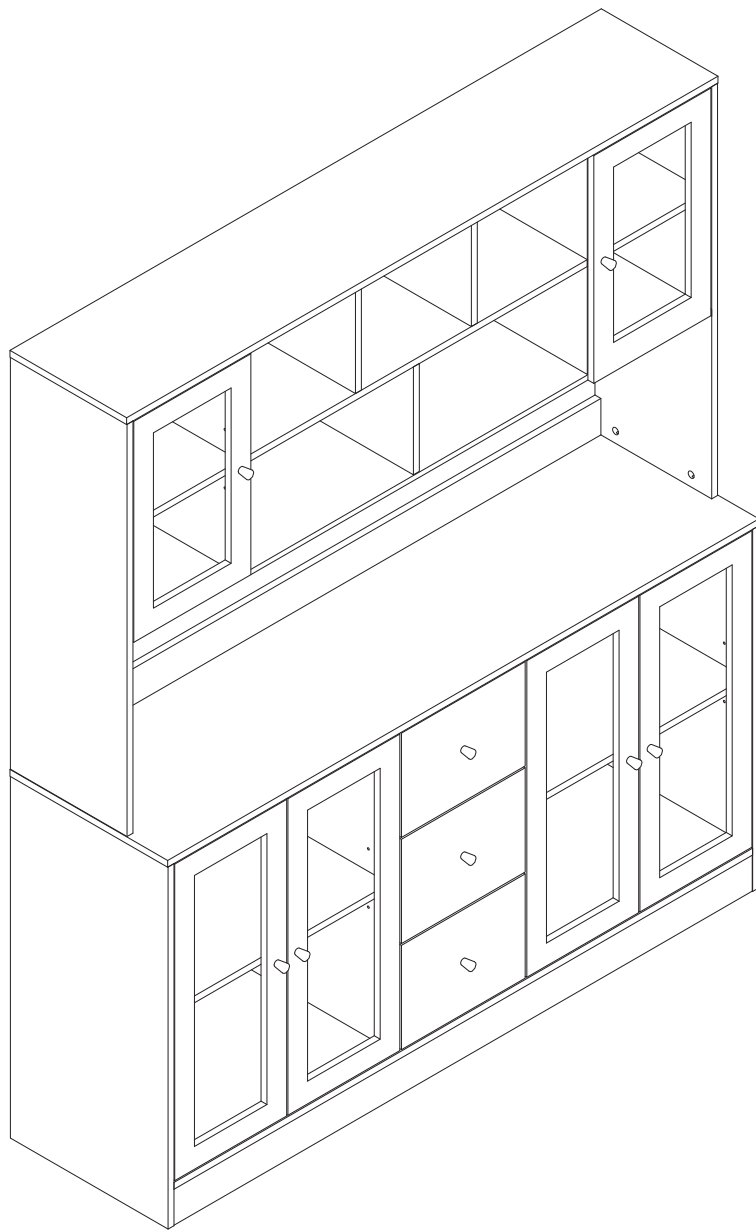


STORAGE CABINET

User Manual



INTRODUCTION

Thank you for choosing the Storage Cabinet. Please read this user manual carefully and keep it for future reference. If you need any assistance, please contact us by email with your order number and details.

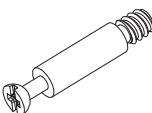
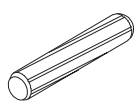
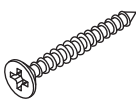
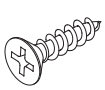
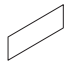
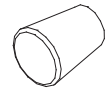
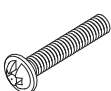

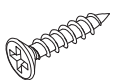
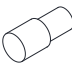
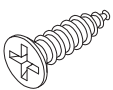
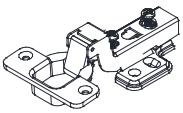
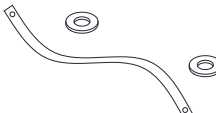
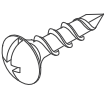
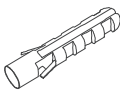

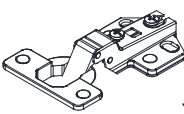
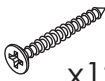
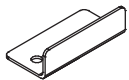
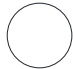
PACKAGE CONTENTS


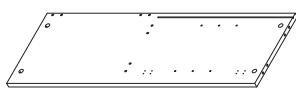

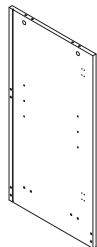
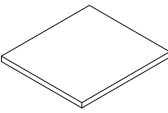
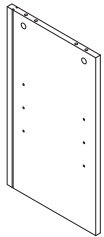

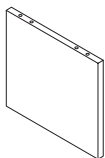
- 1 x Storage Cabinet
- 2 x Pack of Accessories
- 1 x User Manual

PRODUCT CARE

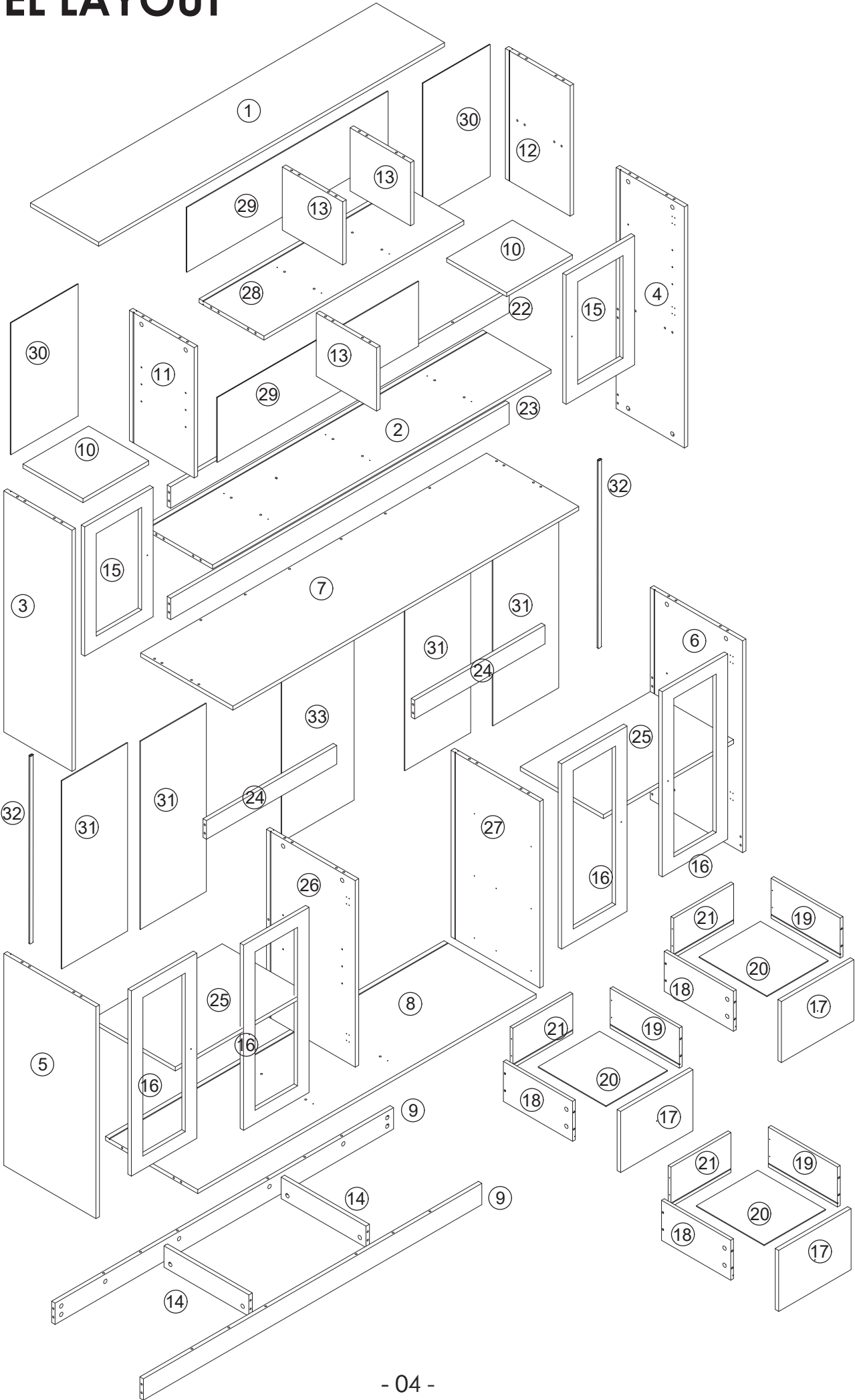
- Please follow the instruction to assemble this item correctly.
- Don't make the screws be too loose or too tight.
- Please put the screws into the holes' position just as shown in the arrows of the image, and then clockwise rotate 90° or 180°
- More product parts, it is recommended that two people install
- The fittings pack contains small accessories that should be kept away from small children.

HARDWARE SUPPLIED → (B) BOX

| | | | | |
|--|---|--|--|--|
| A M6*36mm  x94 | B M15*9.5mm  x94 | C M5.8*30mm  x64 | D M4*35mm  x16 | E M3.5*12mm  x36 |
| F  x12 | G  x9 | H M4*16mm  x9 | I  x42 | J M3*16mm  x42 |
| K  x16 | L M4*14mm  x72 | M  x8 | N  x2 | O M4*14mm  x6 |
| P  x2 | Q (CL) (DL) (DR) (CR)  x3 x3 x3 x3 | | | |
| R  x4 | S M4*30mm  x12 | T  x2 | U  x10 | |

| PARTS LIST → (B) BOX | | | |
|--|--|---|--|
| Unit: (mm) | | | |
| 3 904*297  x1 | 4 904*297  x1 | 5 794*397  x1 | 6 794*397  x1 |
| 10 291*259  x2 | 11 490*279  x1 | 12 490*279  x1 | 13 237*261  x3 |

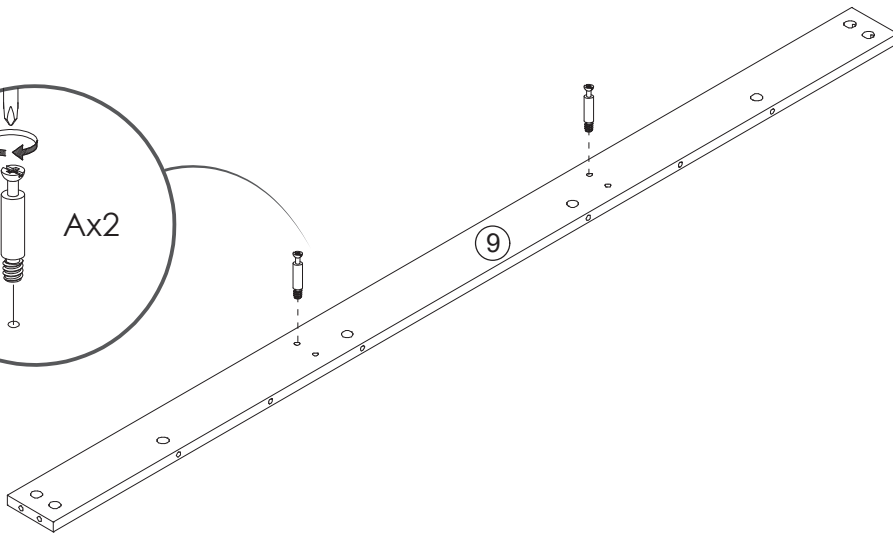
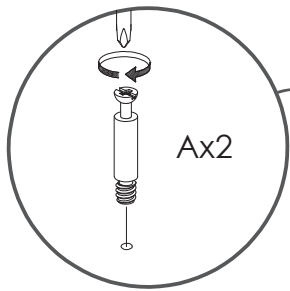
PANEL LAYOUT



1

YOU WILL NEED

A x4



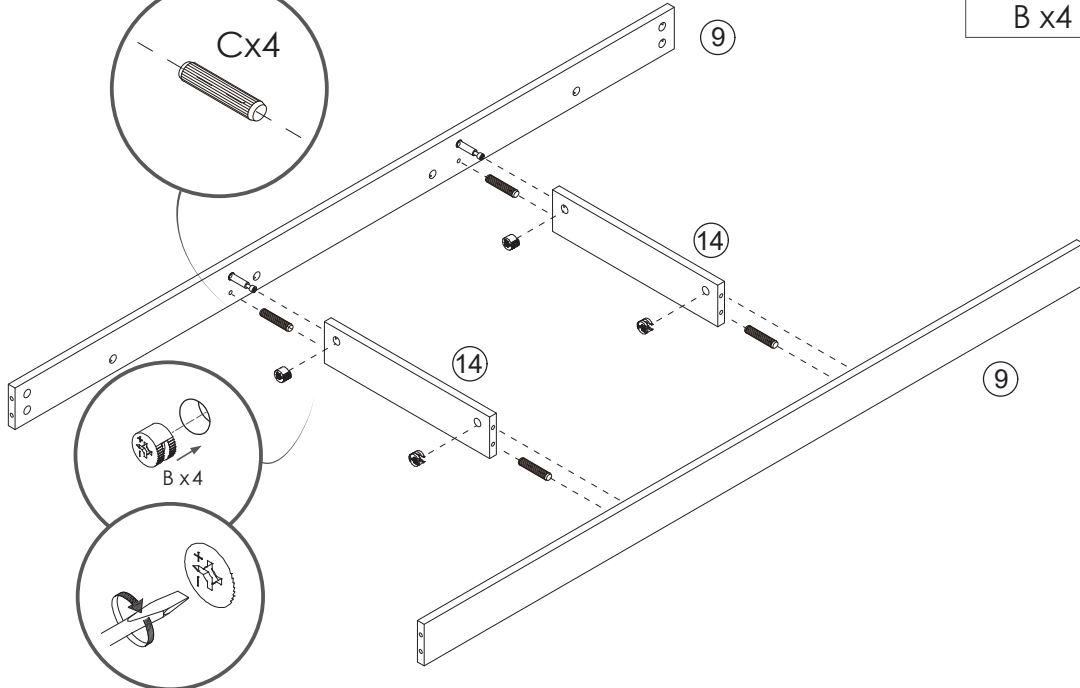
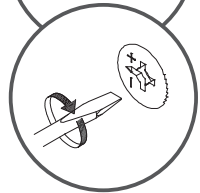
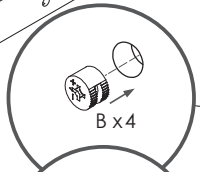
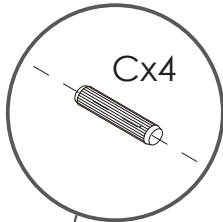
x2

2

YOU WILL NEED

B x4

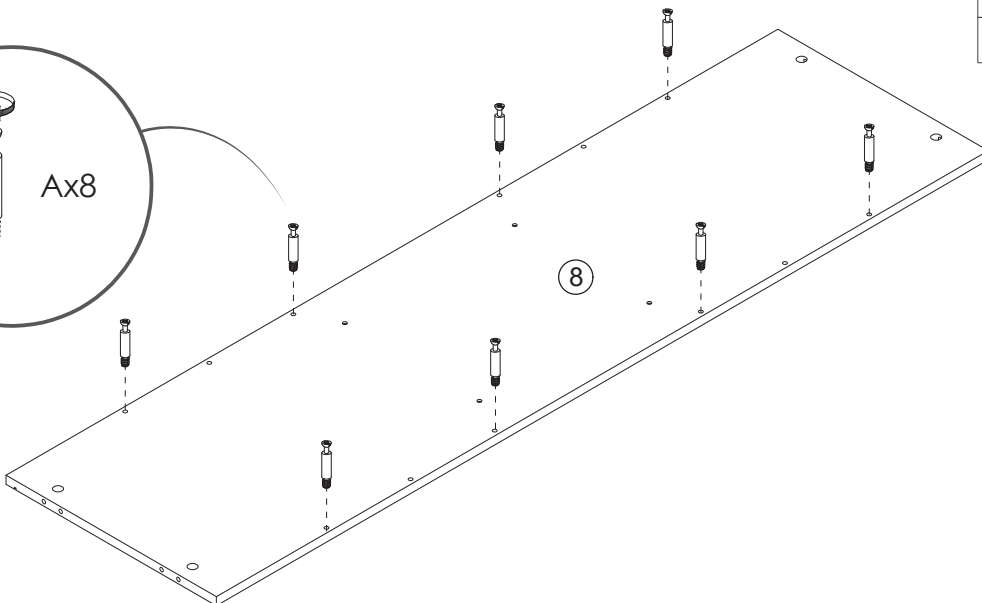
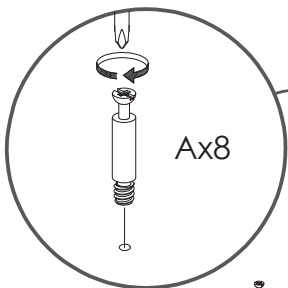
C x4



3

YOU WILL NEED

A x8

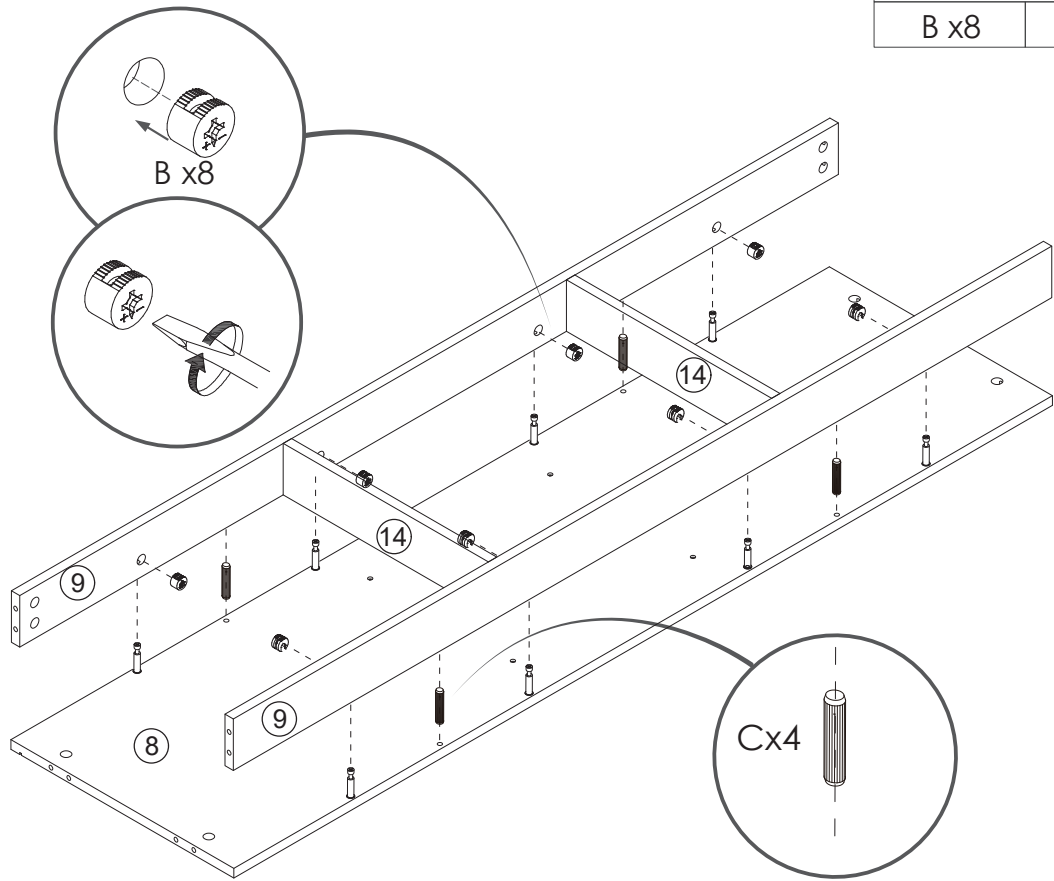


4

YOU WILL NEED

B x8

C x4



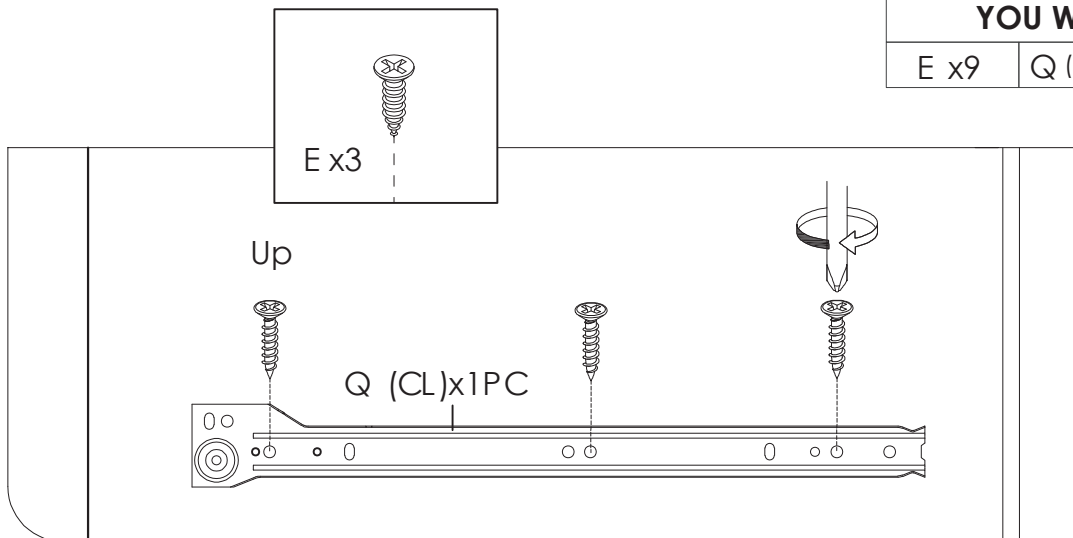
5

YOU WILL NEED

E x9

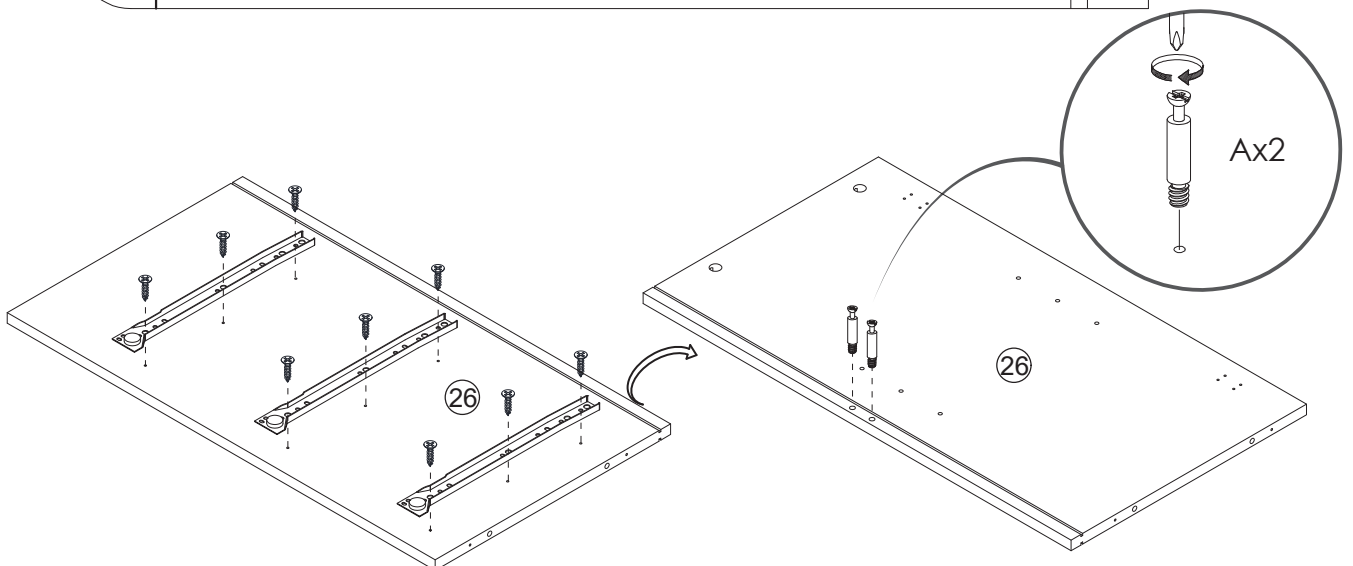
Q (CL) x3

A x2



FRONT

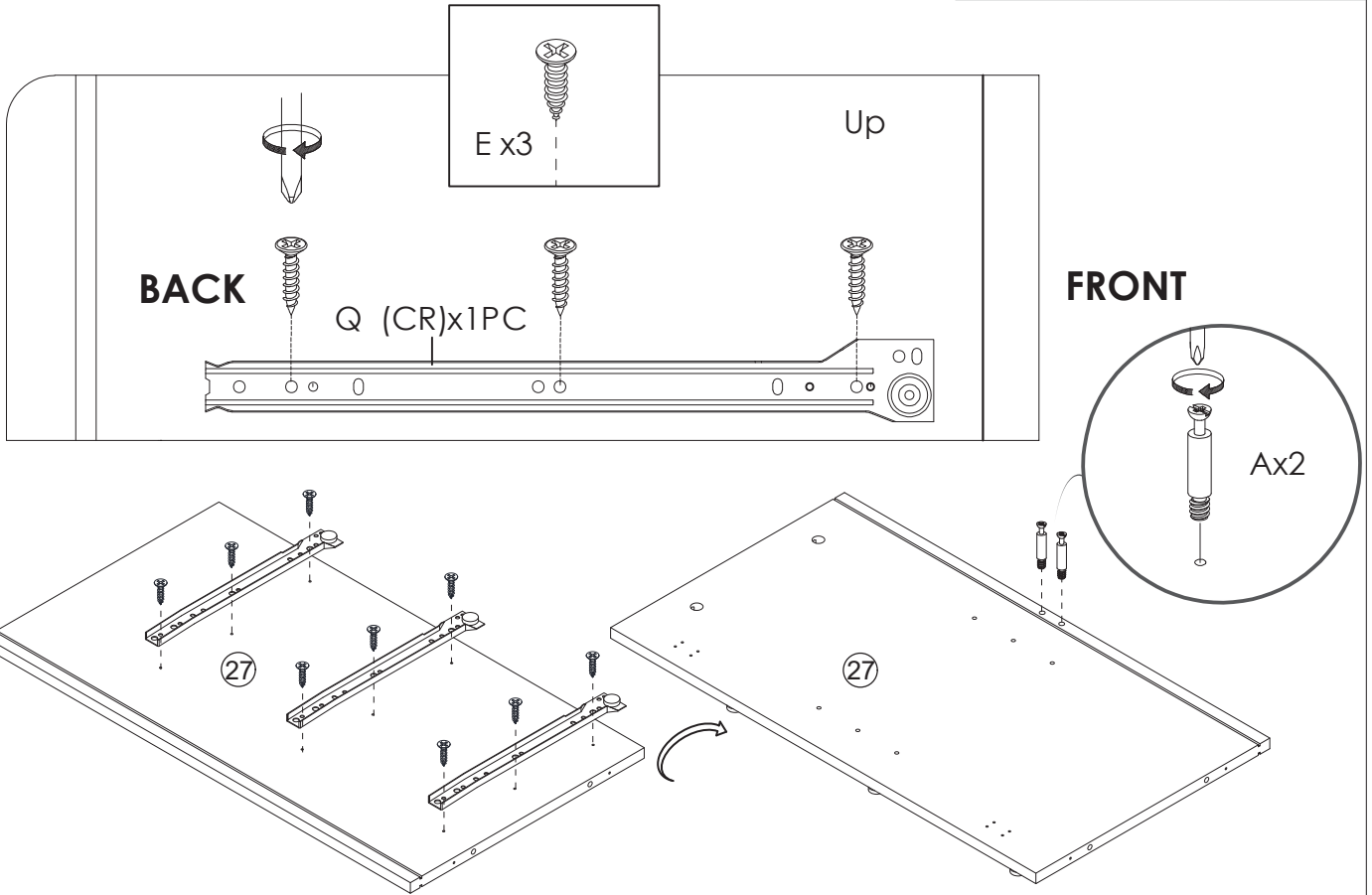
BACK



6

YOU WILL NEED

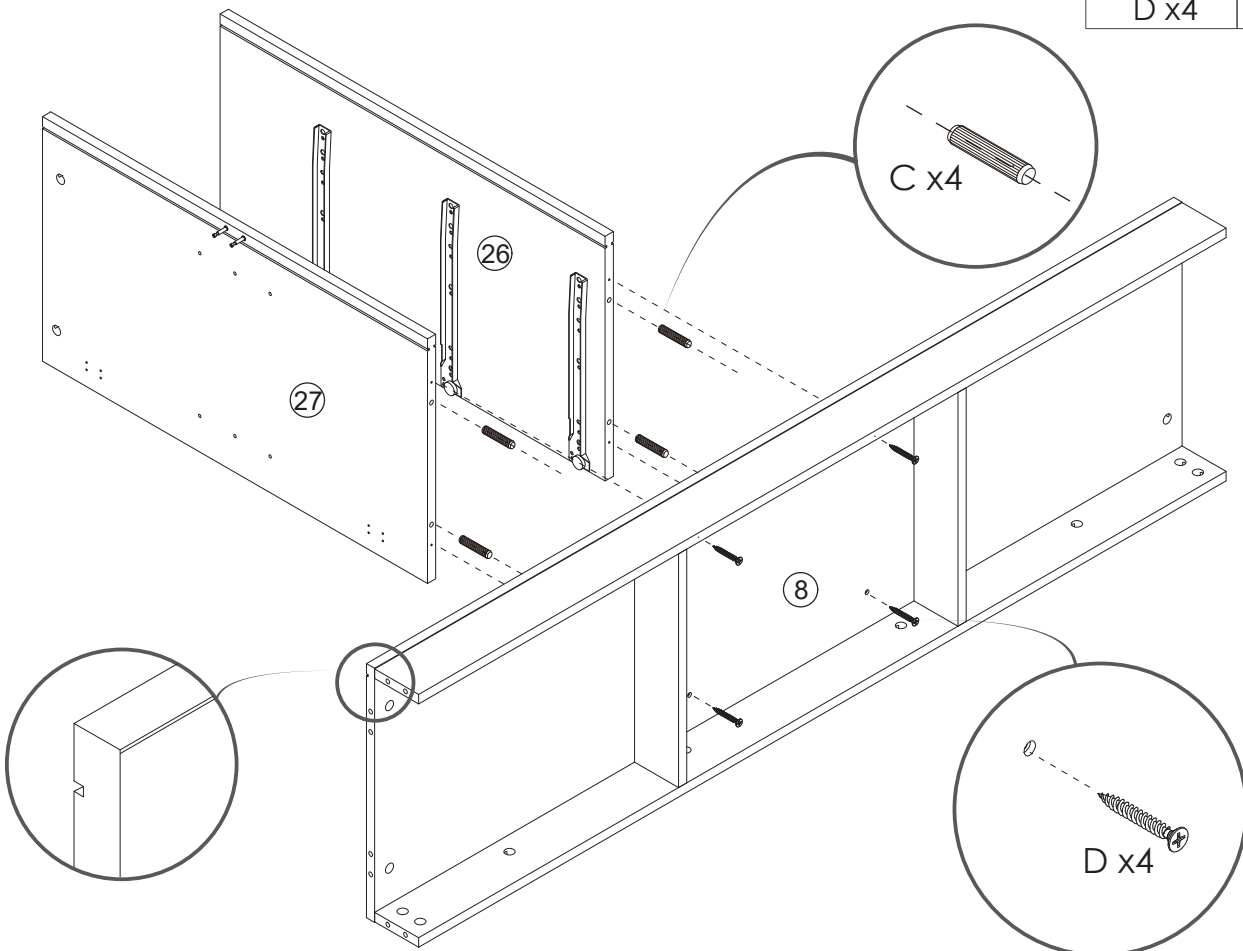
| | | |
|------|-----------|------|
| E x9 | Q (CR) x3 | A x2 |
|------|-----------|------|



7

YOU WILL NEED

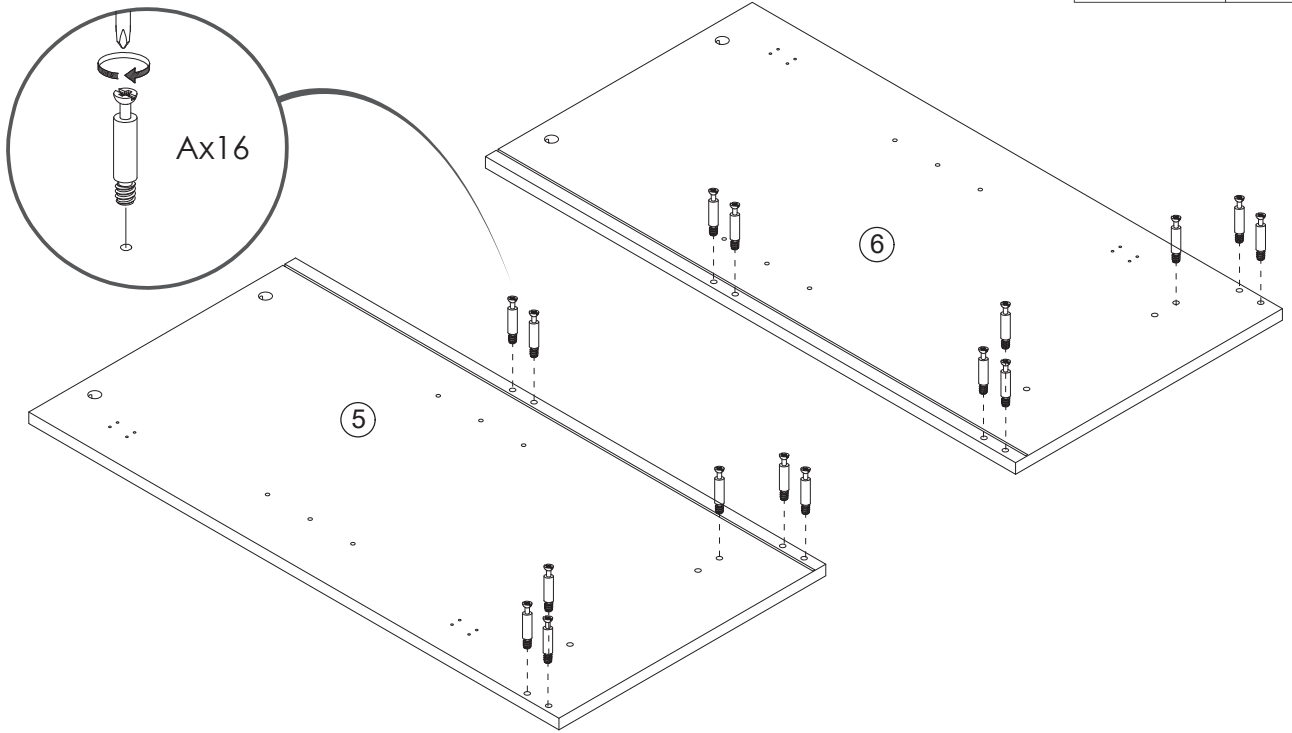
| | |
|------|------|
| D x4 | C x4 |
|------|------|



8

YOU WILL NEED

A x16

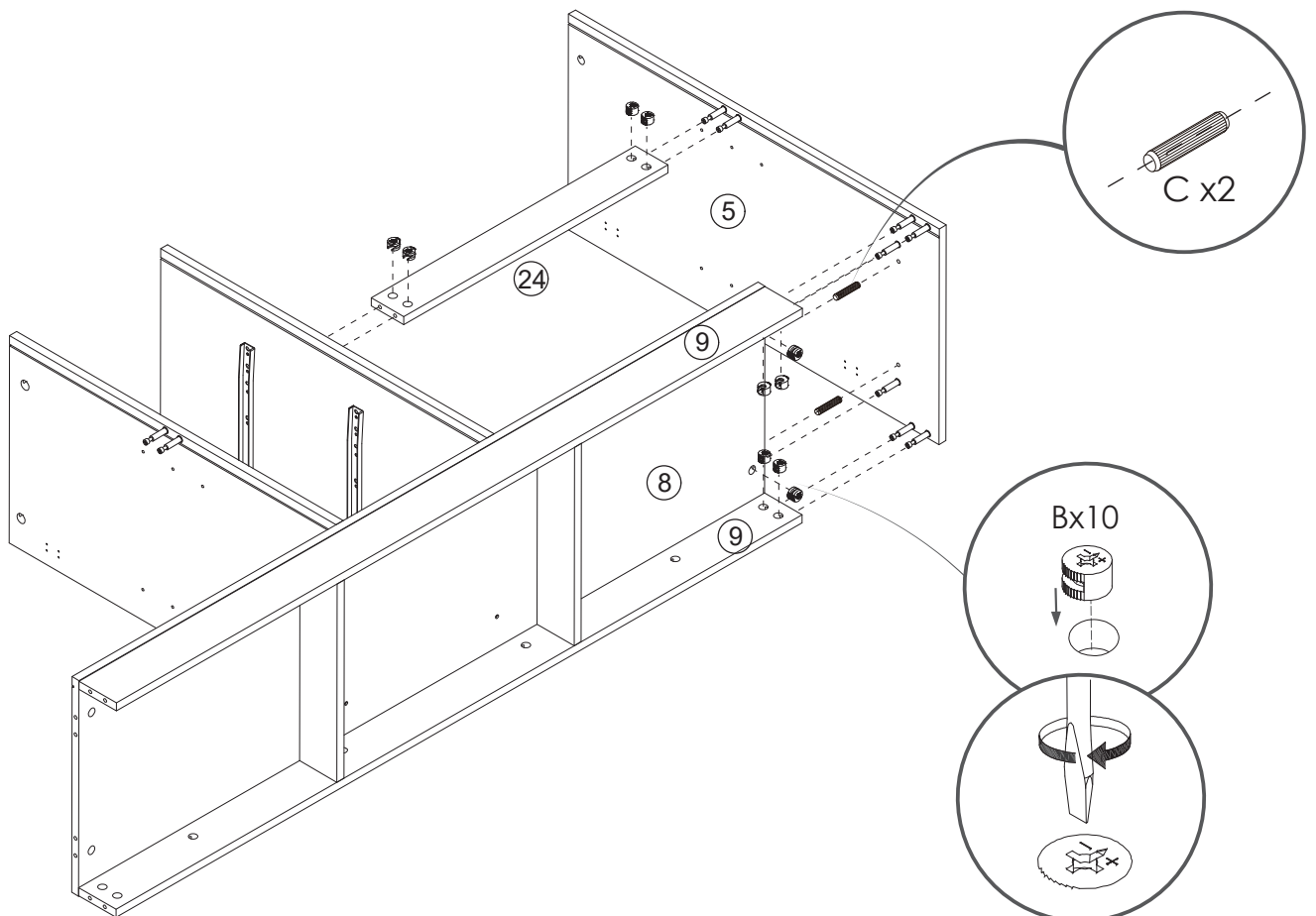


9

YOU WILL NEED

B x10

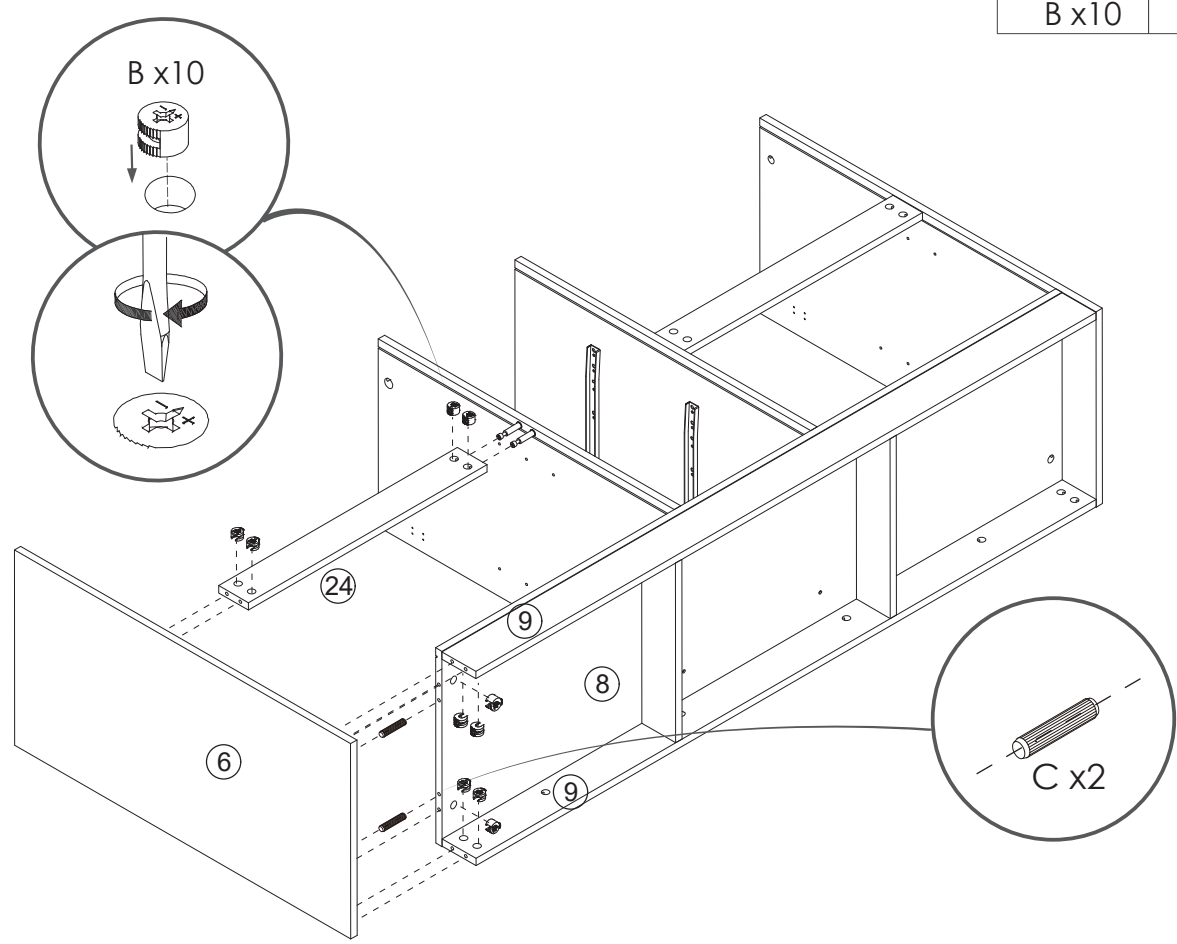
C x2



10

YOU WILL NEED

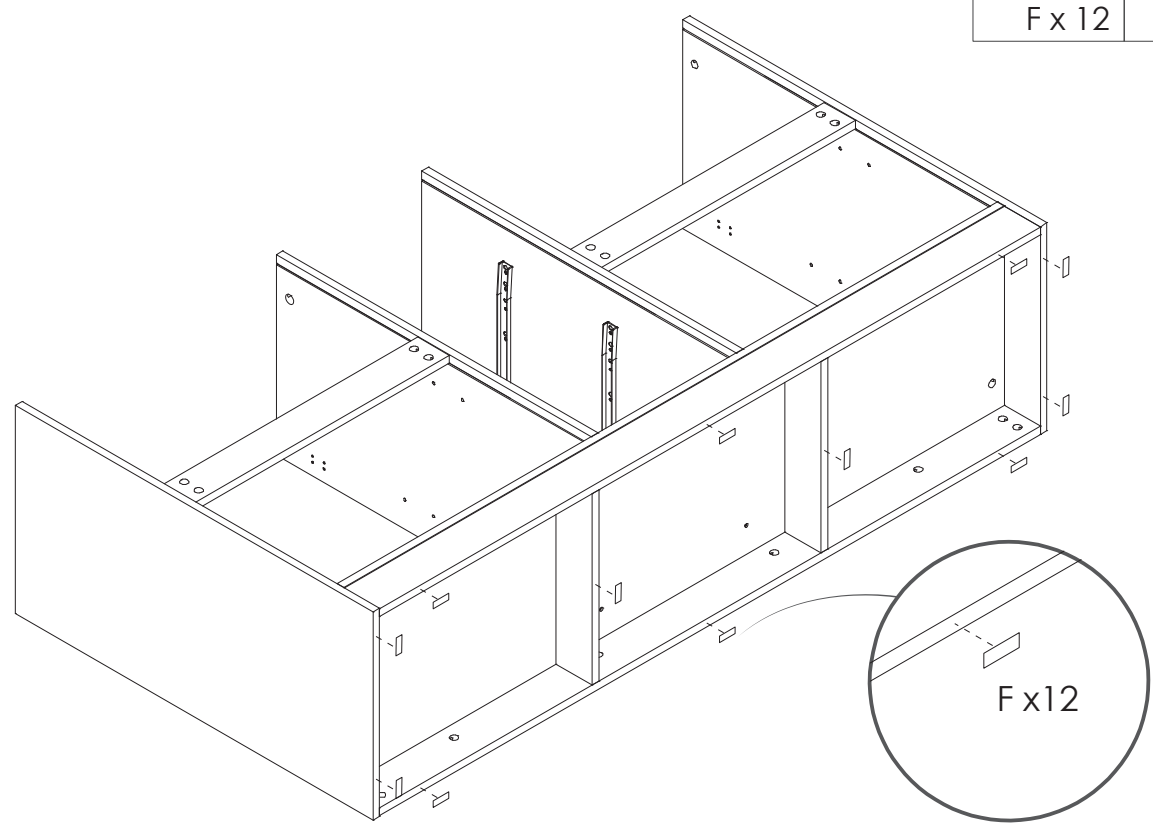
| | |
|-------|------|
| B x10 | C x2 |
|-------|------|



11

YOU WILL NEED

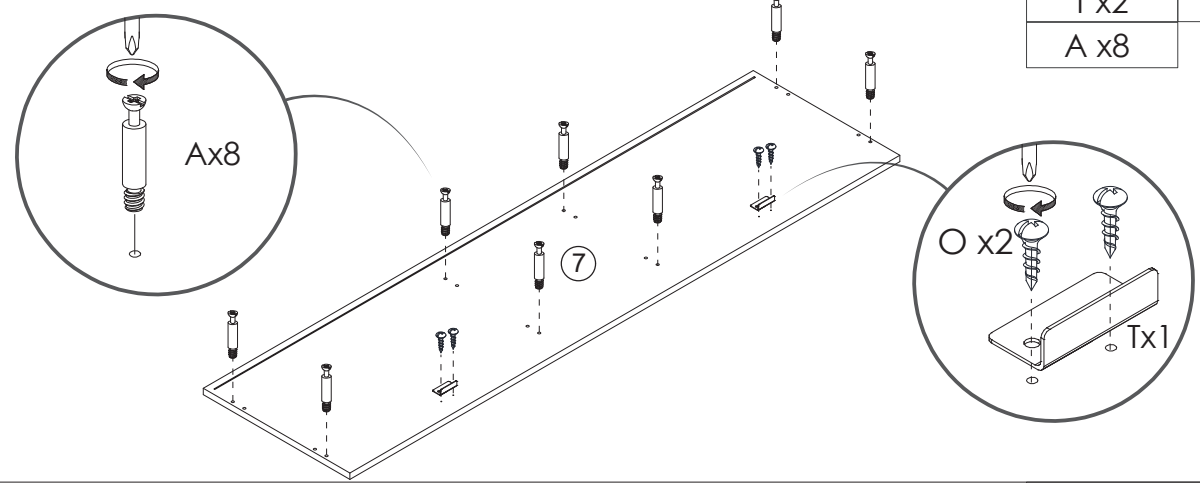
| | |
|-------|--|
| F x12 | |
|-------|--|



12

YOU WILL NEED

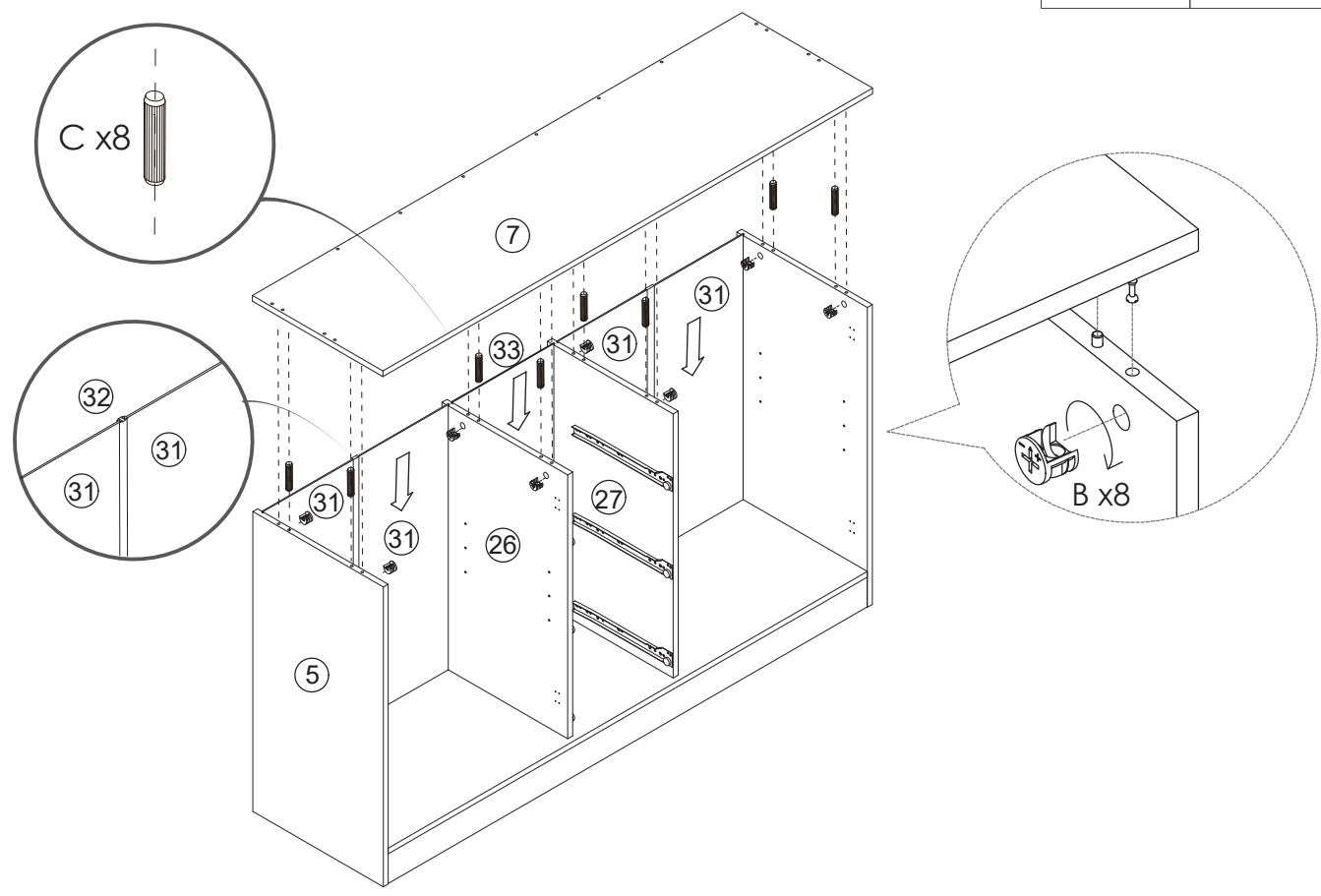
| | |
|------|------|
| T x2 | O x4 |
| A x8 | |



13

YOU WILL NEED

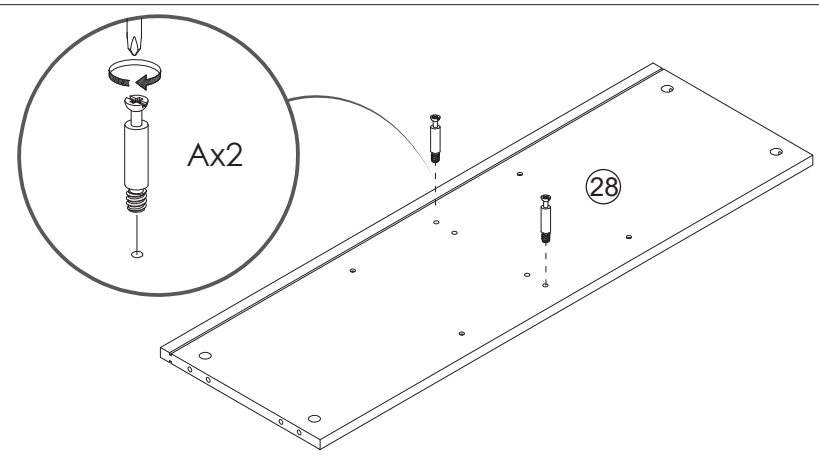
| | |
|------|------|
| B x8 | C x8 |
|------|------|



14

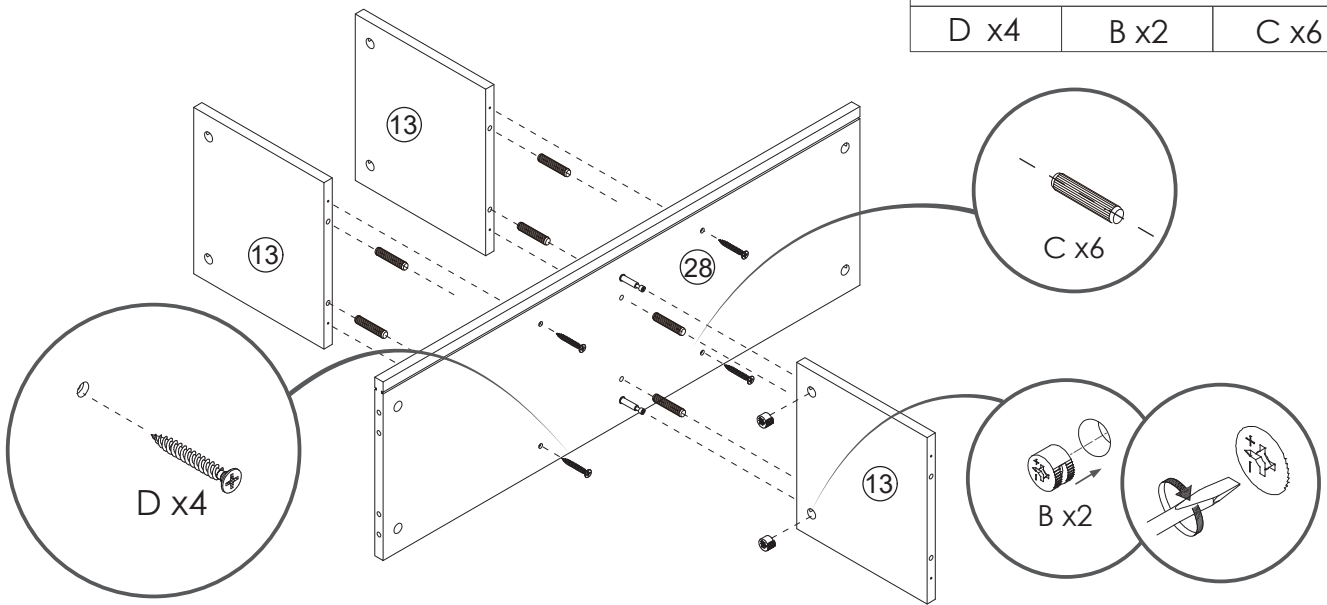
YOU WILL NEED

| | |
|------|--|
| A x2 | |
|------|--|



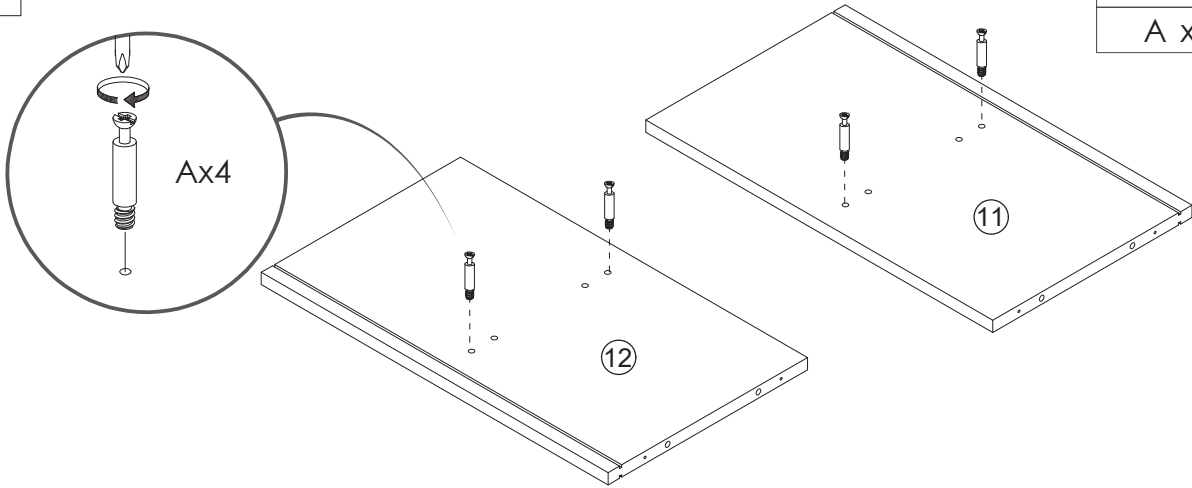
15

| YOU WILL NEED | | |
|---------------|------|------|
| D x4 | B x2 | C x6 |



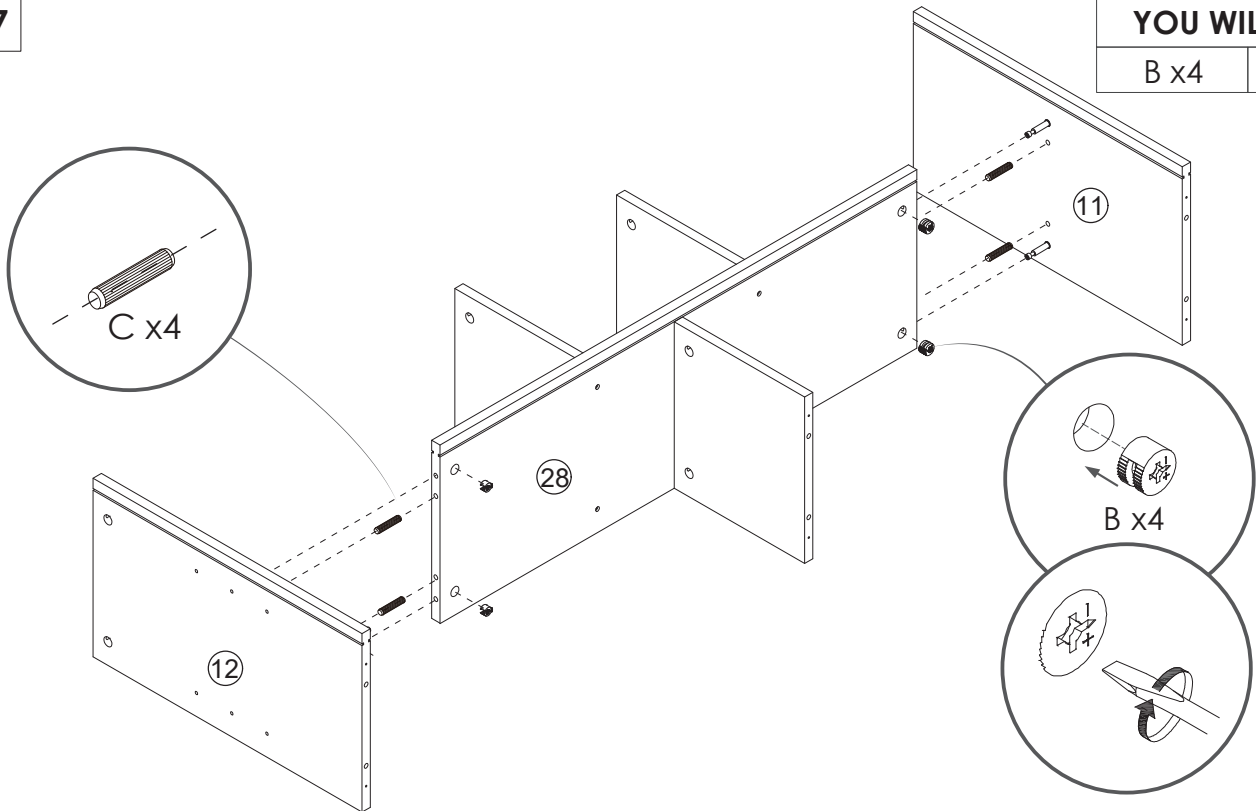
16

| YOU WILL NEED | |
|---------------|--|
| A x4 | |



17

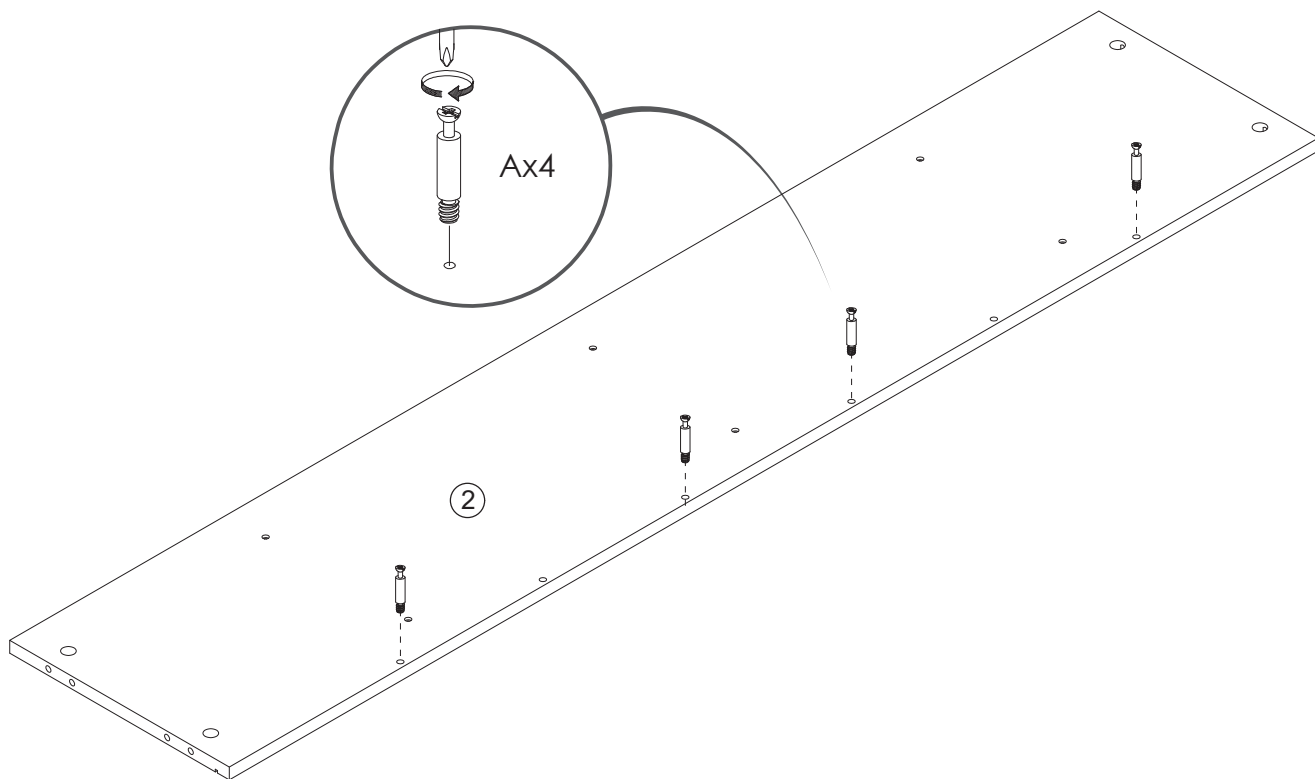
| YOU WILL NEED | |
|---------------|------|
| B x4 | C x4 |



18

YOU WILL NEED

A x4

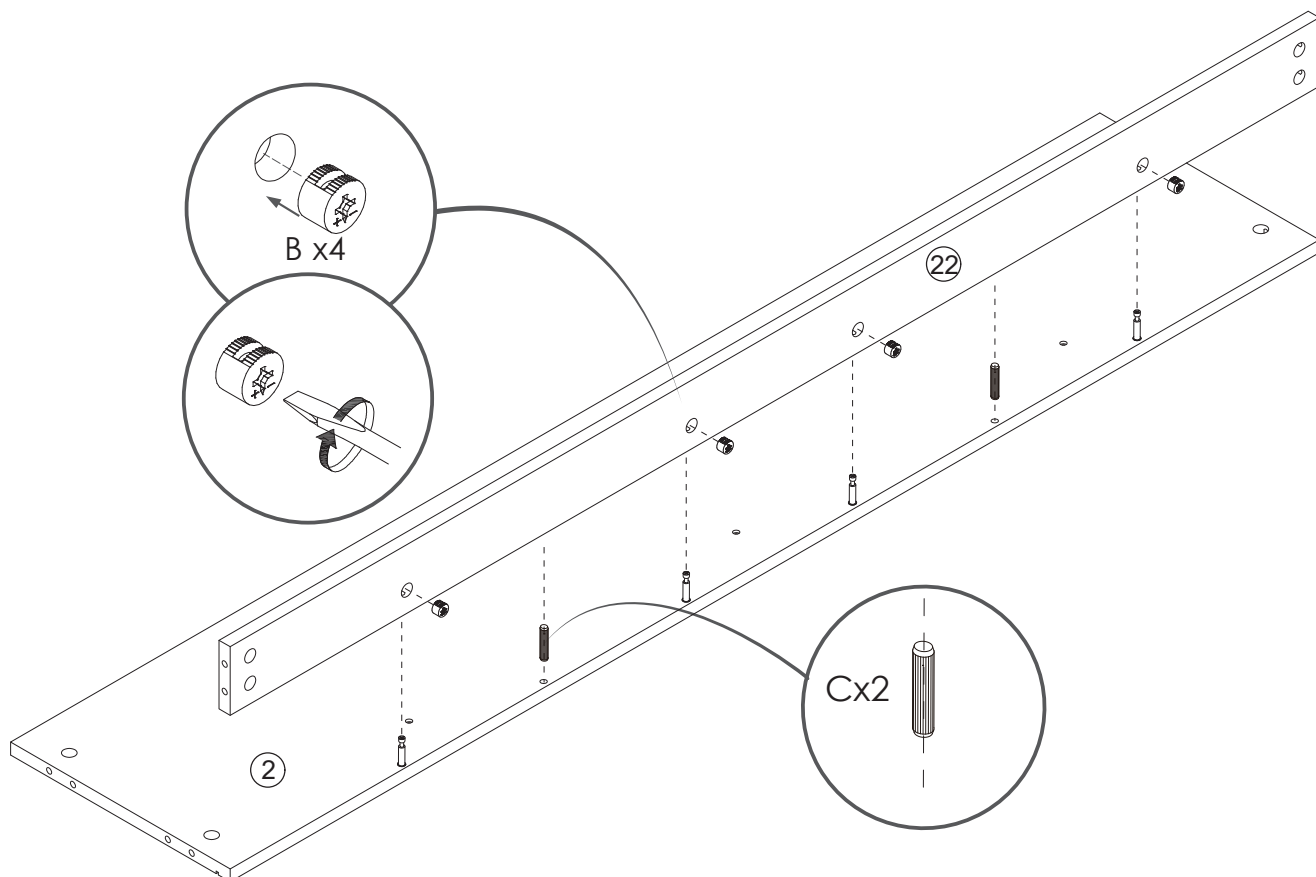


19

YOU WILL NEED

B x4

C x2

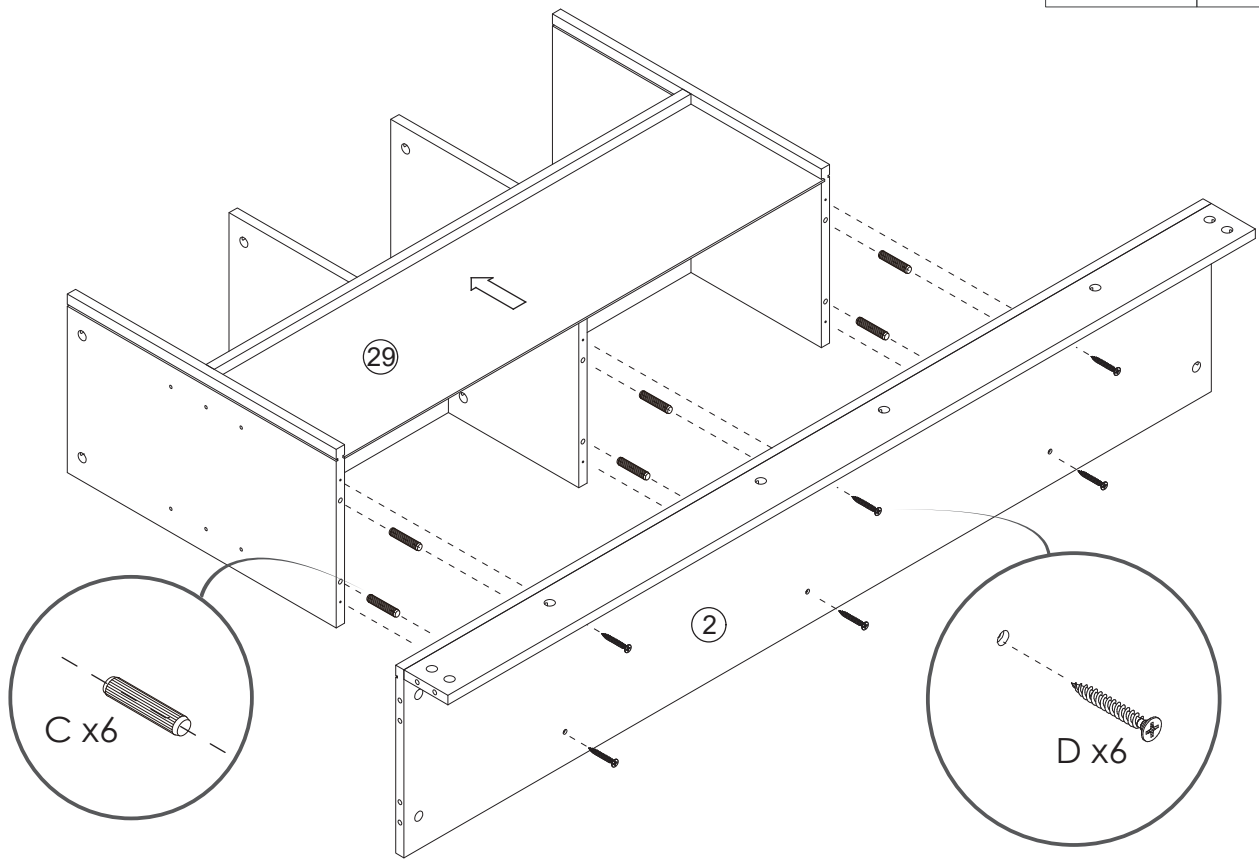


20

YOU WILL NEED

D x6

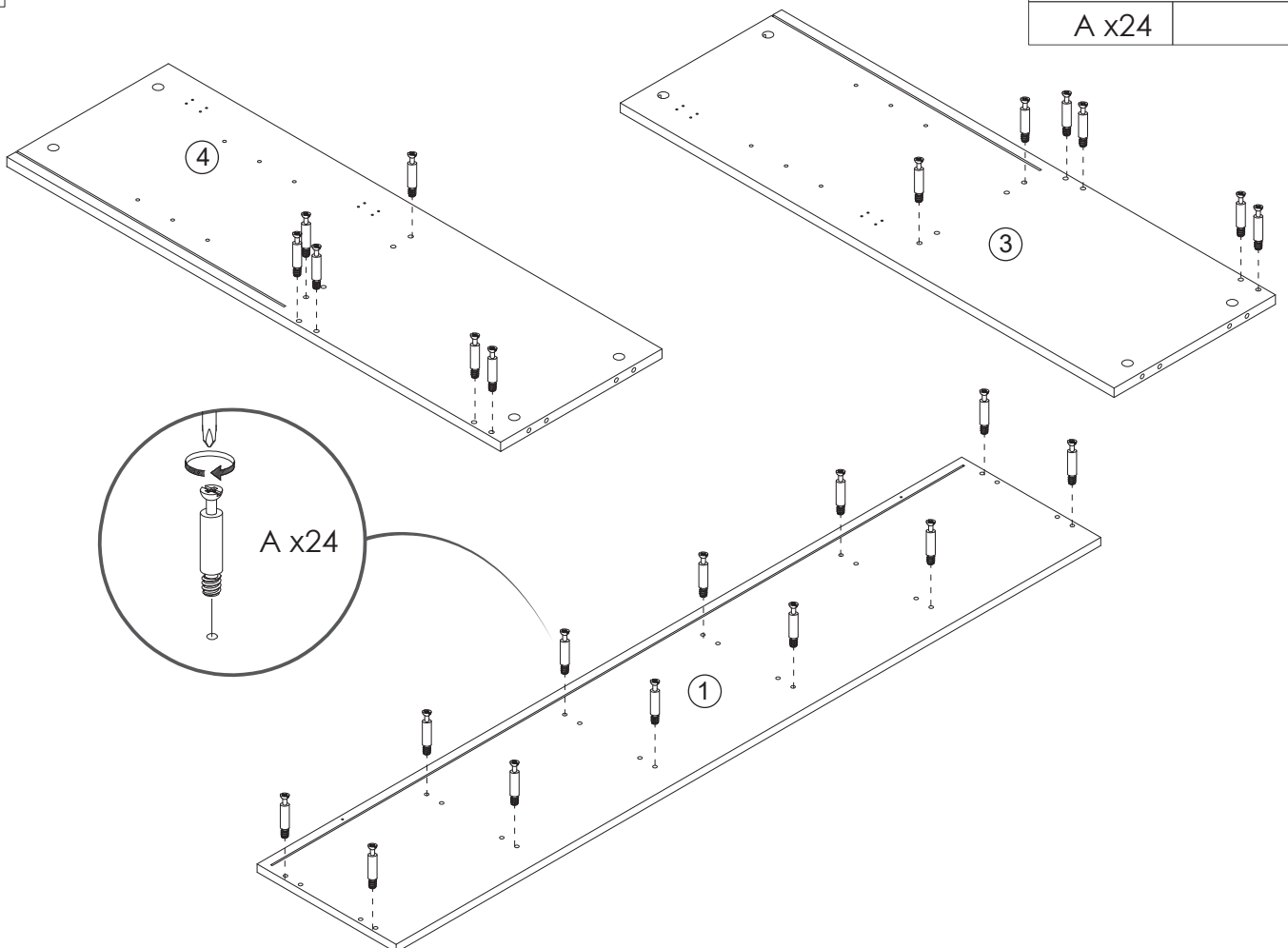
C x6



21

YOU WILL NEED

A x24

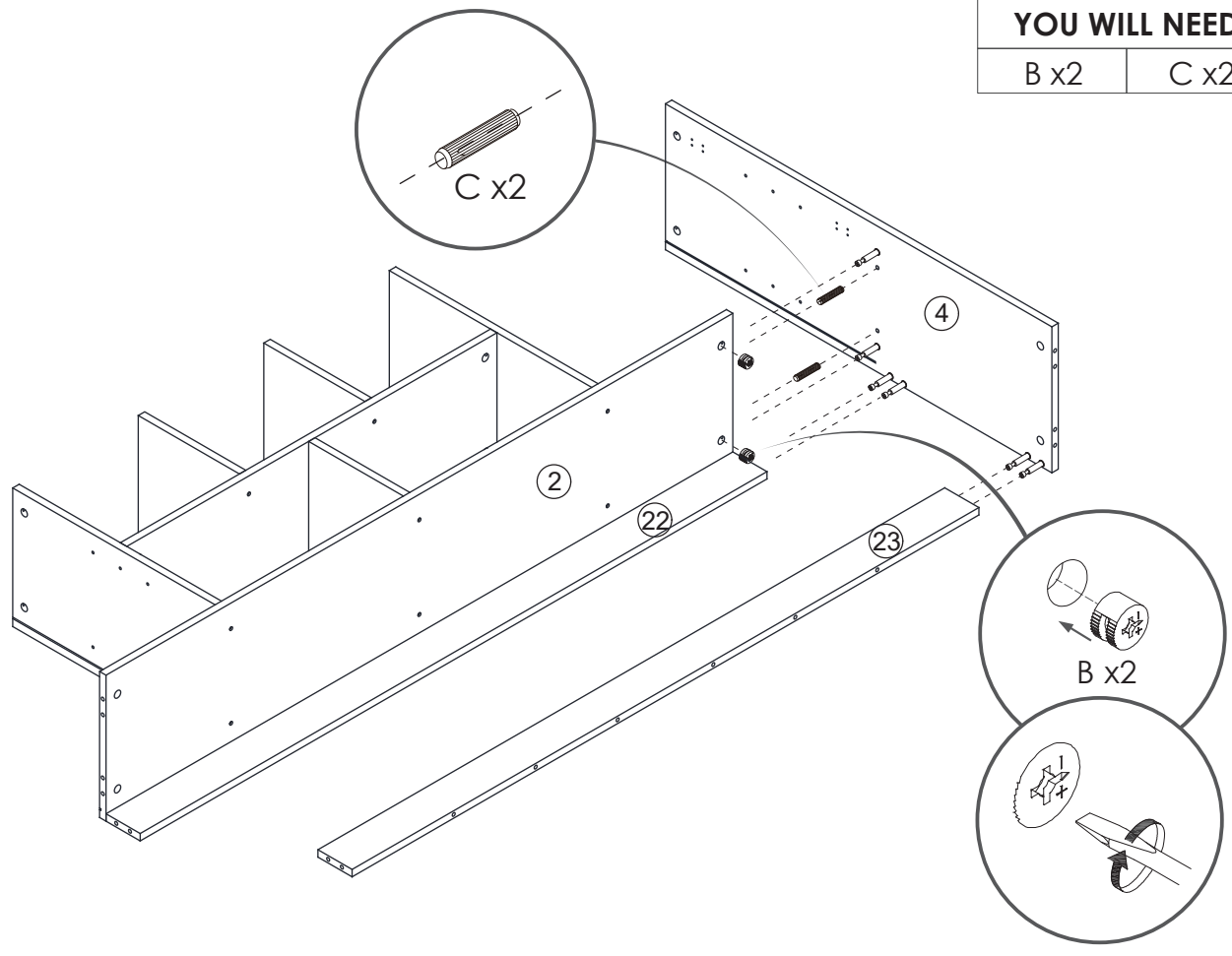


22

YOU WILL NEED

B x2

C x2

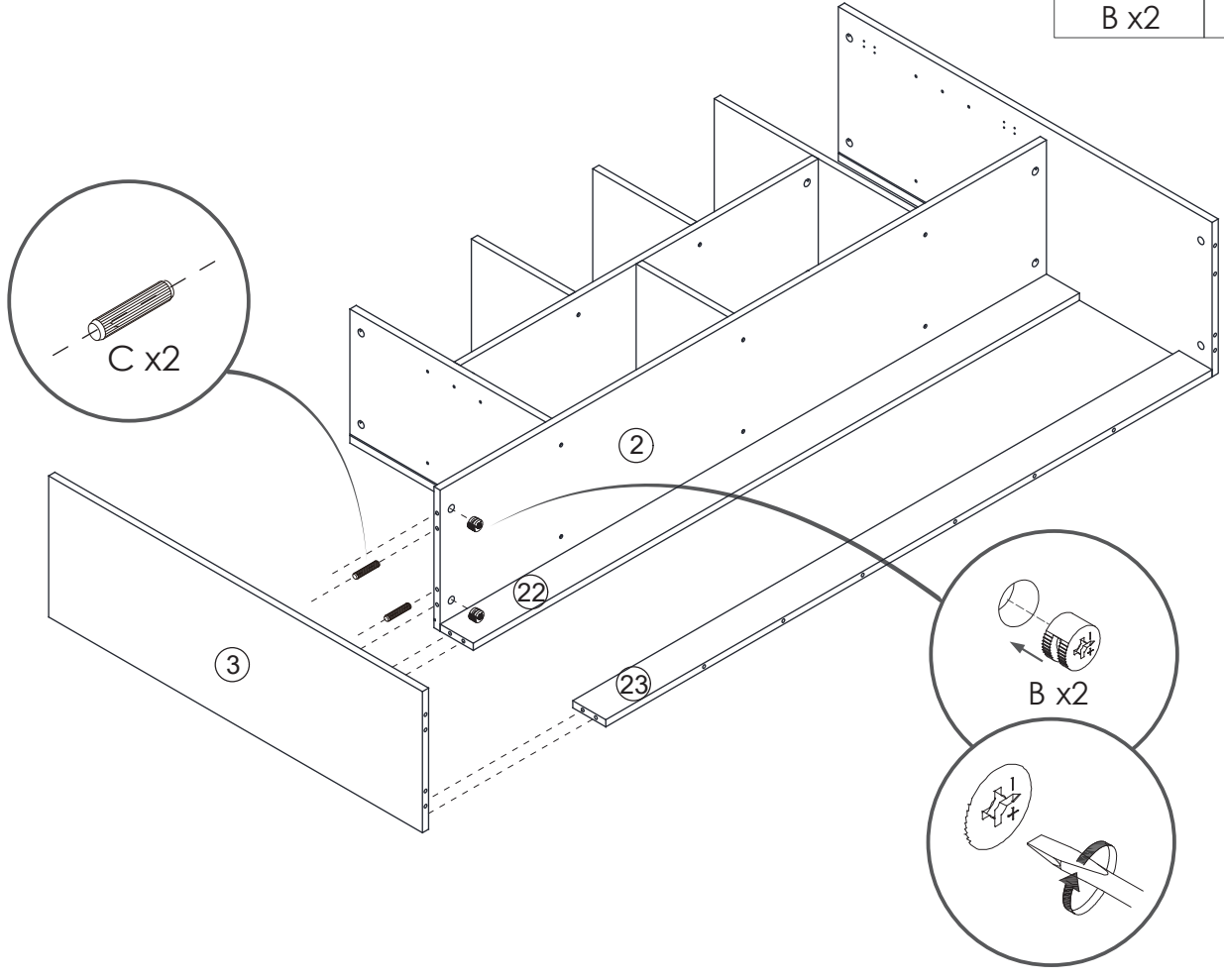


23

YOU WILL NEED

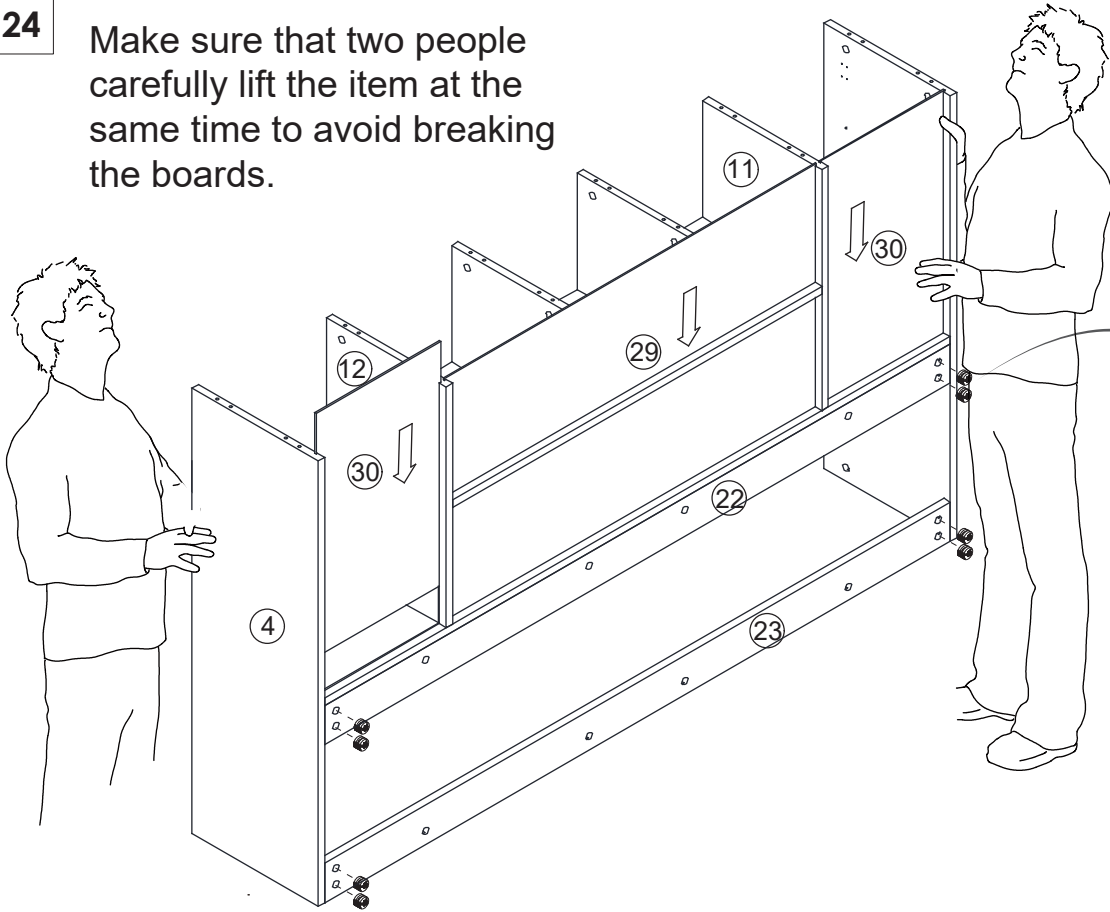
B x2

C x2



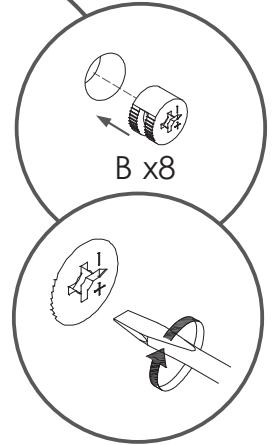
24

Make sure that two people carefully lift the item at the same time to avoid breaking the boards.



YOU WILL NEED

B x8

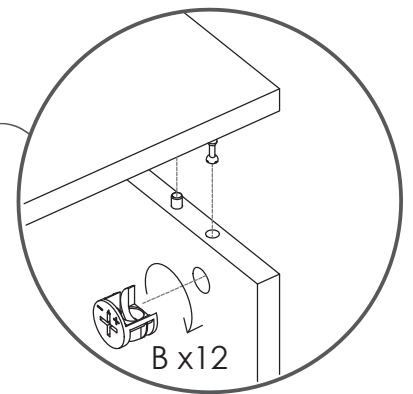
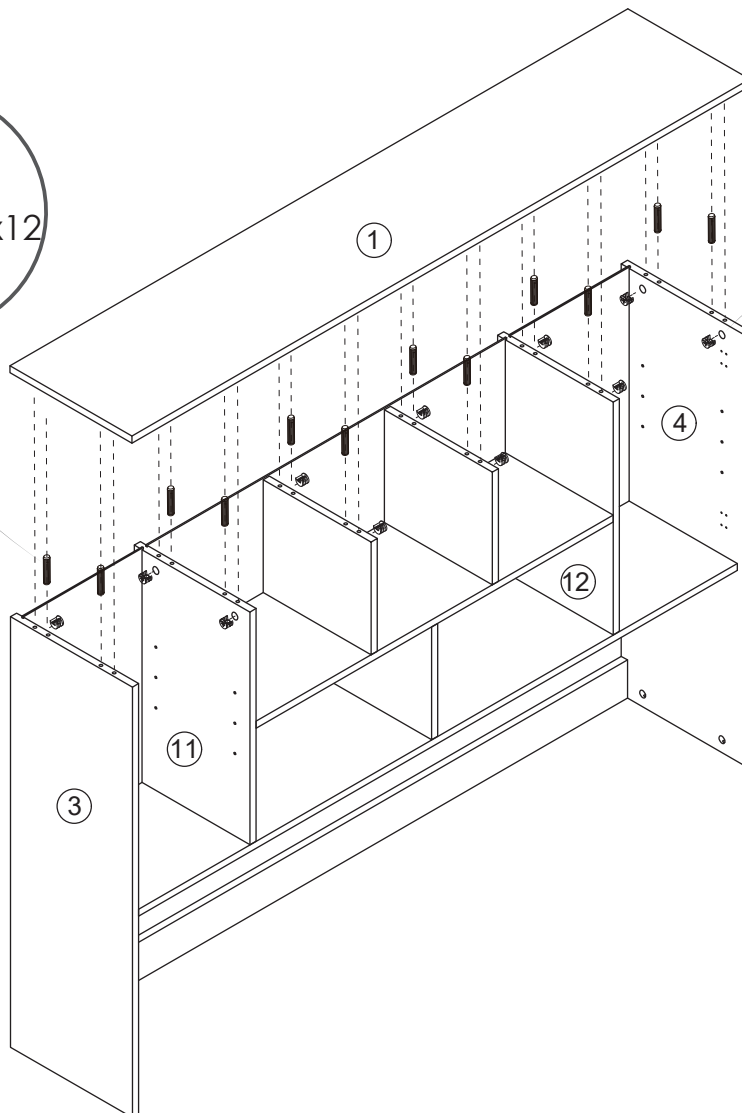
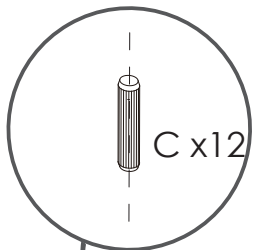


25

YOU WILL NEED

B x12

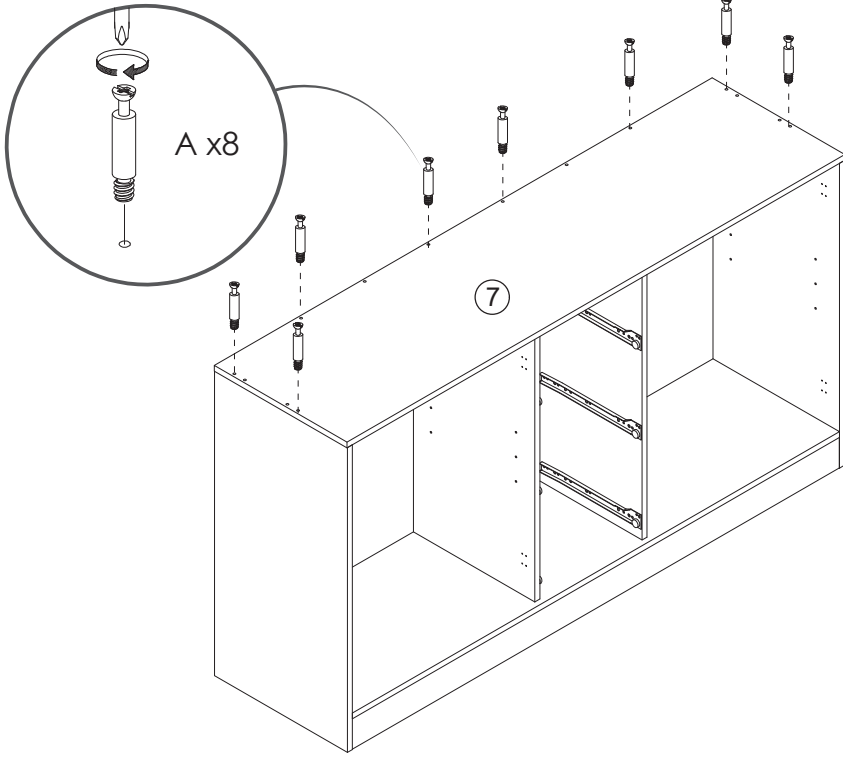
C x12



26

YOU WILL NEED

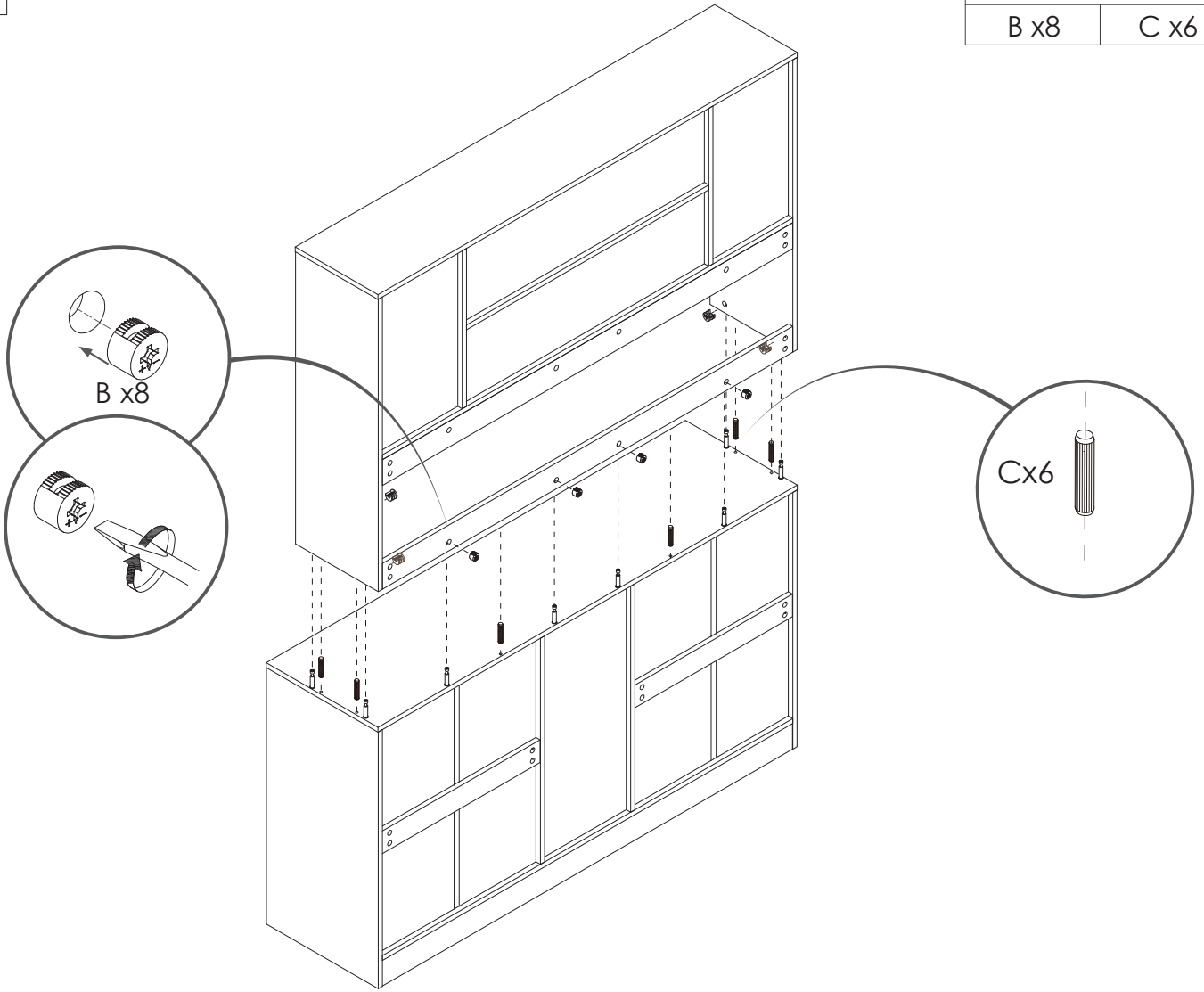
| | |
|------|--|
| A x8 | |
|------|--|



27

YOU WILL NEED

| | |
|------|------|
| B x8 | C x6 |
|------|------|



28

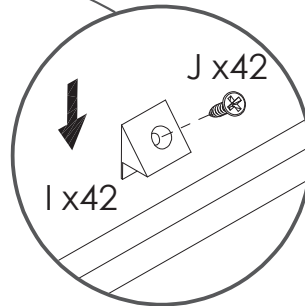
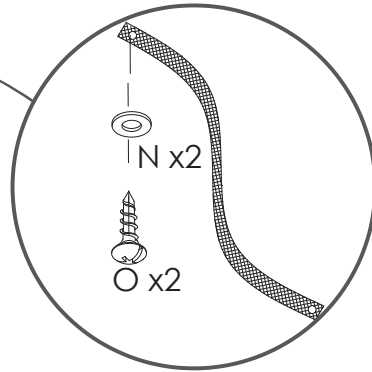
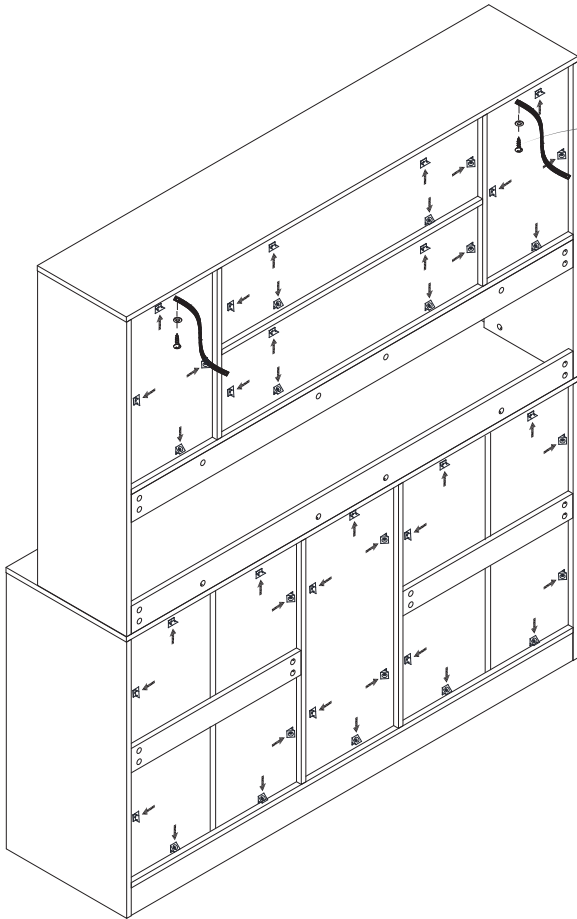
YOU WILL NEED

J x42

I x42

N x2

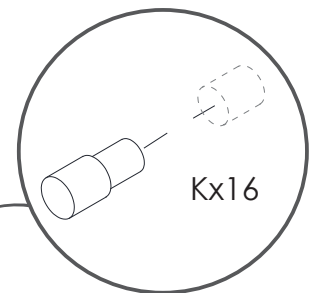
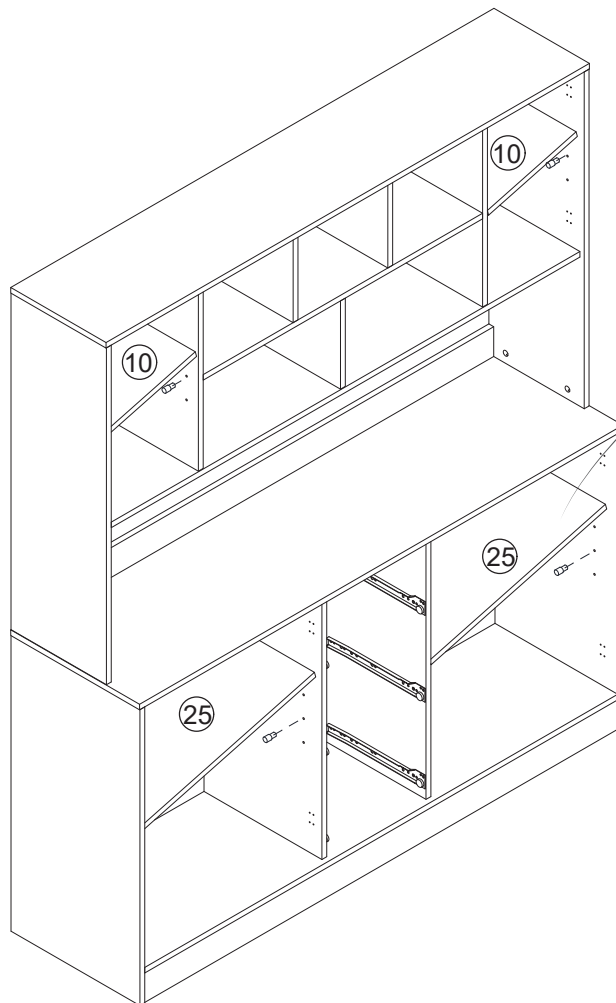
O x2



29

YOU WILL NEED

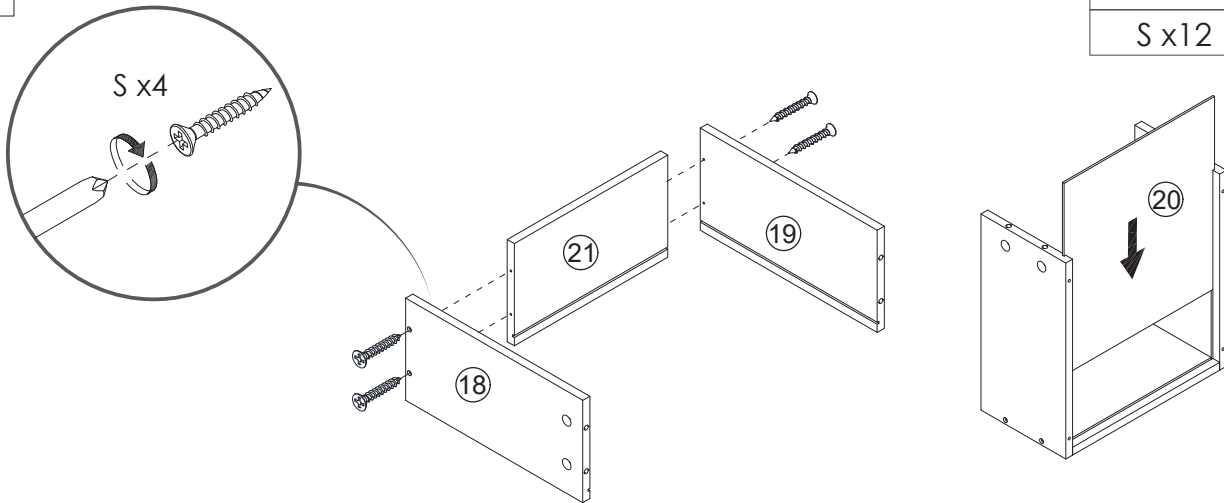
K x16



30

YOU WILL NEED

S x12



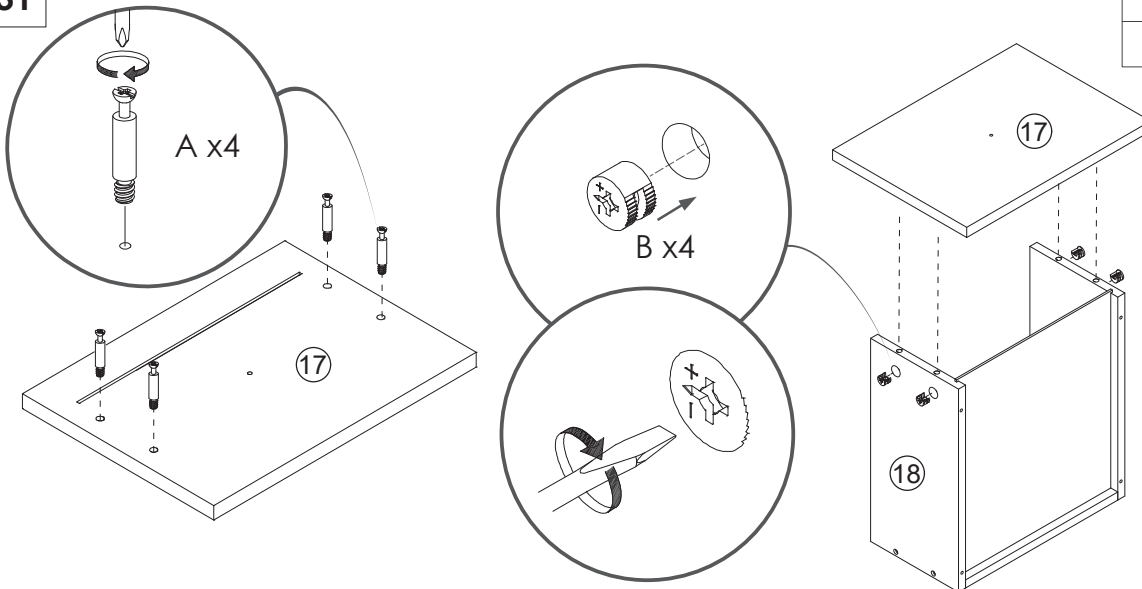
x3

31

YOU WILL NEED

A x12

B x12



x3

32

YOU WILL NEED

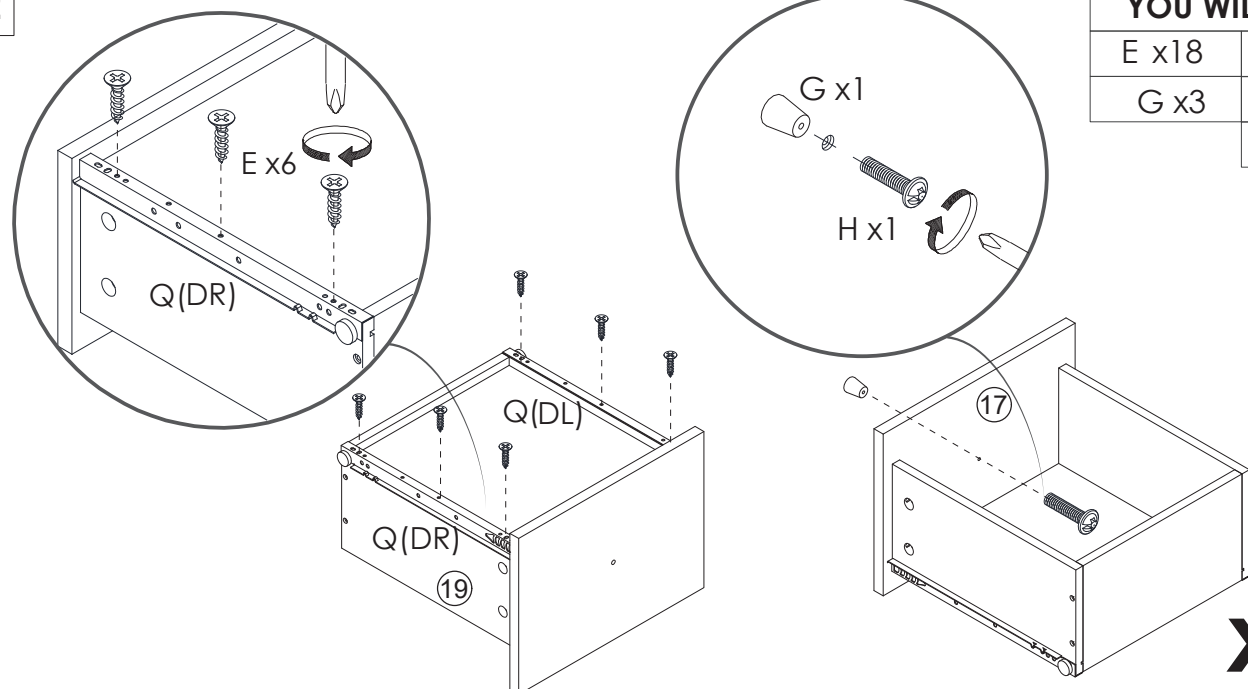
E x18

Q (DL) x3

G x3

Q (DR) x3

H x3

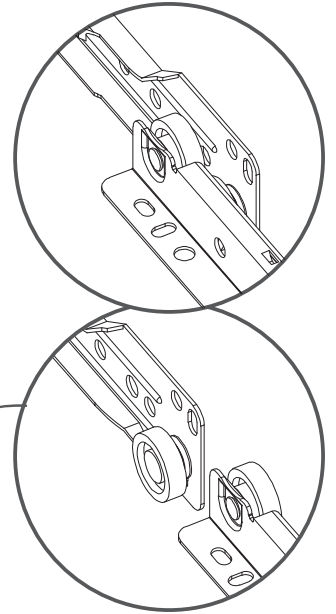
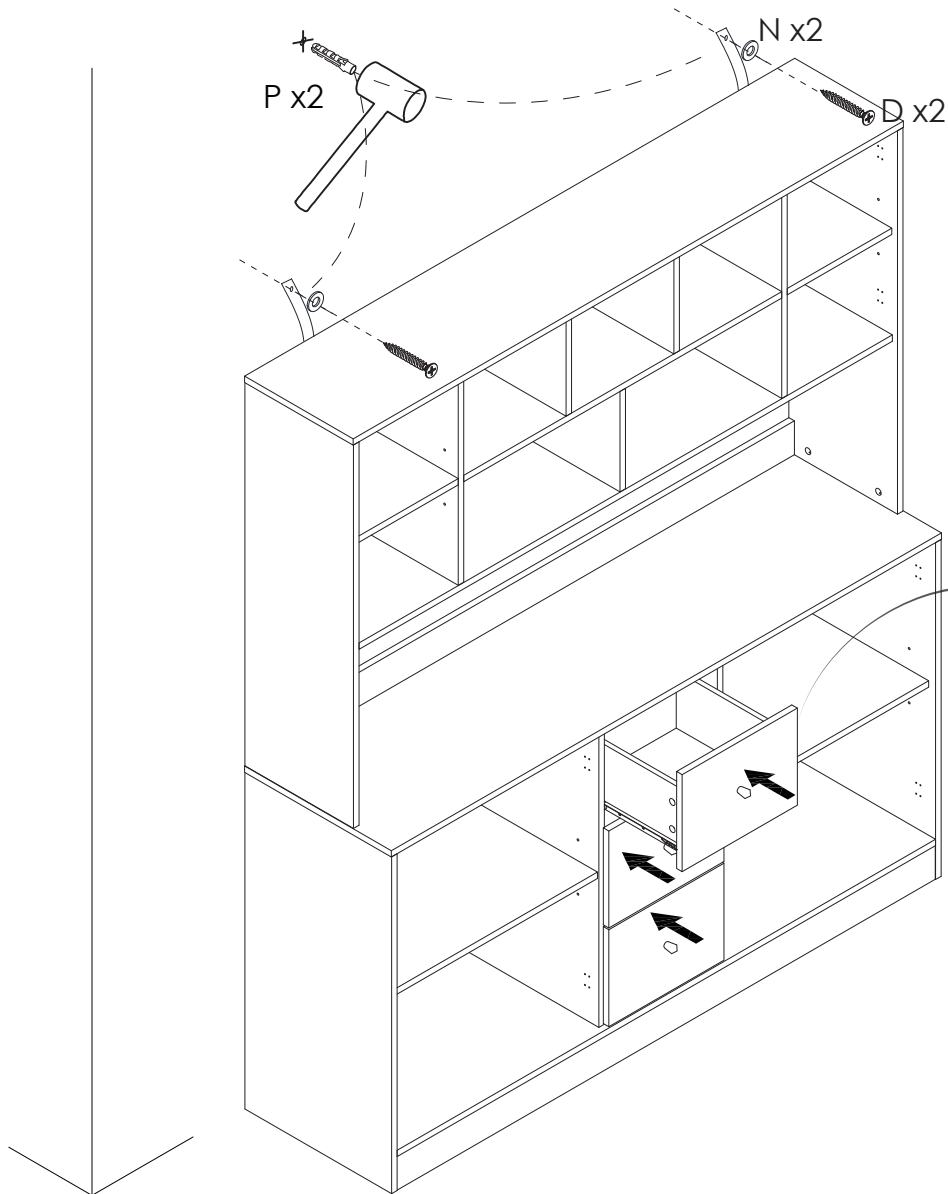


x3

33

YOU WILL NEED

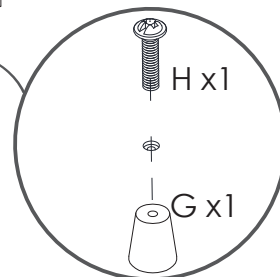
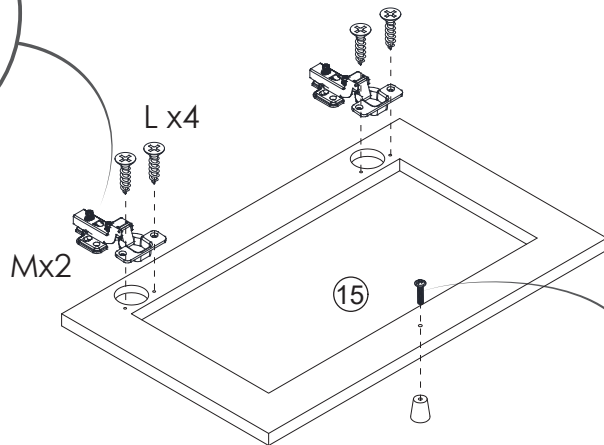
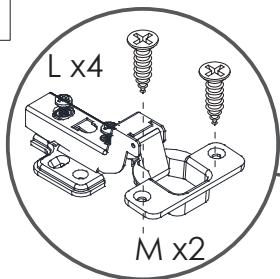
| | |
|------|------|
| D x2 | N x2 |
| | P x2 |



34

YOU WILL NEED

| | |
|------|------|
| G x2 | H x2 |
| L x8 | M x4 |

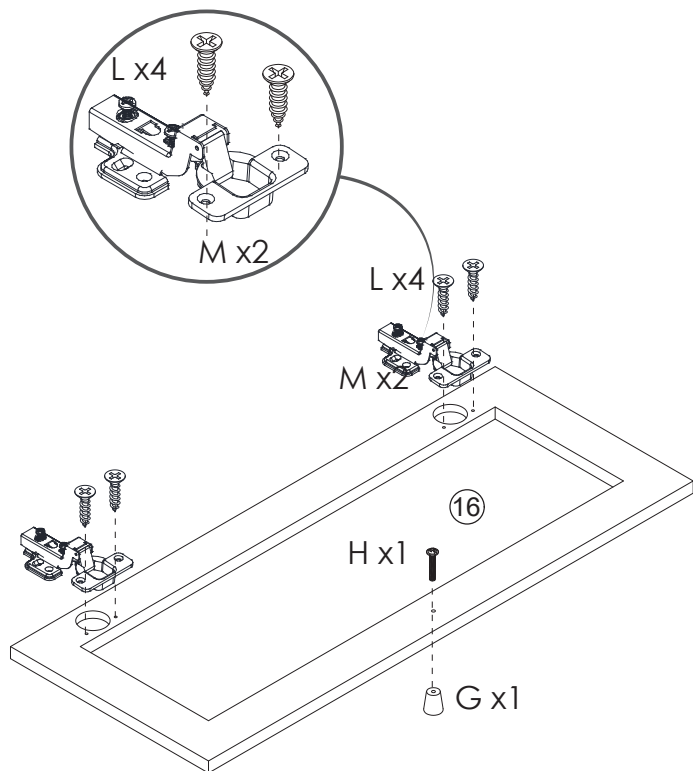


x2

35

YOU WILL NEED

| | |
|------|------|
| L x8 | M x4 |
| Gx2 | Hx2 |

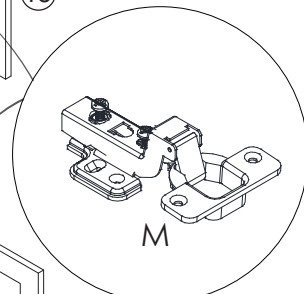
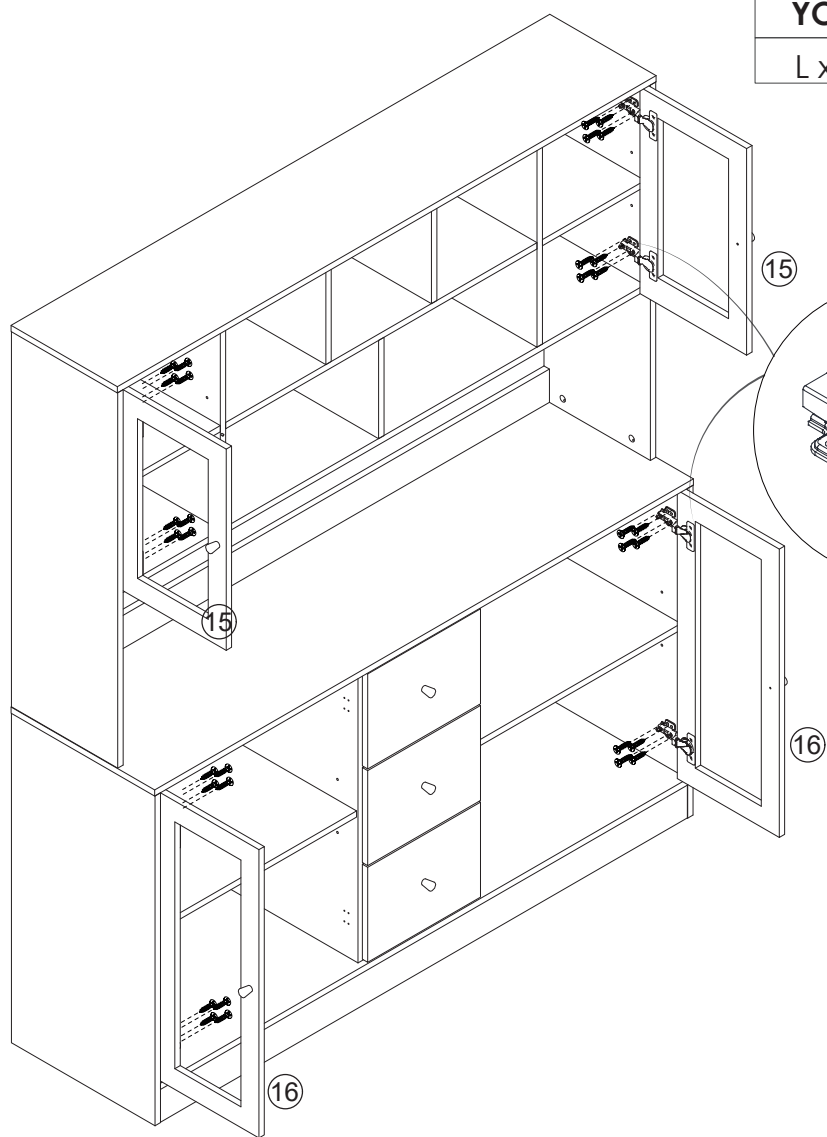
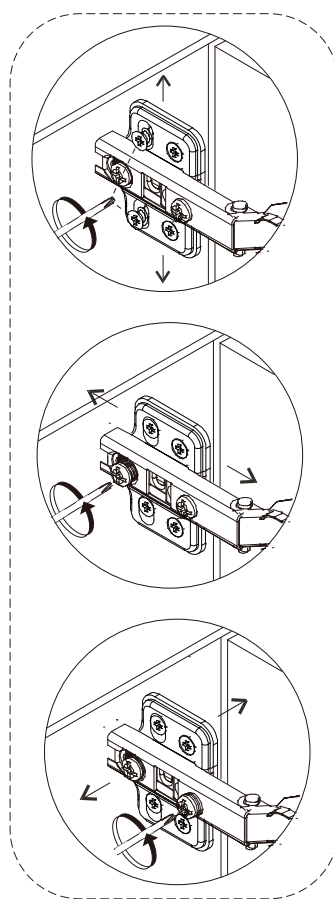


x2

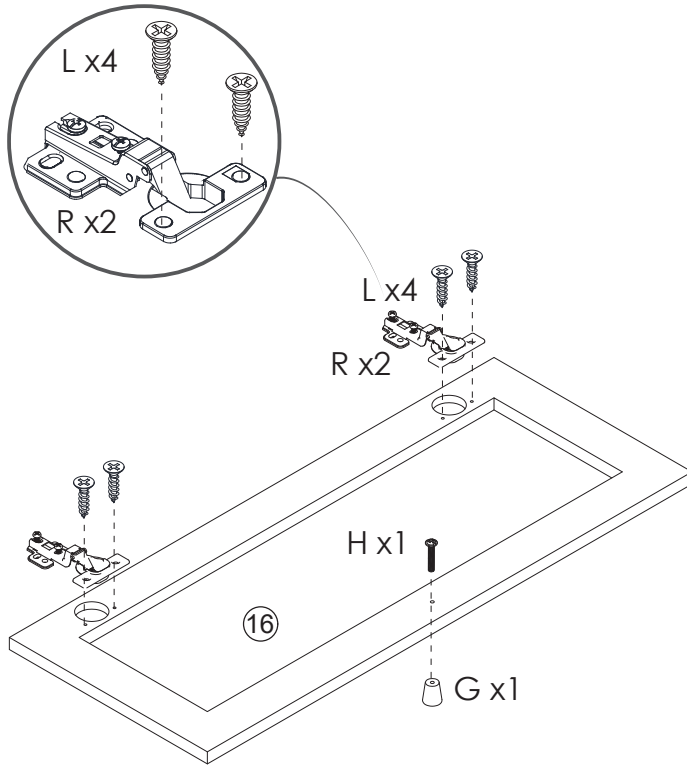
36

YOU WILL NEED

| |
|-------|
| L x32 |
|-------|



37

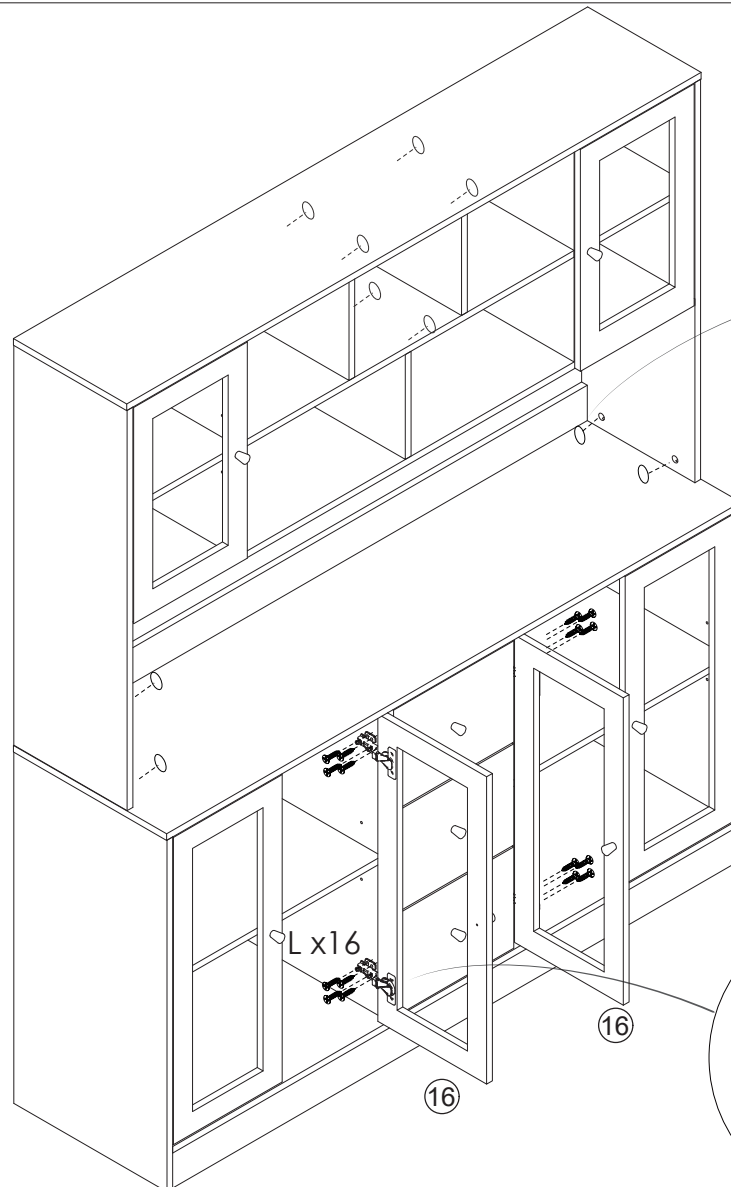


YOU WILL NEED

| | |
|-------|-------|
| L x 8 | R x 4 |
| G x 2 | H x 2 |

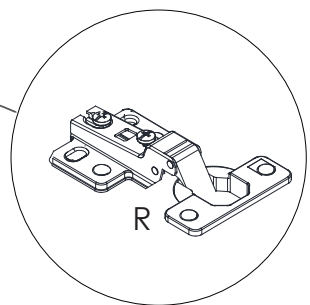
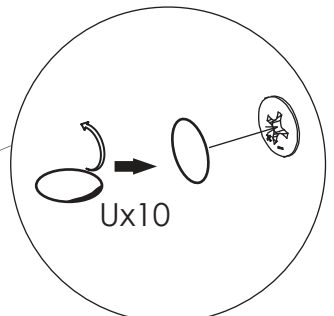
x2

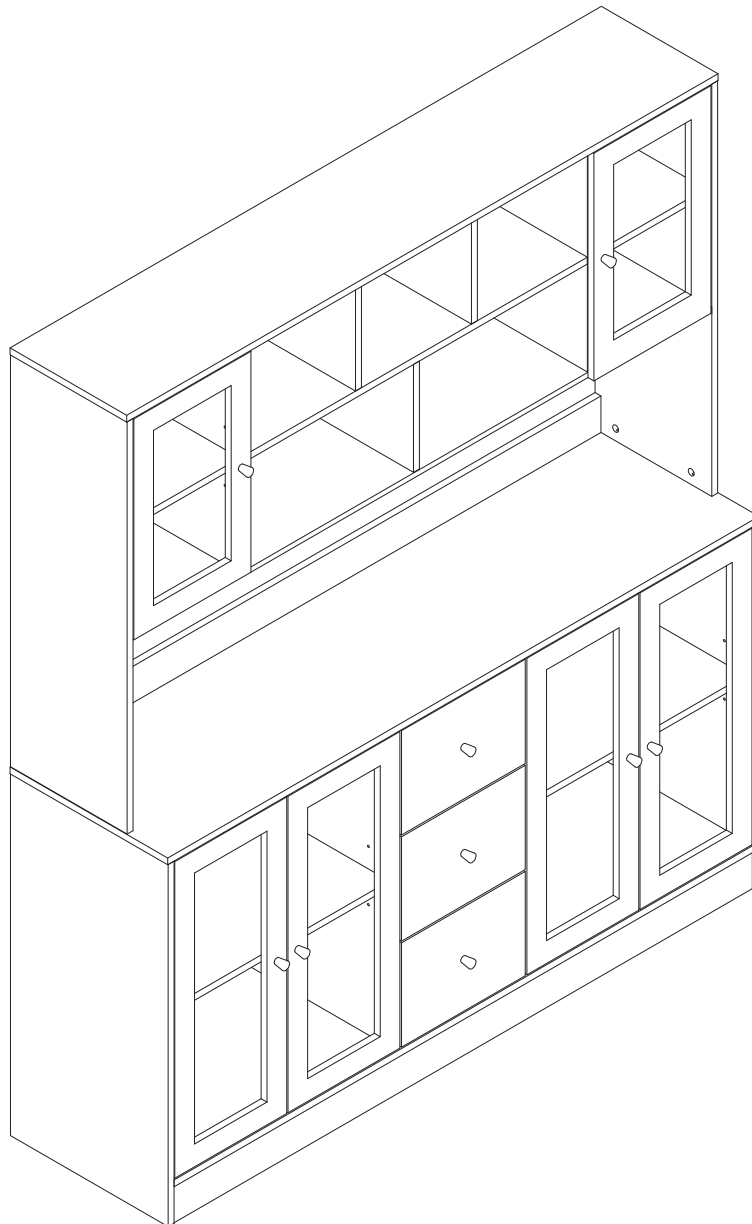
38



YOU WILL NEED

| | |
|--------|--------|
| L x 16 | U x 10 |
|--------|--------|





GUARANTEE

Storage Cabinet offers a **90-days** warranty that begins on the date of the original purchase and applies to problems caused by the manufacturer. For questions, assistance, or support, please contact the Customer Service by e-mail with your order number and details. We will send you further information about the solution.