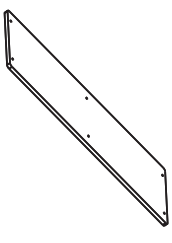
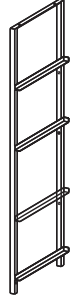
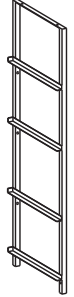
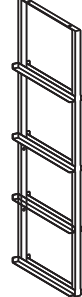

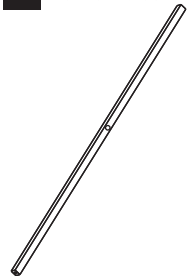
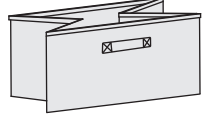



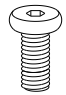
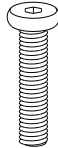
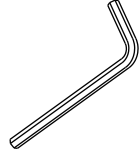
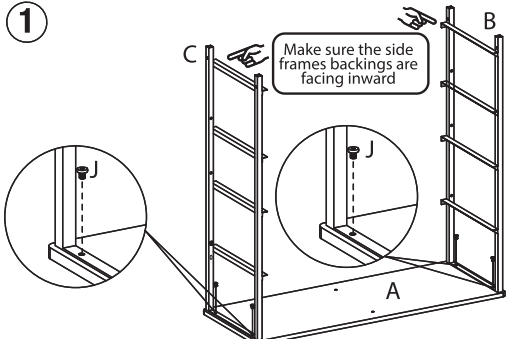


Package Contents:

A Drawer Top  x1	B Side Frame  x1	C Side Frame  x1	D Center Frame  x1	E Rear Bars  x1	F Frame Poles  x2	G Drawer  x8
H Drawer Flooring  x8	I Frame Screw  x4	J Wood Top Screw  (6x10mm) x6	K Rear Screw  (5x10mm) x4	L Long Screw  x6	M Hex Key  x1	

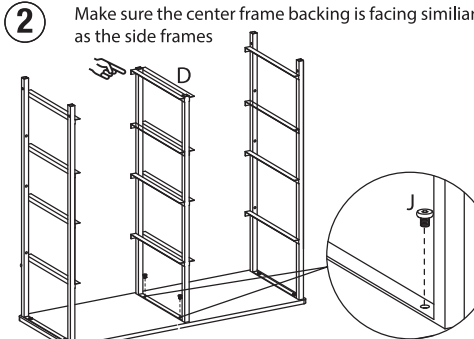
1



Make sure the side frames backings are facing inward.

Step 1: Combine the pieces shown above with wood top screws (J) then secure with hex key (M).

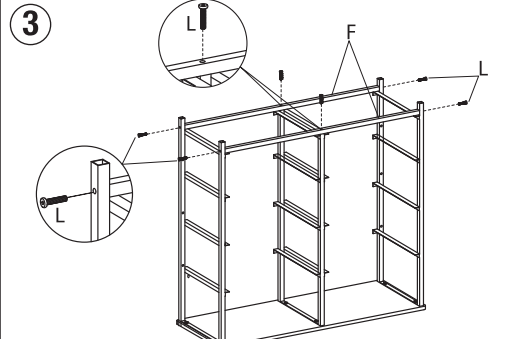
2



Make sure the center frame backing is facing similarly as the side frames.

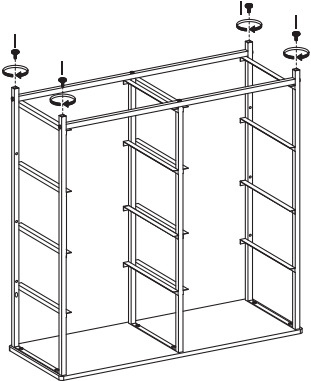
Step 2: Place center frame (D) accordingly and secure with short screws (J).

3



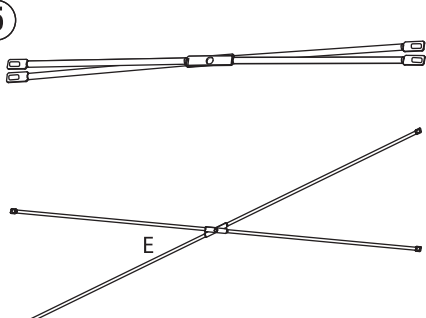
Step 3: Attach the frame poles (F) by using long screws (L).

4



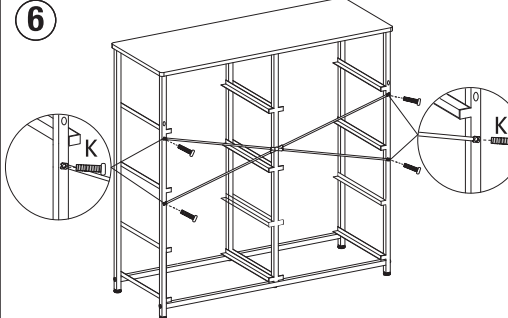
Step 4: Attach leg screws (I) to the side frames.

5



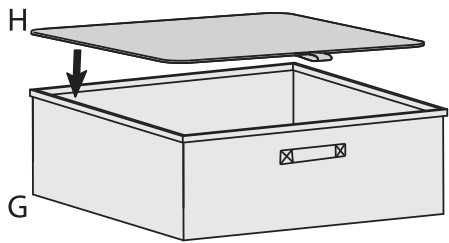
Step 5: Expand rear bars (E). Align to semi-assembled frame.

6




Step 6: Proceed to screw rear screws (K) into side frames to secure the rear bars to the back of the side frames.

7



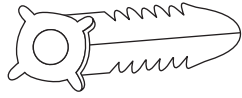
Step 7: Insert the drawer flooring (H) into the drawer (G).

8



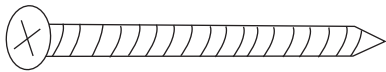
Step 8: Insert drawers within assembled storage dresser, then make sure everything is secure before use. Enjoy!

A Wall Anchor



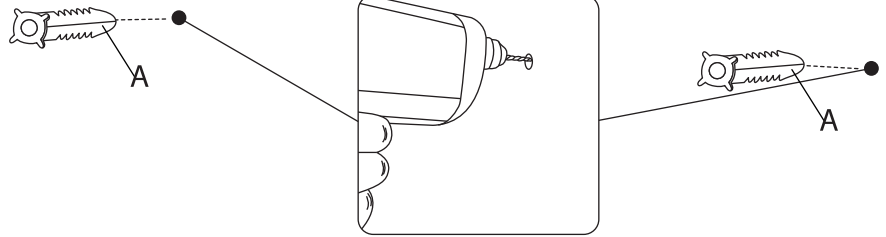
2PCS

B Wall Mount Screw



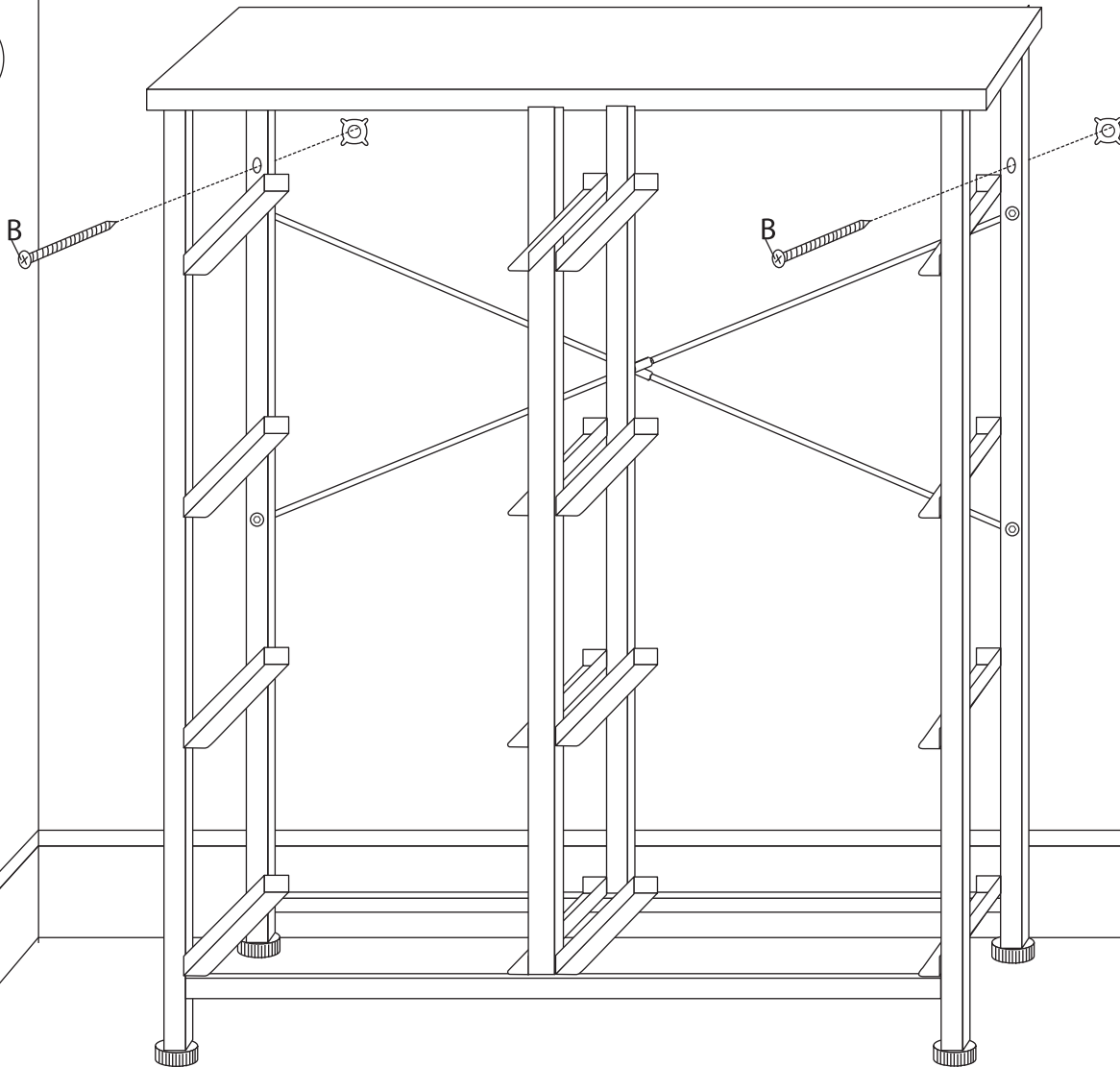
2PCS

1



Step 1: Drill a hole into the wall using a 6mm bit and gently insert the wall anchor (A) with the help of a hammer.

2



Step 2: Place the shelf against the wall, and insert the wall mount screws (B). After making sure everything is secure, feel free to use. Enjoy!