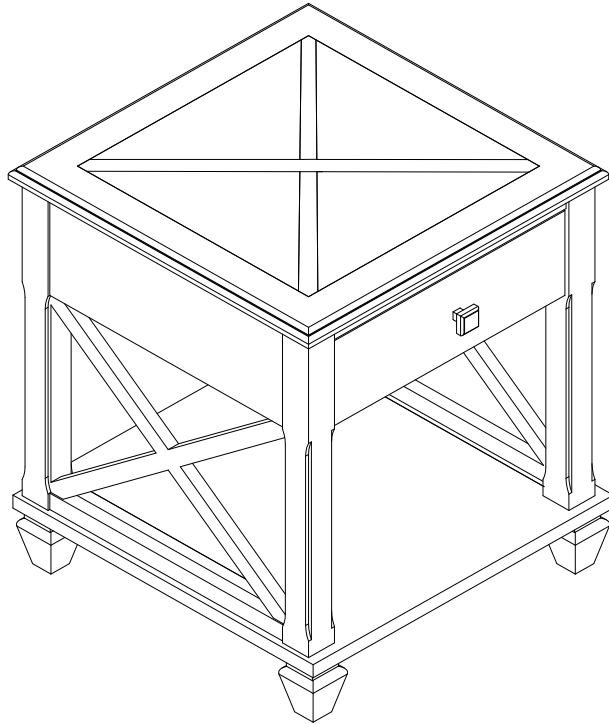


# ASSEMBLY INSTRUCTIONS

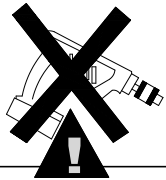
## 1 DRAWER SIDE TABLE



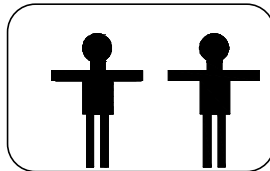
### REPLACEMENT PARTS

Please do not contact the company purchased from as we can help you faster.

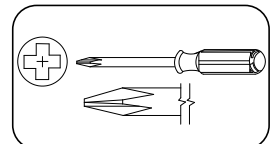
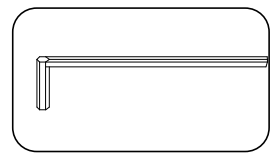
Order replacement parts and hardware at "[boltonfurniture.com](http://boltonfurniture.com)"



- . Use of power tool to assemble this product will invalidate any claim and damage this product making it unsafe!!!
- . Please assemble on a clean soft surface to avoid damage.

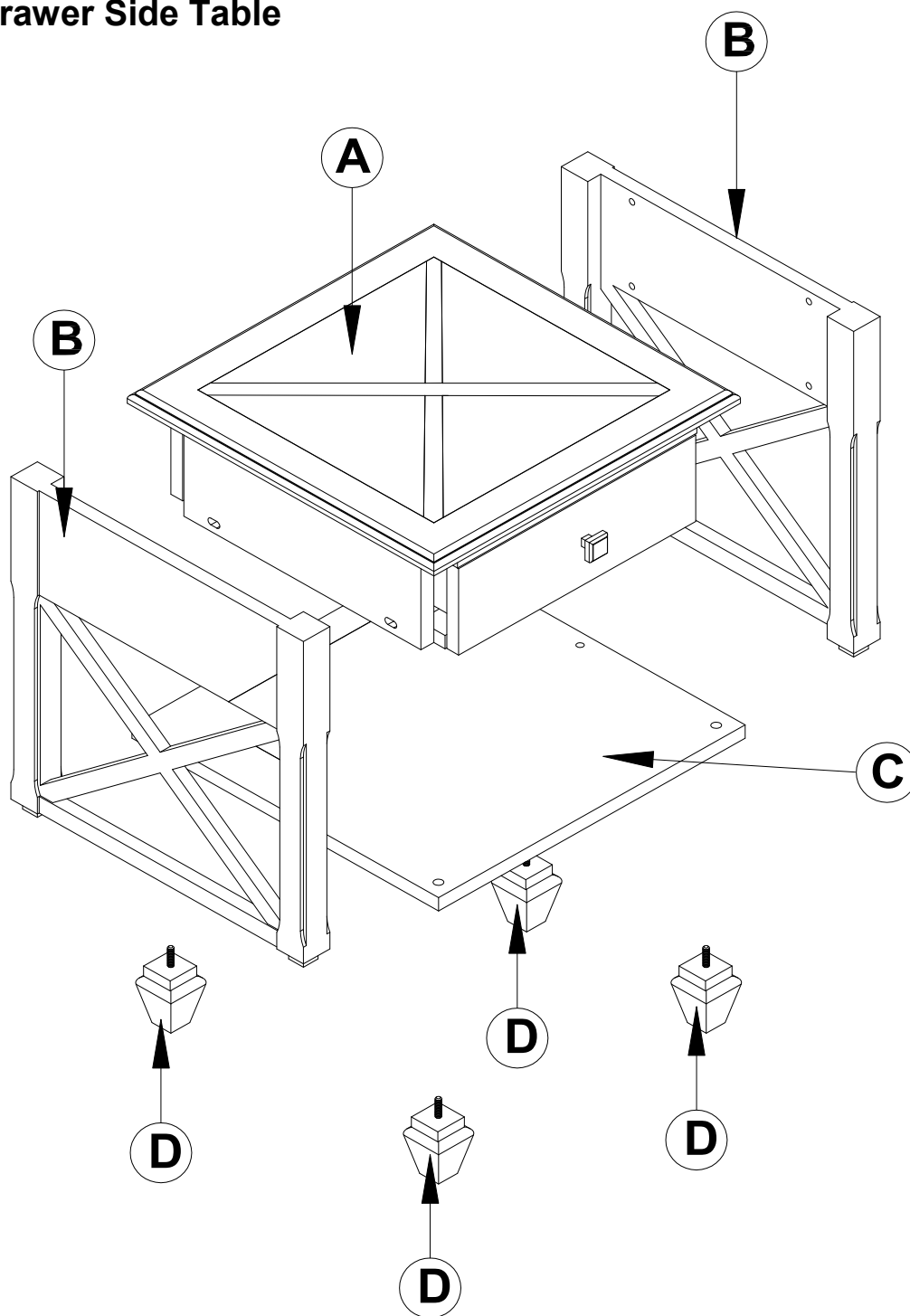


### Tool Included

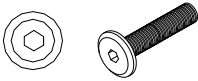


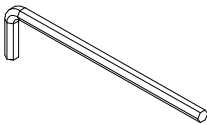
**(Not Included)**

# Part List-1 Drawer Side Table

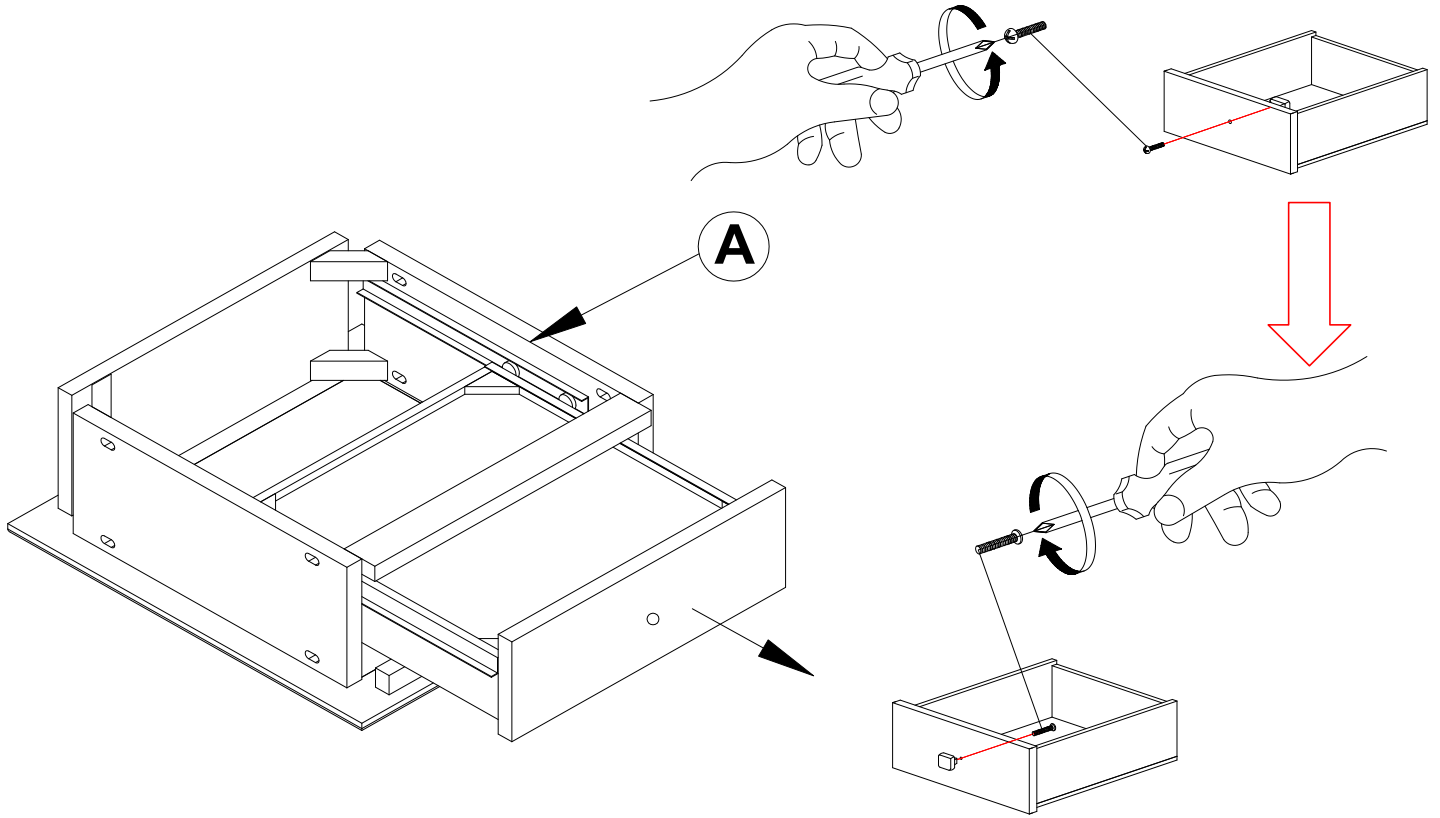
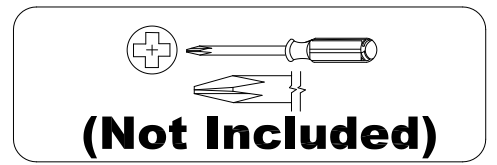


Identifying the hardware-Identify the hardware using the illustrations below.

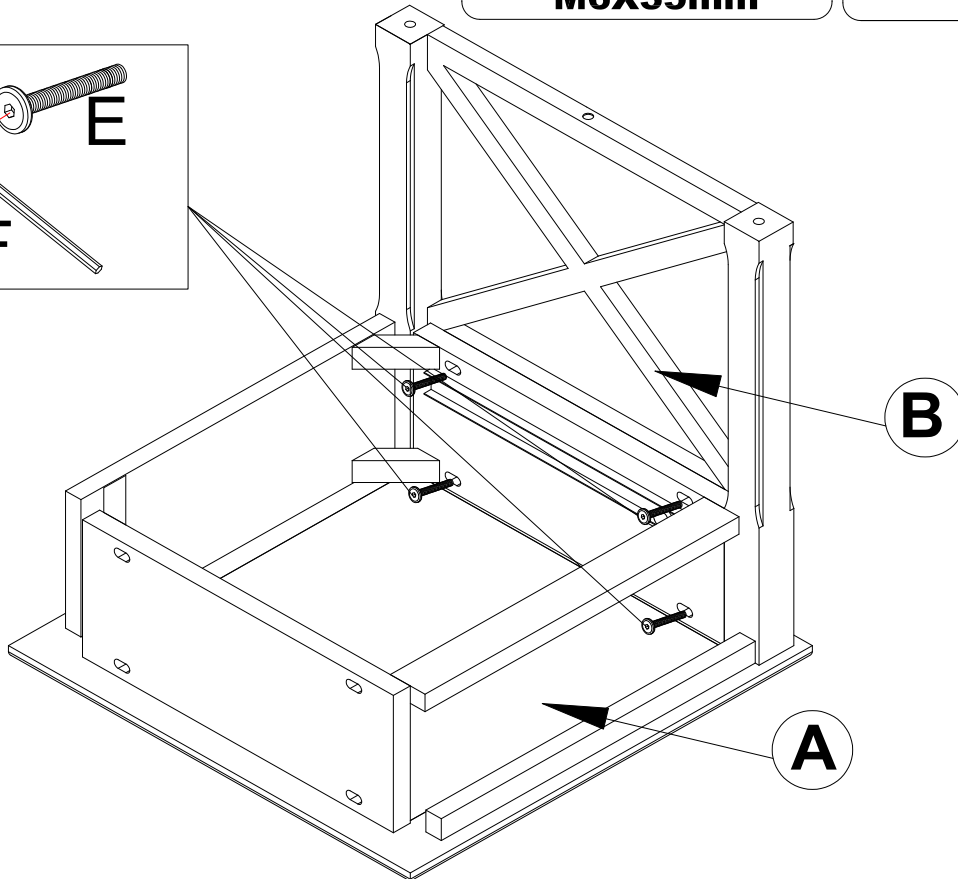
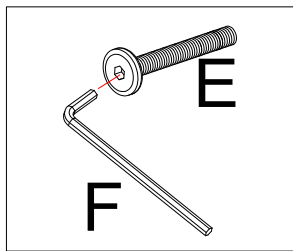
**E**  **10**  
**M6X35mm**

**F**  **01**

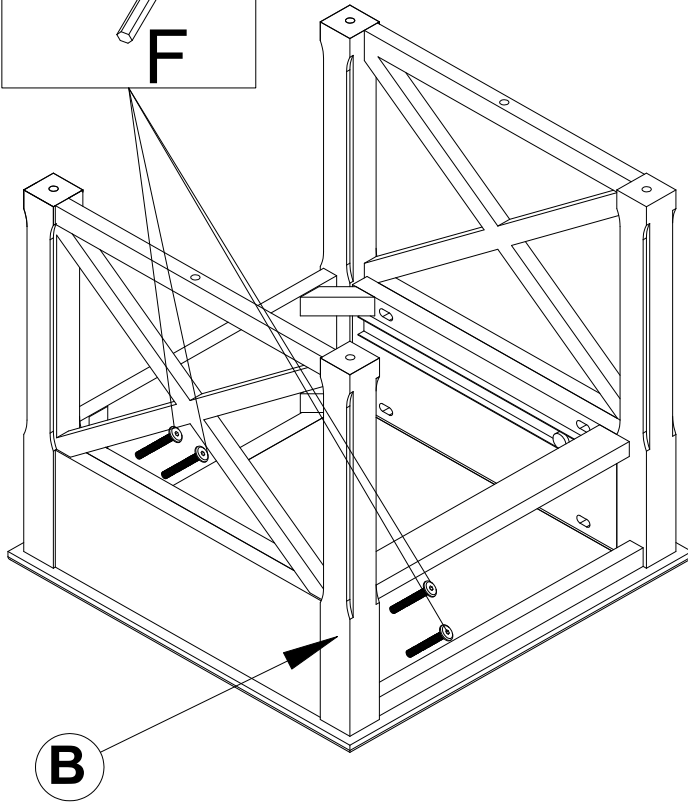
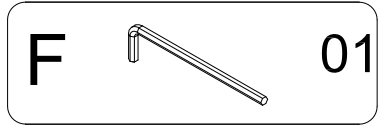
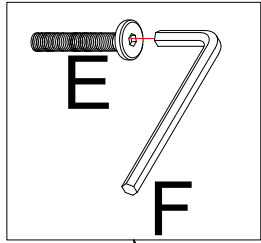
# STEP 1



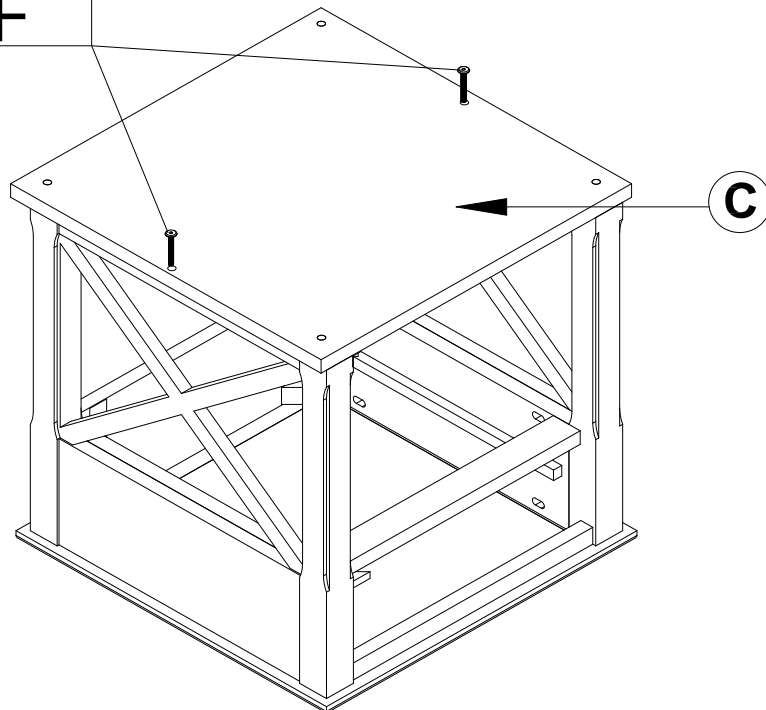
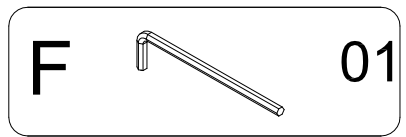
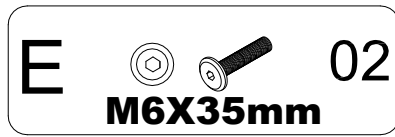
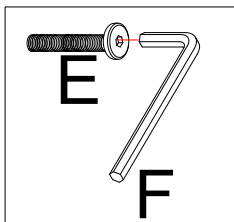
# STEP 2



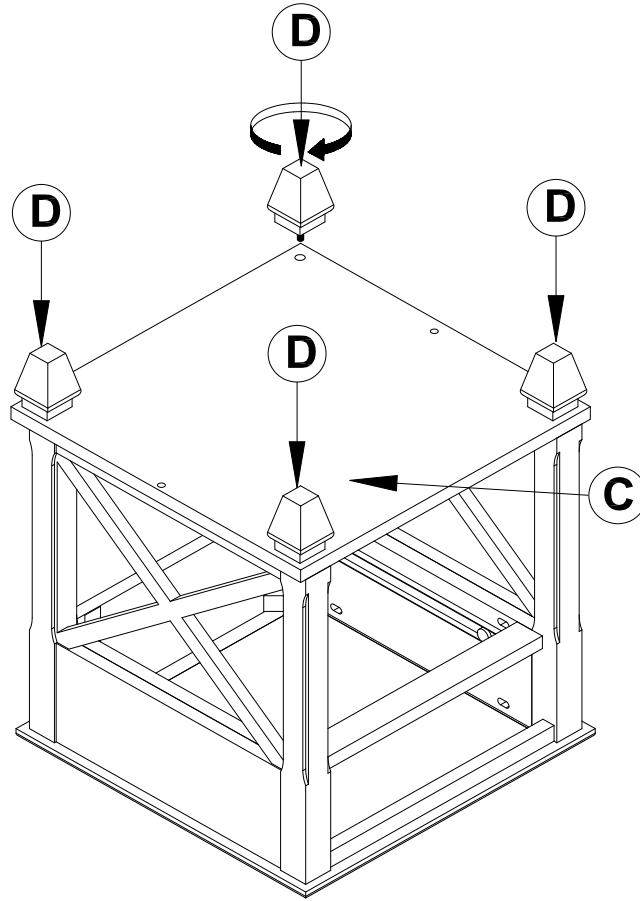
### STEP 3



### STEP 4



# STEP 5



# STEP 6

