

Type: \_\_\_\_\_

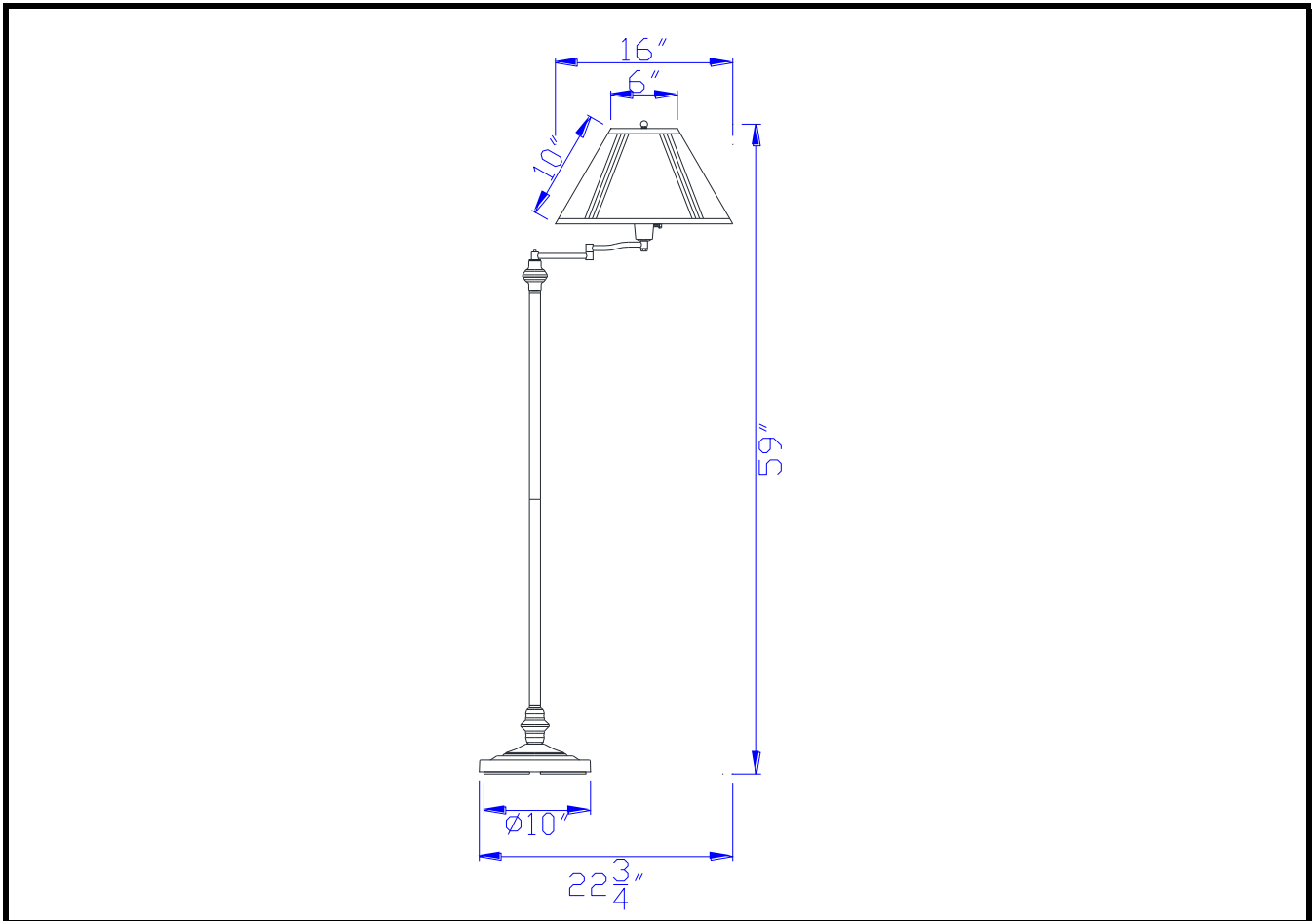
Project: \_\_\_\_\_

Catalog No.: \_\_\_\_\_

Lamp/Wattage: \_\_\_\_\_

Specifications subject to change without notice

Drawing:



**Description:** Transitional Swing Arm Floor Lamp

**Material:** Metal

**Finish :** AB (Antique Bronze)

**Height:** 59"

**Base Width:** 10"

**Wattage :** 150W + 60W x3

**Socket :** Medium Base (E27)

**Switch:** 6 way

**Bulb:** Incandescent, CFL

**Wire Length:** 6'

**Wire Color:** Gold

**Material:** Hardback Linen

**Shade size:** 6"X16"X10"

**Certificate :**

