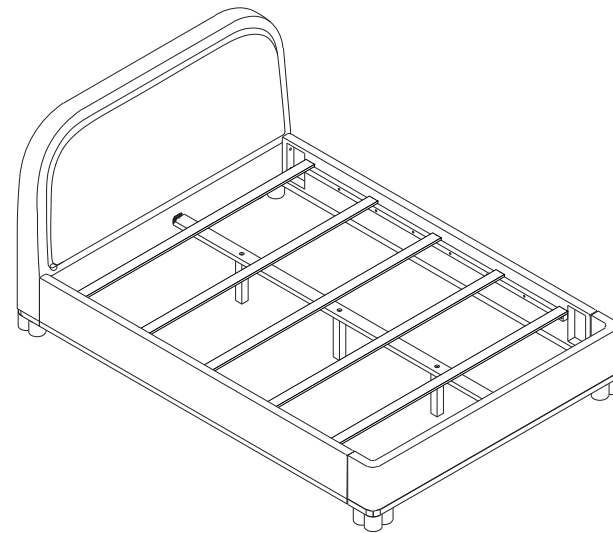


# ROBERTO CHENILLE QUEEN BED

DESIGN # SFV6116-Q

Assembly instructions



**Need help?**

Feel free to contact us via email or call  
if you have any specific questions!

contact us:

[cs@safavieh.com](mailto:cs@safavieh.com)

866-422-9070

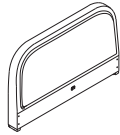
**SAFAVIEH**  
C O U T U R E

# Thanks for bringing Safavieh couture into your home

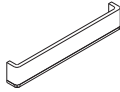
Everything we make is incredibly simple to set up, including your new bed. You won't need any additional tools.

## Parts List

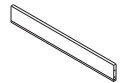
A x 1  
HEADBOARD



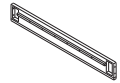
B x 1  
FOOTBOARD



C x 1  
SIDE RAIL (LEFT)



D x 1  
SIDE RAIL (RIGHT)



E x 1  
CENTER SUPPORT RAIL



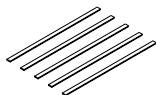
F x 3  
CENTER LEG



G x 4  
LEG

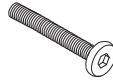


H x 5  
SLATS



## Hardware List

HW1 x 8  
Bolt 8mm x 70mm



HW2 x 3  
Bolt 8mm x 38mm



HW3 x 16  
Spring Washer 8mm



HW4 x 19  
Flat Washer 8mm



HW5 x 8  
Threaded Rod  
8mm x 100mm



HW6 x 8  
Nut 8mm



HW7 x 10  
Screw M4 x 35mm



HW8 x 4  
Screw M4 x 20mm



HW9 x 1  
Wrench M12

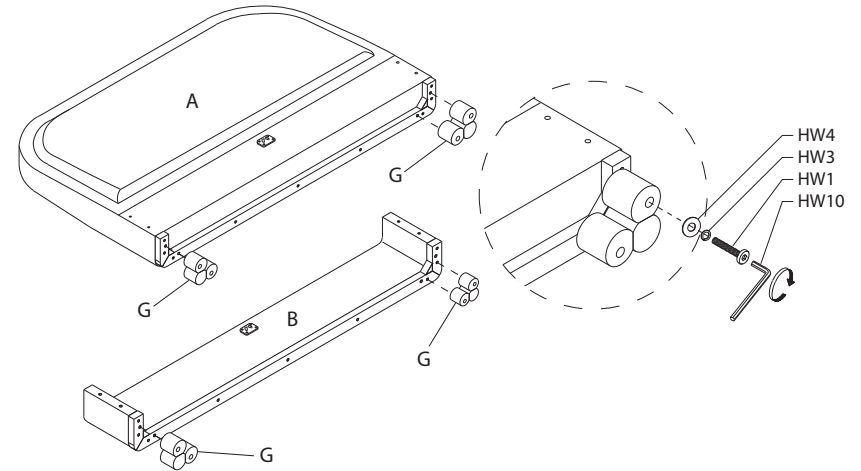


HW10 x 1  
Allen Key M5



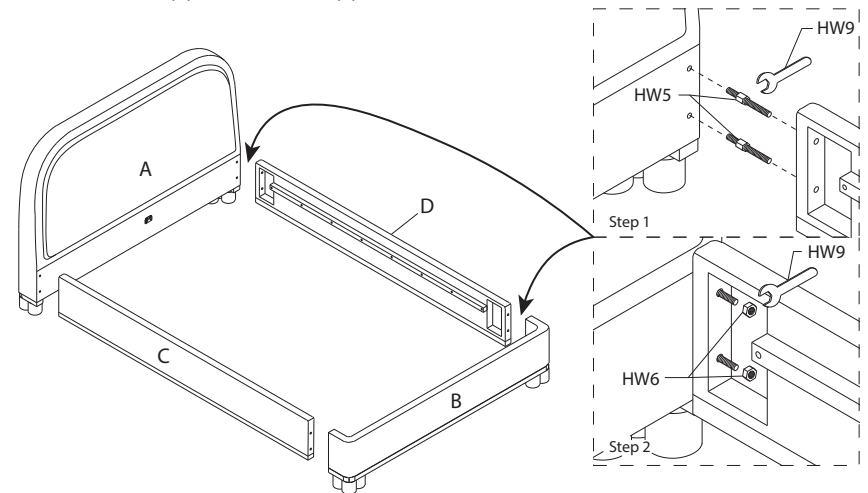
1

Align the screw holes on the Legs (G) to the screw holes on the Headboard (A) and the Footboard (B). Place the Spring Washer (HW3) and Flat Washer (HW4) on the Bolt (HW1) in the order shown below. Attach the Legs (G) by using the Allen Key (HW10) to screw in all 8 of the Bolts (HW1) with the washers.



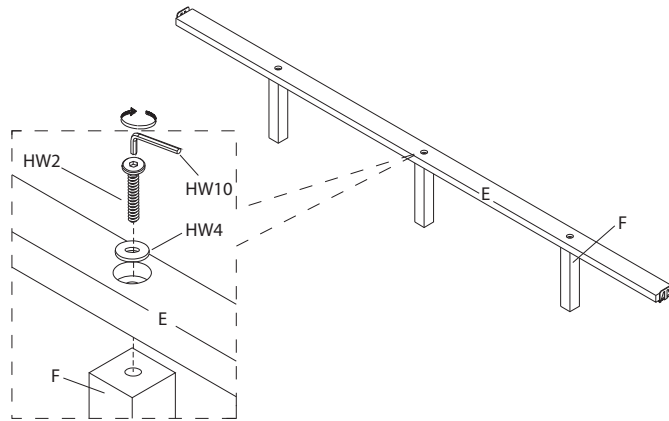
2

Align the screw holes on the 2 Side Rails (C & D) to the screw holes on the Headboard (A) and Footboard (B). Insert the Threaded Rod (HW5) into the holes as shown below. Use the Wrench (HW9) to screw the Nut (HW6) onto the ends of the Threaded Rods (HW5) to attach the Side Rails (C & D) to the Headboard (A) and Footboard (B).



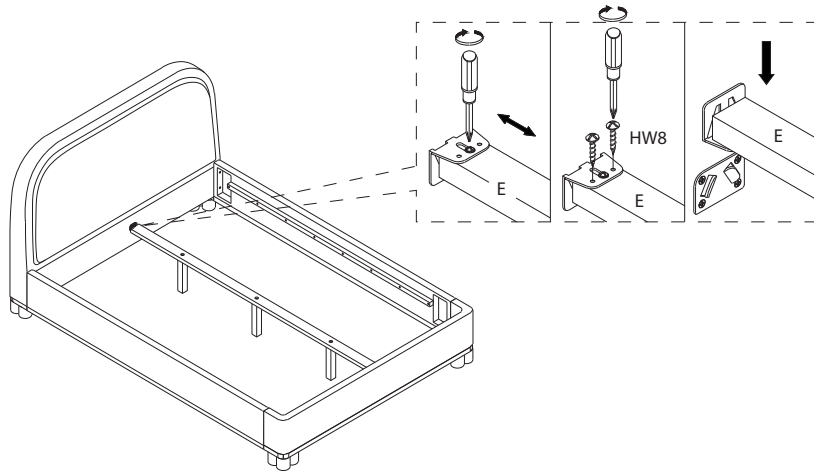
3

Align the screw holes on the Center Legs (F) to the screw holes on the Center Support Rails (E). Place the Flat Washer (HW4) on the Bolt (HW2). Attach the Center Legs (F) to the Center Support Rails (E) by using the Allen Key (HW10) to screw in 3 of the Bolts (HW2) with the washers.



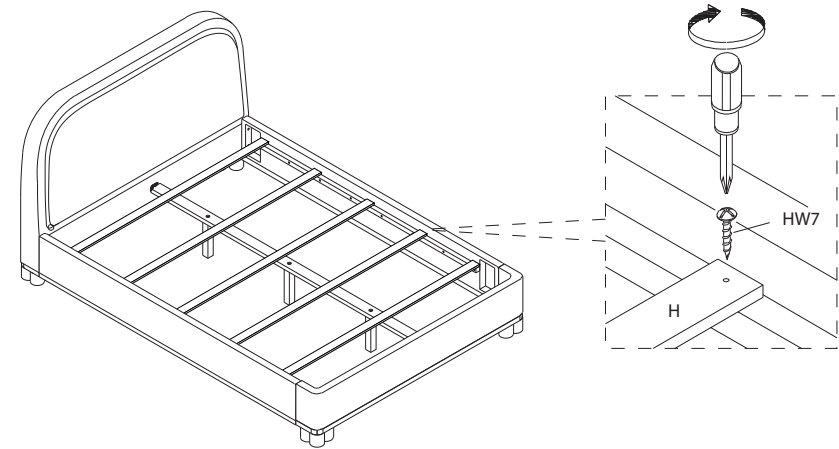
4

Attach the Center Support Rails (E) to the inside of the Headboard (A) and Footboard (B) by using a Philips Head Screwdriver (not included) to screw in the Screws (HW8) as shown below.



5

Place the Slats (H) evenly inside the bed frame. Attach the Slats (H) to the Side Rails (C & D) by using a Philips Head Screwdriver (not included) to screw in the Screws (HW7) as shown below.



6

Place the bed in the place where you will use it. We'd love to see it - just tag us (we're @safavieh) and use the hashtag #safavieh on Instagram!

