



ASSEMBLY GUIDE
GUIDE DE MONTAGE
GUÍA DE MONTAJE

HERB FARM PLANTER

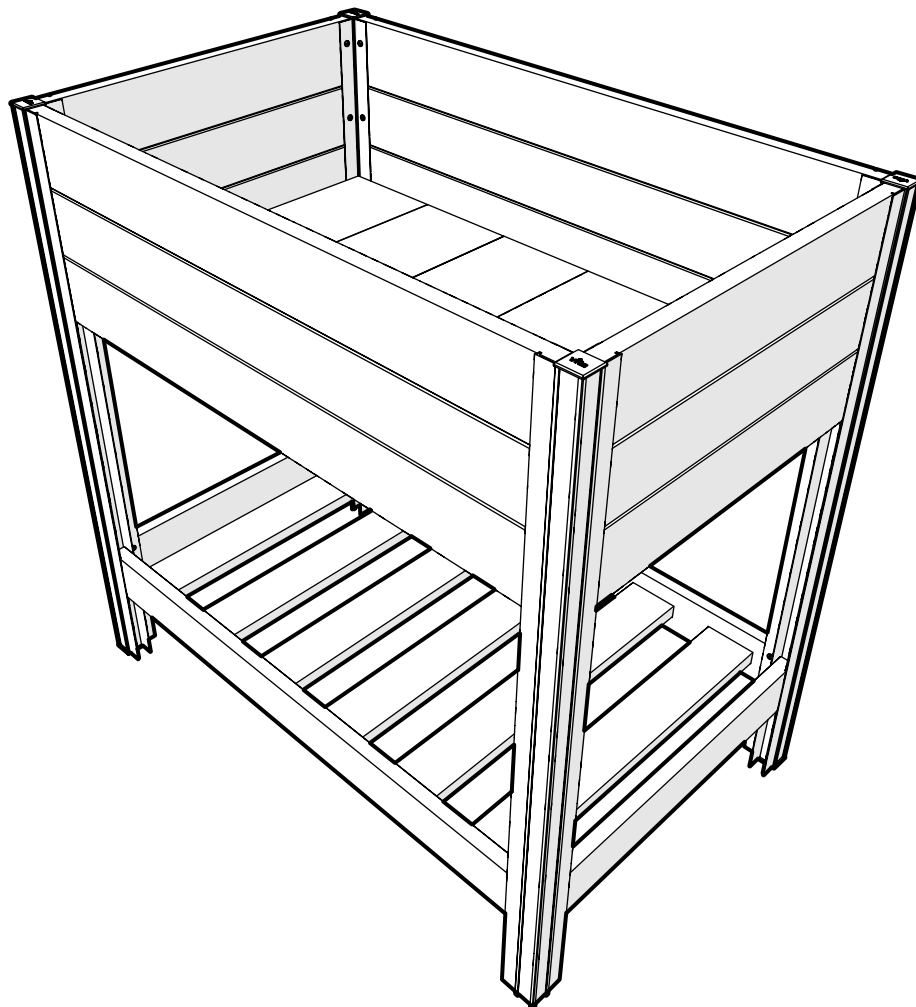
PLANTEUR FERME HERB

JARDINERA SPROUT HERB

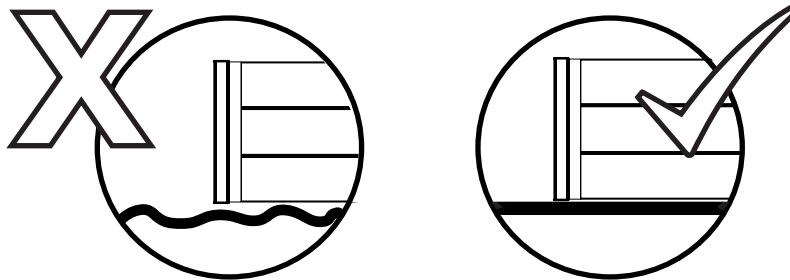
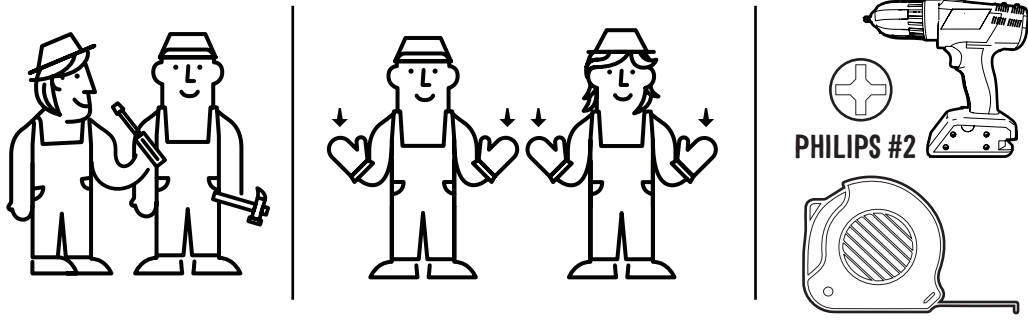
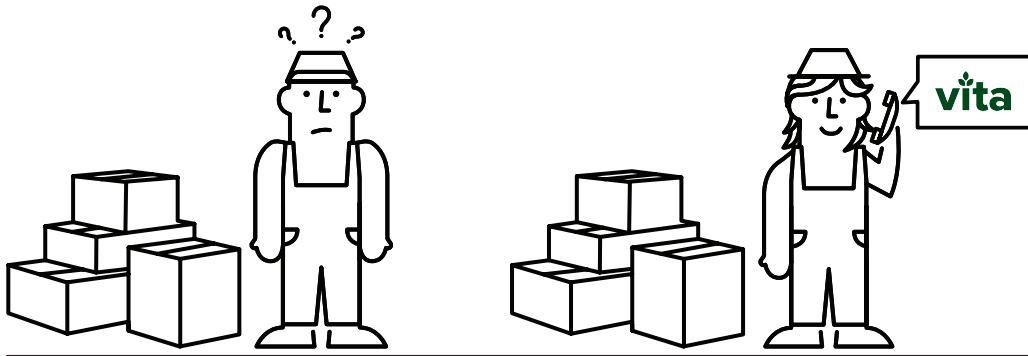
VT17518 / VT17618

ESPRESSO
ESPRESSO
ESPRESSO

SLATE
ARDOISE
PIZARRA



V 2.0 131120



 1-800 282-9346



hello@wearevita.com



www.wearevita.com



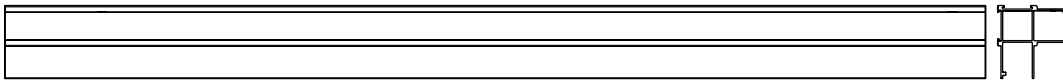
8:00 AM - 5:00 PM EST



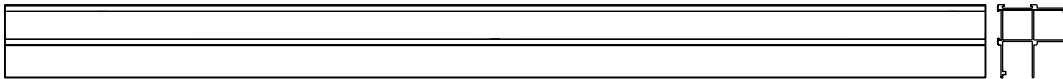
PARTS LIST

LISTE DES PIÈCES

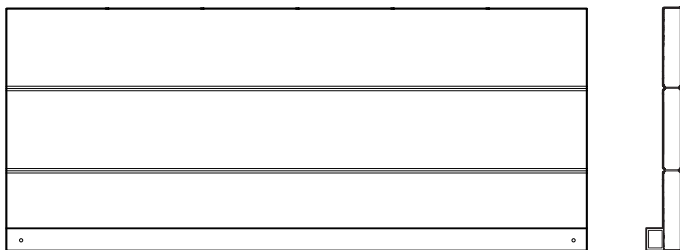
LISTA DE PARTES



16091 - POST A - PUBLIER A - EXPONER A
34" (88.7CM) - **X2**



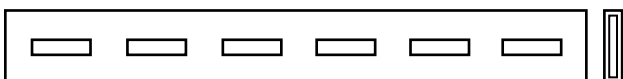
16092 - POST B - PUBLIER B - EXPONER B
34" (88.7CM) - **X2**



16093 - SLATE - ARDOISE - PIZARRA
15093 - ESPRESSO - EXPRESSO - ESPRESSO
BOARD A - PLANCHE A - TABLERO A
32 5/8" (83CM) - **X2**



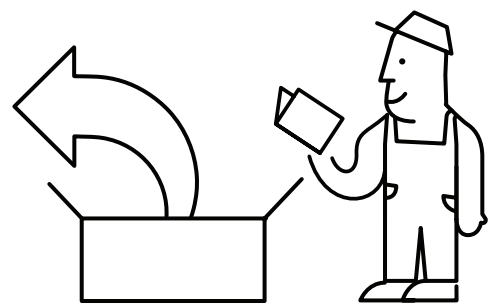
16094 - SLATE - ARDOISE - PIZARRA
15094 - ESPRESSO - EXPRESSO - ESPRESSO
BOARD B - PLANCHE B - TABLERO B
19 1/2" (49.6CM) - **X2**



16095 - SLATE - ARDOISE - PIZARRA
15095 - ESPRESSO - EXPRESSO - ESPRESSO
SHELF BRACE A - ATTELLE D'ÉTAGÈRE A - SAPORTE DE ESTANTE A
32 5/8" (83CM) - **X2**

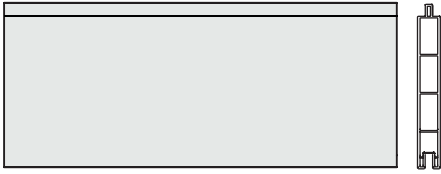


16096 - SLATE - ARDOISE - PIZARRA
15096 - ESPRESSO - EXPRESSO - ESPRESSO
SHELF BRACE B - ATTELLE D'ÉTAGÈRE B - SAPORTE DE ESTANTE B
19 1/2" (49.6CM) - **X2**





16097 - SLATE - ARDOISE - PIZARRA
15097 - ESPRESSO - EXPRESSO - ESPRESSO
SHELVES - ÉTAGÈRES - ESTANTERÍA
 21 1/2" (54.7CM) - **X6**



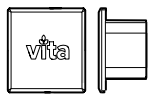
16098 - SLATE - ARDOISE - PIZARRA
15098 - ESPRESSO - EXPRESSO - ESPRESSO
FLOOR BOARD A - PLANCHE D'ÉTAGE A - TABLERO DE PISO A
 20" (50.7CM) - **X4**



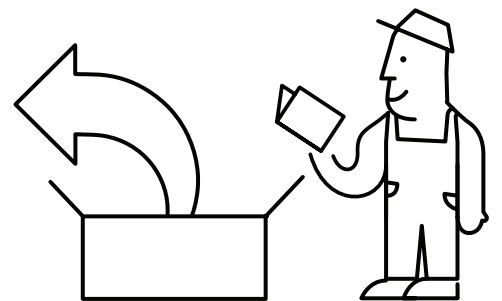
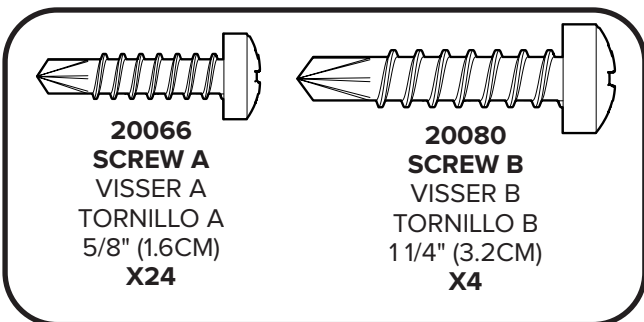
16099 - SLATE - ARDOISE - PIZARRA
15099 - ESPRESSO - EXPRESSO - ESPRESSO
FLOOR BOARD B - PLANCHE D'ÉTAGE B - TABLERO DE PISO B
 20" (50.7CM) - **X1**



16111 - SLATE - ARDOISE - PIZARRA
15111 - ESPRESSO - EXPRESSO - ESPRESSO
FLOOR BOARD C - PLANCHE D'ÉTAGE C - TABLERO DE PISO C
 20" (50.7CM) - **X1**



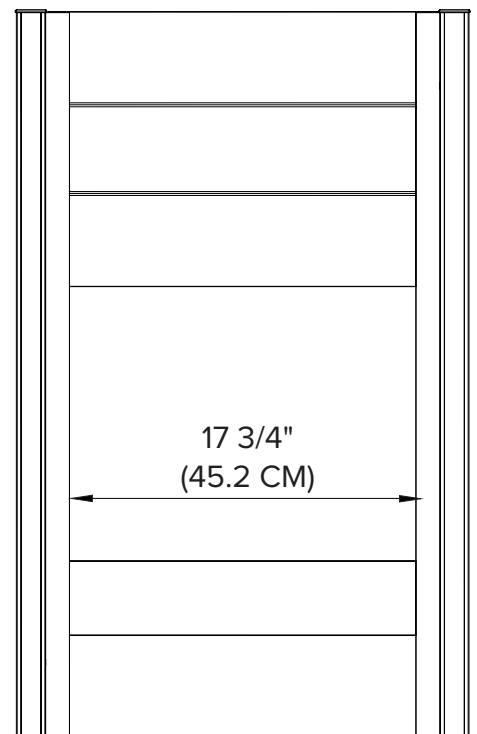
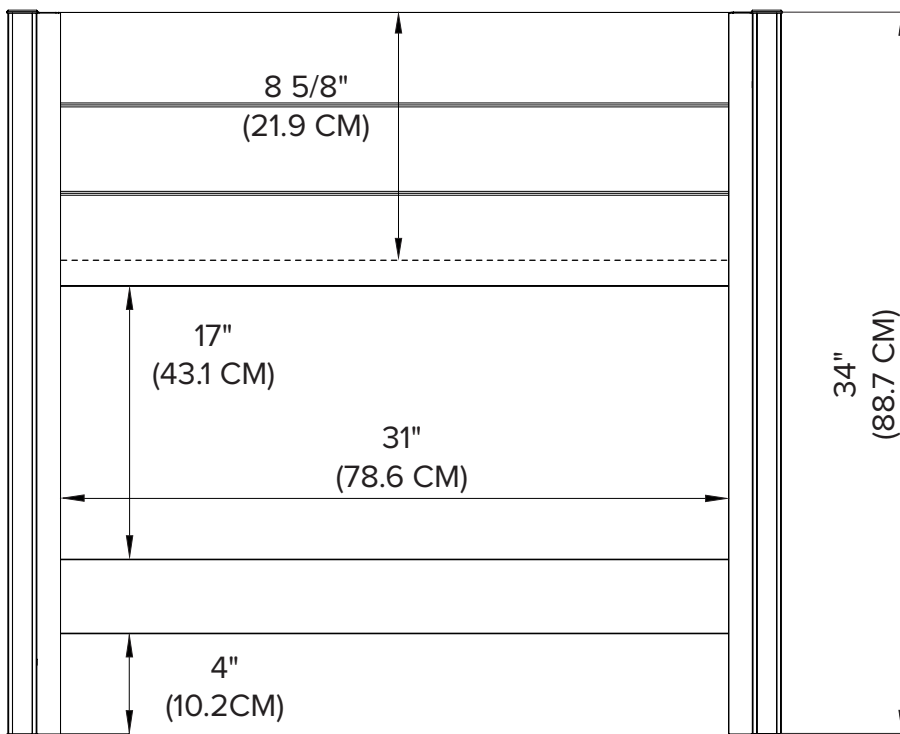
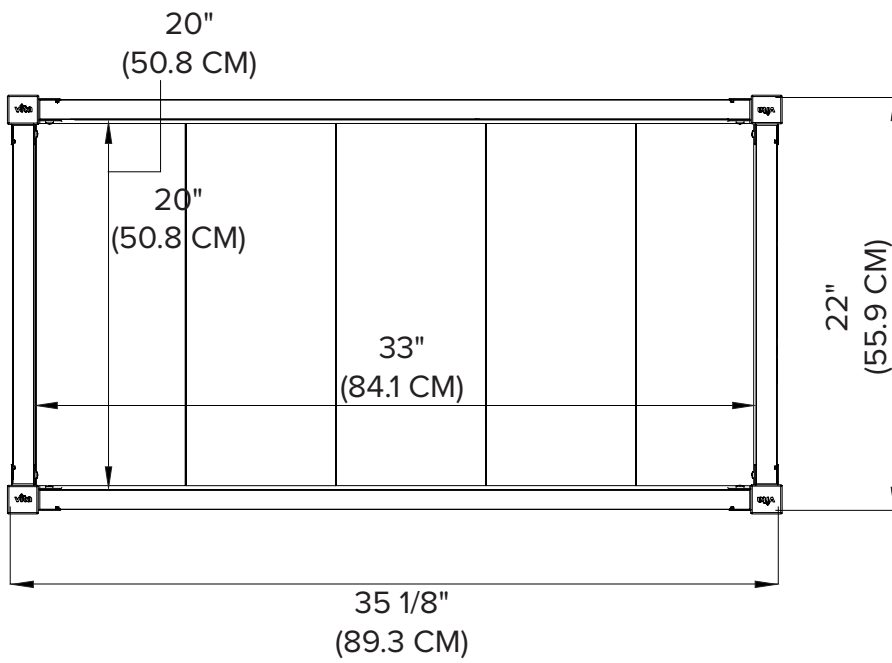
16003
POST CAP - TETE DE POTEAU - TAPON
X8



PRODUCT DIMENSIONS

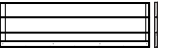
DIMENSIONS DU PRODUIT

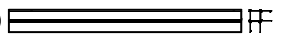
DIMENSIONES DEL PRODUCTO

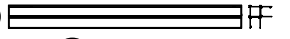



1

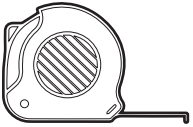
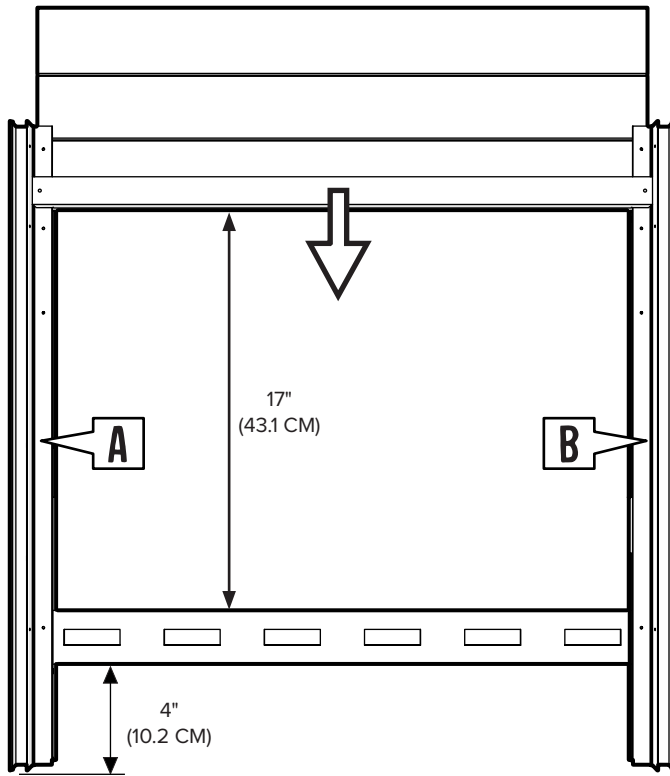
x2

16093/15093 - x2 (A) 

16091 - x2 (A) 

16092 - x2 (B) 

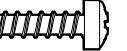
16095/15095 - x2 (A) 

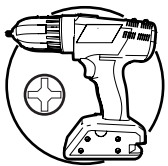
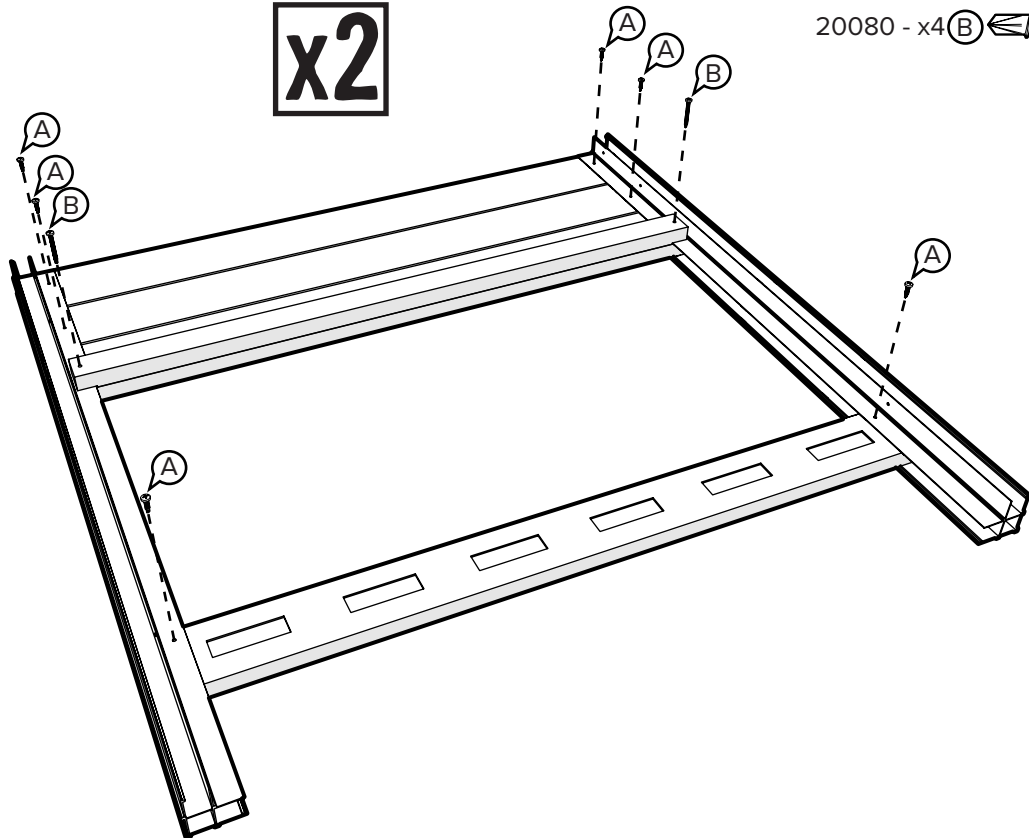


2

x2

20066 - x12 (A) 

20080 - x4 (B) 

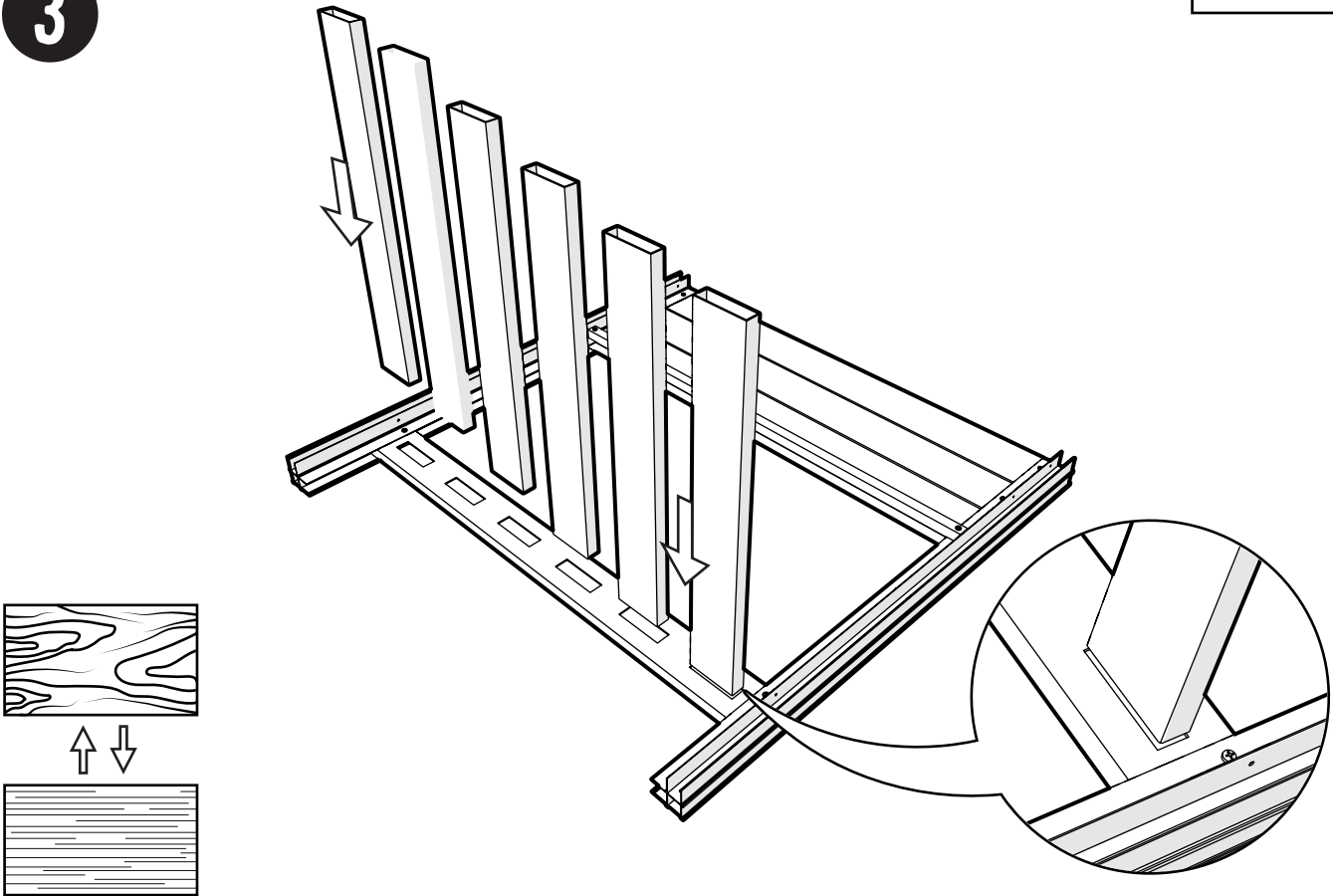


PHILIPS #2




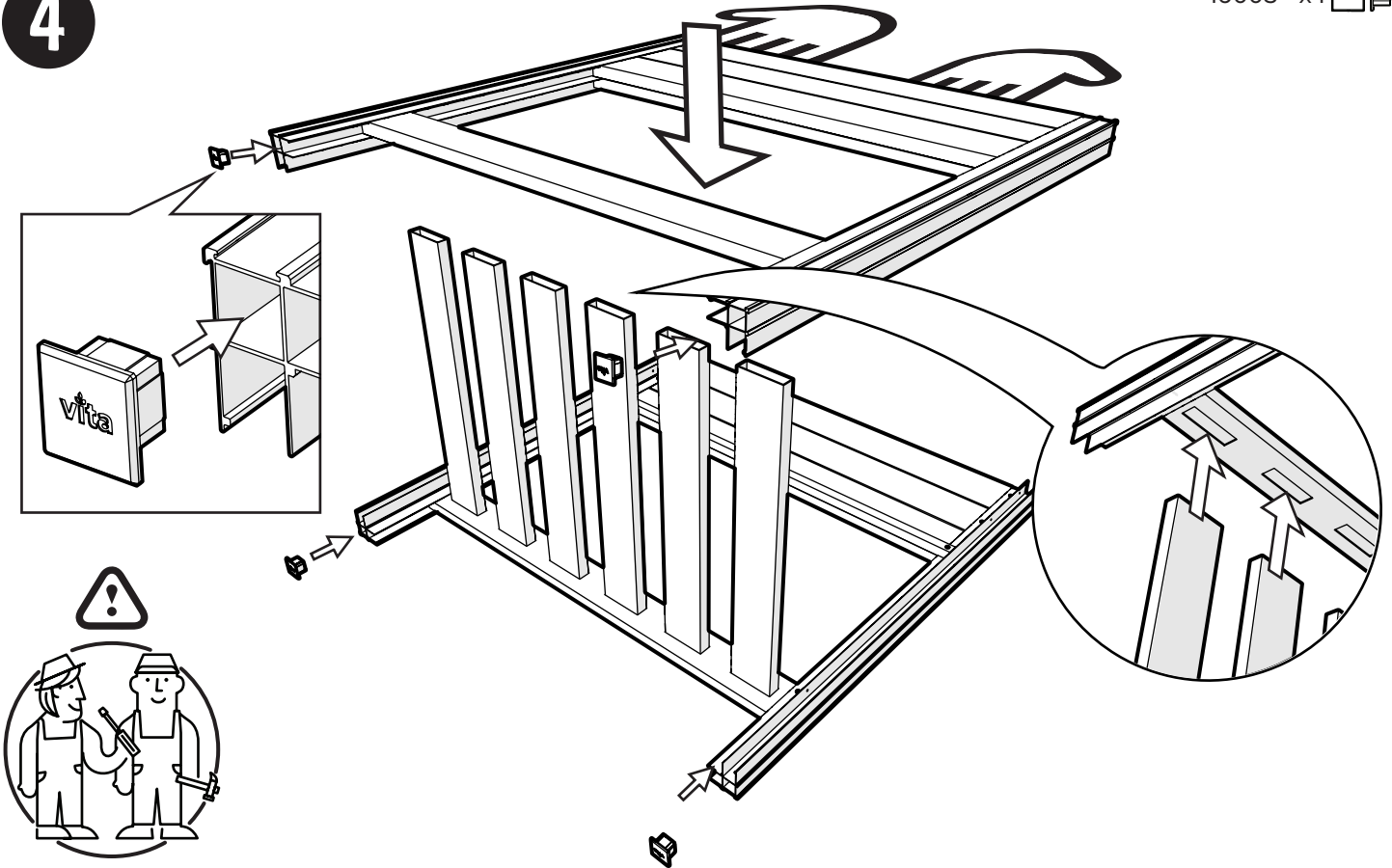
3

16097/15097 - x6 



4

16003 - x4 

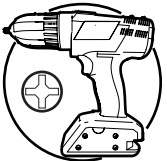
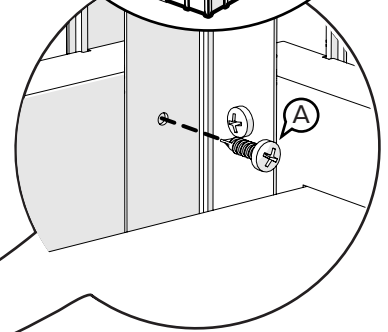
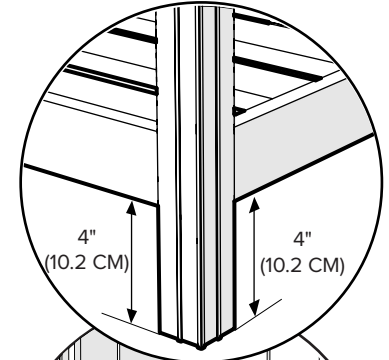
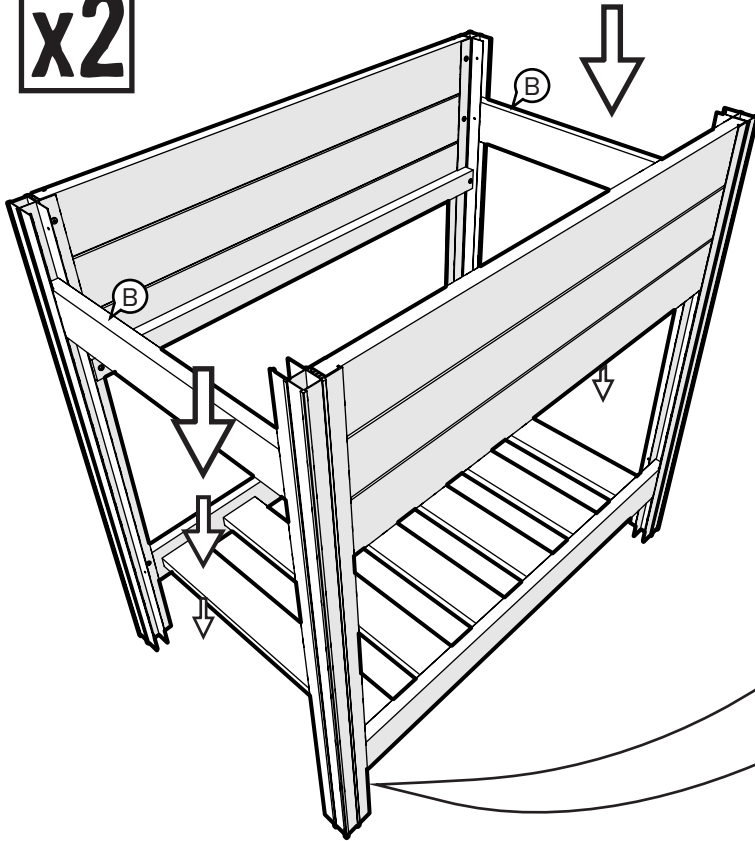


5

x2

16096/15096 - x2 (B)

20066 - x4 (A)



PHILIPS #2

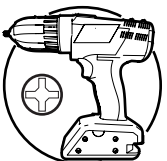
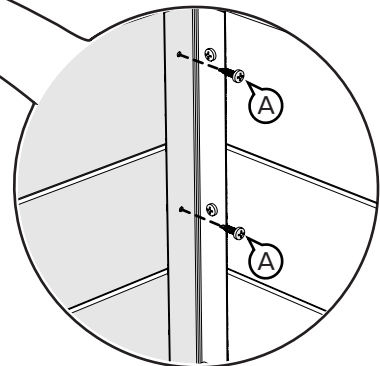
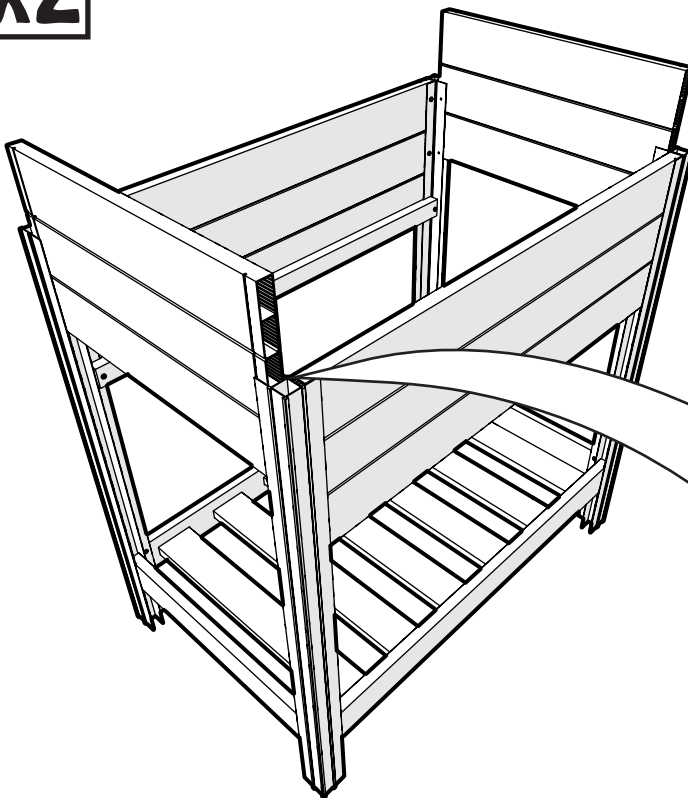


6

x2

16094/15094 - x2 (B)

20066 - x8 (A)



PHILIPS #2



7

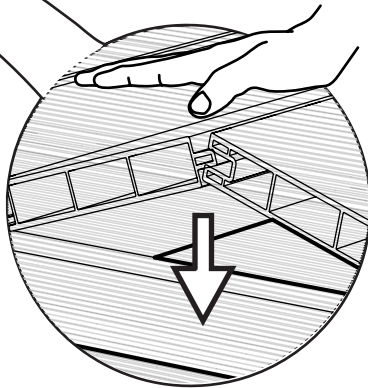
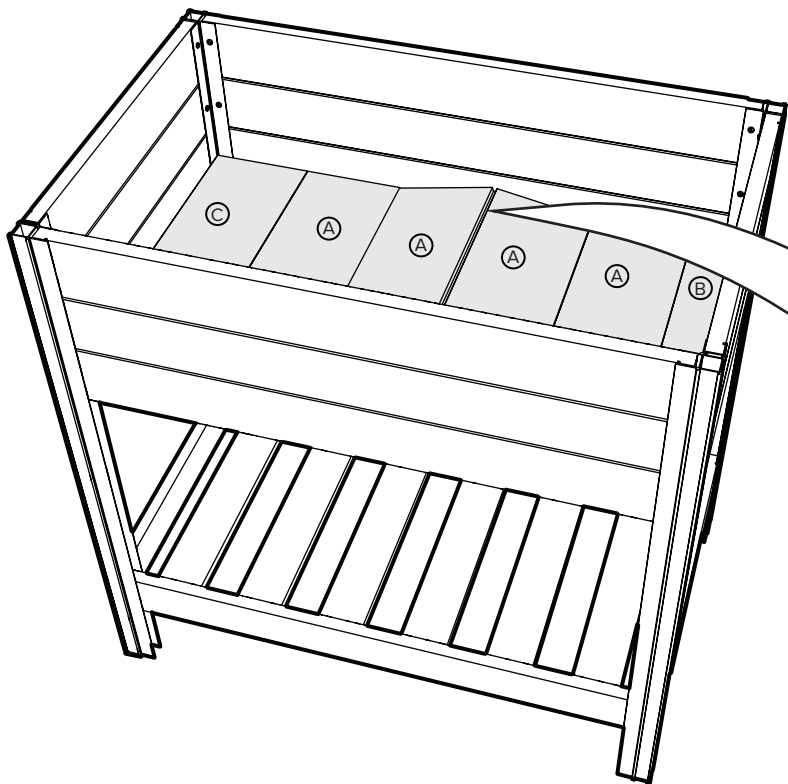
16098/15098 - x4 (A)



16099/15099 - x1 (B)



16111/15111 - x1 (C)



8

16003 - x4 