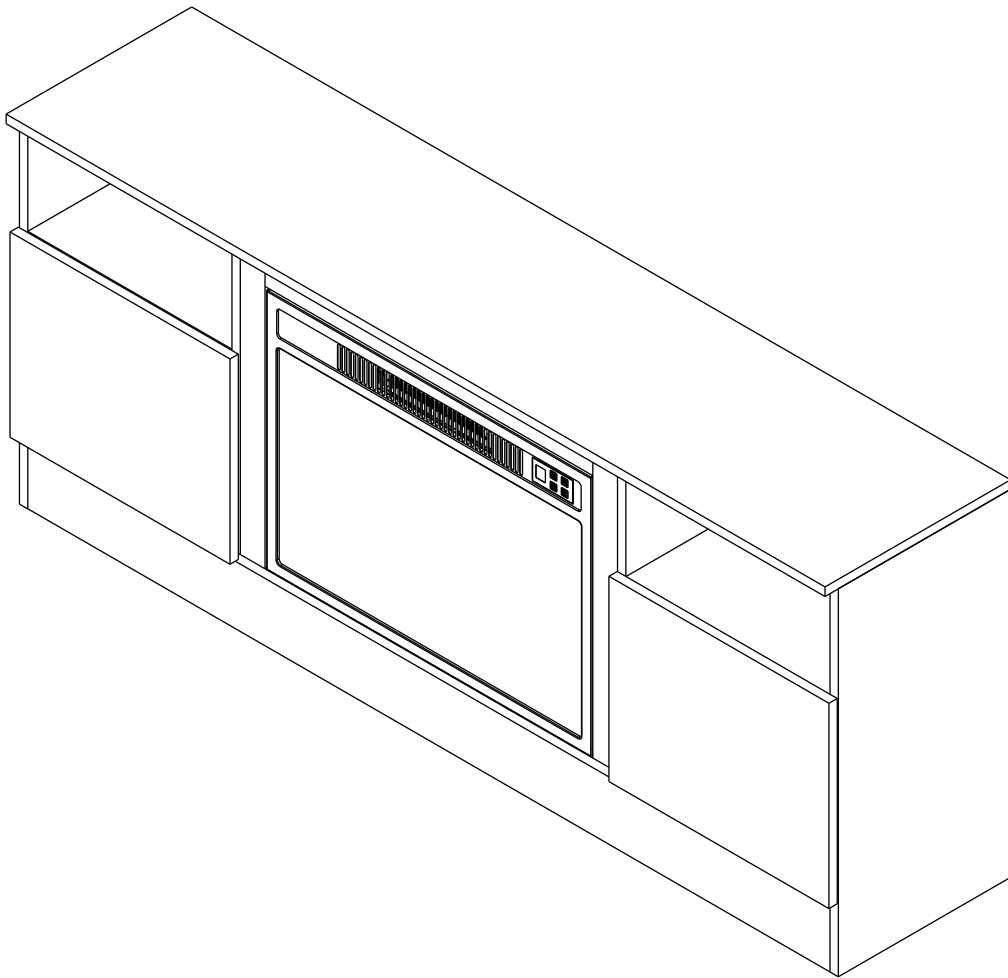
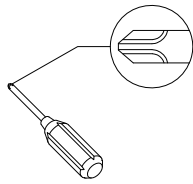


INSTRUCTION MANUAL

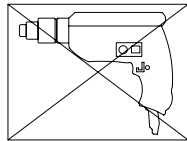


General Assembly Guidelines

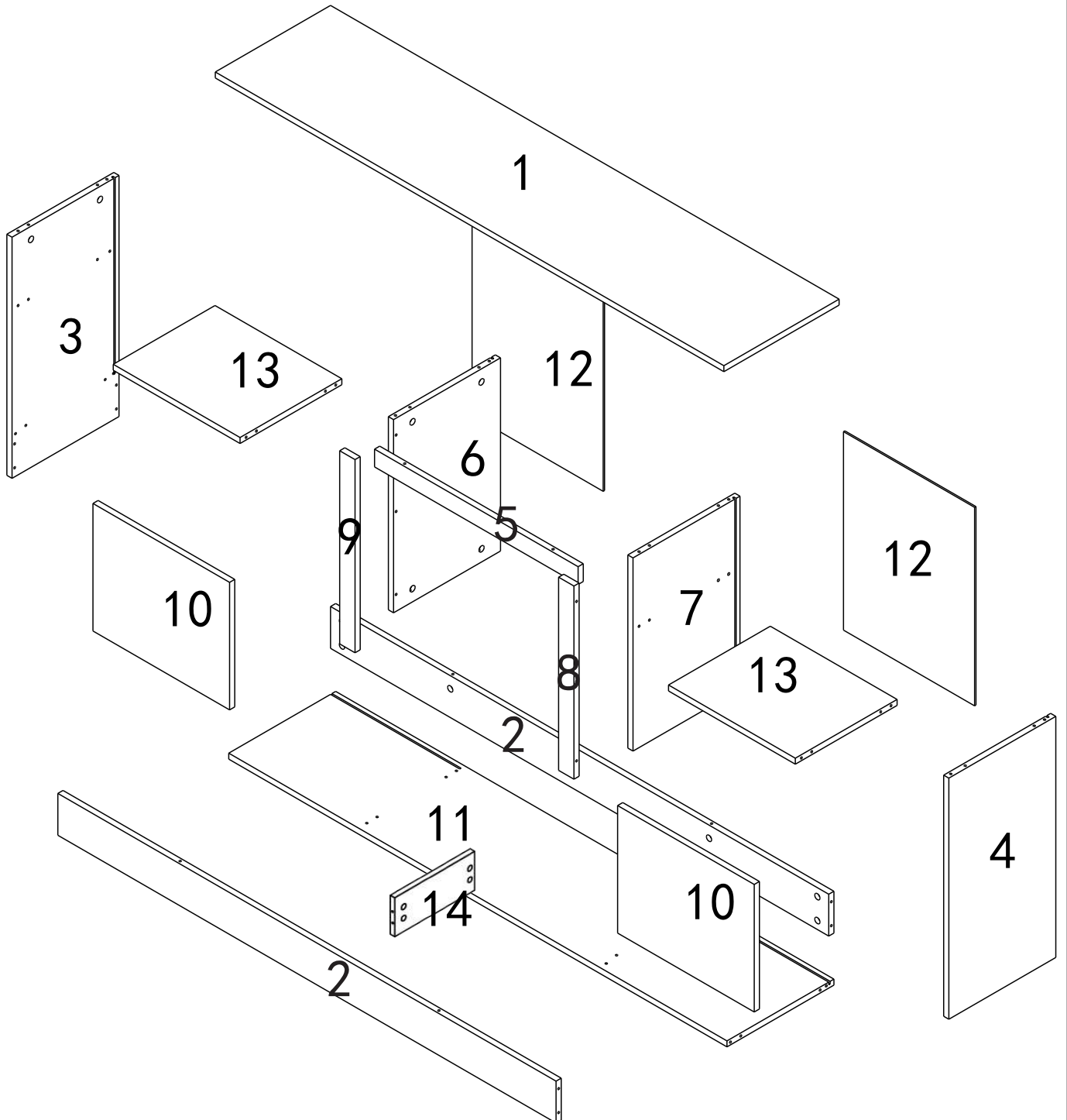
- I. Ensure that all parts and hardware are available before beginning assembly.
- II. Follow each step carefully to ensure the proper assembly of this product.
- III. Two people are recommended for ease in the assembly of this product.
- IV. The four main types of hardware used to assemble this product are: wood dowels, cam bolts and locks, bolts and screws.
- VI. A Phillips head screwdriver is required for the assembly of this product.



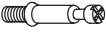

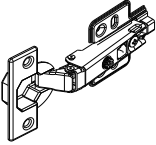
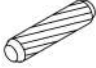

- VII. Power tools should not be used to assemble this product.






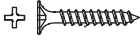

Partes List



Hardware List

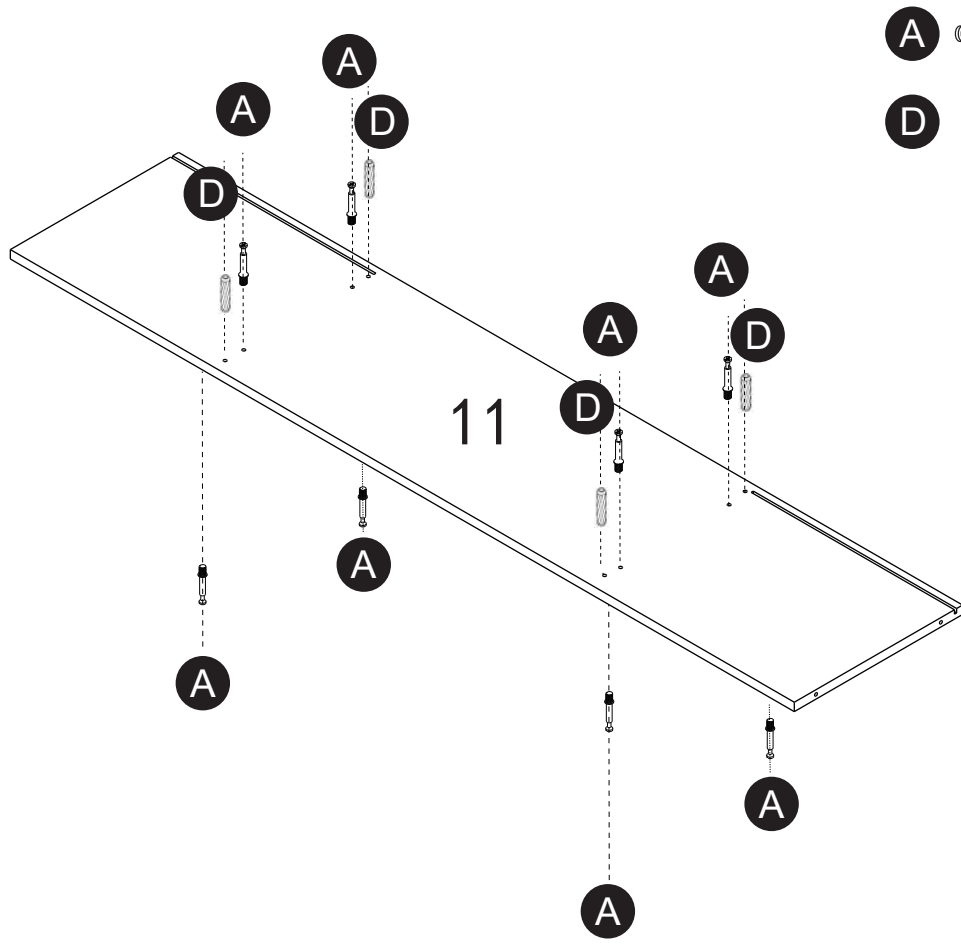
A			Cam lock	46 PCS
B			Cam bolt	46 PCS
C			Hinge	4 PCS
D			WOODEN STICK	25 PCS
E		Ø4x12mm	Medium screw	24 PCS

Wall mounting kit

PART #	IMAGE	DESCRIPTION	QTY.
AA		Mounting bracket	2
AB		Anchor	2
AC		Nylon strap	1
AD		Flat head screw, Ø 4 x 15 mm	2
AE		Flat head screw, Ø 4 x 30 mm	2

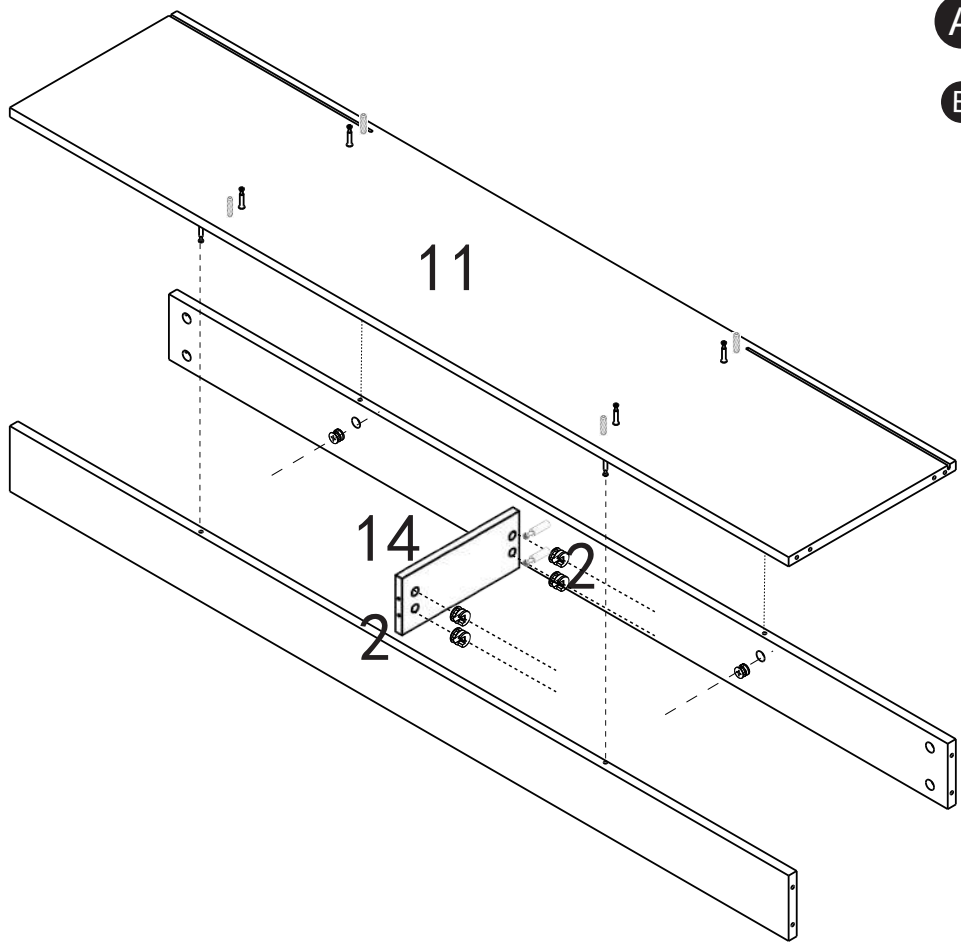
*The hardware quantities listed above are required for proper assembly.
Some extra hardware may also have been included.*

STEP.1



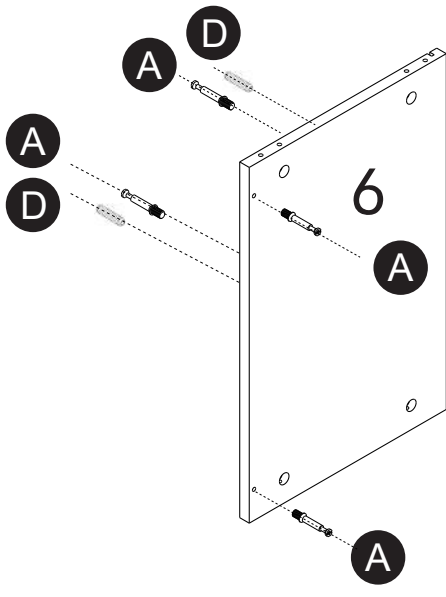
- A 8
- D 4

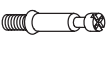

STEP.2

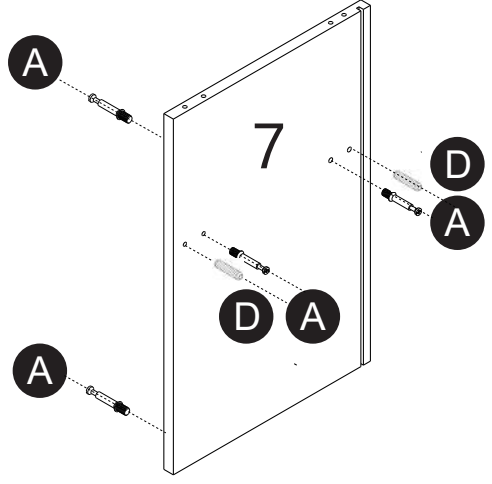


- A 4
- B 8

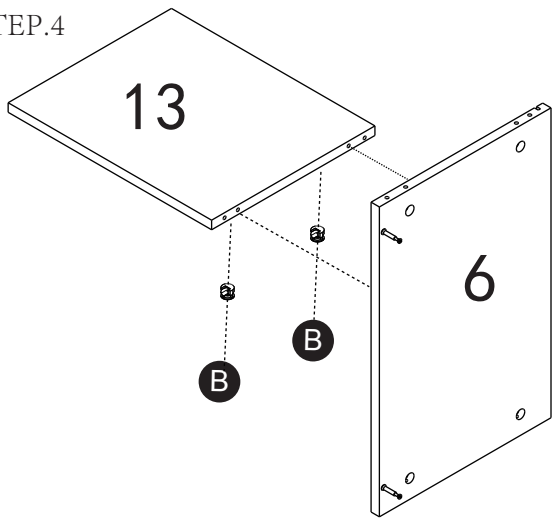
STEP.3



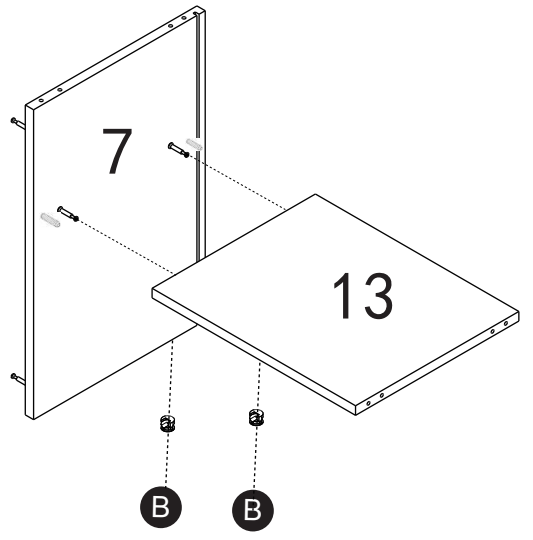
- A  8
- D  4



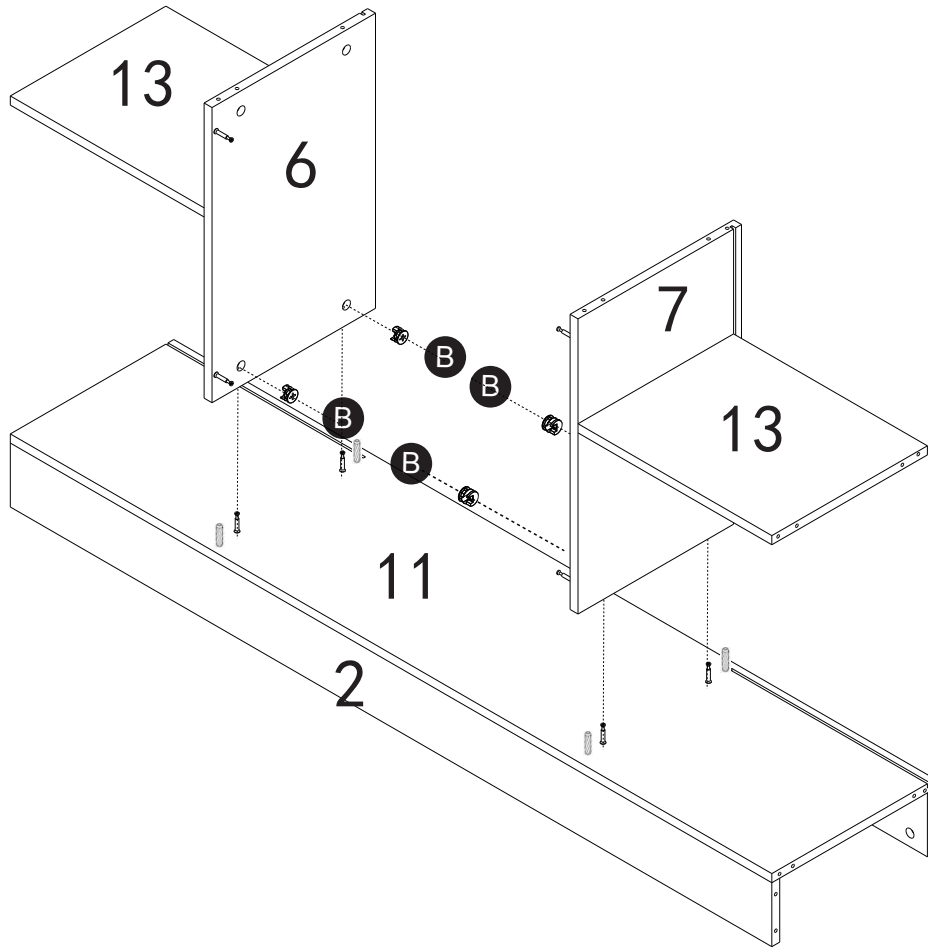
STEP.4



- B  4

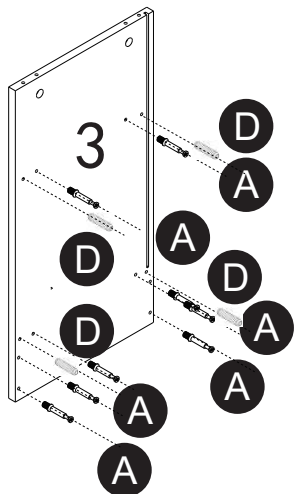


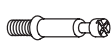
STEP.5



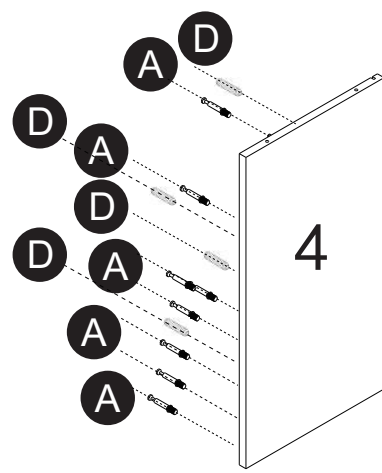
B  4

STEP.6



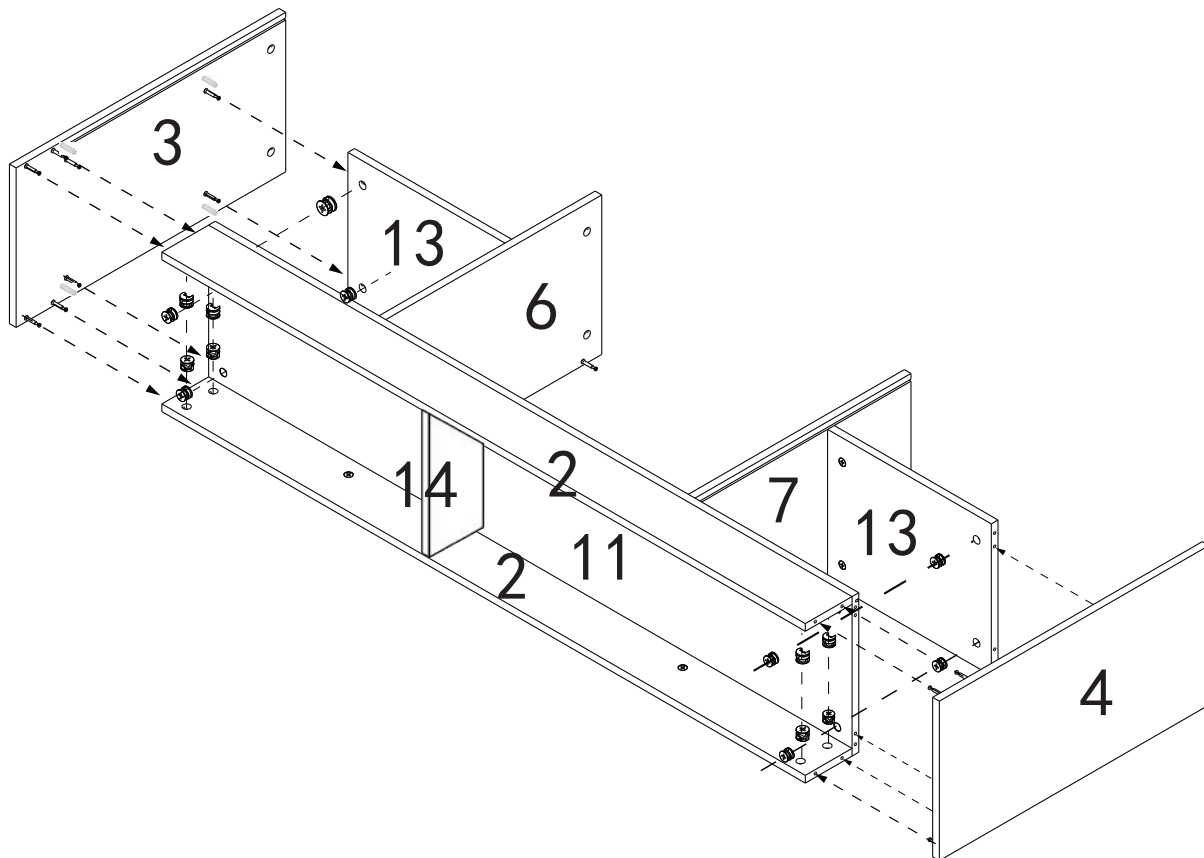
A  16

D  8



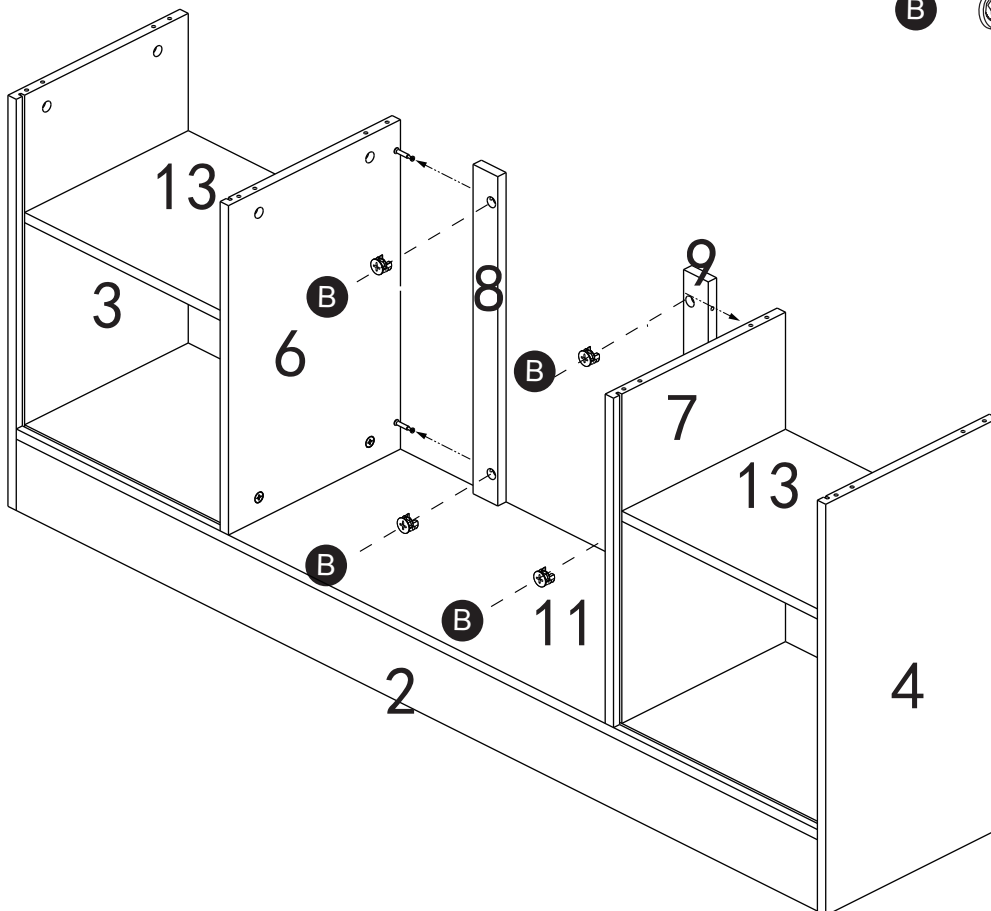
STEP.7

B  16

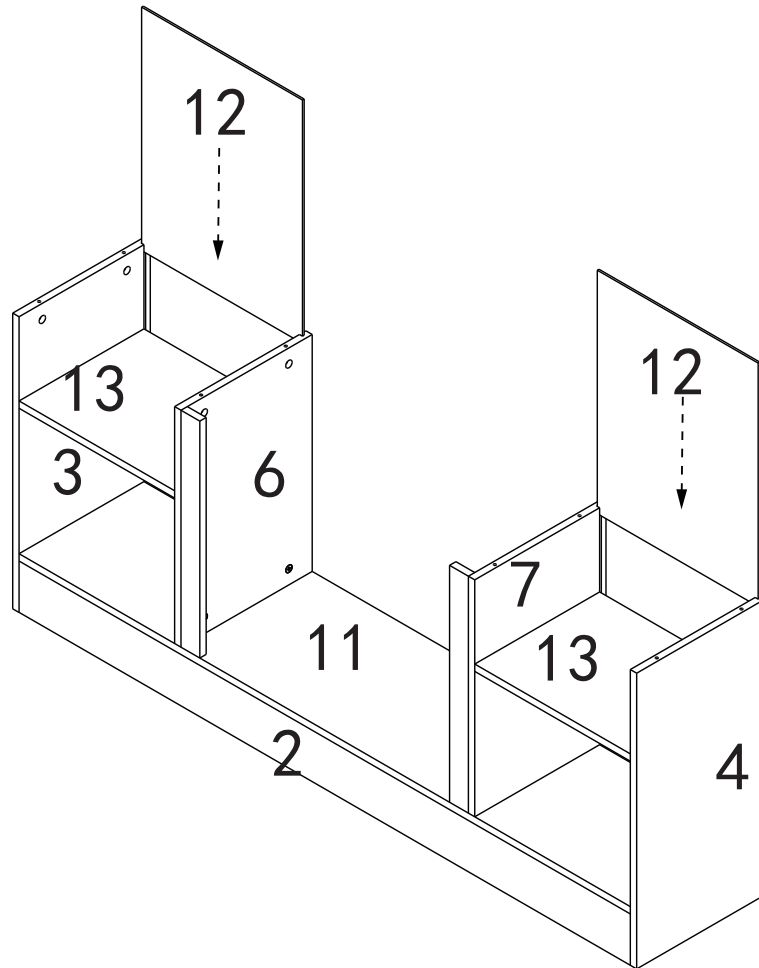


STEP.8

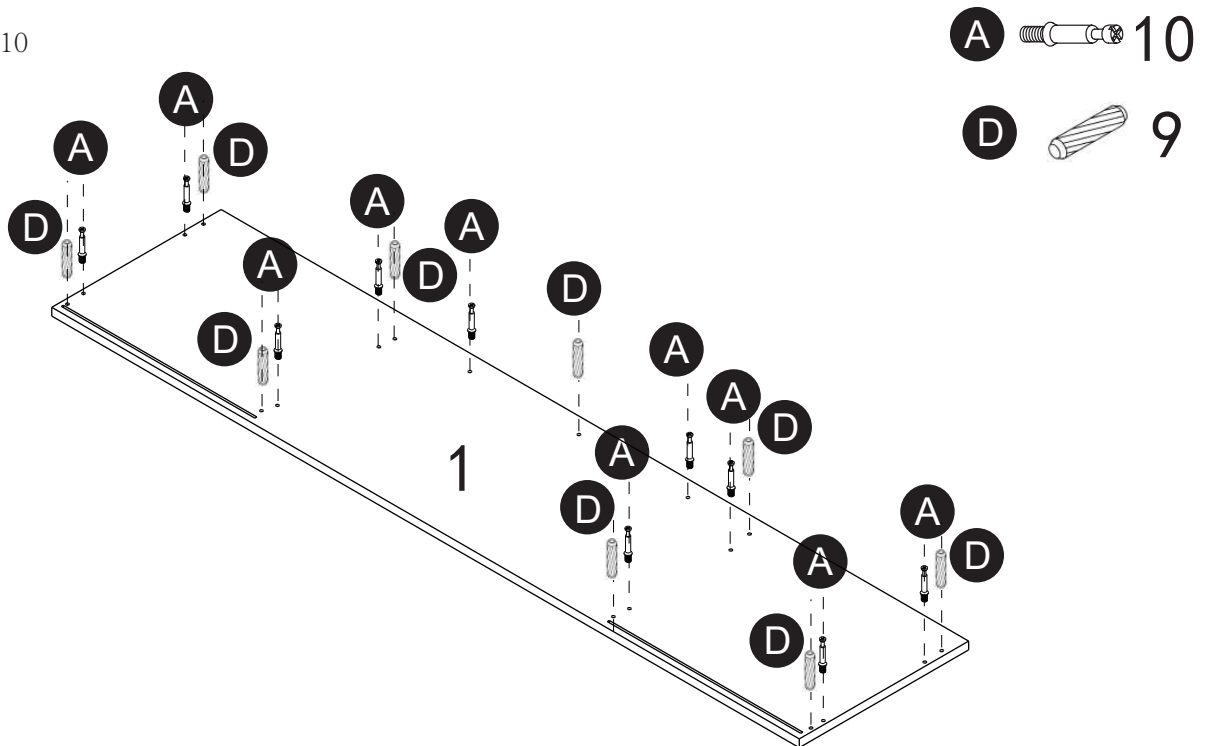
B  4



STEP.9

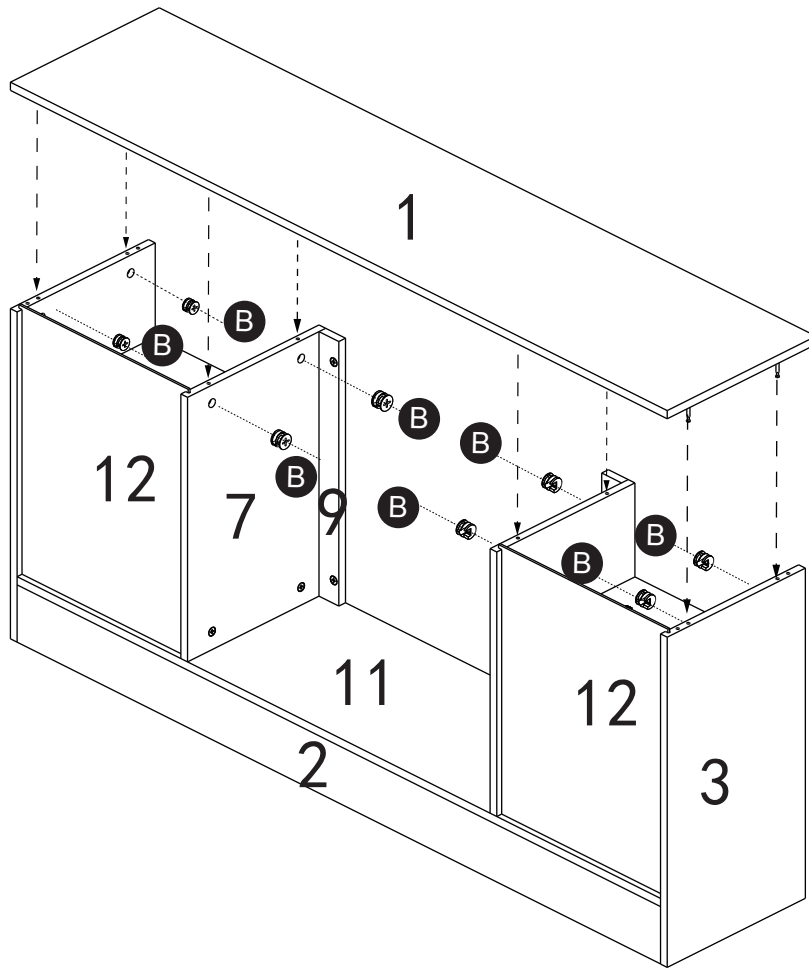


STEP.10



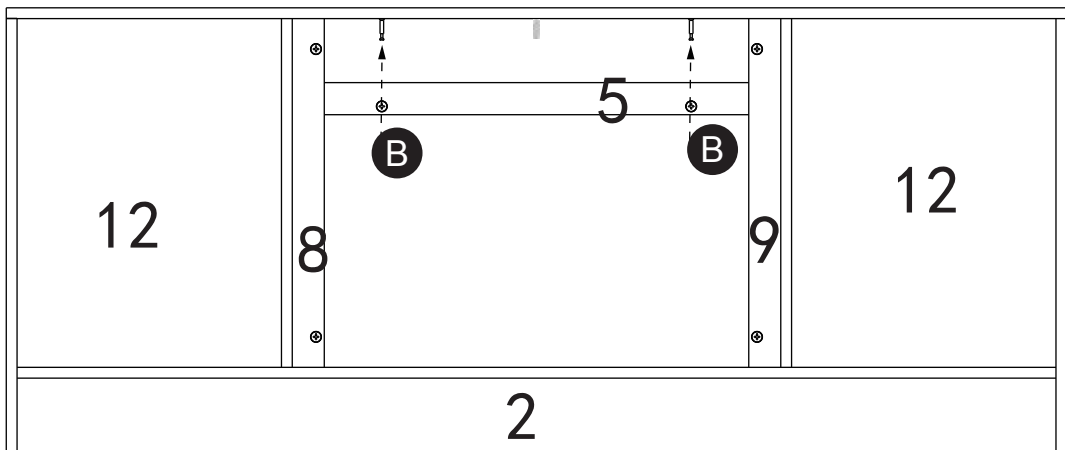
STEP.11

B  8

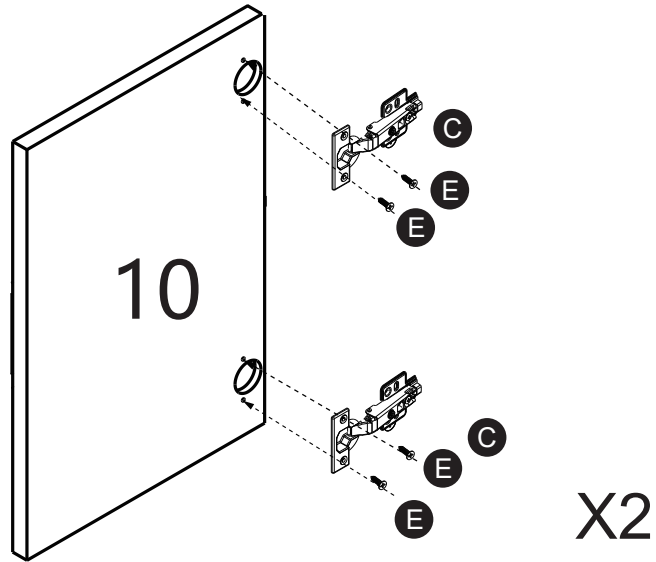
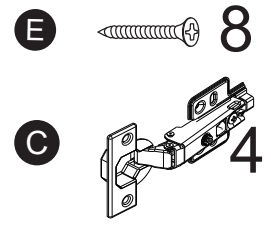


STEP.12

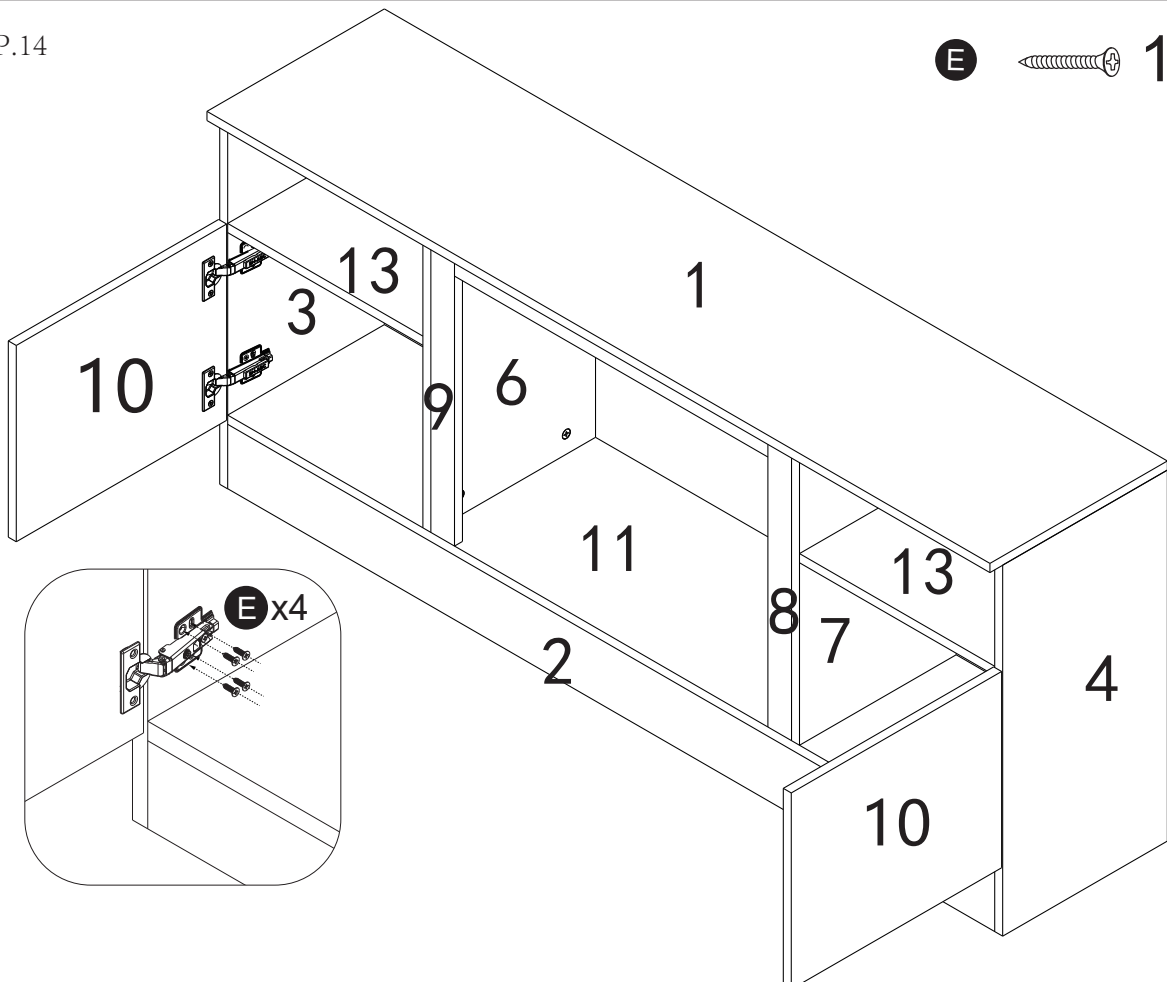
B  2



STEP.13



STEP.14

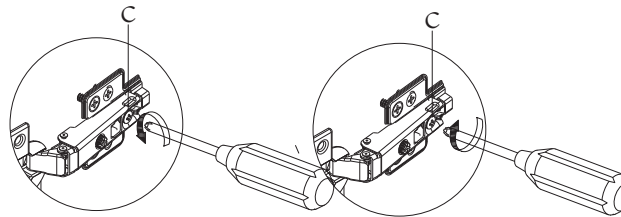
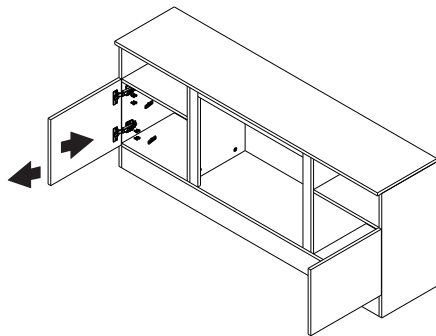
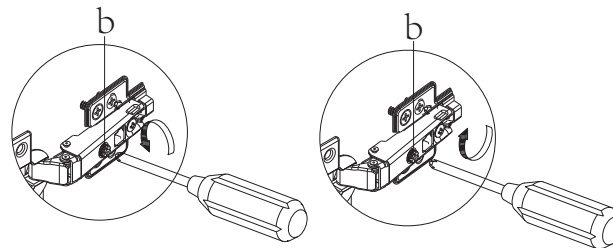
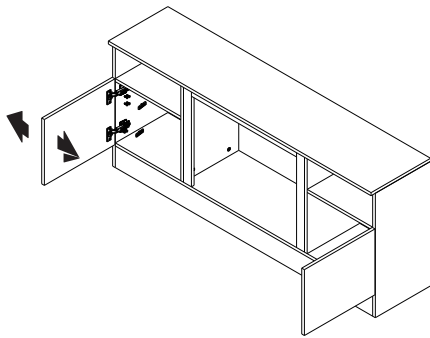
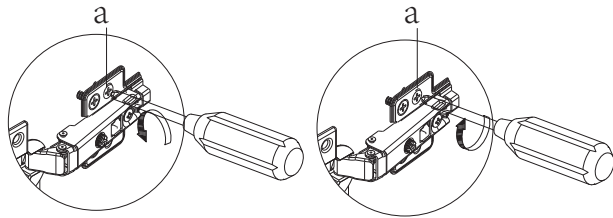
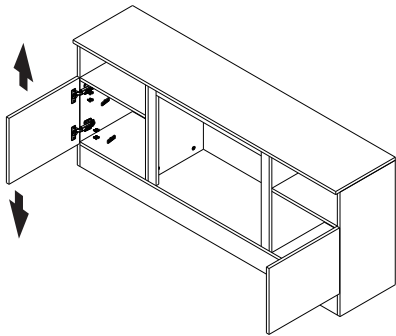


If you need to adjust the doors, do so in the following manner.

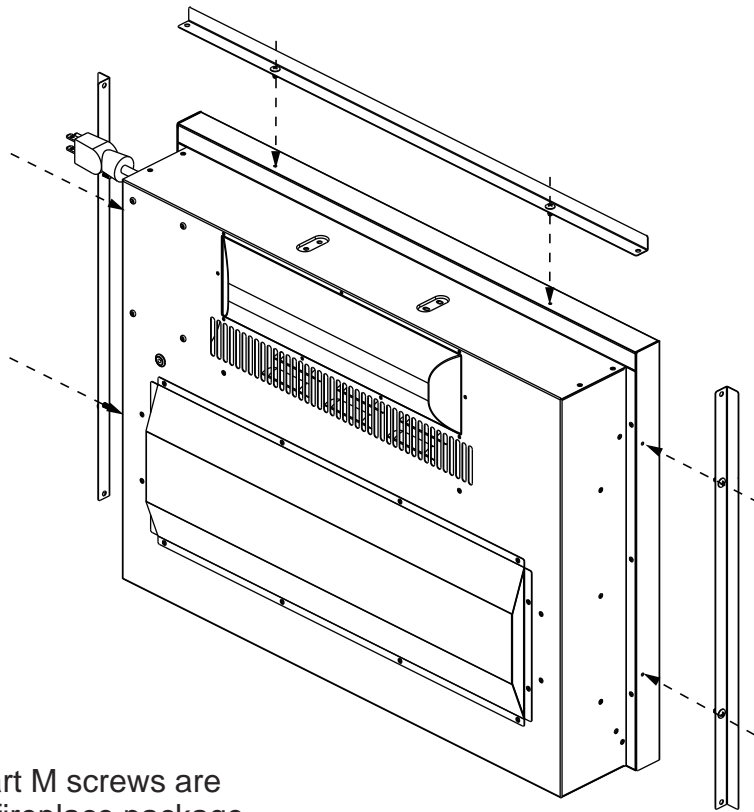
To adjust door up or down, loosen screws (a) on both hinges, adjust door, and retighten screws.

To adjust door left or right, turn screws (b) on both hinges, in and out.

To adjust door in or out, loosen screws (c) on both hinges, adjust door, and retighten screws.



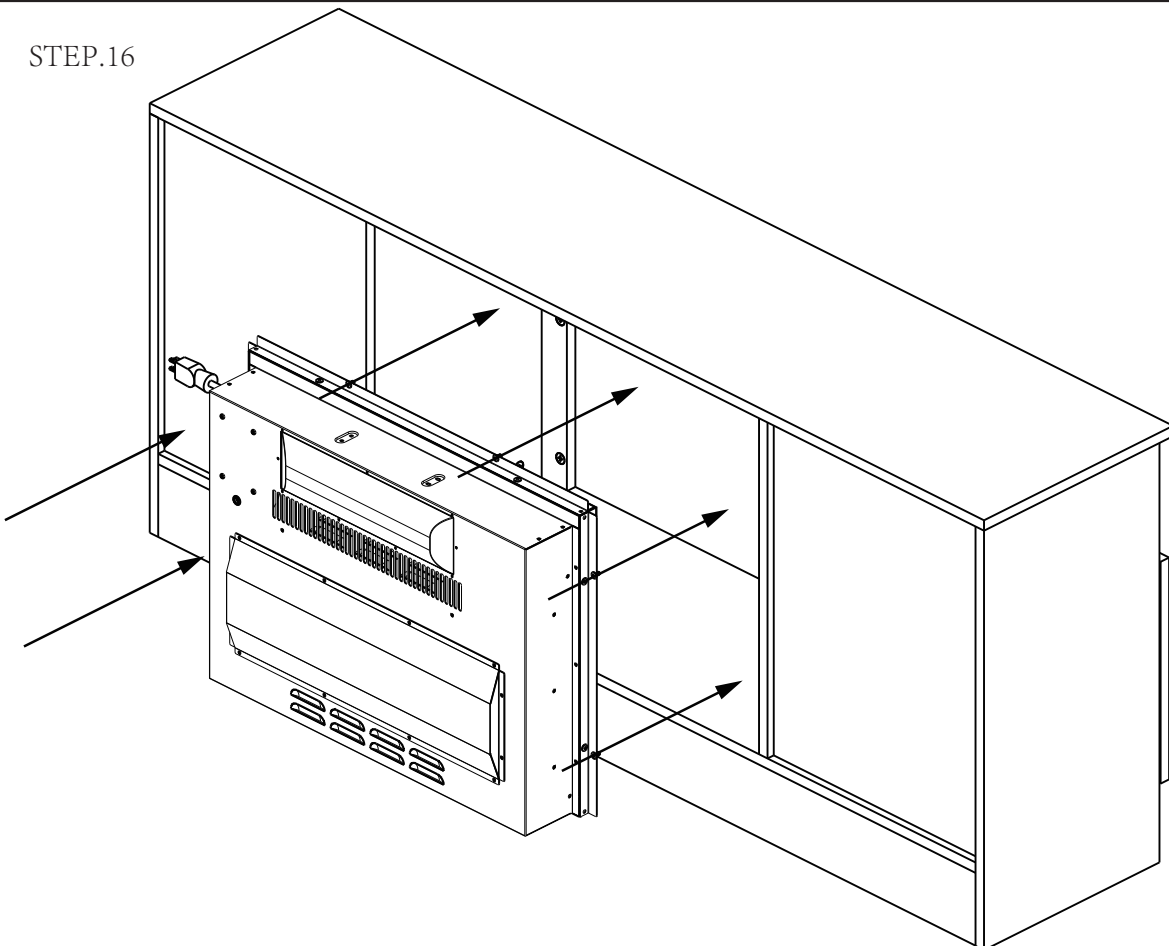
STEP.15

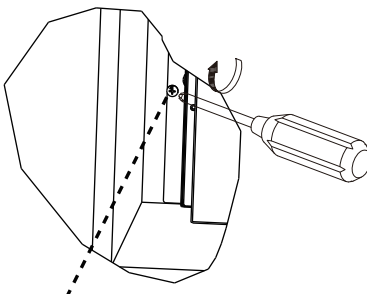
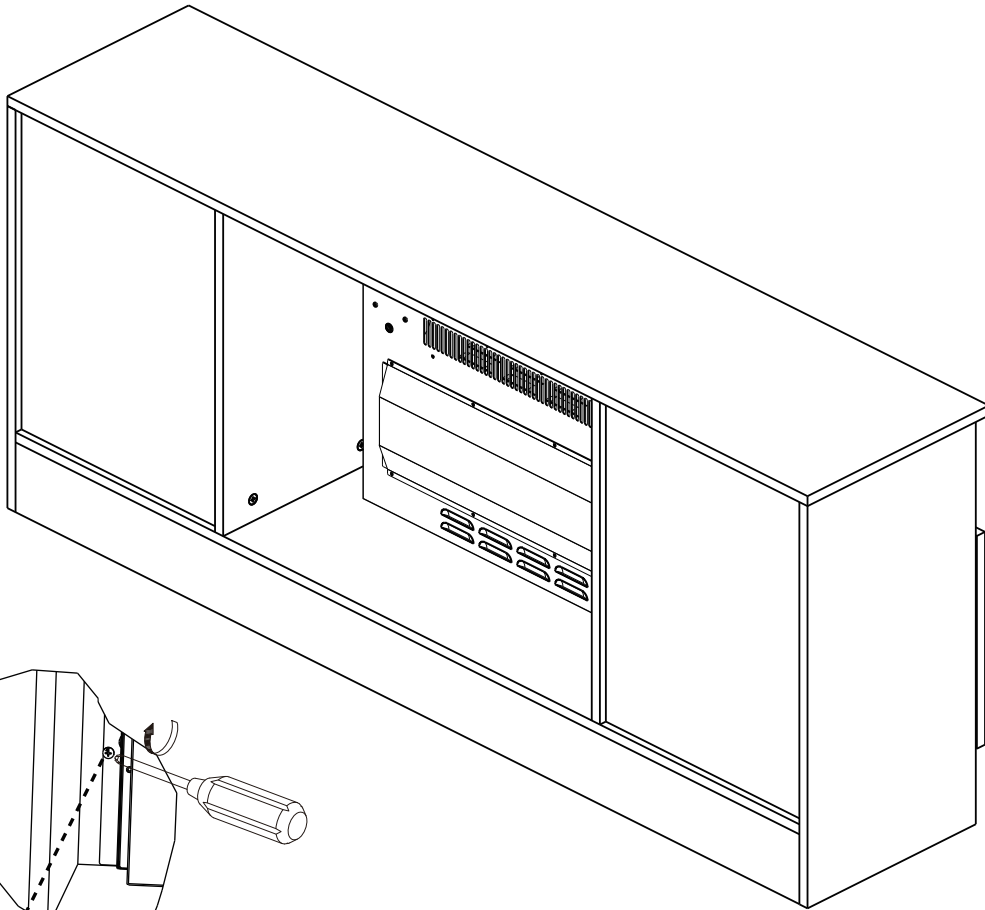


Note : Part M screws are
place on fireplace package

M X6

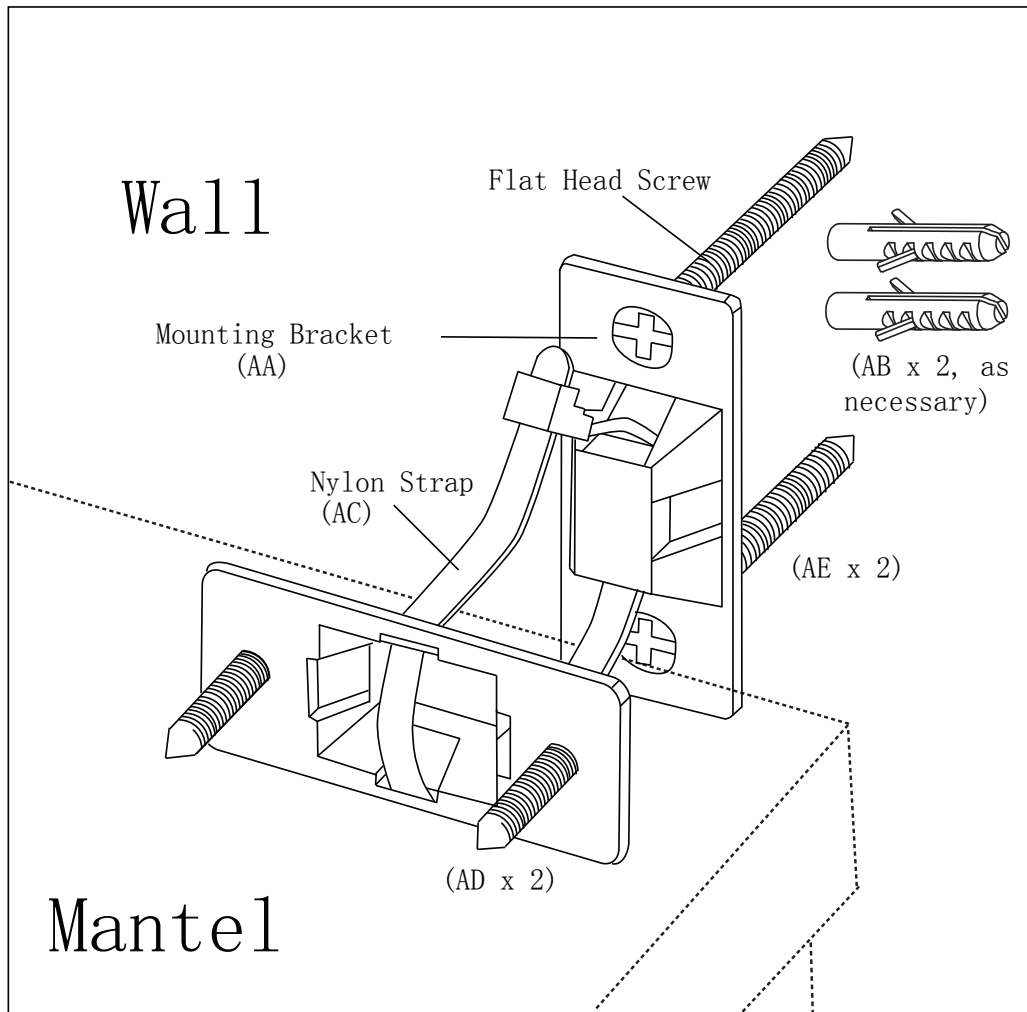
STEP.16





M X6

assembly
anchoring the media console



care and maintenance



- Do not use abrasive or chemical cleaners. Discolouring or damage to finish may result. To adjust door left or right, turn screws (b) on both hinges, in and out.

Clean media console with a non-abrasive cloth. Clean as often as necessary.

note:

Excessive sun exposure may cause discolouring or fading of media console finish.