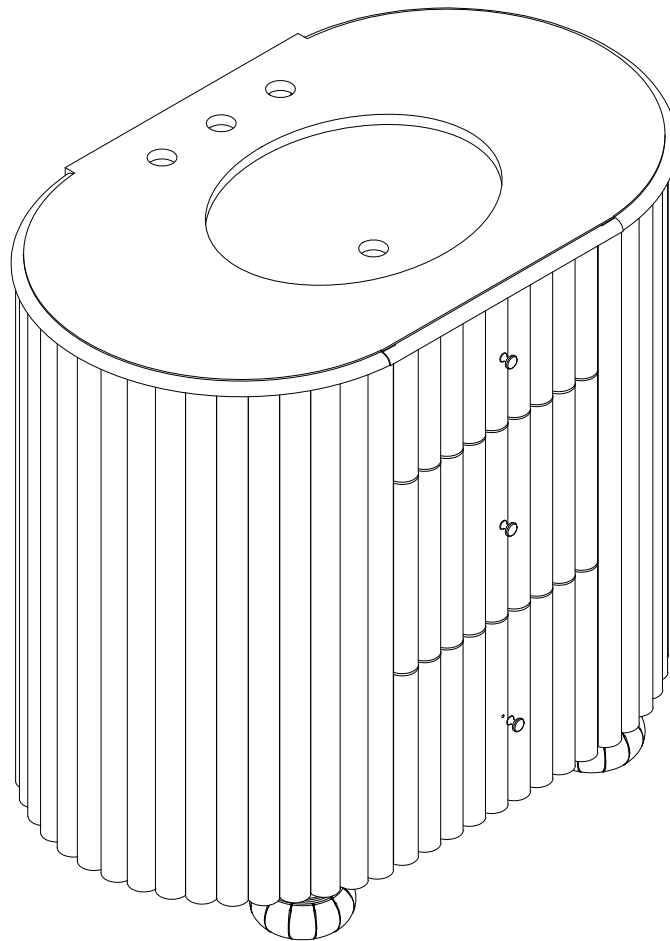


ROSALISA 36" SINGLE VANITY

DESIGN #CVN1002A-36

Assembly Instructions



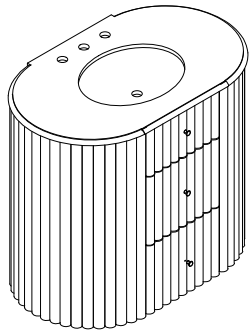
SAFAVIEH
COUTURE

Thanks for bringing Safavieh Couture into your home

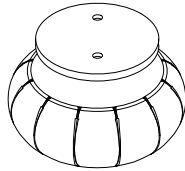
Every thing we make is incredibly simple to set up, including your new vanity. You won't need any additional tools.

Parts List

A x 1
MAIN BODY

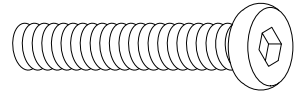


B x 4
LEGS



Parts List

HW1 x 8
BOLTS \varnothing 1/4x63mm

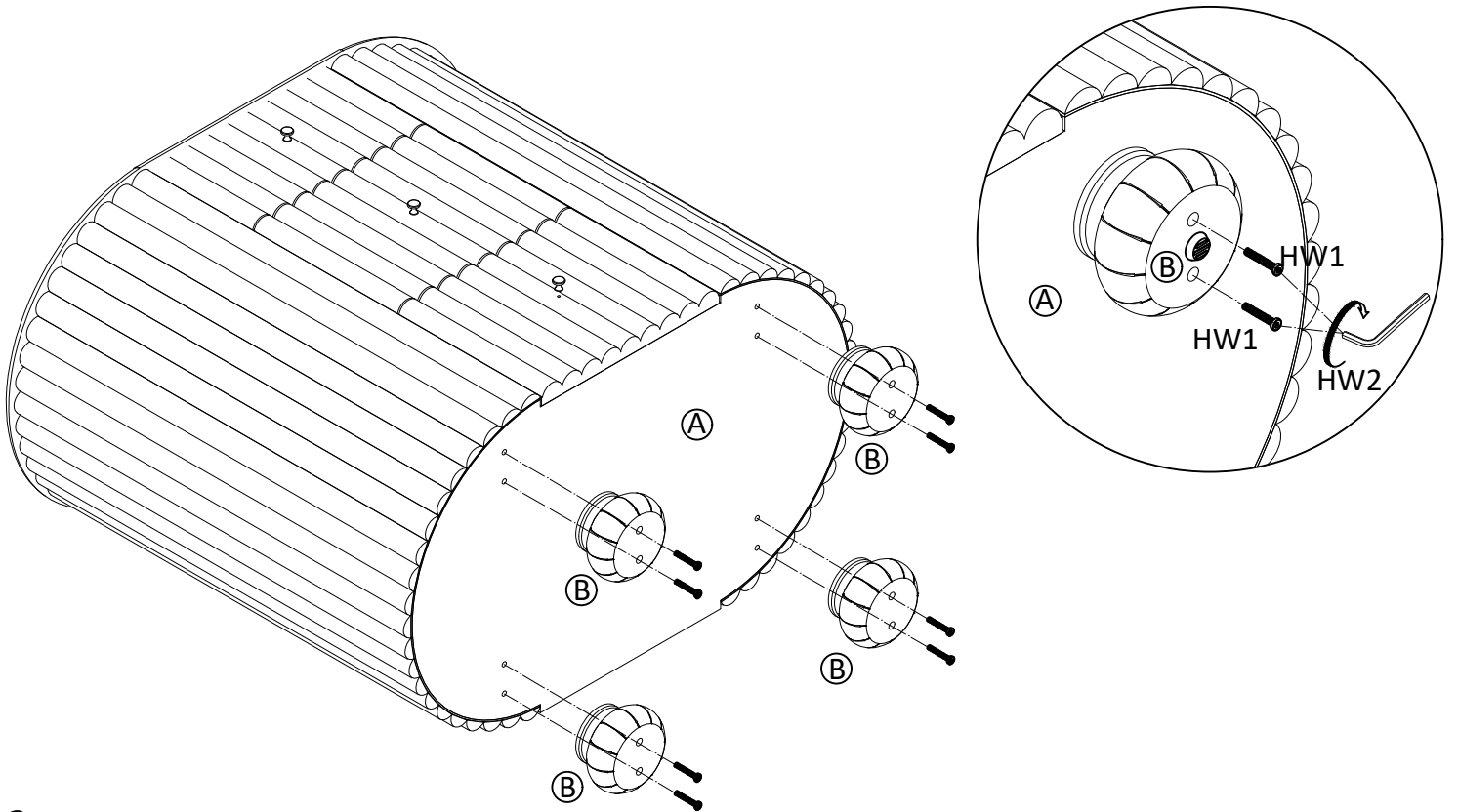


HW2 x 1
ALLEN KEY



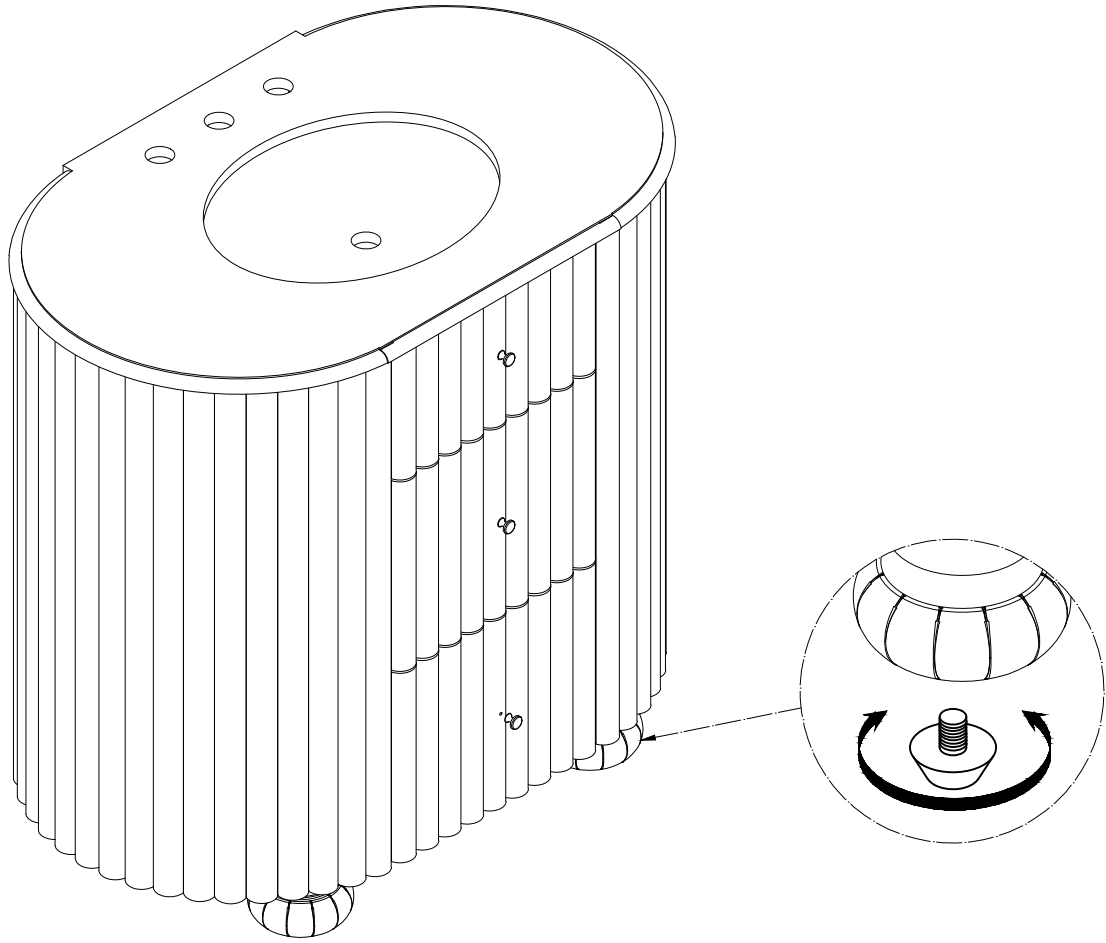
1

Place the Vanity Body (A) on its back on a soft and clean surface. Align the screw holes on the bottom of the Vanity Body (A) to the screw holes in the Legs (B). Use the Allen Key (HW2) to screw in the Bolts (HW1).

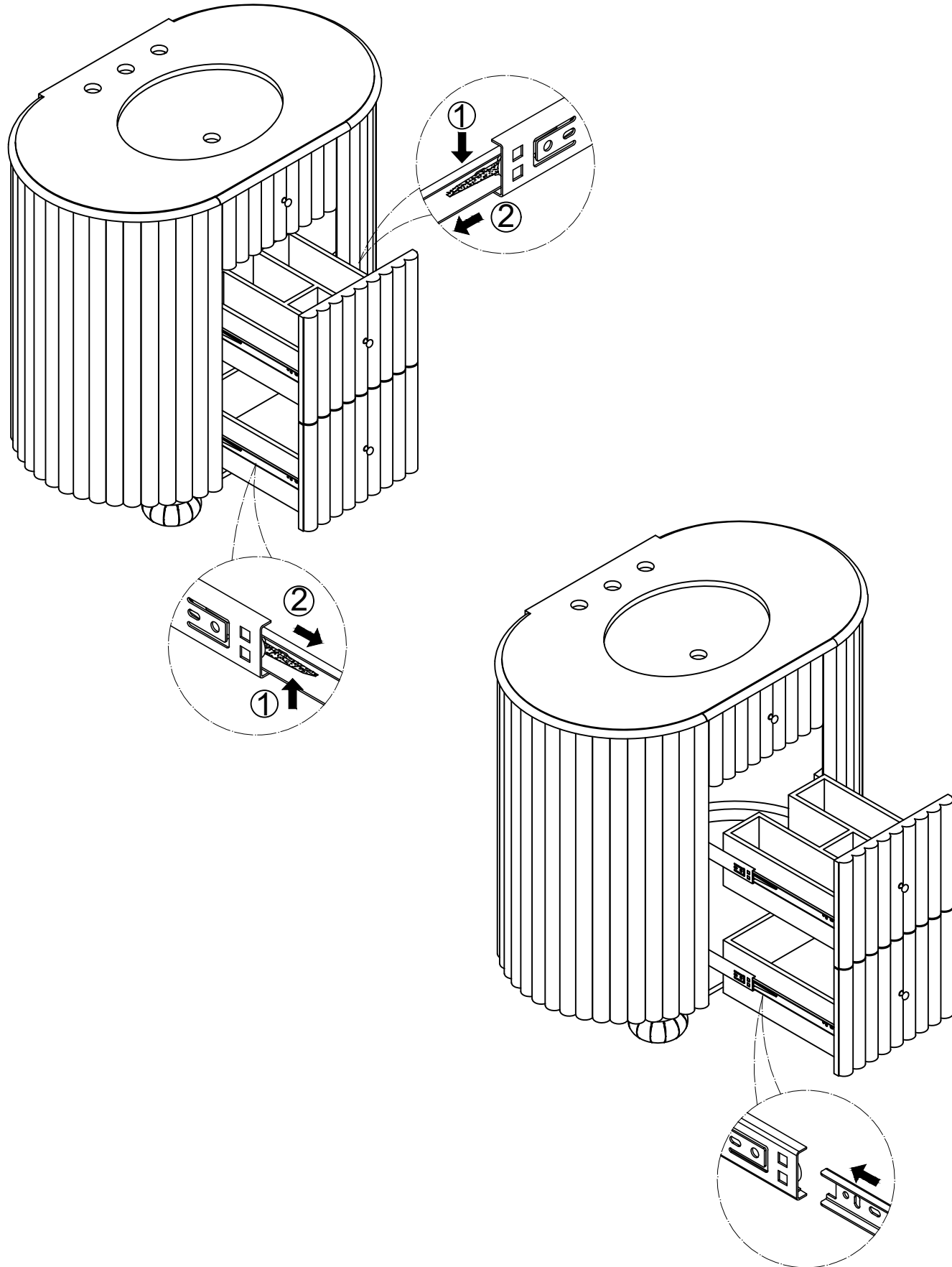


2

Adjust the levelers on the bottom of the feet as needed to make the Vanity level.

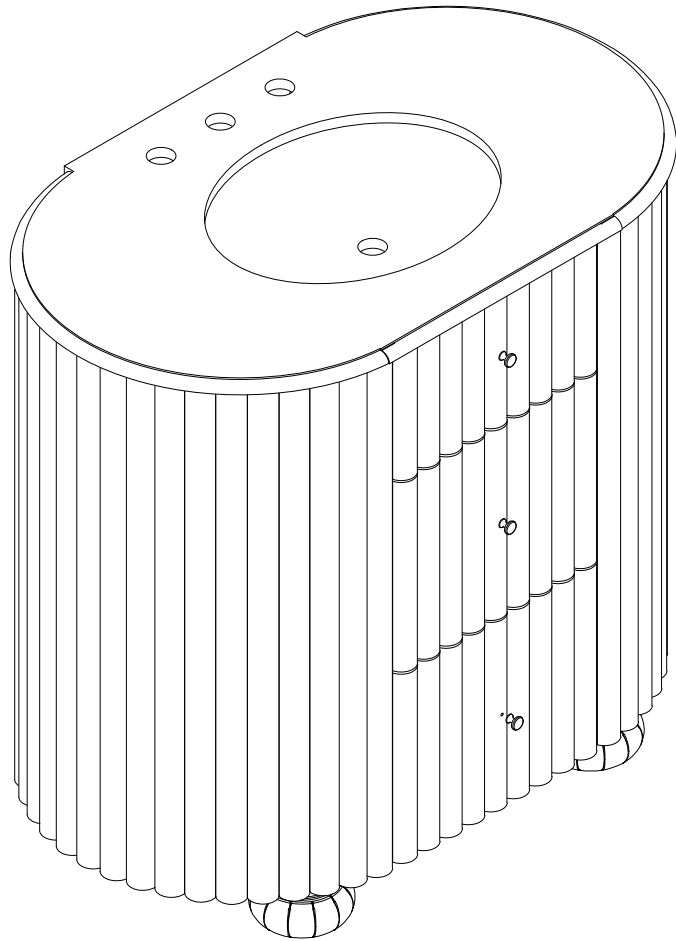


To remove the drawers, detach the male slides from the female slides by pressing up on the tabs and pulling the drawer forward. To reattach the drawers, align the male slides with the female slides and push the drawers in gently.



Place the Vanity in the place where you will use it. We'd love to see it – just tag us (we're @safavieh) and use the hashtag #safavieh on Instagram!

@safavieh



Need help?

Feel free to contact us via email or call if you have any specific questions!

contact us:

cs@safavieh.com

866-422-9070