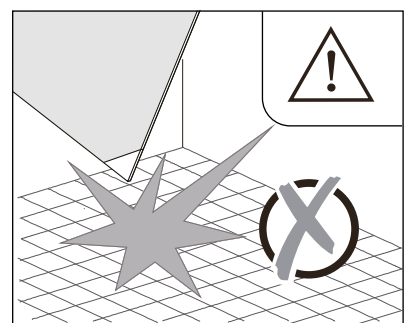
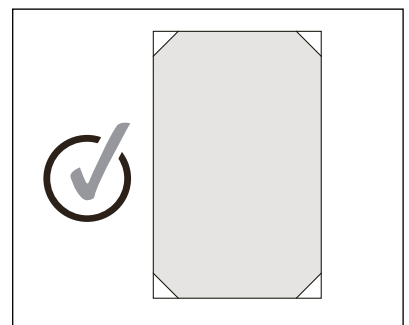
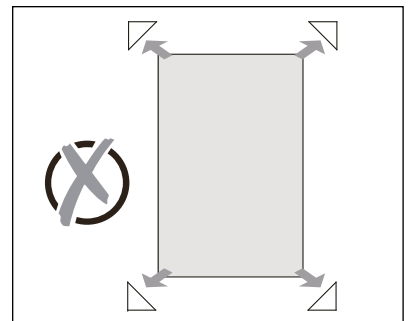
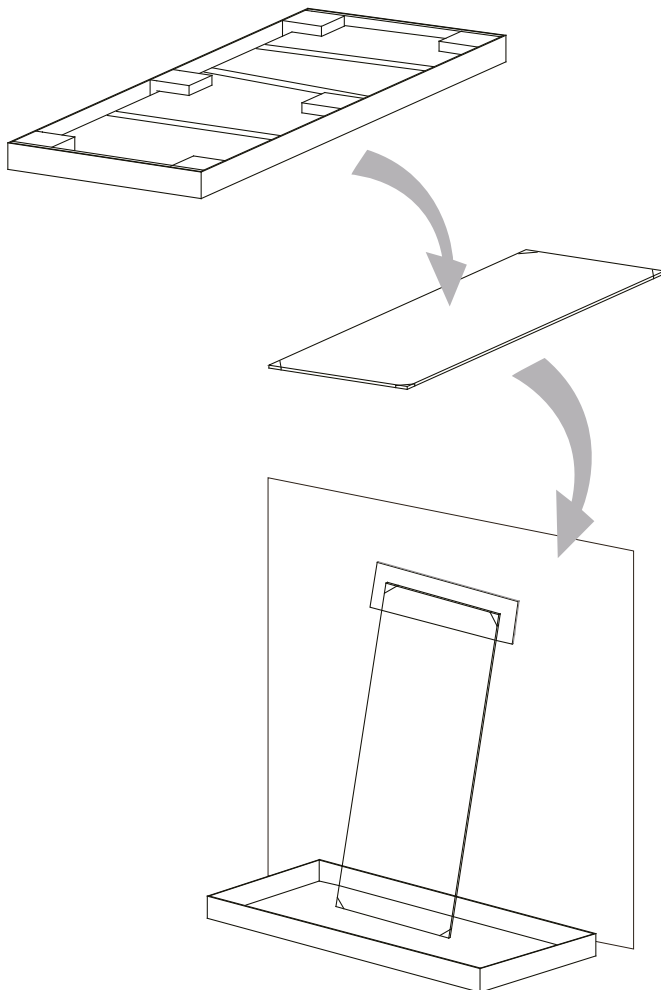
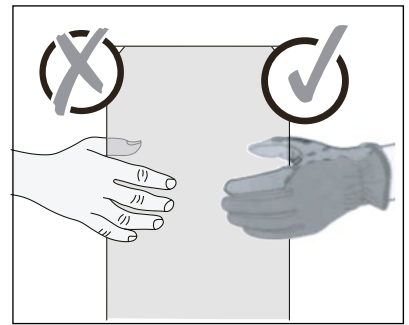
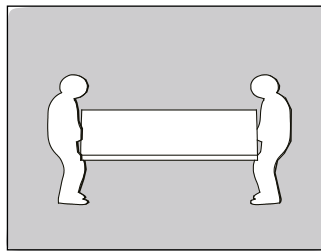
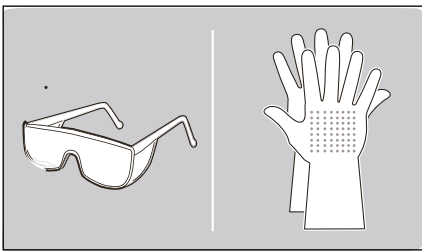
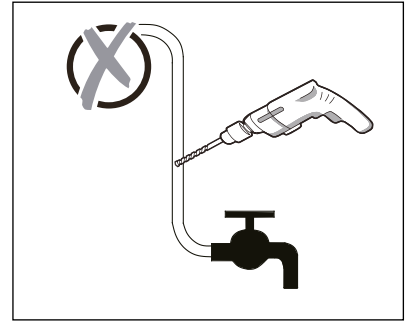
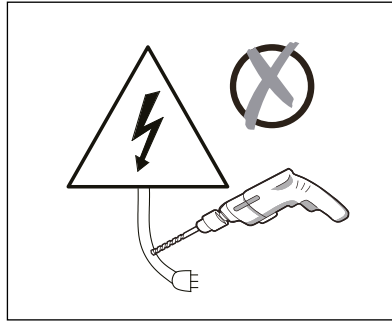
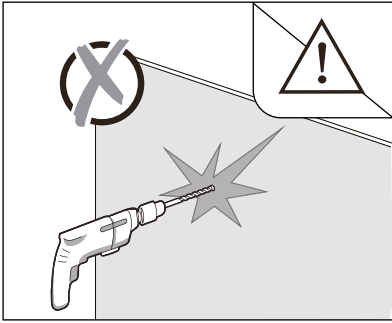
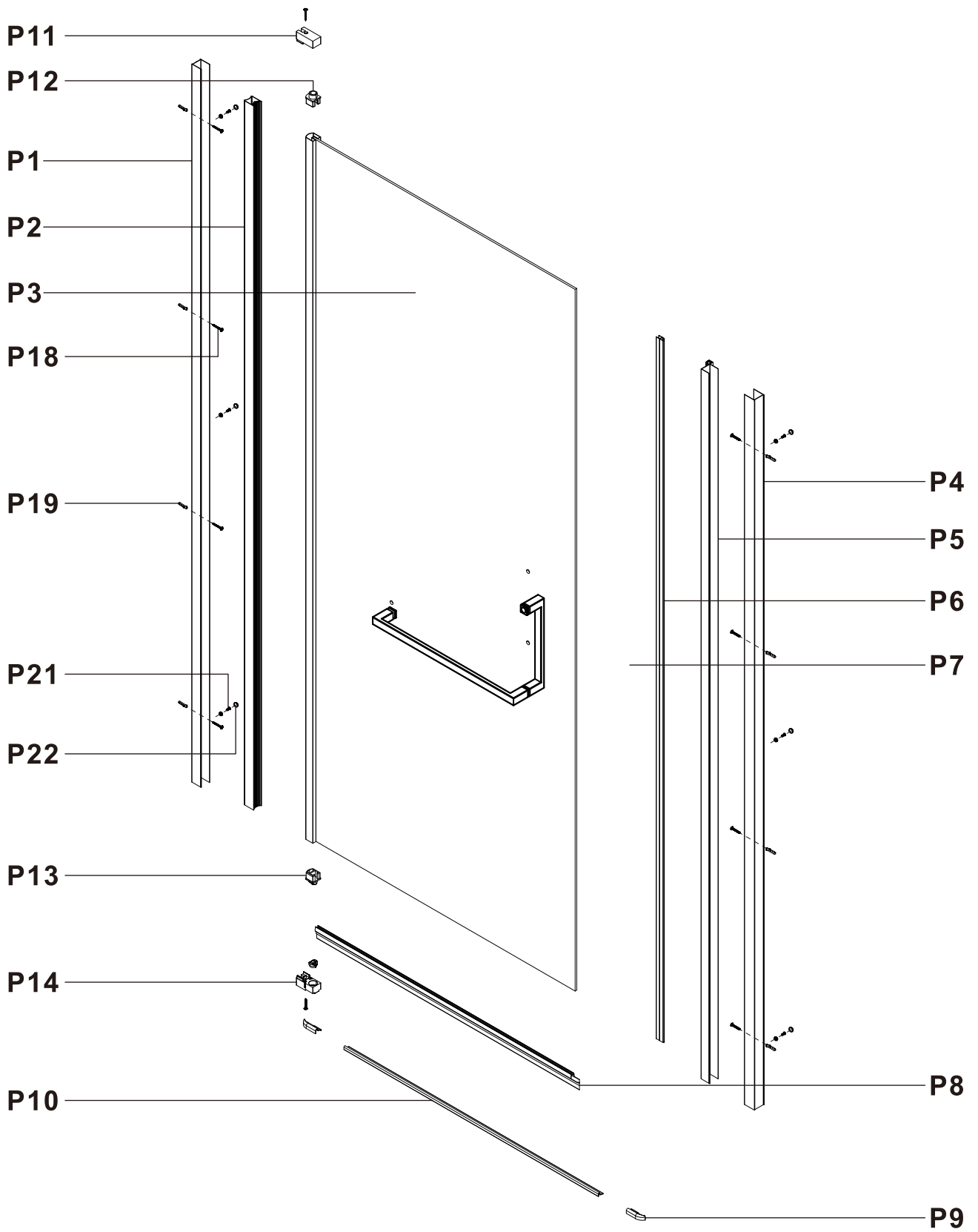


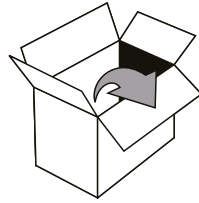
ARJ-P01B-28
28"*72" inch

ARJ-P01B-32
32"*72" inch

ARJ-P01B-34
34"*72" inch

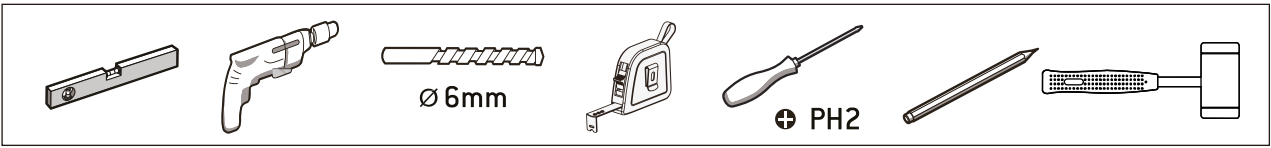






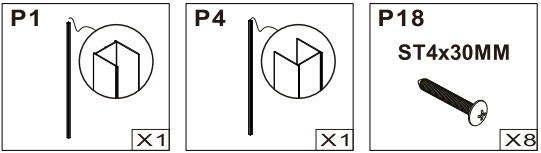
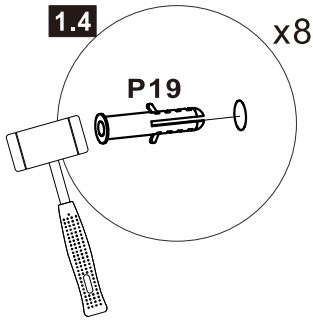
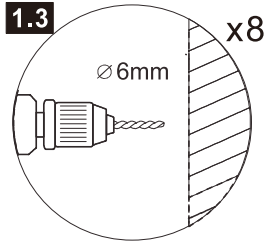
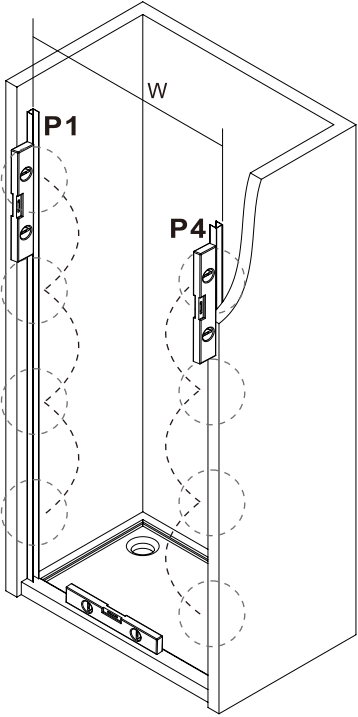
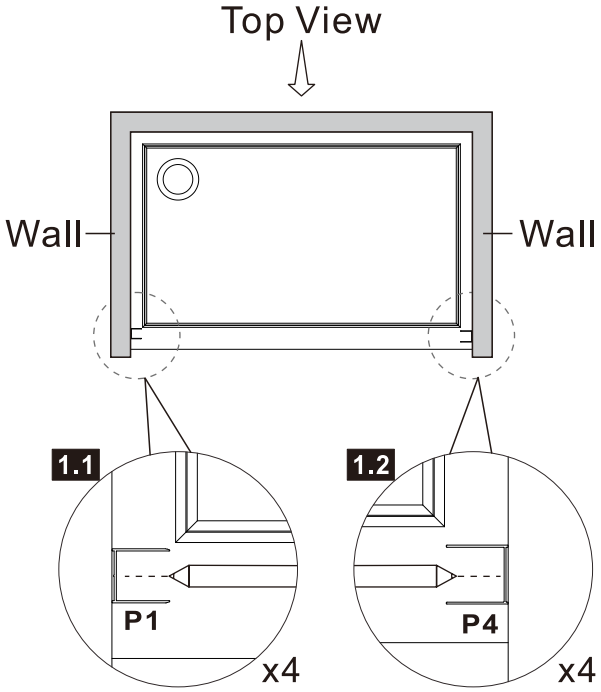
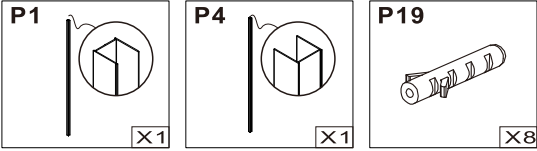
<p>P1</p> <p>1830mm</p> <p>X1</p>	<p>P2</p> <p>X1</p>	<p>P3</p> <p>X1</p>	<p>P4</p> <p>1805mm</p> <p>X1</p>
<p>P5</p> <p>X1</p>	<p>P6</p> <p>X1</p>	<p>P7</p> <p>X1</p>	<p>P8</p> <p>X1</p>
<p>P9</p> <p>X1</p>	<p>P10</p> <p>X1</p>	<p>P11</p> <p>X1</p>	<p>P12</p> <p>X1</p>
<p>P13</p> <p>X1</p>	<p>P14</p> <p>X1</p>	<p>P18 ST4x30MM</p> <p>X10</p>	<p>P19</p> <p>X8</p>
<p>P21 ST4x10MM</p> <p>X6</p>	<p>P22</p> <p>X6</p>		

<p>Ø6mm</p>	
<p>PH2</p>	
<p>Ø3mm</p>	

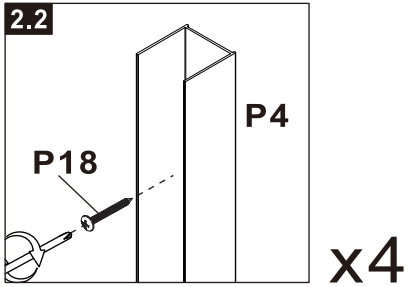
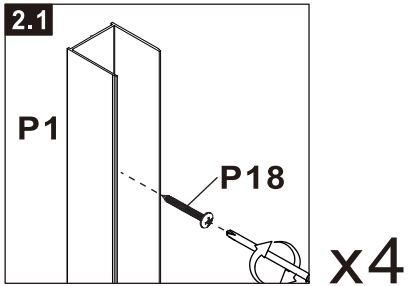
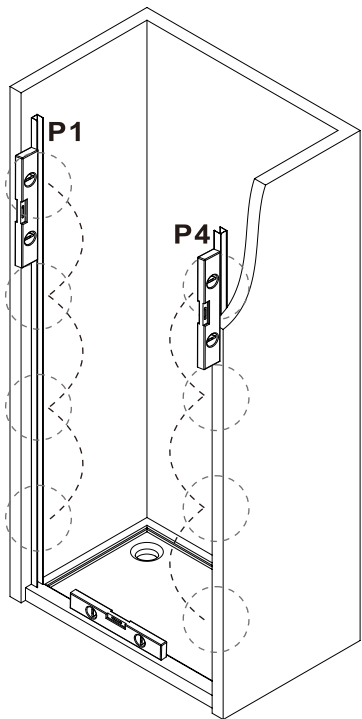


5

1



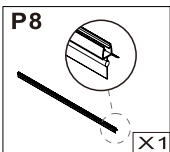
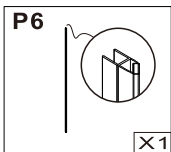
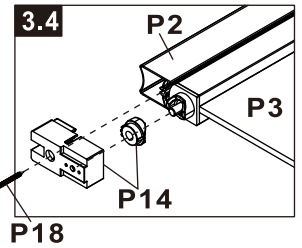
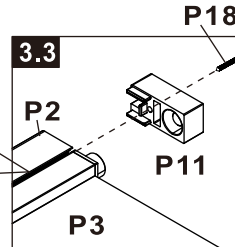
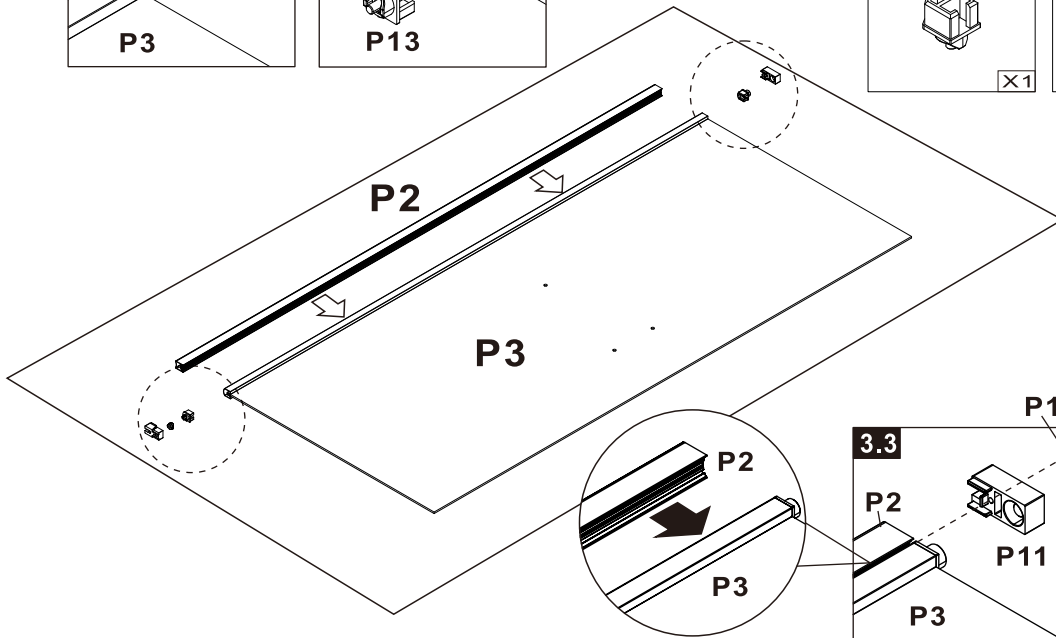
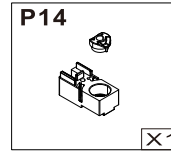
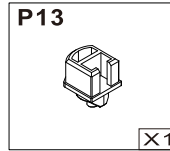
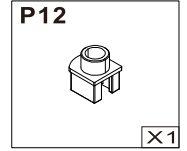
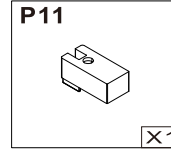
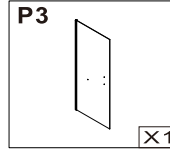
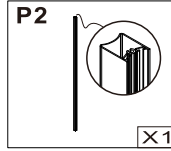
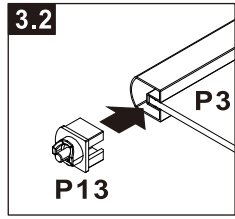
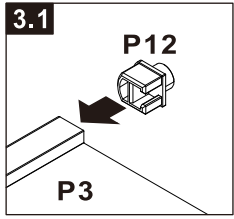
2



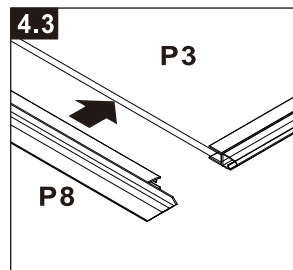
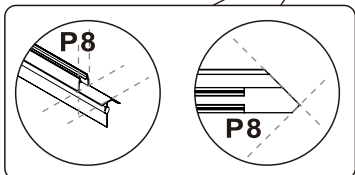
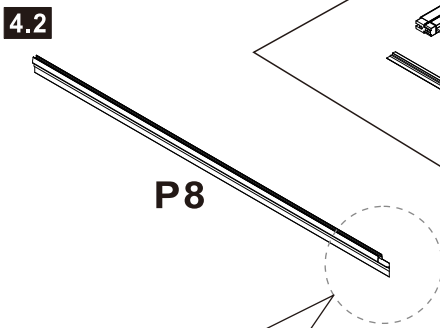
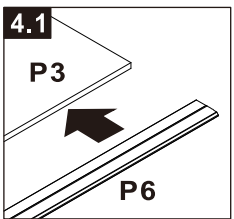
6



3



4





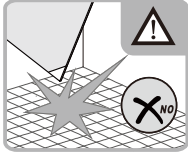
PH2



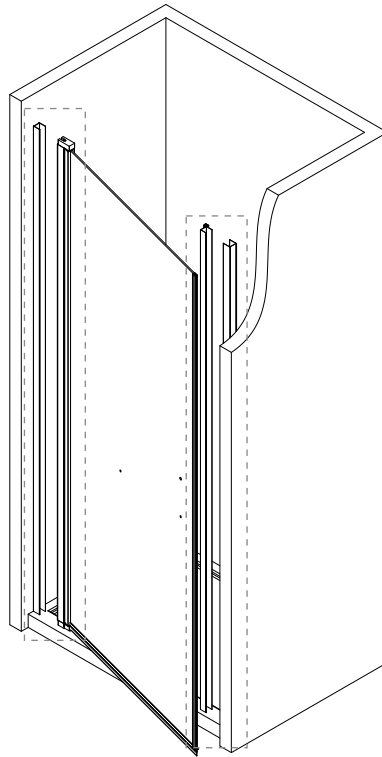
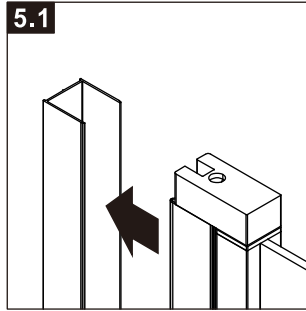
Ø3mm



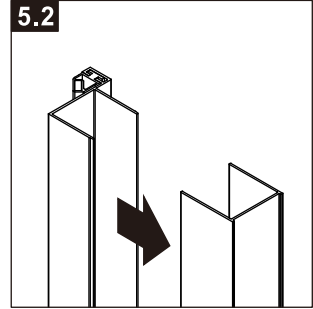
5



5.1



5.2



P21
ST4x10MM



X6

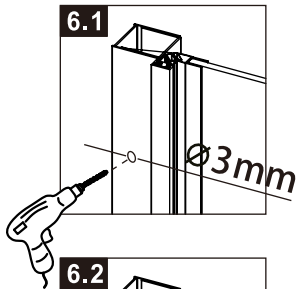
P22



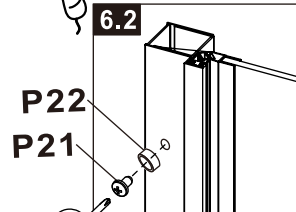
X6

6

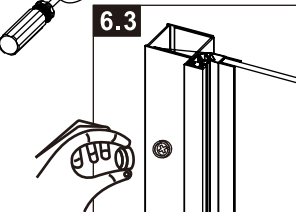
6.1



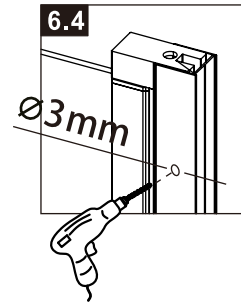
6.2



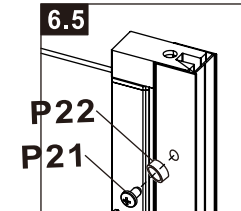
6.3



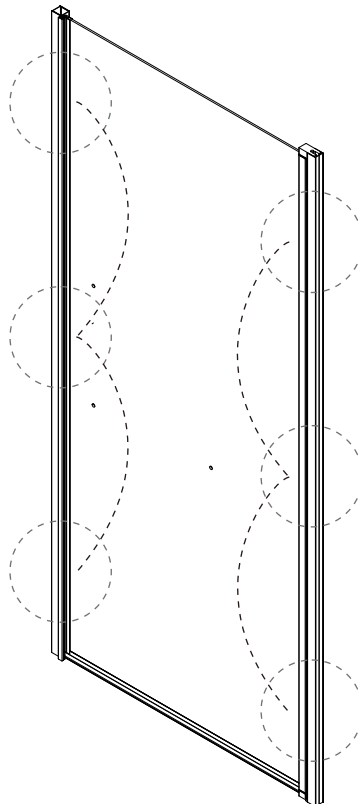
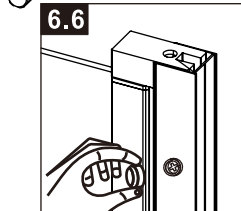
6.4



6.5



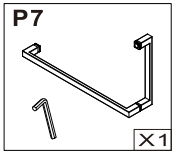
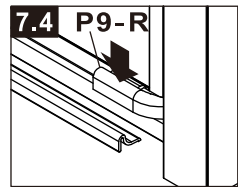
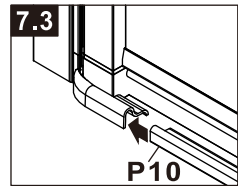
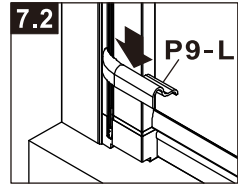
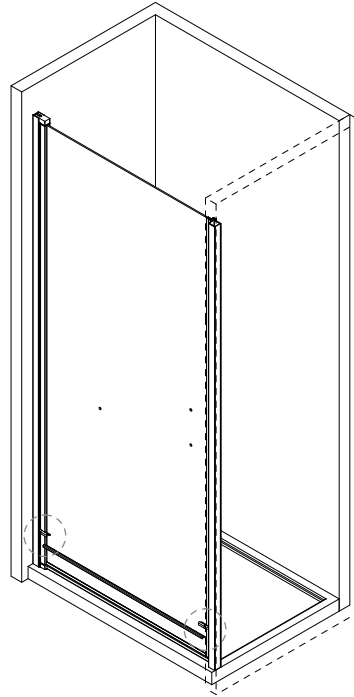
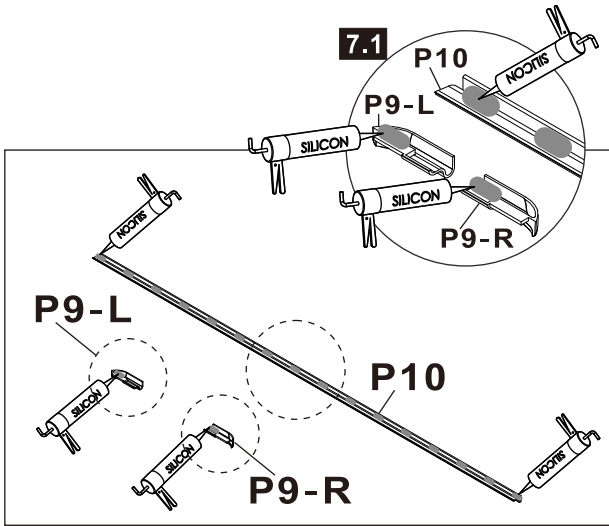
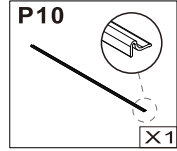
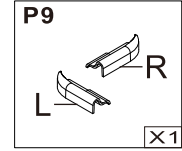
6.6



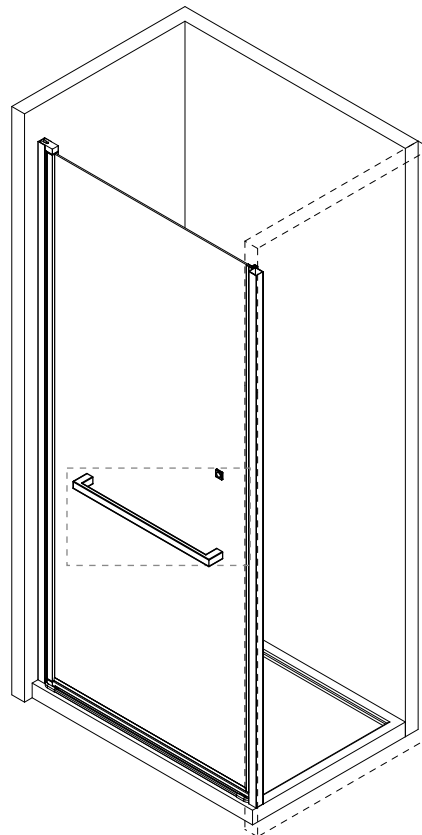
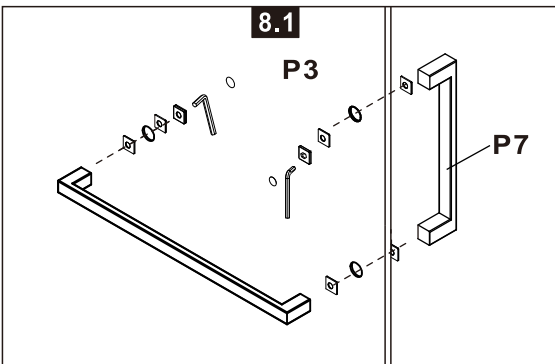
8



7



8





9

