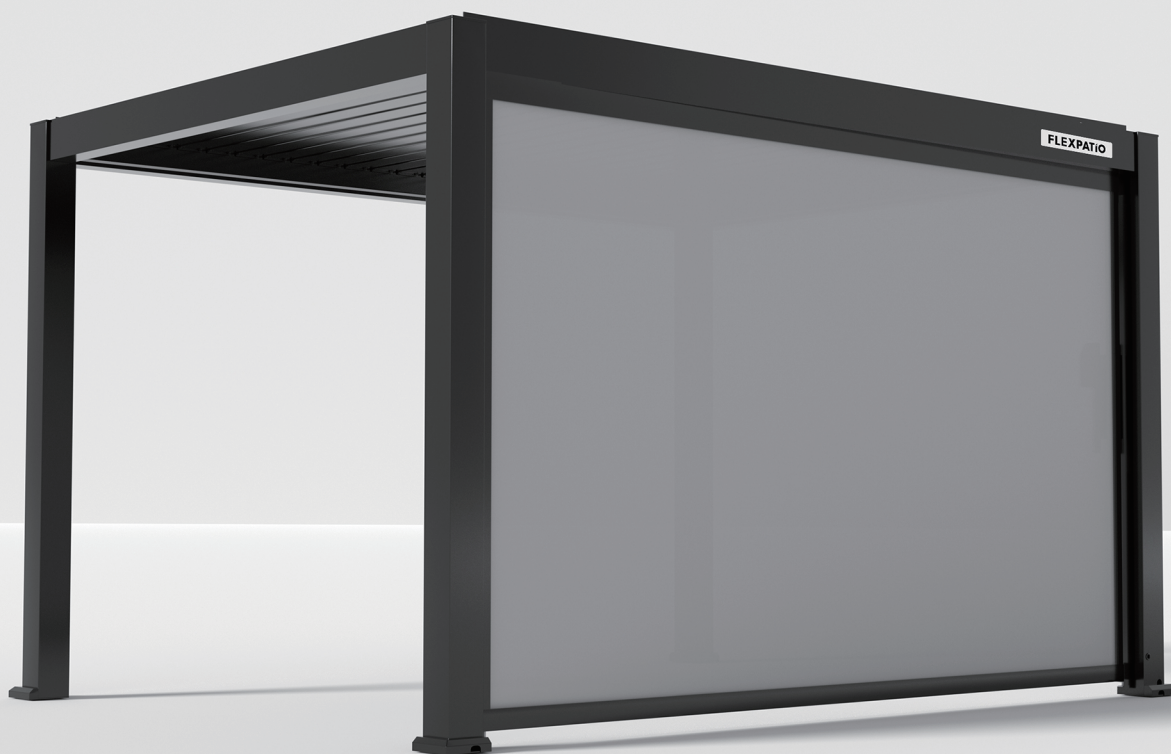




Manuals & Installation Guides

Roller Shades Pergola Wall

10' Side



--The image is a conceptual rendering, not real size--

Email: support@flexpatio.com

Phone: +1 213-456-9168

Website: www.flexpatio.com

Table of Contents

Table of Contents.....	2
Safety Information.....	3
Pre-installation.....	4
Tools Required.....	4
Recommended Tools.....	4
Included Parts.....	5
Installation Instructions.....	6-16
Remote Control Operating Instructions.....	17
Help Center.....	18

Safety Information

Installation qualification requirements

- Must be installed in collaboration with 3-4 or more healthy adults
- Expertise in frame construction and strict adherence to specifications required (local contractor recommended)
- Prohibition of one-person installation work (to prevent the risk of falling)

Pre-installation inspection

- Verify that all parts are intact (Contact support@flexpatio.com for missing or damaged parts)
- Verify tool availability (specialized tools such as power drills)
- Verify local building code requirements (including structural/drainage/electrical standards)

Personal protection standard

- Eye protection: anti-impact goggles (anti-aluminum chip splash)
- Hand protection: industrial-grade cut-resistant gloves (thickness $\geq 2\text{mm}$)
- Respiratory protection: N95 mask

Site safety management

- Establishment of a 2-meter safety separation zone (no children/pets allowed)
- Parts management system implemented (immediate cleaning of floor screws)
- Column bases fully tightened (eliminate tripping risks)

Power tool operation

- Ensure safe and regulated use of power tools
- Monitor tool temperature to avoid overheating (continuous use ≤ 15 minutes)
- Wear insulated gloves

Pergola structural assembly requirements

- Prohibit any structural modifications (maintain original design)
- Double verification of connection tightness (torque values according to manual)
- Link the wires according to the specification of the manual

Extreme weather conditions

- Ice and snow: shutter operation prohibited (locked when temperature $\leq 0^{\circ}\text{C}$)
- Strong wind environment: Do not use if the maximum wind limit is exceeded
- Storm conditions: exceeding the maximum drainage slope is a cautionary use

Special risk avoidance

Louvers operation ban:

- Prohibition of hand intervention in the mechanical gap (keep a safety distance of 15 cm)
- Prohibition of roof loads exceeding the maximum load

Pre-installation

PLANNING INSTALLATION

To prevent damage, place all parts on a soft surface during assembly.

Tools required for assembly (not included): Allen wrench (included), hammer, screwdriver, stepladder, level and other safety items such as gloves, safety goggles and hardhat.

NOTE | Tools and protective articles below are not provided.

TOOLS REQUIRED



Safety goggles



Gloves



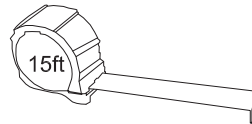
Hardhat



Level



8-Foot Ladder
(Qty.2 recommended)

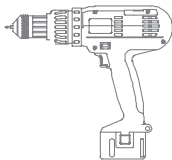


15-Foot
Tape measure

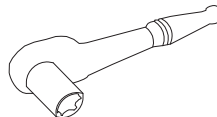


3 People

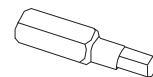
RECOMMENDED TOOLS



Cordless drill or driver
with 4mm Allen head bit



Socket wrench with
10mm and 14mm socket

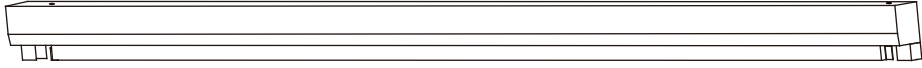

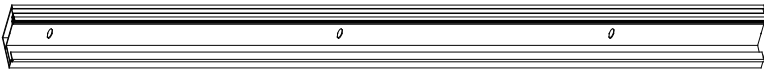




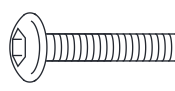
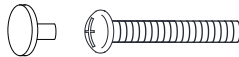




3mm / 4mm / 5mm/6mm
Allen or Hex bit



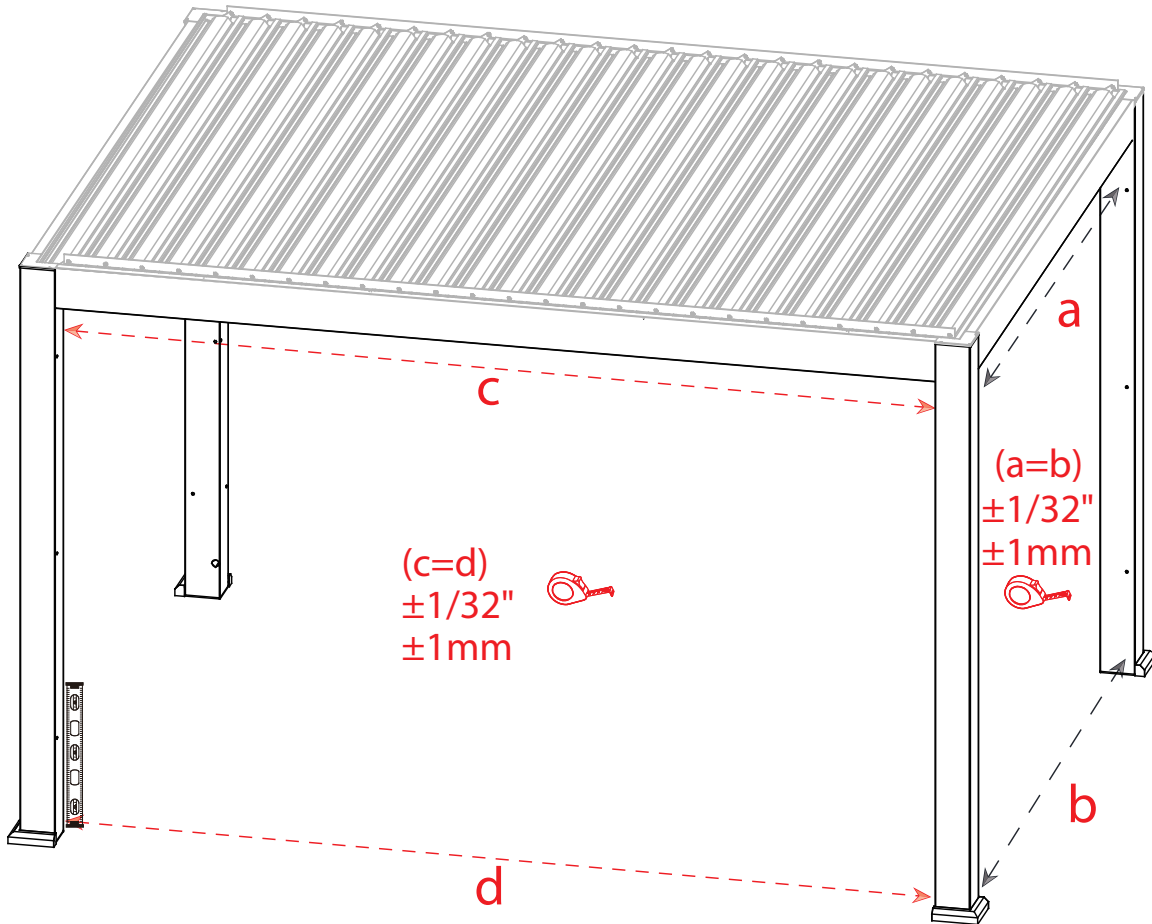
Driver bit extension
(4-inch recommended)

Included Parts

PART	QTY	DIAGRAM
Roller Shutter Q1	1	
Track R1	1	
Track R2	1	
Track R3	2	
Sliding Groove R4	2	
Connecting Line M1	2	 3m
Connecting Line M2	1	 4m
Bolt RR	6	 M6*25mm
Bolt SS	6	 M4*24mm
Allen Wrench MM	1	 4#
Allen Wrench NN	1	 4#

Installation Instructions

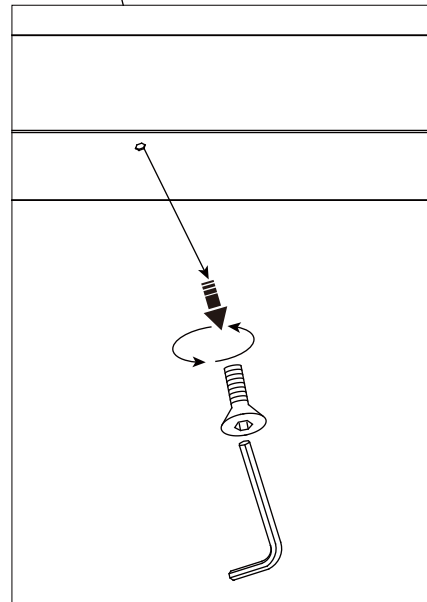
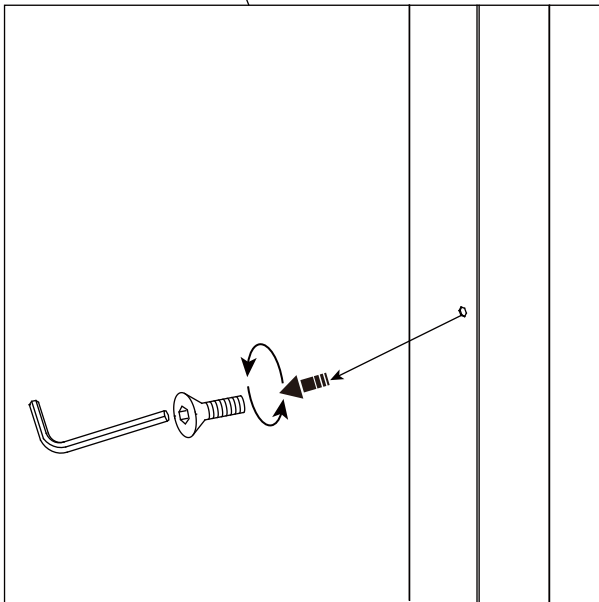
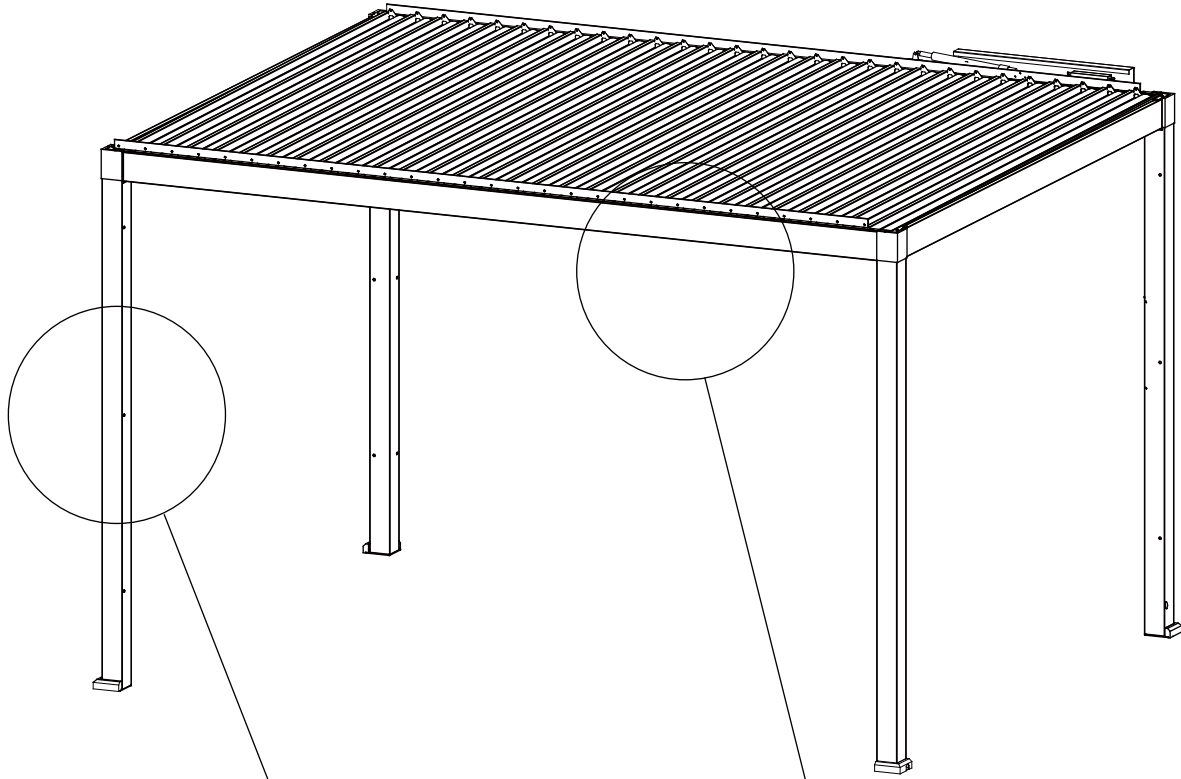
1 Preparations before installation



Please note: Before assembling the Roller Shades Pergola Wall, the spacing between the posts must be measured, a and b, c and d should be parallel to each other, and the tolerance should be controlled within $\pm 1\text{mm}$. This is to ensure that the products are easy to handle when assembled and that no other problems arise.

Installation Instructions

2 Remove the bolts

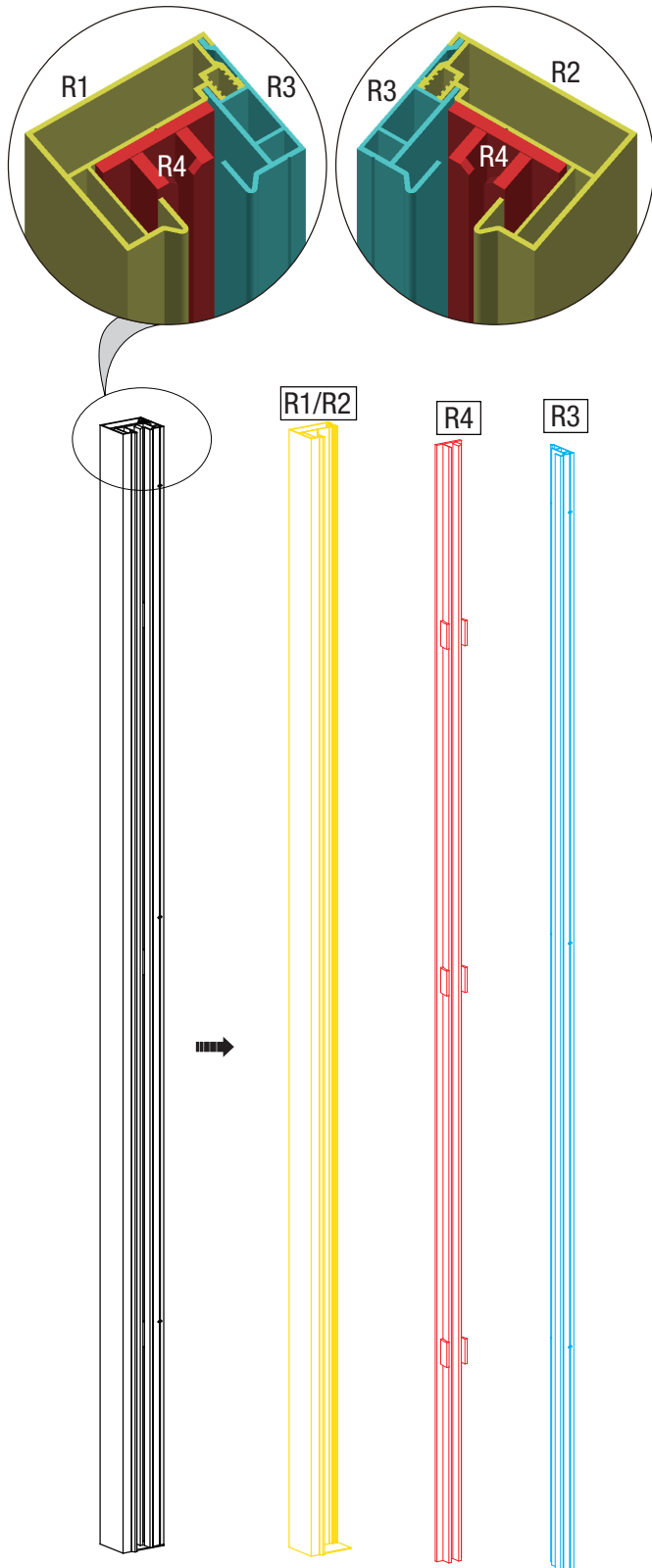


Unscrew the pre-installed bolts at the location where you want to install.

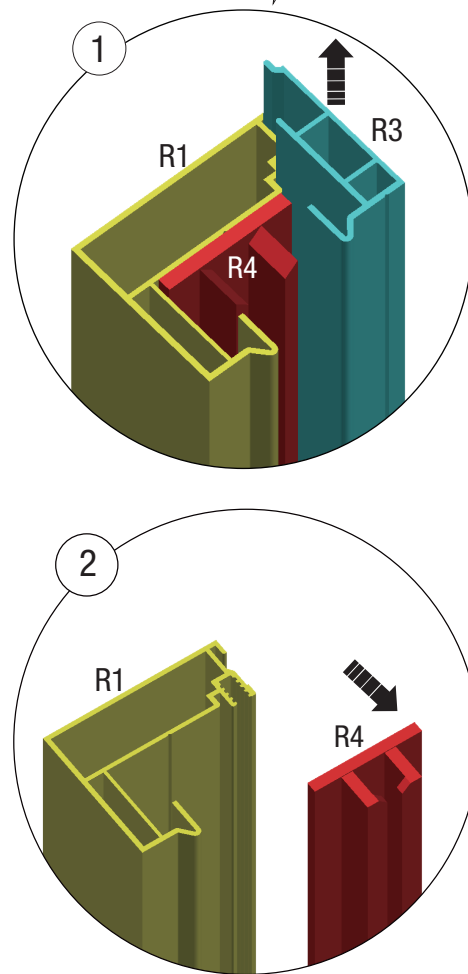
Installation Instructions

3 Preparations before installation

Colors are for illustration purposes only to help distinguish the parts:

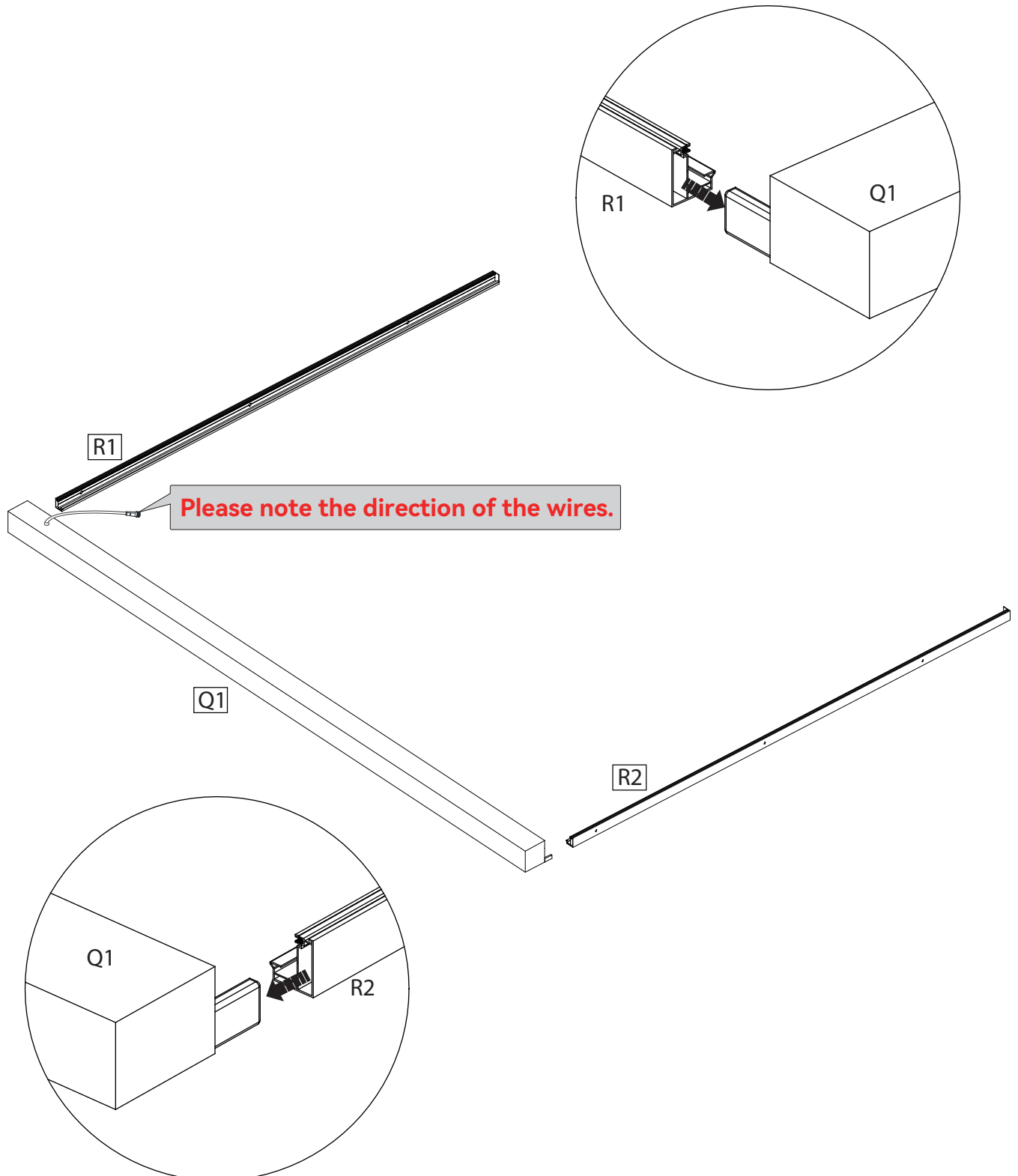


Before installing the screen, please separate the track components as shown below.



Installation Instructions

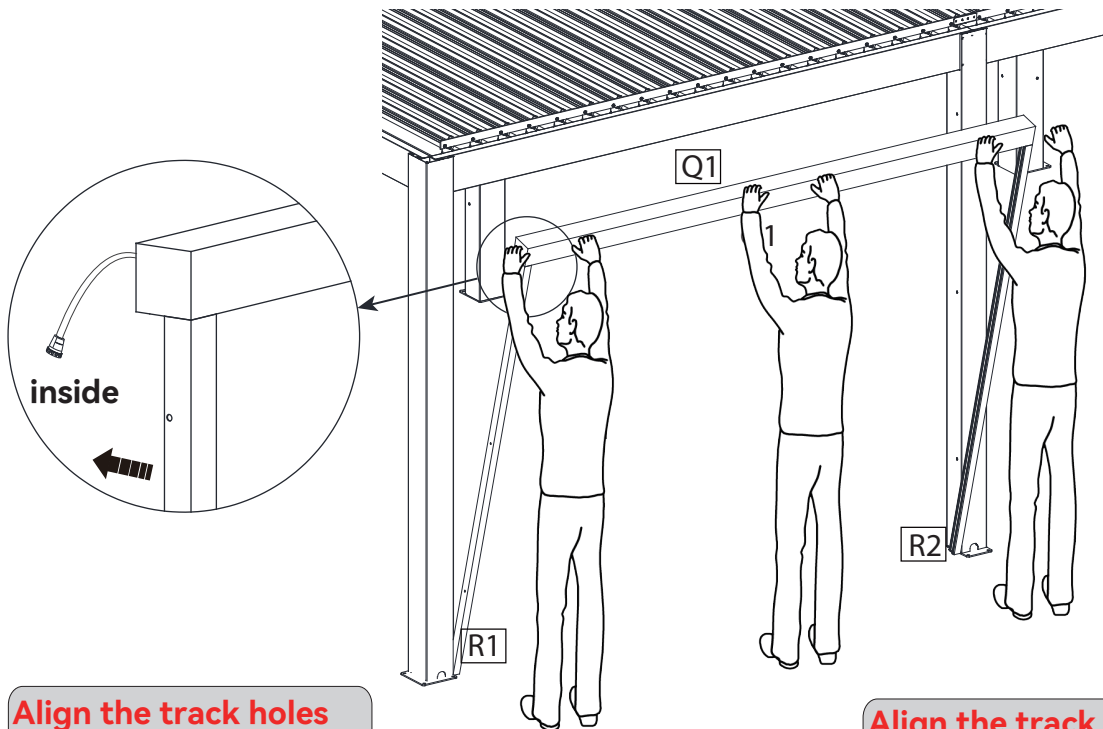
4 Installing the Track and Roller Shades



Installation Instructions

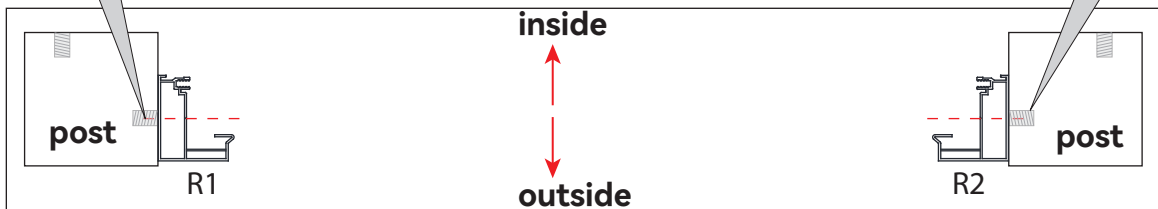
5 Installing the Beam

RR		x6
----	---	----

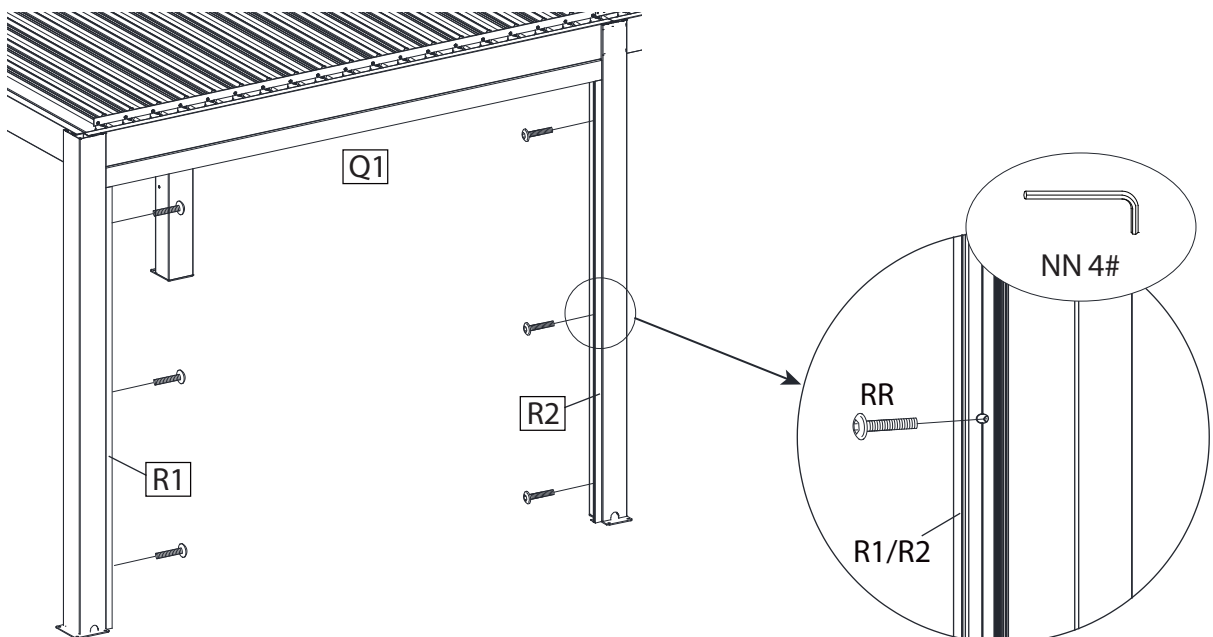


Align the track holes with holes in the posts.

Align the track holes with holes in the posts.

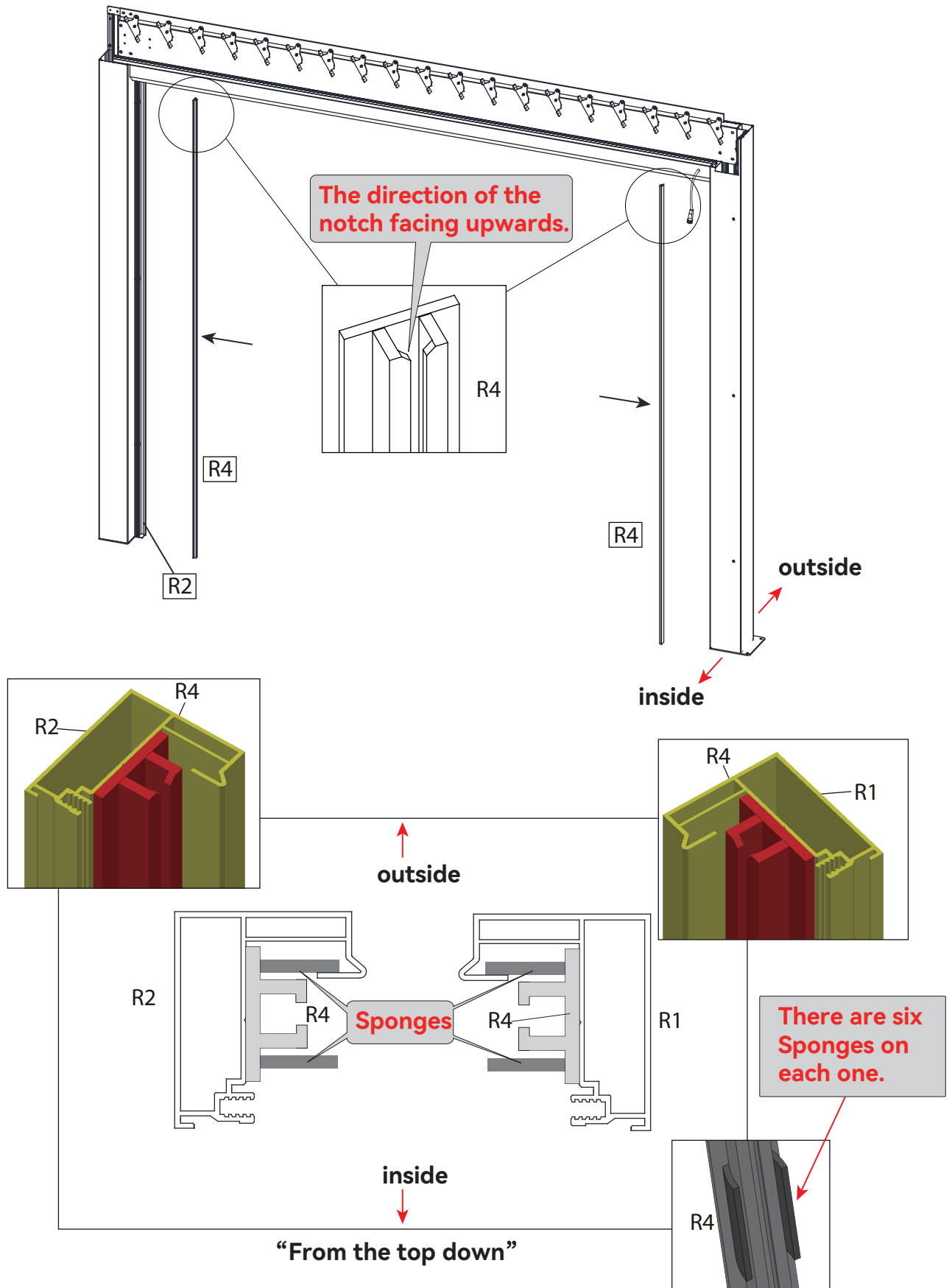


“From the top down”




Installation Instructions

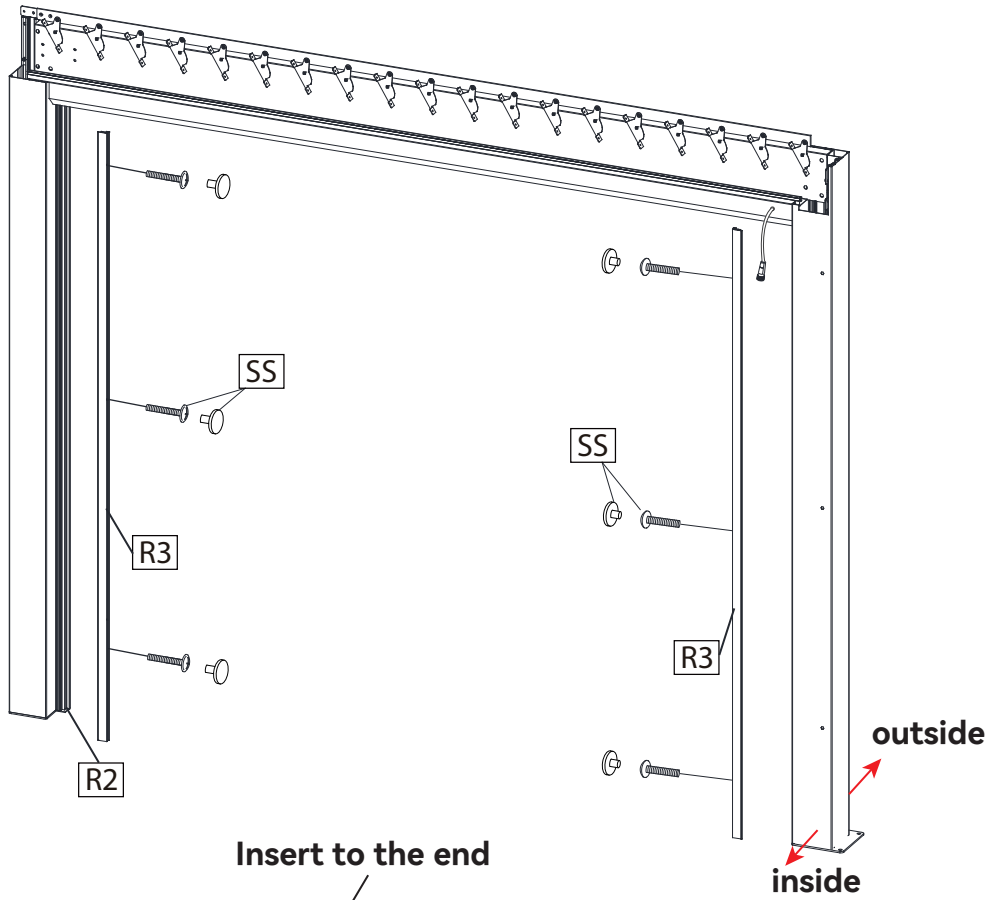
6 Installing the Sliding Grooves



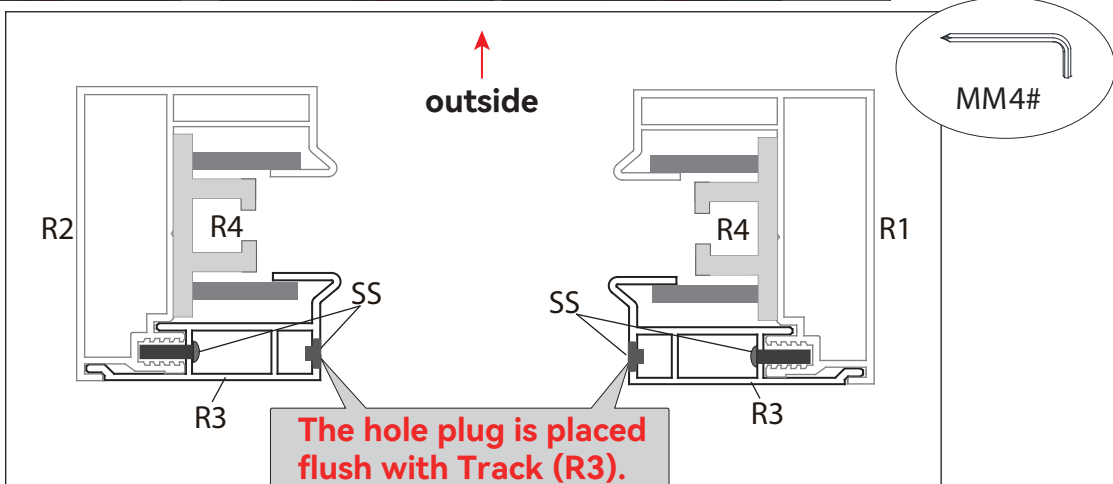
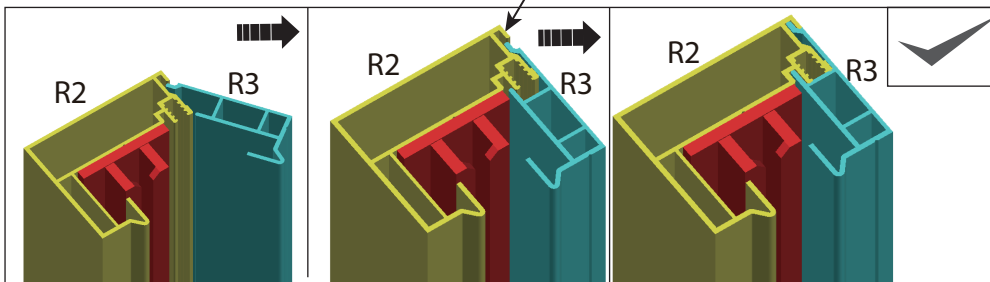
Installation Instructions

7 Installing the Track

SS		x6
----	---	----



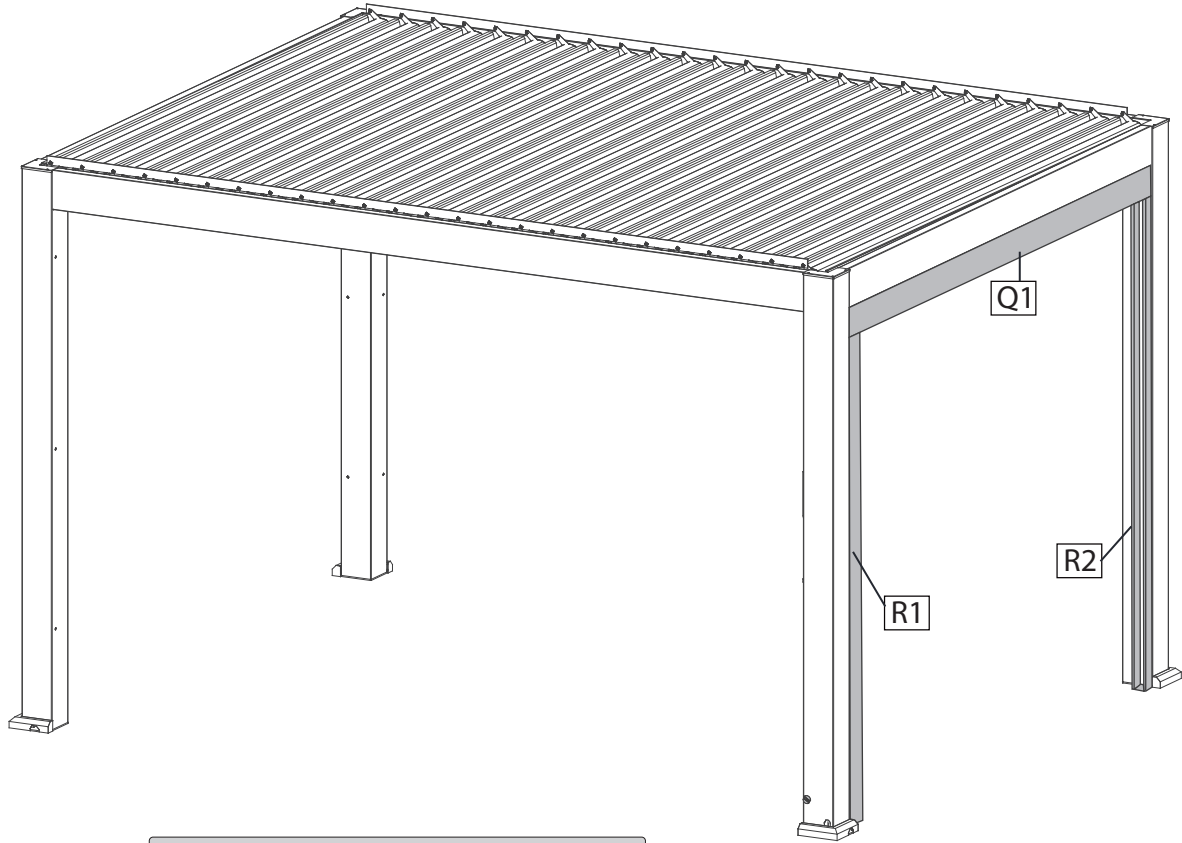
Insert to the end



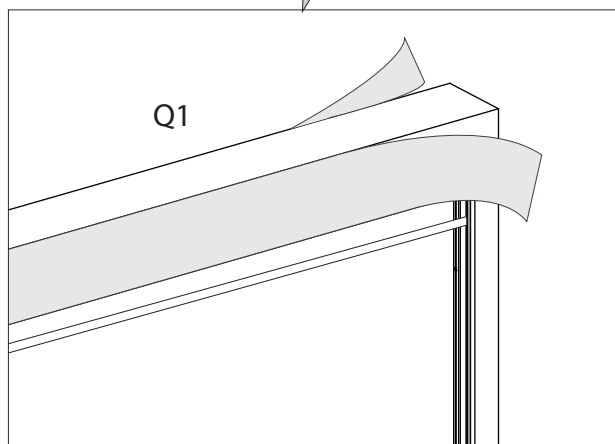
“From the top down”

Installation Instructions

8 Remove the protective film

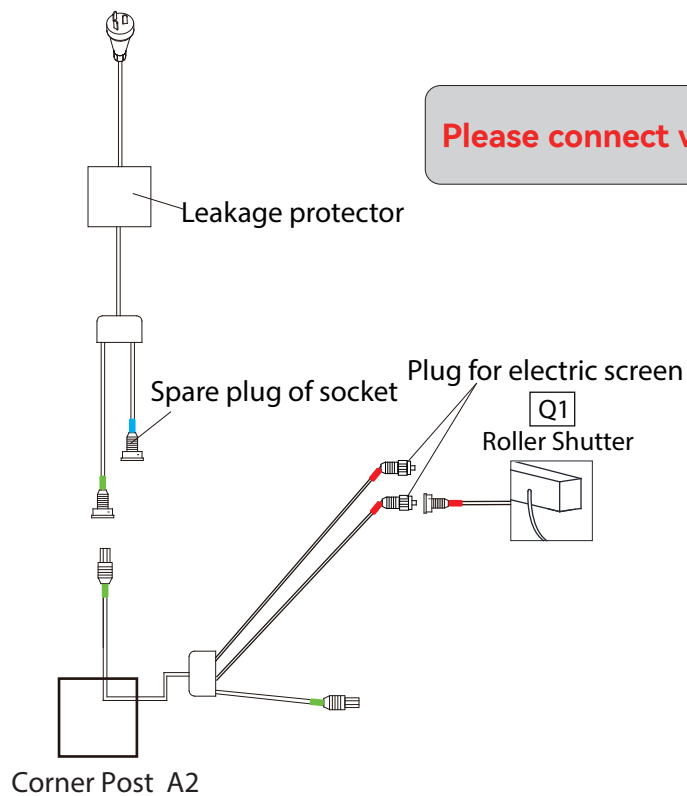
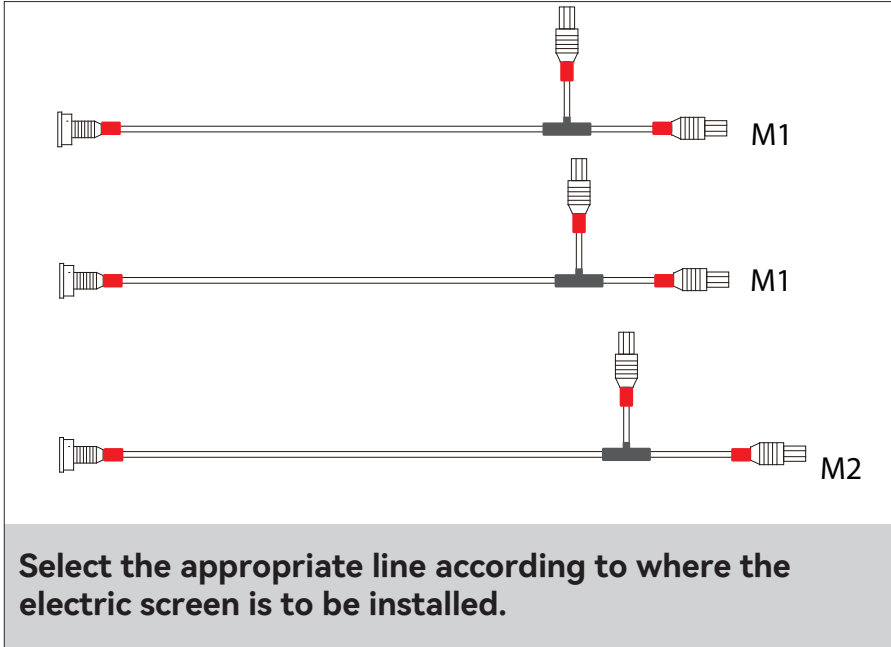


Remove the exterior film after installation.



Installation Instructions

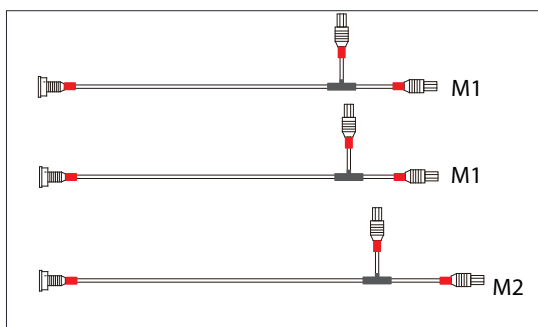
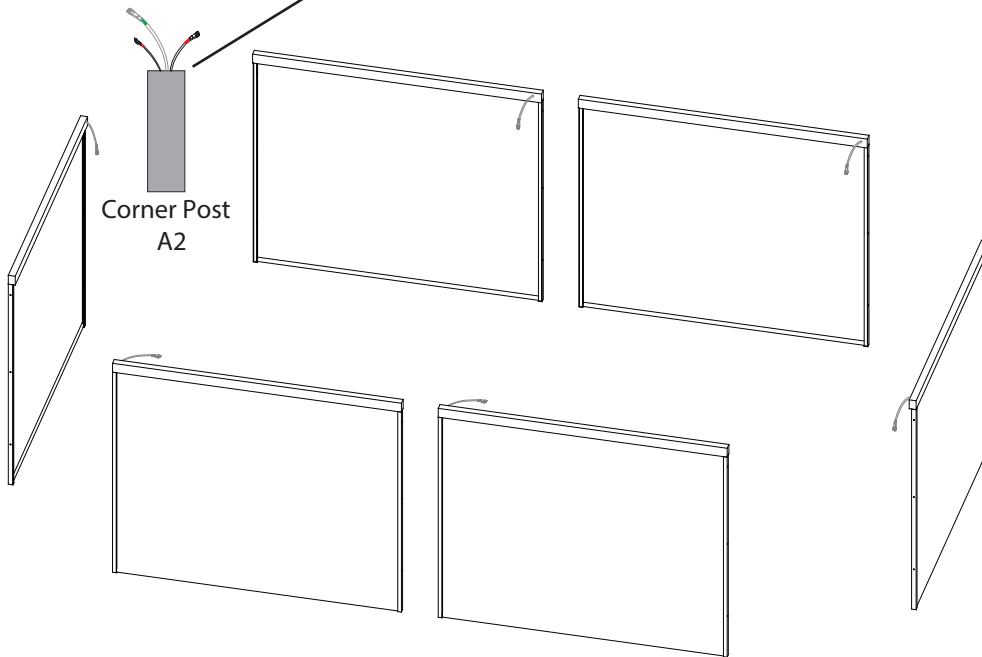
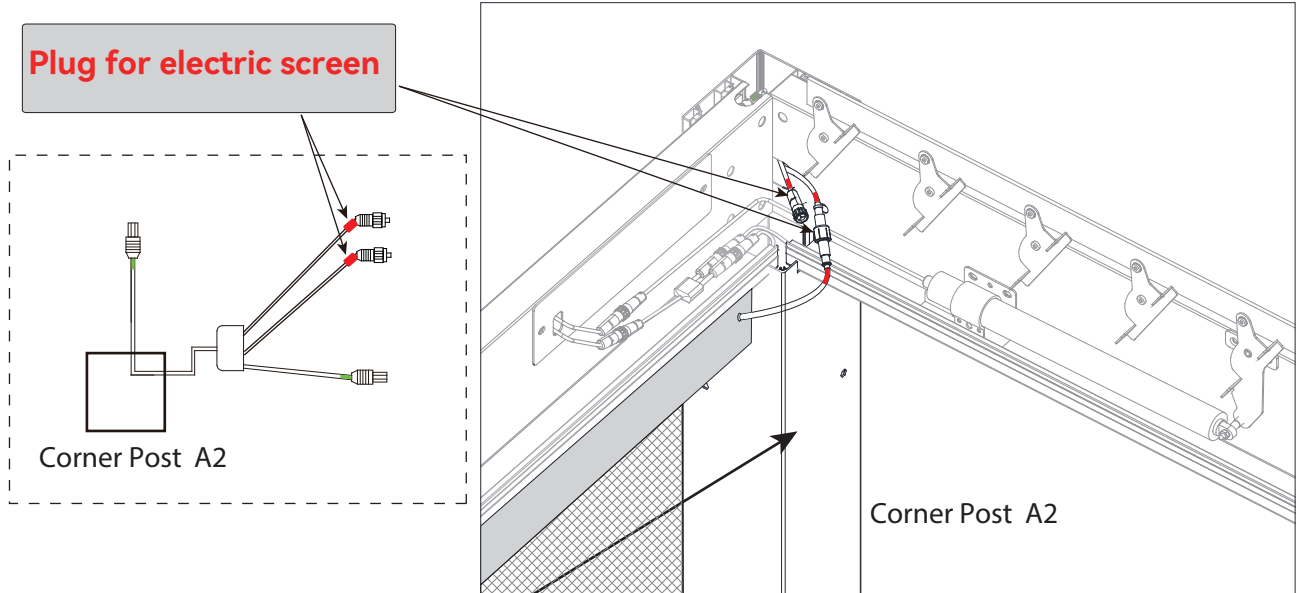
9 Layout of line



Please connect wires of the same color.

Installation Instructions

10 Layout diagram of the shade

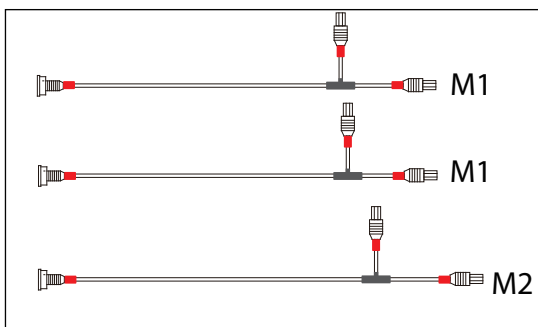
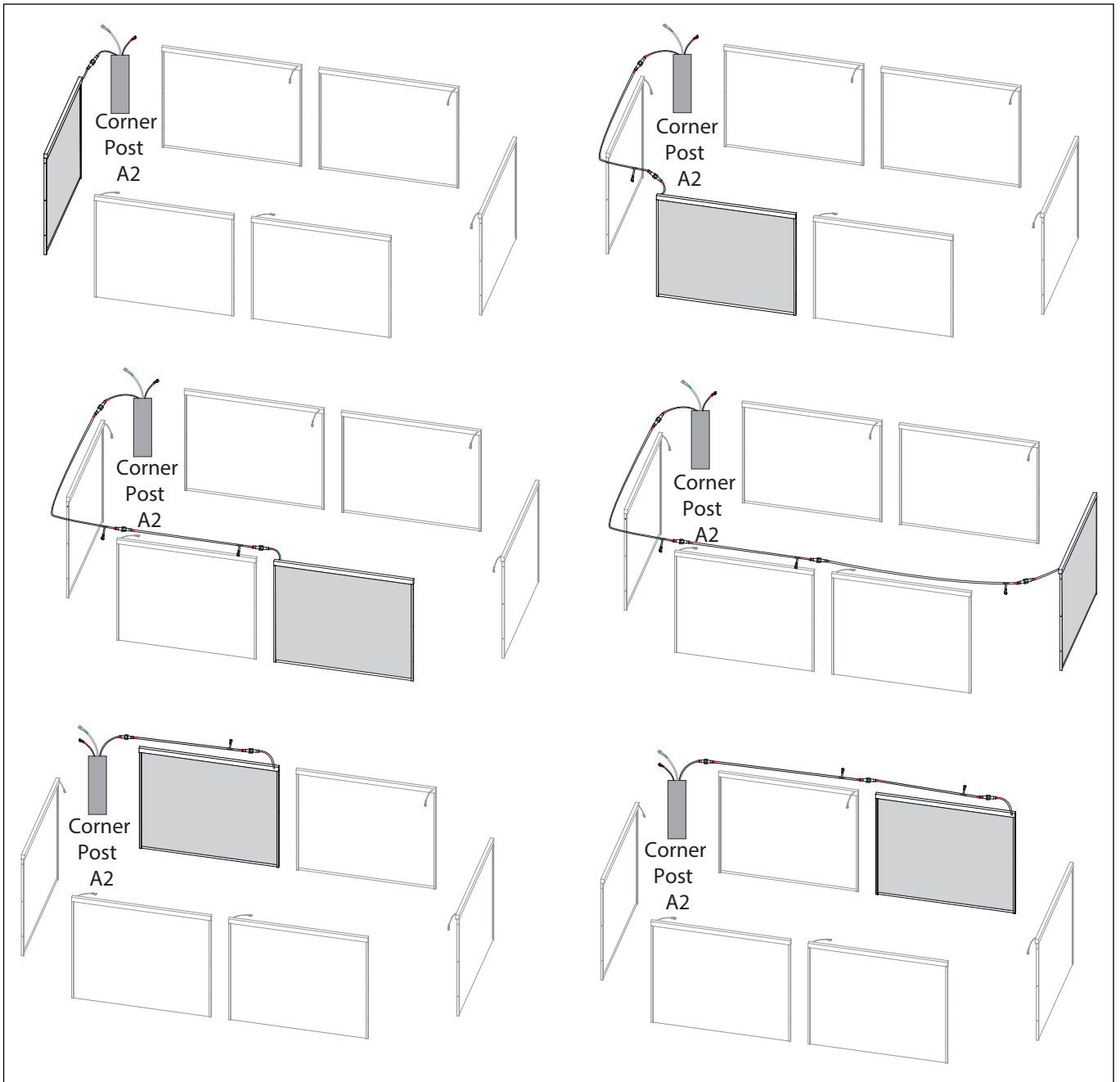


Choose the line length according to the length of the distance.

Spare wires

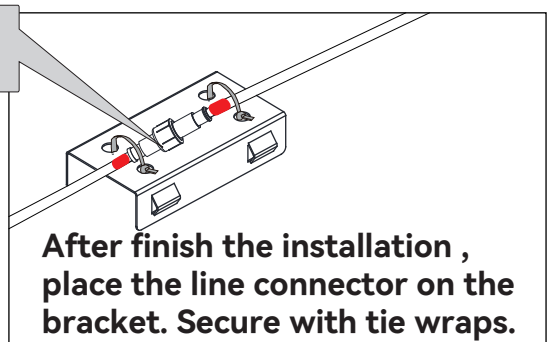
Installation Instructions

11 Installation of single shade



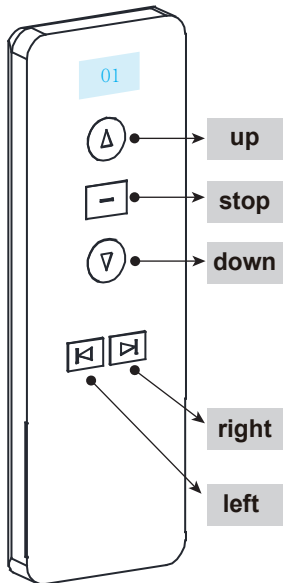
The joint must be tightened.

Spare wires



Remote Control Operating Instructions

Remote Control Pairing Instructions



Note: When pairing the electric screen, make sure to turn off the main power supply beforehand. If multiple electric screens require pairing, ensure that only one screen is connected to the power supply at a time. All other screens must be temporarily powered off to prevent cross-pairing or signal interference.

(After completing the first screen, turn off the power before pairing the second screen. No other screens should be connected to the power supply until the second screen is paired. If an error occurs, please restart the process.)

The 1st electric screen

Channel **03**: Turn off the power, press the button “◀▶” to tune to “03”, then long press the button “▲”, and at the same time turn on the main power, when the electric screen starts to move, the pairing is complete.

The 2nd electric screen

Channel **04**: (Repeat the above operations)

The 3rd electric screen

Channel **05**: (Repeat the above operations)

The 4th electric screen

Channel **06**: (Repeat the above operations)

The 5th electric screen

Channel **07**: (Repeat the above operations)

The 6th electric screen

Channel **08**: (Repeat the above operations)

Remote Control Operating Instructions

To raise the screen

Press the button “◀▶”, switch to the channel number corresponding to the roller shade, then press the button “▲” to raise the shade.

To stop the screen

Press the button “◀▶”, switch to the channel number corresponding to the roller shade, then press the button “—” to stop the shade.

To lower the screen

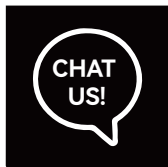
Press the button “◀▶”, switch to the channel number corresponding to the roller shade, then press the button “▼” to lower the shade.

When the roller shutter stops due to an obstruction:

The roller shutter's anti-collision mechanism will be activated, then wait for 5s to operate the shade up or down.

Help Center

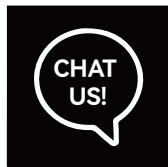
Have questions about your product? We are always here to help.



Chat Support



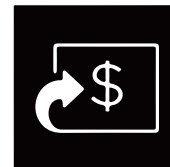
Product Inquiries



Order FAQ



Product Assembly



Returns & Refunds

10 Years Warranty & Free Return Policy Within 100 Days

10 Yearrs Warranty

We offer a limited warranty on the components of the pergola. The main structural frame is covered for up to 10 years. Auxiliary components, such as the opening and closing mechanisms, are covered for up to 7 years. The warranty period begins once the product is installed and registered.

Returns and Exchanges Within 100 Days

We offer free replacements for any damaged, defective, missing, or quality-compromised parts or products upon receipt. Additionally, you can enjoy our pergola with confidence, backed by a 100-day return and exchange policy.

Return Shipping Costs

Return shipping costs will depend on the specific reason for the return.

FlexPatio covers return shipping costs in the following cases:

- Wrong items delivered
- Products with damage or defects not caused by transportation
- Missing or incorrect accessories
- Quality issues that require replacement parts

Customers are responsible for return shipping costs in the following cases:

- Returning the product due to a change of mind
- Unsatisfied after the 100-day trial period
- Canceling the order while the item is already in transit

Return Process

How to Return:

• To initiate a return, please contact us via email, phone, or message. Once we receive your request, we will confirm it and provide detailed return instructions.

Return Steps:

- Contact us to receive return instructions. (Please do not return items to the shipping address; we will provide the correct return address.)
- Fill out the return form with your order number, reason for return, and any other relevant details.
- Securely pack the item in its original packaging and keep the original labels intact
- Ship the item back using the return label we provide (if applicable).
- Once we receive and inspect the returned item, we will process your refund within 24 hours.

Reach Us At

📧 **Email:** support@flexpatio.com

☎ **Phone:** +1 213-456-9168

🌐 **Website:** www.flexpatio.com