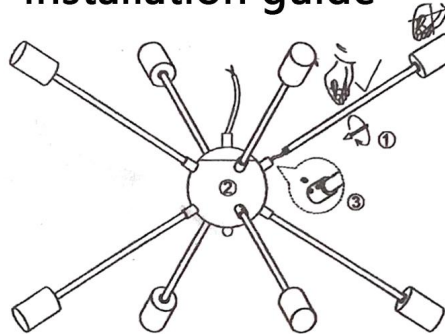


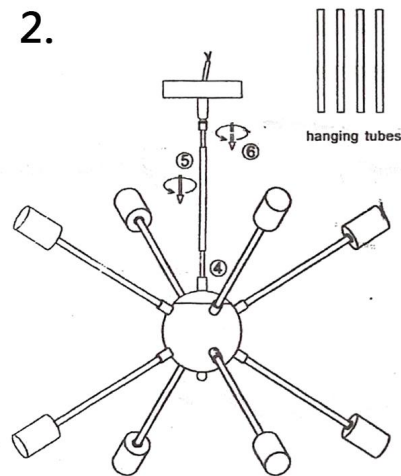
installation guide

1.



1. Turn and fix the tube ① on the ball ②. lock it with screw ③
(note:pls hold the tube not the cup by your hand when install the tubes)

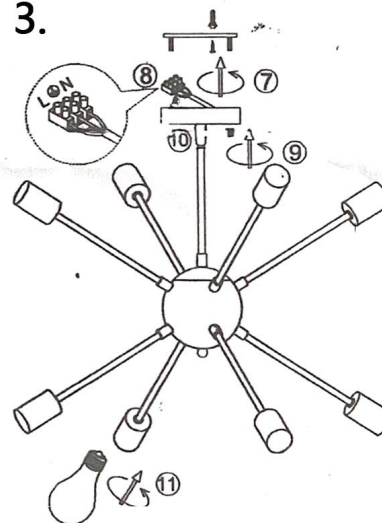
2.



2, let the wire go through the hanging tube ⑤ and the base ⑥, turn to fasten the hanging tube ⑤ on the ball and the base

(you can connect more hanging tubes to reach the height request)

3.



3, install the plate on the ceiling with expansion tubes and screws ⑦

4, connect the wire to your home line like ④

5, install the fixture to the plate with nut ⑧ (can adjust the light fixture with movable joint ⑨)

6, install the bulbs

Please read carefully before installation!!!

Note : Please make sure that the electricity is powered off during installation !

Only a professional electrician should install this kind of product !