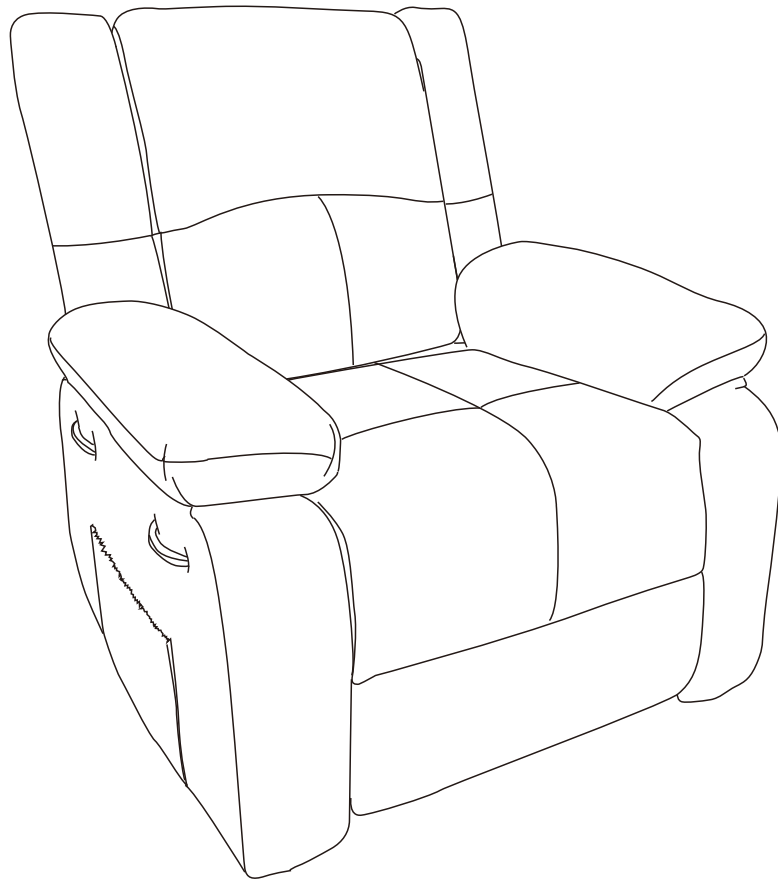


# Recliner Chair



receiving the package. If you have any questions or don't understand something, feel free to contact us. We hope the product brings you joy.

# Recliner Assembly Instructions

Estimated Assembly  
Time in Minutes



<15



<45



60+

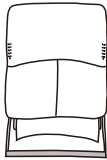
Your recliner comes packaged in one box.

**DO NOT use any sharp objects to open plastic wrapped components as damage to product or components may result.**

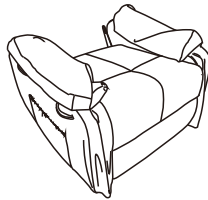
Carefully remove all of the components from the packaging and set aside for assembly. Assemble on a soft surface to prevent scratching the finish.

## Parts List

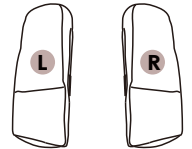
**A** 1x Back



**C** 1x Seat



**D** 2x Back Wings



**B** 2x Arm Pads

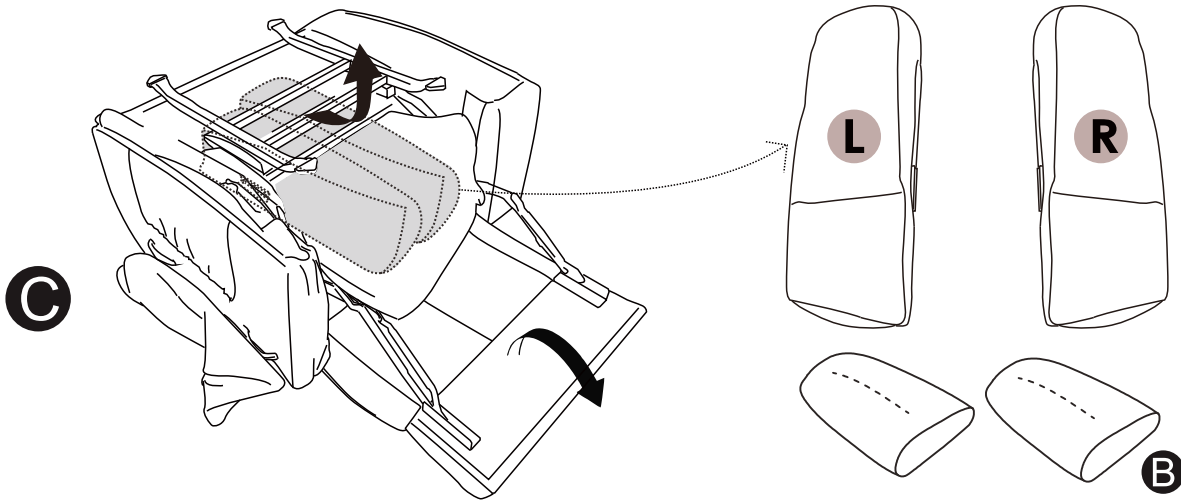


**E** 1x Spring Coil Cushion



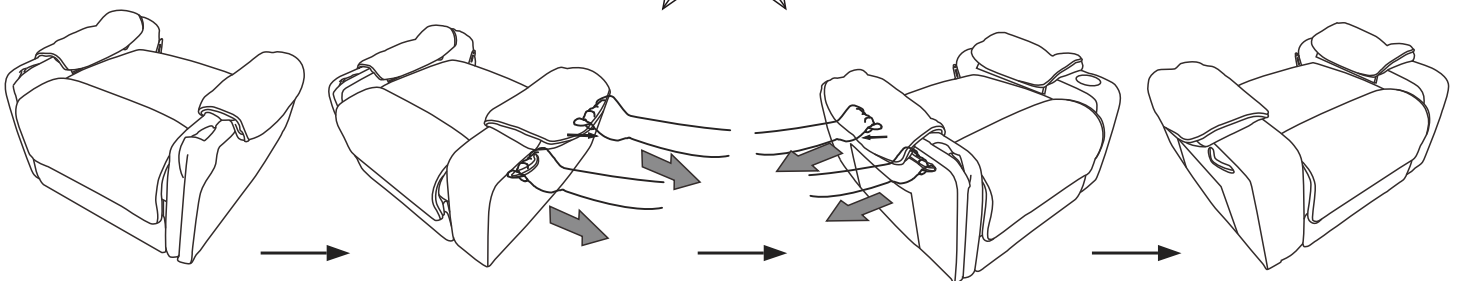
## Assembly

Step 1



Step 2

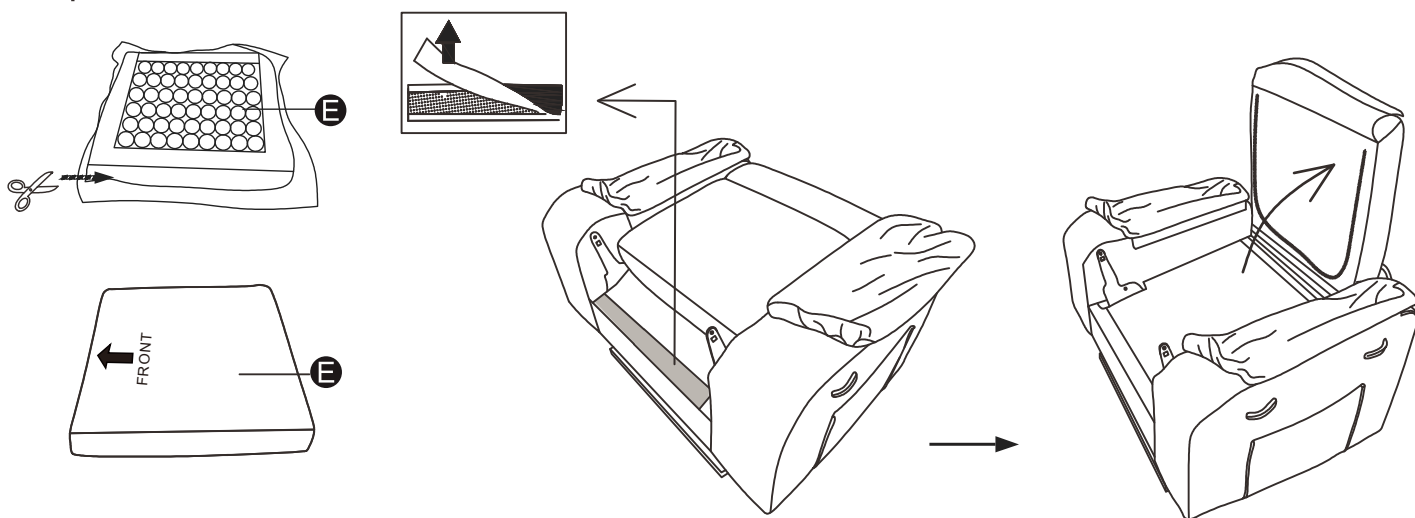
Pull hard



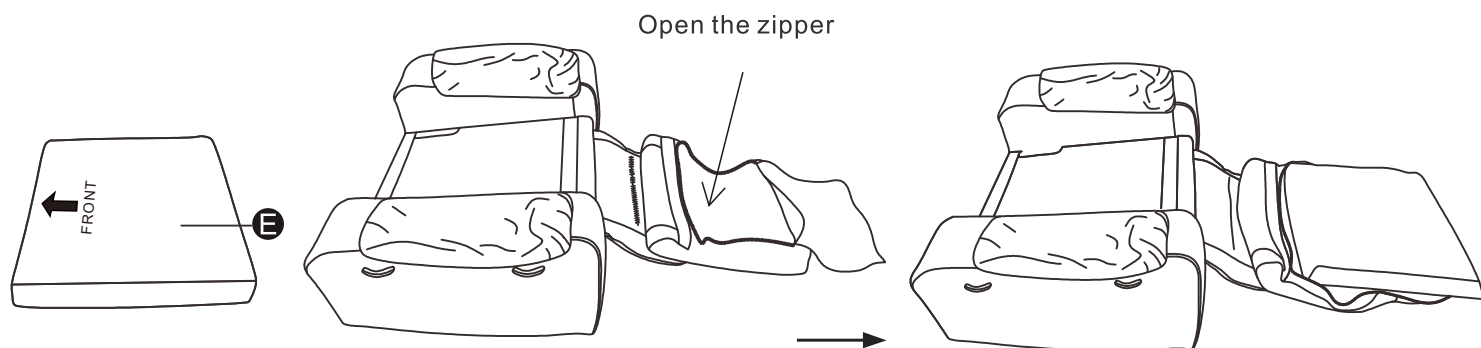
Hold the handle of the arm and pull hard to make it stretch out.

# Assembly

## Step 3

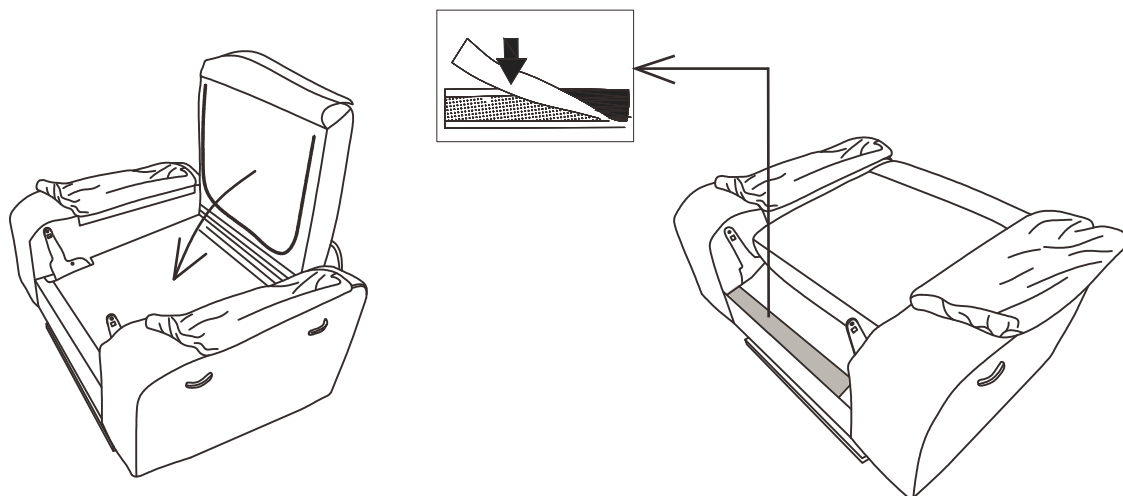


## Step 4



Put spring coil pad inside of the seat cushion cover and zipped.

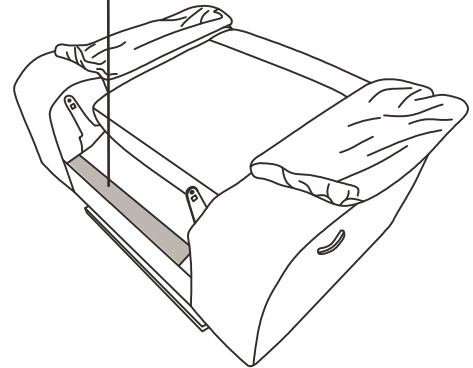
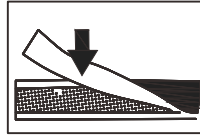
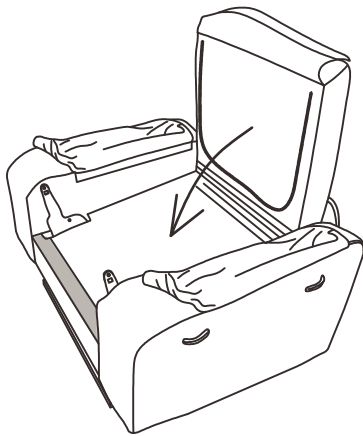
## Step 5



Then put the whole seat cushion on the center of seat base correctly and tighten the velcro.

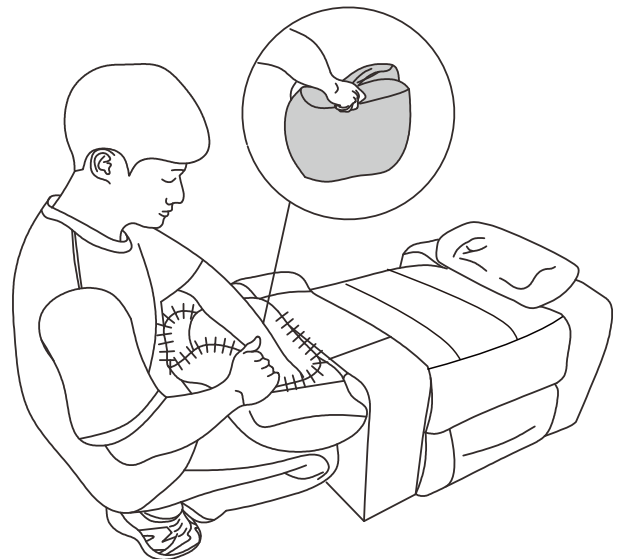
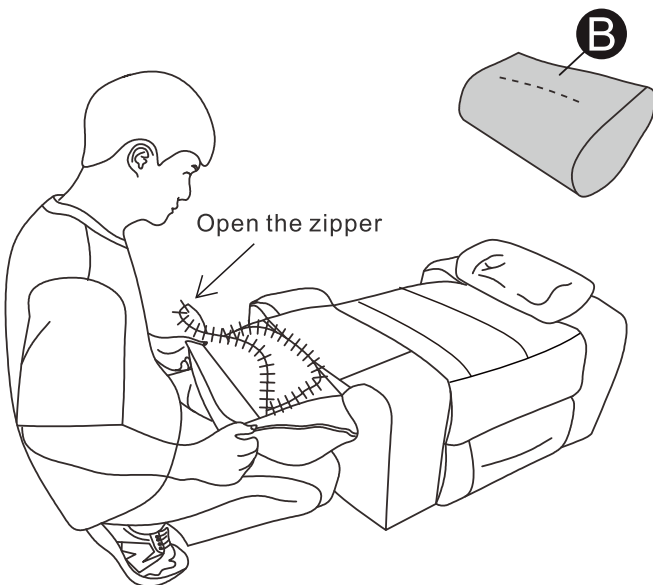
# Assembly

Step 6

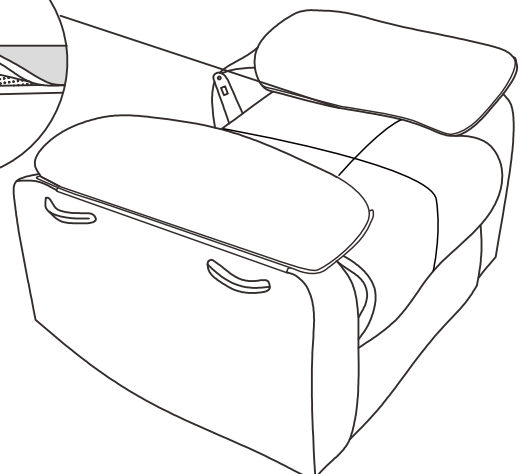
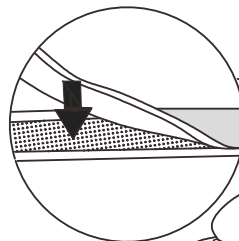
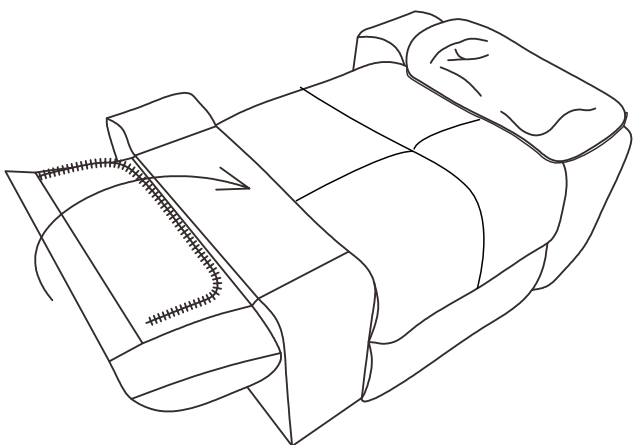


Then put the whole seat cushion on the center of seat base correctly and tighten the velcro.

Step 7

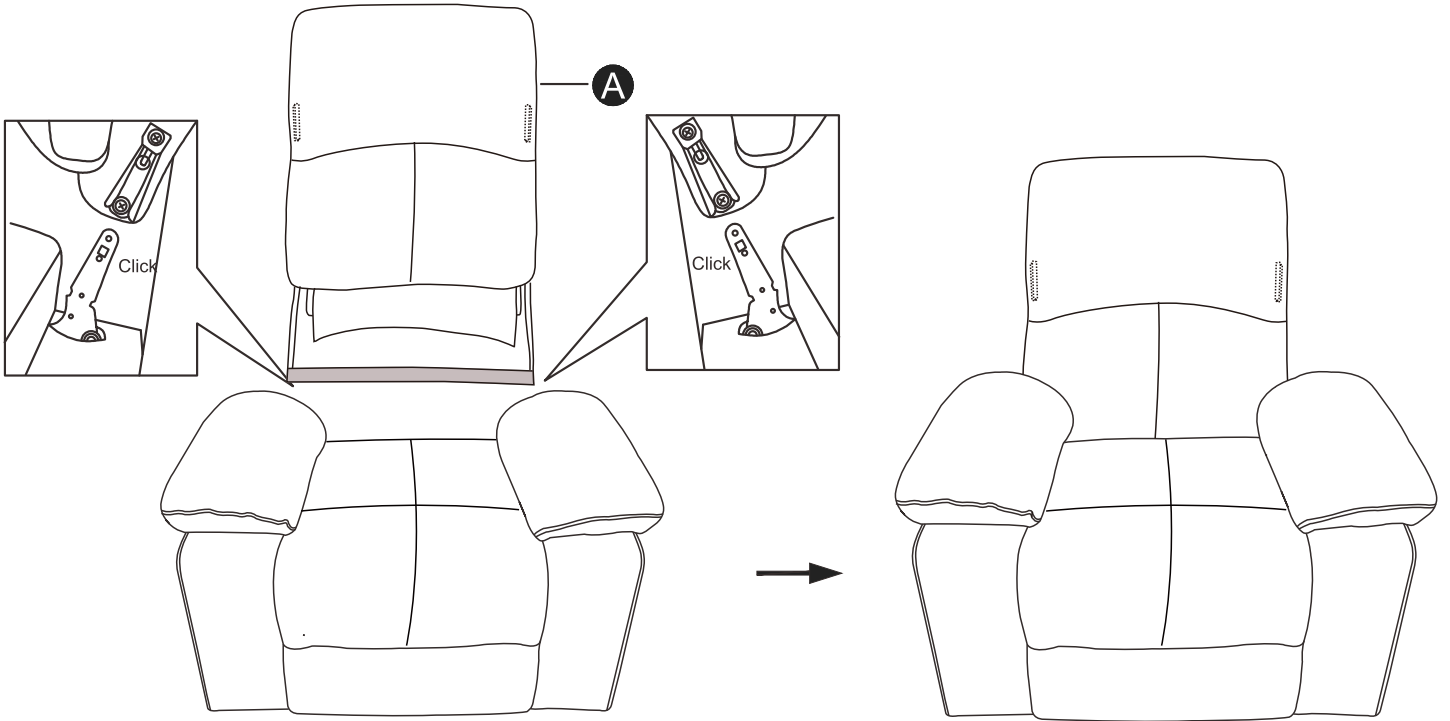


Step 8

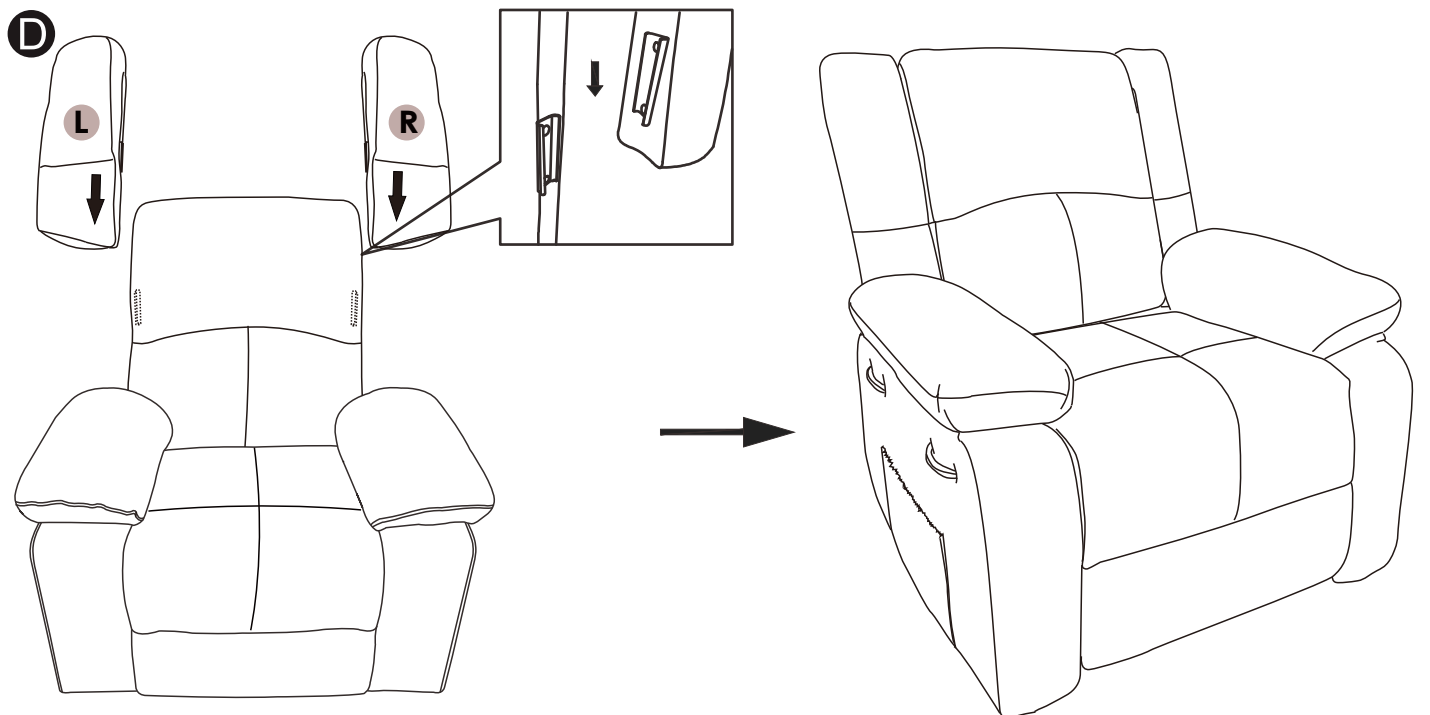


# Assembly

## Step 9

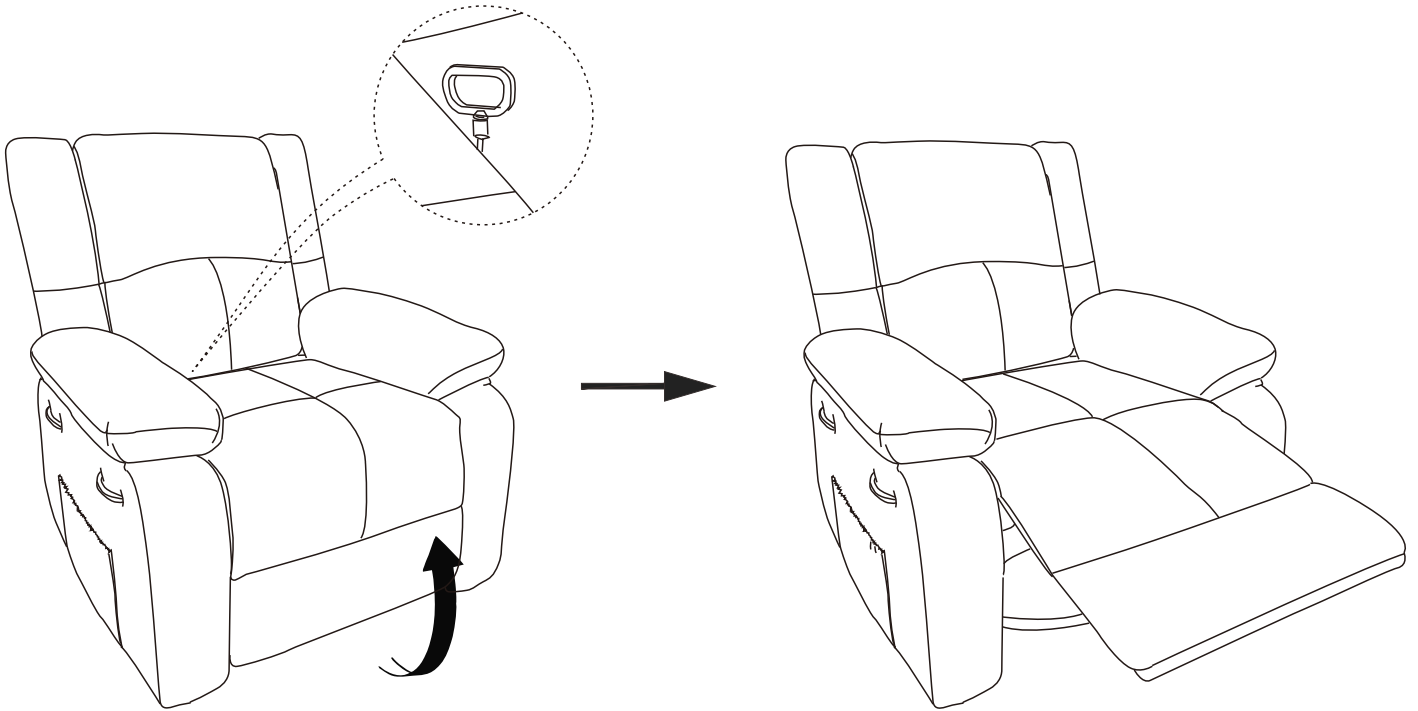


## Step 10



# Assembly

## Step 11



## Step 12

