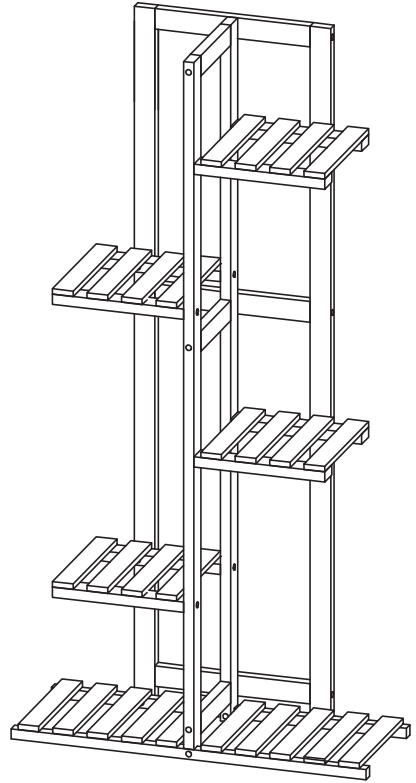
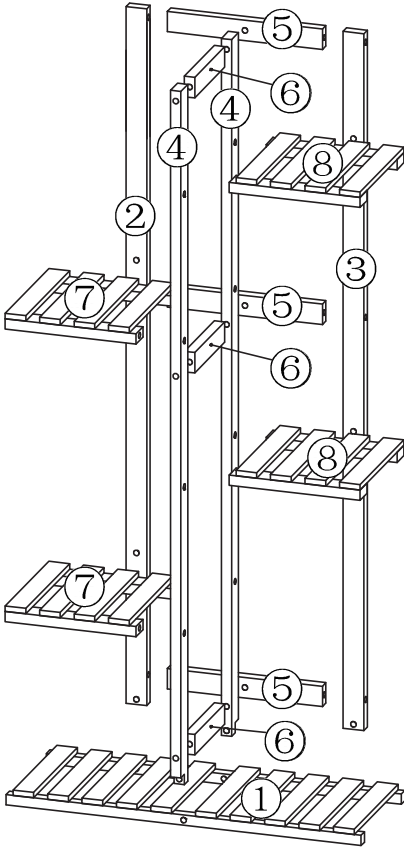







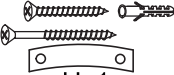


## USER'S MANUAL

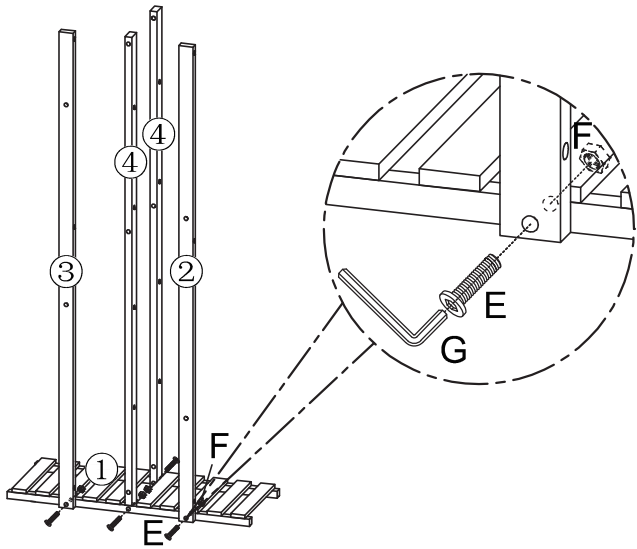
---

**Plant Stand  
HY000338**

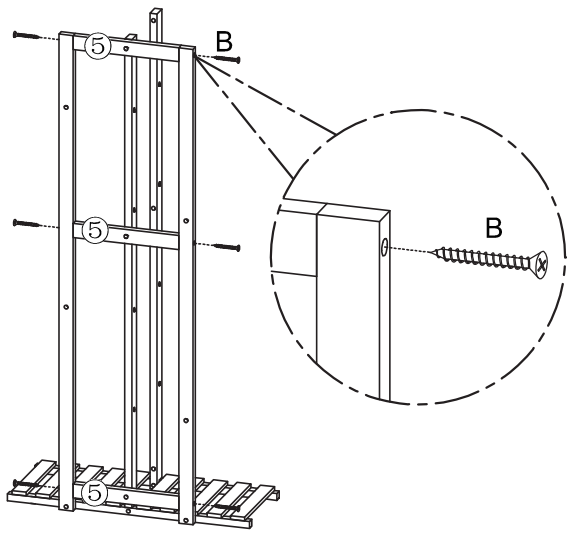


 A(60mm)x3	 B(50mm)x9	 C(40mm)x8	 D(53mm)x4
 E(38mm)x4	 Fx8	 Gx1	 Hx1

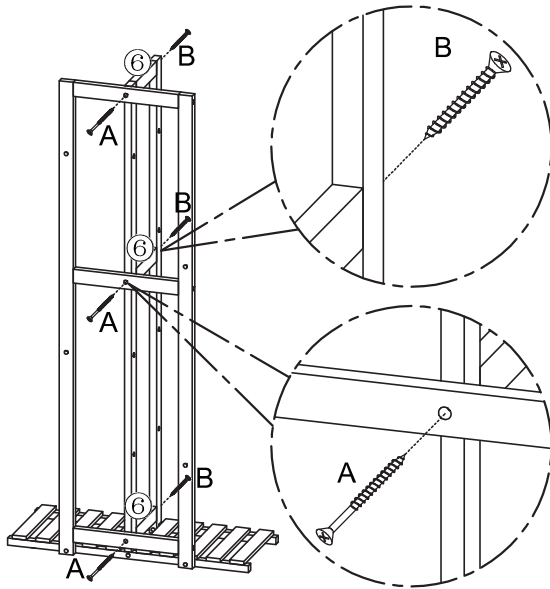
1



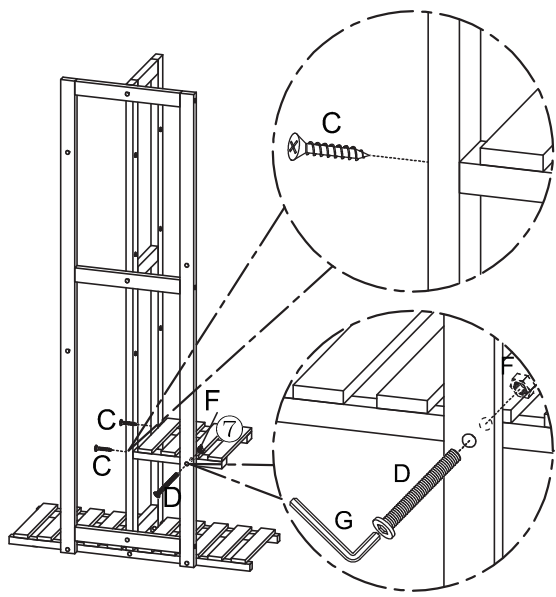
2



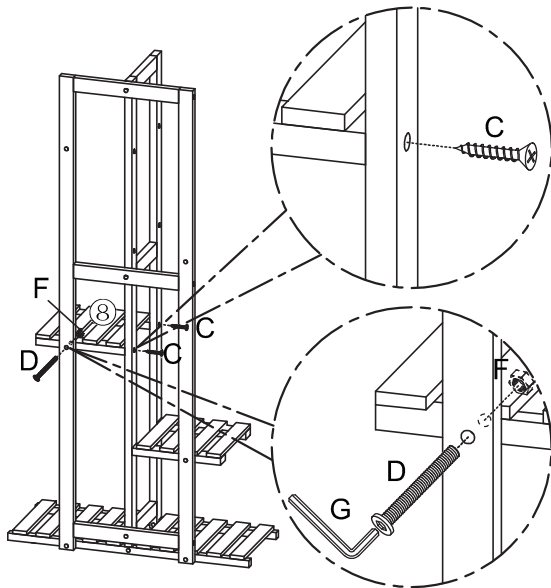
**3**



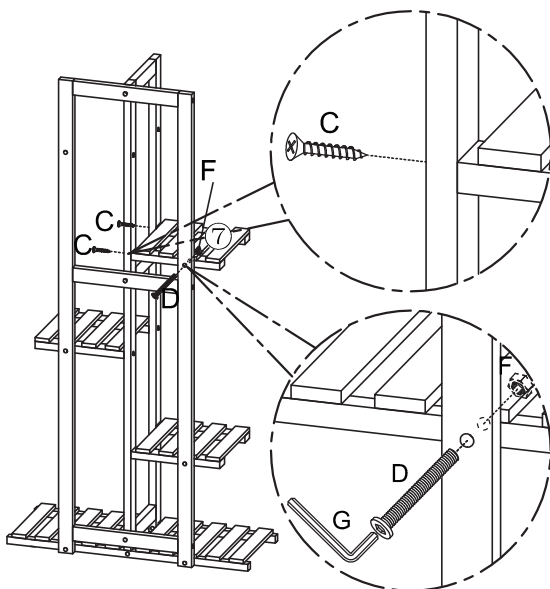
**4**



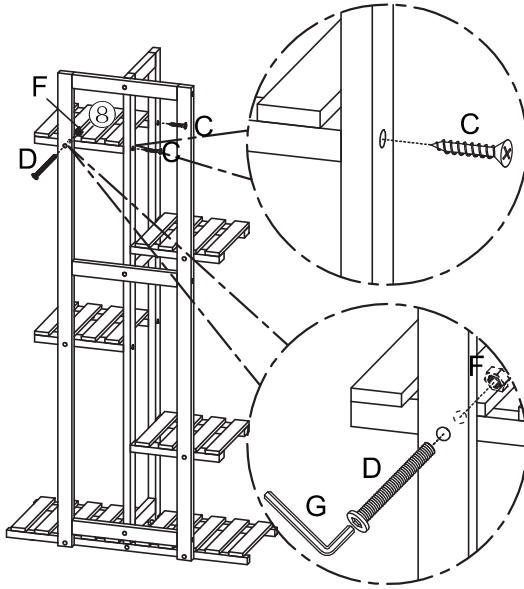
**5**



**6**



7



8

