

# **WARNING!!**

## **Furniture Tipping Risk.**

**Serious risk of severe or fatal crush injuries can occur from furniture tipping over if not secured.**

**Children like to climb on furniture and Unsecured furniture can pose a serious danger.**

**Please follow all instructions and install the tip-over restraints provided.**

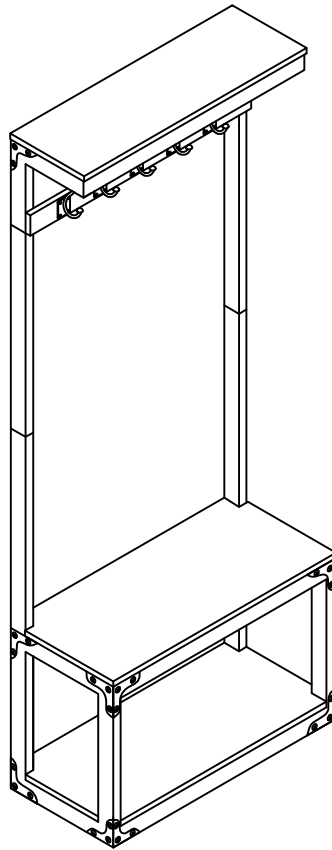
**In addition to installing the restraints, to help prevent tip-over:**

- 1. Place heaviest items in the lowest drawers,**
- 2. Unless specifically designed to accommodate, do not set TV's or other heavy objects on top of this product,**
- 3. Never allow children to climb or hang on drawers, doors, or shelves,**
- 4. Do not leave drawers open,**
- 5. Never open more than one drawer at a time, and**
- 6. Do not step on the base.**

# Assembly Instructions



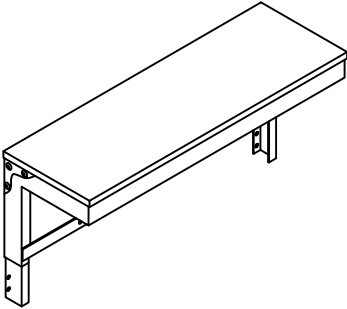
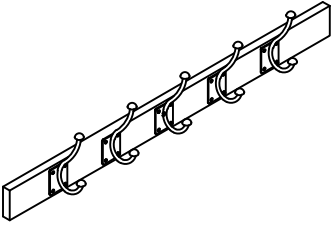
Caution : You must read this before you proceed

## COAT RACK

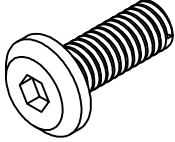



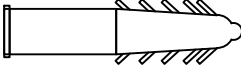
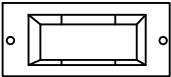
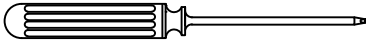
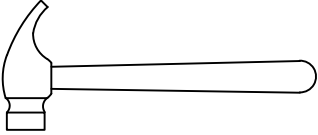



### Part list

Label	Picture	Description	QTY
A	An isometric line drawing of the bottom part of the coat rack, showing a rectangular frame with a lower shelf and a small vertical post on the right side.	BOTTOM PART	1

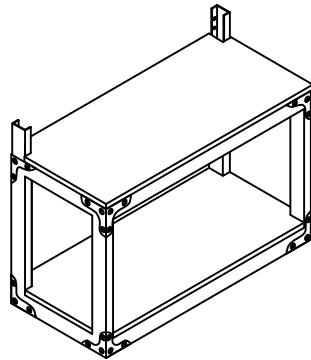
Label	Picture	Description	QTY
B		LOWER SUPPORT	2
C		UPPER SUPPORT	2
D		Top	2
E		Hanger Strip	1

# Hardware

Label	Picture	Description	QTY
①		Flat Head Allen Bolt (M6x16mm)	17
②		Allen Key (4mm)	1
③		Tipover Restraint Device	2
④		Wall Plugs Screw (M6 x 32 MM)	4
⑤		Wall Plugs (6 x 38 MM)	4
⑥		Bracket	2
⑦		Screwdriver (Not Provided)	1
⑧		Hammer (Not Provided)	1
⑨		Power drill (Not Provided)	1

# Assembly preparation

Before beginning assembly



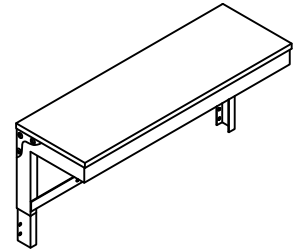
x1  
Pcs.



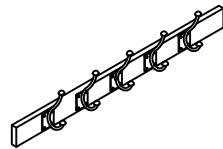
x2  
Pcs.



x2  
Pcs.



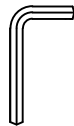
x1  
Pcs.



x1  
Pcs.



x17  
Pcs.



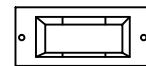
x1  
Pcs.



x4  
Pcs.



x4  
Pcs.



x2  
Pcs.



x2  
Pcs.



Read instructions, cover to cover-



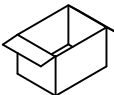
Have 2 adults on hand for assembly-



Do not assemble on flooring or carpet-



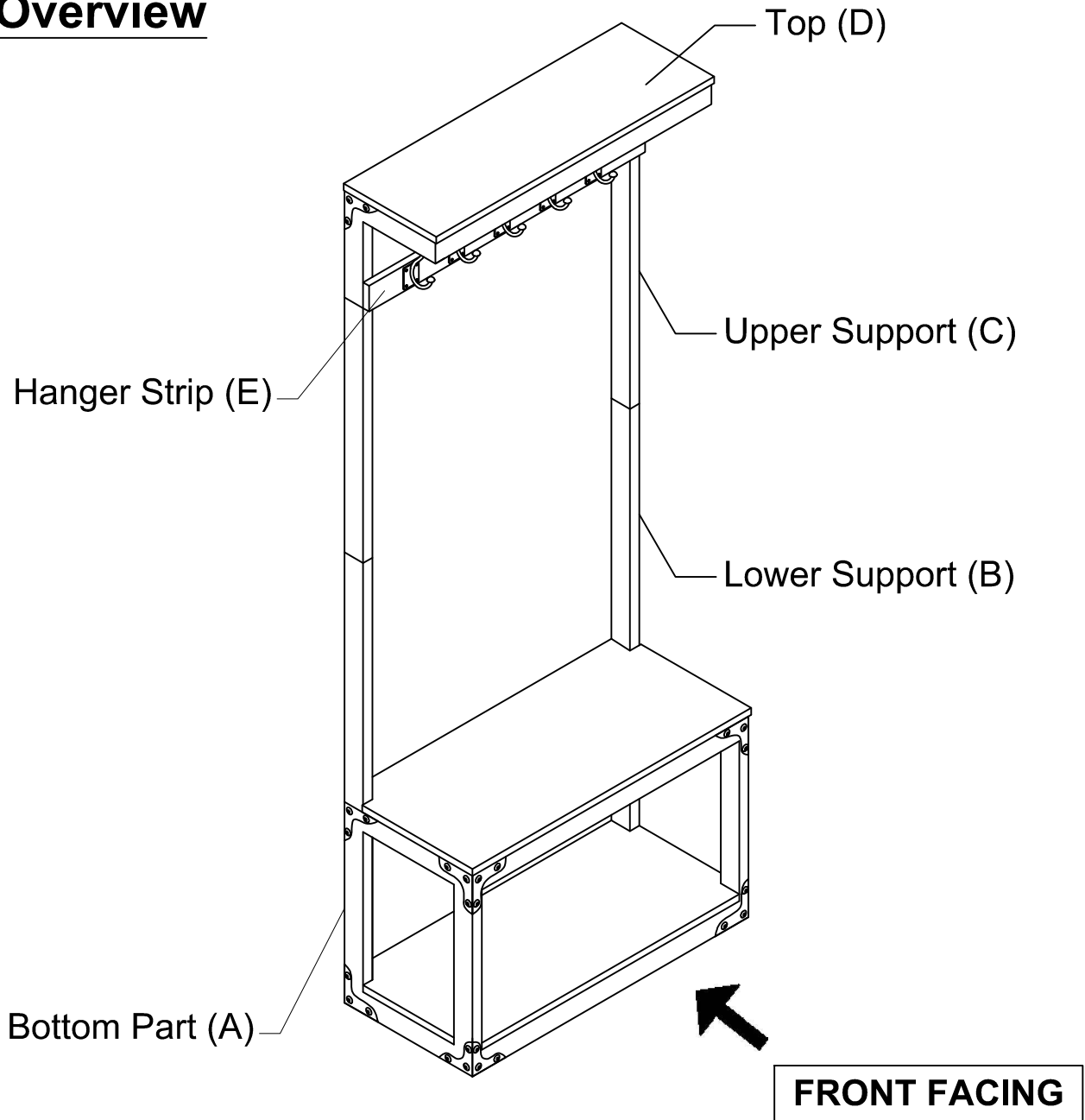
Assemble on a clean, non-marring surface (packing foam)-



Save all packaging until finished-

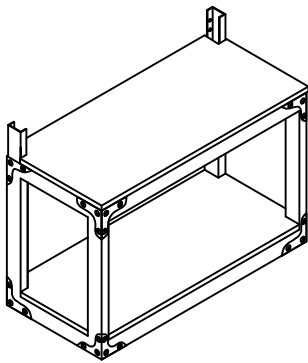
## Assembly steps

### Overview



This Coat Rack has multiple parts and may require up to 30 minutes to assemble. To give you an overview of the Coat Rack parts, the picture above will help you, to put the various parts into perspective. Please read through the instructions below, to familiarize the parts and steps before assembly.

## Step 1



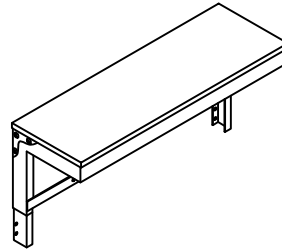
x1  
Pcs.



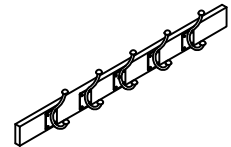
x2  
Pcs.



x2  
Pcs.



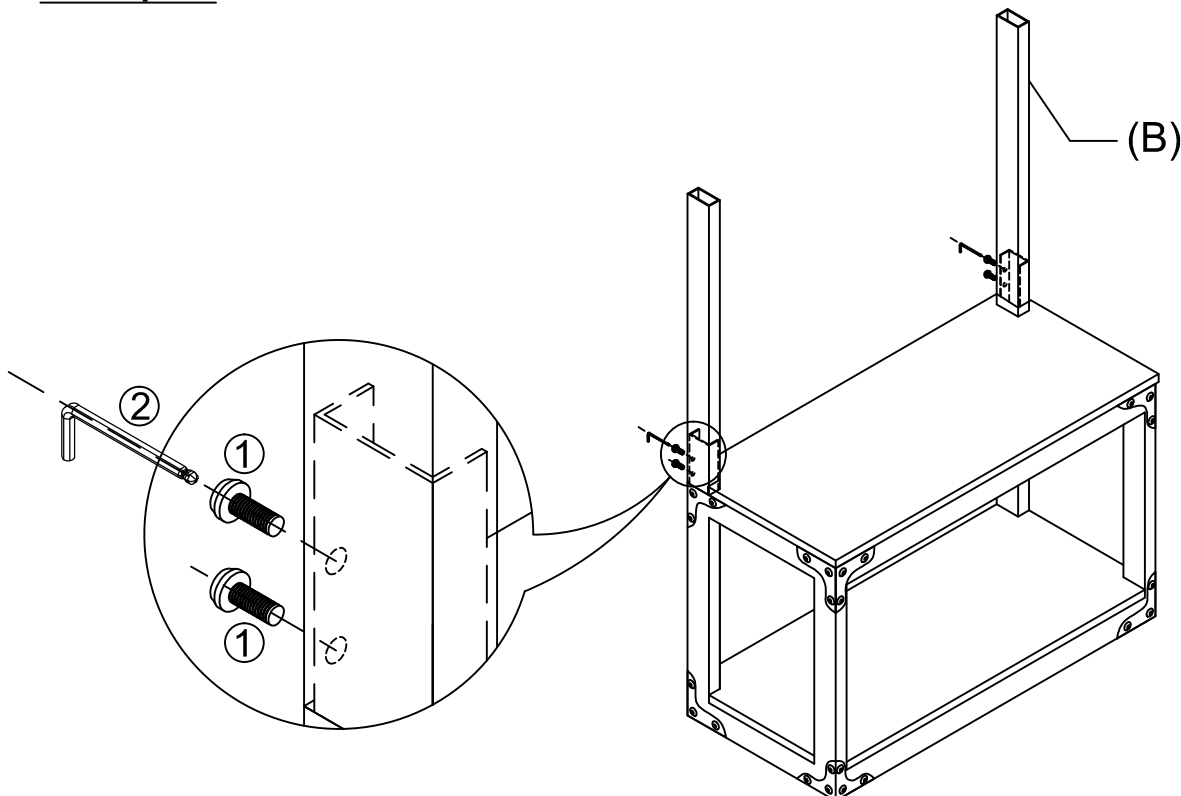
x1  
Pcs.



x1  
Pcs.

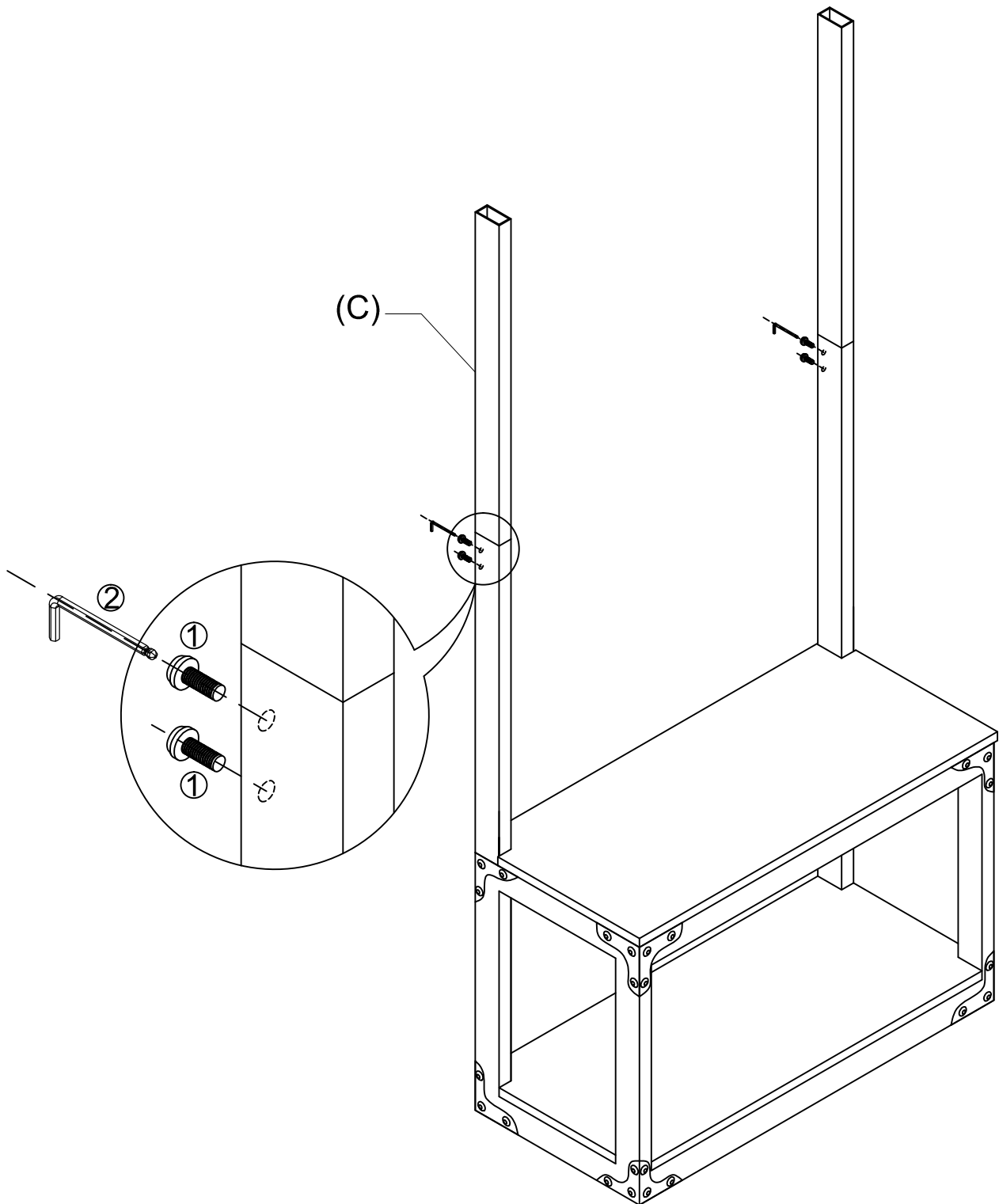
Unpack all the parts and place it on a clean and non-marring surface gently.

## Step 2



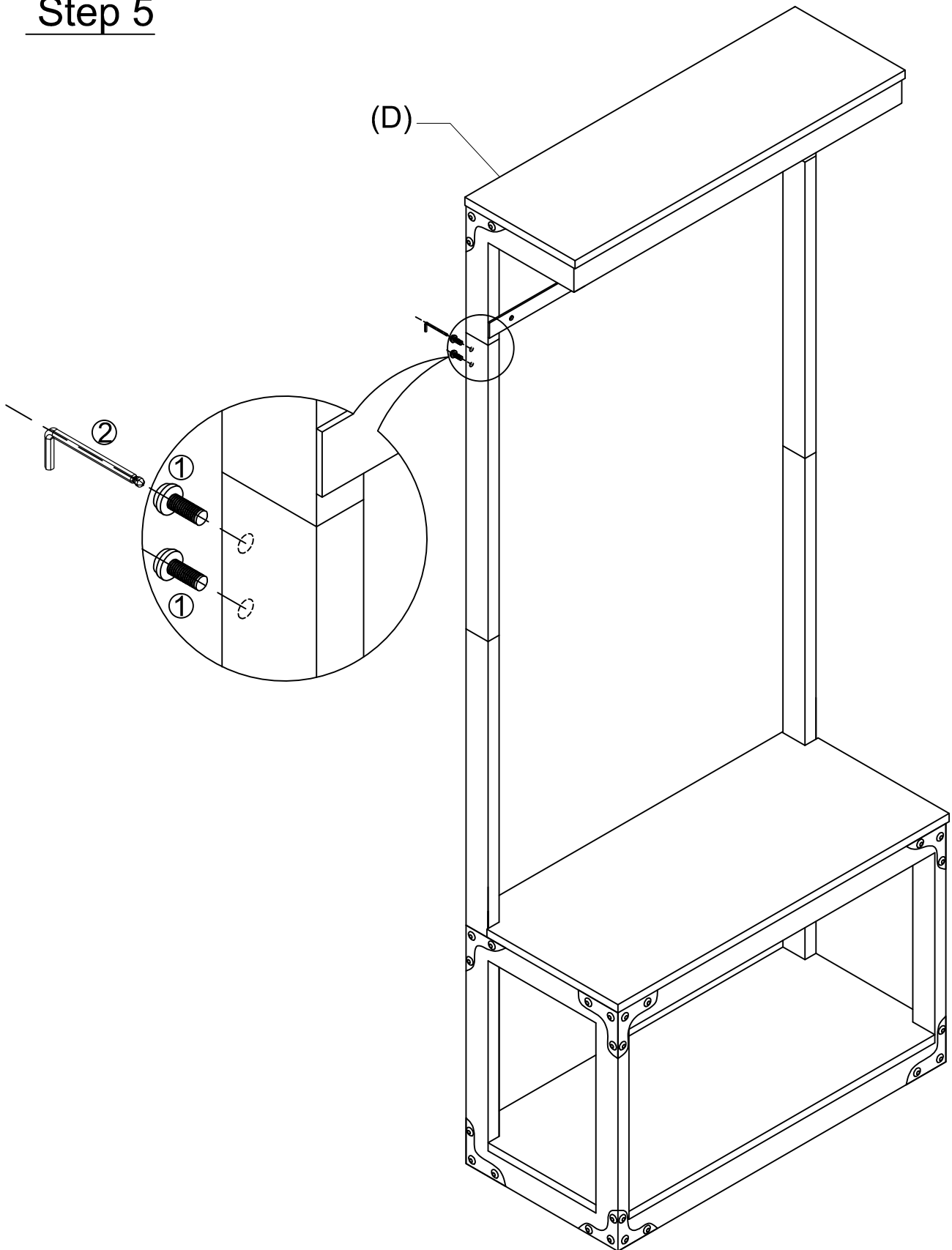
Take the Lower Support (B) and insert it in Bottom part (A). Tighten the Flat Head Allen Bolt (1) with the help of Allen key (2) as shown in the picture above.

## Step 4



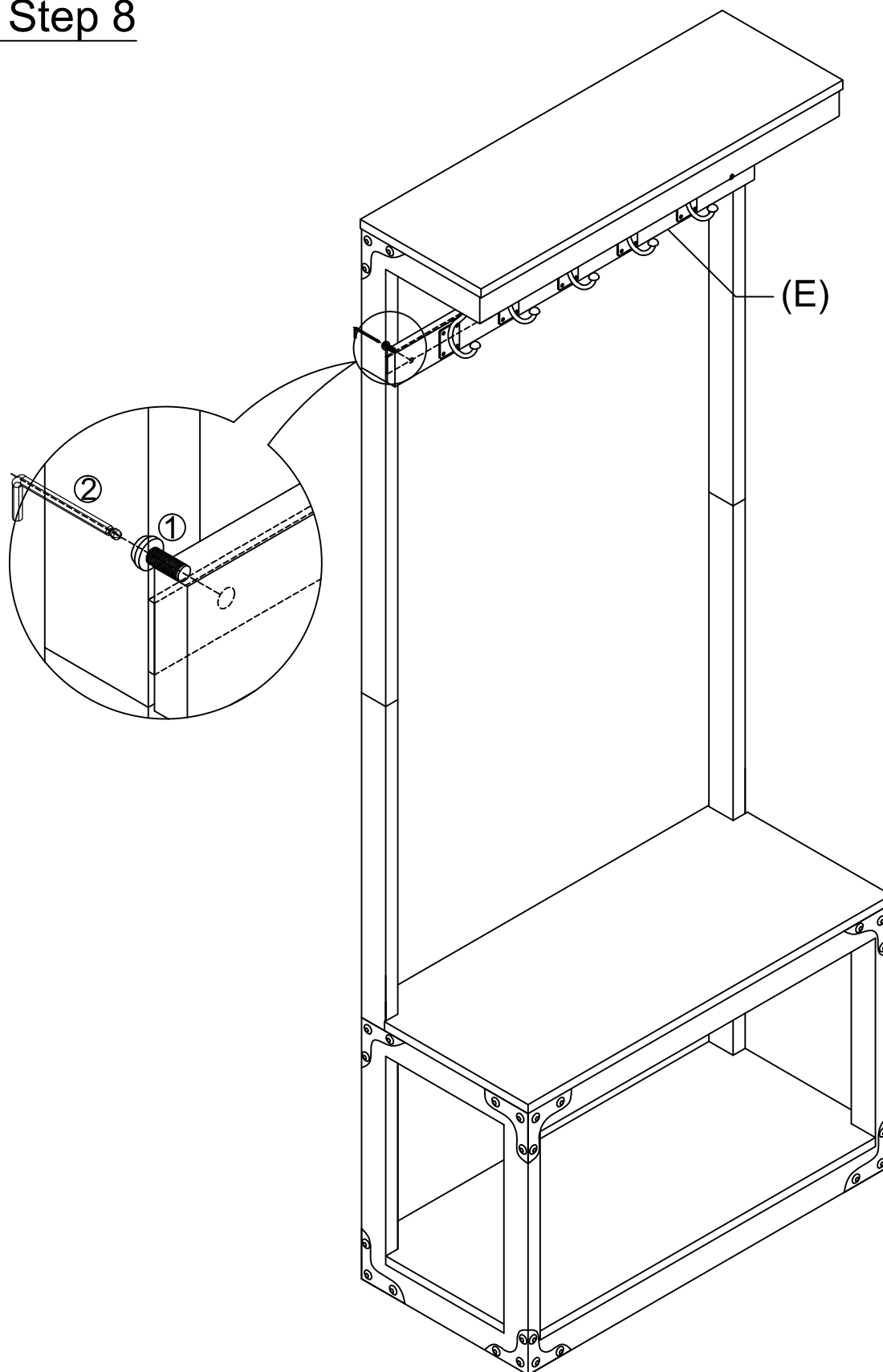
Insert the Upper Support (C) in Lower Support (B) with matching holes. Tighten the Flat Head Allen Bolt (①) with the help of Allen key (②) as shown in the picture above.

## Step 5



Insert the Top (D) with matching holes of Upper Support (C). Tighten the Flat Head Allen Bolt (①) with the help of Allen key (②) as shown in the picture above.

## Step 8



Take the Hanger Strip (E) and align it with matching holes of Top (D). Tighten the Flat Head Allen Bolt (①) with the help of Allen key (②) as shown in the picture above.

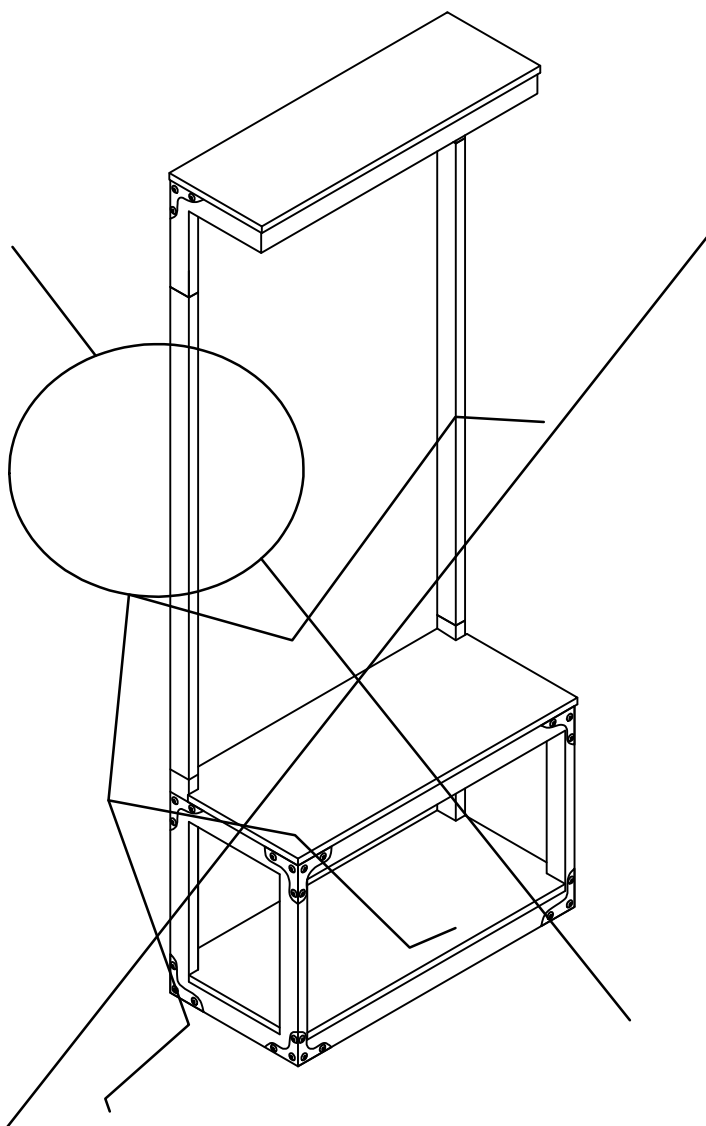
## Tipover Restraint Device Installation Instructions



Serious or fatal crushing injuries can occur from tipping furniture.

To help prevent tip-over: ALWAYS secure this furniture to the wall using Tipover Restraint Device.

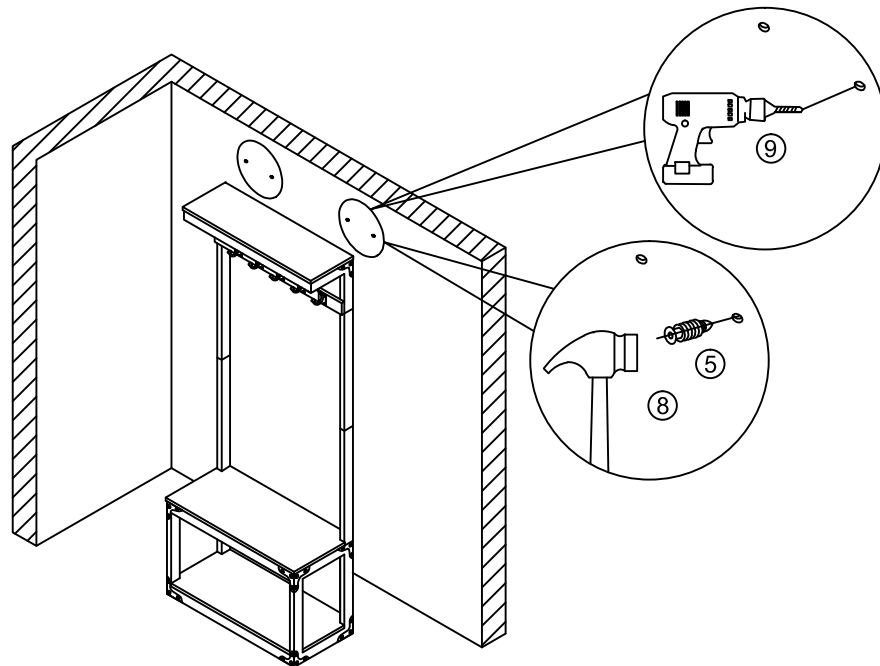
See product instructions for more ways to help prevent furniture tip-over.



### Usage For Tipover Restraint Device:

To secure Coat Rack against wall, attach two Brackets (⑥) on wall and product, use Tipover Restraint Strap (③) to connect the Brackets (⑥).

## Step 9



9.1) Drill two holes on wall at same height as Brackets ((6)) on Coat Rack with Power Drill ((9)).

You can mark these points in two ways as below:

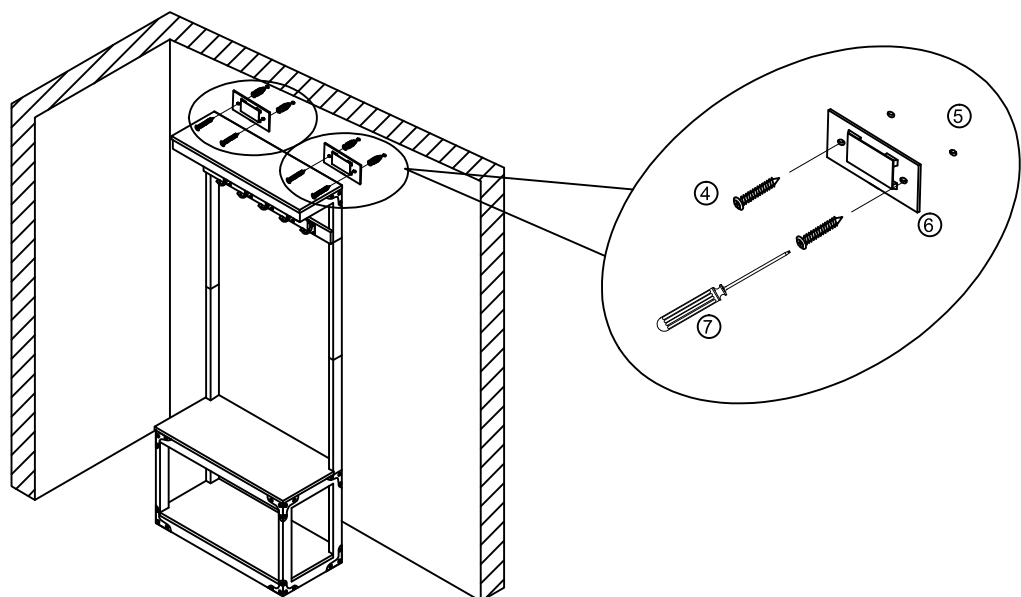
1) Move the Coat Rack back to the wall. Mark two points same height as Coat Rack on the wall.

**Note: The Brackets need to be secured to solid, load bearing surface. Please use a Stud Finder(not supplied) if needed to locate the Wall Frame.**

2) Measure the height of the Brackets ((6)) with ruler/measuring tape and mark on wall to keep them accurate and same height.

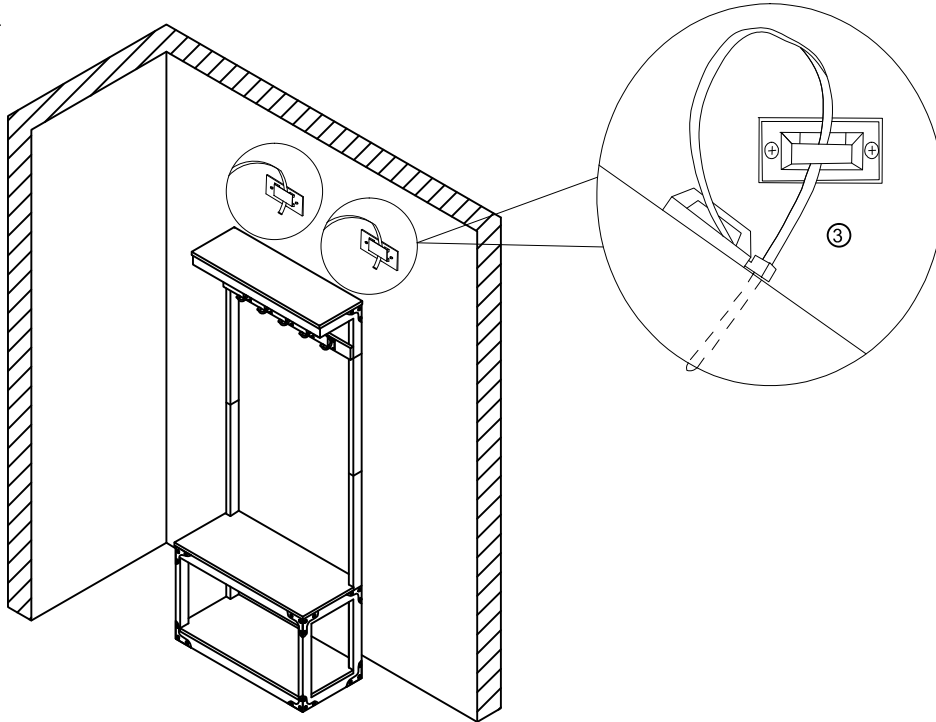
9.2) Insert Wall Plugs ((5)) into drilled holes on wall with Hammer ((8)).

## Step 10



Attach Brackets ((6)) to Wall Plugs ((5)) using Wall Plug Screws ((4)) with Screw driver ((7)).

## Step 11














Move Coat Rack to the wall.

Pull the Tipover Restraint Strap (③) through the Brackets (⑥) on the wall and Coat Rack one by one, and pull the Tipover Restraint Straps (③) tight.

This Coat Rack is now ready to use.

**Caution: This Coat Rack can only be used on flat, level surface.**

## Care & Maintenance

- ✓  • Furniture may scratch floors. We recommend using furniture pads to protect your floors.
- ⊘  • Do not put hot items directly on furniture surface
- ⊘  • Do not clean furniture with harsh cleansers or polish.
- ⊘  • Do not place furniture under direct sunlight.
- ⊘  • Do not place furniture near heating or cooling vents.
- ⊘  • Do not write on furniture without a passed banner to protect the surface.
- ⊘  • Do not place furniture outside. for indoor use only.
- ⊘  • Not for commercial use. for residential use only.
- ⊘  • Stains may be removed with mild soap solution and damp cloth.
- ⊘  • Children should not climb or jump on the furniture.
- ✓  • Dust and pick - up shills using a clean, non-colored, lint-free cloth.