






ASSEMBLY INSTRUCTIONS & PARTS IDENTIFICATION

COCKTAIL TABLE

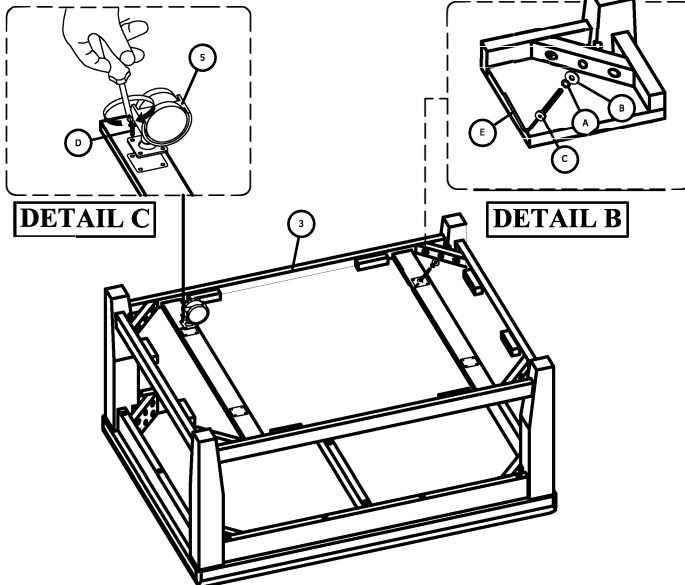
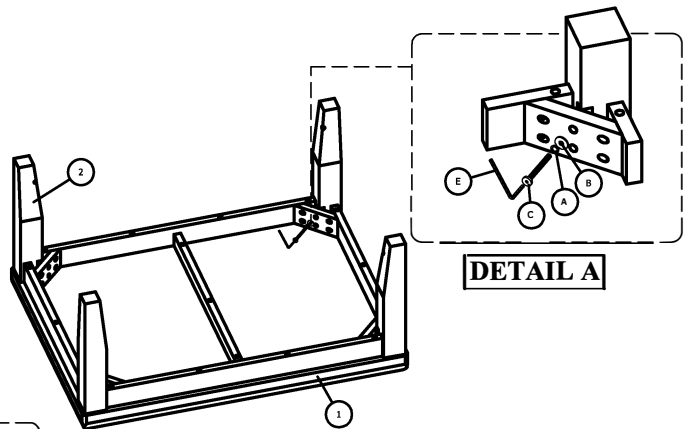
Thank you for purchasing this quality product. Be sure to check all packing material carefully for small parts that may have come loose inside the carton during shipment.

Hardware kit			
No		Description	Q'Ty
A		Lock Washer Ø8	12 pcs
B		Flat Washer Ø8	12 pcs
C		Bolt Ø6 x 50mm	12 pcs
D		Screw Ø4 x 15mm	16 pcs
E		Allen Key	1 pc

Key Parts			
No		Description	Q'Ty
1		Table Top	1 pc
2		Table Leg	4 pcs
3		Shelf	2 pcs
4		Tray	2 pcs
5		Caster	4 pcs

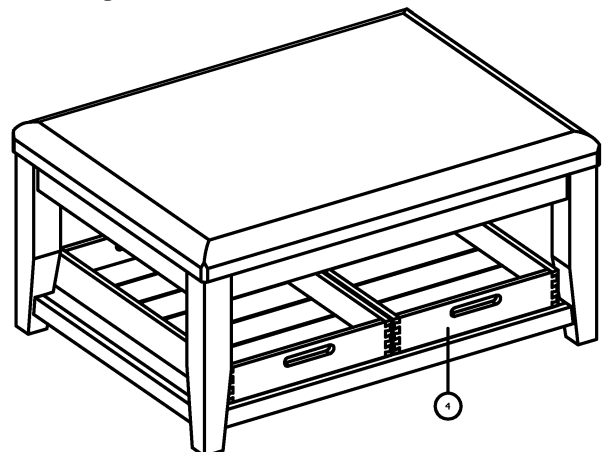
STEP 1

- Carefully lay Table Top upside down on a smooth flat surface
- Attach each Leg to each corner of the Table Top as shown in illustration. Insert a Flat Washer(B) and Lock Washer(A) with Bolt by turning clockwise using provided Allen Key but not fully tighten. See (Detail A)



STEP 2

- Attach the shelf to each leg as shown in illustration. Insert a Flat Washer(B) and Lock Washer(A) with Bolt, fully tighten Bolts by turning clockwise using provided Allen Key until secure. See (Detail B)
- Fasten Caster with Wood Screws (D) by hand using a Phillips screwdriver (not provided) (See Detail C)
- Be sure to tighten all screws and Bolt prior to using Table.



Fabric Maintenance:

Avoid direct sunlight, water, oil, acid, sharp objects, etc. Use vacuum cleaner to clean.

Clean only with a water based shampoo or foam upholstery cleaner. Do not over saturate.

Do not use solvents to spot clean. Pile fabrics may require brushing to restore appearance.

FABRIC CONTENT

95% Polyester, 5% Nylon

Cleaning Code : W