

# INSTALLATION GUIDE FOR 9069

## WARNINGS AND CAUTIONS

Released Date:2026-02

### READ AND SAVE THESE INSTRUCTIONS

Please read and understand this entire manual before attempting to assemble, install or operate the product.

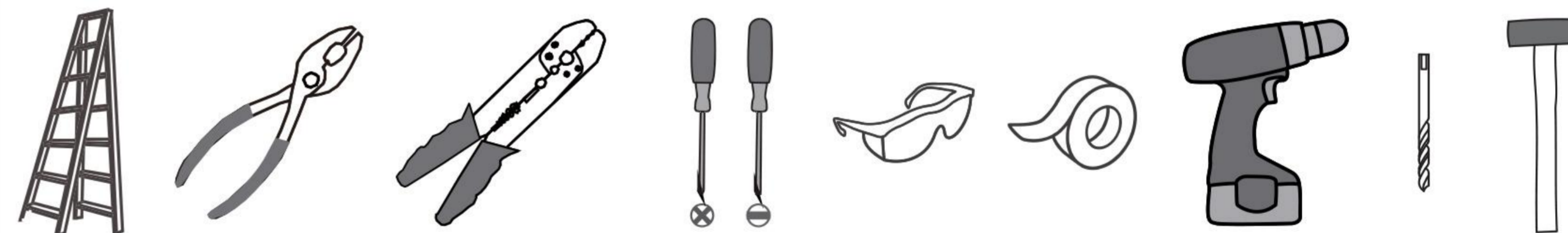
#### WARNING

- RISK OF ELECTRIC SHOCK - Before beginning installation, turn off electricity at the circuit breaker box or the main fuse box.
- RISK OF FIRE - Use bulbs specified by the markings and/or labels on the fixture.
- RISK OF PERSONAL INJURY - DO NOT bend the blades when installing the fan, or cleaning the fan. Do not insert foreign objects in between rotating fan blades.
- RISK OF FIRE, ELECTRIC SHOCK, OR PERSONAL INJURY - mount to outlet box marked and use mounting screws provided with the outlet box.
- All set screws must be checked, and re-tightened where necessary, before installation.
- After making the wire connections, the wires should be spread apart with the grounded conductor and the equipment-grounding conductor on one side of the outlet box and the ungrounded conductor on the other side of the outlet box.

#### CAUTION

- For your safety, read instructions completely before beginning installation.
- If in doubt about electrical installation, consult a licensed electrician.
- Disconnect fixture from the power source before replacing bulbs or cleaning. Make sure the bulbs are given sufficient time to cool before removing.

#### TOOLS REQUIRED

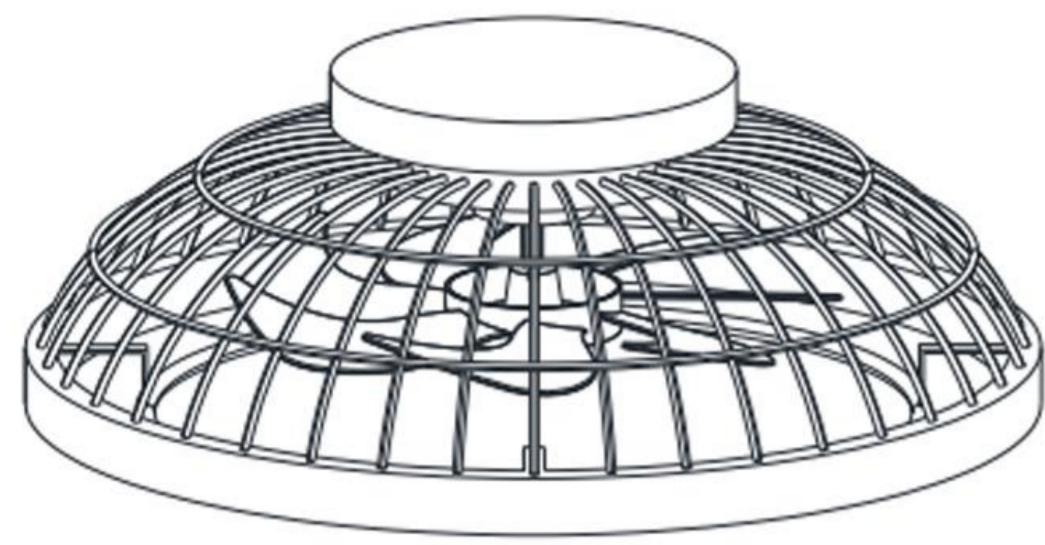


#### CARE AND MAINTENANCE

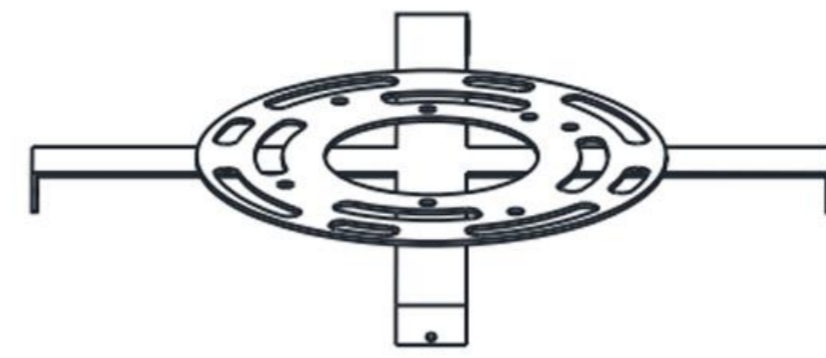
- Wipe clean using soft, dry cloth or static duster. Always avoid using harsh chemicals and abrasives to clean fixture as they may damage the finish.

If you need further assistance contact our After Customer Care at  
**[betteraftersaleservice01@outlook.com](mailto:betteraftersaleservice01@outlook.com)**,  
we will reply you in 24 hours.

## PACKAGE CONTENTS



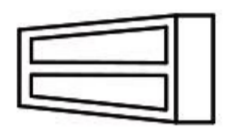
**A** Fixture Body  
x 1



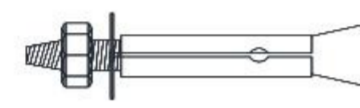
**B** Mounting Bracket  
x 1



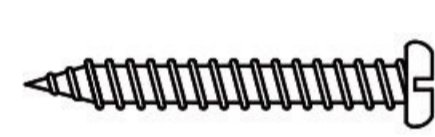
NOTE: Hardware not shown to actual size.



**AA** Wire Connector  
x 4



**DD** Anchor Bolt  
x 2



**BB** Screw  
x 4



**EE** Mechanical Screw  
x 2

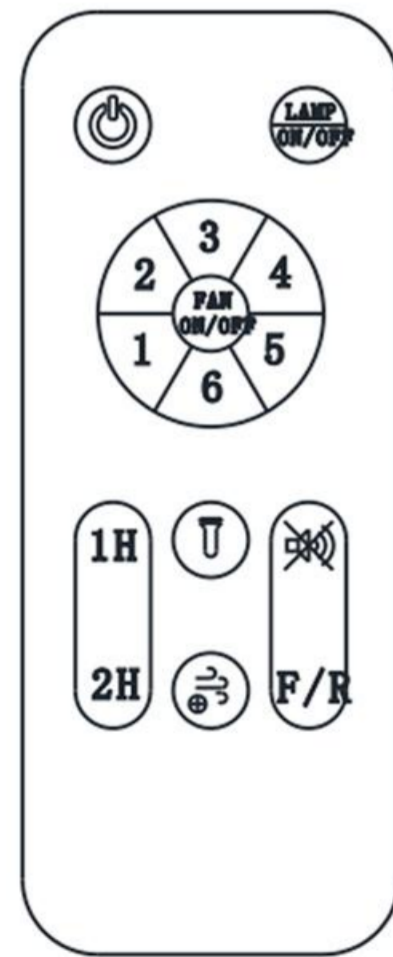


**CC** Wall Anchor  
x 4

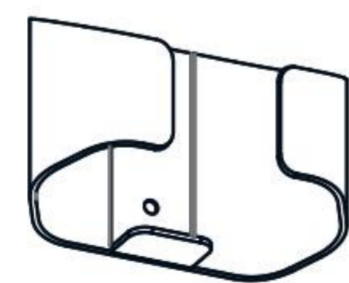


**FF** Gloves  
x 2

## PACKAGE CONTENTS (PARTS BAG 2)



**MM** Remote Control  
x 1



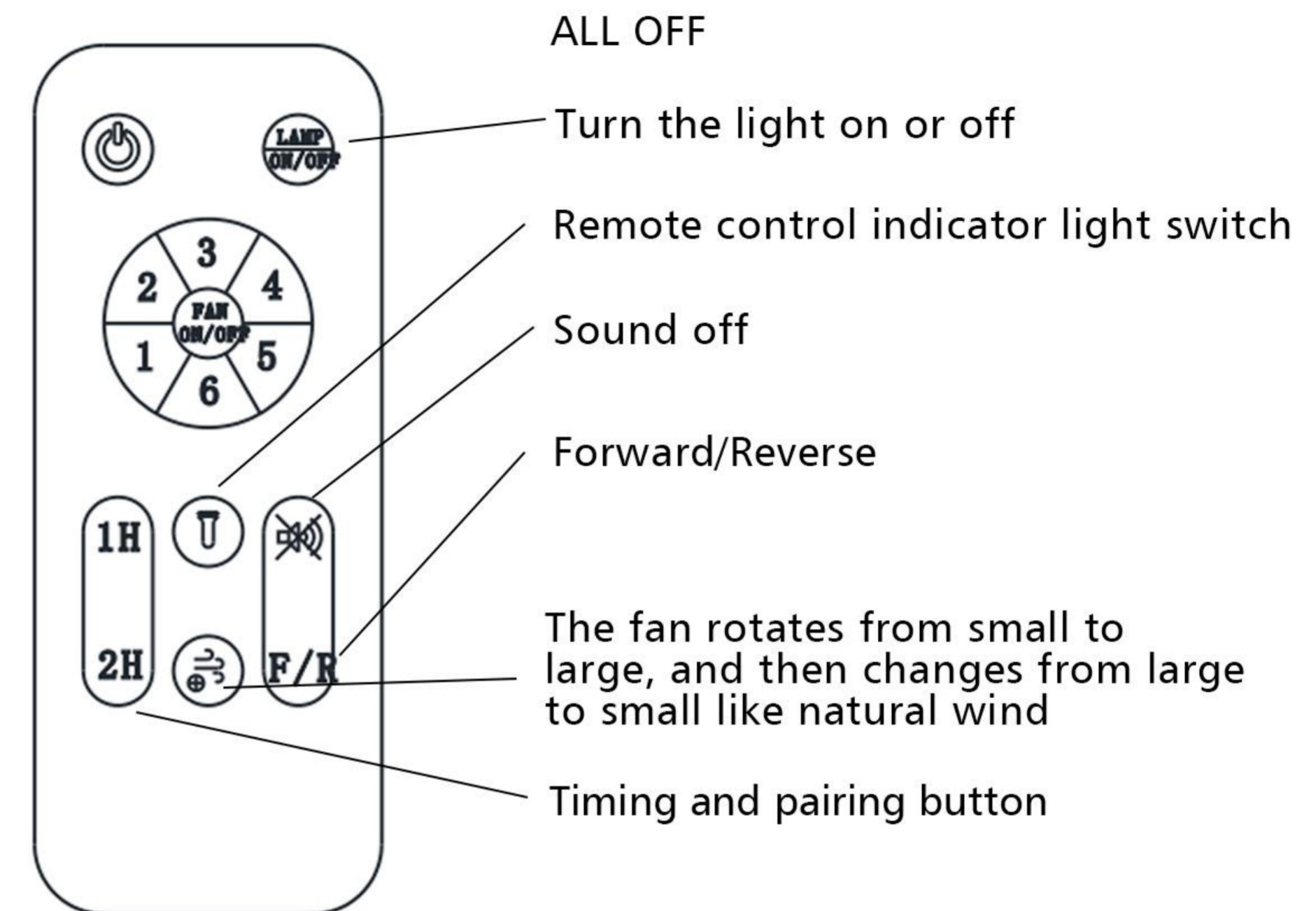
**OO** Wall Bracket  
x 1



**PP** Screw  
x 2

## INSTALLATION

### 8 Remote Control Instruction



#### Remote Control Pairing Instructions:

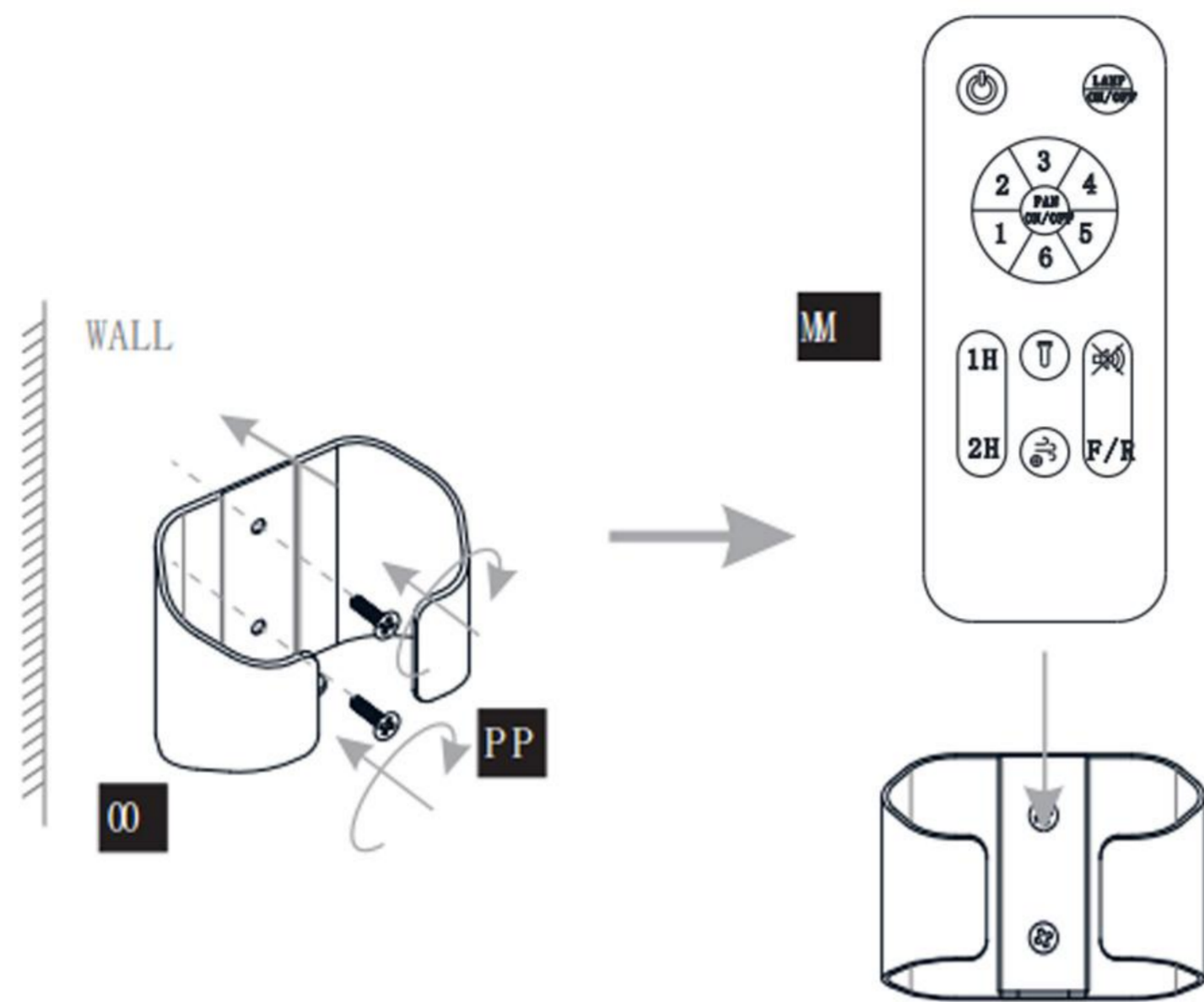
(If the remote is not working, please refer to this method)

1. Turn on the wall switch (if it's already on, please turn it off first, then back on).
2. Press and hold the 2H button for 5 seconds to pair the fan light with the remote control.
3. A beep sound will be heard after successful pairing.

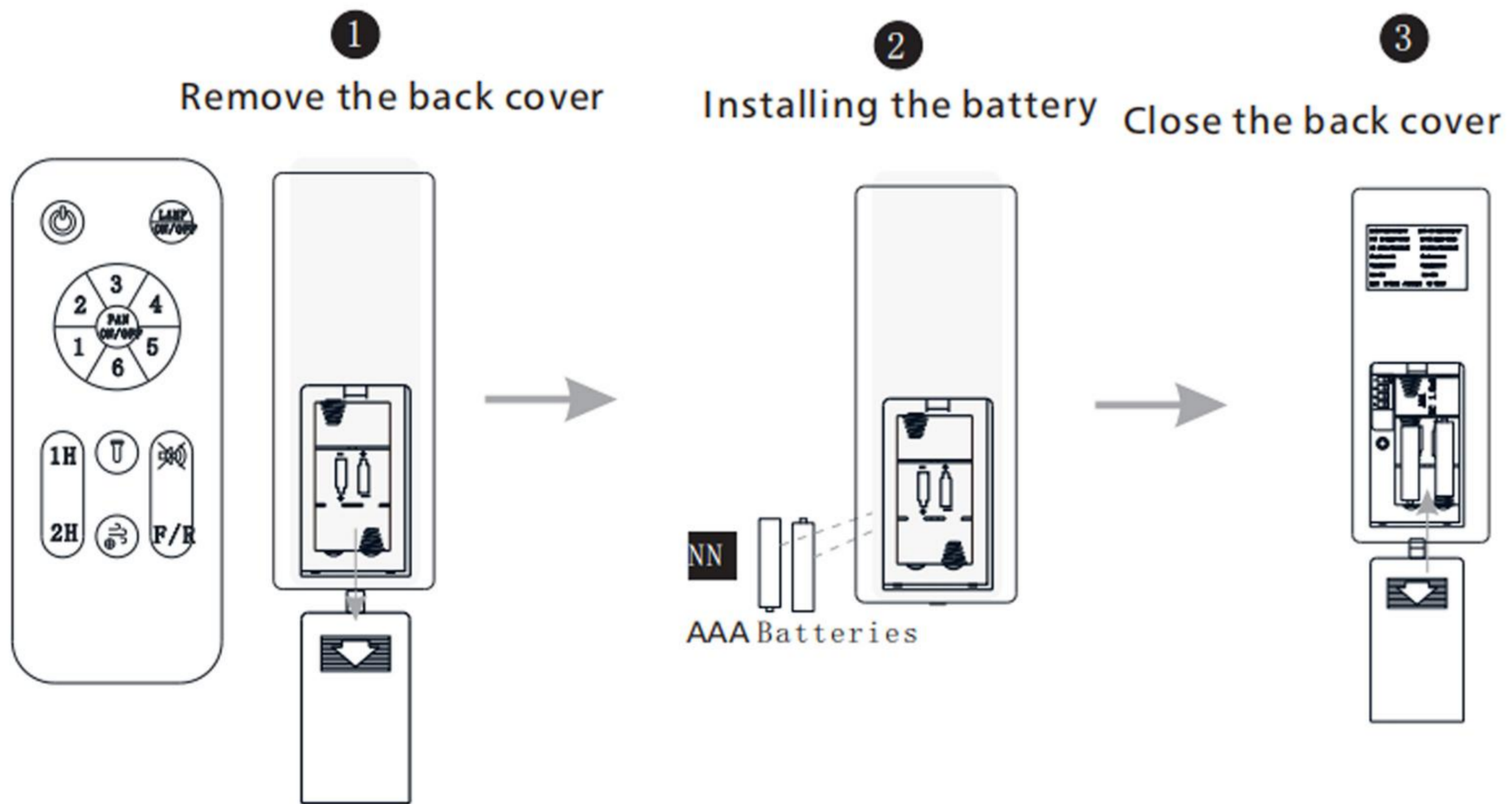
Your installation is now complete. Save this sheet for future

# INSTALLATION

## 6 Install Wall Bracket

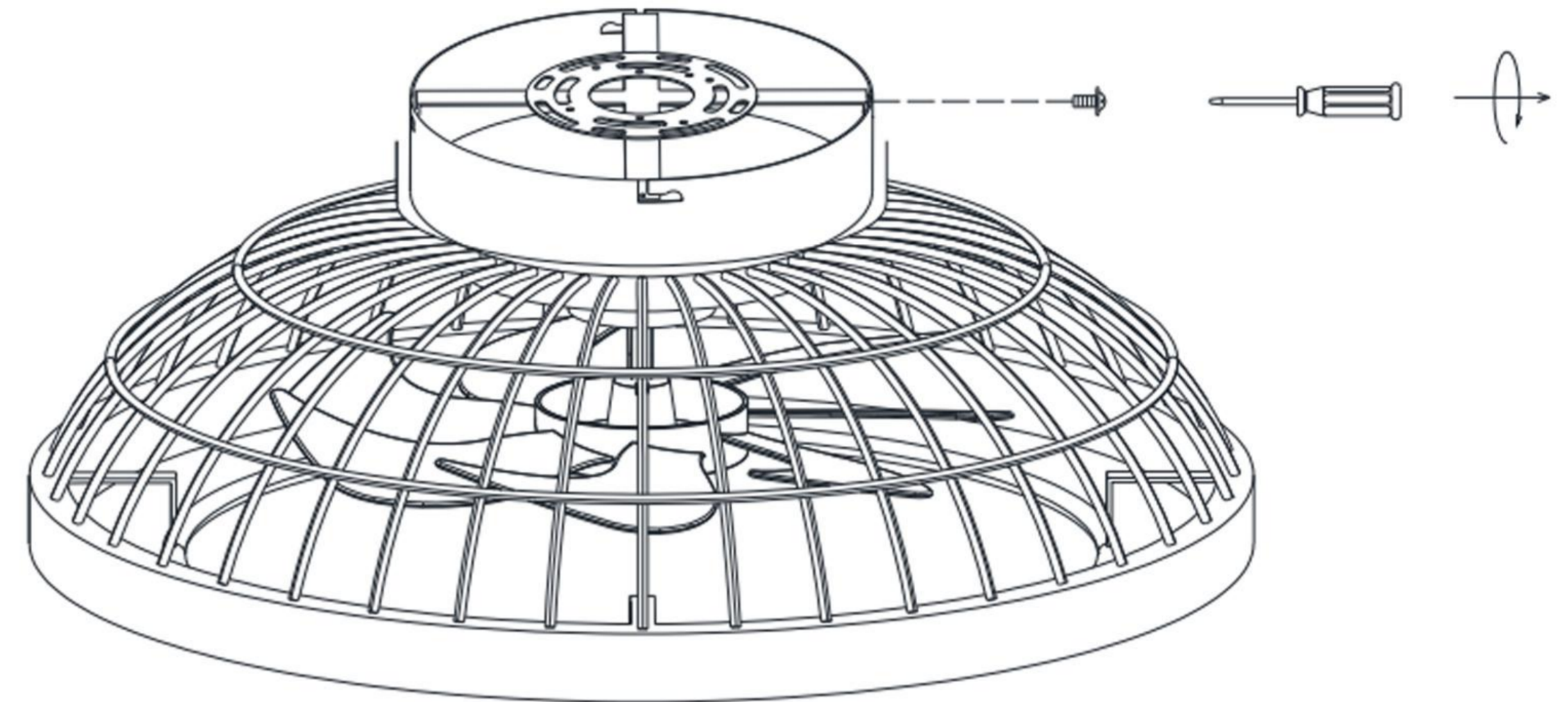


## 7 Install Remote Control

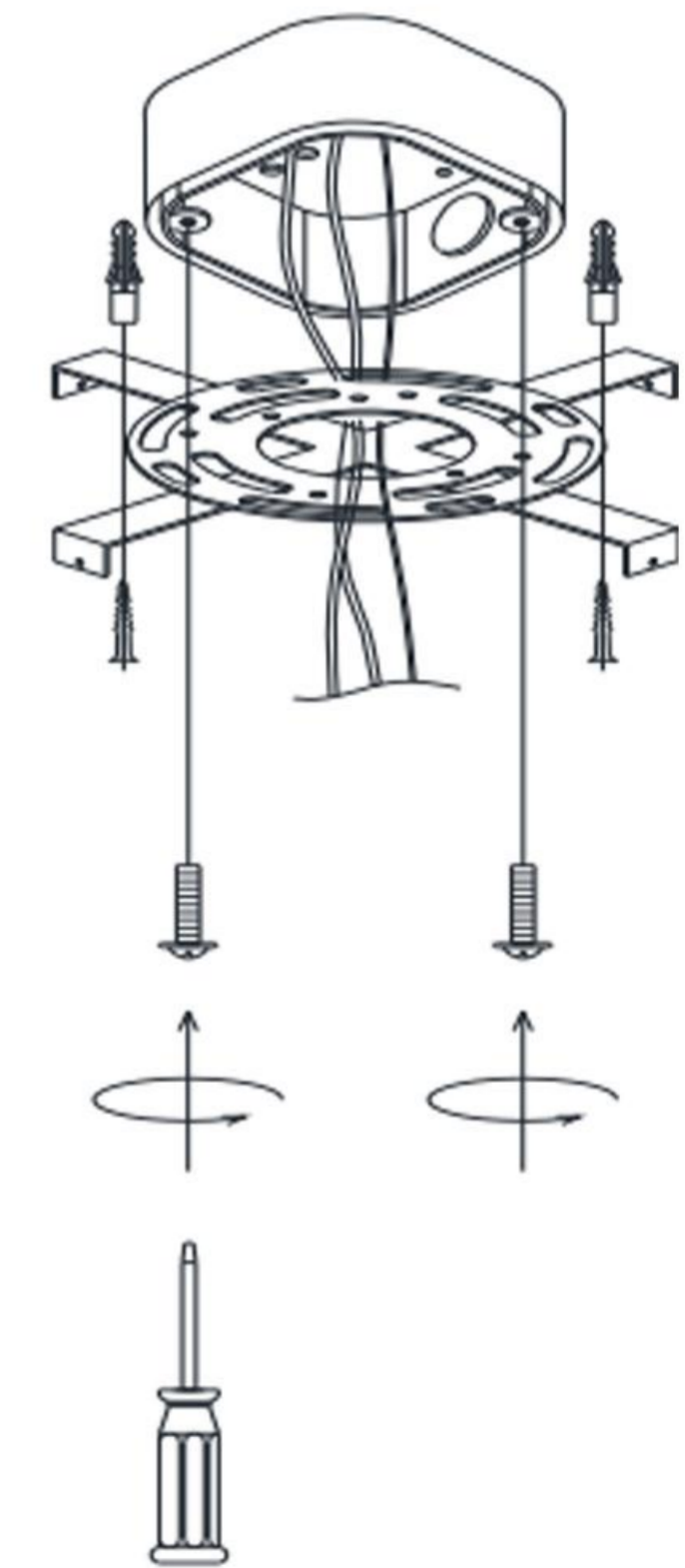


# INSTALLATION

## 1 Remove the mounting bracket

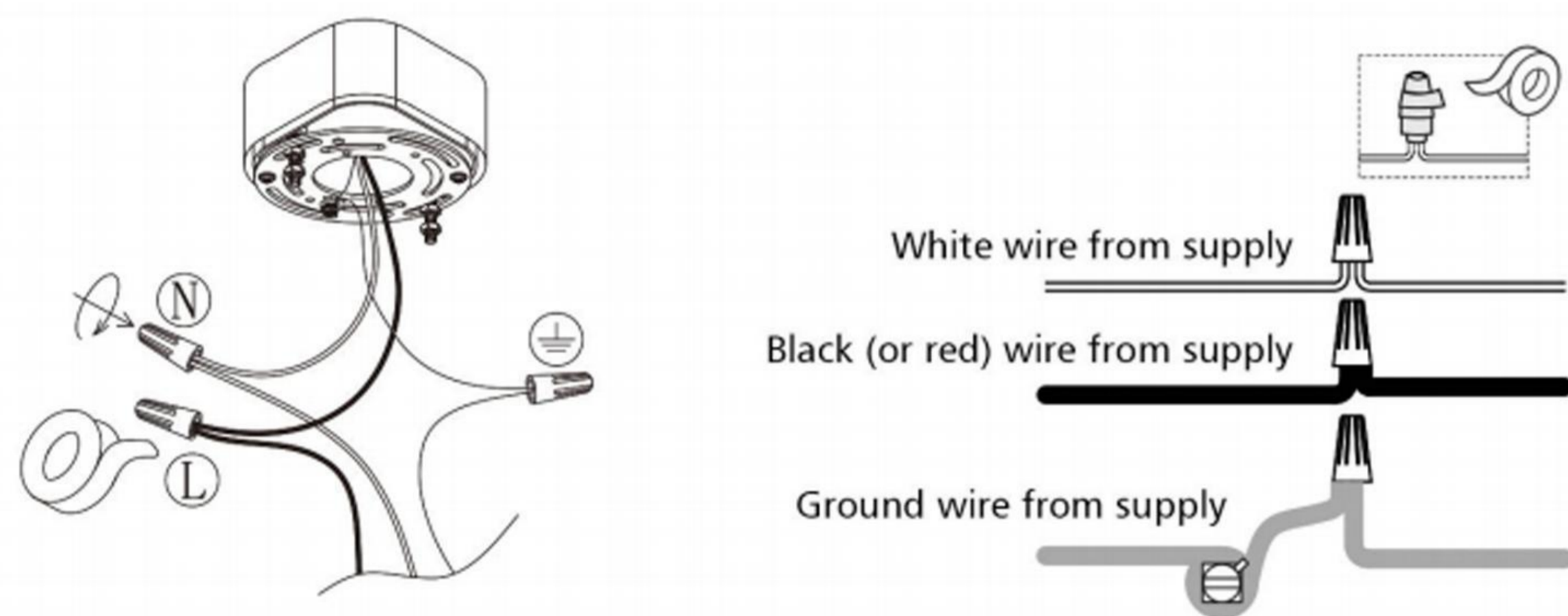


## 2 Install the mounting bracket onto the outlet box



## INSTALLATION

### 3 Wiring



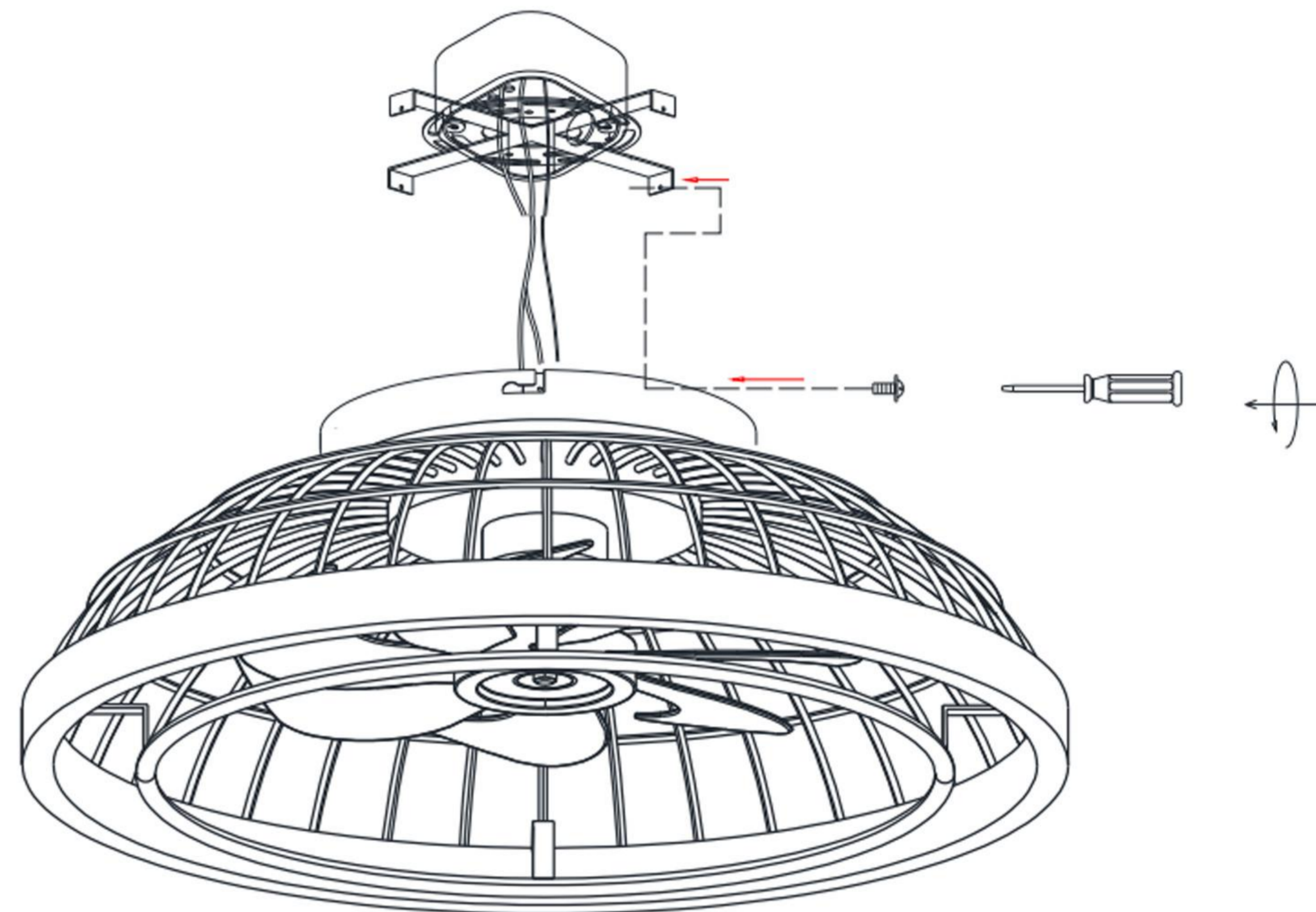
**Step 1:** Connect the wires from the fixture to the house supply wires nuts, ground wire (green, green/yellow, or bare) to ground wire, neutral wire(white)to neutral wire, and hot wire (black) to hot wire. Wrap the connection with electrical tape.

**Step 2:** Spread apart the wires so that the hot wires are on one side of the outer box and the neutral wires are on the other side.

## INSTALLATION

### 4 Secure the fixture body to the mounting bracket

Attention: The hanging plate screws should be positioned in the semi-circular holes



### 5 Install 4\*E12 bulbs(not included)

