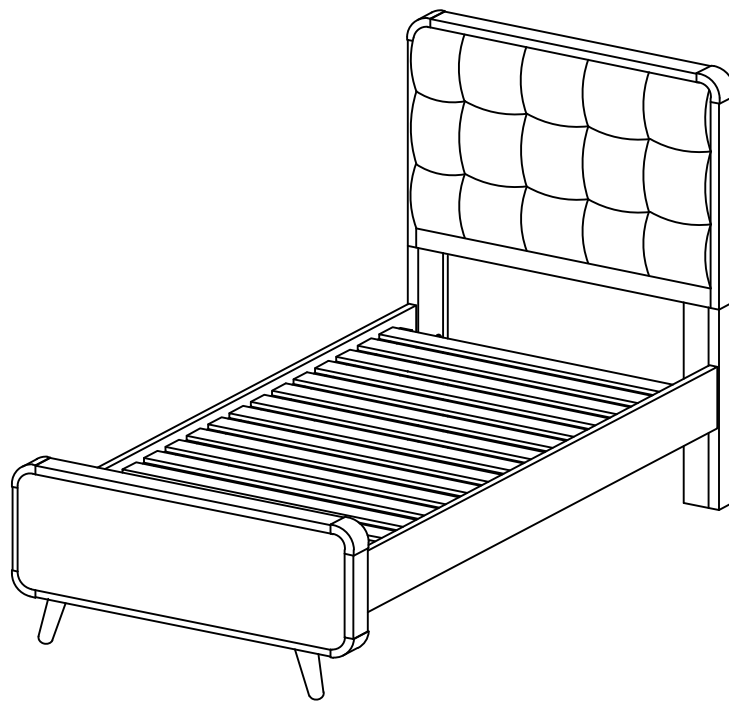


ASSEMBLY INSTRUCTIONS



Fine Furniture for every stage of life

(B1-B3) Twin Bed

ASSEMBLY INSTRUCTIONS

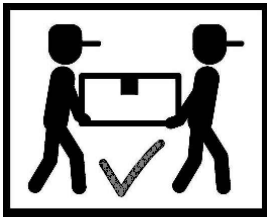
ASSEMBLY TIPS:

1. Remove hardware from box and sort by size.
2. Please check to see that all hardware and parts are present prior to start of assembly.
3. Please follow attached instructions in the same sequence as numbered to assure fast & easy assembly.



WARNING!

1. Don't attempt to repair or modify parts that are broken or defective. Please contact the store immediately.
2. This product is for home use only and not intended for commercial establishments.



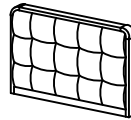
ASSEMBLY TIME

35 MINUTES

PARTS IDENTIFICATION

B1 (BOX 1)

A HEADBOARD PANEL



1PC

B LEFT HEADBOARD LEG



1PC

C RIGHT HEADBOARD LEG



1PC

B2 (BOX 2)

D FOOTBOARD PANEL



1PC

E FOOTBOARD LEG



2PCS

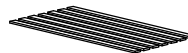
B3 (BOX 3)

F BED RAIL



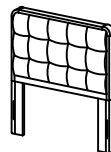
2PCS

G ROLL SLAT (7PCS)



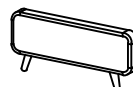
2SETS

HB HEADBOARD COMPLETE



1PC

FB FOOTBOARD COMPLETE



1PC

ASSEMBLY INSTRUCTIONS

ASSEMBLY TIPS:

1. Remove hardware from box and sort by size.
2. Please check to see that all hardware and parts are present prior to start of assembly.
3. Please follow attached instructions in the same sequence as numbered to assure fast & easy assembly.


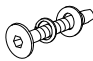
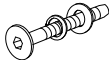



WARNING!

1. Don't attempt to repair or modify parts that are broken or defective. Please contact the store immediately.
2. This product is for home use only and not intended for commercial establishments.

HARDWARE IDENTIFICATION

(BOX 3) - HARDWARE PACK IS LOCATED IN (B3)

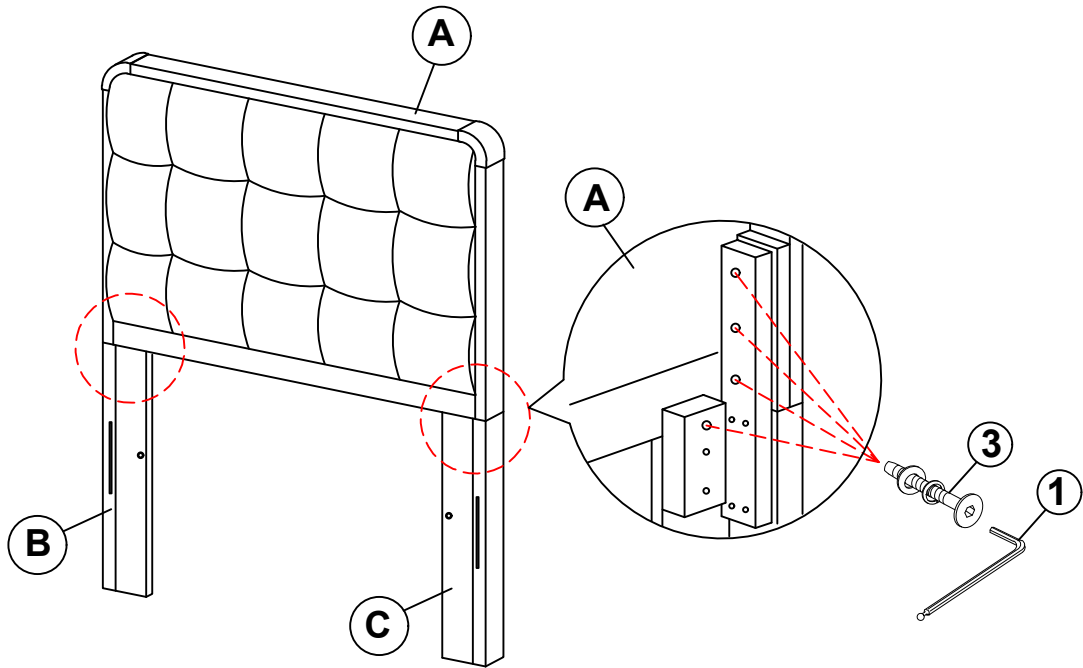
1	ALLEN WRENCH (M4 x 110mm - BLK)		1PC
2	SHORT BOLT WITH WASHER (M6 x 25mm - BLK)		8PCS
3	LONG BOLT WITH WASHER (M6 x 45mm - BLK)		8PCS
4	FLAT HEAD SCREW (#8 x 1 1/8" - BLK)		28PCS

NOTE:

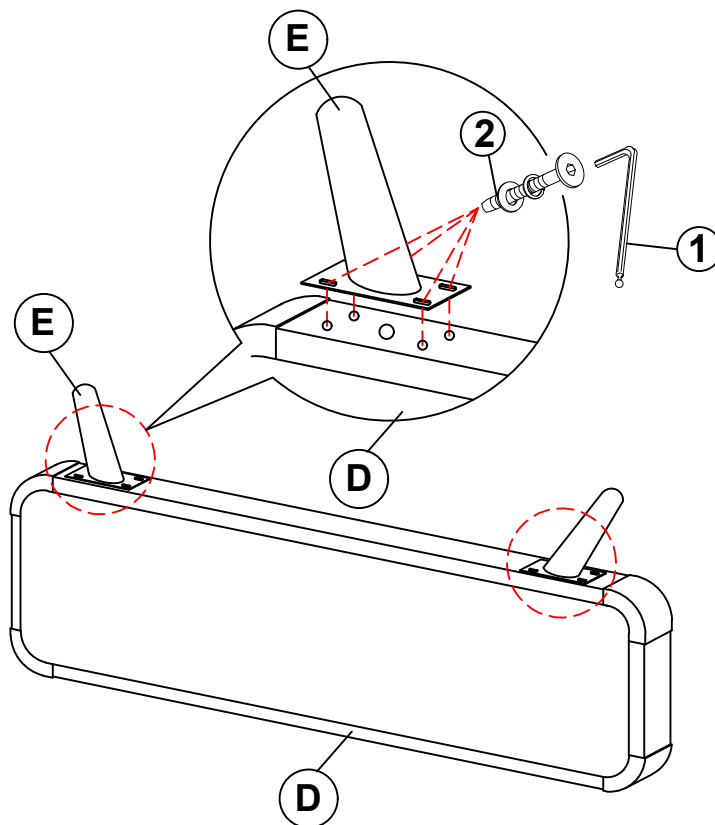
Phillips head screw driver is required in the assembly process; however, manufacturer does not provide this item.

ASSEMBLY INSTRUCTIONS

STEP 1

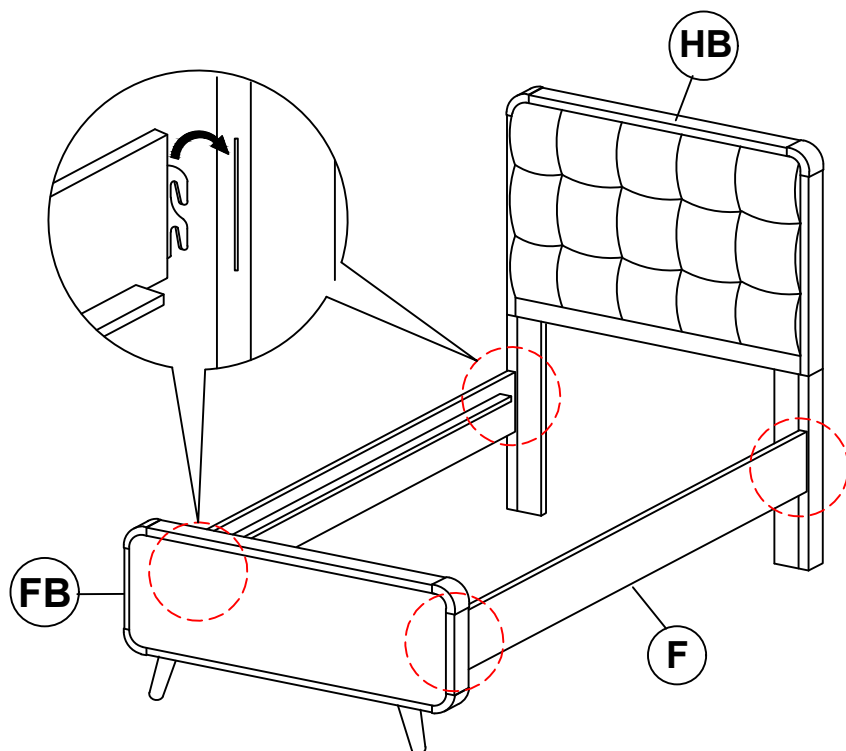


STEP 2

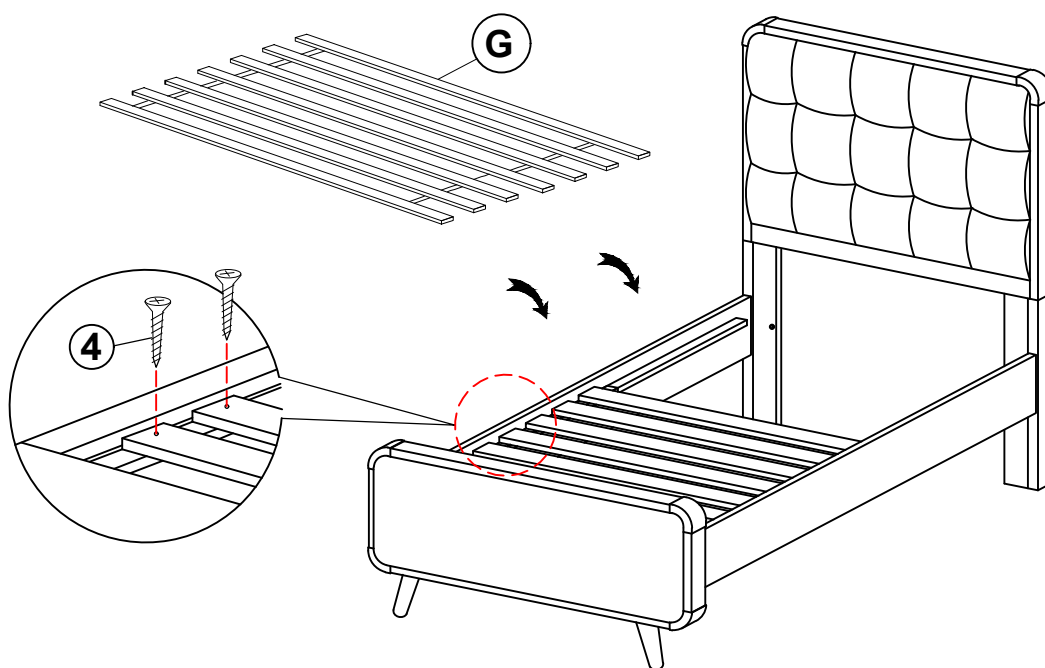


ASSEMBLY INSTRUCTIONS

STEP 3

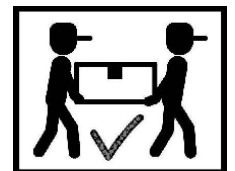
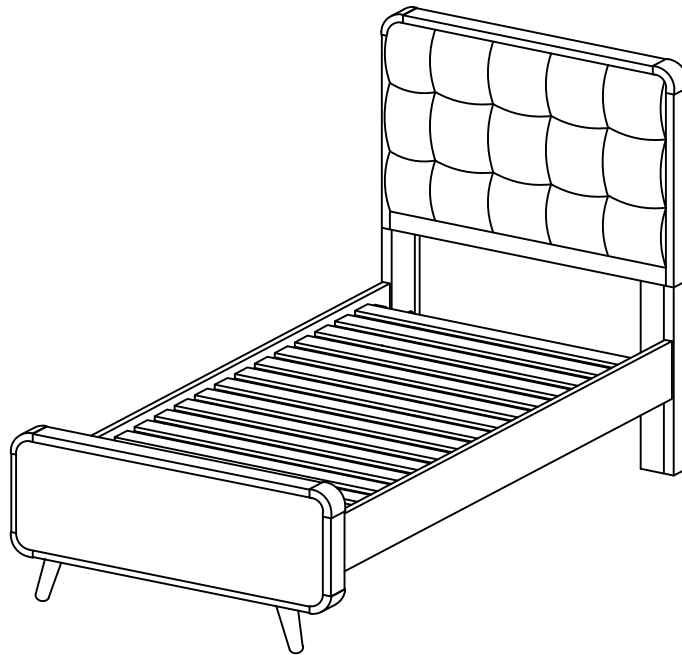


STEP 4

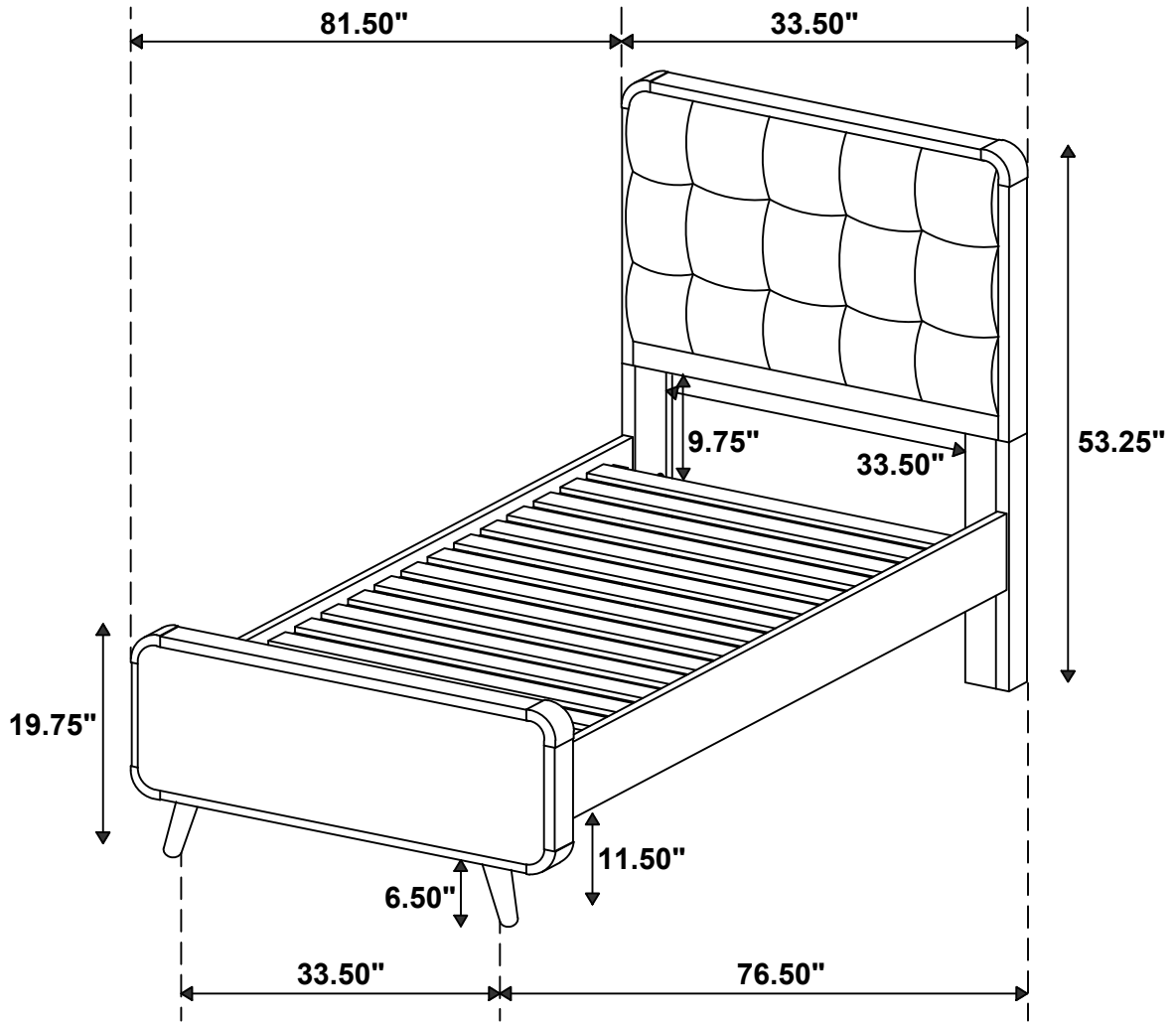


ASSEMBLY INSTRUCTIONS

STEP 5 COMPLETE



Inner Size : 39.50"W x 76.00"D



Note : Dimension tolerance $\pm 5\%$