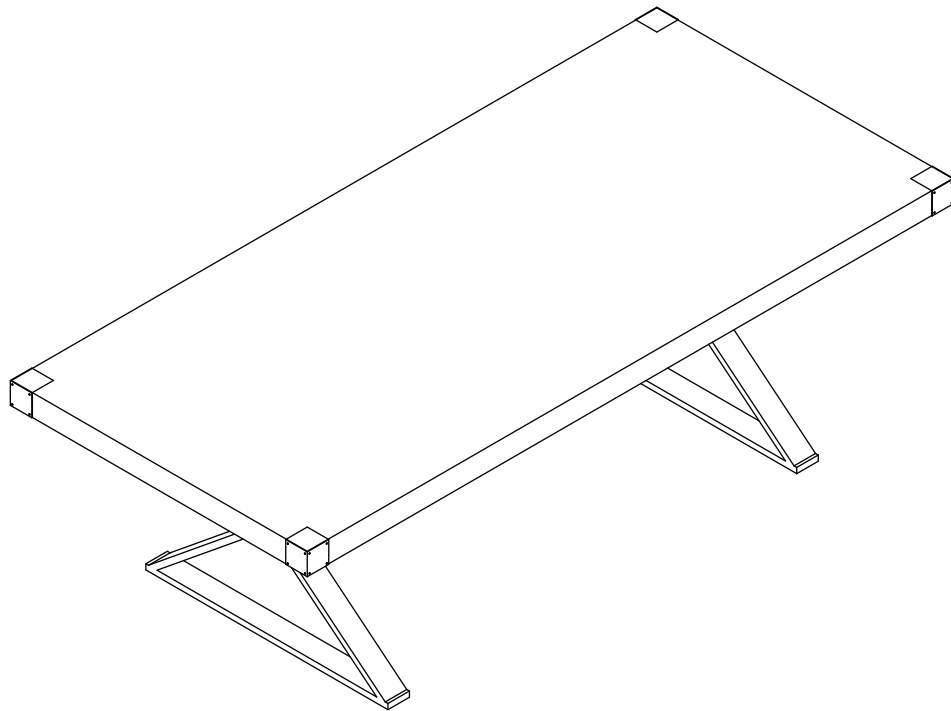
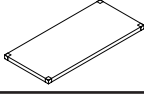
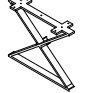
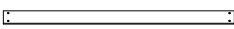


Dining Table


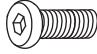


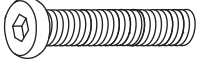
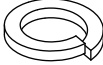


ASSEMBLY INSTRUCTIONS



PARTS LIST

LABEL	PICTURE	DESCRIPTION	QTY
①		Tabletop	1
②		Leg	2
③		Center Bar	1

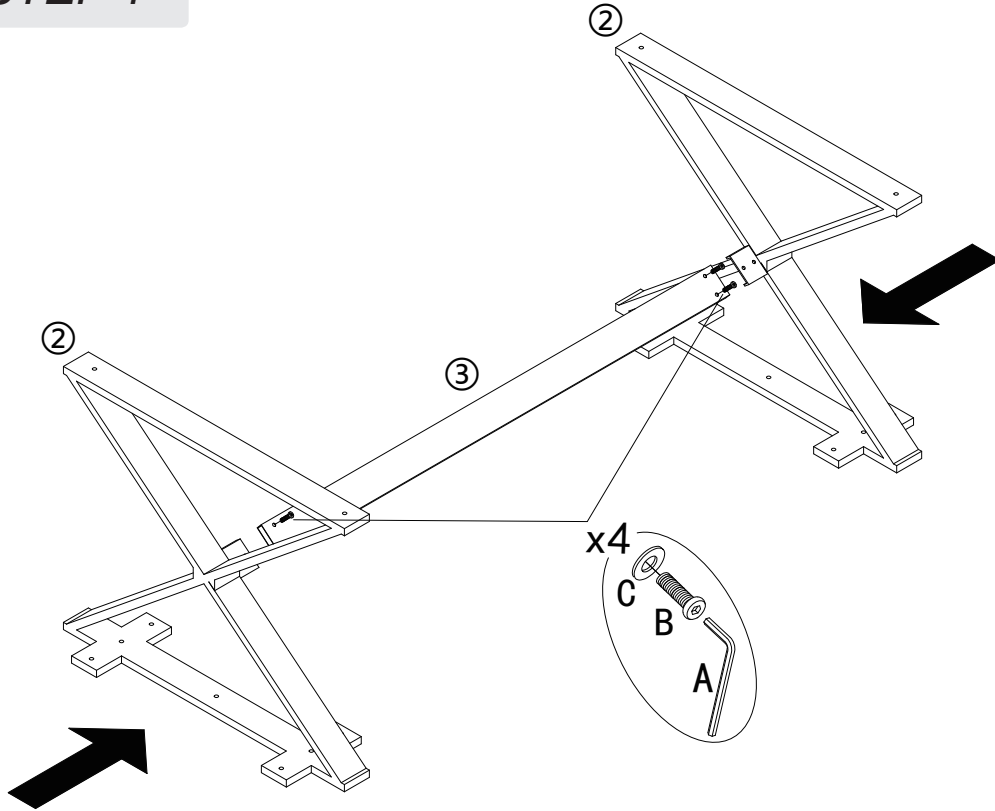
HARDWARE

LABEL	PICTURE	DESCRIPTION	QTY
A		Allen Key M4	1
B		Bolt M6*15	4
C		Washer M6*18	4
D		Allen Key M5	1
E		Bolt M8*40	14
F		Spring M8	14
G		Washer M8*22	14
H		Adjustable feet M50*5	4

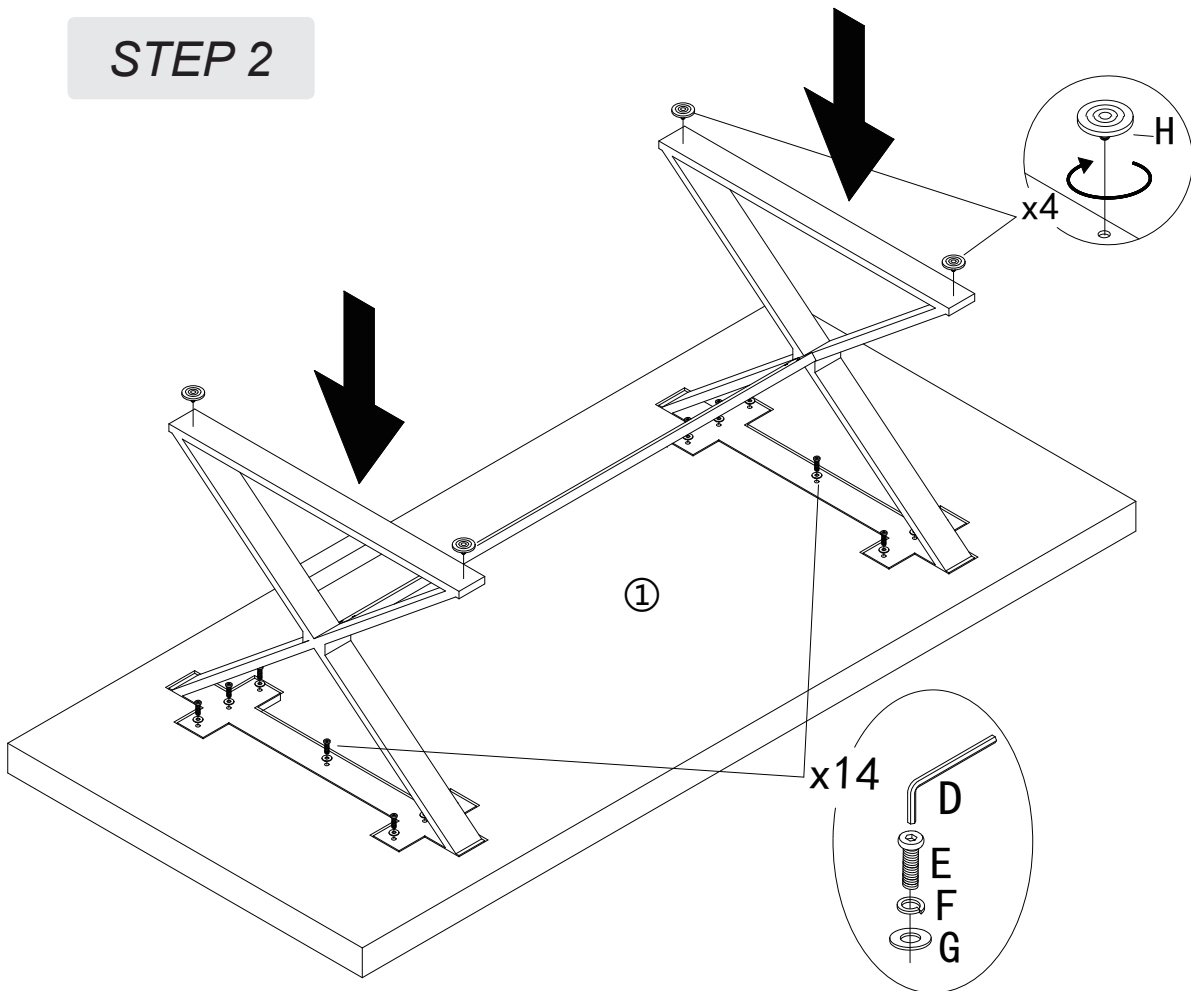
BEFORE BEGINNING ASSEMBLY:

ASSEMBLY STEPS

STEP 1



STEP 2



CARE & MAINTENANCE



Do not put hot items directly on furniture surface.



Do not clean furniture with harsh cleansers or polish.



Dust and pick up spills using a clean, non-colored, lint-free cloth.



Stains may be removed with mild soap solution and a damp cloth.



Do not place furniture under direct sunlight.



Do not place furniture near heating or cooling vents.



Do not write on furniture without a padded barrier to protect the surface.



Do not place furniture outside, for indoor use only.