

BED FRAME

C-KING SIZE

ASSEMBLY INSTRUCTIONS

PARTS AND FITTING PACKAGING DETAIL

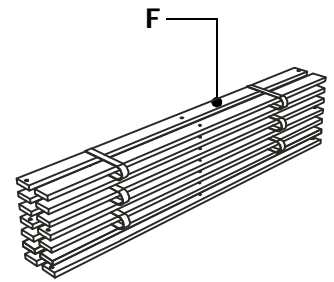
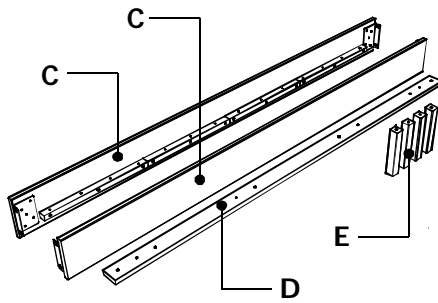
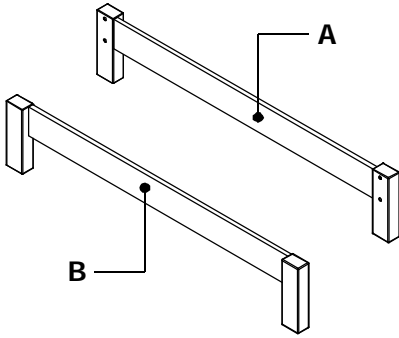
BOX #1

- A. HEADBOARD 1 PC
- B. FOOTBOARD 1 PC
- C. SIDERAILS 2 PCS

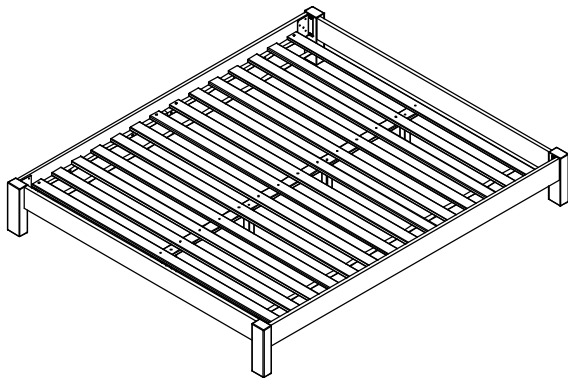
- D. CENTER SLATS 1 PC
- E. CENTER LEG 4 PCS
- HARDWARE BOX

BOX #2

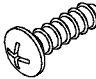


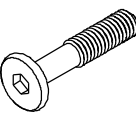
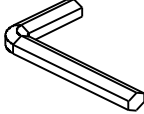
- F. BED SLATS 14 PCS



BED FRAME ASSEMBLED

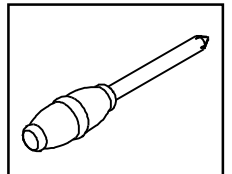


HARDWARE PACKED IN BOX #1

1	PHILLIPS HEAD BOLT 20MM	8 PCS	2	WASHER 8MM	8 PCS	3	WOOD SCREW Ø8X30MM	8 PCS
								
4	ALLEN BOLT 40MM	10 PCS	5	ALLEN KEY	1 PC			
								

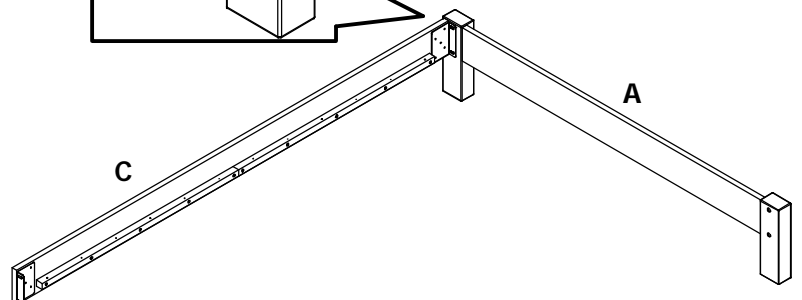
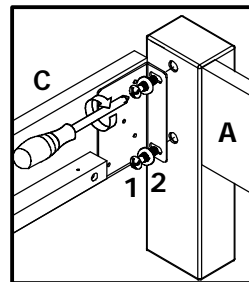
**YOUR BOX
MAY CONTAIN
EXTRA HARDWARE**

TOOL REQUIRED :
PHILLIPS HEAD SCREW
DRIVER (NOT PROVIDED)



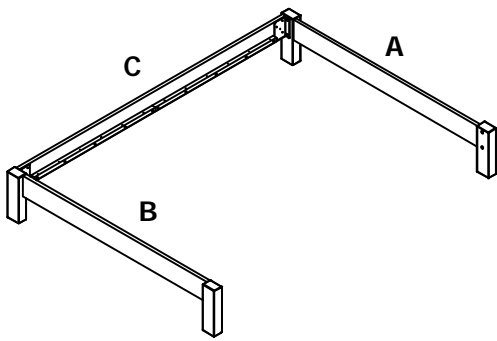
STEP 1 :

FIX ONE OF THE SIDERAILS (C) TO THE HEADBOARD (A) USING PHILLIPS HEAD BOLTS (1) AND WASHERS (2). DO NOT TIGHTEN BOLTS COMPLETELY UNTIL ASSEMBLY IS COMPLETED.



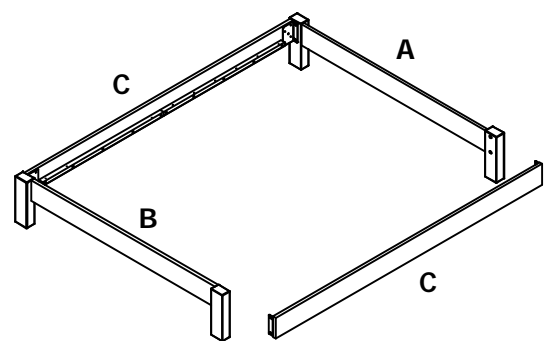
STEP 2 :

FIX THE OTHER END OF THE SIDERAIL (C) TO THE FOOTBOARD (B).



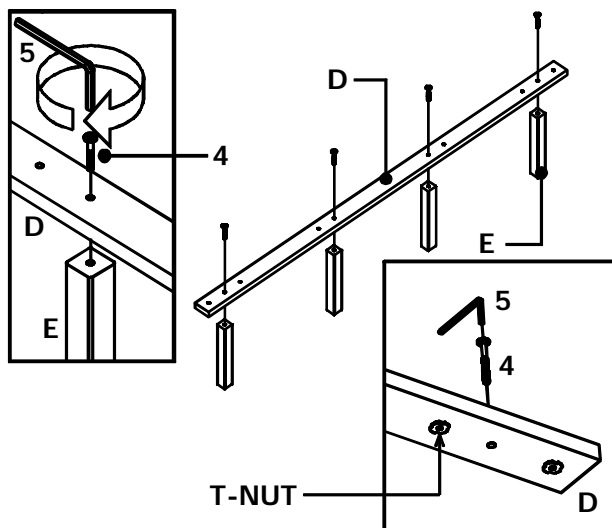
STEP 3 :

REPEAT THE SAME WAY FIX THE OTHER SIDERAIL (C) TO THE HEADBOARD (A) AND FOOTBOARD (B).



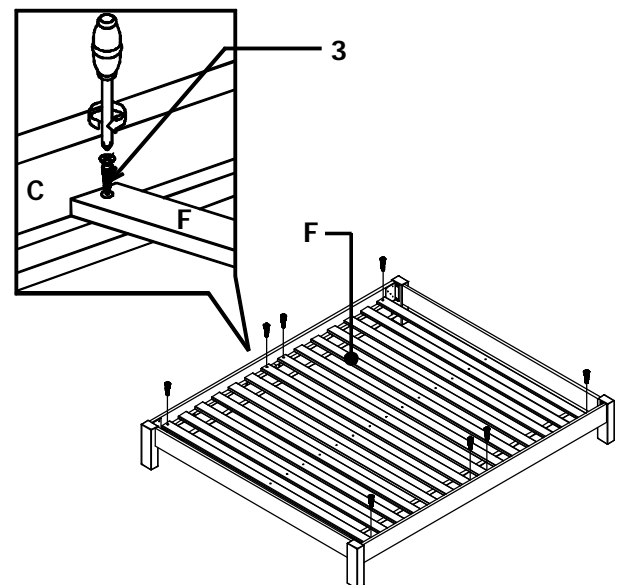
STEP 4 :

ARRANGE CENTER SLAT (D) SO THAT T-NUT ARE FACING THE FLOOR. SLIDE ALLEN BOLTS (4) FROM TOP OF CENTER SLAT (D) INTO THE 2ND, 5TH, 6TH, AND 9TH PRE-DRILLED HOLES. FIX CENTER LEGS (E) TO CENTER SLAT (D) USING ALLEN BOLTS (4) AND ALLEN KEY (5).



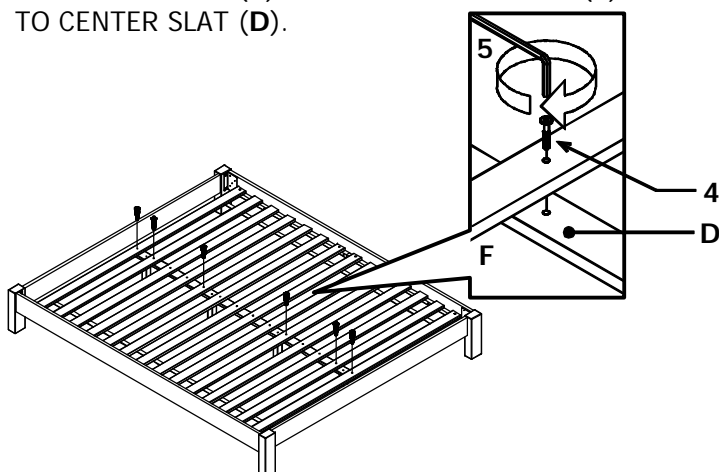
STEP 5 :

SPREAD BED SLATS (F) ON BED FRAME. FIX 1ST, 7TH, 8TH AND 14TH BED SLATS TO BED FRAME USING WOOD SCREWS (3). USE PILOT HOLES ON SIDERAILS (C) AS REFERENCE FOR CORRECT PLACEMENT.



STEP 6 :

SLIDE CENTER SLAT (D) UNDER BED SLATS (F). SLIDE ALLEN BOLTS (4) FROM TOP OF BED SLATS (F) THROUGH PRE-DRILLED HOLES ON 1ST, 2ND, 5TH, 10TH, 13TH AND 14TH BED SLATS. TIGHTEN ALLEN BOLTS (4) WITH ALLEN KEY (5) TO SECURE BED SLATS (F) TO CENTER SLAT (D).

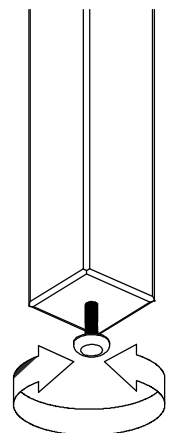


INSTRUCTIONS FOR ADJUSTING LEVELERS :

POSITION THE BED IN YOUR ROOM LOCATE LEVELERS UNDER EACH CENTER LEG (E).

TURN COUNTER-CLOCKWISE TO EXTEND, CLOCKWISE TO CONTRACT.

ADJUST LEVELERS UNTIL EACH LEG IS APPLYING EQUAL UPWARD PRESSURE ON THE CENTER SLAT.



MAINTENANCE INSTRUCTIONS :

- REMOVE BOX SPRING AND MATTRESS BEFORE MOVING YOUR BED.
- LIFT YOUR BED WHEN MOVING IT. DRAGGING CAN DAMAGE CENTER SUPPORT.
- READJUST LEVELERS AFTER MOVING YOUR BED.