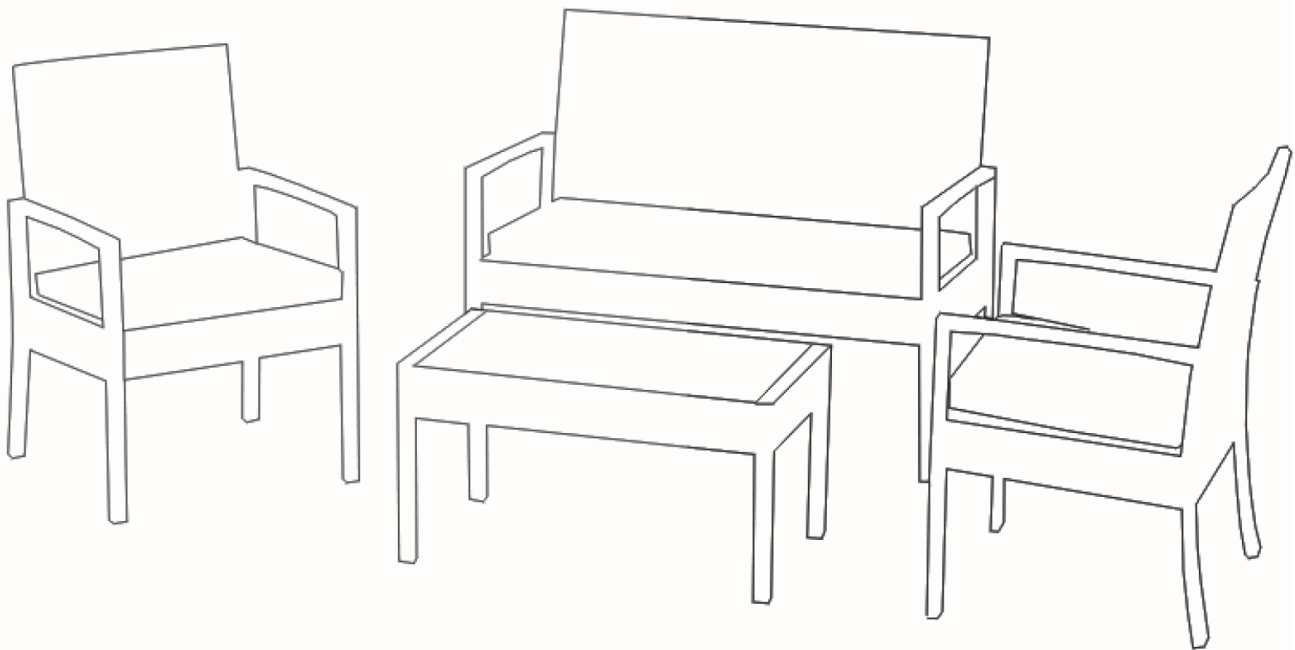


**IMPORTANT**

**RETAIN FOR FUTURE REFERENCE**

**READ CAREFULLY**

# **Assembly Instructions**



**Note:**

1. Do not use electric screwdriver.

2. Two people are required to assemble this item.

Assemble the item on a flat, solid and even surface.

3. Make sure that all the necessary parts are in the carton before starting the assembly.

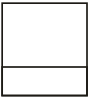
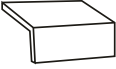





4. Please secure all parts and bolts loosely, only when the frame is complete should you fully tighten the screws.

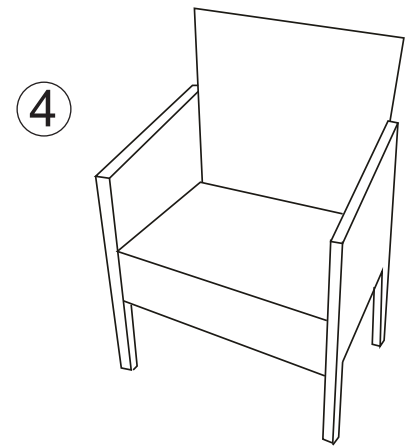
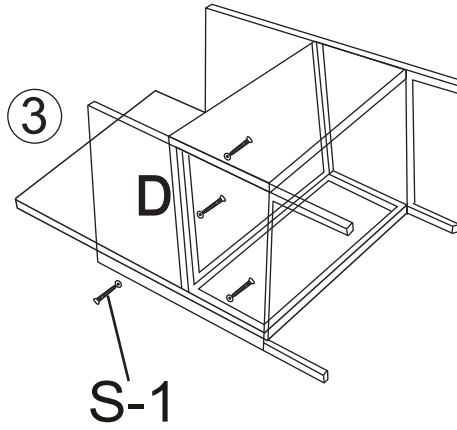
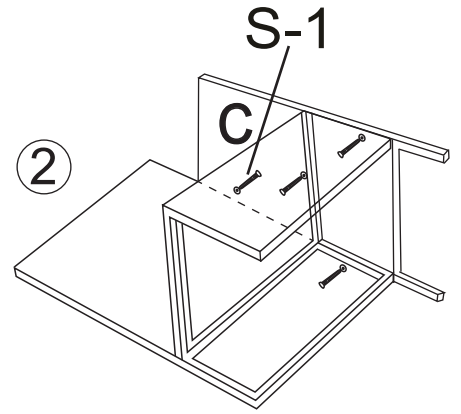
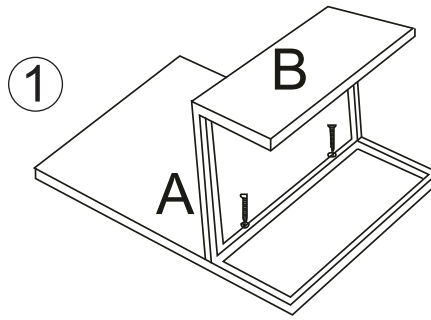
5. If any instability occurs, loosen the screws, re-align the components as necessary and re-tighten the screws evenly.

6. This item is not a climbing frame or toy.

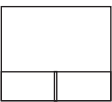






7. Danger of suffocation. Keep out of reach of children.

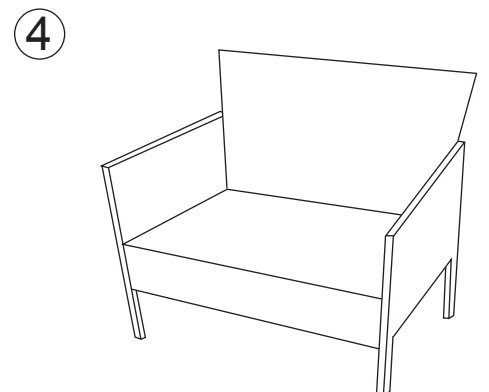
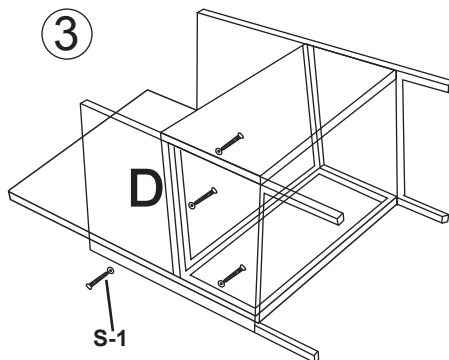
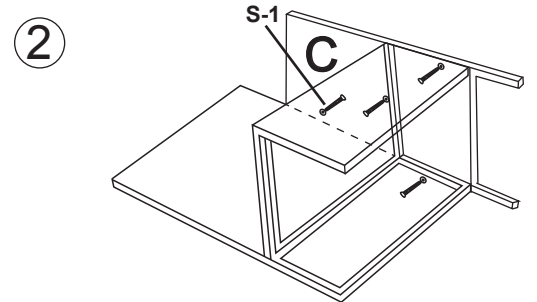
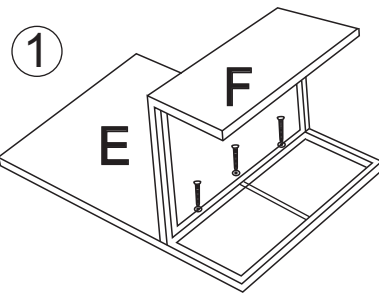
## Single Chair×2

A		1PC*2
B		1PC*2
C		1PC*2
D		1PC*2
S	 M6*40mm	8PCS*2
S-1	 M6*50mm	2PCS*2
W		1PC


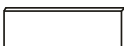


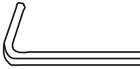


## Two-seater Chair

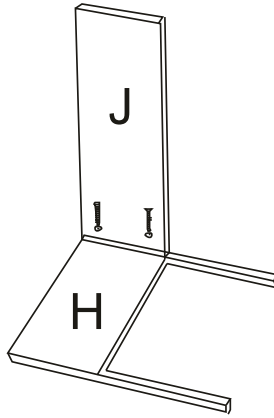
E		1PC
F		1PC
C		1PC
D		1PC
S	 M6*40mm	9PCS
S-1	 M6*50mm	2PCS
W		



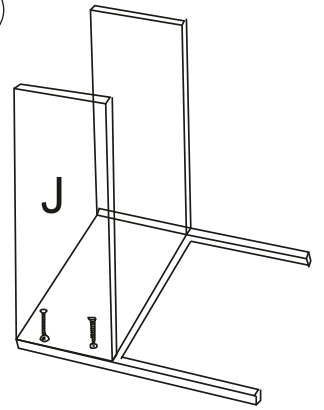
# Table

H		2PCS
J		2PCS
K		1PC
S	 M6*40	8PCS
W		

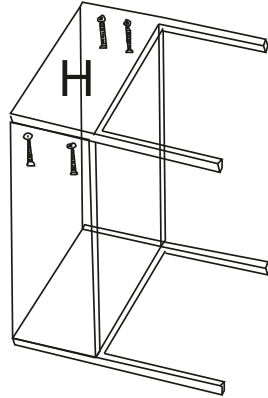
①



②



③



④

