

INSTALLATION

Product Manual



IMPORTANT INFORMATION!

please read the entire manual before starting to assemble and/or using this product. follow the manual thoroughly and keep it for further reference.



AVOID SCRATCHES!

In order to avoid scratching this furniture should be assembled on a soft layer- could be a rug.



IMPROVE EFFICIENCY !

Try to find a partner to install with you, which can speed up the installation efficiency and shorten the time.



ANTI-TOPPLE WARNING !

Overturnd furniture can cause serious or fatal crush injuries. To prevent tipping over, be sure to use the wall attachment, if not included with this product. Please purchase the wall attachment that fit your wall. If unsure, seek professional advice. Please read and follow each step of the instructions carefully.

IMPORTANT !

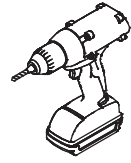
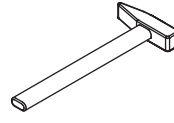
It is important that any product which is assembled using any kind of screw is re-tightened 2 weeks after assembly, and once every 3 months - in order to assure stability through-out the lifespan of the product.

For regular maintenance and cleaning of the product, for the frame, please use a rag dipped in neutral detergent to fully wipe it, and then dry it with a clean rag. For glass materials, wipe with a rag dampened with water glass cleaner, and then dry with a dry rag.

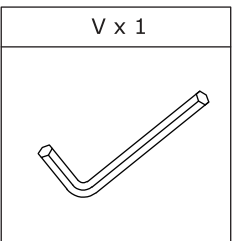
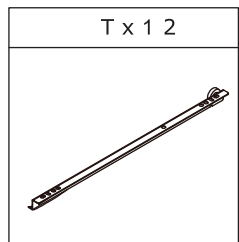
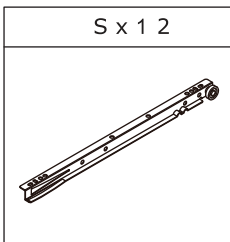
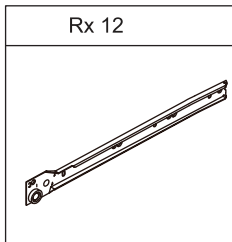
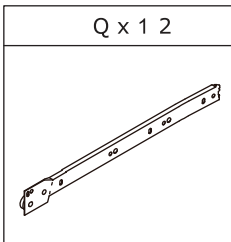
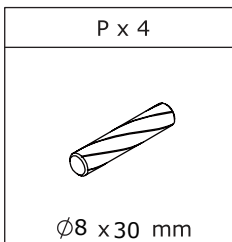
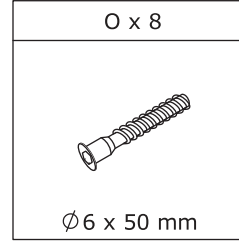
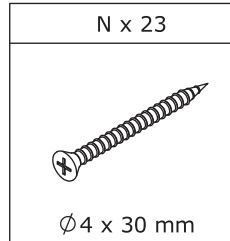
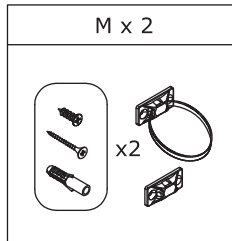
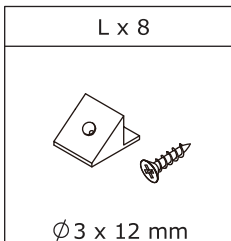
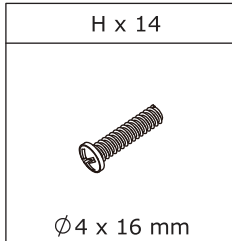
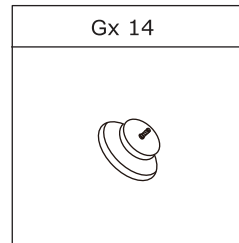
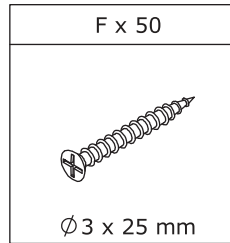
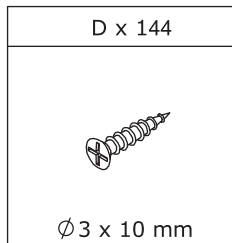
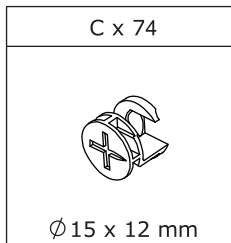
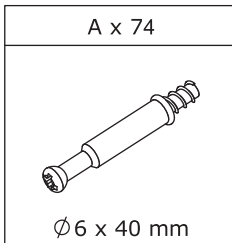
Do not use an electric screwdriver, and do not use too much force when installing, because the board is easy to break.

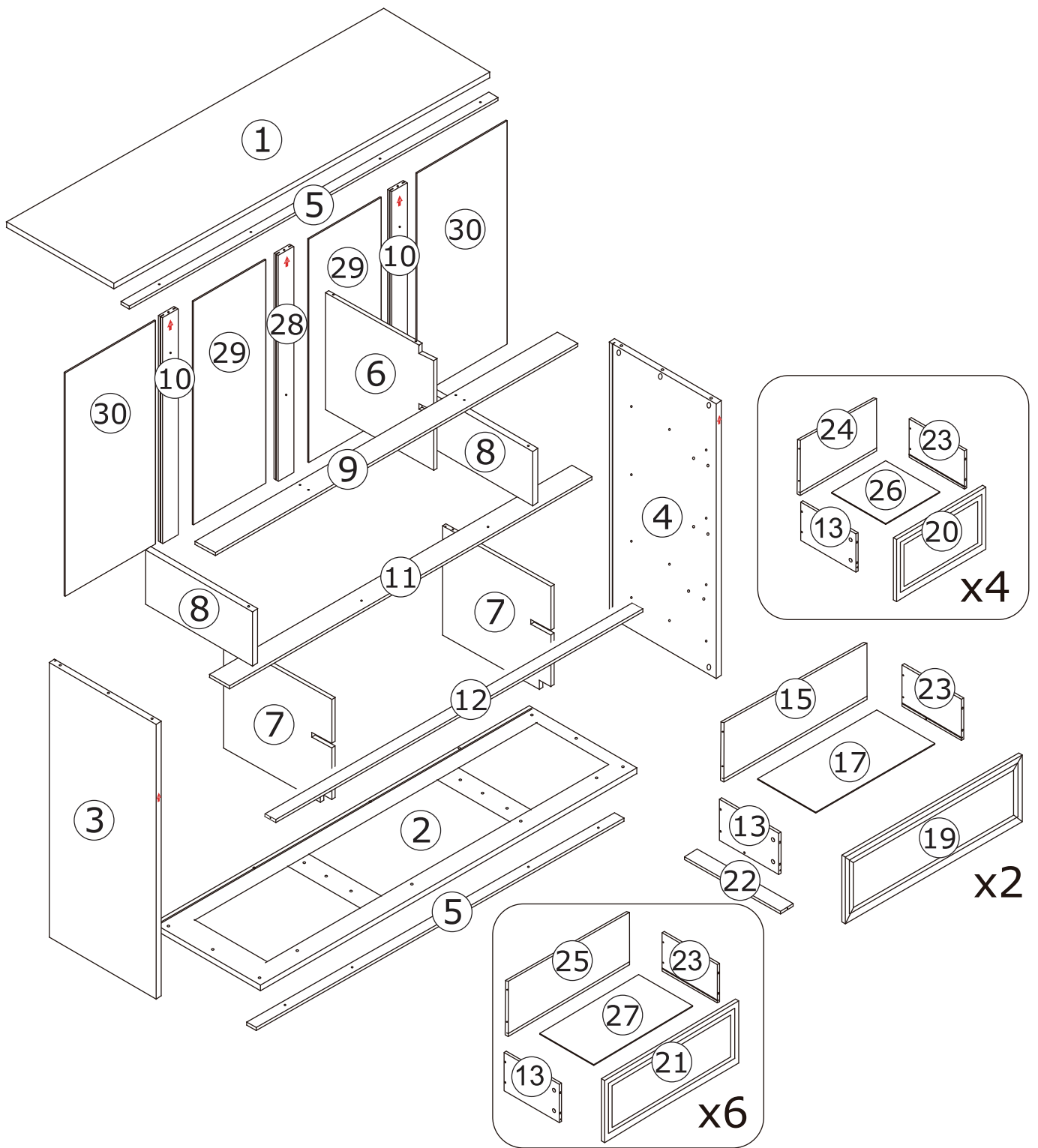


Please prepare the following tools



When installing, please carefully confirm whether each screw corresponds to the manual, accessories with similar shapes can be distinguished by size





⚠ WARNING



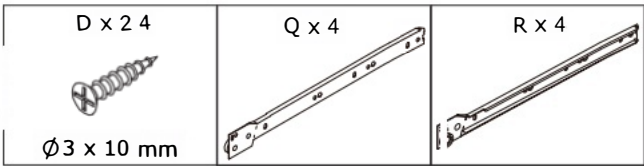
Children have died from furniture tipover. To reduce the risk of furniture tipover:

- ALWAYS install Anti-tip device provided.
- NEVER put a TV on this product.
- NEVER allow children to stand, climb or hang on drawers, doors, or shelves.
- NEVER open more than one drawer at a time.
- Place heaviest items in the lowest drawers.

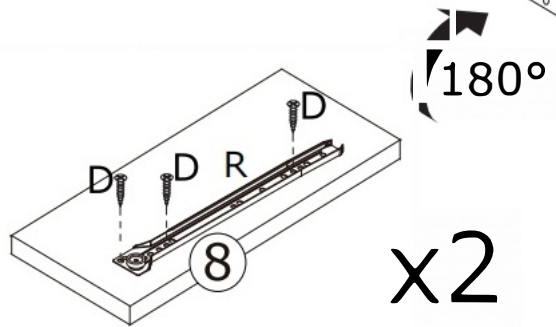
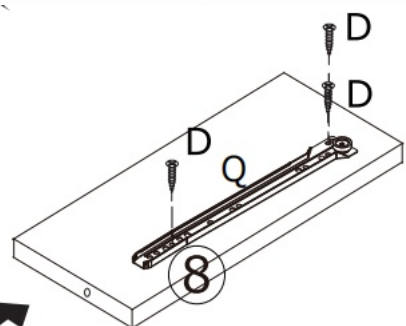
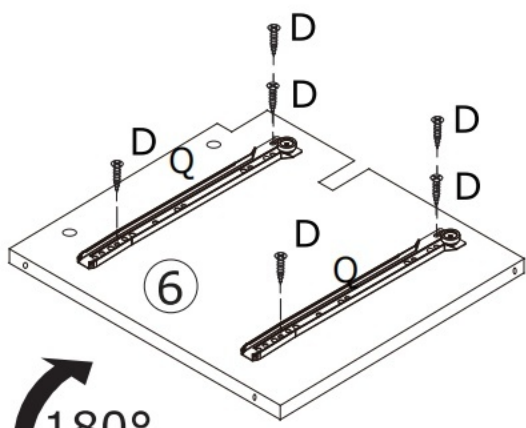
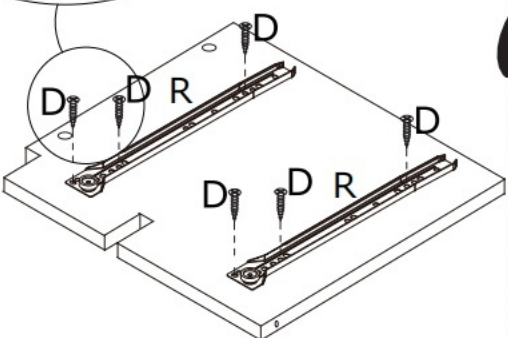
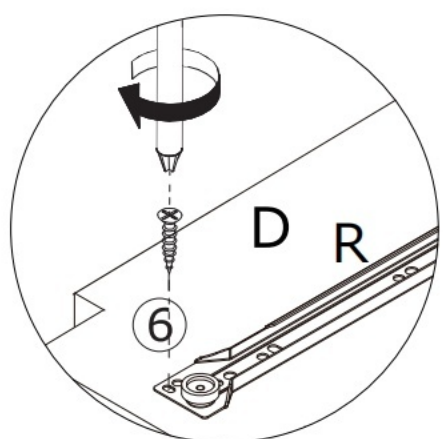
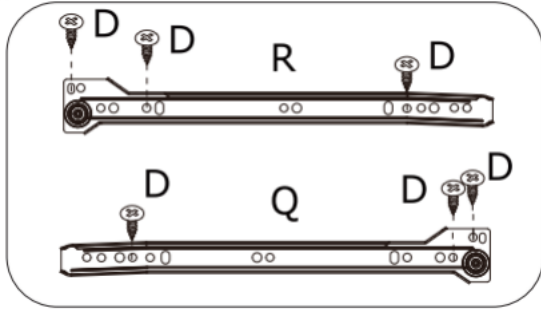
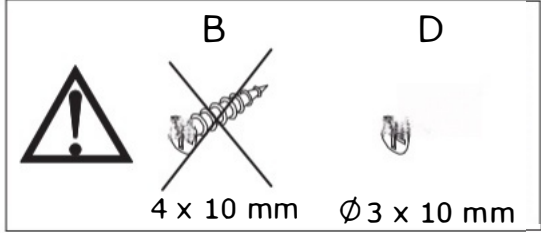
*This is a permanent label.
Do not remove!*



1

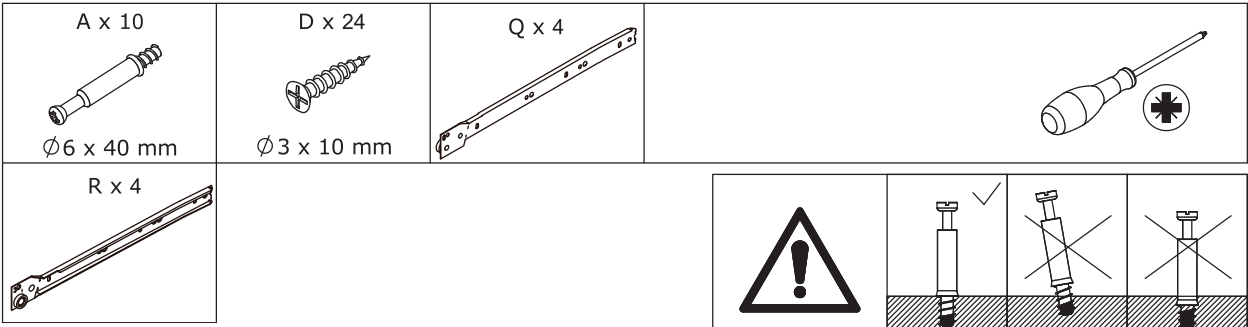


Fix slide rail(R) and rail (Q) to board 6 and 8 with screw (D) as shown.

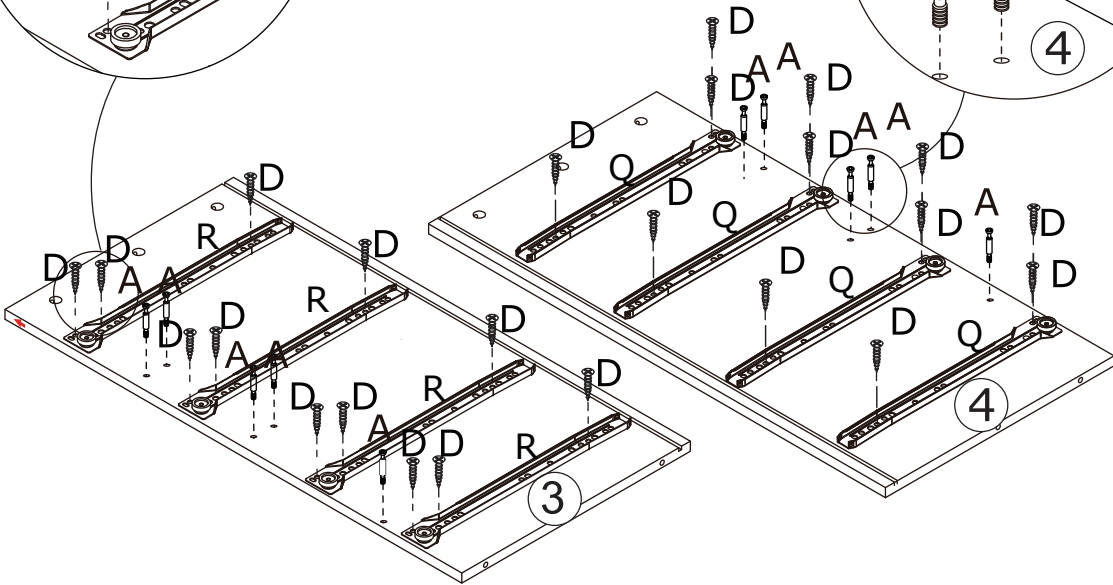
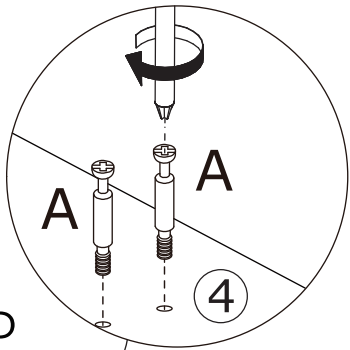
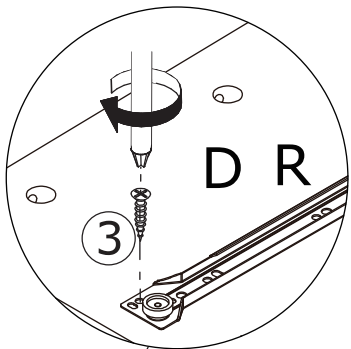
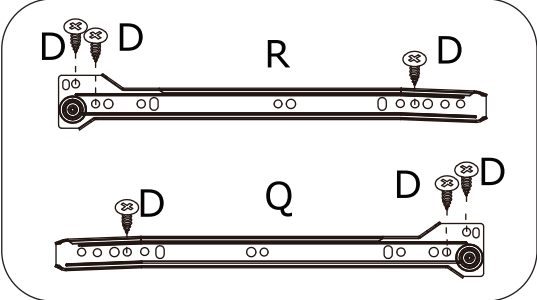
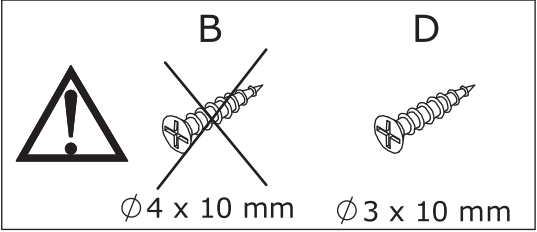


x2

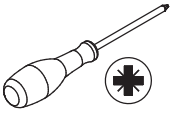
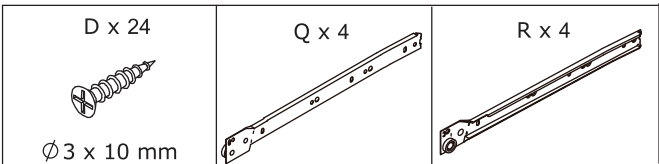
2



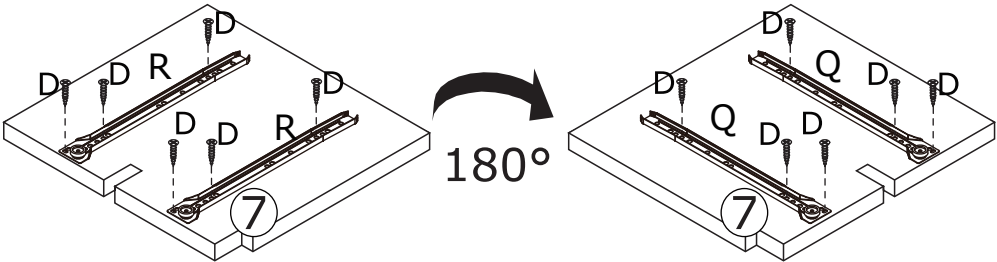
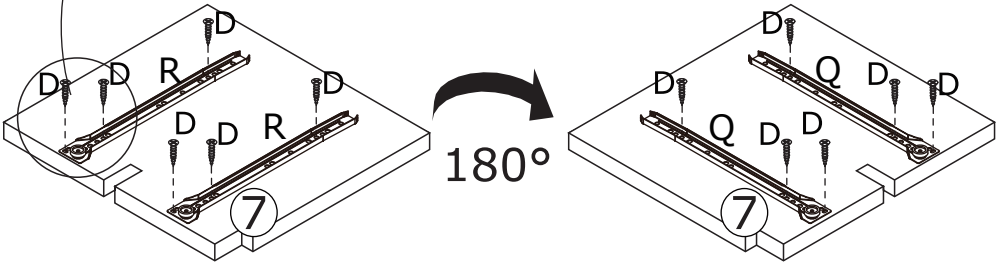
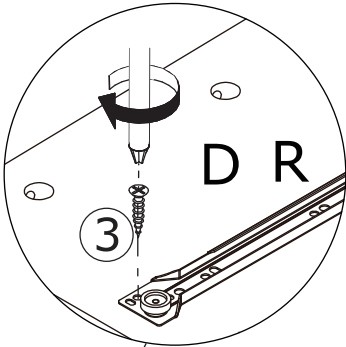
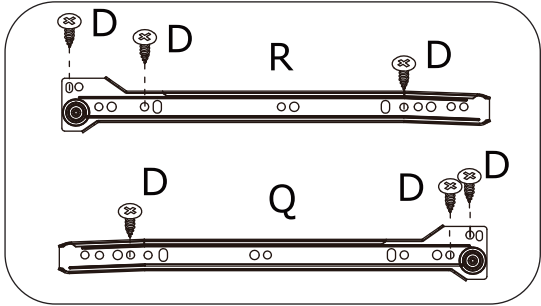
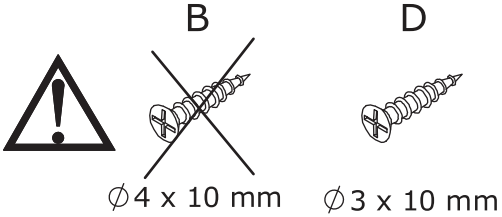
Fix slide rail(R) and (Q) to board 3 and 4 with screw(D) as shown.



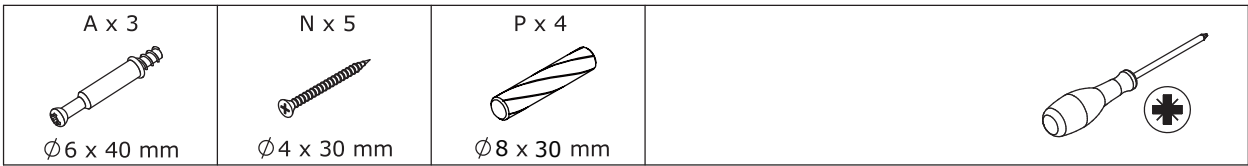
3



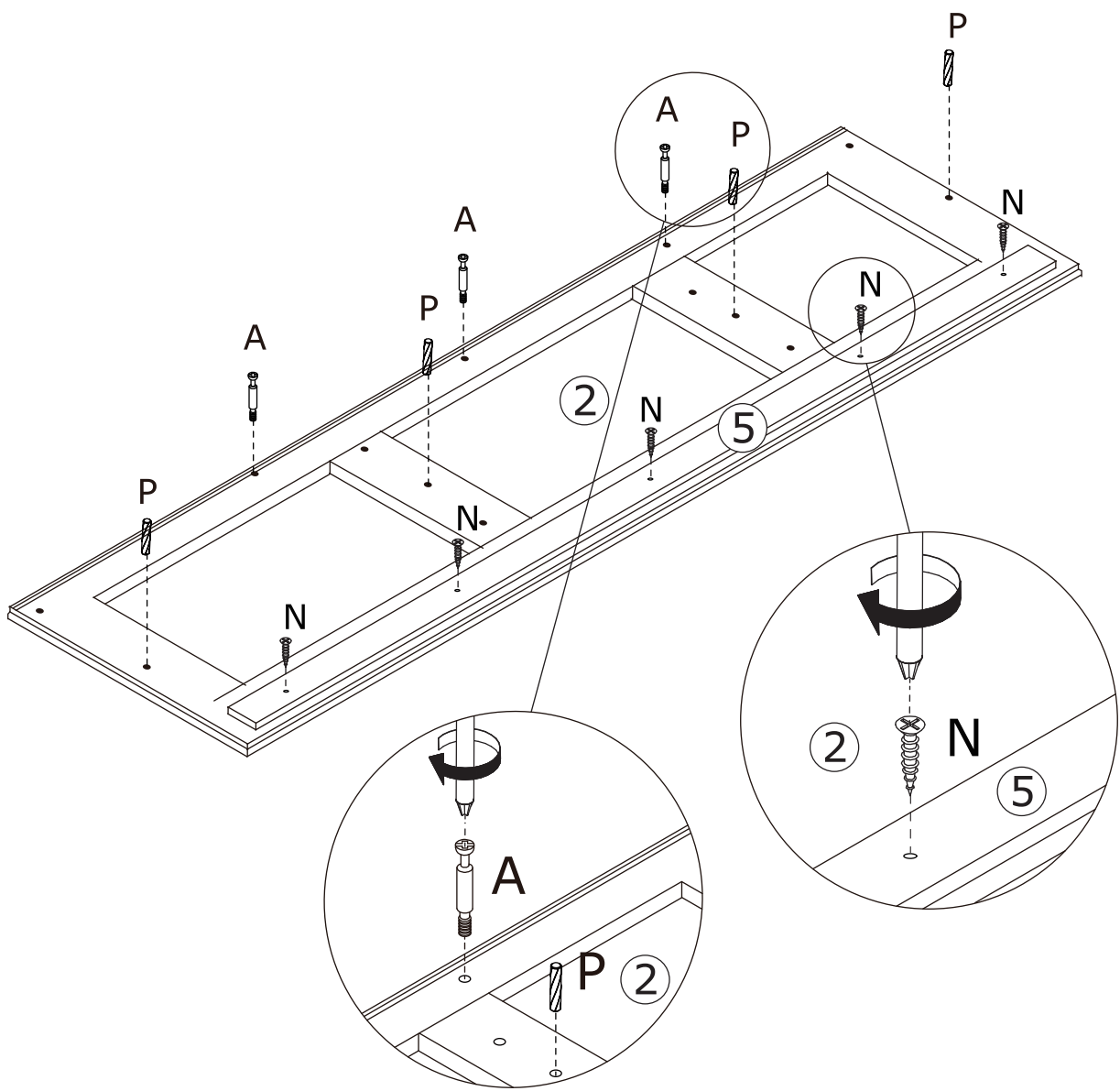
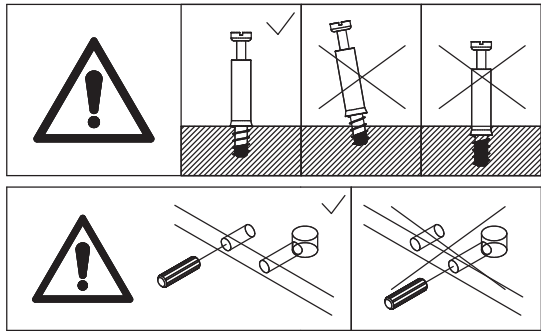
Fix rail(R) to board 7 with screw(D), **flip the boards to back**, fix rail(Q) as well.



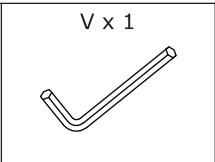
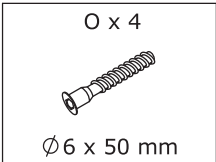
4



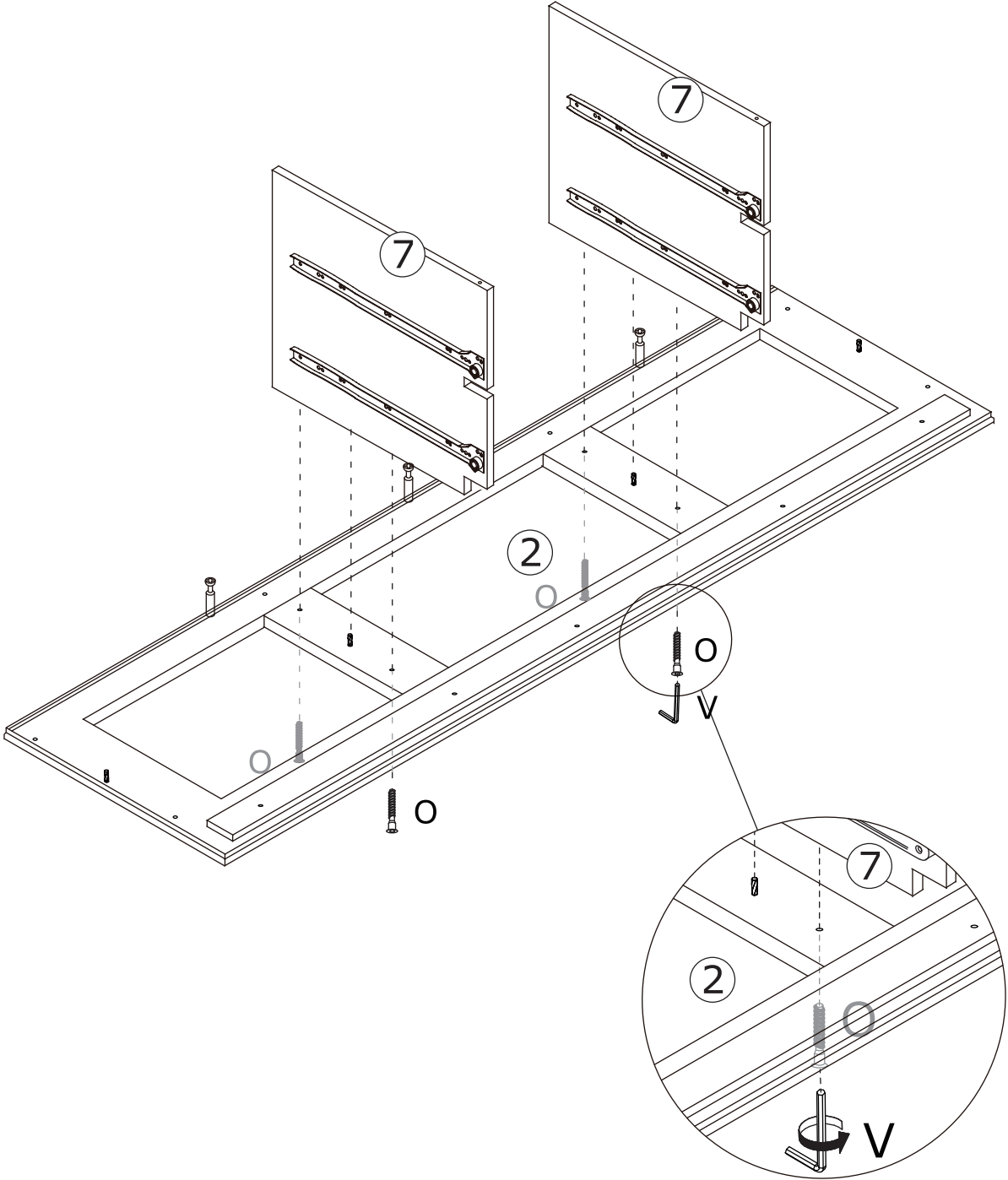
Screw eccentric rod(A) and insert wooden dowel (P) into board 2 as shown. Fix board 5 to board 2 with screw(N) as shown.




5

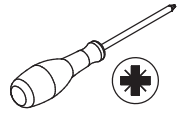


Fix board 7 to board 2 with screw (O) as shown.

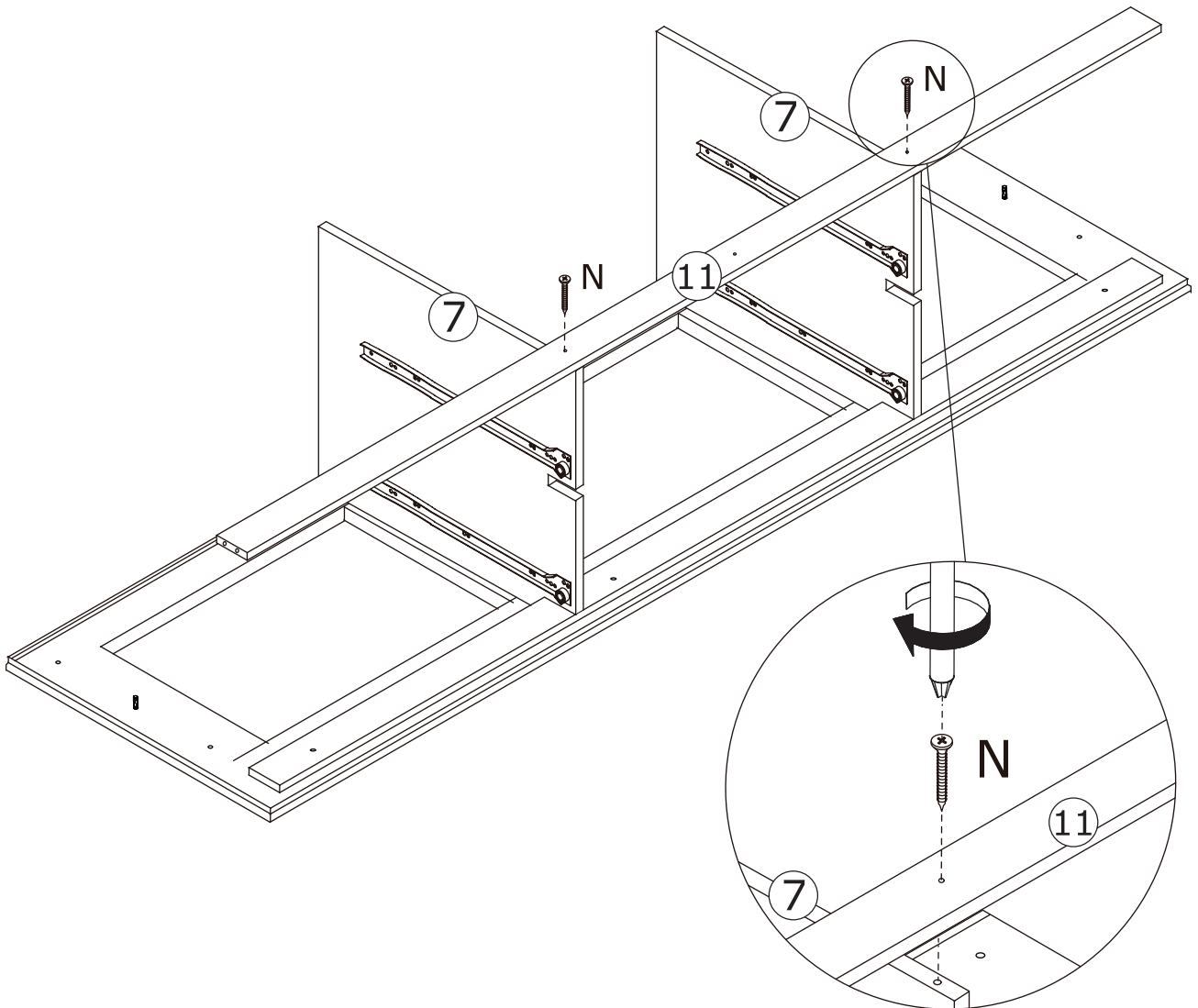


6

N x 2

Ø4 x 30 mm

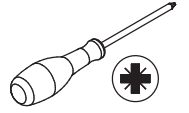


Fix board 11 to board 7 with screw(N) as shown.

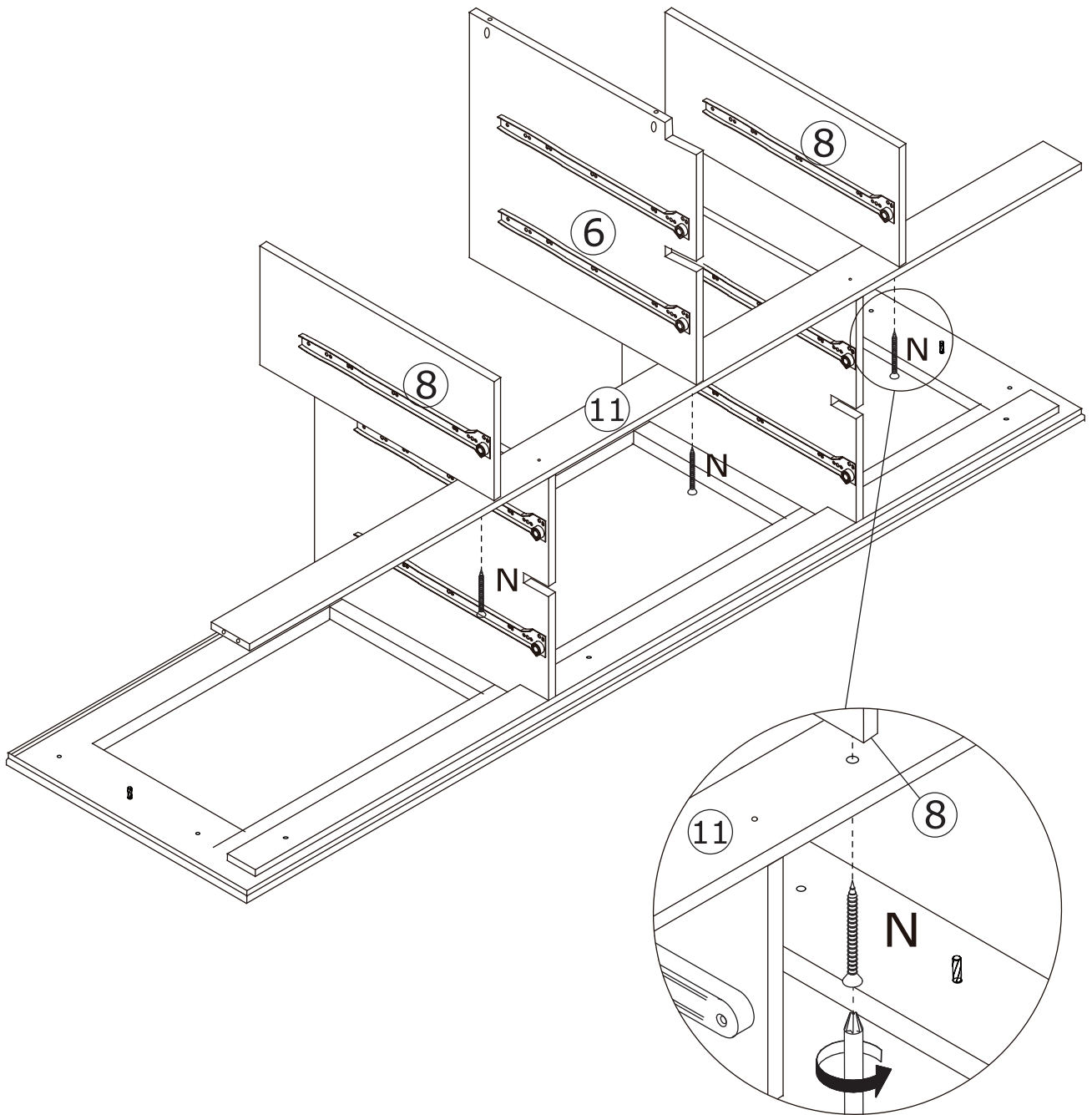


7


N x 3
Ø4 x 30 mm

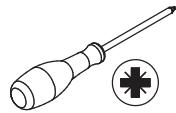


Fix board 8 and 6 to board 11 with screw(N) as shown.

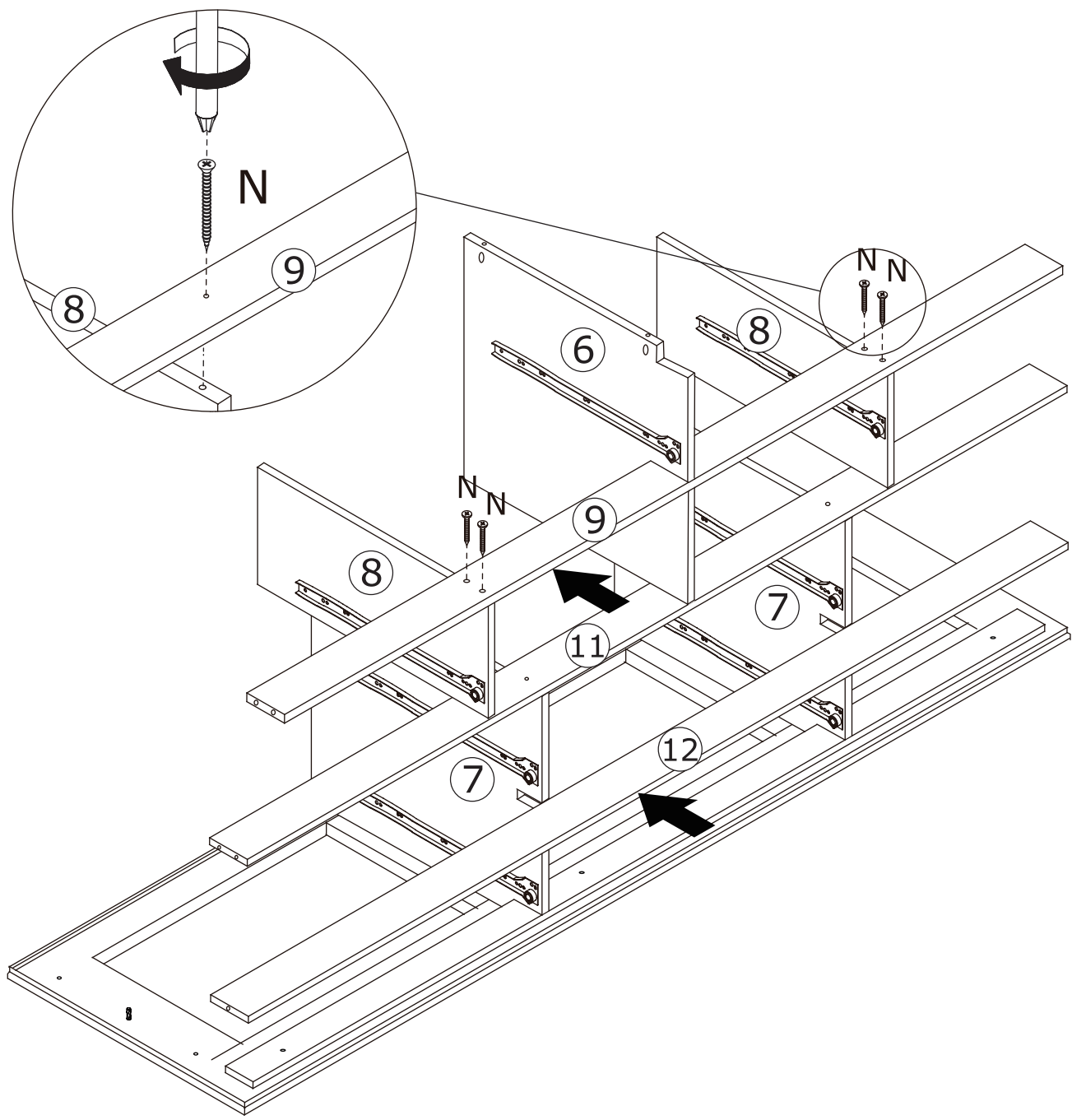


8

N x 4

Ø4 x 30 mm



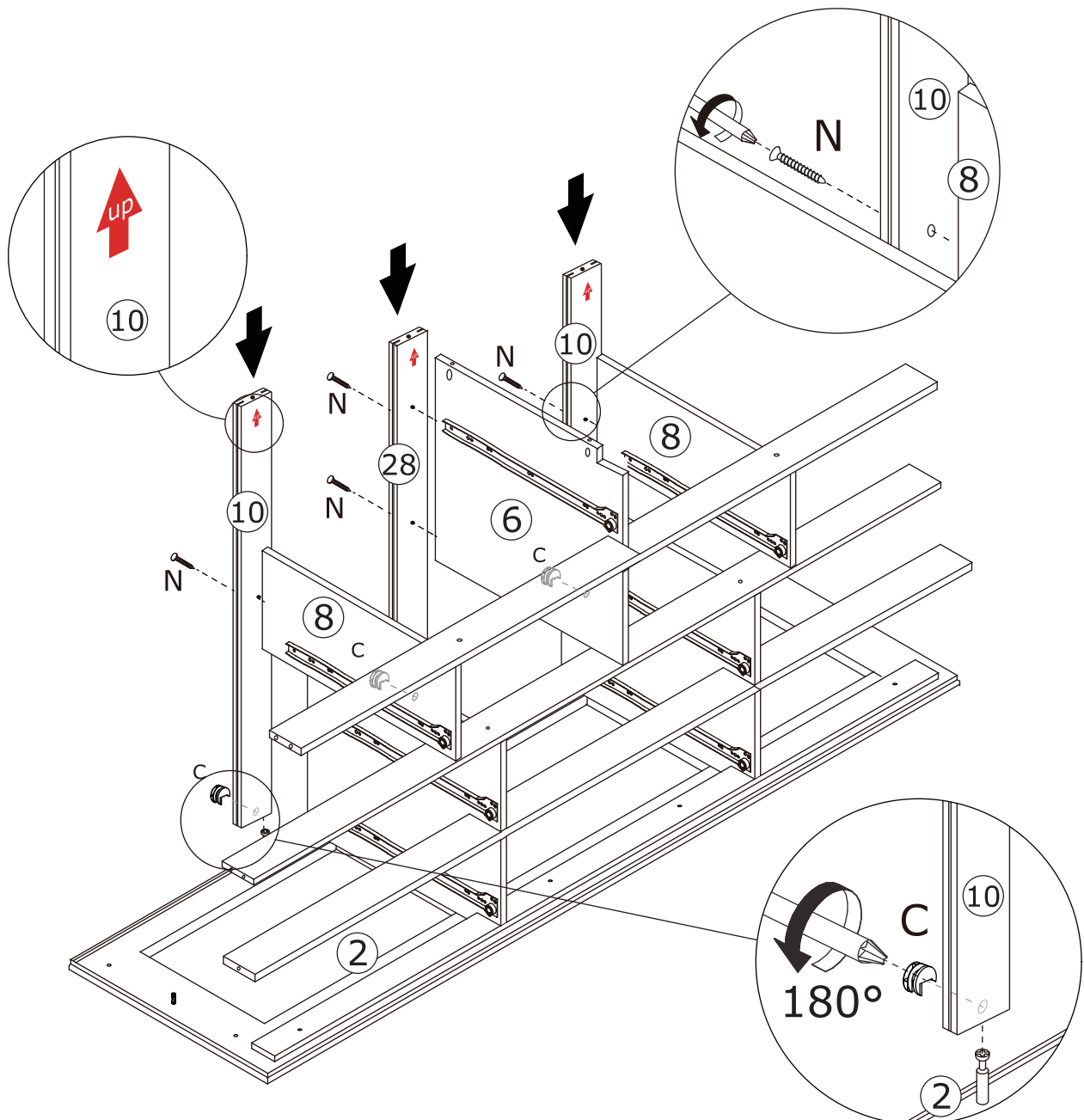
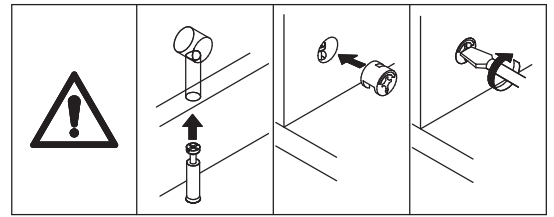
Embed board 9 and 12 into the slots at first.
Fix board 9 to board 8 with screw (N) as shown.



9

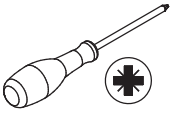


Attach board 10 and 28 to board 2, add cam lock(C) into holes in board 10,28 and turn clockwise to tighten as shown.
Fix board 10 to board 8, board 28 to board 6 with screw(N) as shown.

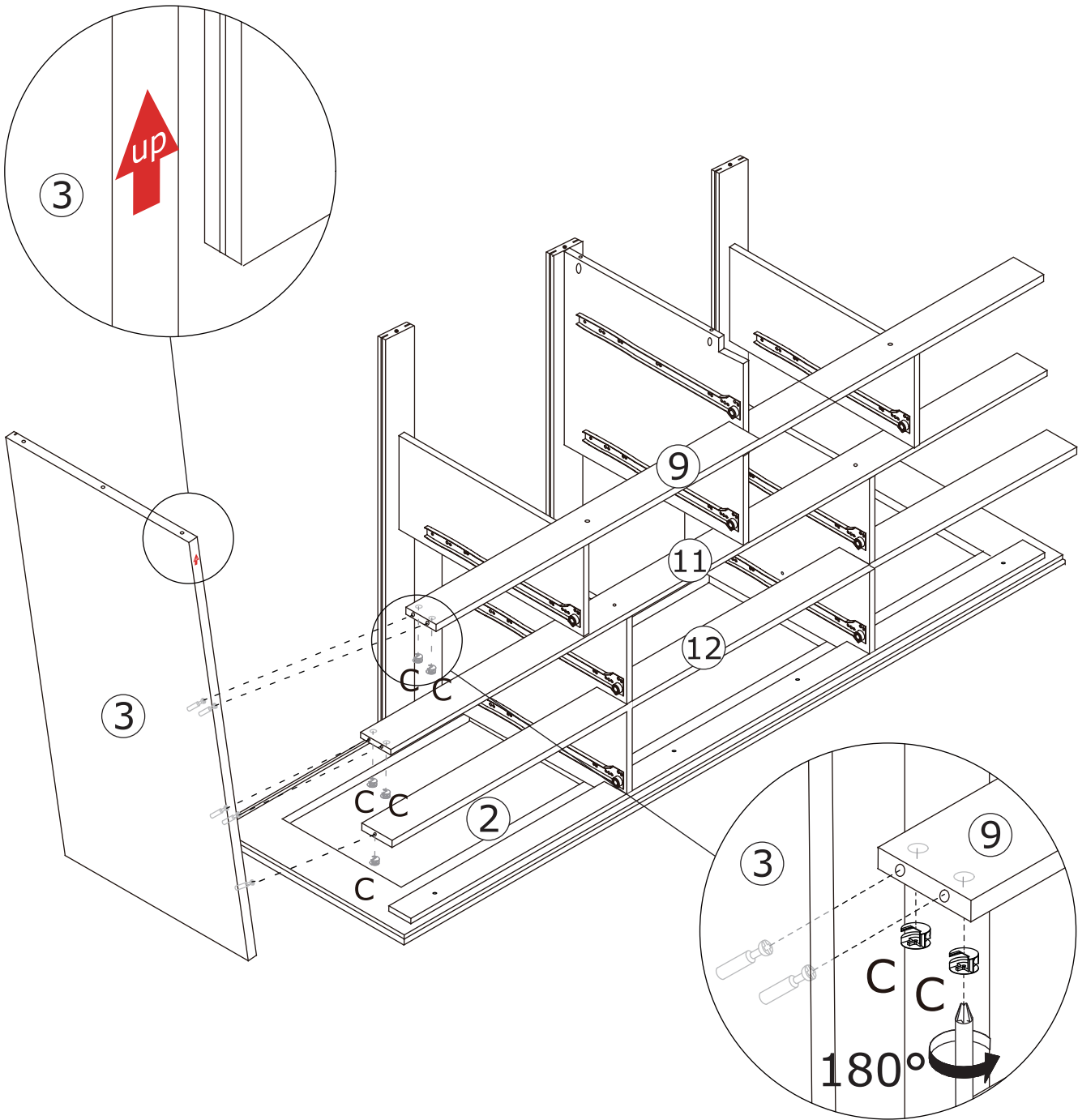
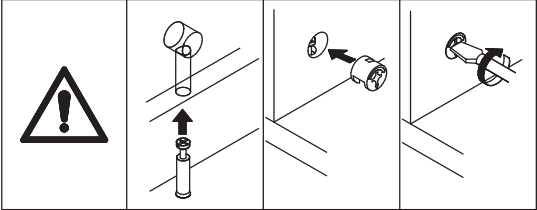


10

C x 5
Ø15 x 12 mm

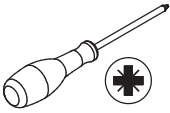


Attach board 3 to board 9, 11 and 12, add cam lock(C) into and turn clockwise to tighten as shown.

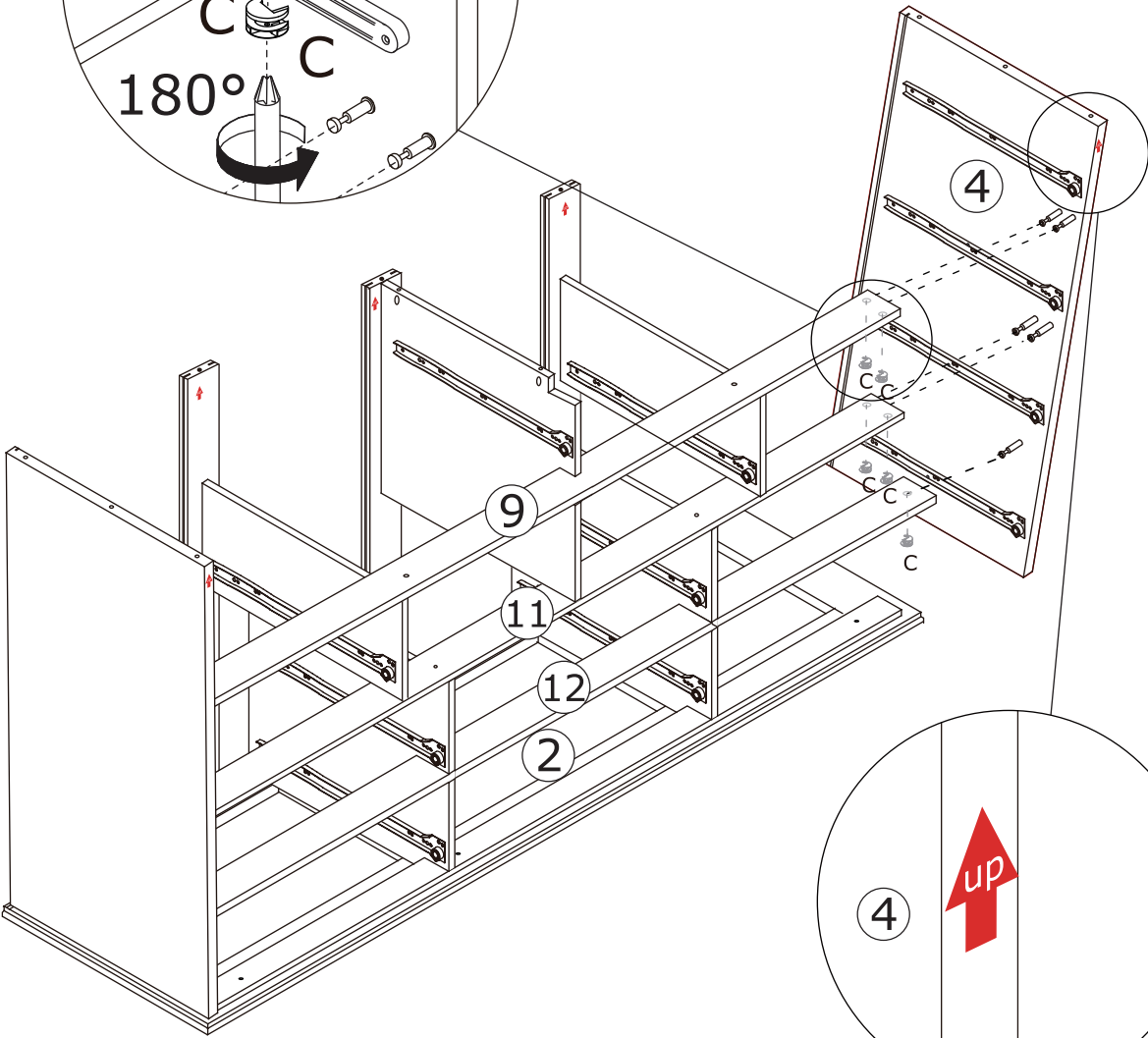
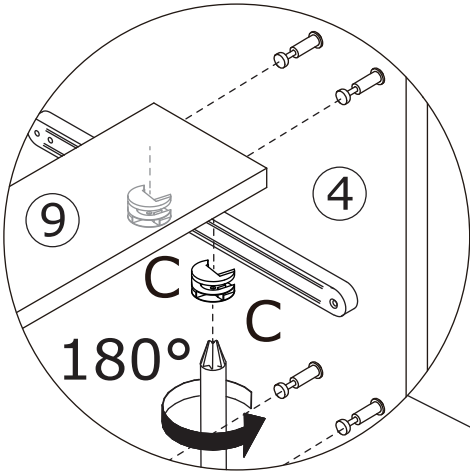
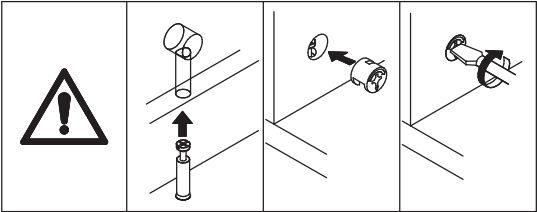


11

C x 5
Ø 15 x 12 mm



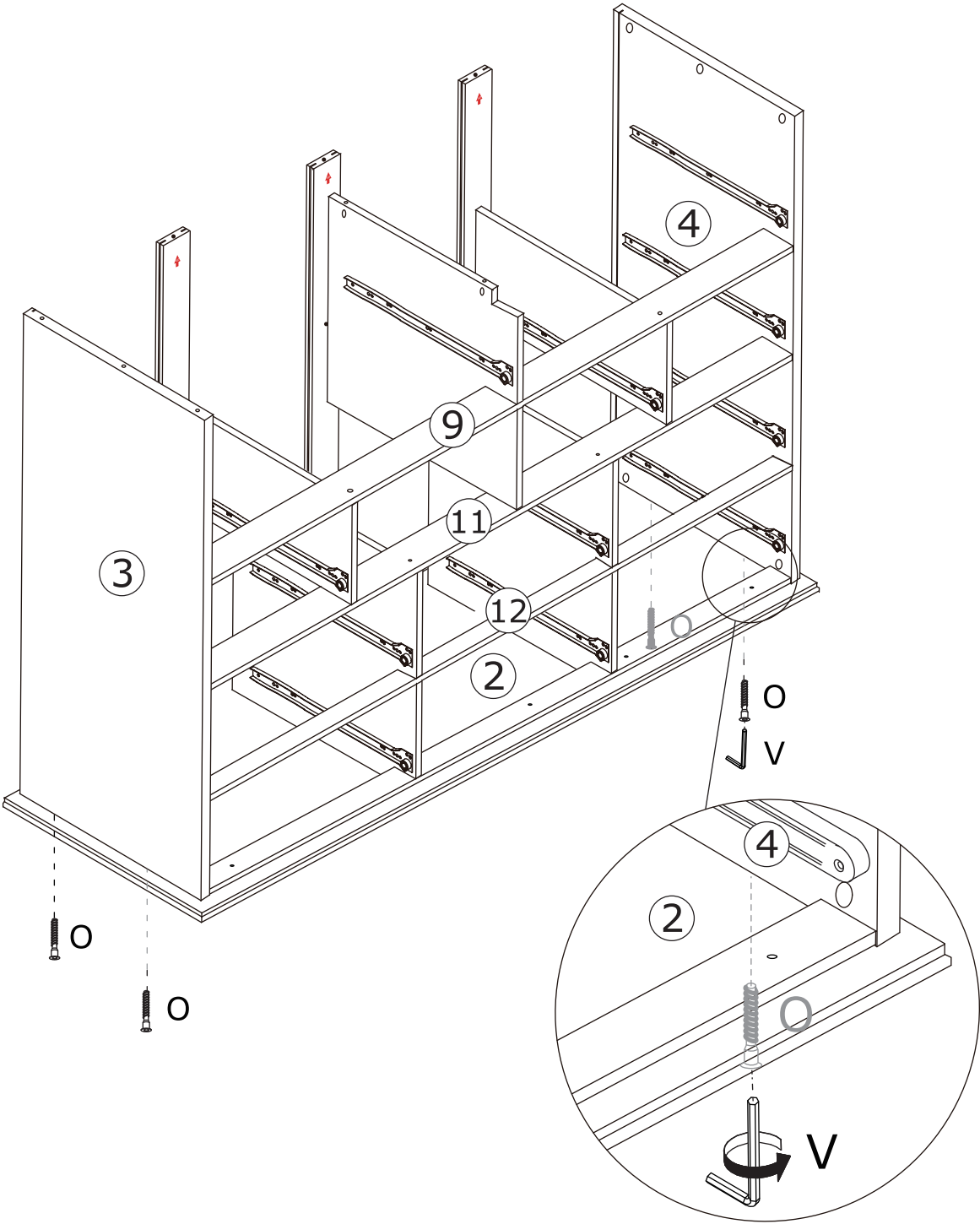
Attach board 4 to board 9, 11 and 12, add cam lock(C) into and turn clockwise to tighten as shown.



12

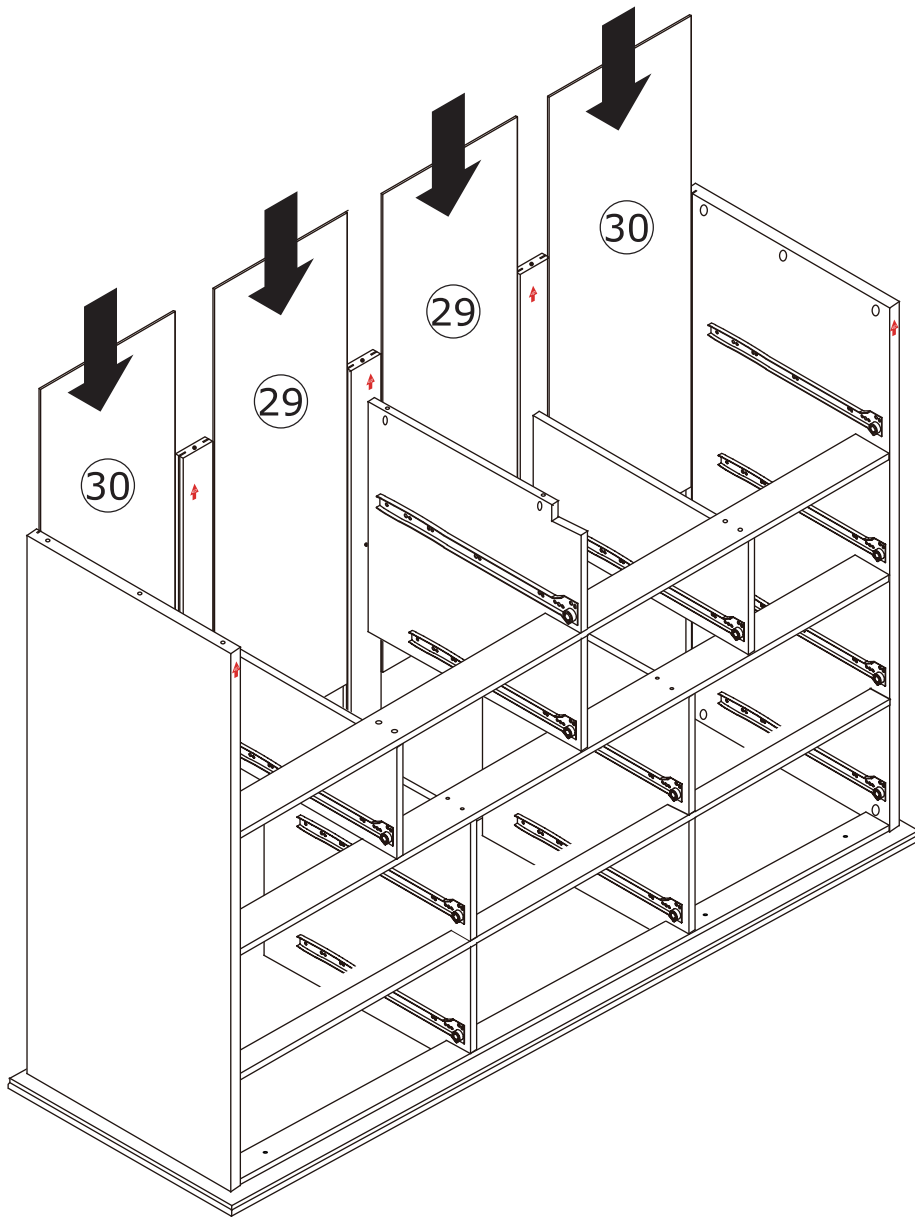
<p>O x 4</p>  <p>Ø 6 x 50 mm</p>	<p>V x 1</p> 	
---	--	--

Fix board 3 and 4 to board 2 with screw (O) as shown.

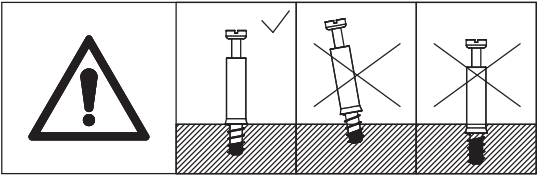


13

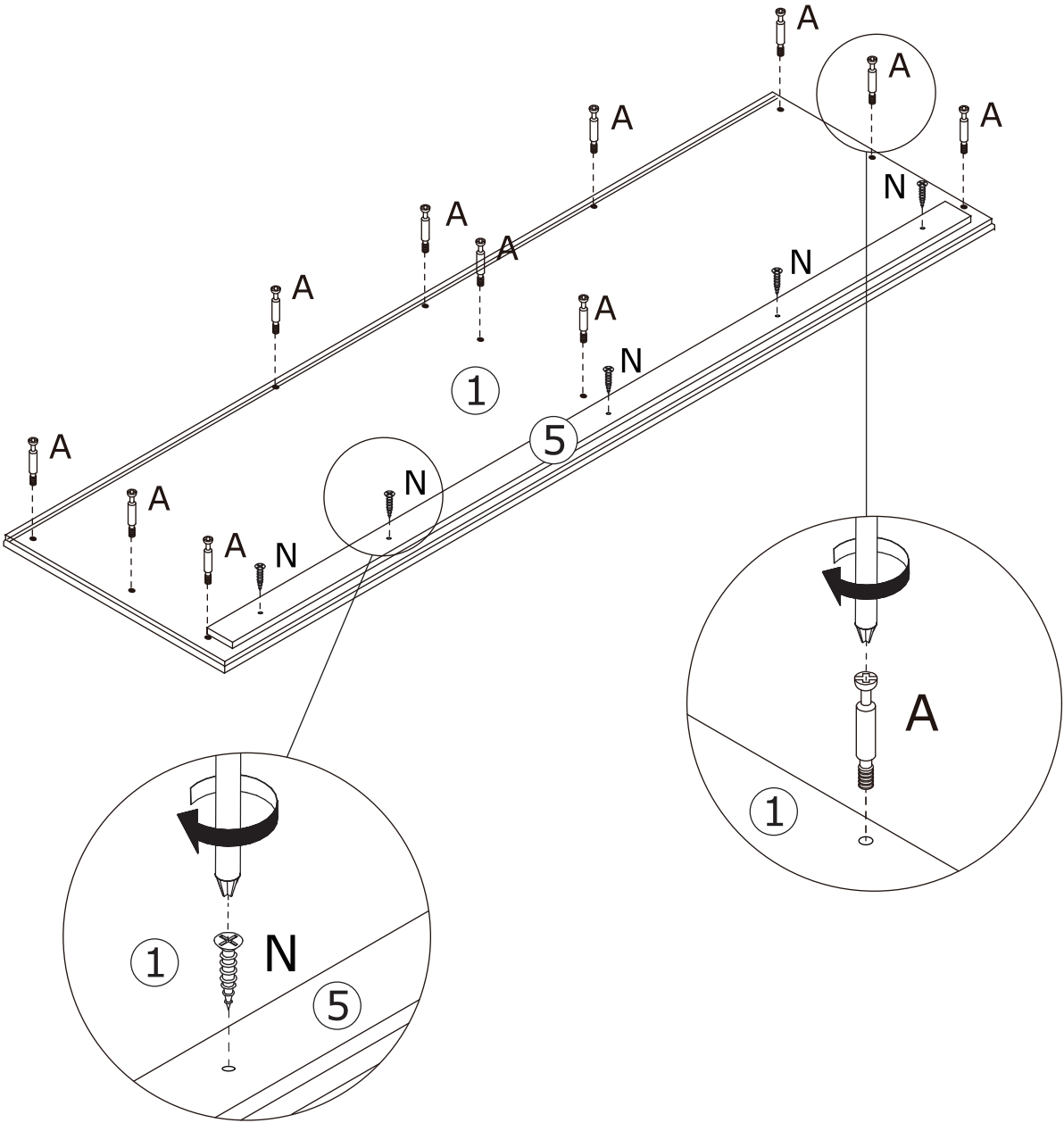
Insert back board 29 and 30 along available grooves as shown.



14

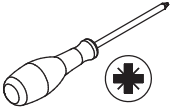


Screw eccentric rod(A) into board 1 as shown.
Fix board 5 to board 1 with screw(N) as shown.

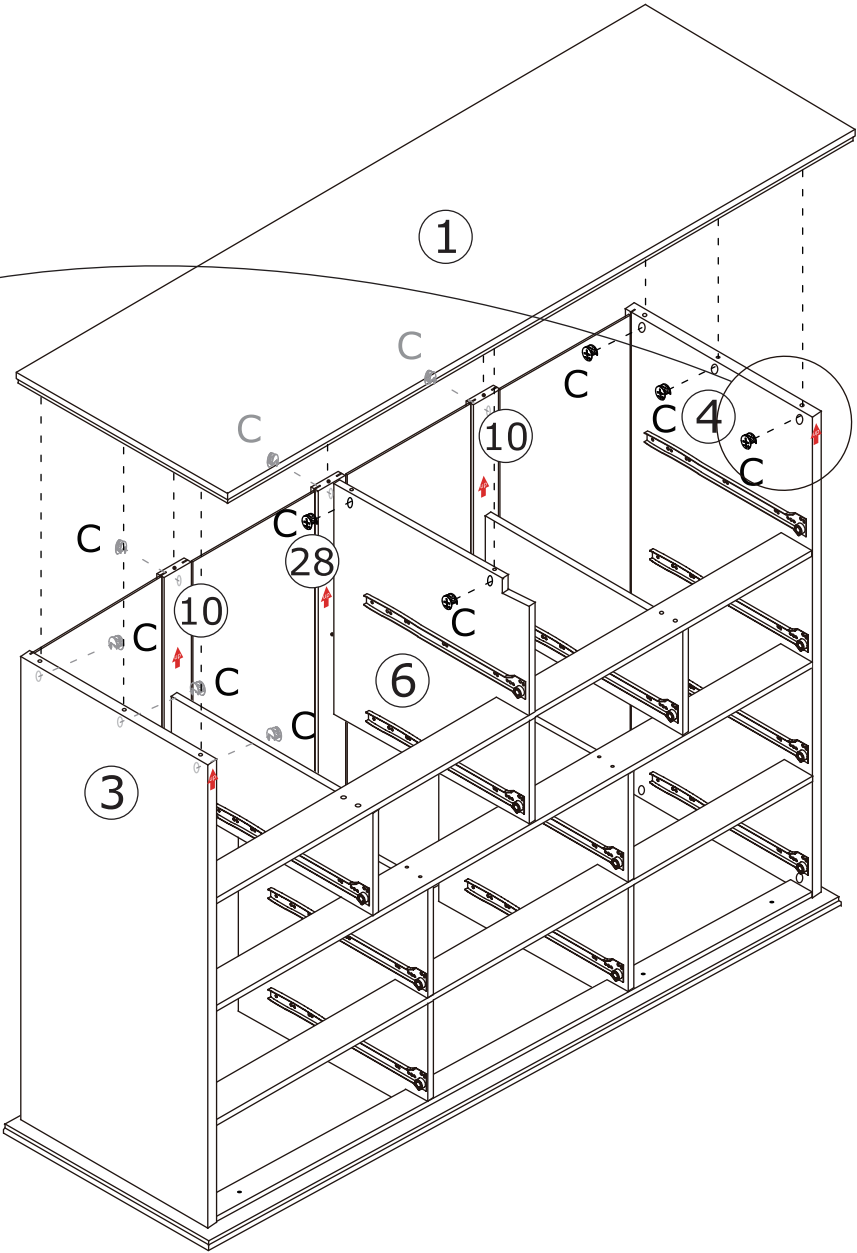
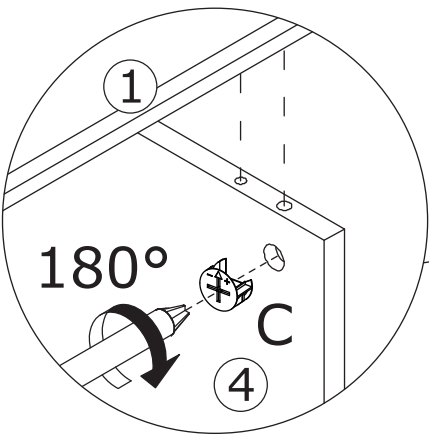
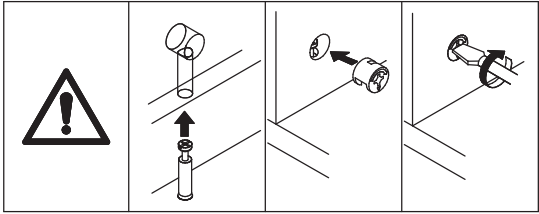


15

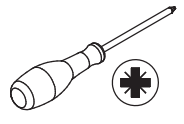
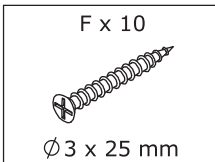
C x 11
Ø 15 x 12 mm



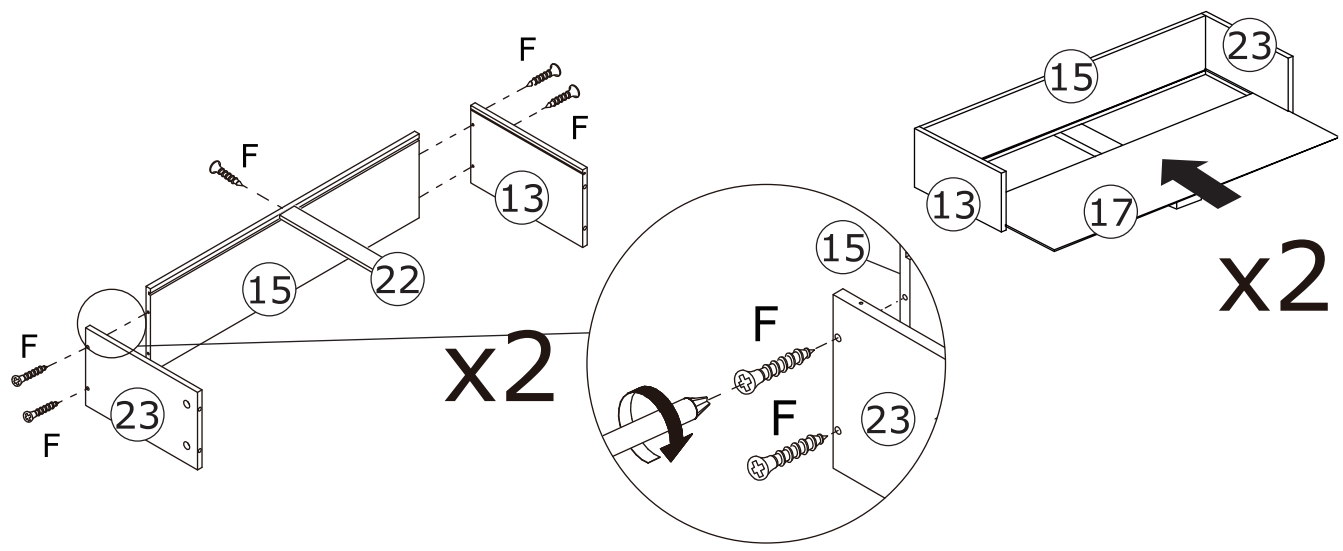
Cover board 1 to the top, add cam lock(C) into board 3,10,28,6,4 and turn clockwise to tighten as shown.



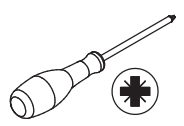
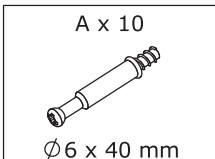
16



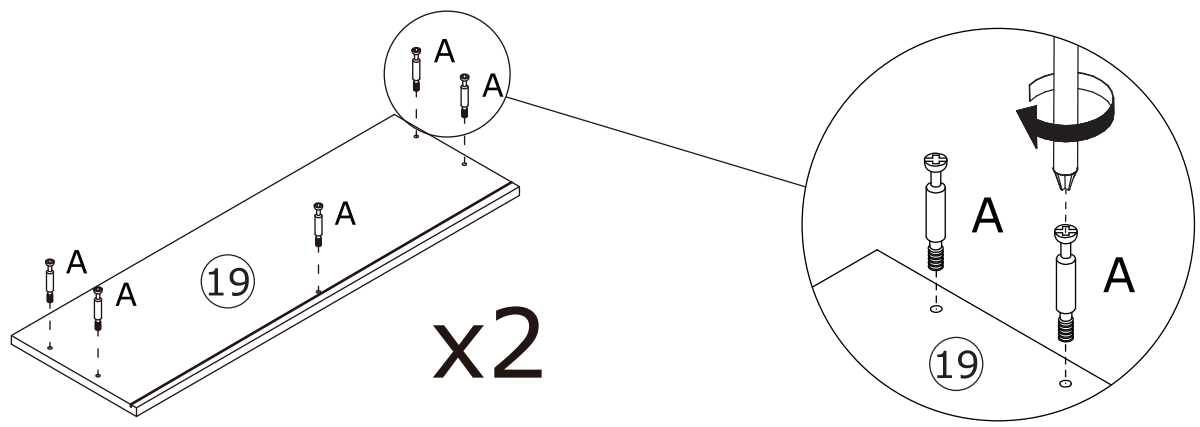
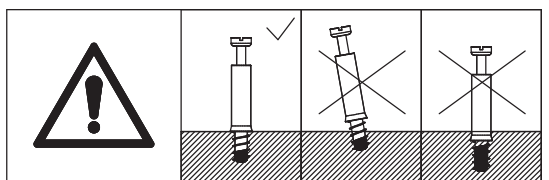
Fix board 15 to board 13, 22 and 23 with screw(F) as shown.
Insert bottom board 17 along grooves.






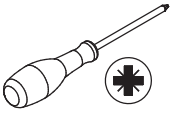
17

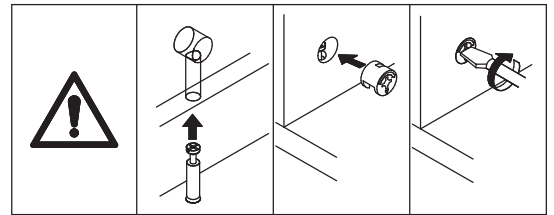


Screw eccentric rod (A) into board 19 at first.

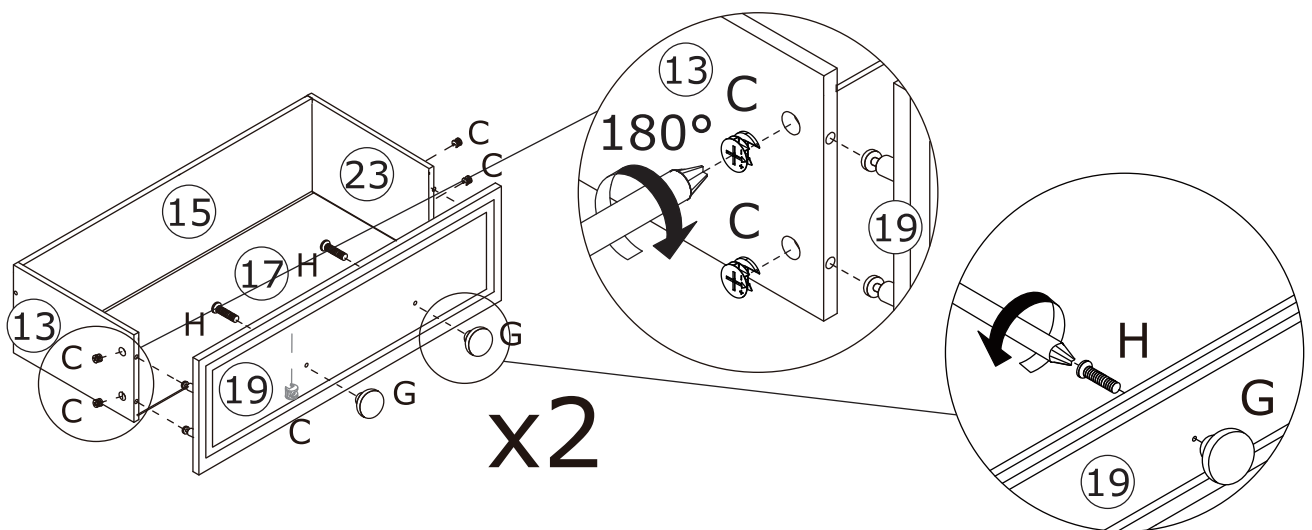


18

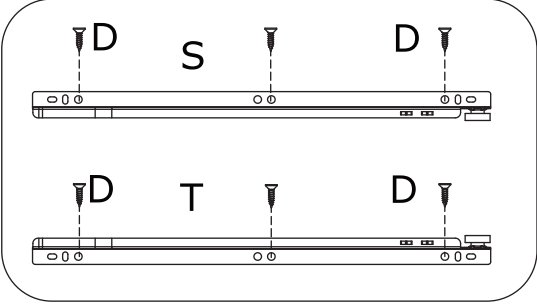
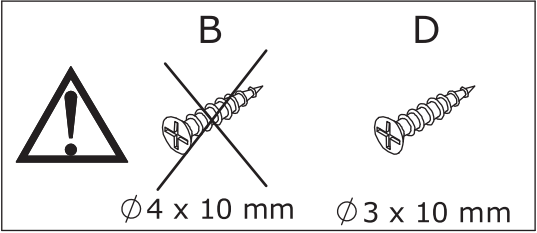
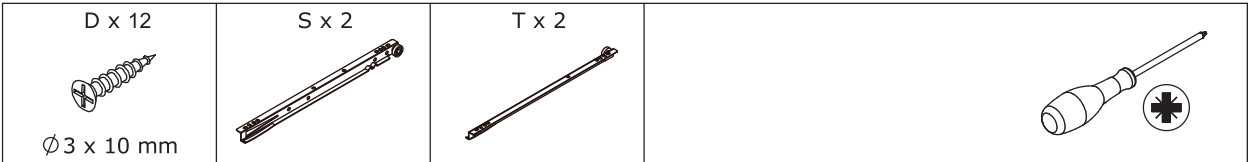
<p>C x 10</p>  <p>Ø 15 x 12 mm</p>	<p>G x 4</p> 	<p>H x 4</p>  <p>Ø 4 x 16 mm</p>	
---	--	---	---



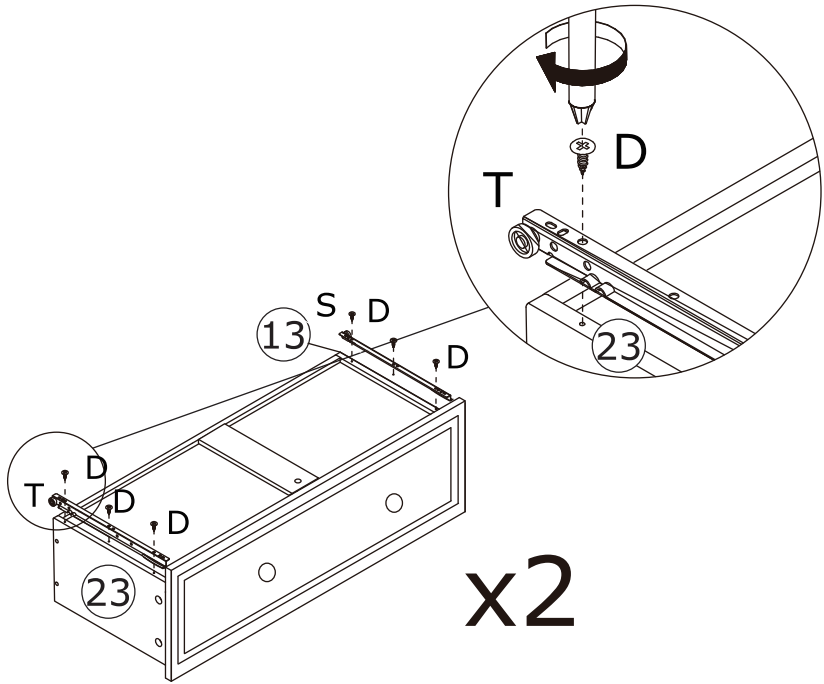
Attach board 13 and 23 to board 19, add cam lock(C) into and turn clockwise to tighten as shown.
Fix knob(G) to board 19 with screw(H) as shown.



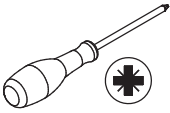
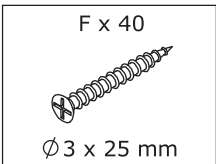
19



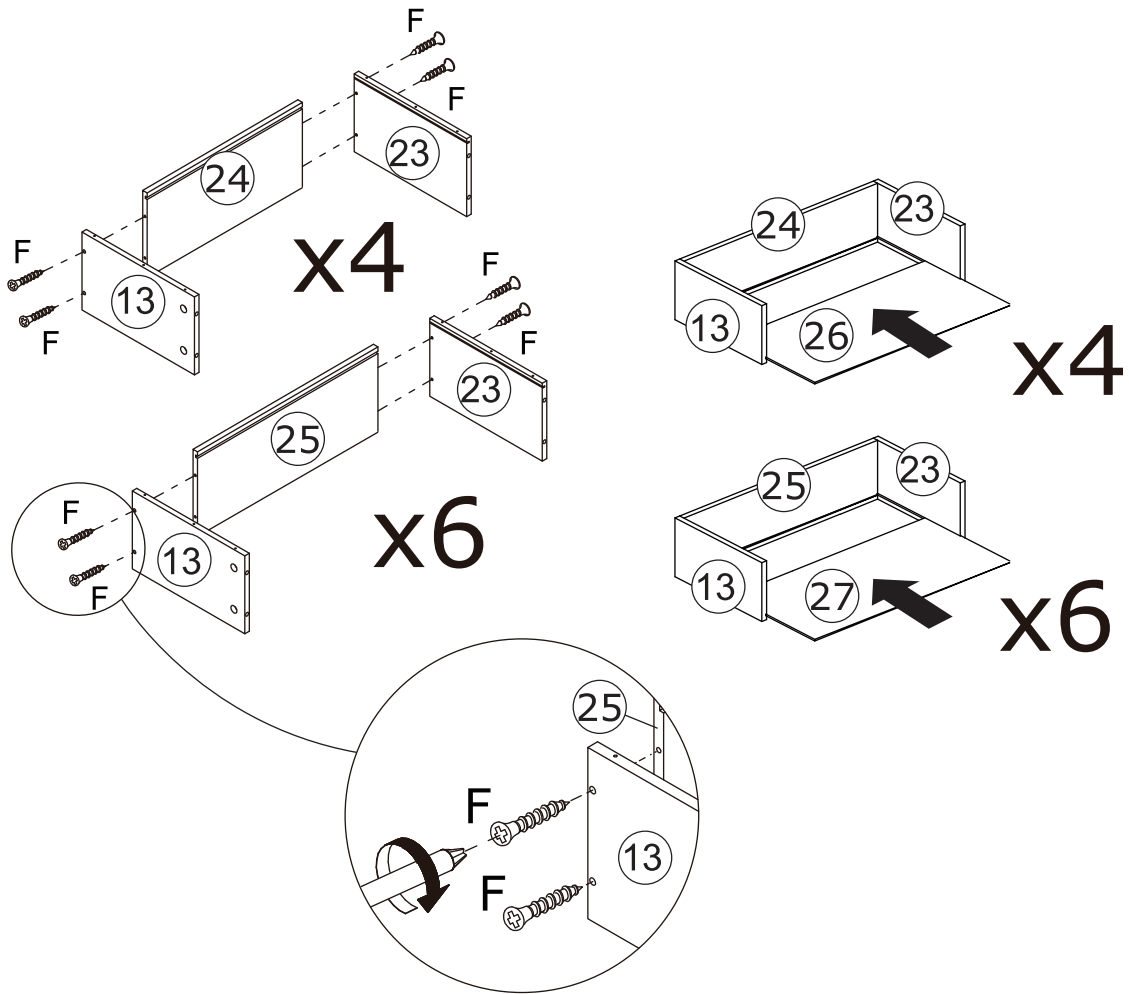
Fix runner(S) and (T) to board 13 and 23 with screw(D) as shown.



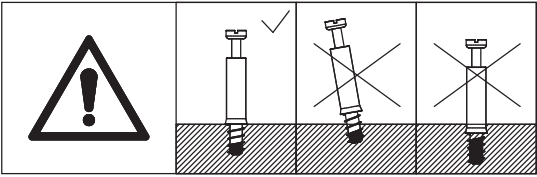
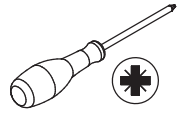
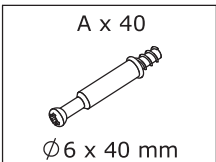
20



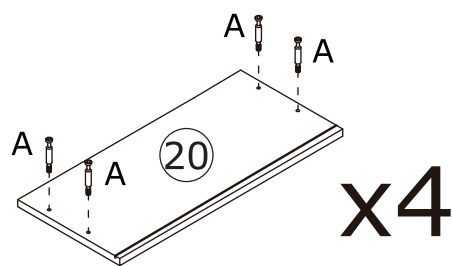
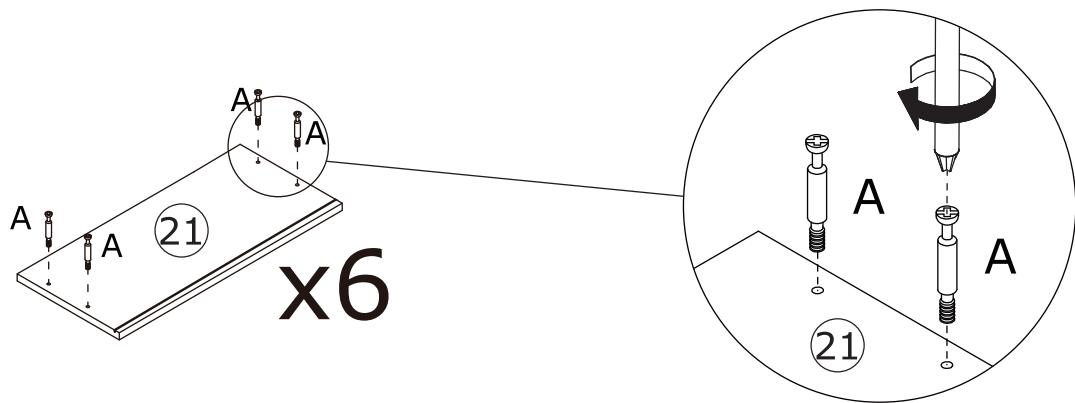
Fix board 24 to board 13 and 23 with screw(F), insert bottom board 26 along groove as shown.
Fix board 25 to board 13 and 23 with screw(F), insert bottom board 27 along groove as shown.






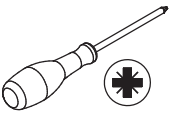
21



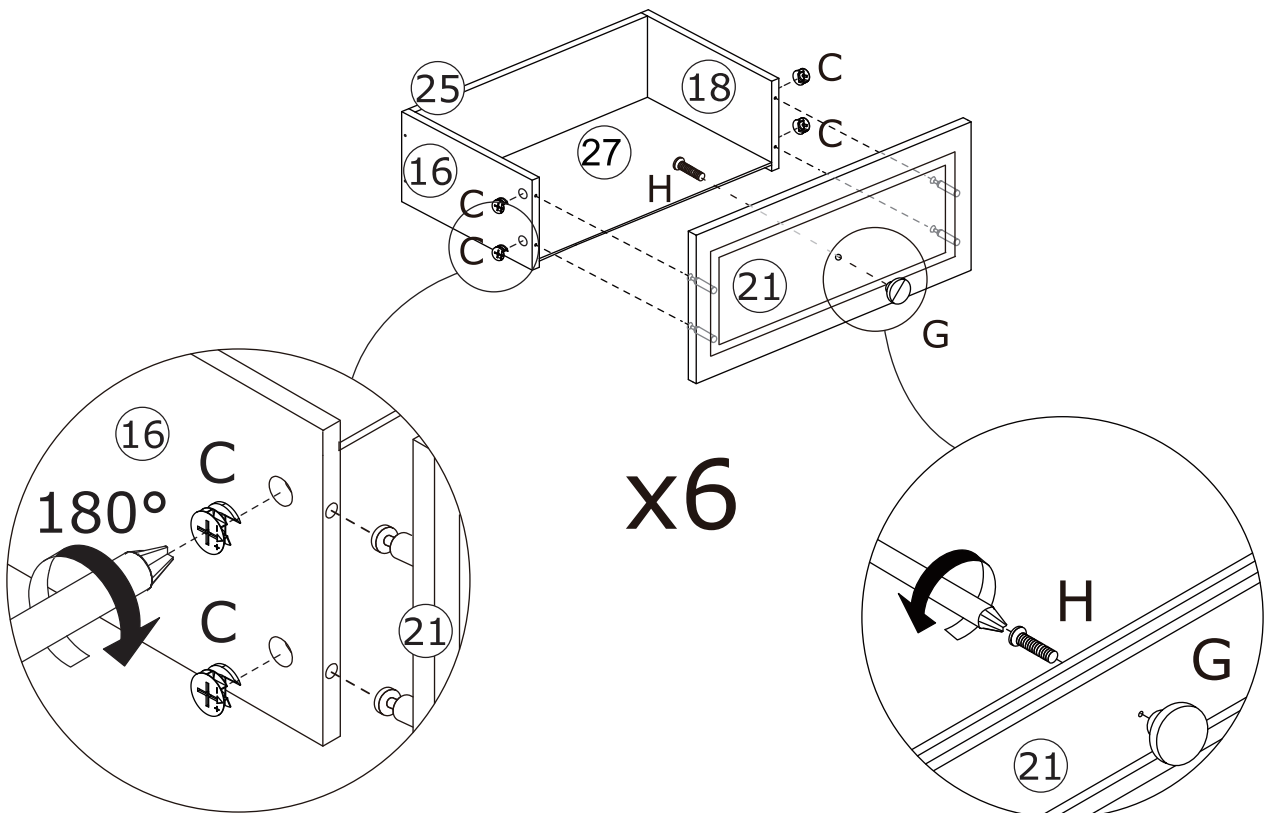
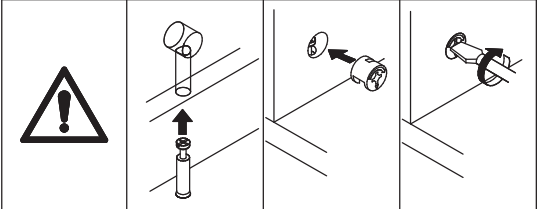
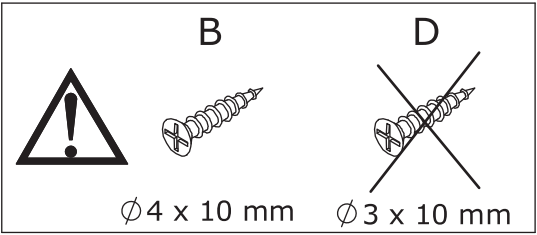
Screw eccentric rod(A) into board 20 and 21 at first.



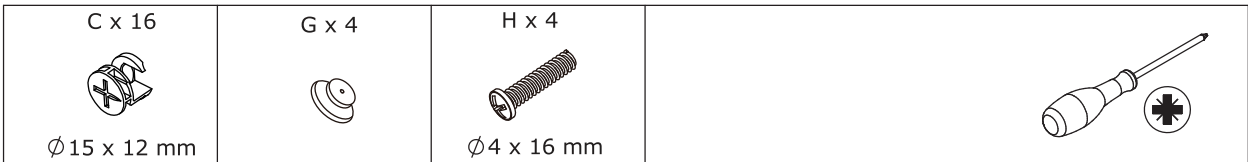
22

C x 24  Ø 15 x 12 mm	G x 6 	H x 6  Ø 4 x 16 mm	
---	--	---	---

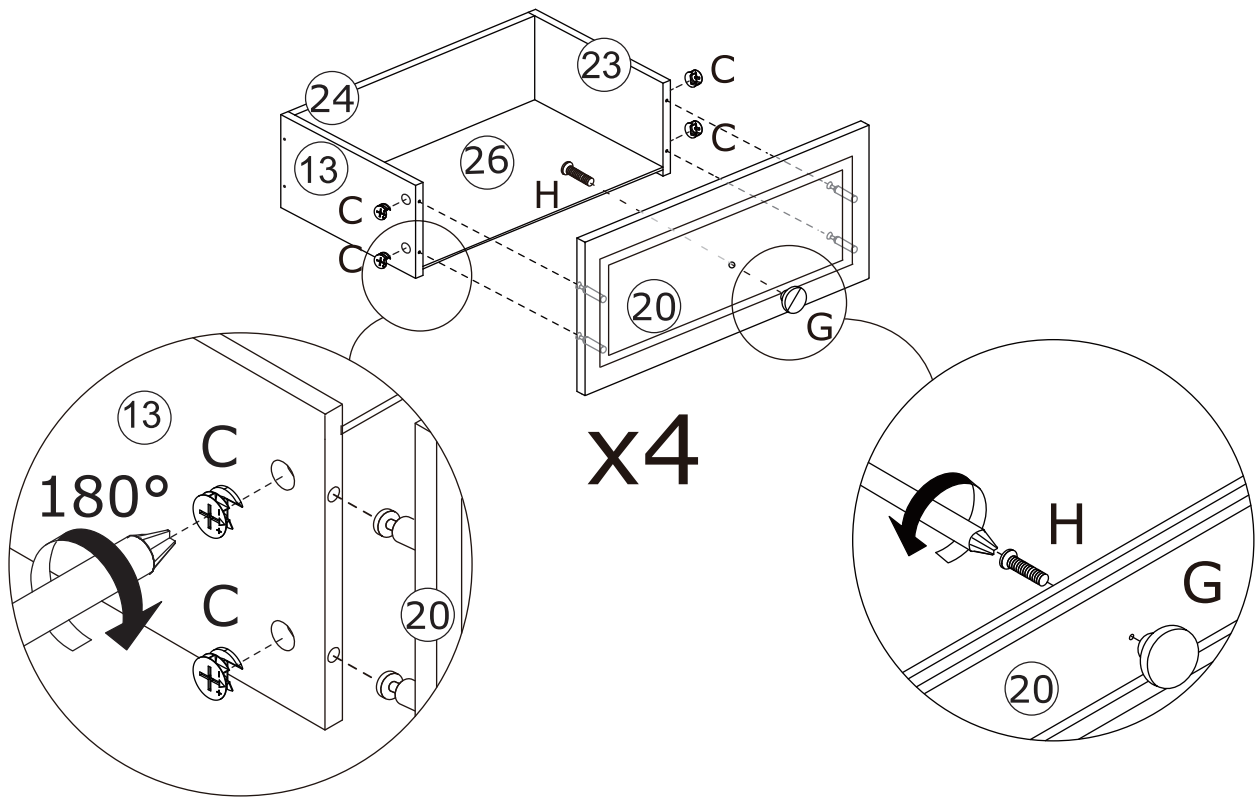
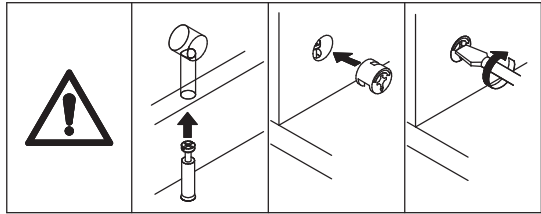
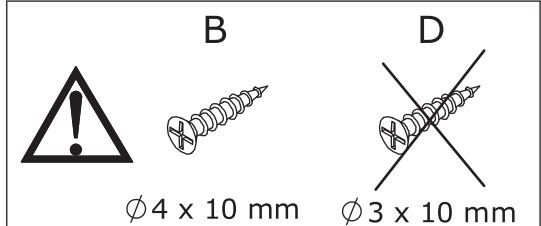
Attach board 13 and 23 to board 21 respectively, add cam lock(C) into and turn clockwise to tighten as shown. Fix knob(G) to board 21 with screw(H) as shown.



23

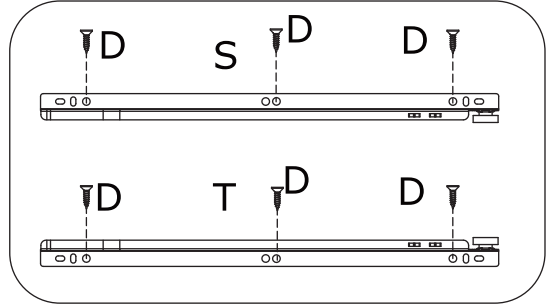
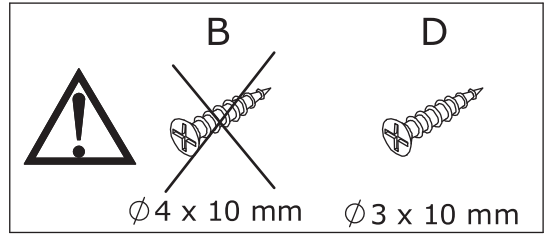
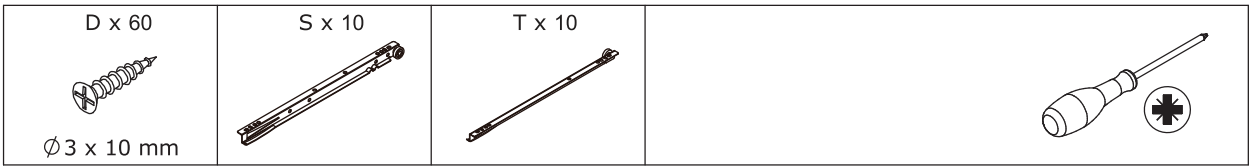


Attach board 13 and 23 to board 20 respectively, add cam lock(C) into and turn clockwise to tighten as shown. Fix knob(G) to board 20 with screw(H) as shown.

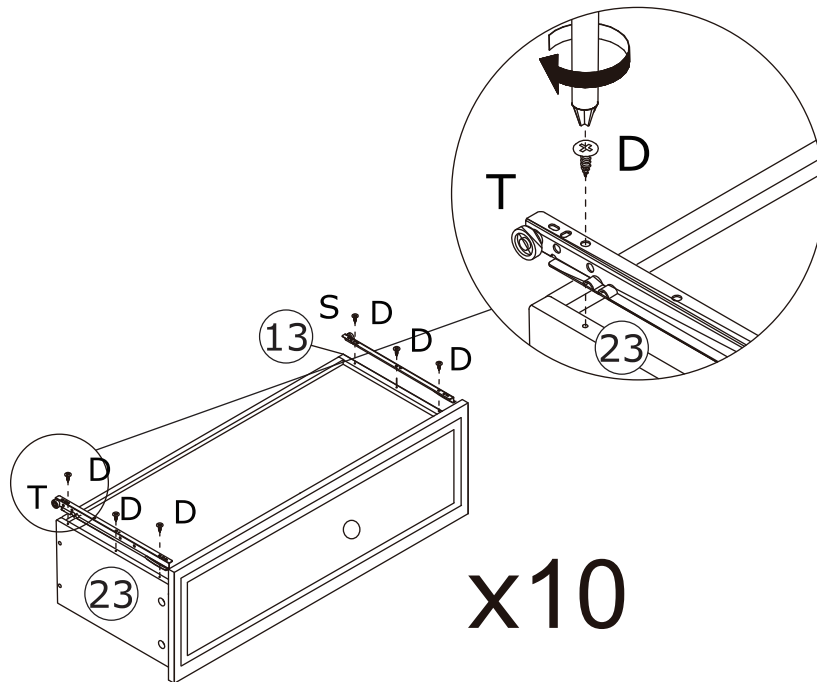


x4

24

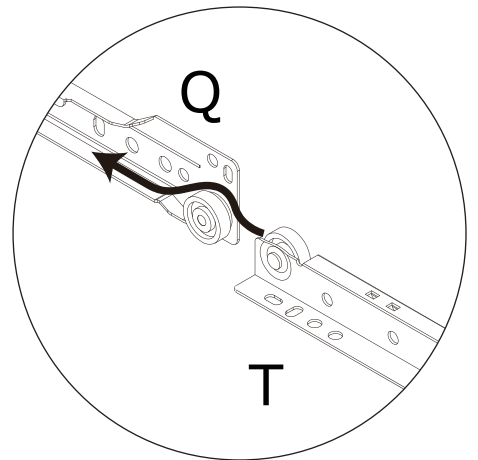
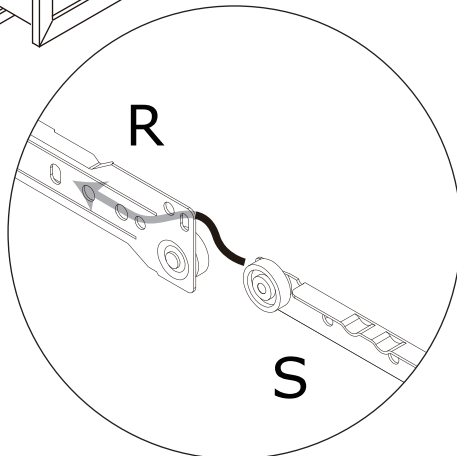
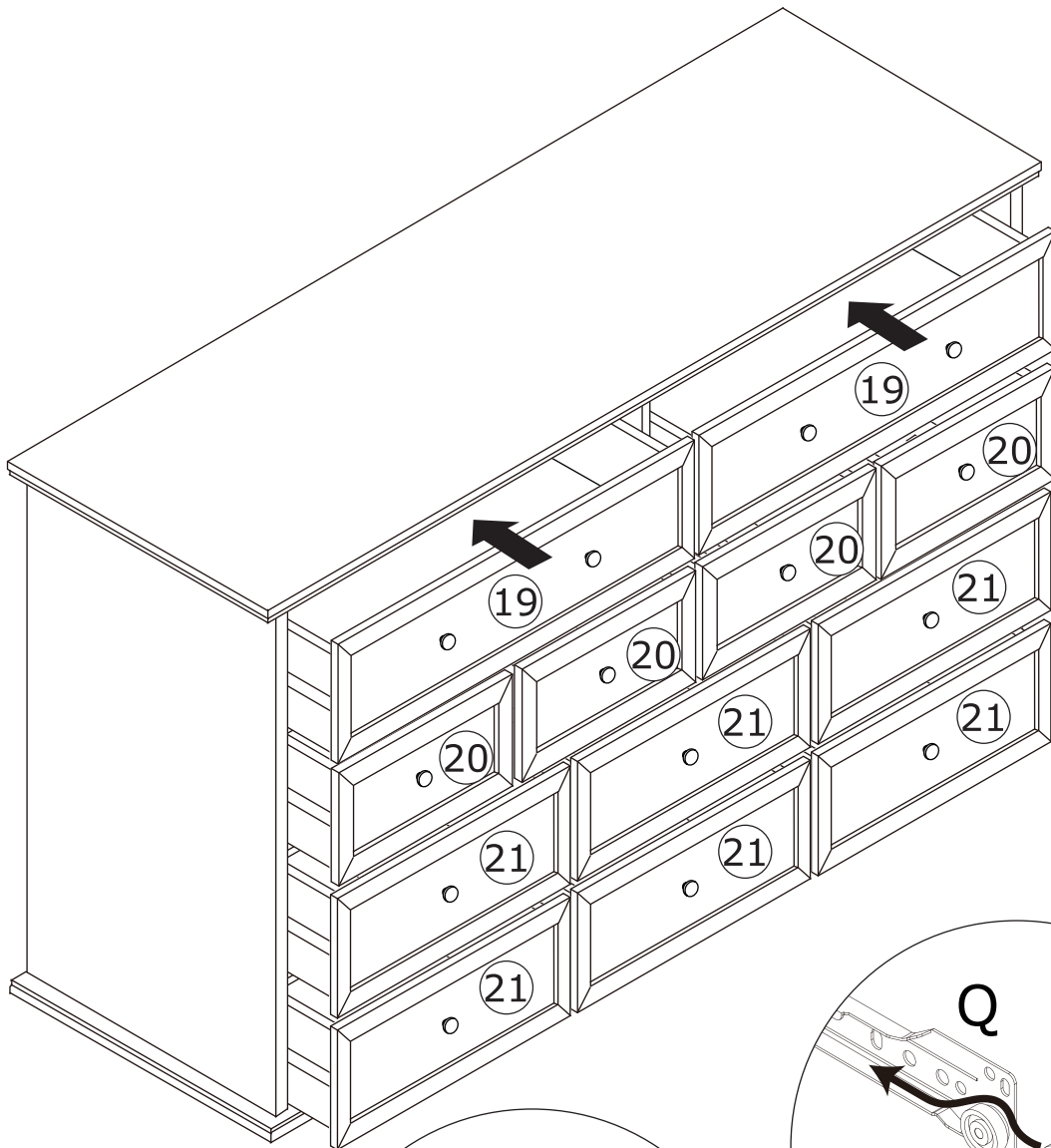


Fix runner(S) and (T) to board 13 and 23 with screw(D) as shown.



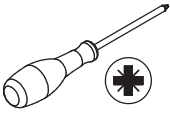
25

Align rails, slide all drawers in.

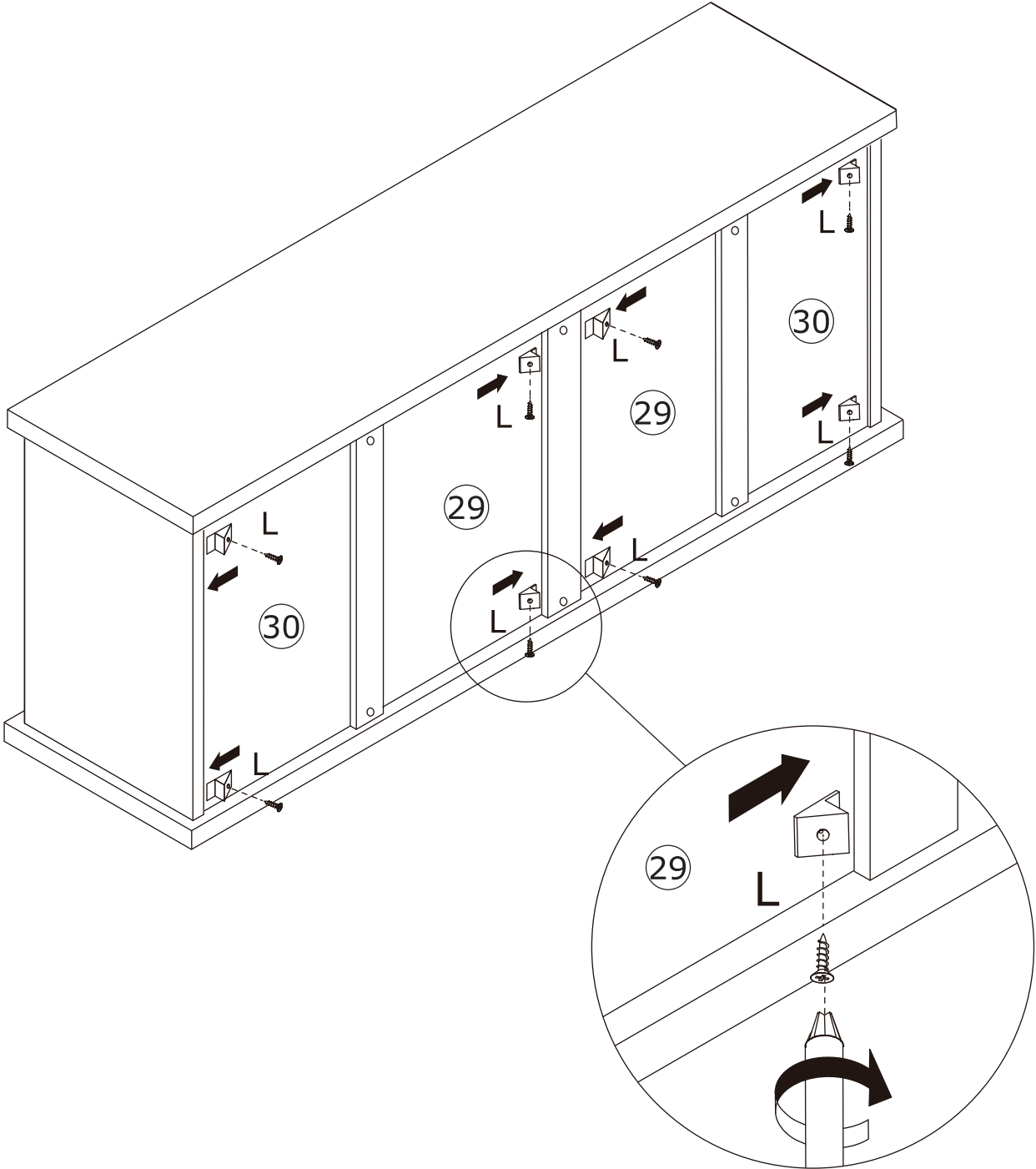


26

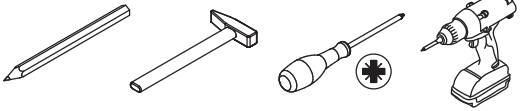
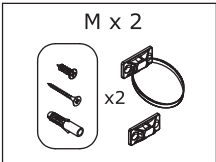
L x 8
Ø3 x 12 mm



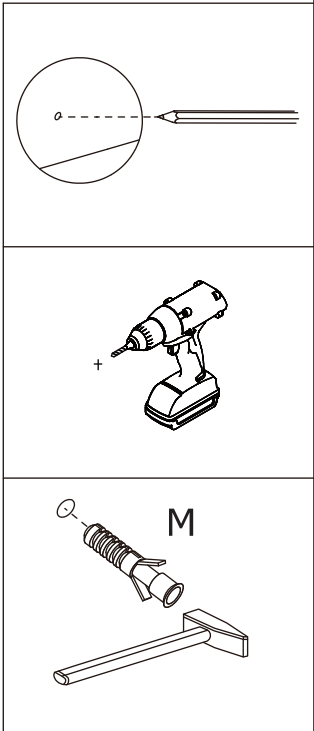
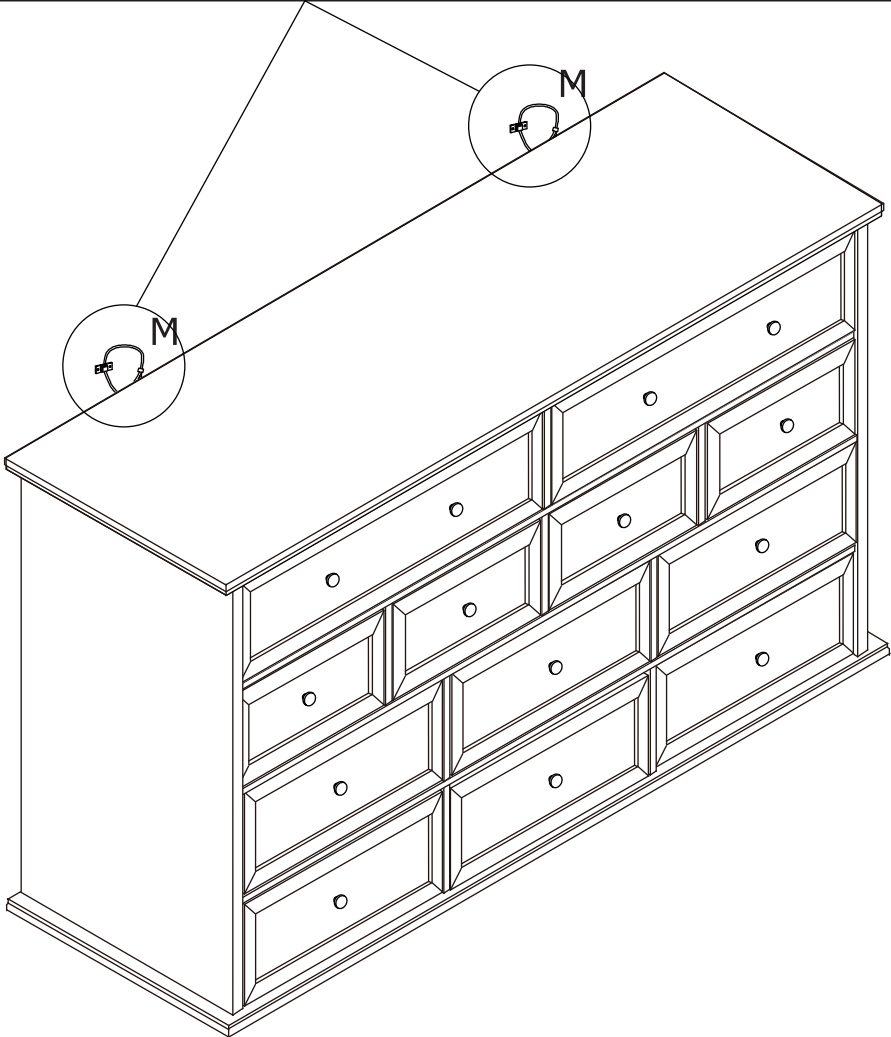
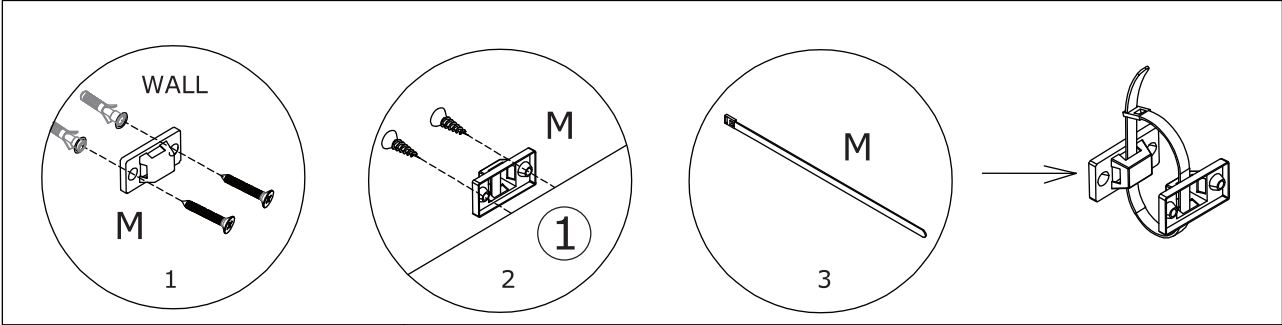
Insert buckle(L) into back slots and fix to tighten as shown.



27



Install anti-tipping device as shown.



WARRANTY

WARRANTY CLAIMS

- There is a 30-day warranty for broken furniture or any other problems that do not work properly. The warranty will start from the date of purchase which must be verified by proof of purchase.
- Before making a claim, we may be able to answer your query, simply call us. Please leave your purchase order number, along with some details of the problem, if you want a replacement part. We will arrange within 48 hours. If there is out of stock, we will reply with a shipping date.
- The product must be used in accordance with the instructions provided. For health reasons.
- For other reasons, if the furniture needs to be returned, it must be cleaned and dried and operated within 30 days of receipt.

Type of Warranty Claim

- Failure to follow the furniture instructions will invalidate the warranty. Attention please.
- Does not include damage during installation, but includes damage during transportation.

Scope of responsibility

- Shall not bear any responsibility for misuse or user damage and / or loss of parts during the installation of furniture.
- After using, the damage and scratches of the furniture are not covered by the warranty.

The Warranty Relates to All Bought in The Us and Covers The Following Areas

- Sheet parts: 1 month from the date of purchase.
- Electrical parts: 1 month from the date of purchase.

RETURNS

CHANGED YOUR MIND AND NEED TO RETURN YOU ITEM?

PLEASE FOLLOW THE BELOW INSTRUCTIONS:

- If you have purchased and have simply changed your mind, follow the retailer's instructions for returns.

DEFECTIVE ITEMS

- If your item is defective in any way, i.e. it doesn't work but you can't identify why, in the first instance, please call us.

DAMAGED ITEMS

- If you receive an order with obvious shipping damage from the retailer, then we suggest the delivery is refused. If the delivery has been accepted and then shipping damage is found, please follow the specific instructions advised by the retailer.
In all circumstances please save all packaging material and paperwork for the order. Please be aware that if you dispose of packaging material or attempt to return the merchandise without contacting the fulfiller, you jeopardise your chances of making a claim, and you may not receive a credit for the return.