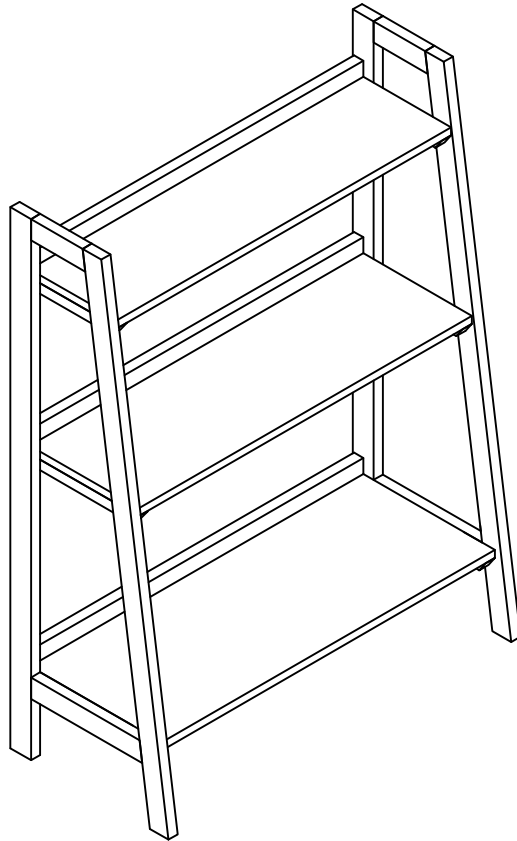


---

# ASSEMBLY INSTRUCTIONS THREE SHELF BOOKCASE





**WE ARE HERE TO HELP!**

IMPORTANT:  
PLEASE READ ALL INSTRUCTIONS IN THIS BOOKLET BEFORE STARTING ASSEMBLY.  
MADE IN VIETNAM

## HARDWARE PACKAGE COUNT

OPEN HARDWARE PACKAGE ON A FLAT SURFACE COVERED WITH NEWSPAPER. COUNT EACH PIECE OF HARDWARE TO MATCH THE QUALITY NUMBER IN THE HARDWARE LIST COLUMN CALL CUSTOMER SERVICE IF ANY OF THE PARTS ARE MISSING. FOLLOW THE LETTER IDENTIFICATION WHEN READING THE ASSEMBLY DRAWING "A" THROUGH "B"

### HARDWARE IDENTIFICATION

SYMBOL	GRAPHICS	DESCRIPTION	QTY
<b>A</b>	 $\varnothing 1/4" \times L.1"$	BOLT	12
<b>B</b>		ALLEN WRENCH	1

ALL PARTS ARE LABELED WITH STICKERS MATCHING THE PART IDENTIFICATION NUMBERS LISTED ON PAGE 3.

#### IMPORTANT

PLEASE USE ALL THE HARDWARE MENTIONED ABOVE  
THEY WILL ASSURE THE ITEM STABILITY AND SAFETY.

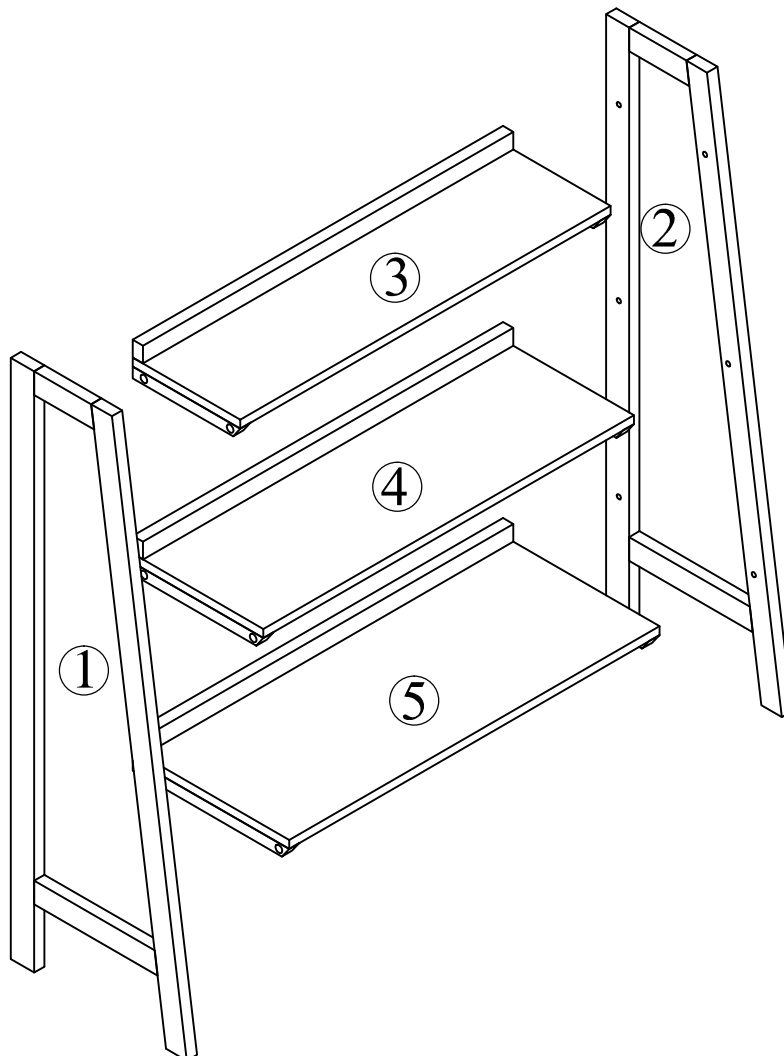
#### TOOLS REQUIRED

A STANDARD PHILIPS HEAD SCREWDRIVER ( NOT PROVIDED) AND AN ALLEN WRENCH "B" (PROVIDED) ARE REQUIRED TO ASSEMBLE THIS UNIT. USE A PLASTIC HEAD Mallet, NOT PROVIDED, TO TAP IN STRETCHERS OR OTHER COMPONENTS.

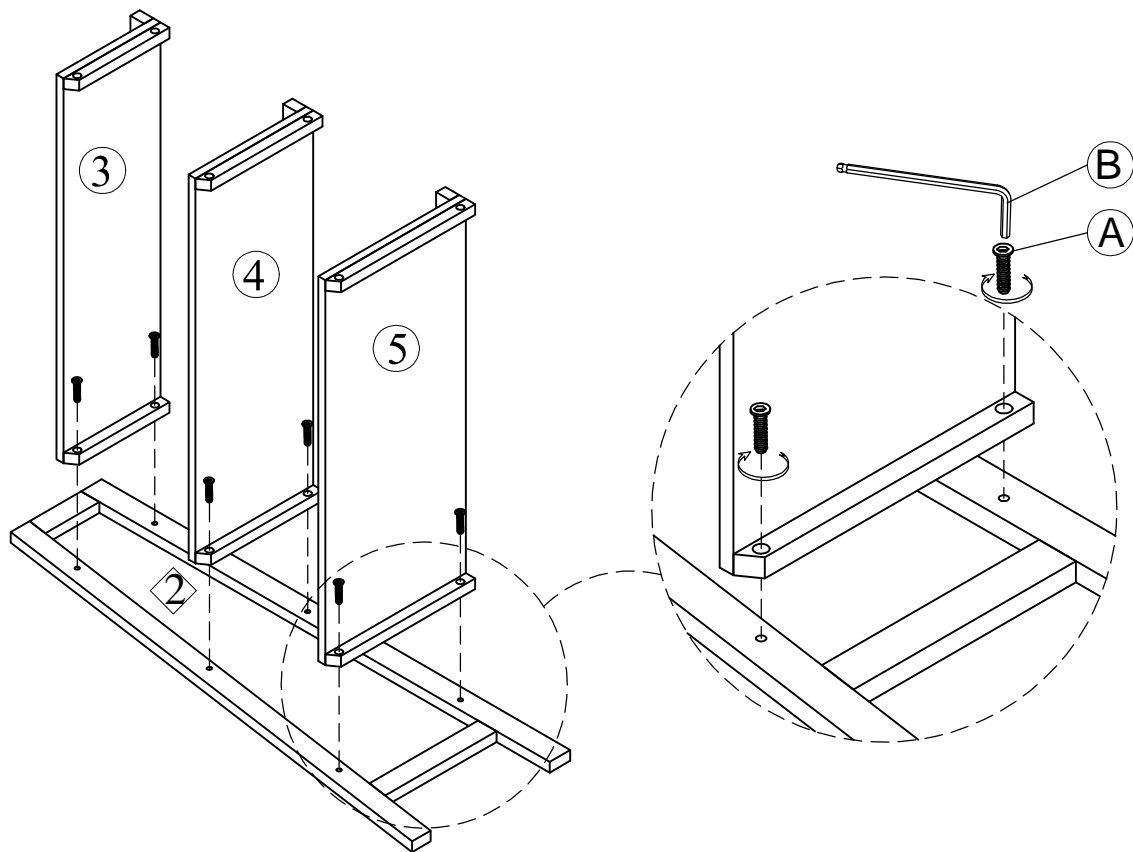
---

**PART IDENTIFICATION:**

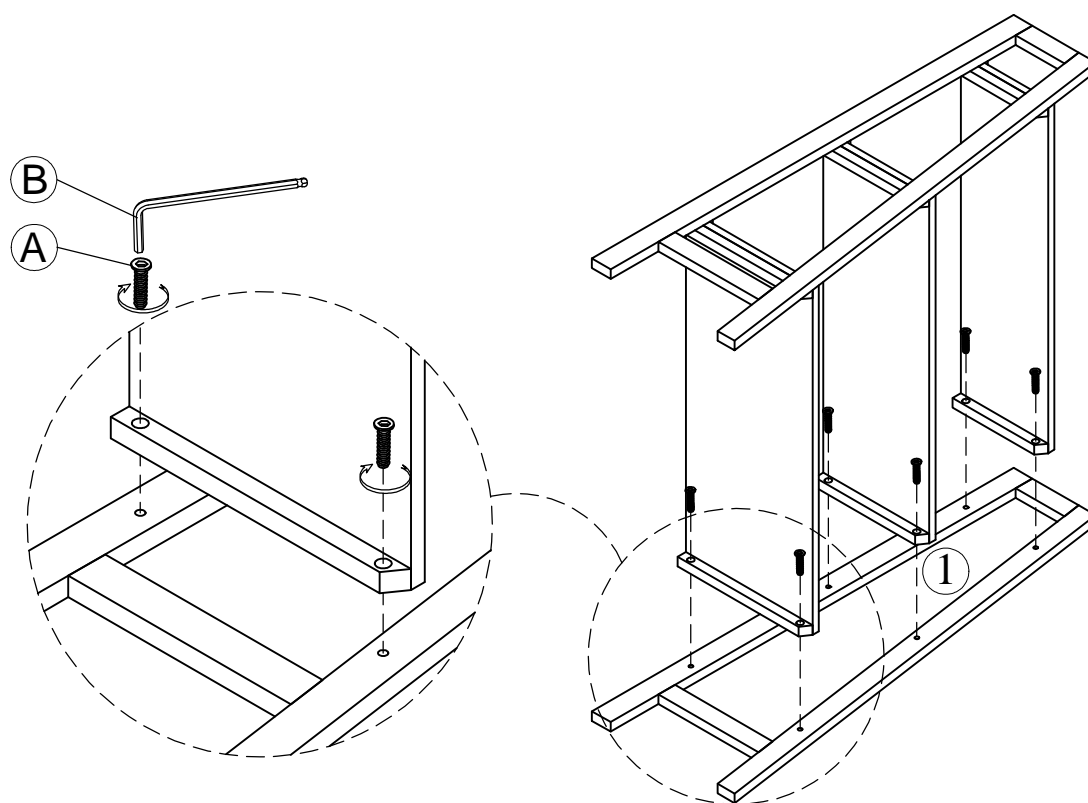
PART NUMBER	DESCRIPTION	QTY
1	LEFT LEG FRAME	01
2	RIGHT LEG FRAME	01
3	TOP SHELF	01
4	CENTER SHELF	01
5	BOTTOM SHELF	01



STEP 1:

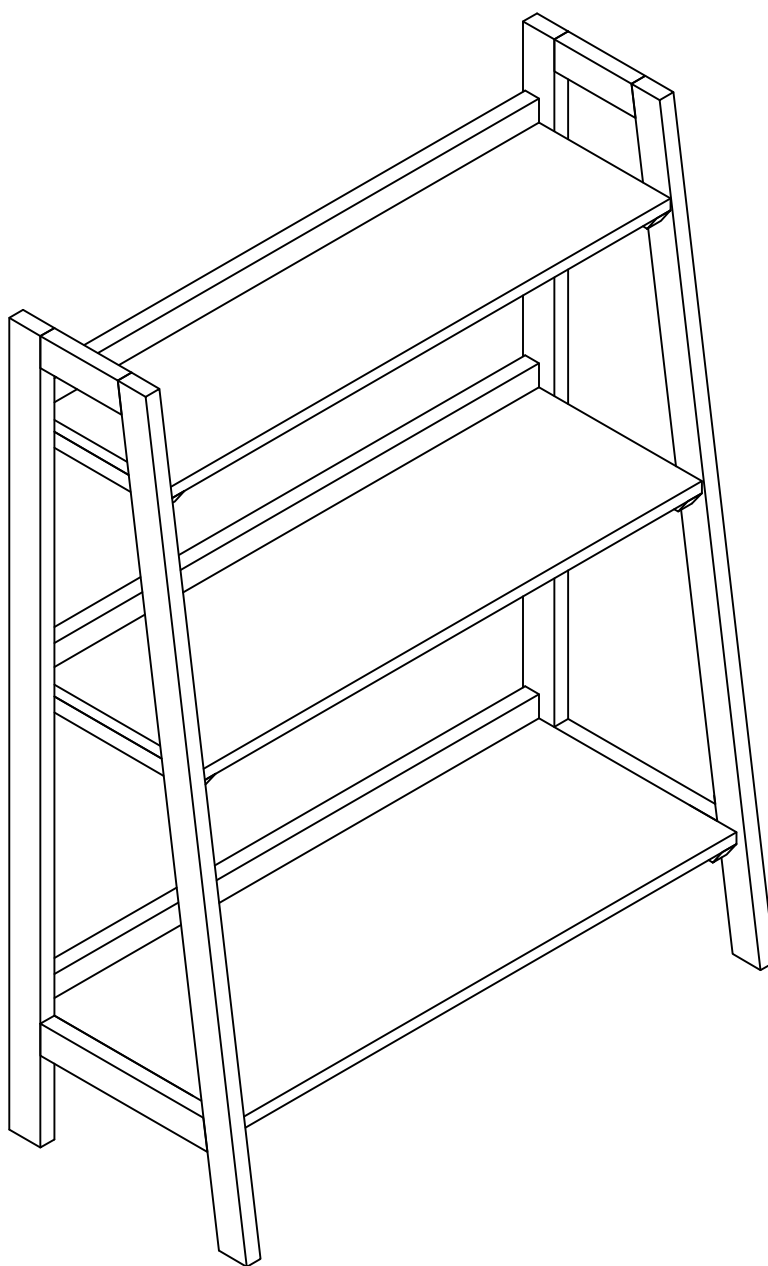


STEP 2:



---

**COMPLETED ASSEMBLY**



**LIMITED WARRANTY**

**WHAT IS COVERED**

**WHAT IS NOT COVERED**