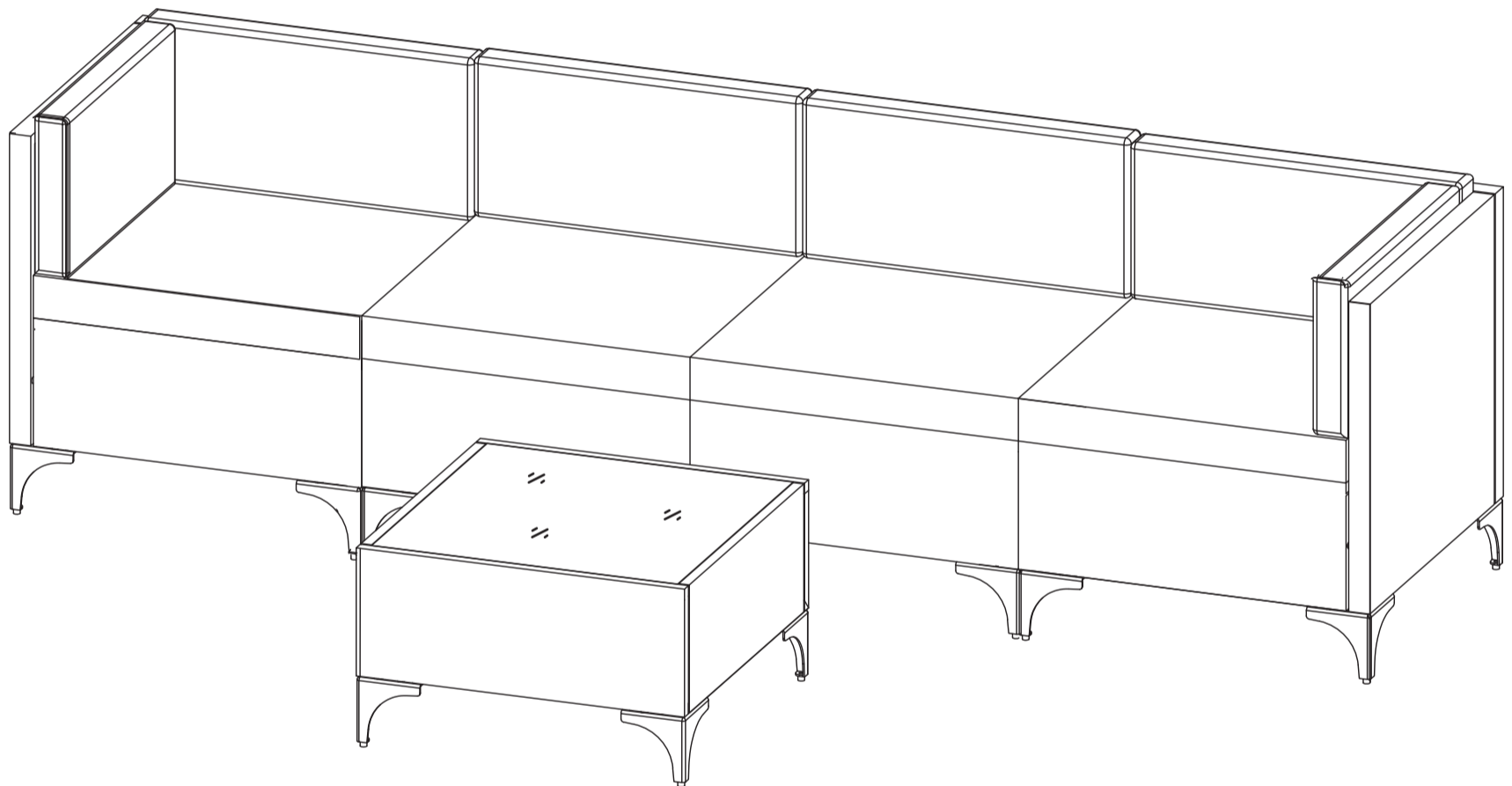
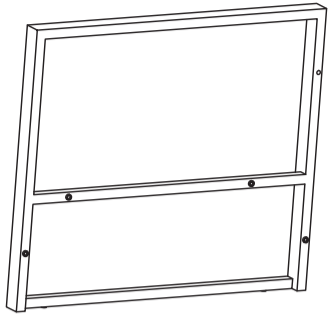
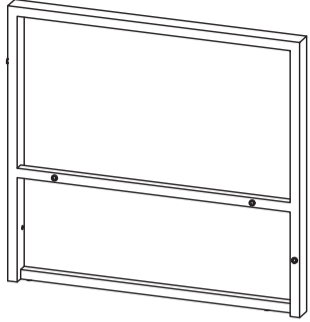
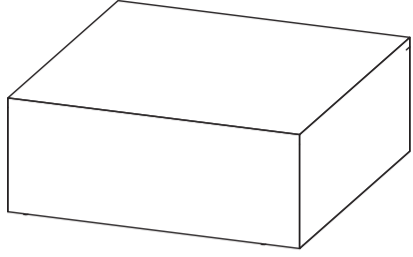
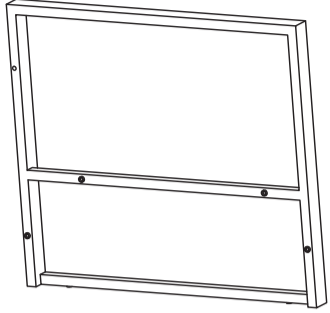
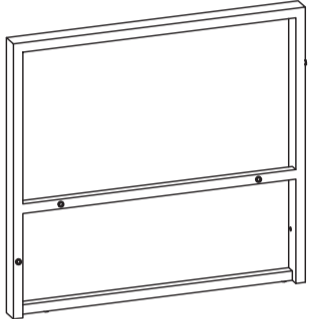
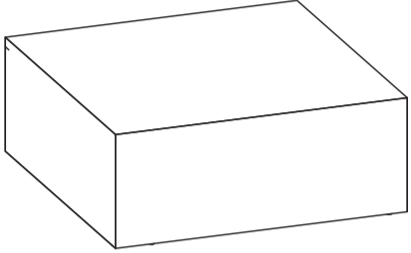
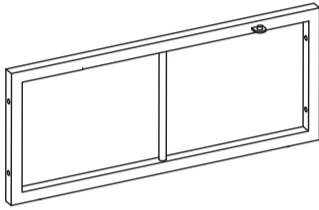
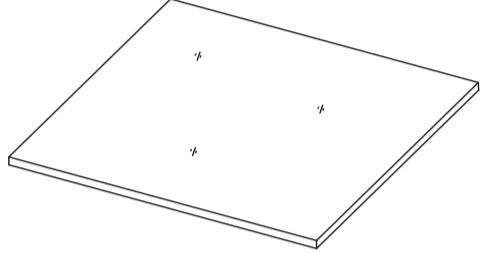
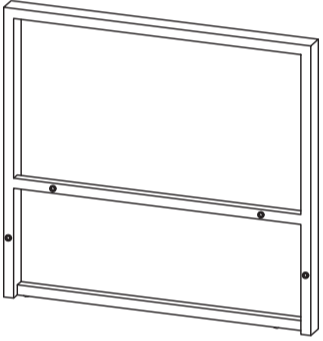
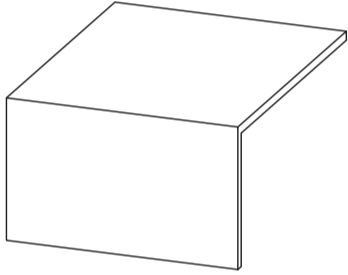
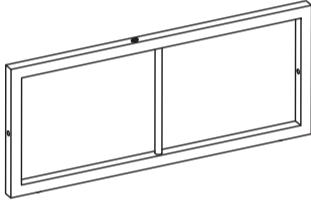
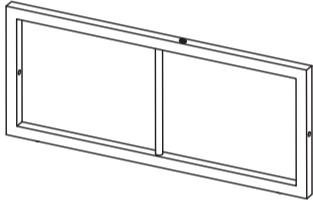

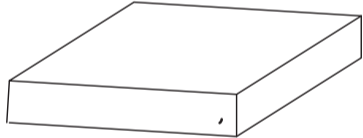
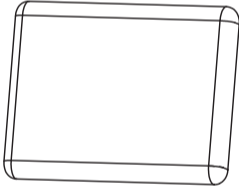
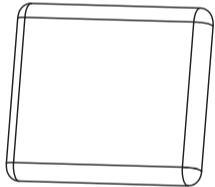
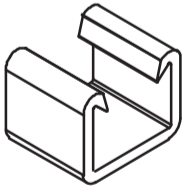
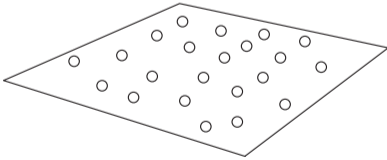
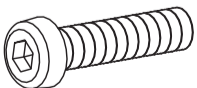
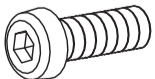

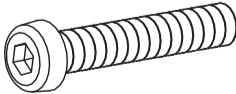



INSTRUCTION MANUAL

**For 7-piece set: Deliver in 2 boxes.
Install only after both packages arrive.**



**We stand behind we sell. If you are not satisfied with your purchase,
you can return it for a replacement or refund.**

<p>A x1</p> 	<p>B x1</p> 	<p>C x1</p> 	<p>D x1</p> 	
<p>E x1</p> 	<p>F x1</p> 	<p>G x4</p> 	<p>I x1</p> 	
<p>J x2</p> 	<p>K x2</p> 	<p>L x2</p> 	<p>M x2</p> 	
<p>N x20</p> 	<p>O x4</p> 	<p>P x4</p> 	<p>Q x2</p> 	
<p>R x6</p> 	<p>Z x4</p> 			
<p>a x38</p>  <p>M6*30MM</p>	<p>b x40</p>  <p>M6*15MM</p>	<p>c x80</p> 	<p>d x2</p>  <p>M6*45MM</p>	<p>e x2</p> 

Left arm sofa*1pc

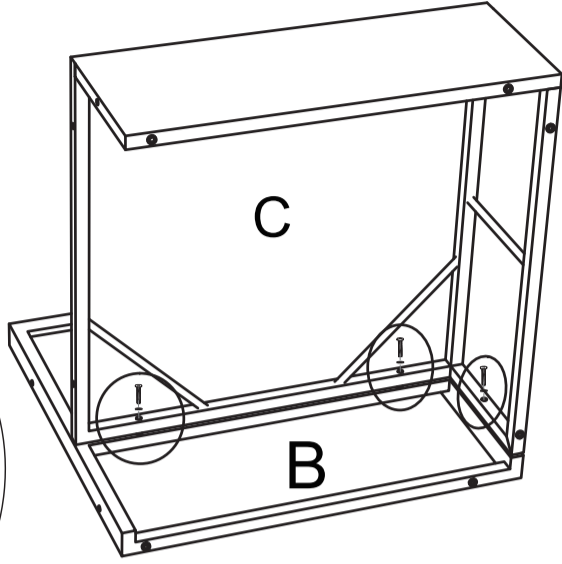
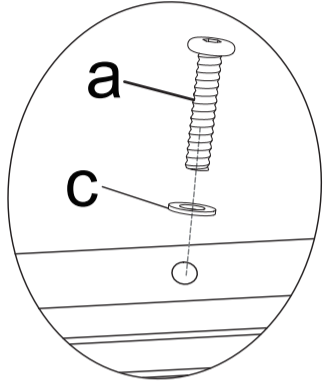
Step 1

B*1

C*1

a*3

c*3

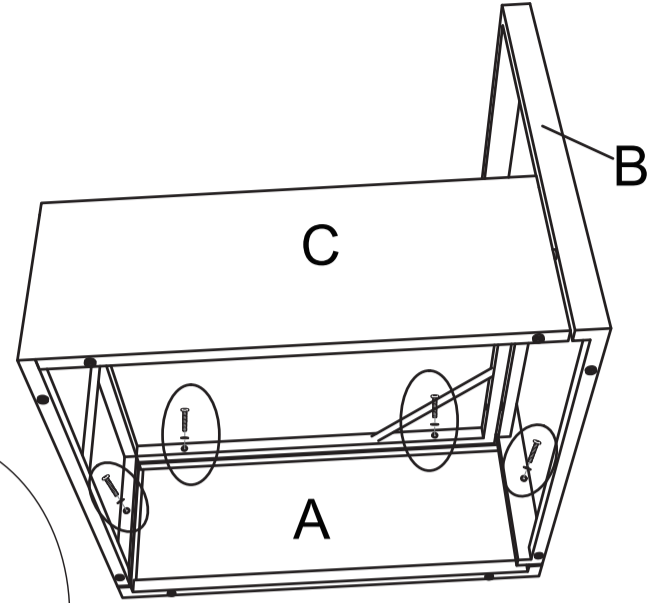
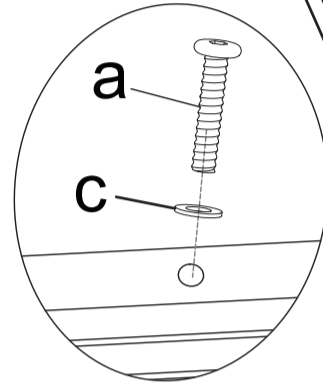


Step 2

A*1

a*4

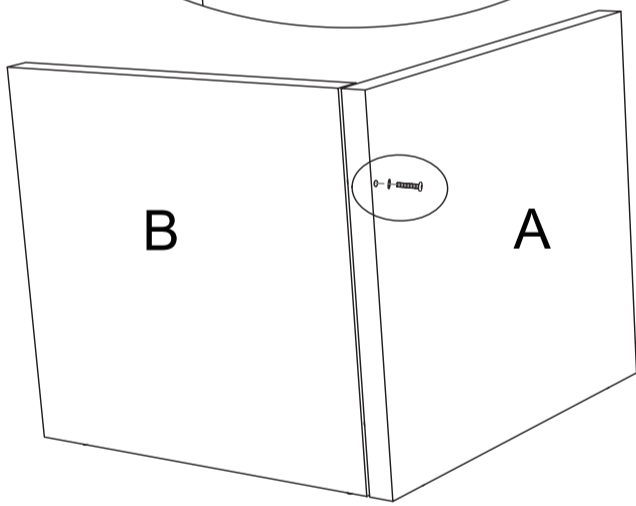
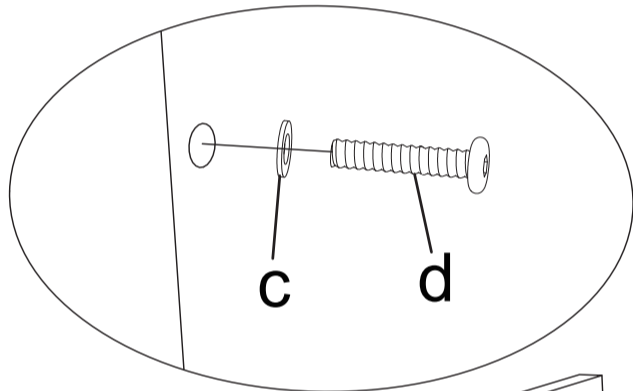
c*4



Step 3

d*1

c*1

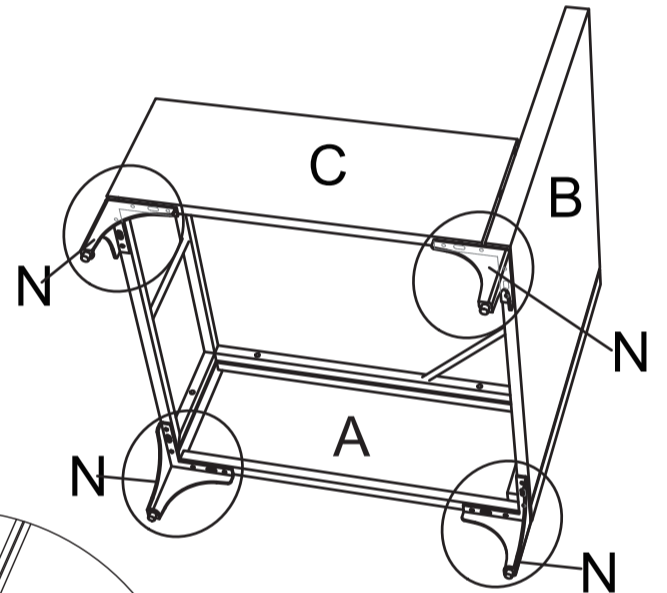
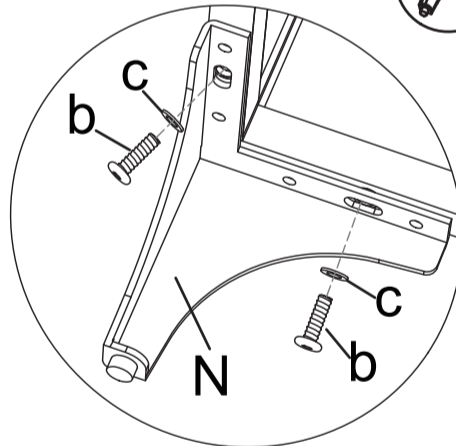


Step 4

N*4

b*8

c*8



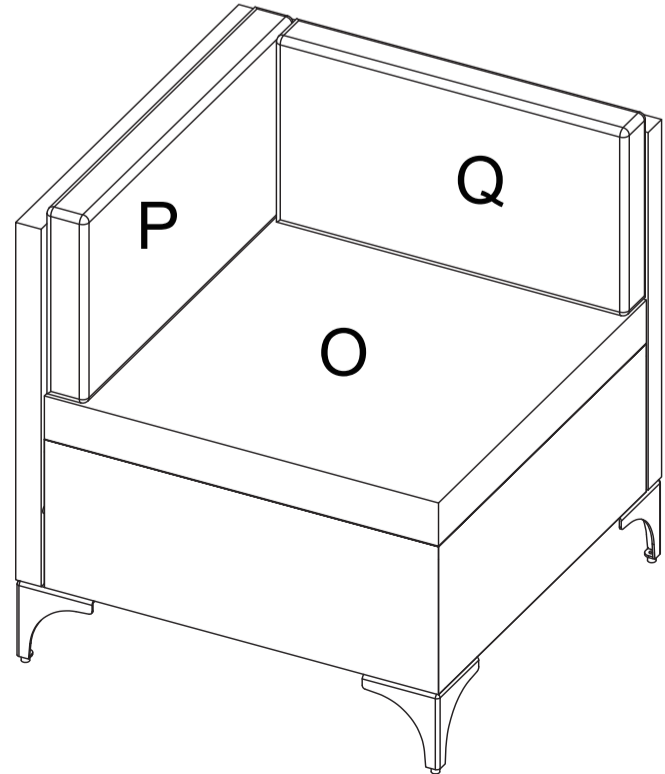
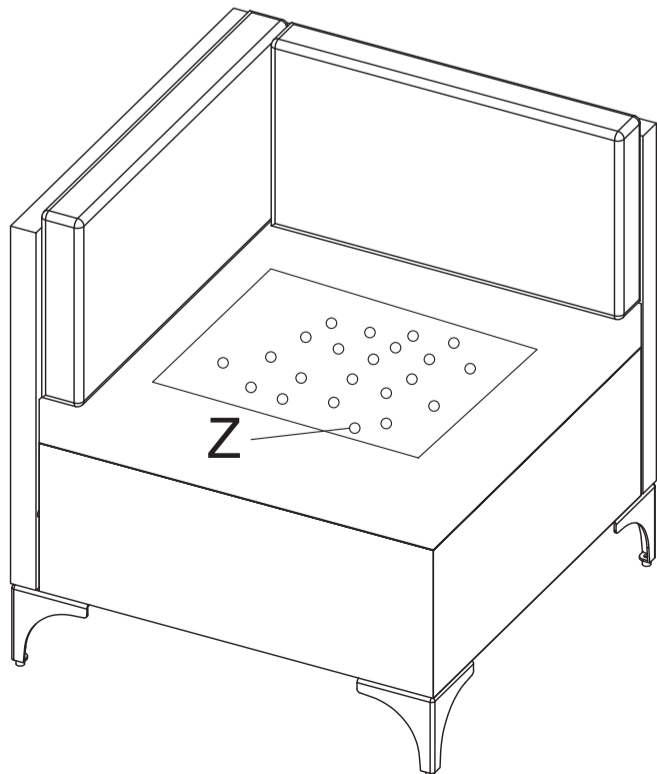
Step 5

O*1

P*1

Q*1

Z*1



Right arm sofa*1pc

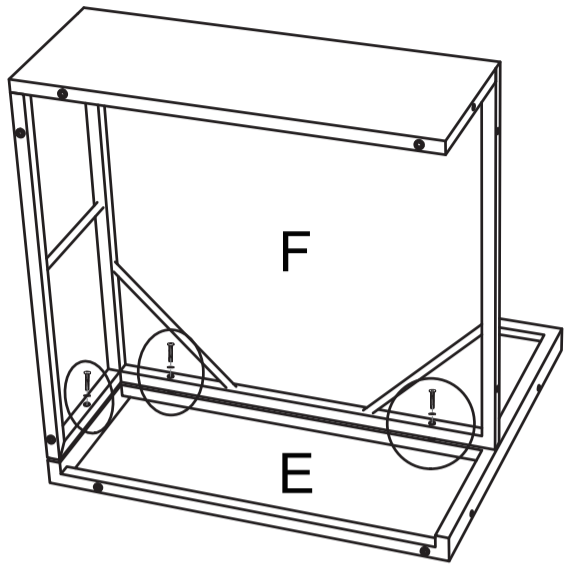
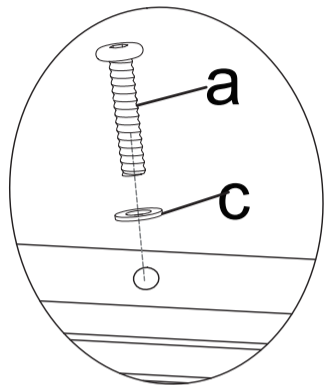
Step 1

E*1

F*1

a*3

c*3

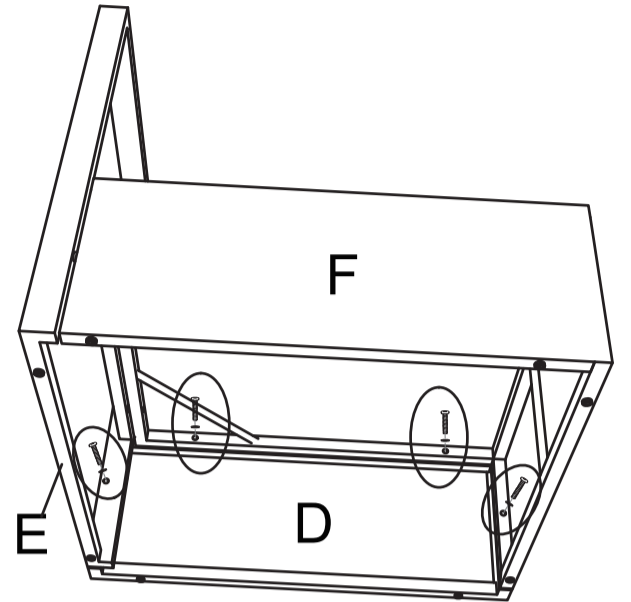
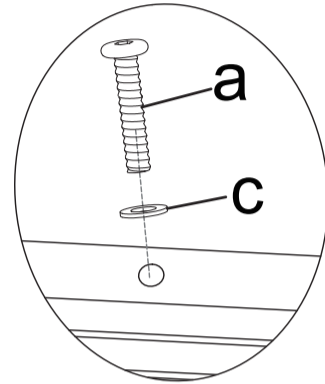


Step 2

D*1

a*4

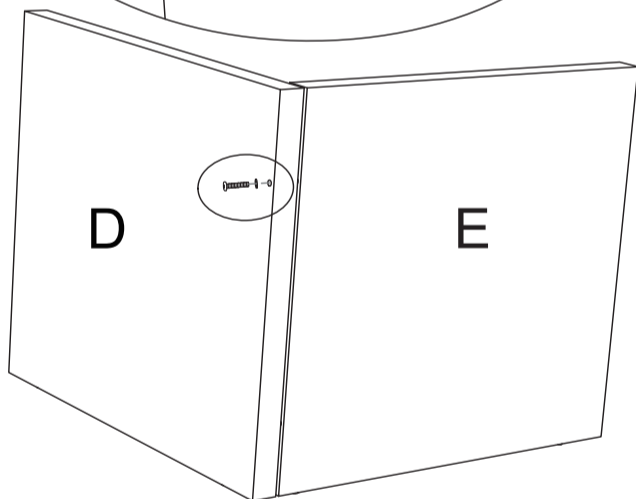
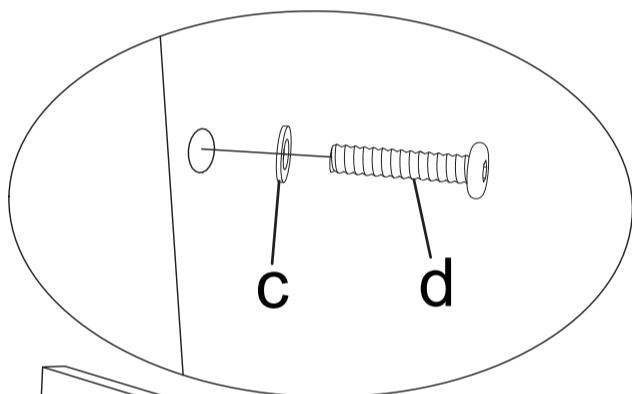
c*4



Step 3

d*1

c*1

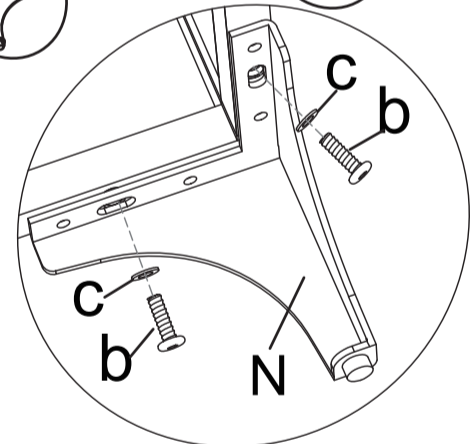
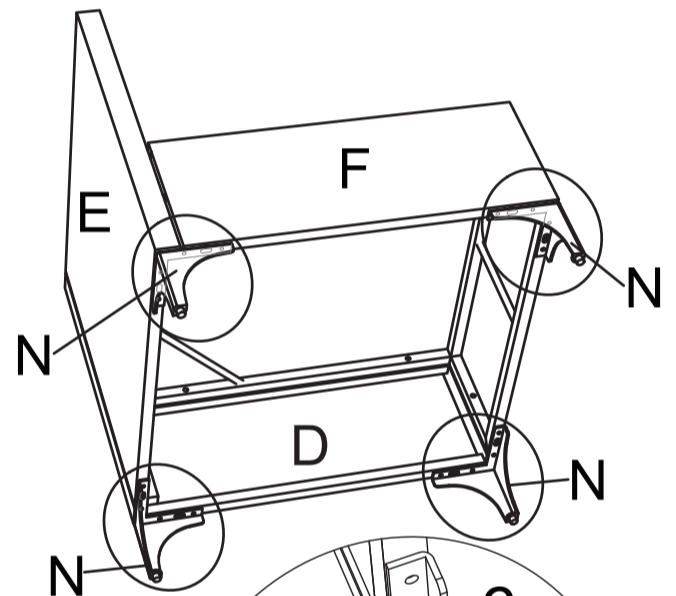


Step 4

N*4

b*8

c*8



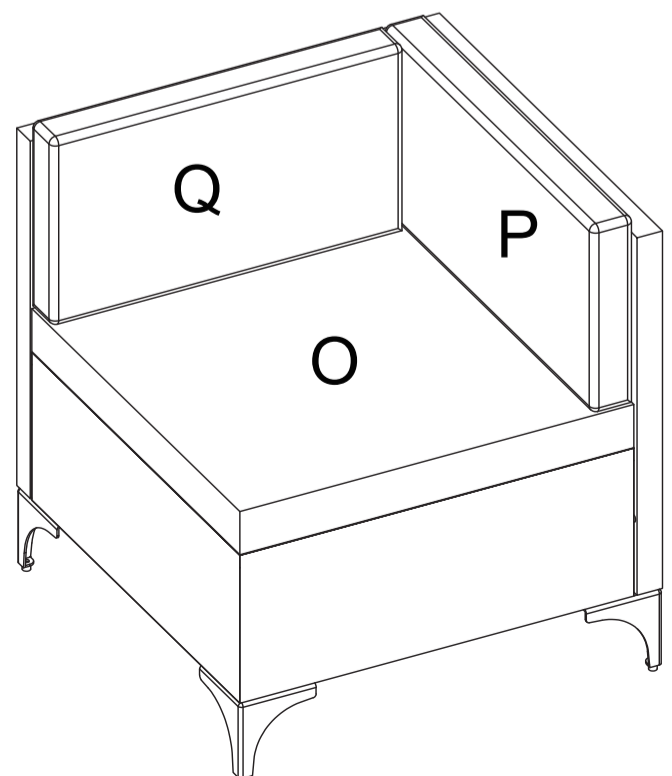
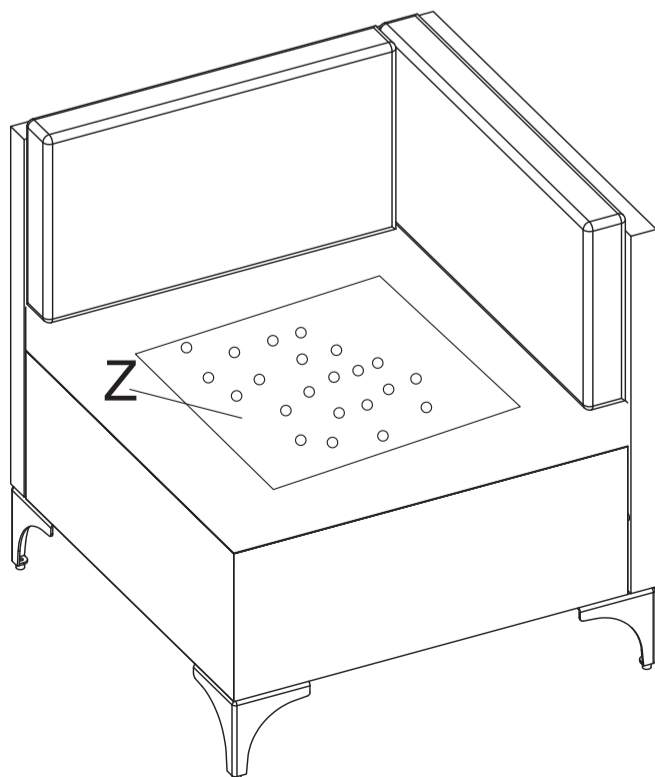
Step 5

O*1

P*1

Q*1

Z*1



Sofa without armrests*2pcs

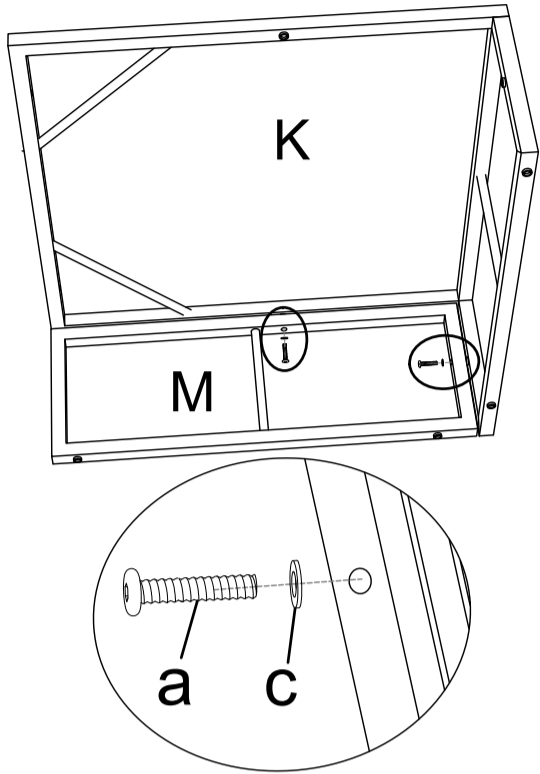
Step 1

M*1

K*1

a*2

c*2

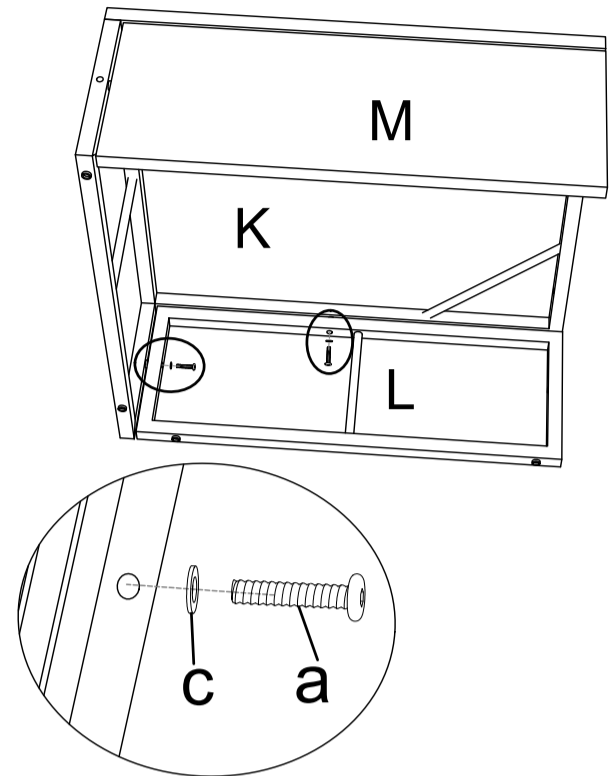


Step 2

L*1

a*2

c*2

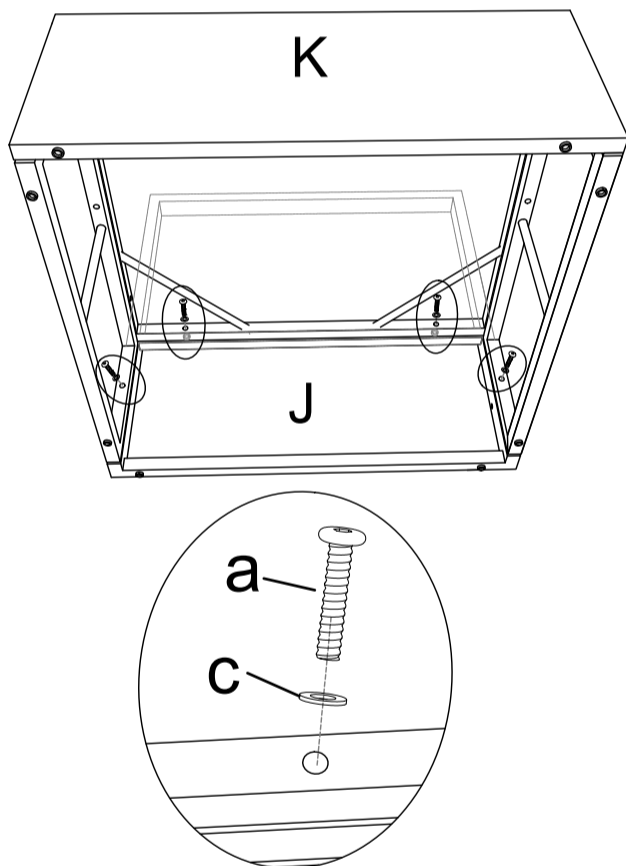


Step 3

J*1

a*4

c*4

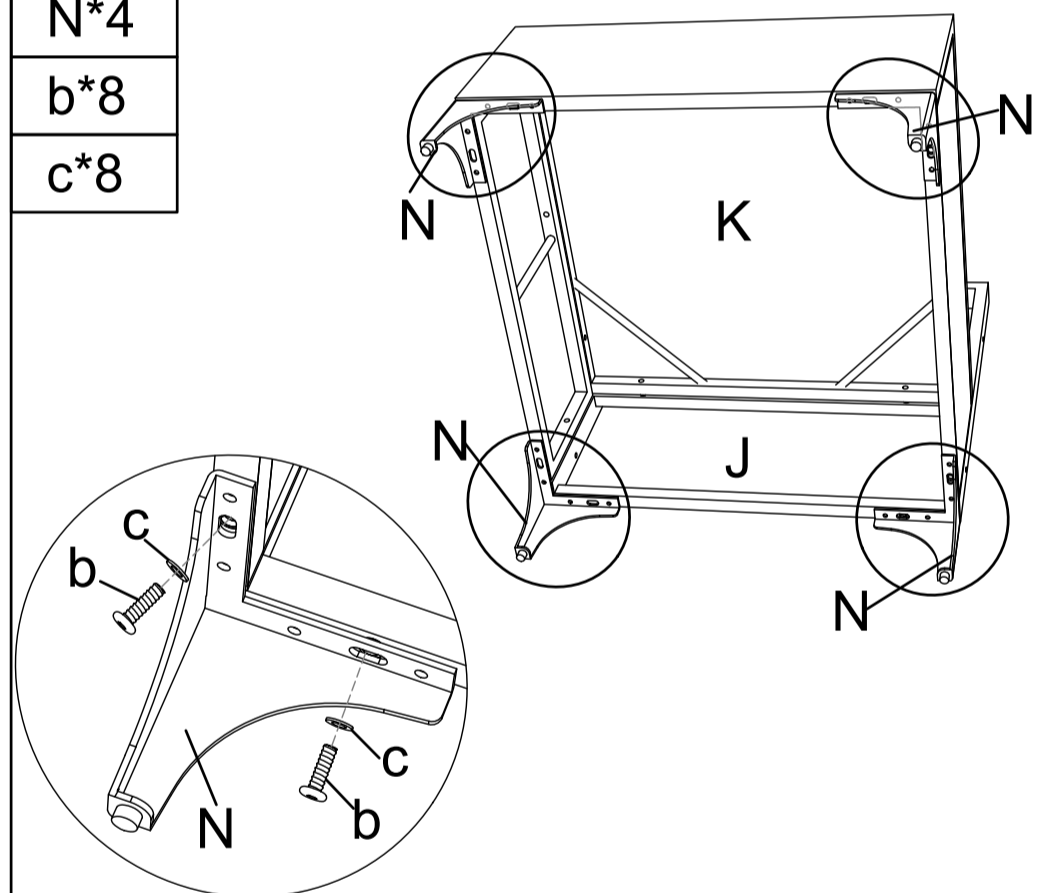


Step 4

N*4

b*8

c*8

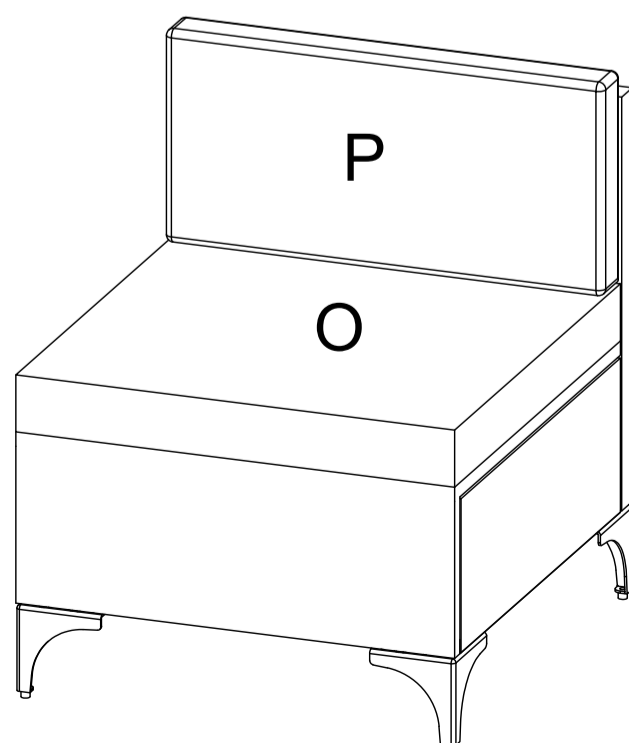
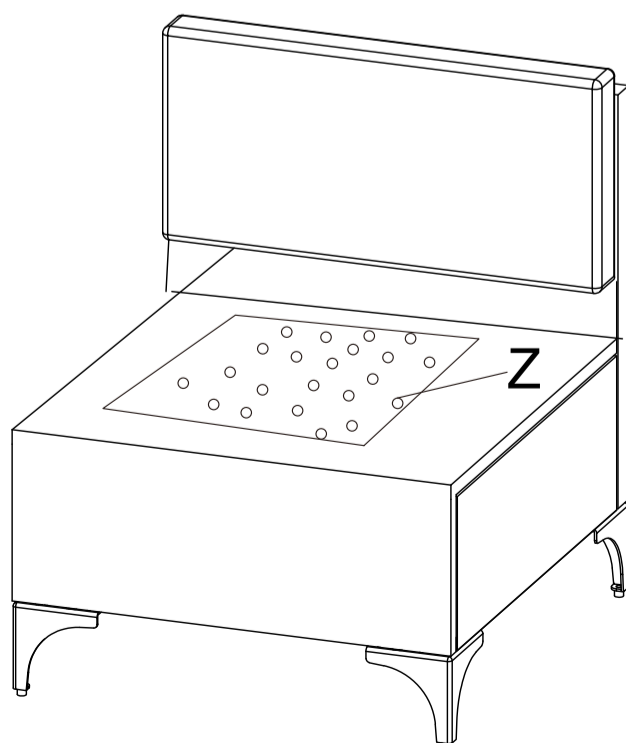


Step 5

O*1

P*1

Z*1



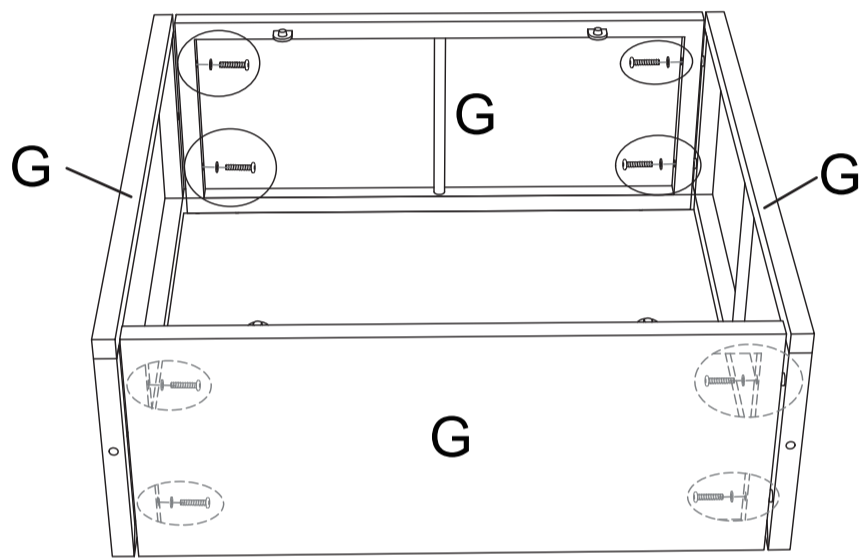
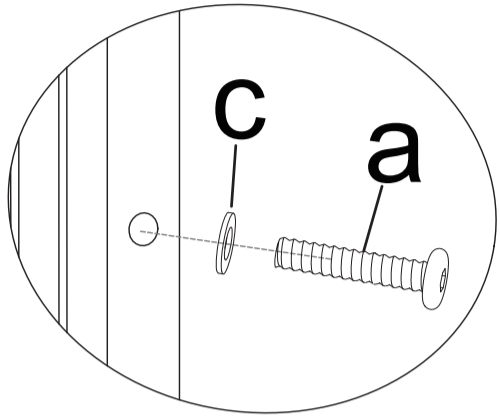
Coffee table*1pc

Step 1

G*4

a*8

c*8

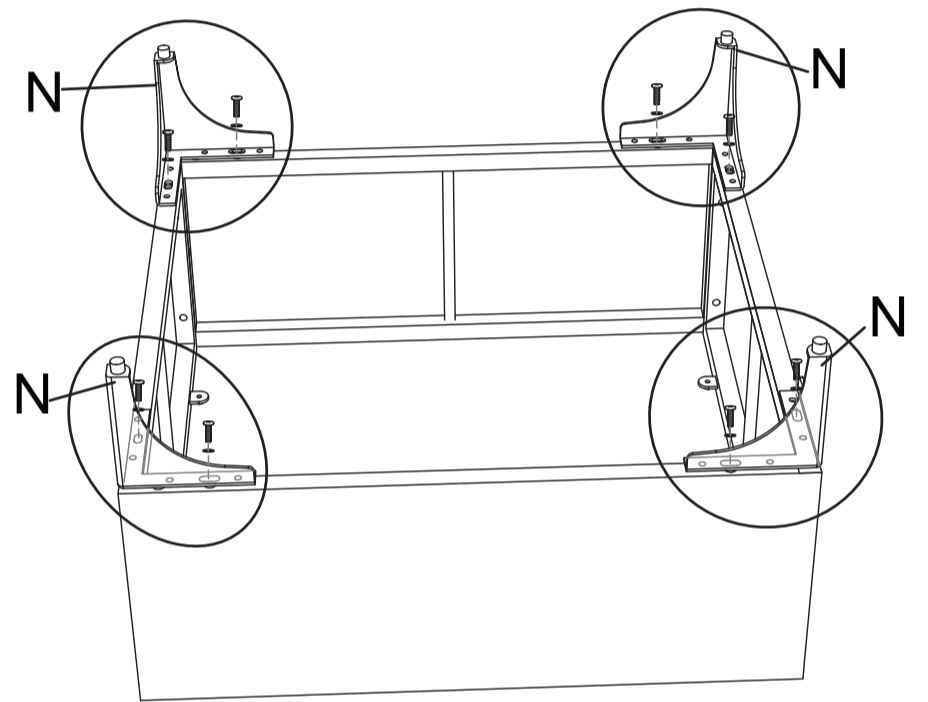
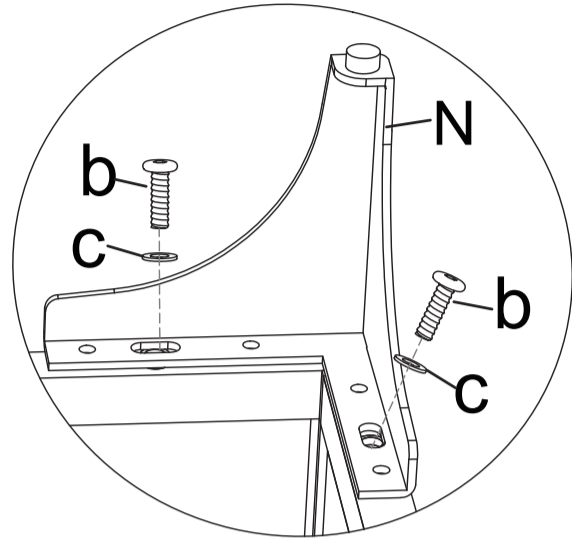


Step 2

N*4

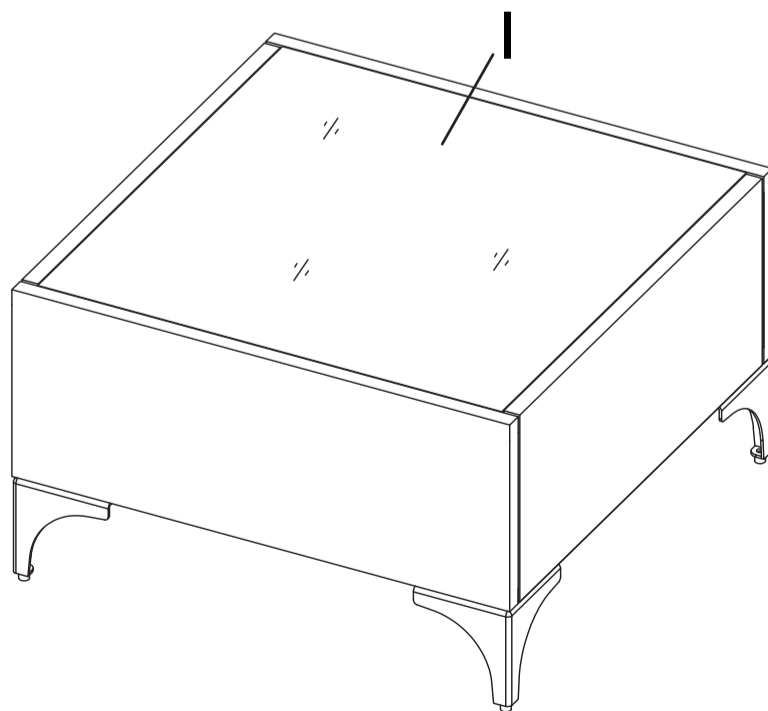
b*8

c*8



Step 3

I*1



Combination description

R



10

