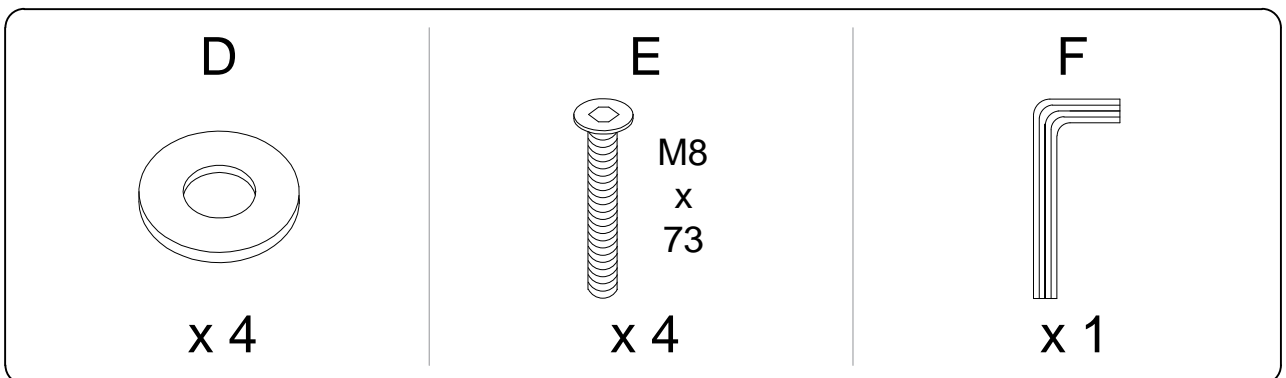
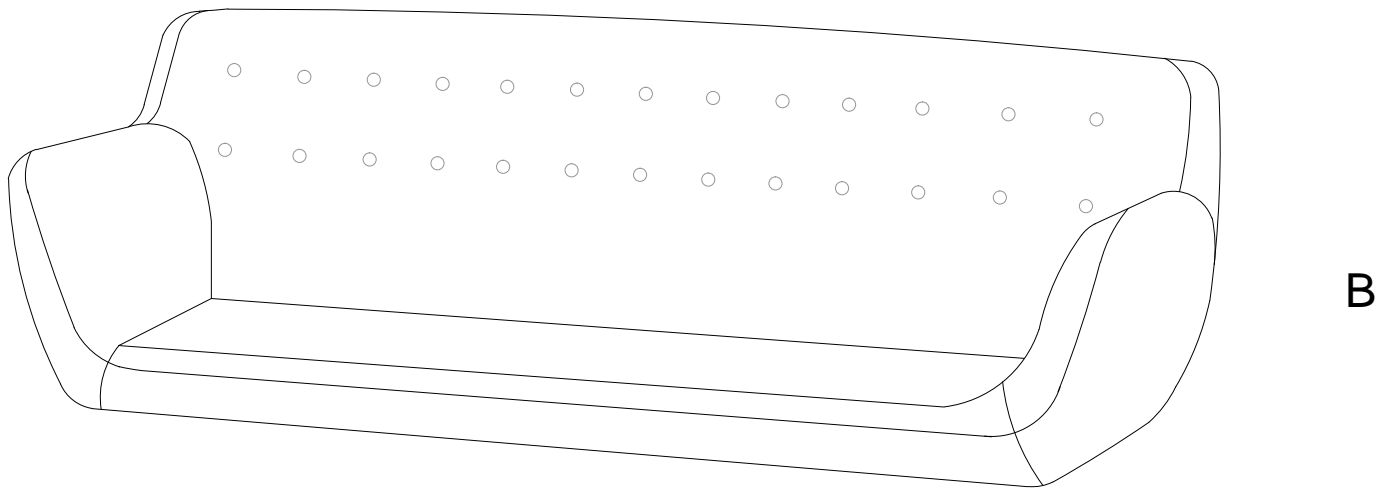
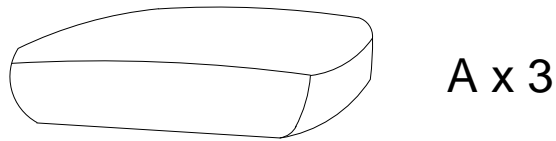
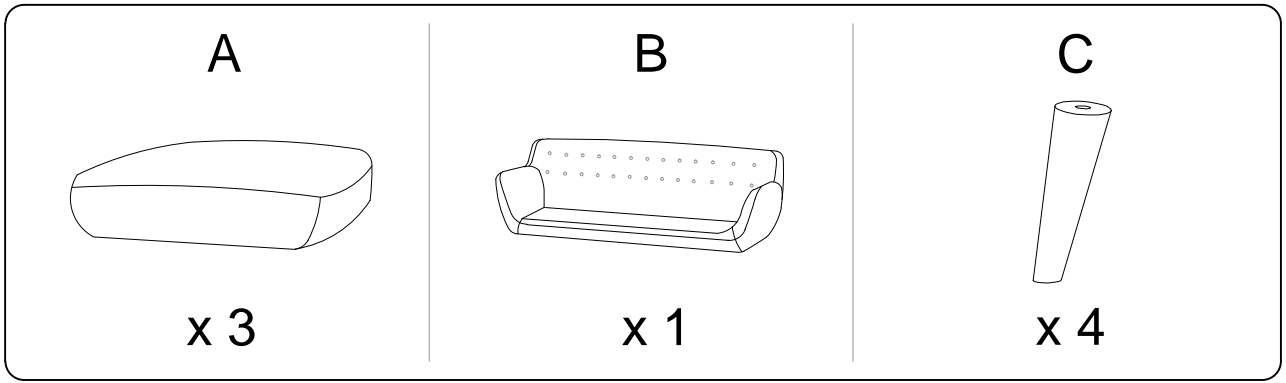


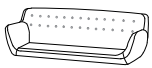


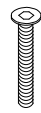
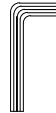
Assembly instructions for step 1/3:

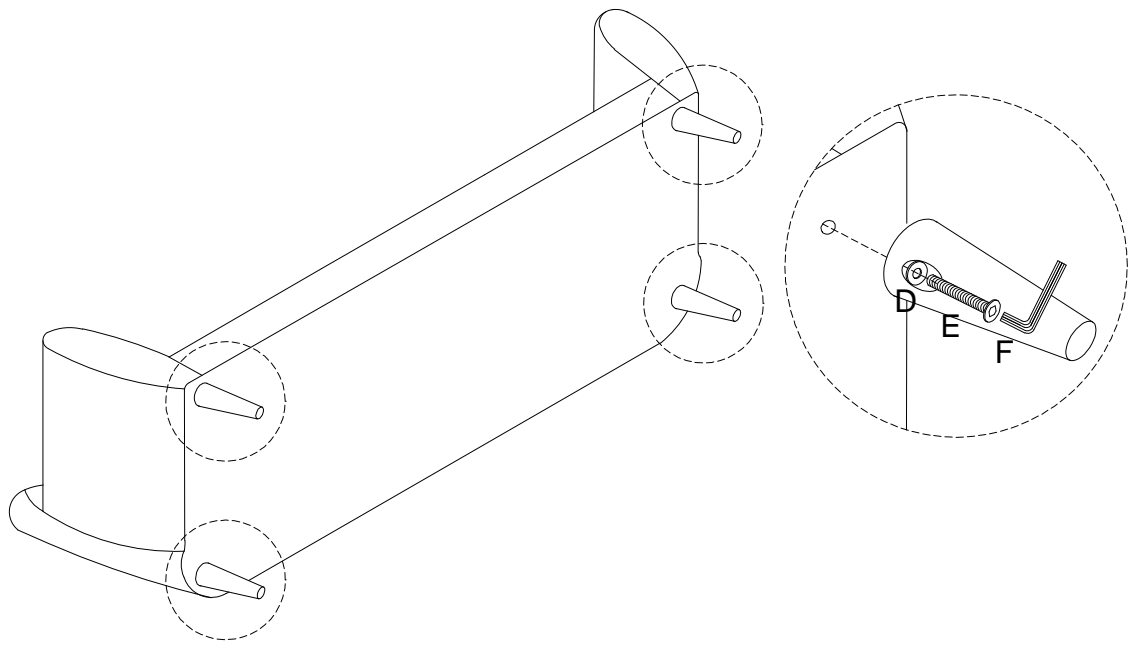
- Warning:** Do not use a power drill. Use an L-shaped Allen key.
- Warning:** Do not use a screwdriver. Use a block of wood to protect the surface.
- Time:** 20 minutes.
- Personnel:** 1 person.

1/3




1

<b>B</b>  x 1	<b>C</b>  x 4	<b>D</b>  x 4	<b>E</b> M8 x 73  x 4	<b>F</b>  x 1
--	--	--	---	--



2

**A**  
  
x 3

