



User Manual

Prohibition Back Bar



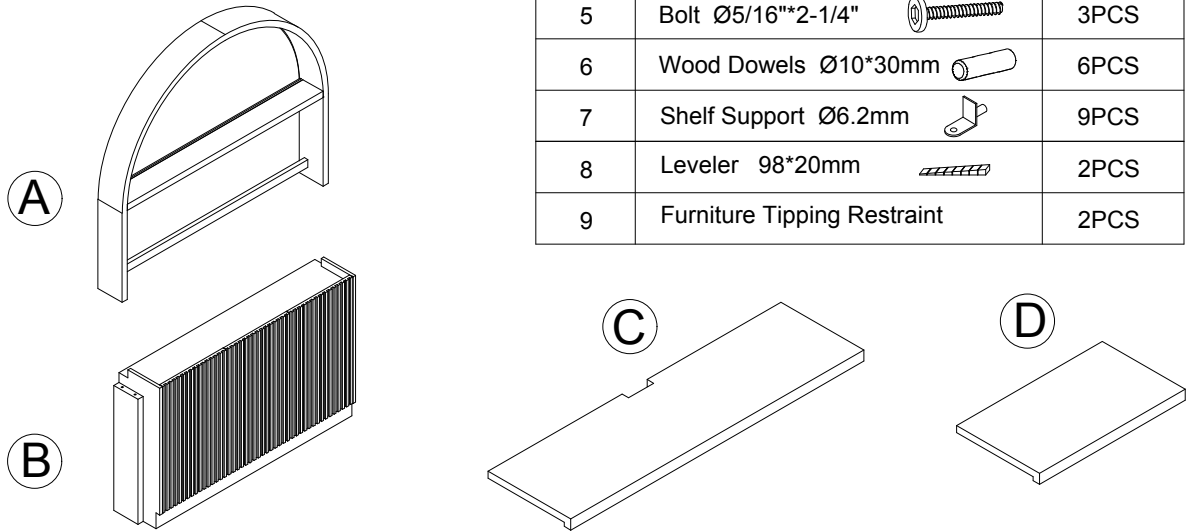
RAMGAMEROOM.COM

MODEL:PROBACBAR

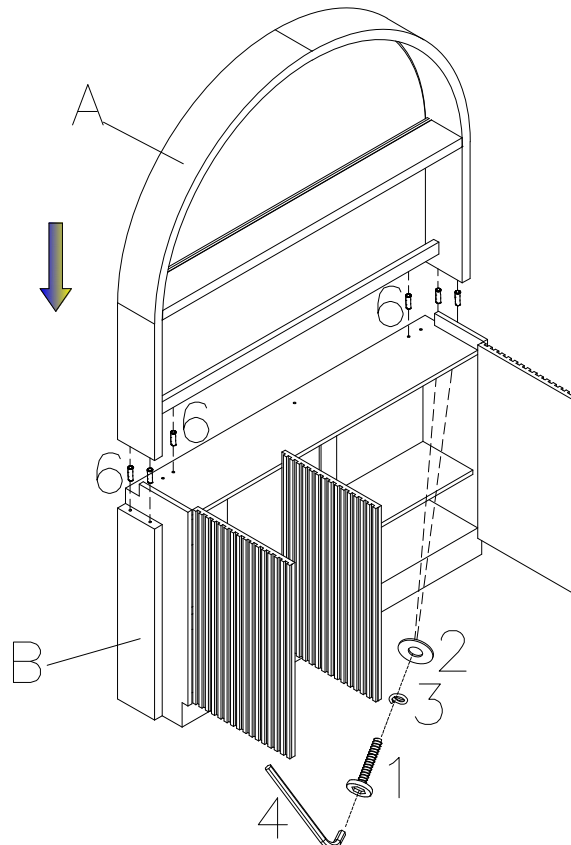
Read this instruction carefully. Refer hardware and furniture parts list for guidance. Be sure all parts are complete before assembling. Place all wooden furniture parts on a clean and flat soft surface to prevent scratches. Refer steps provided as assembling guide.

PART LIST		
ITEM	DESCRIPTION	QTY
A	Upper Frame	1PC
B	Base Cabinet	1PC
C	Big Adjustable Shelf	1PC
D	Small Adjustable Shelf	1PC

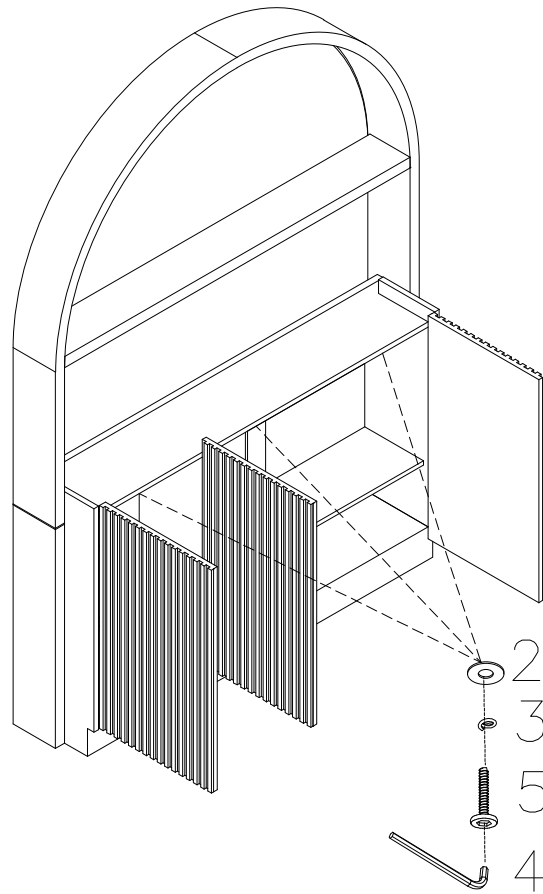
HARDWARE LIST		
ITEM	DESCRIPTION	QTY
1	Bolt $\varnothing 5/16'' \times 1-1/2''$ 	4PCS
2	Washer $\varnothing 5/16''$ 	7PCS
3	Lock Washer $\varnothing 5/16''$ 	7PCS
4	Allen Washer 5mm 	1PC
5	Bolt $\varnothing 5/16'' \times 2-1/4''$ 	3PCS
6	Wood Dowels $\varnothing 10 \times 30\text{mm}$ 	6PCS
7	Shelf Support $\varnothing 6.2\text{mm}$ 	9PCS
8	Leveler $98 \times 20\text{mm}$ 	2PCS
9	Furniture Tipping Restraint	2PCS



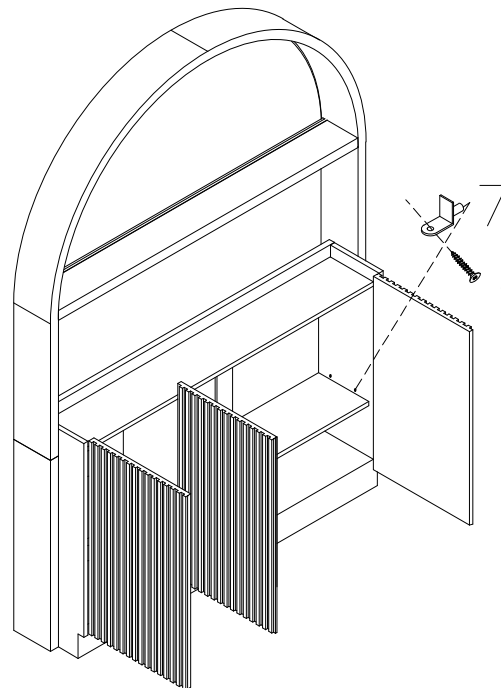
STEP 1



STEP 2

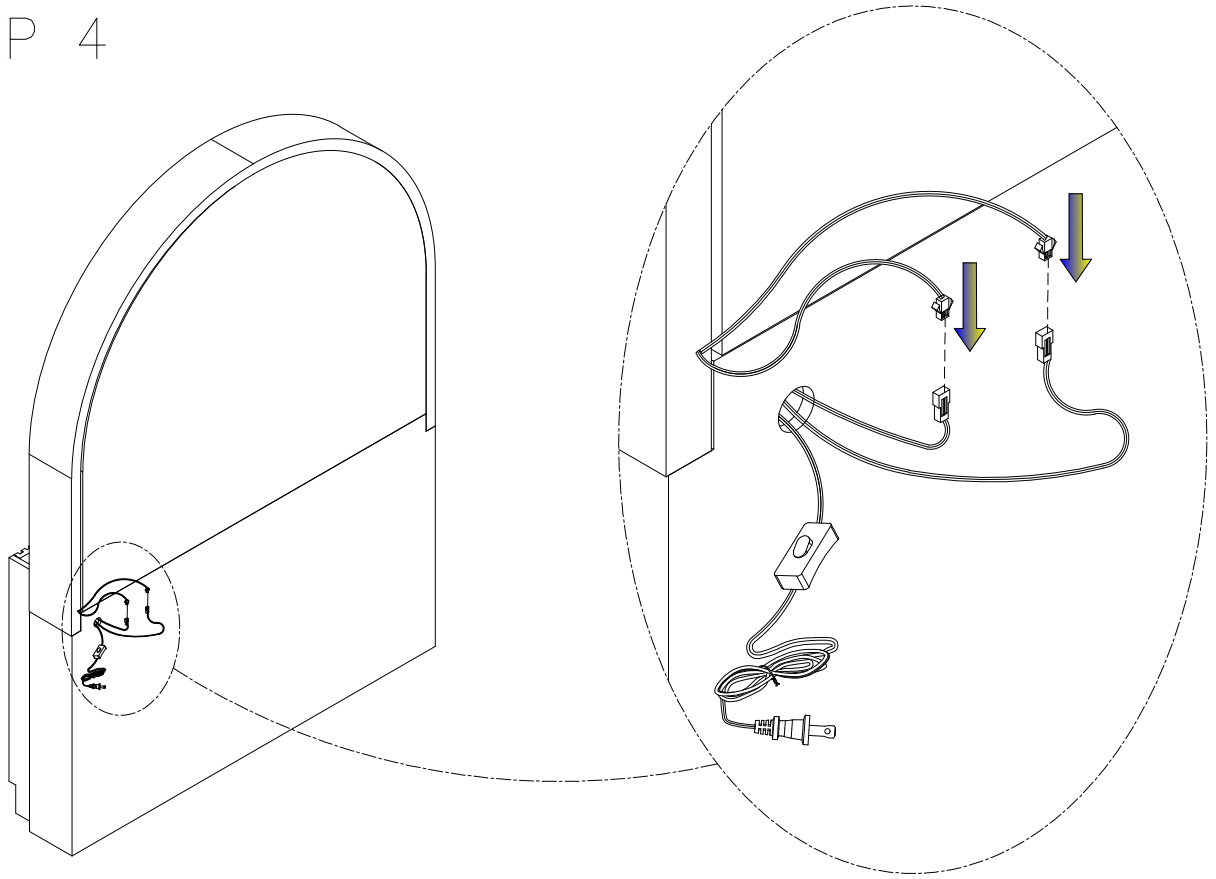


STEP 3



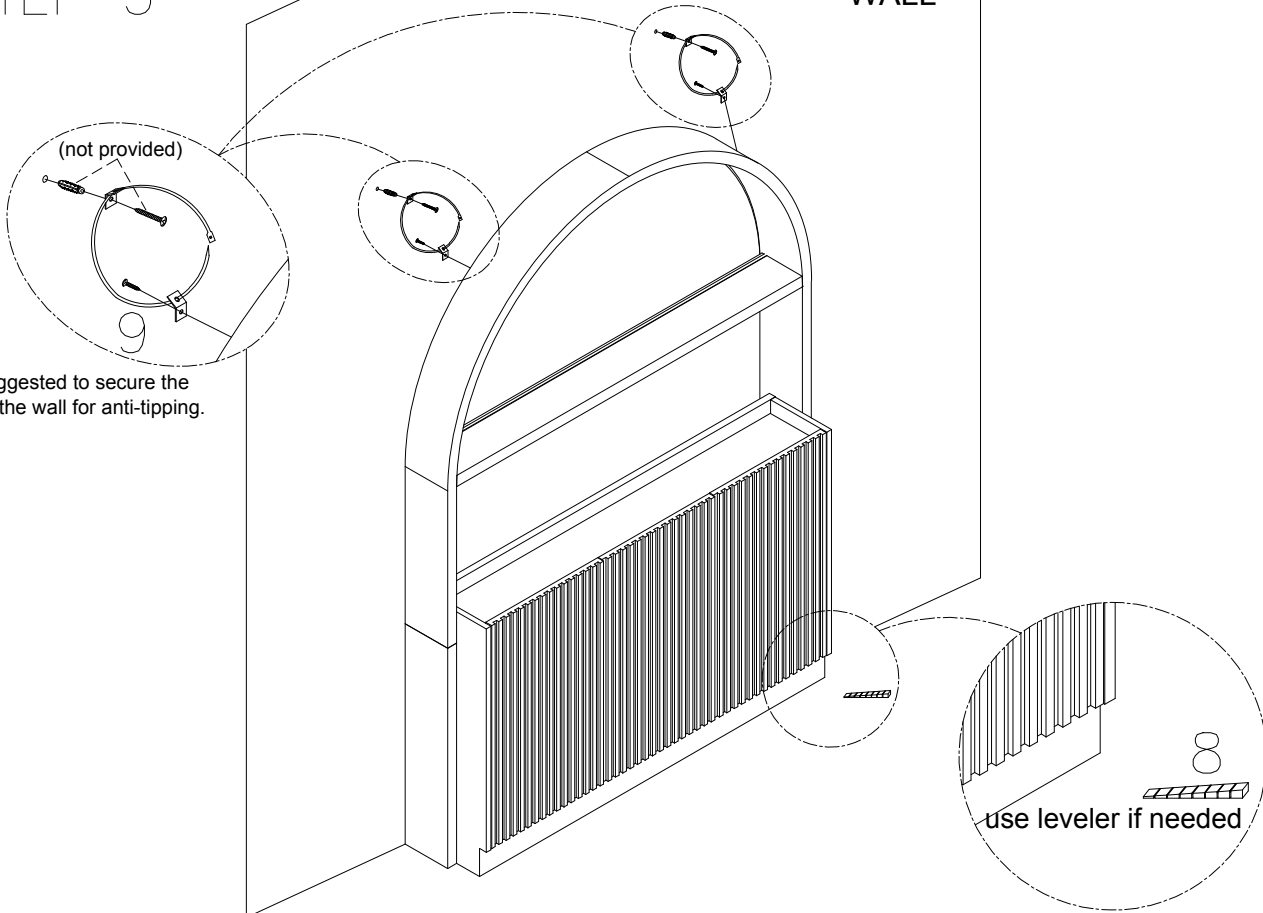
the adjustable shelf is fixed to shelf pins for shipping, unscrew from underneath to loose the adjustable shelf

STEP 4



STEP 5

WALL



It is suggested to secure the unit to the wall for anti-tipping.

use leveler if needed