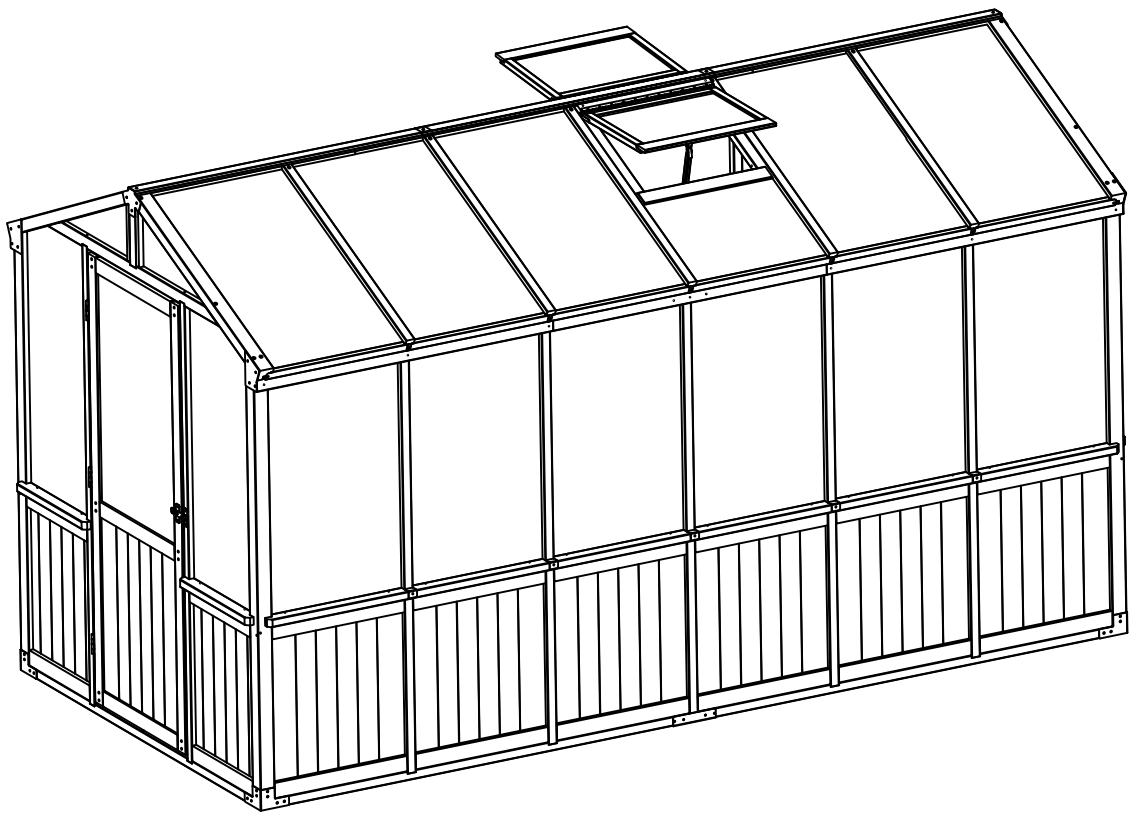


ASSEMBLY INSTRUCTION

6x12FT WOOD GREENHOUSE

ITEM NO.: WGH0612



Before You Start

Please read all instruction carefully.

Retain instructions for future reference.

Separate and count all parts and Hardware.

Read through each step carefully and follow the proper order.

Keep all small parts and packaging materials for this product

Important Safety Instructions



Warning! To reduce the risk of serious injury, read the following safety instructions before assembling and using the greenhouse.

Please check with your local governing authority/local municipal codes regarding installation of structures before assembly.

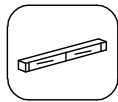
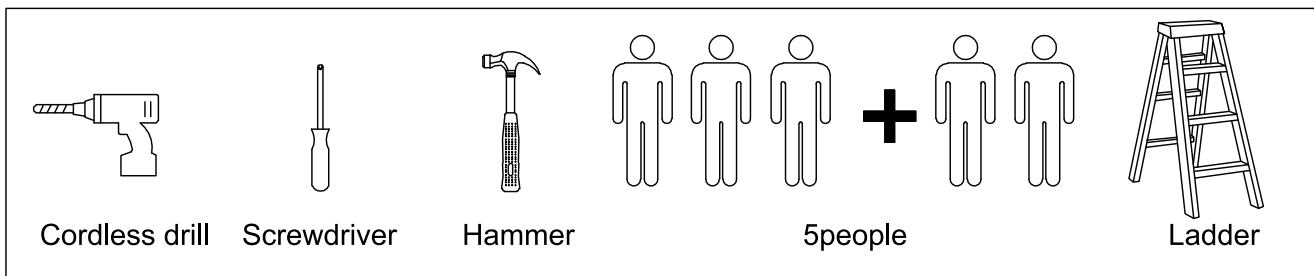
Caution! Proper placement of your greenhouse is essential.
Do not place the product underneath electrical lines.
Keep children away during assembly.
This product contains small parts which can be swallowed by children.
Keep fingers away from the places where they can be pinched or trapped.
Do not attempt to assemble the greenhouse if any parts are missing.

- This product is intended for domestic outdoor use only.
- The product should be placed on flat, horizontal ground.
- Ensure enough clearance around the product. Before assembling the product, find level ground not less than 6' (1.8 m) away from any structures or obstructions, such as fences, garages, houses, overhanging branches, laundry lines, or electrical wires.
- This greenhouse is not to be regarded as part of a building/house structure. The greenhouse is to be anchored onto the ground for added safety. Do not assemble the it onto soil/earth ground. It is best advisable to have the greenhouse built onto a wooden deck or concrete ground for stability. If it's to be build onto a wooden deck/ground, do ensure that the wood deck/ground has a strong foundation. It is advisable to use appropriate floor plugs to anchor the greenhouse onto the wooden/concrete ground.
- Some structures may require two or more people to install safely. Check for underground utilities before digging or driving stakes into the ground.
- During installation, follow all safety warnings provided with your tools, and use safety glasses.
- In case you set up more than one greenhouse, keep a minimum distance of 10' (3 m) between the gazebos or greenhouse.
- Any assembly or maintenance of the product must be carried out by adults only.
- Arrange necessary manpower when assembling or moving the product.
- Some parts may contain sharp edges. Wear protective gloves if necessary.
- Keep children and pets away while setting up the greenhouse.
- Check all nuts and bolts periodically to ensure bolts/nuts are tightened.
- Repairing and replacing parts should be done by a qualified technician.
- Do not light any fires inside or near the product!
- Stay calm if fire breaks out. Search for the nearest exit. Do not return to the greenhouse before firemen allow you to do so.
- Do not hang heavy weights on the roof frame.
- Do not climb onto the roof of the greenhouse. Falling off the greenhouse can result in serious injury.
- Retain the original packaging to store the greenhouse.

Country of Origin: China

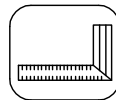
IMPORTANT:

- Please read and understand this manual before any assembly. Before beginning assembly of product, make sure all parts are present. Compare parts with packaging contents list.
- If any part is missing, or if you have any questions, contact the service centre .
- When assembling wooden parts, do not overtorque the bolts to avoid splitting the wood. See image illustration.
- Place all parts from the box in a cleared area and position them on the floor in front of you.
- Remove all packing materials and place them back into the box. Do not dispose of the packing materials until assembly is complete.
- Read each step carefully before beginning any assembly and make sure you understand each step. If you are missing a part, please email : aftersales.group.sam@gmail.com
- Needed for assembly: (The following tools are not included)



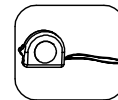
Use Level

Check that assembly is properly level before proceeding.



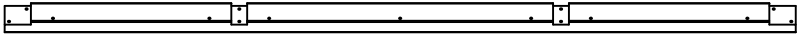

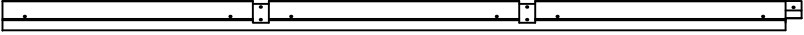

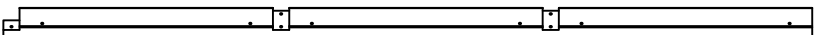



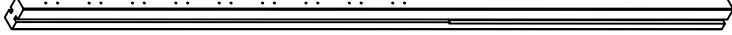

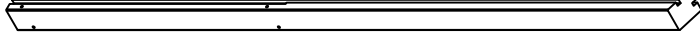
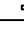
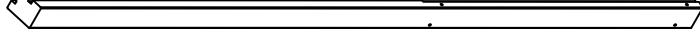
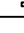
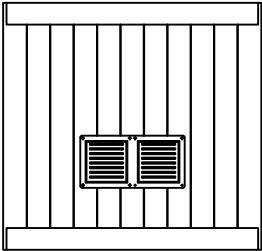

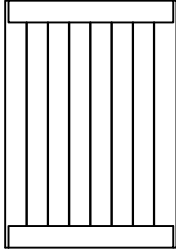

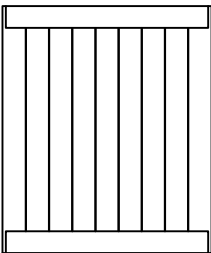

Square Assembly

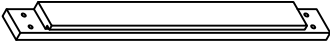

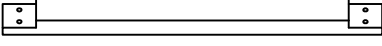

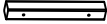

















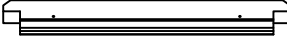









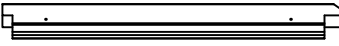

Check that assembly is square before tightening bolts.





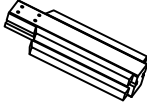
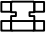
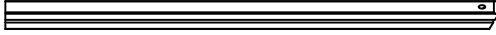

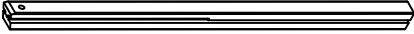
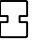


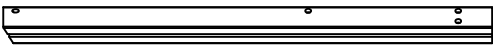

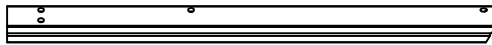

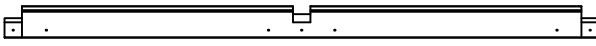

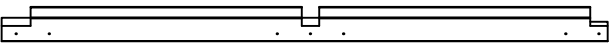

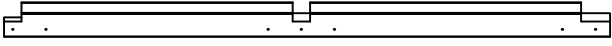

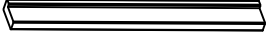



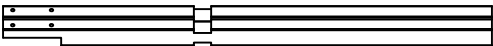



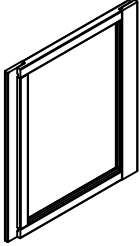





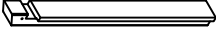

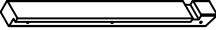

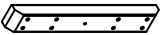





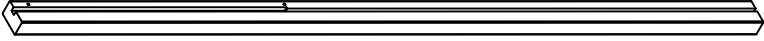

Measure Distance


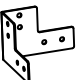









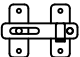
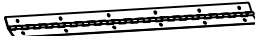
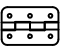





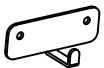


PARTS LIST

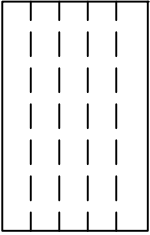
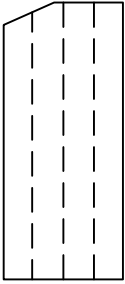
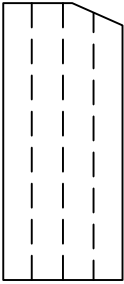
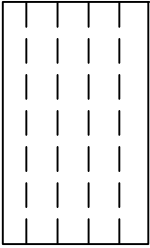
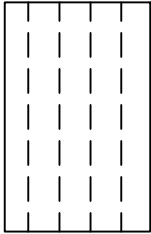
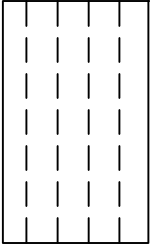
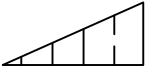
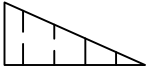
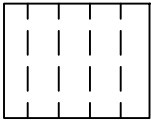
LABEL	QTY	REFERENCE IMAGE	
01A	2	 <p data-bbox="1110 376 1217 398">60*36*1800</p>	
01L	2	 <p data-bbox="1110 510 1217 533">60*36*1788</p>	
01R	2	 <p data-bbox="1110 656 1217 678">60*36*1788</p>	
02A	10	 <p data-bbox="1110 768 1238 790">60*36*1704.4</p>	
02B	2	 <p data-bbox="1110 902 1217 925">60*36*1800</p>	
02L	2	 <p data-bbox="1110 1037 1238 1059">60*60*1704.4</p>	
02R	2	 <p data-bbox="1110 1171 1238 1193">60*60*1704.4</p>	
03A	1		
03B	4		
03C	13		


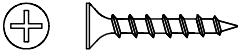
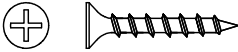


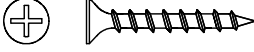
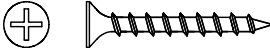
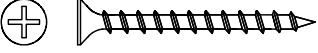
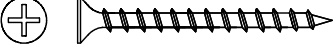
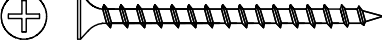


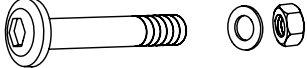

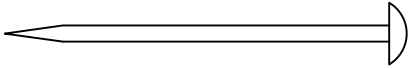

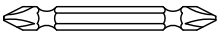
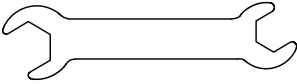
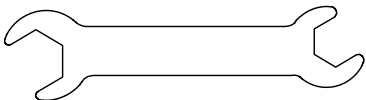
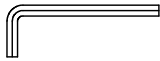
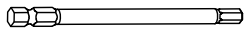
LABEL	QTY	REFERENCE IMAGE	
04A	2	 <div style="text-align: right; margin-right: 50px;">60*36*680</div>	
04B	1	 <div style="text-align: right; margin-right: 50px;">60*36*680</div>	
04C	2		
04L	1	 <div style="text-align: right; margin-right: 50px;">60*36*1757</div>	
04R	1	 <div style="text-align: right; margin-right: 50px;">60*36*1757</div>	
05A	24	 <div style="text-align: right; margin-right: 50px;">30*10*558</div>	
05B	4	 <div style="text-align: right; margin-right: 50px;">30*10*454</div>	
05C	1	 <div style="text-align: right; margin-right: 50px;">30*10*695</div>	
05D	12	 <div style="text-align: right; margin-right: 50px;">44*18*558</div>	
05E	4	 <div style="text-align: right; margin-right: 50px;">44*18*454</div>	
05F	1	 <div style="text-align: right; margin-right: 50px;">44*18*694</div>	
06A	2	 <div style="text-align: right; margin-right: 50px;">60*30*514</div>	
06B	8	 <div style="text-align: right; margin-right: 50px;">60*30*595</div>	
06C	1	 <div style="text-align: right; margin-right: 50px;">60*30*503</div>	
06D	1	 <div style="text-align: right; margin-right: 50px;">60*30*503</div>	
06E	1	 <div style="text-align: right; margin-right: 50px;">60*30*731</div>	
06L	2	 <div style="text-align: right; margin-right: 50px;">60*30*607</div>	

LABEL	QTY	REFERENCE IMAGE	
06R	2	 <p data-bbox="1118 342 1214 365">60*30*607</p>	
07	2		
08	2		
09A	6	 <p data-bbox="1118 741 1246 763">48*36*1018.6</p>	
09B	2	 <p data-bbox="1118 875 1246 898">48*36*1018.6</p>	
09C	2	 <p data-bbox="1118 1010 1246 1032">48*36*1018.6</p>	
09L	2	 <p data-bbox="1118 1133 1230 1155">60*48*1010</p>	
09R	2	 <p data-bbox="1118 1267 1230 1290">60*48*1010</p>	
10A	2	 <p data-bbox="1118 1402 1230 1424">80*24*1228</p>	
10B	2	 <p data-bbox="1118 1536 1230 1559">80*24*1252</p>	
10C	2	 <p data-bbox="1118 1671 1230 1693">80*24*1252</p>	
11	12	 <p data-bbox="1118 1805 1246 1827">60*30*20*555</p>	
13A	1	 <p data-bbox="1118 1939 1230 1962">70*48*1800</p>	
13B	2	 <p data-bbox="1118 2074 1230 2096">70*48*1010</p>	

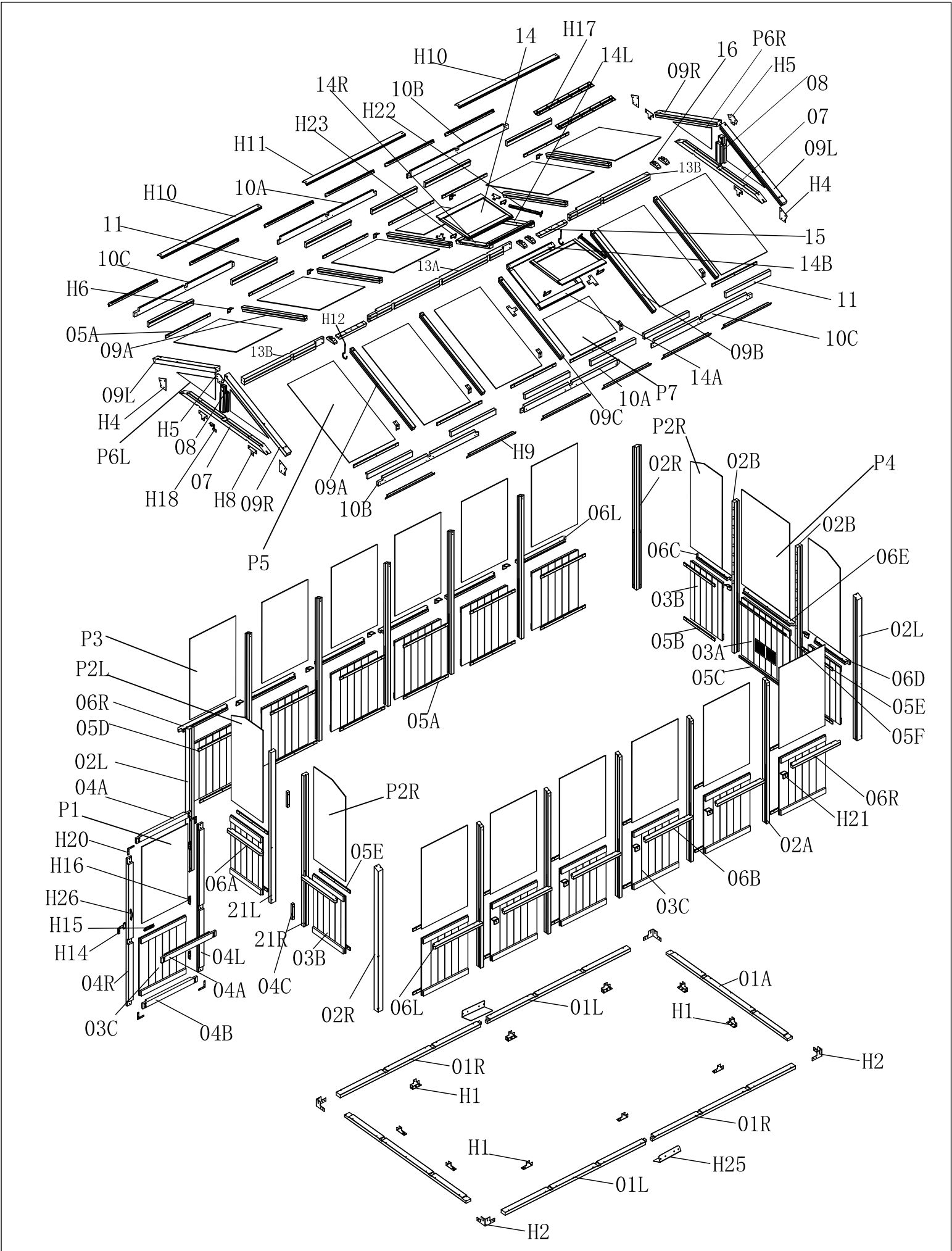
LABEL	QTY	REFERENCE IMAGE		
14	2			
14A	2		60*36*559	
14B	2		54.2*24*559	
14L	2		50*32*490	
14R	2		50*32*490	
15	2			
16	5			
21L	1		60*36*1800	
21R	1		60*36*1800	

LABEL	QTY	REFERENCE IMAGE	LABEL	QTY	REFERENCE IMAGE
H1	10		H2	4	
H4	4		H5	2	
H6	10		H8	8	
H9	12		H10	2	
H11	1		H12	2	
H15	1		H14	1	
H17	2		H16	3	
H20	4		H18	1	
H22	2		H21	12	
H24	1		H23	4	
H26	1		H25	2	

LABEL	QTY	REFERENCE IMAGE	LABEL	QTY	REFERENCE IMAGE
P1	1	 <p data-bbox="411 577 580 613">(909x577)</p>	P2L	2	 <p data-bbox="1157 589 1347 624">(1098x473)</p>
P2R	2	 <p data-bbox="411 1019 601 1055">(1098x473)</p>	P3	12	 <p data-bbox="1203 1023 1374 1059">(960x577)</p>
P4	1	 <p data-bbox="402 1402 592 1438">(1098x714)</p>	P5	10	 <p data-bbox="1184 1413 1377 1449">(1002x577)</p>
P6L	2	 <p data-bbox="414 1671 585 1706">(557x248)</p>	P6R	2	 <p data-bbox="1189 1671 1359 1706">(557x248)</p>
P7	2	 <p data-bbox="405 1973 576 2009">(577x460)</p>			

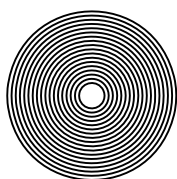
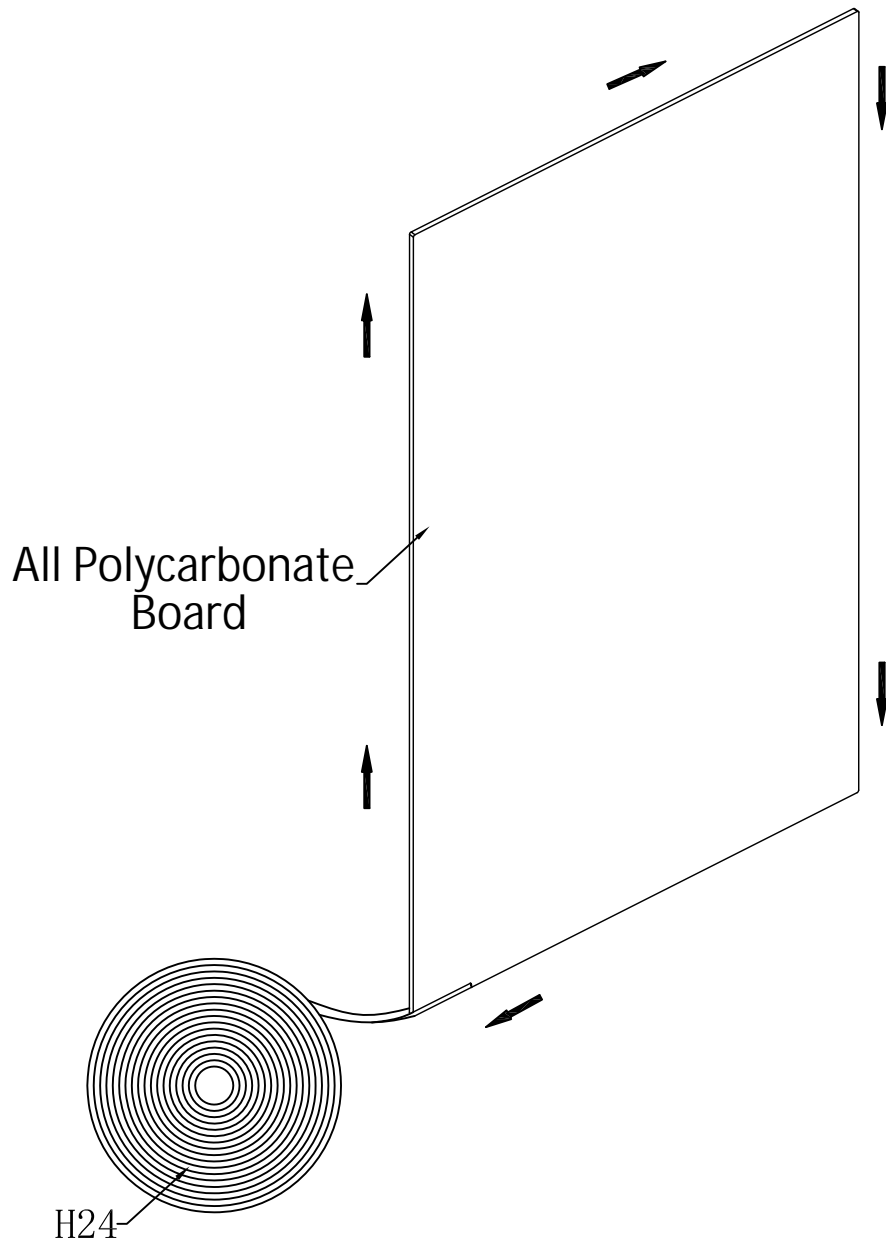
LABEL	QTY	DESCRIPTION	REFERENCE IMAGE
AA-1	36+2	M3x20	
AA-2	12+2	M3x20	
AA-3	2+1	M3x18	
AA-4	4+1	M3x40	
BB-2	216+15	M4x25	
BB-3	91+7	M4x30	
BB-4	65+4	M4x40	
BB-5	123+10	M4x50	
BB-6	133+12	M4x60	
BB-9	16+2	M4x90	
00	50	M5	
DD-3	12+1	M6x35	
DD-5	8+1	M6x55	
MM-1	12+1	M6	
UU	20	∅6x200	
QQ	10	M10x80	
Y2	2	M6	
Y3	1	M6	
Y4	1	M10	
Y6	1	M6	
Y7	1	M6	

EXPLODED DRAWING



STEP. 1

Use the Part (H24) to wrap around 4 sides of the polycarbonate board, making sure all edges snap into place to seal the edges.

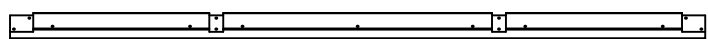
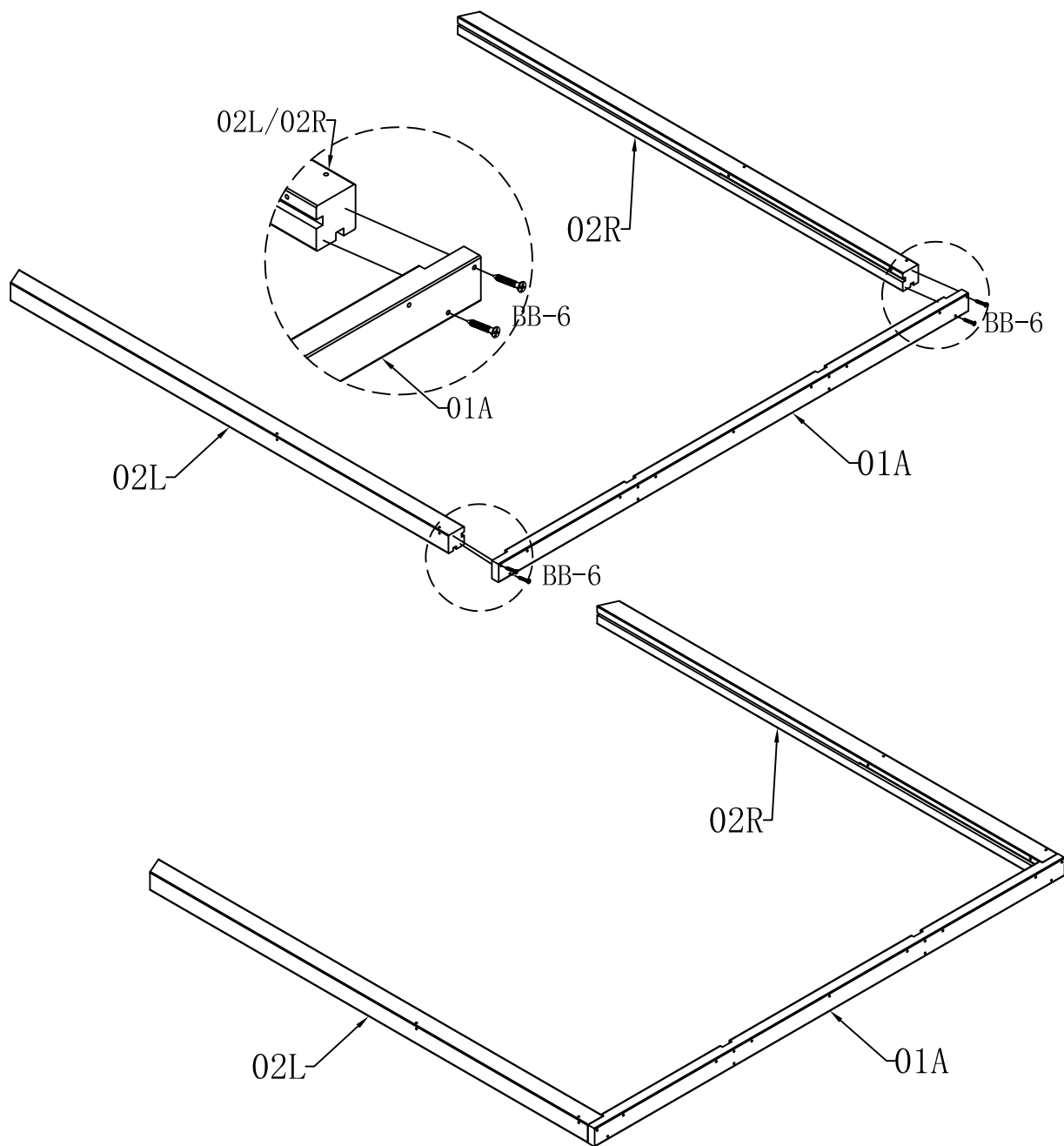


H24

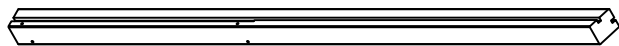
1X

STEP. 2

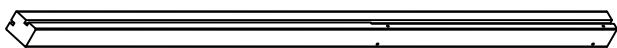
Attach the Part (01A) to connect the Part (02L) and Part (02R) by Screw (BB-6).



01A 1X



02L 1X



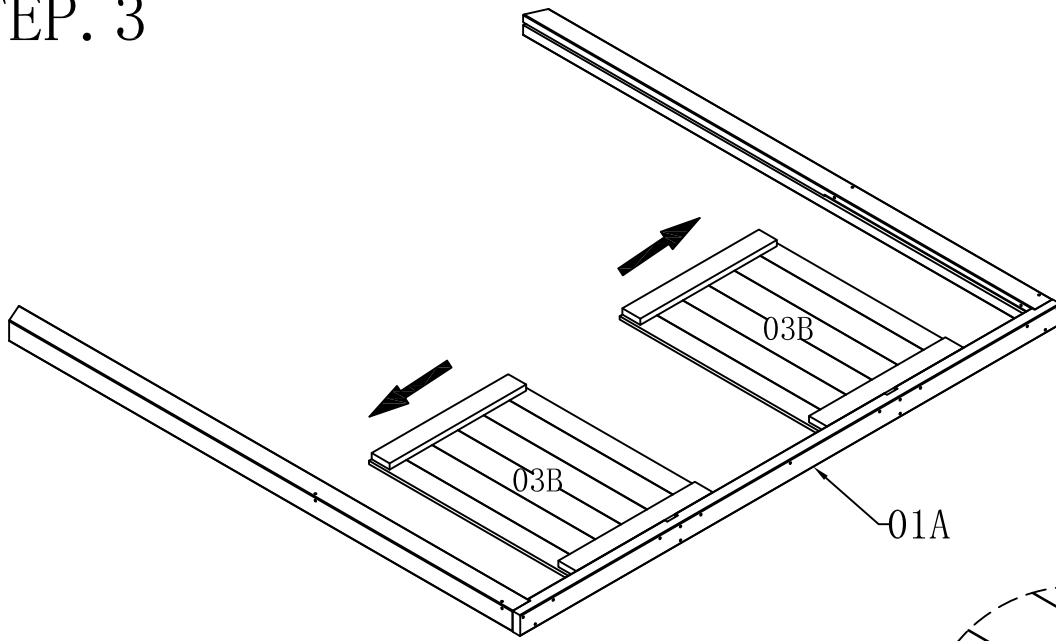
02R 1X



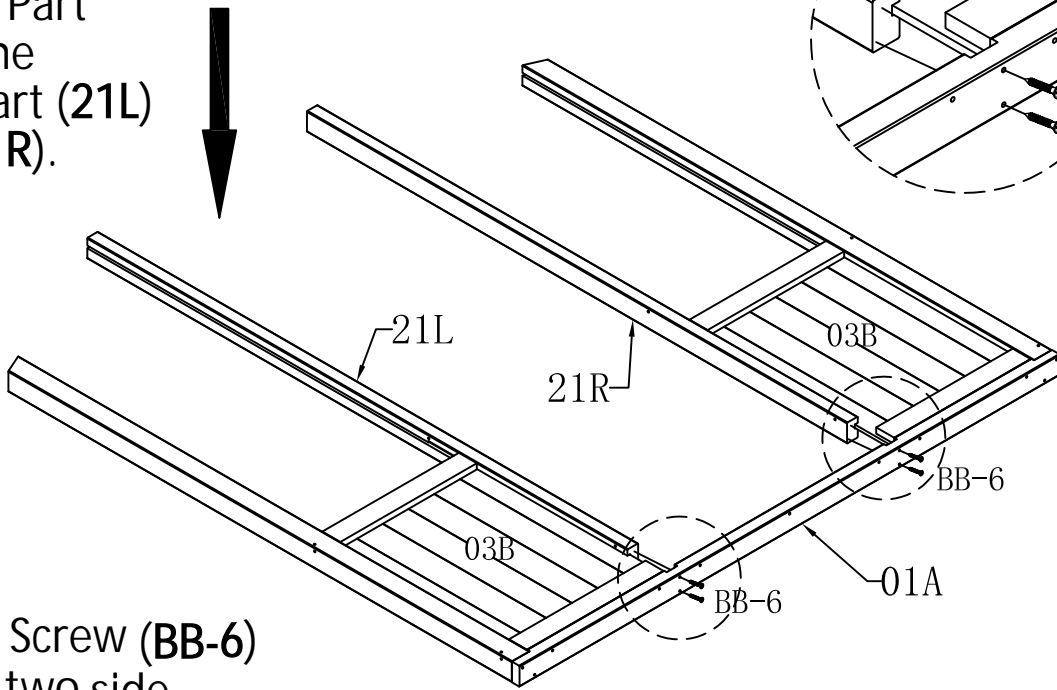
M4x60 BB-6 4X

STEP. 3

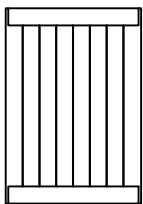
Attach Part (03B) to the Part (01A).



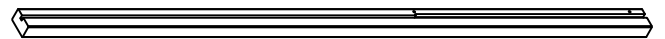
Connect Part (03B) into the groove of Part (21L) and Part (21R).



Use the Screw (BB-6) to fix both two side.



(03B) 2X



(21L) 1X

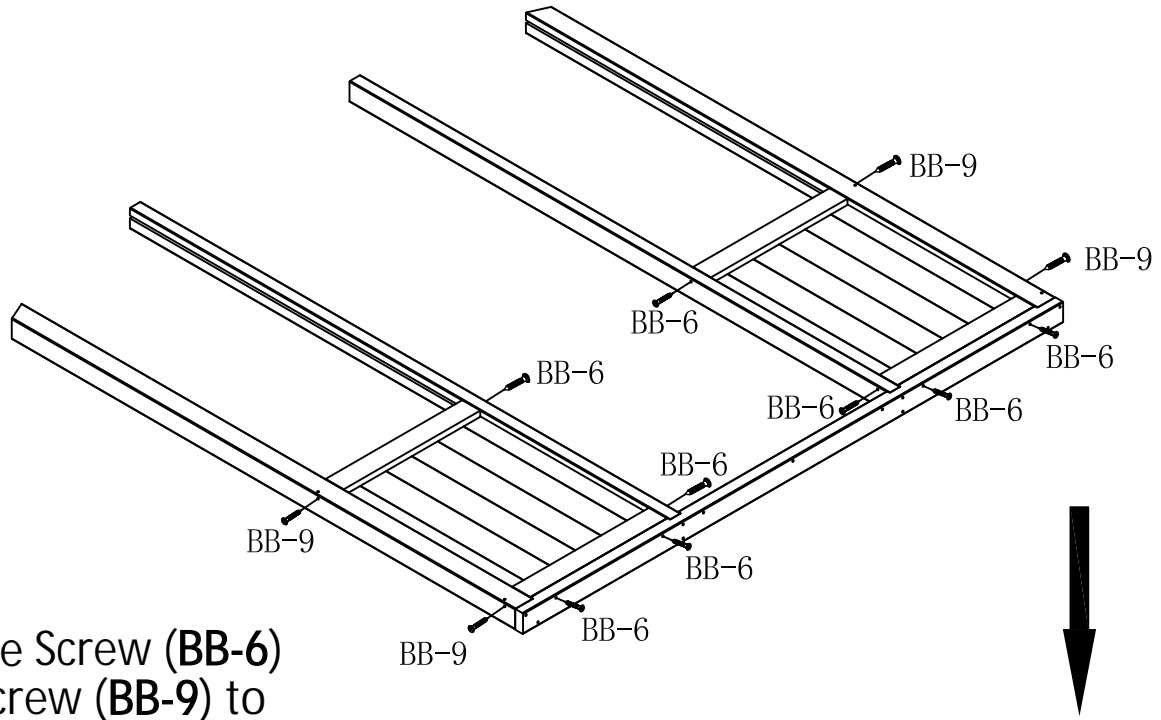


(21R) 1X

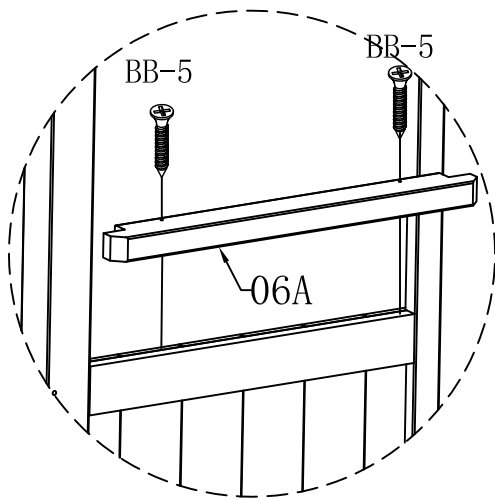


M4x60 (BB-6) 4X

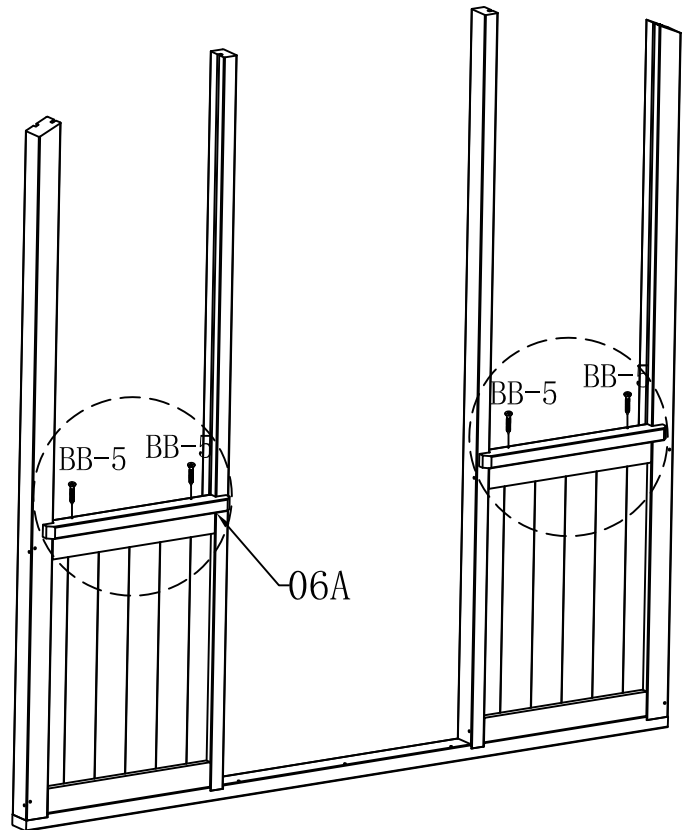
STEP. 4



Use Screw (BB-6)
and Screw (BB-9) to
fix the frame.



Connect the Part (06A)
to above frame by Screw
(BB-5).



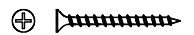
06A 2X



M4x50 BB-5 4X



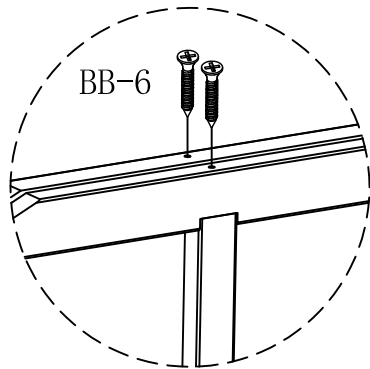
M4x60 BB-6 8X



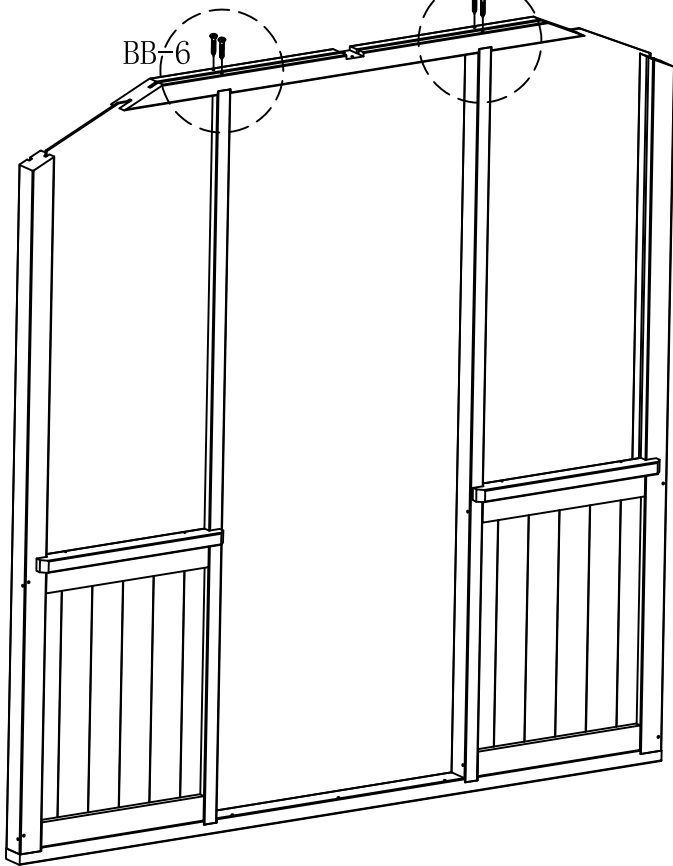
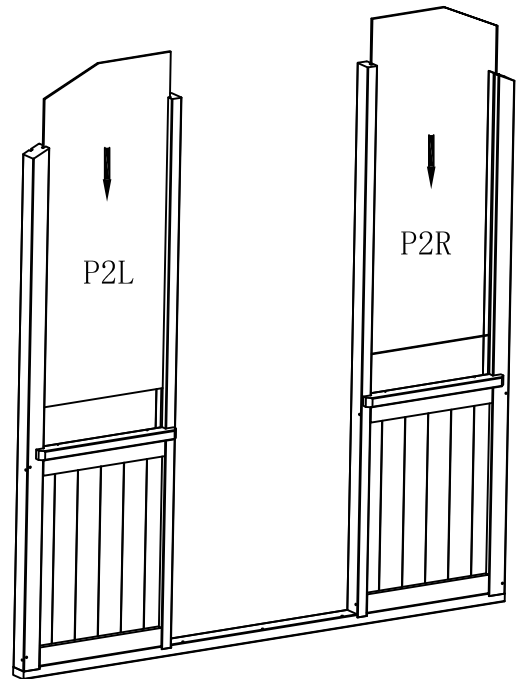
M4x90 BB-9 4X

STEP. 5

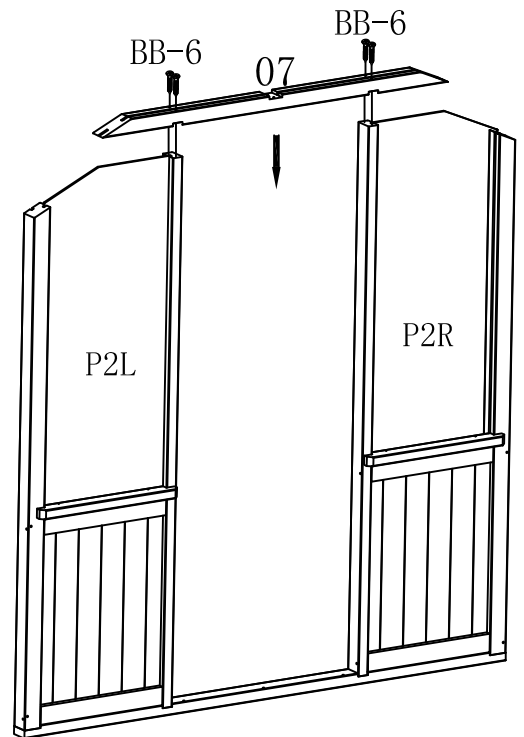
Insert door polycarbonateboard Part (P2L) and Part (P2R) into the assembled door frame.



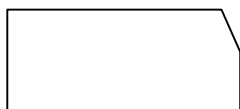
STEP. 1



STEP. 2



Insert Part (07) to polycarbonate board, then use the Screw (BB-6) to fix.



(P2L) 1X

(1098x473)

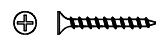


(P2R) 1X

(1098x473)



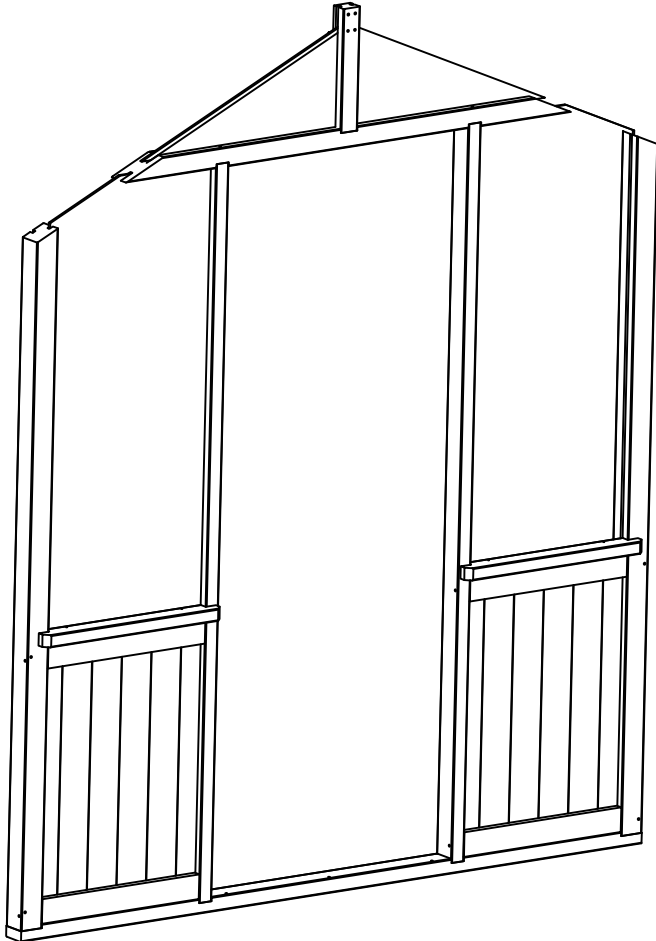
(07) 1X



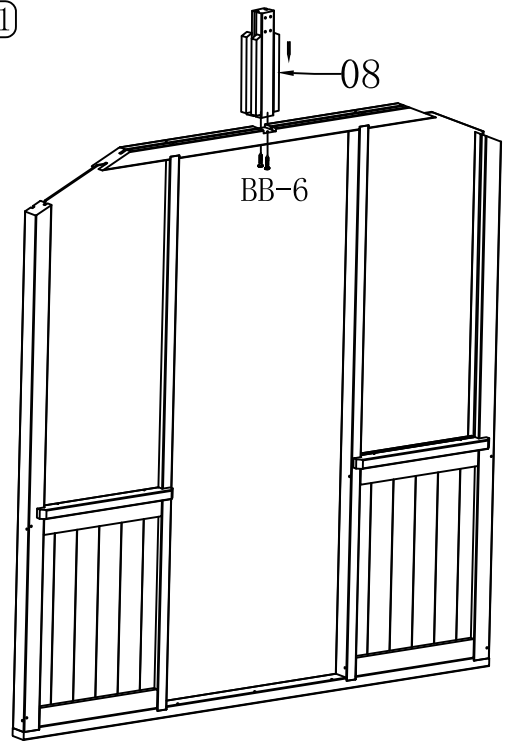
M4x60 (BB-6) 4X

STEP. 6

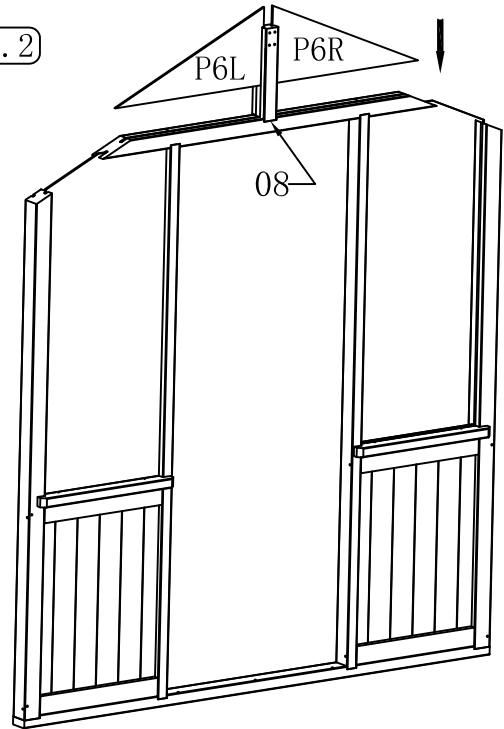
Connect the Part (08) to the door beam by Screw (BB-6).



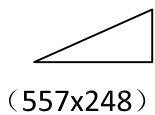
STEP. 1



STEP. 2

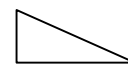


Insert the Part (P6L) and Part (P6R) into Part (08).



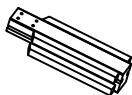
(P6L) 1X

(557x248)



(P6R) 1X

(557x248)



(08) 1X

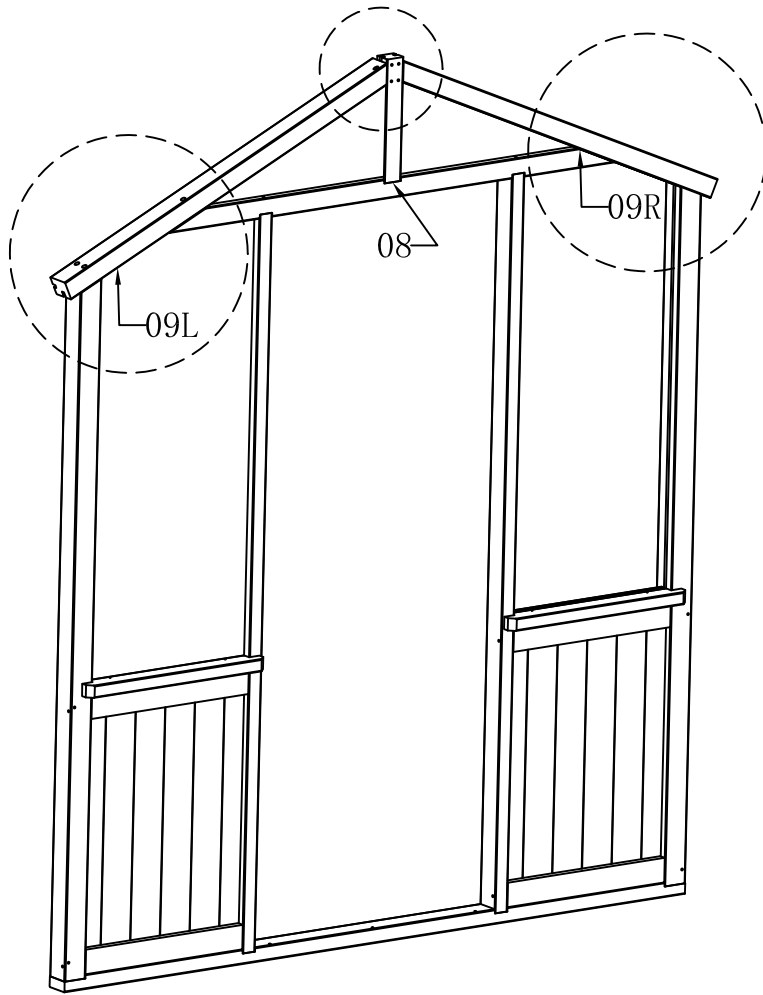


M4x60 (BB-6) 2X

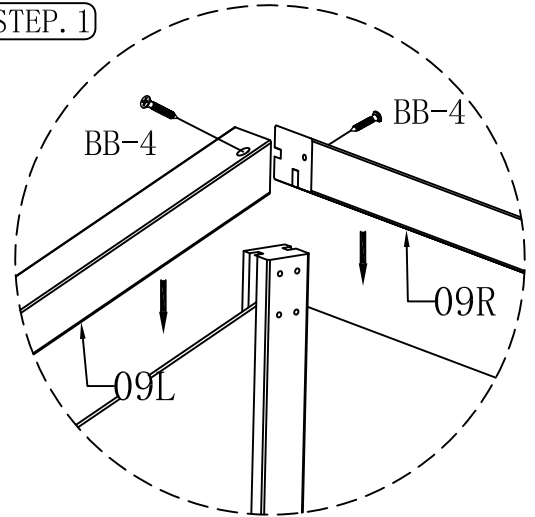
STEP. 7

Connect the Part (09L) and Part (09R) to the Part (08) by Screw (BB-4) and Screw (BB-6).

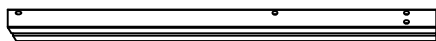
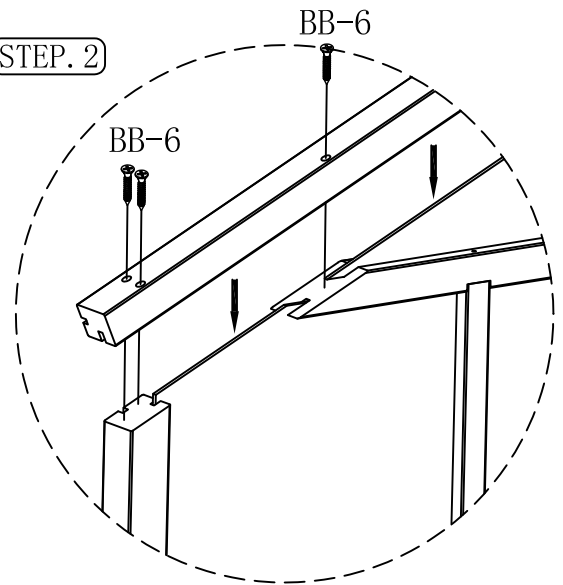
* Please note the polycarbonate board need to be insert into the wood frame, then fix the screw.



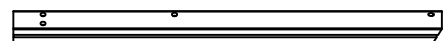
STEP. 1



STEP. 2



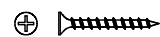
(09L) 1X



(09R) 1X



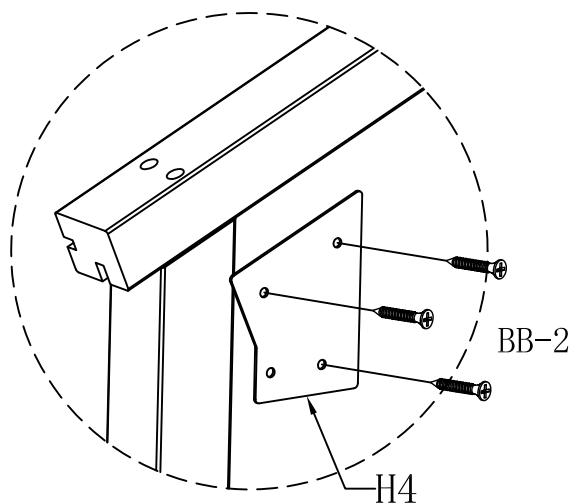
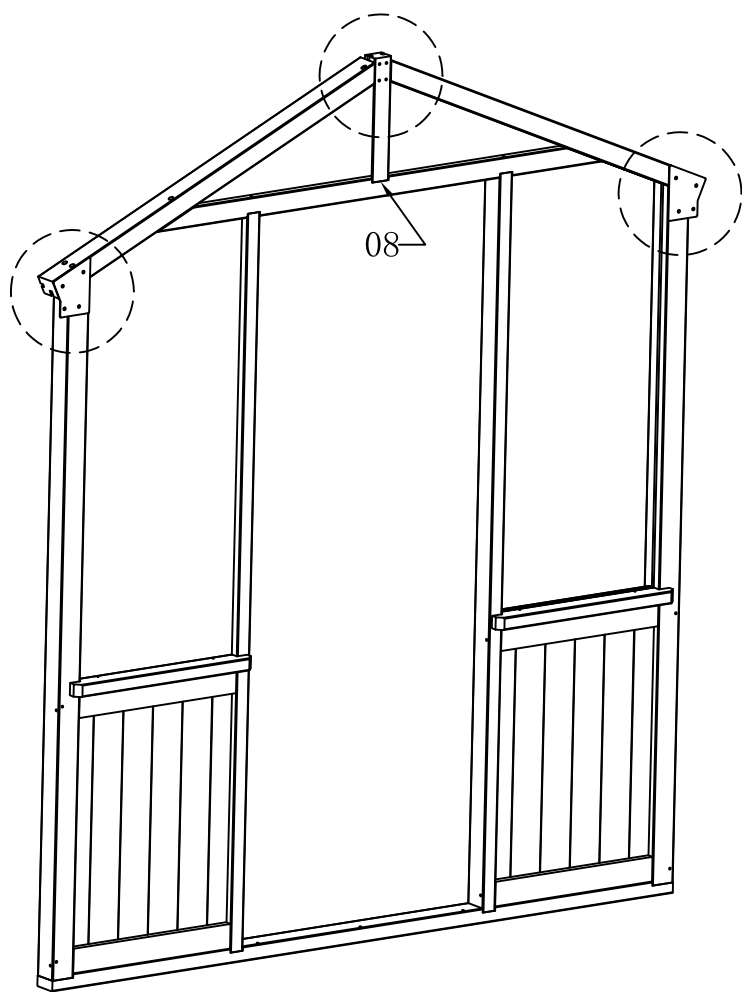
M4x40 (BB-4) 2X



M4x60 (BB-6) 6X

STEP. 8

Connect the Part (H4) to the assembled frame by Screw (BB-2).



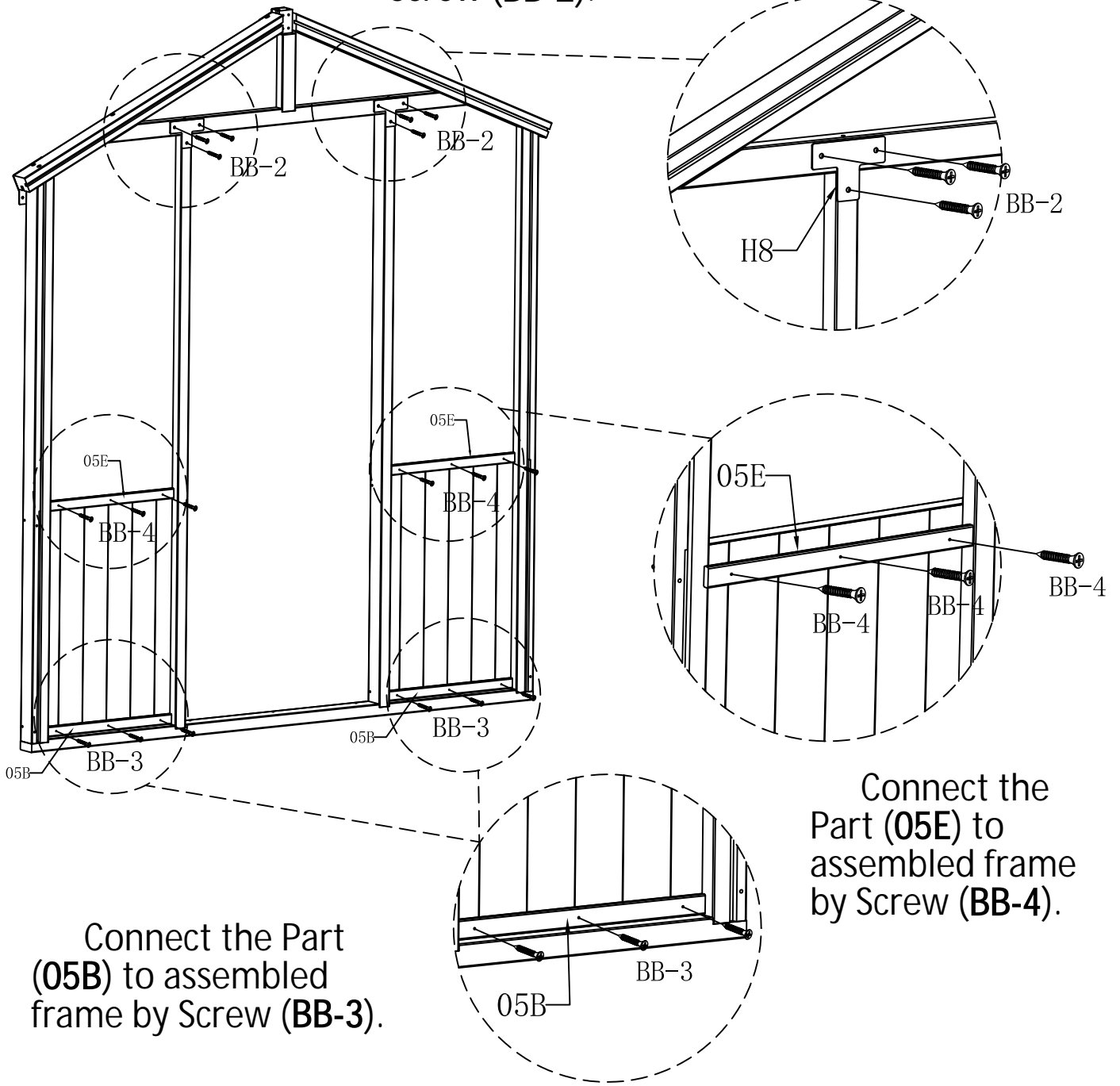
(H4) 2X



M4x25 (BB-2) 6X

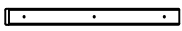
STEP. 9

Connect the Part (H8) to assembled frame by Screw (BB-2).



Connect the Part (05B) to assembled frame by Screw (BB-3).

Connect the Part (05E) to assembled frame by Screw (BB-4).



05B 2X



05E 2X



H8 2X



M4x40 BB-4 6X



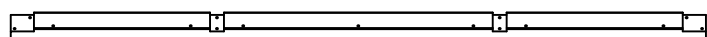
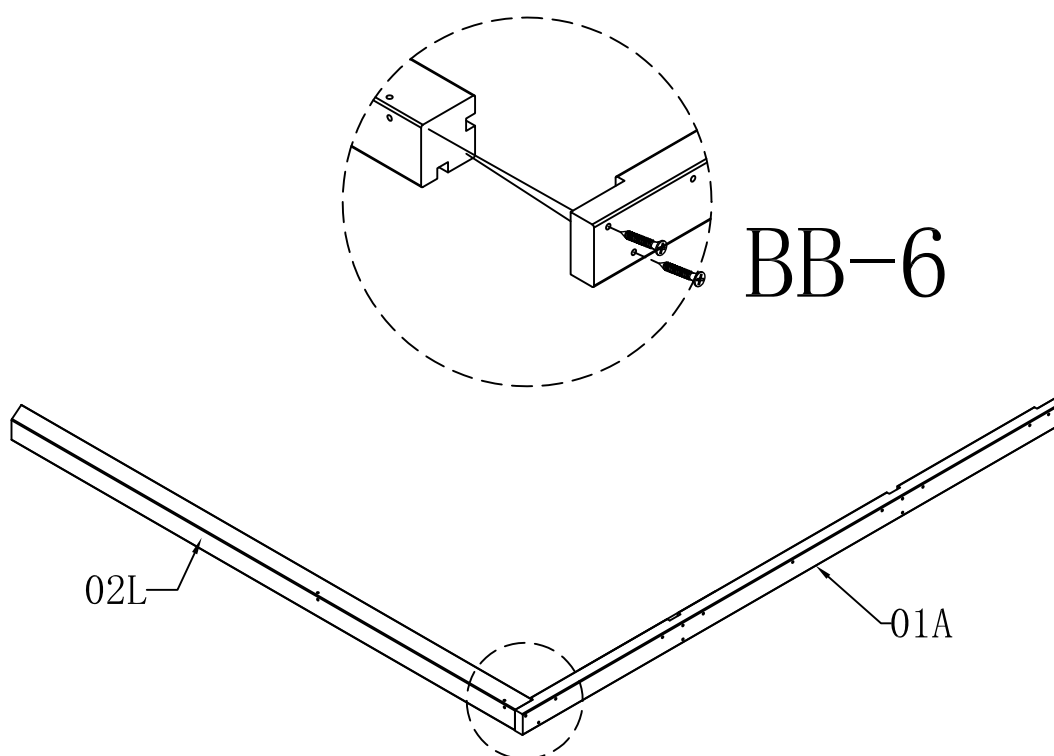
M4x30 BB-3 6X



M4x25 BB-2 6X

STEP. 10

Connect Part (02L) and Part (01A) by Screw (BB-6).



(01A) 1X



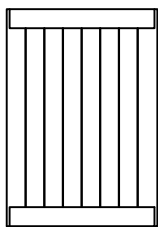
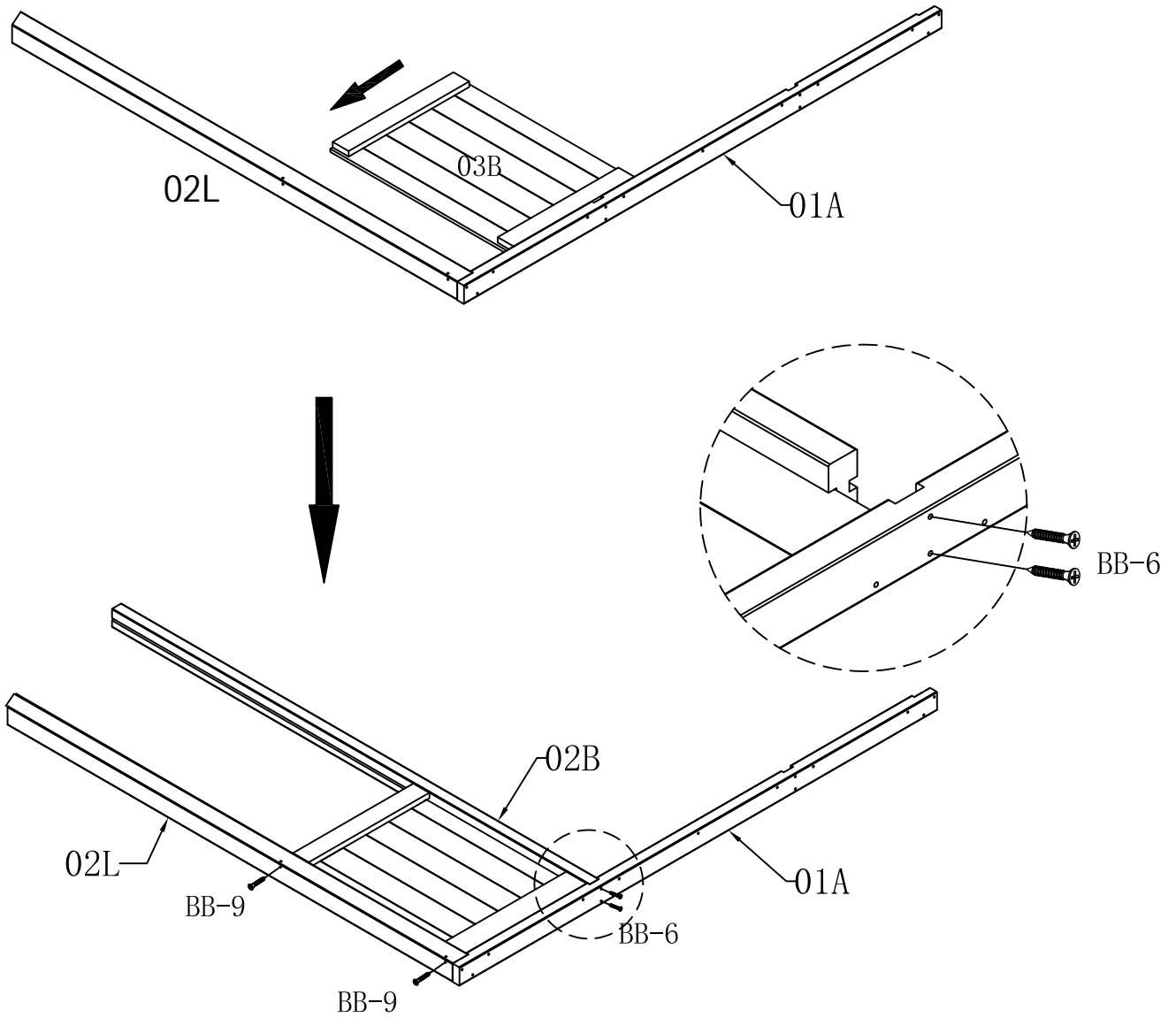
(02L) 1X



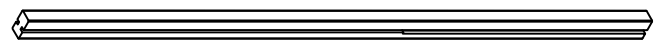
M4x60 (BB-6) 2X

STEP. 11

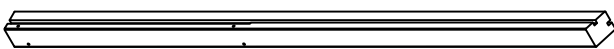
Connect the Part (03B) into the groove of Part (02L) and Part (02B), then use the Screw (BB-6) and (BB-9) to fix.



(03B) 1X



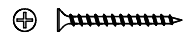
(02B) 1X



(02L) 1X



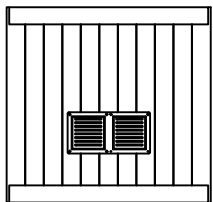
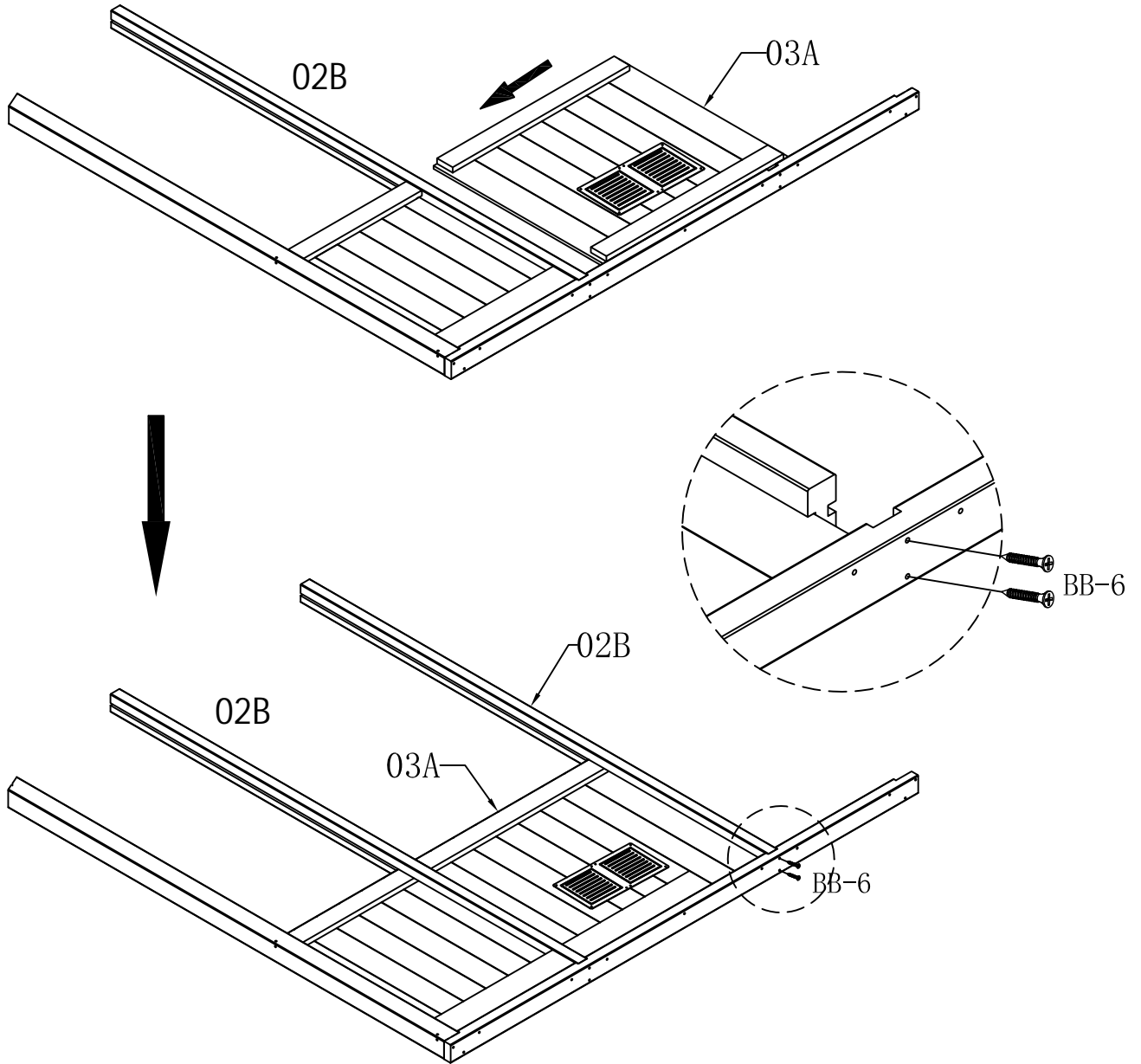
M4x60 (BB-6) 2X



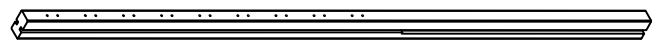
M4x90 (BB-9) 2X

STEP. 12

Connect the Part (03A) into the groove of Part (02B), then use the Screw (BB-6) to fix.



03A 1X

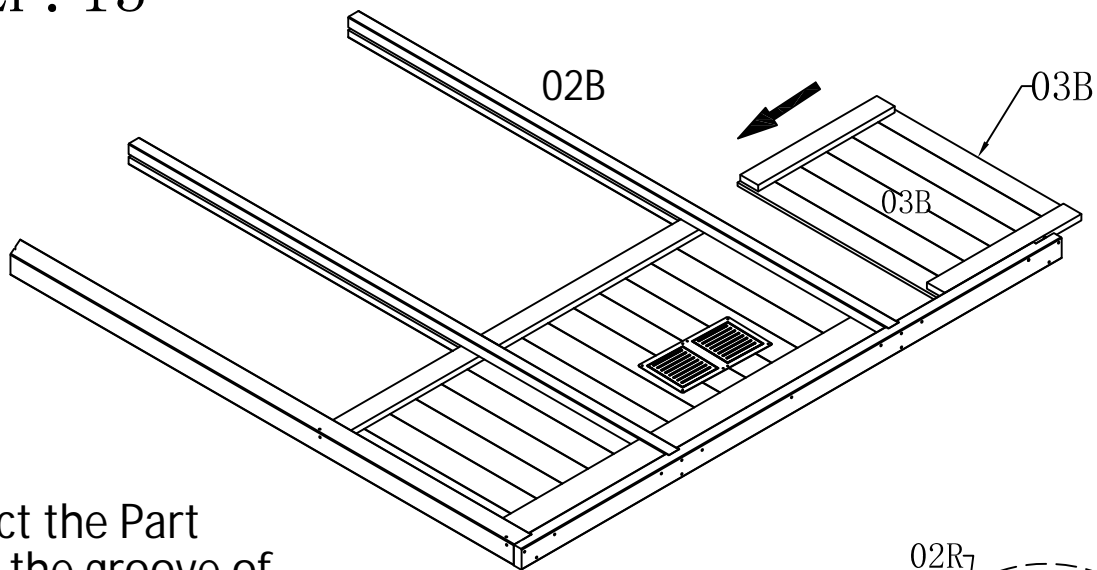


02B 1X



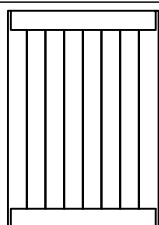
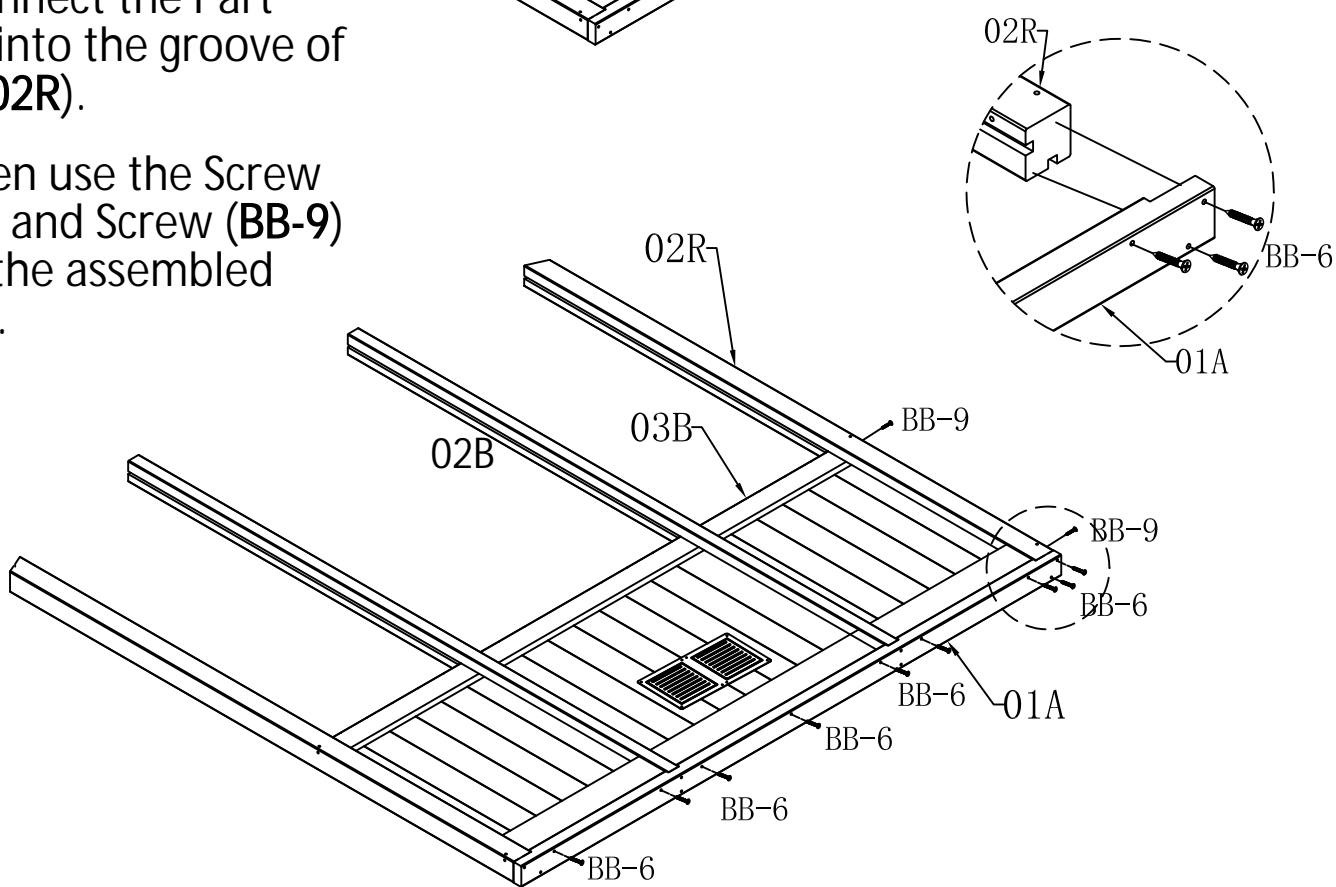
M4x60 BB-6 2X

STEP. 13

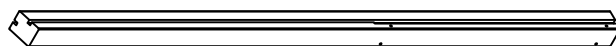


① Connect the Part (03B) into the groove of Part (02R).

② Then use the Screw (BB-6) and Screw (BB-9) to fix the assembled frame.



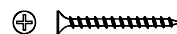
(03B) 1X



(02R) 1X



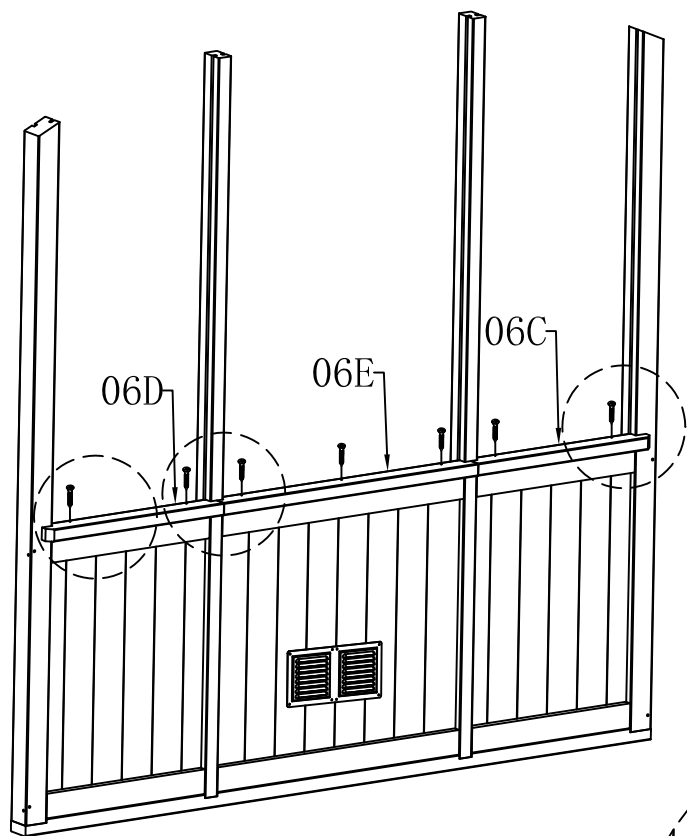
M4x60 (BB-6) 9X



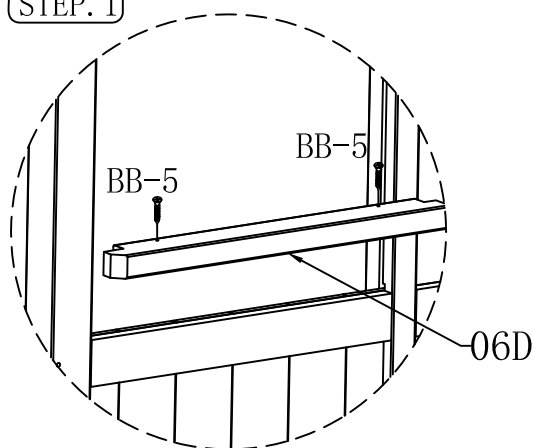
M4x90 (BB-9) 2X

STEP. 14

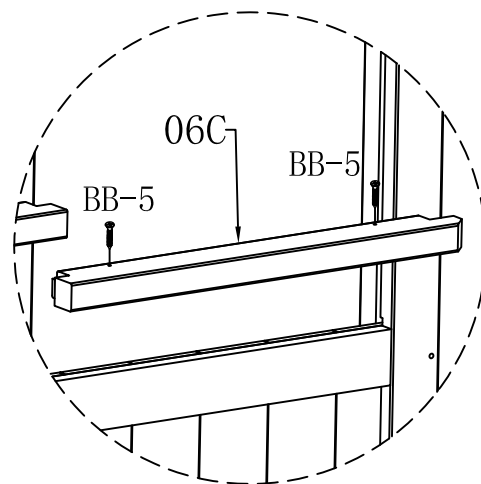
Connect the Part (06D), Part (06C), Part (06E) to assembled frame by Screw (BB-5).



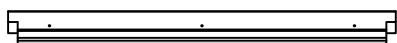
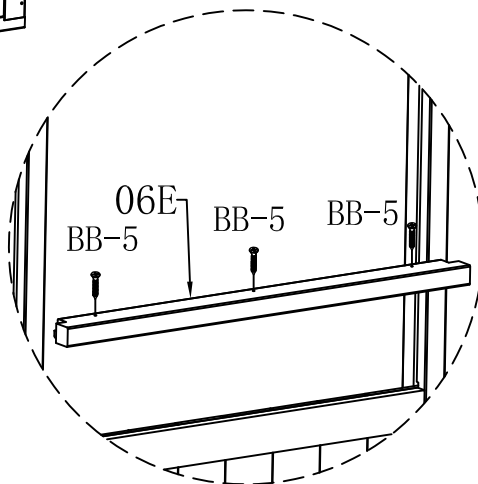
STEP. 1



STEP. 2



STEP. 3



06E 1X



06C 1X



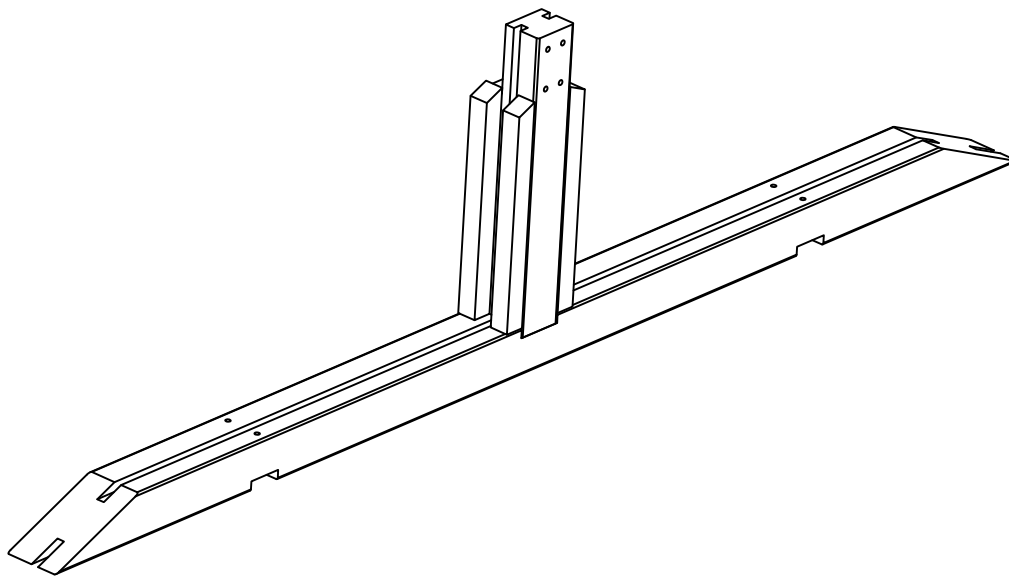
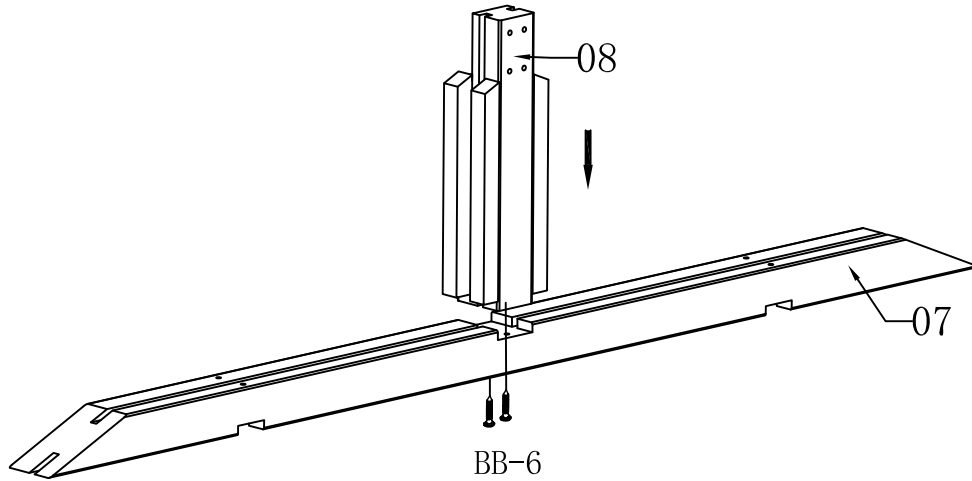
06D 1X



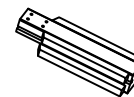
M4x50 BB-5 7X

STEP. 15

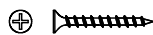
Connect the Part (08) to Part (07) by Screw (BB-6).



(07) 1X



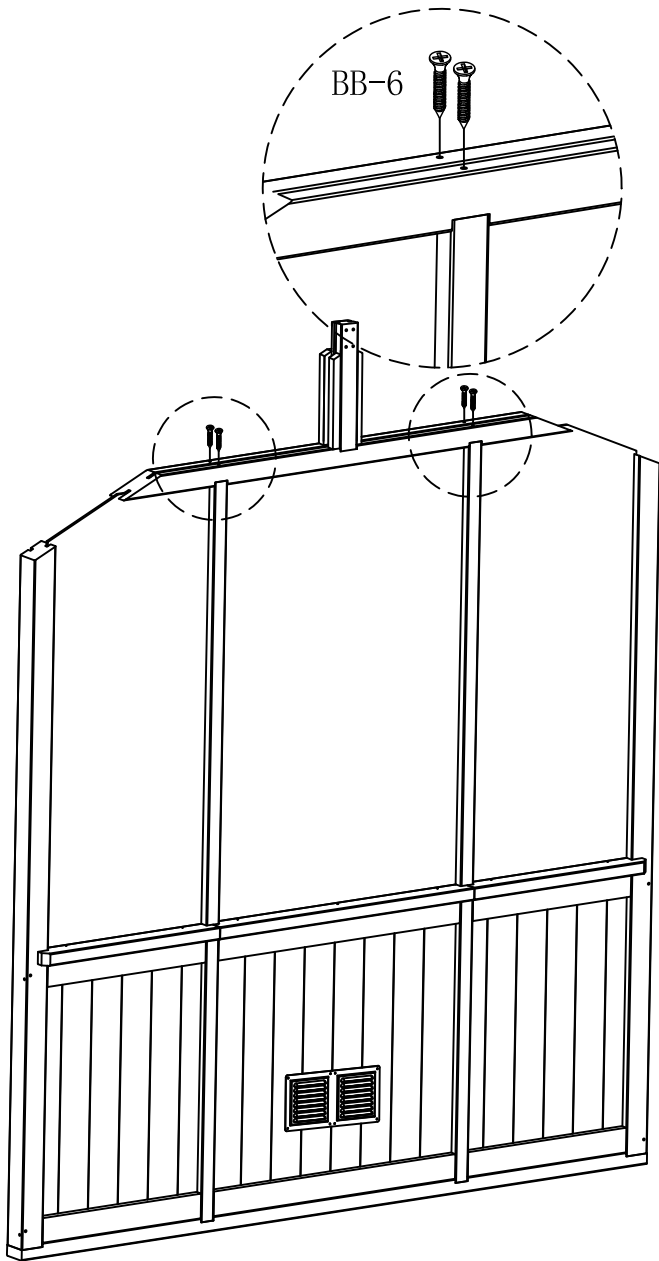
(08) 1X



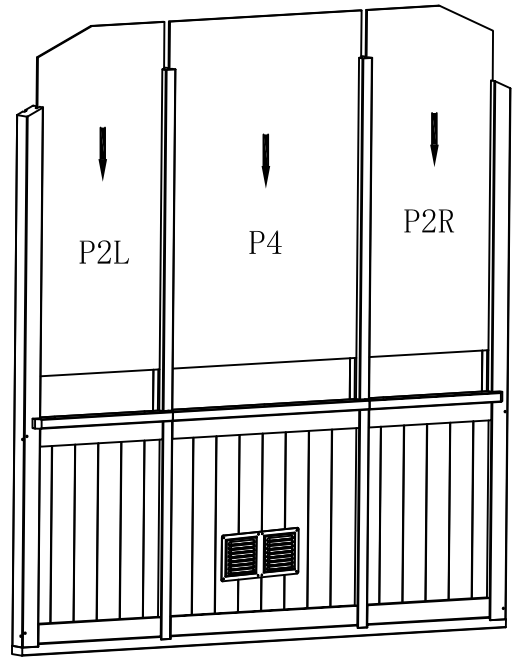
M4x60 (BB-6) 2X

STEP. 16

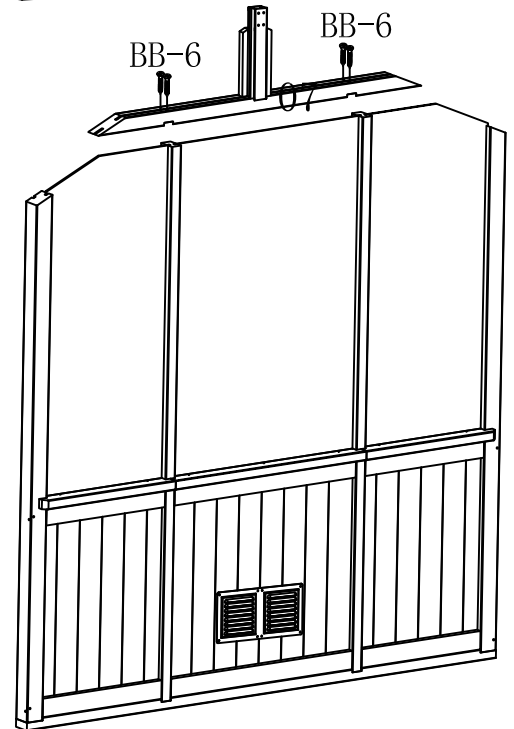
Insert door polycarbonateboard Part (P2L), Part (P4) and Part (P2R) into the assembled door frame.



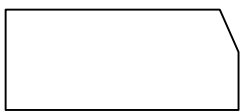
STEP. 1



STEP. 2

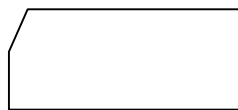


Add the step-15 assembled frame on the top of polycarbonate board. Use the Screw (BB-6) to fix.



(P2L) 1X

(1098x473)



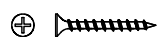
(P2R) 1X

(1098x473)



(P4) 1X

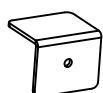
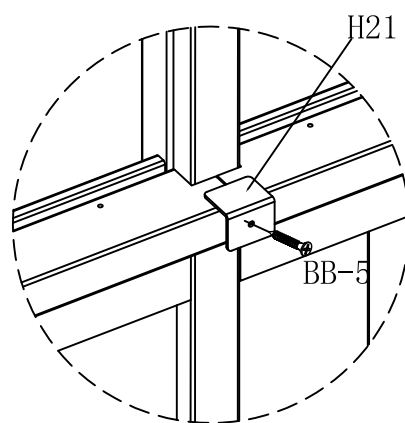
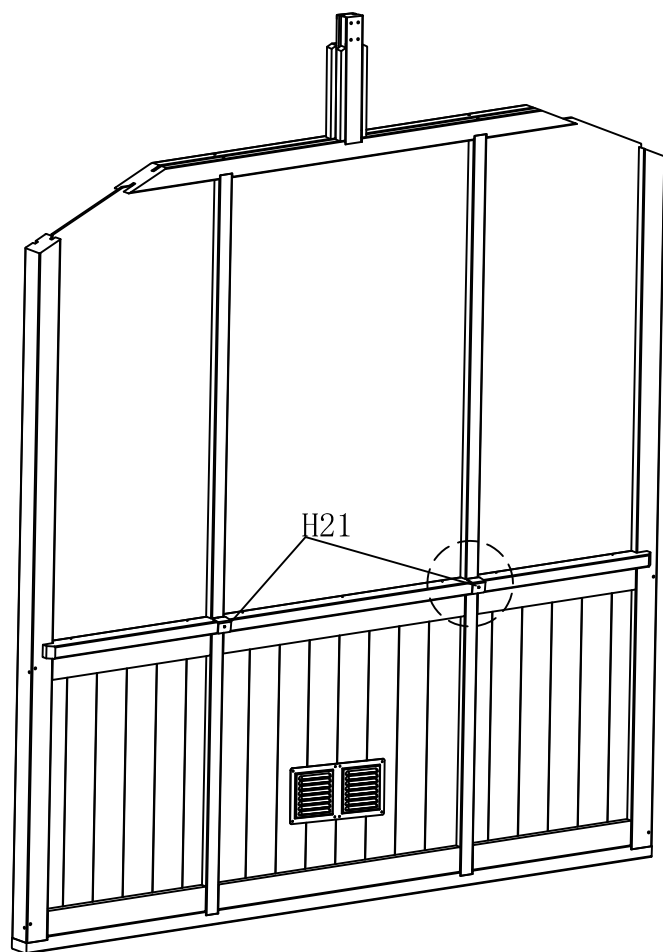
(1098x714)



M4x60 (BB-6) 4X

STEP. 17

Connect Part (**H21**) to assembled frame by Screw (**BB-5**).



H21 2X

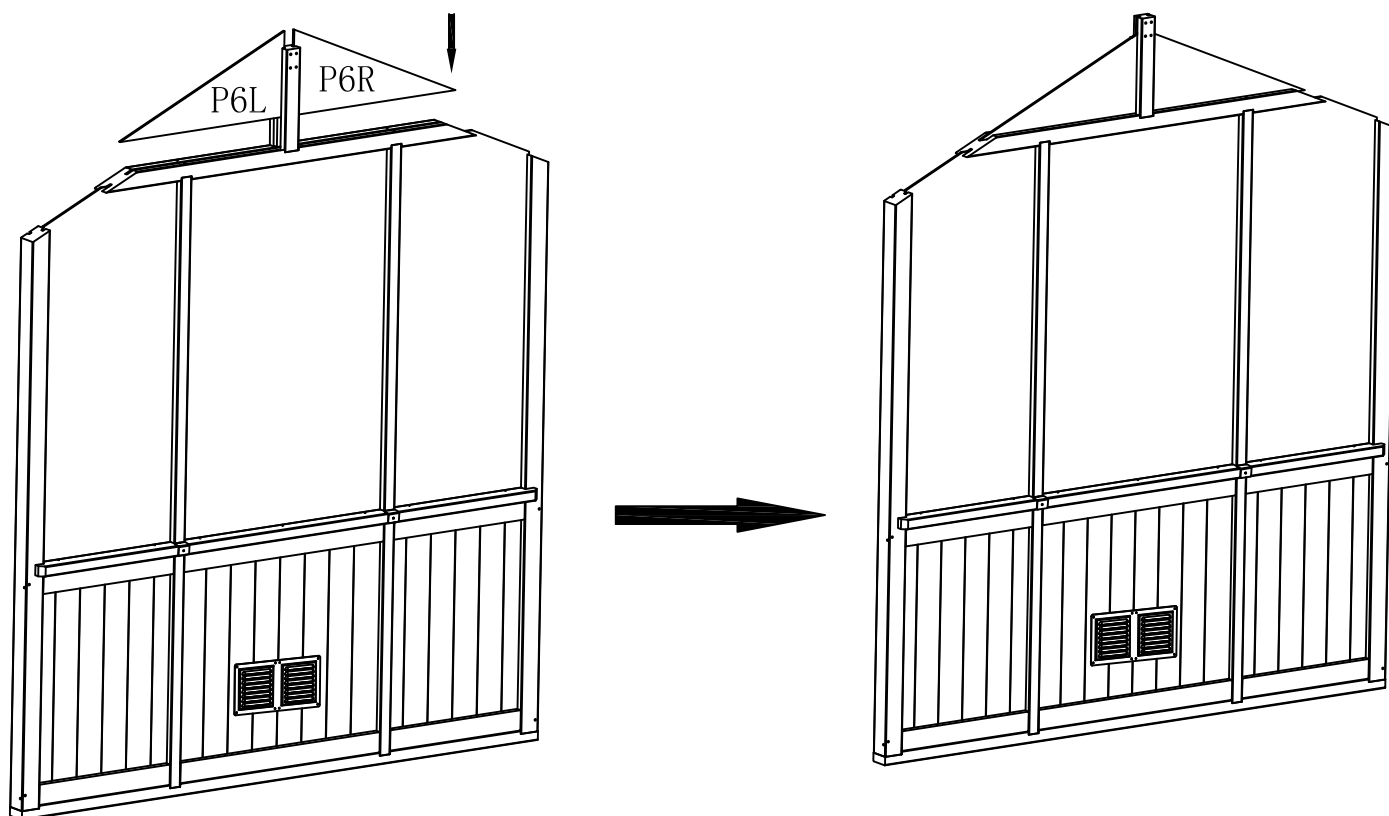


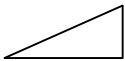
M4x50 **BB-5** 2X

STEP. 18

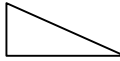
Insert the Part (**P6L**) and Part (**P6R**) into the top of door beam.

* Please note the polycarbonate board need to be insert into the wood frame.




(557x248)

P6L 1X

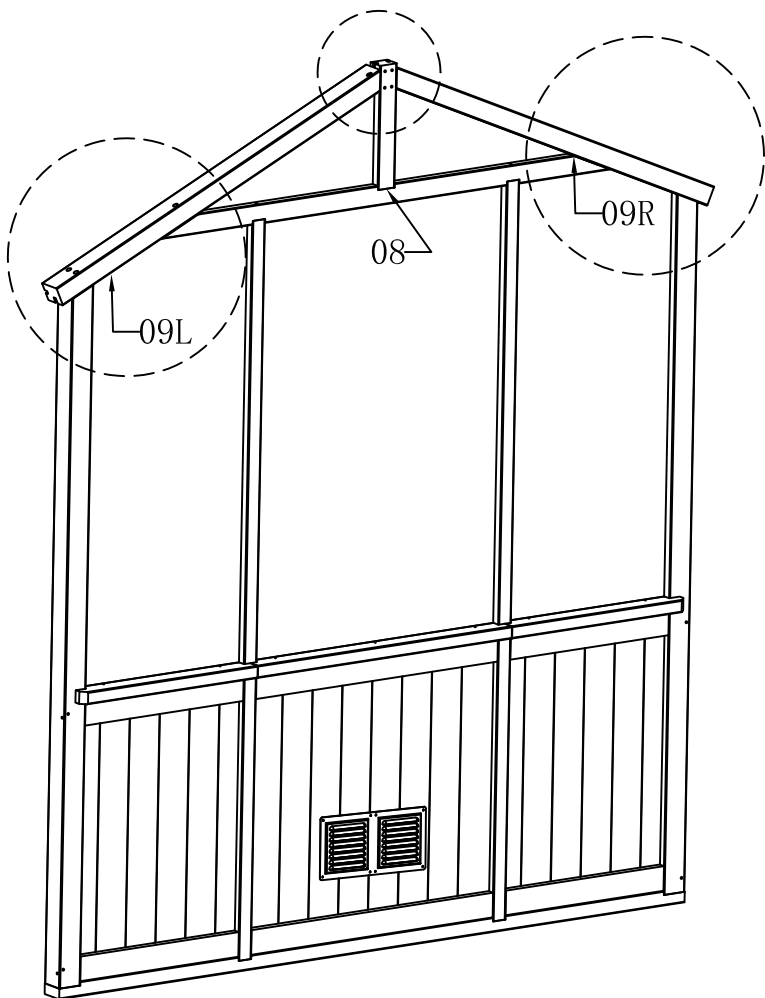

(557x248)

P6R 1X

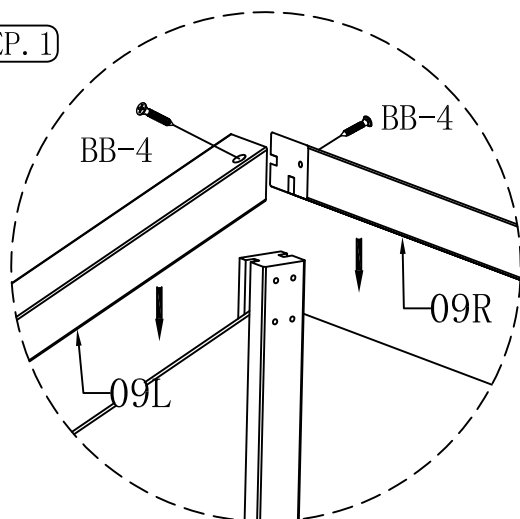
STEP. 19

Connect the Part (09L) and Part (09R) to the Part (08) by Screw (BB-4) and Screw (BB-6).

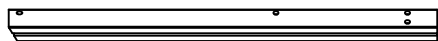
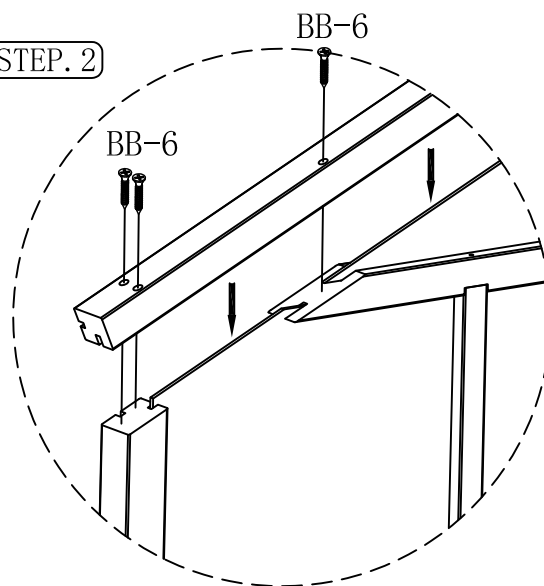
* Please note the polycarbonate board need to be insert into the wood frame, then fix the screw.



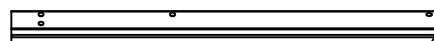
STEP. 1



STEP. 2



(09L) 1X



(09R) 1X



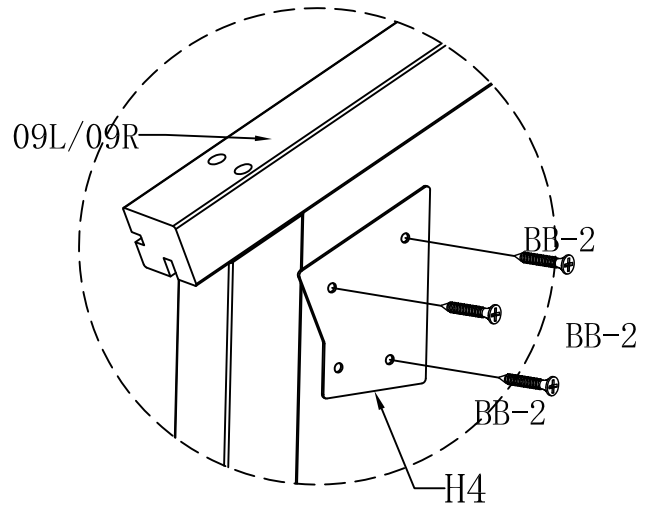
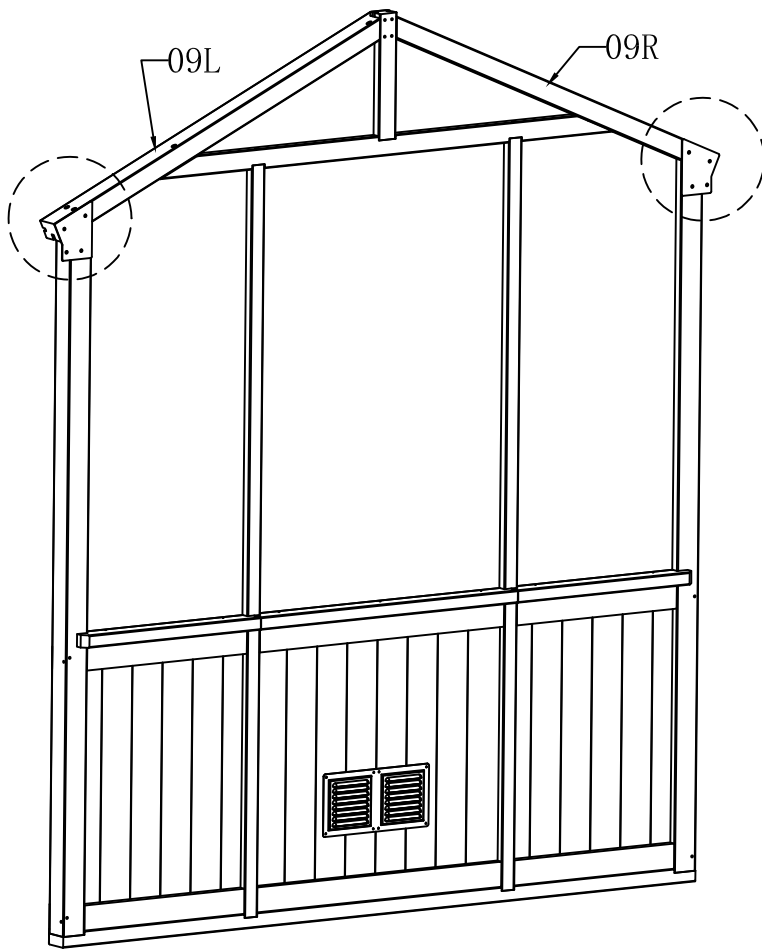
M4x40 (BB-4) 2X



M4x60 (BB-6) 6X

STEP. 20

Connect Part (H4) to the assembled frame by Screw (BB-2).



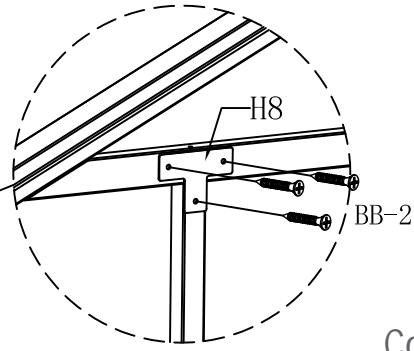
(H4) 2X



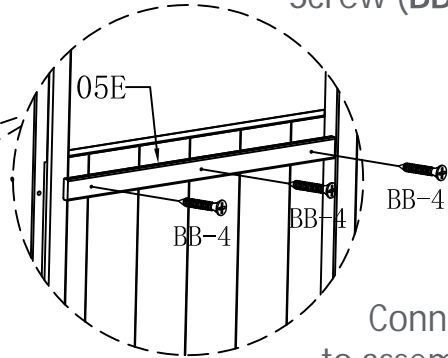
M4x25 (BB-2) 6X

STEP. 21

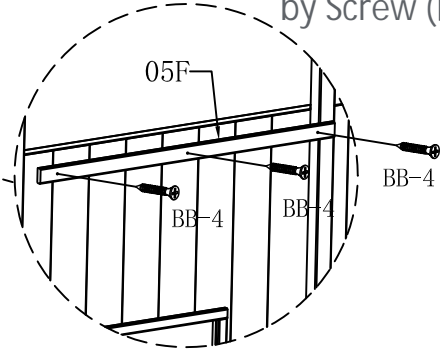
Connect the Part (H8) to assembled frame by Screw (BB-2).



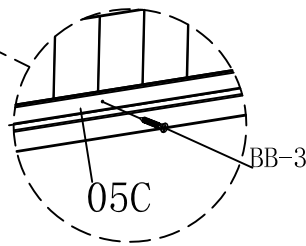
Connect Part (05E) to assembled frame by Screw (BB-4).



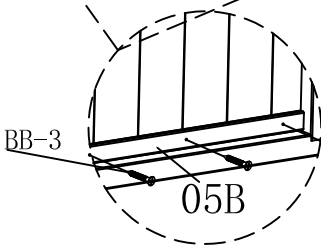
Connect Part (05F) to assembled frame by Screw (BB-4).



④ Connect the Part (05C) to assembled frame by Screw (BB-3).



⑤ Connect Part (05B) to assembled frame by Screw (BB-3).



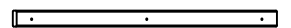
05B 2X



05C 1X



05E 2X



05F 1X



H8 2X



M4x40 BB-4 9X



M4x30 BB-3 9X

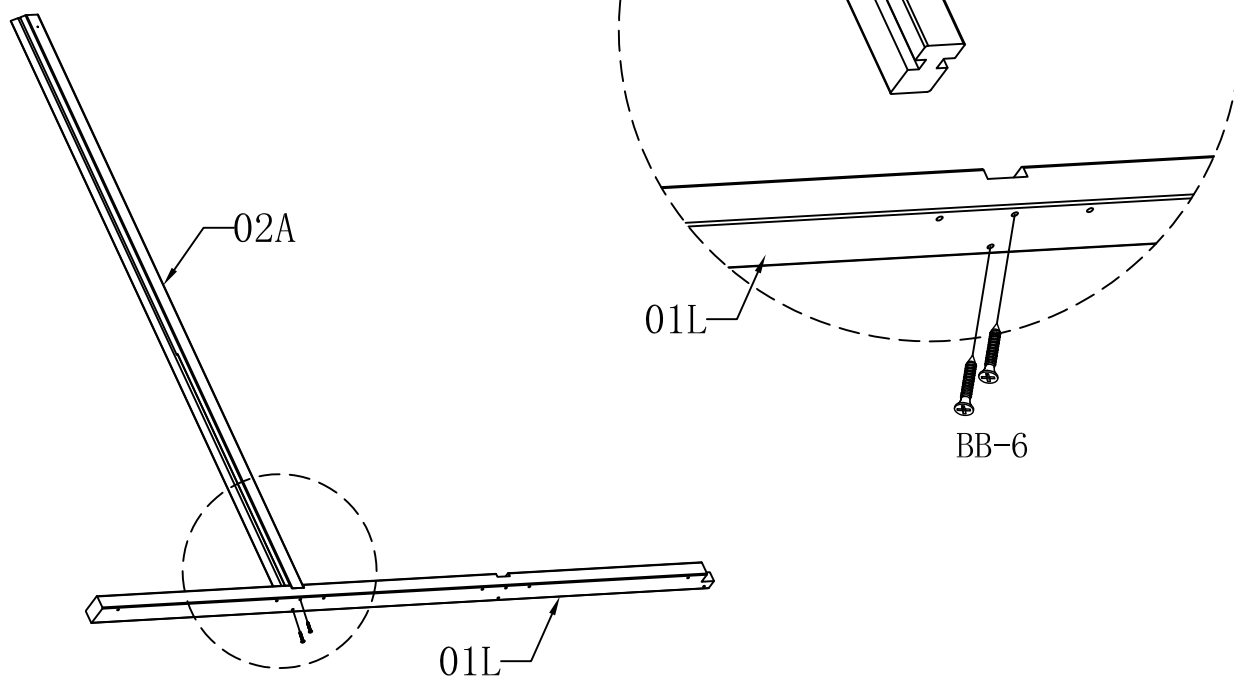


M4x25 BB-2 6X

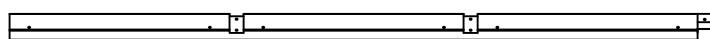
STEP. 22

Insert Part (02A) to the groove of Part (01L), then use Screw (BB-6) to fix.

*2



02A 2X



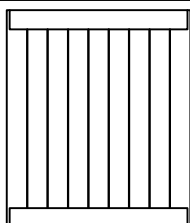
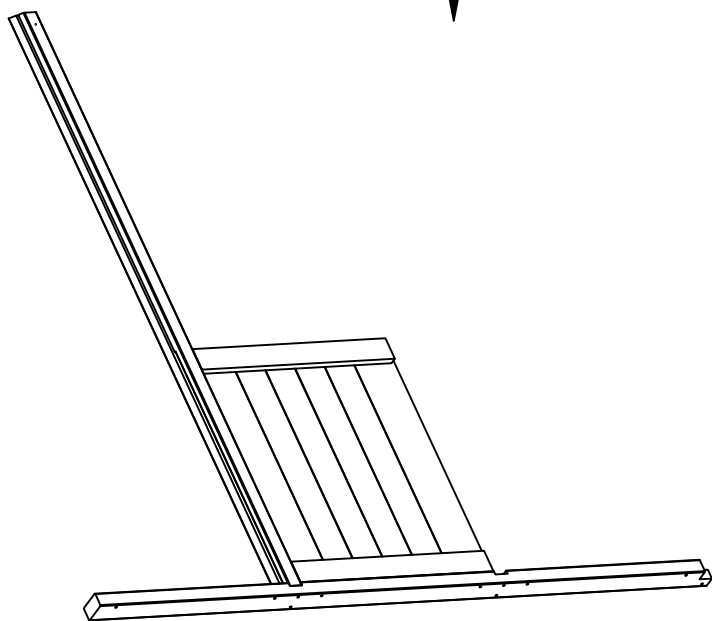
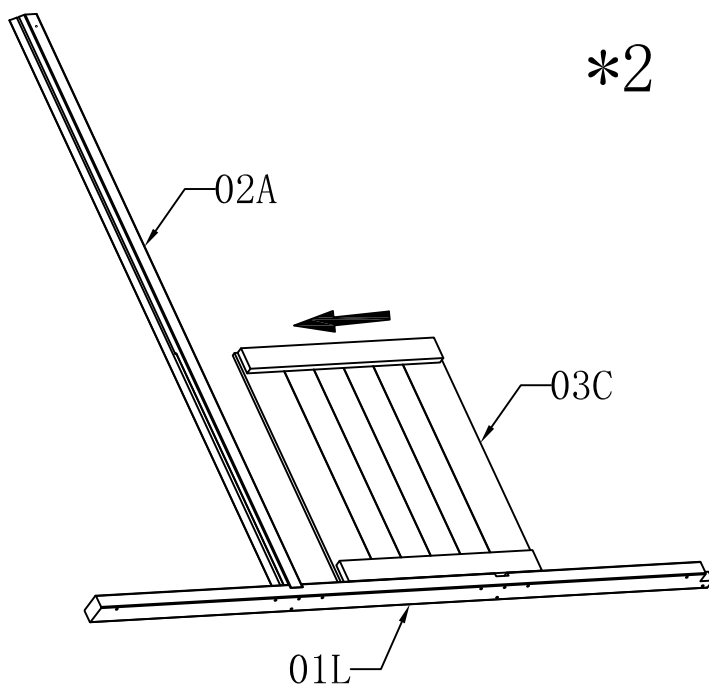
01L 2X



M4x60 BB-6 4X

STEP. 23

Connect the Part (03C) into the groove of Part (02A).



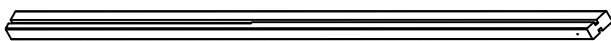
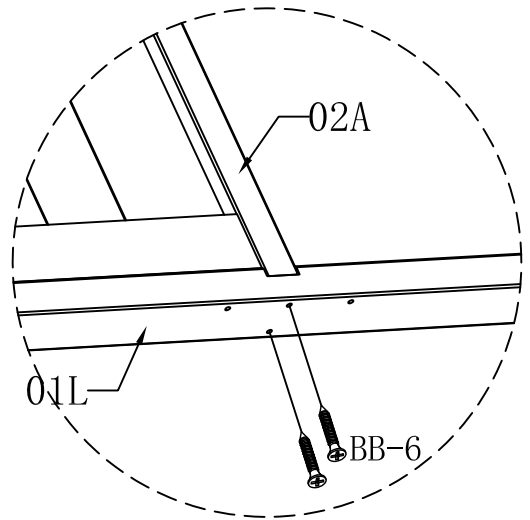
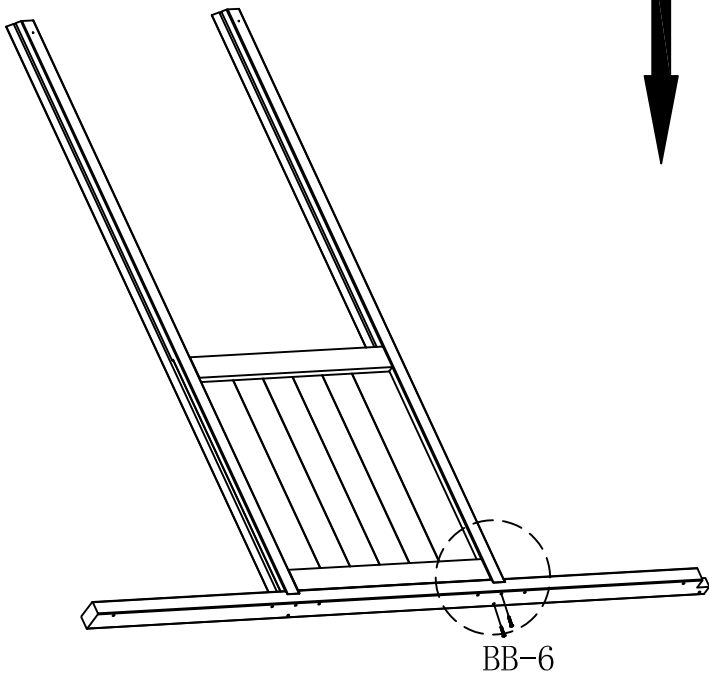
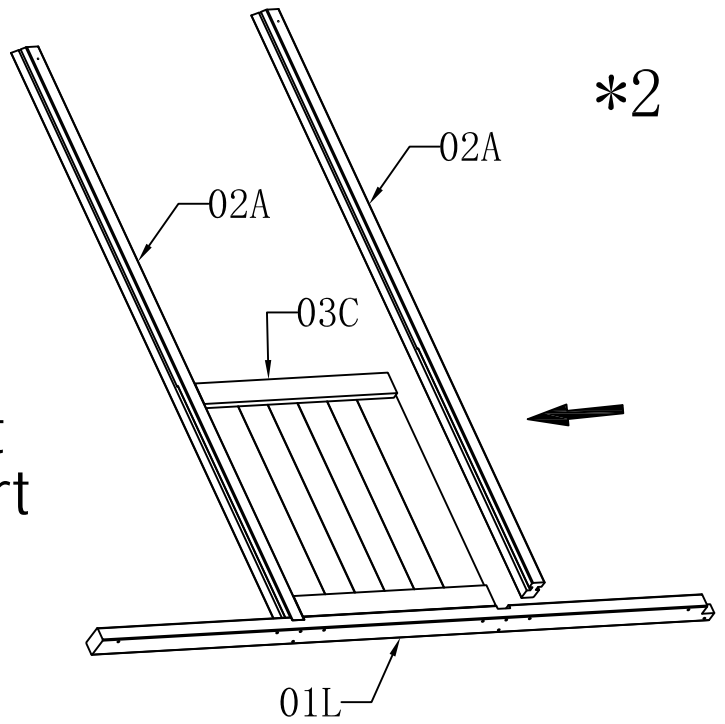
03C

2X

STEP. 24

Connect the other side Part (03C) into the groove of Part (02A).

Use the screw (BB-6) to fix.



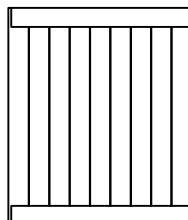
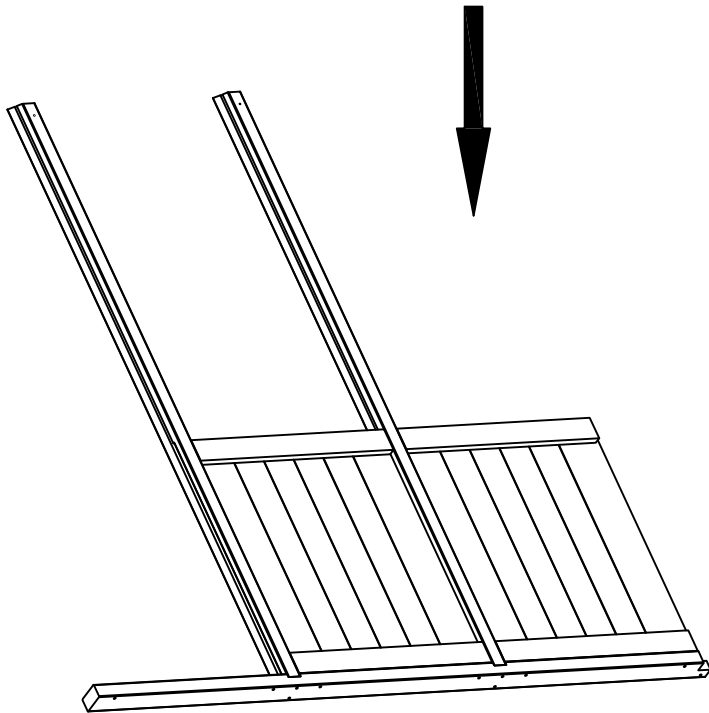
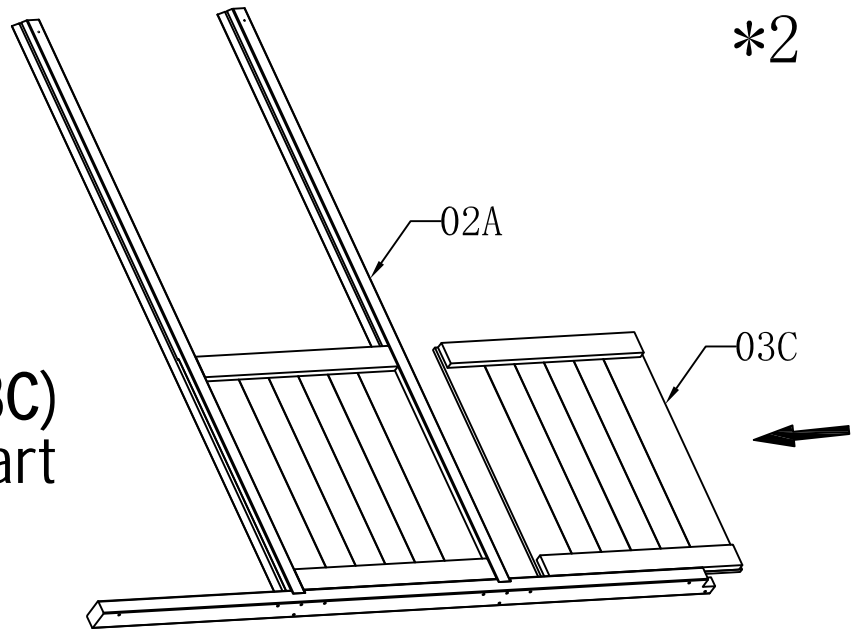
(02A) 2X



M4x60 (BB-6) 4X

STEP. 25

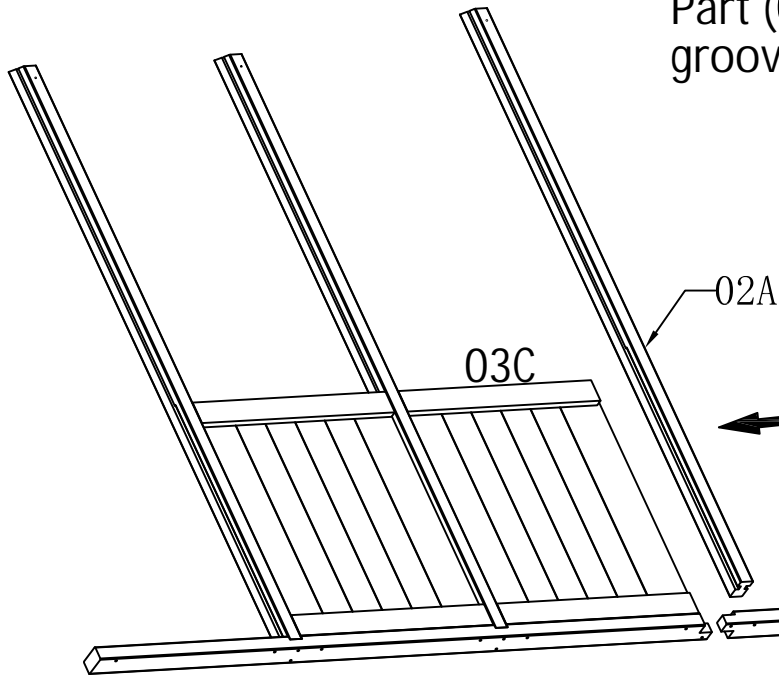
Connect the Part (03C) into the groove of Part (02A).



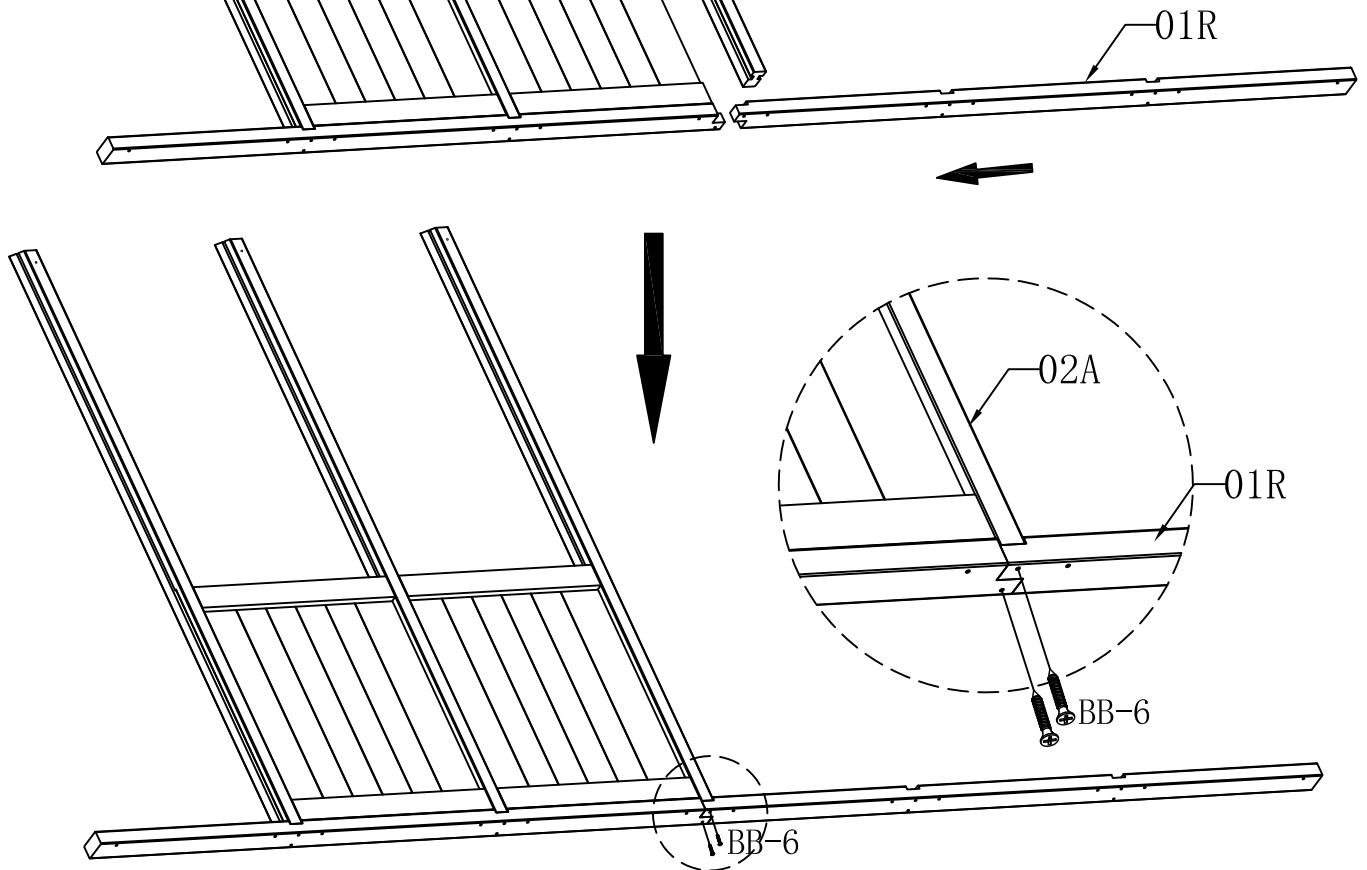
03C 2X

STEP. 26

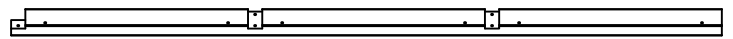
Connect the Part (03C) into the groove of Part (02A). *2



Connect the Part (01R) to the Part (02A) by Screw (BB-6).



(02A) 2X



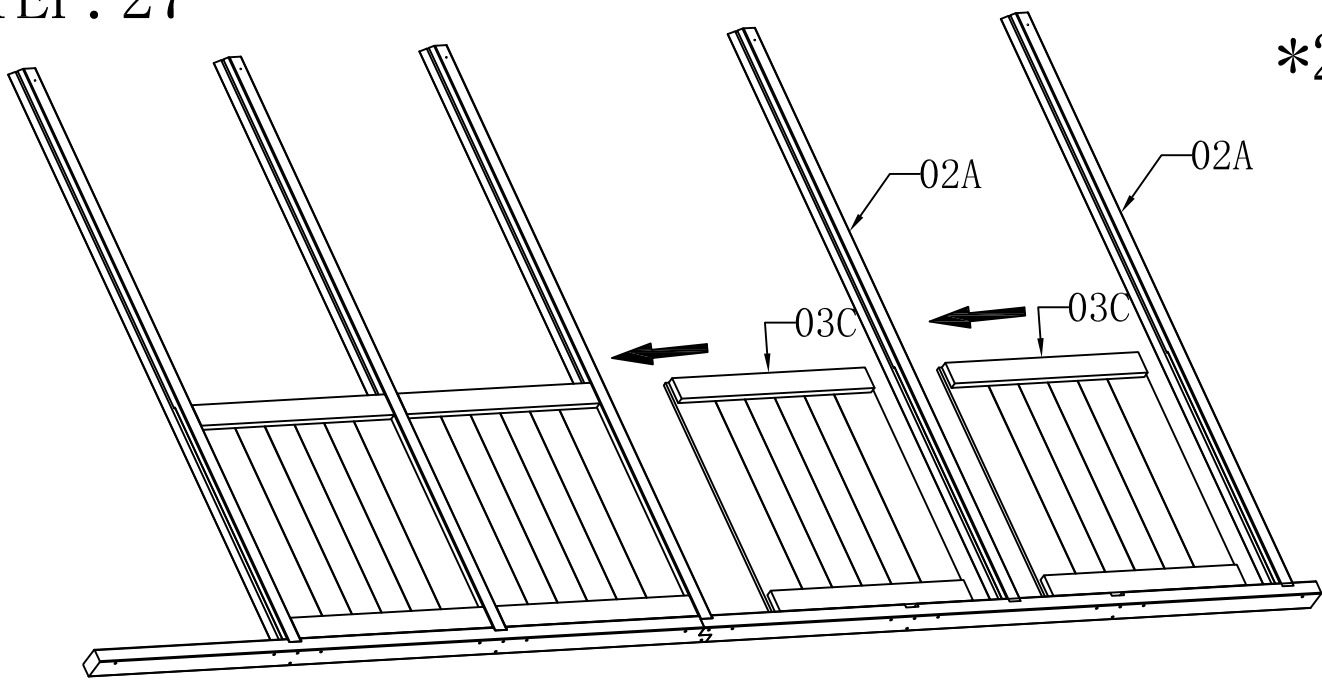
(01R) 2X



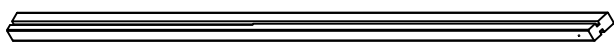
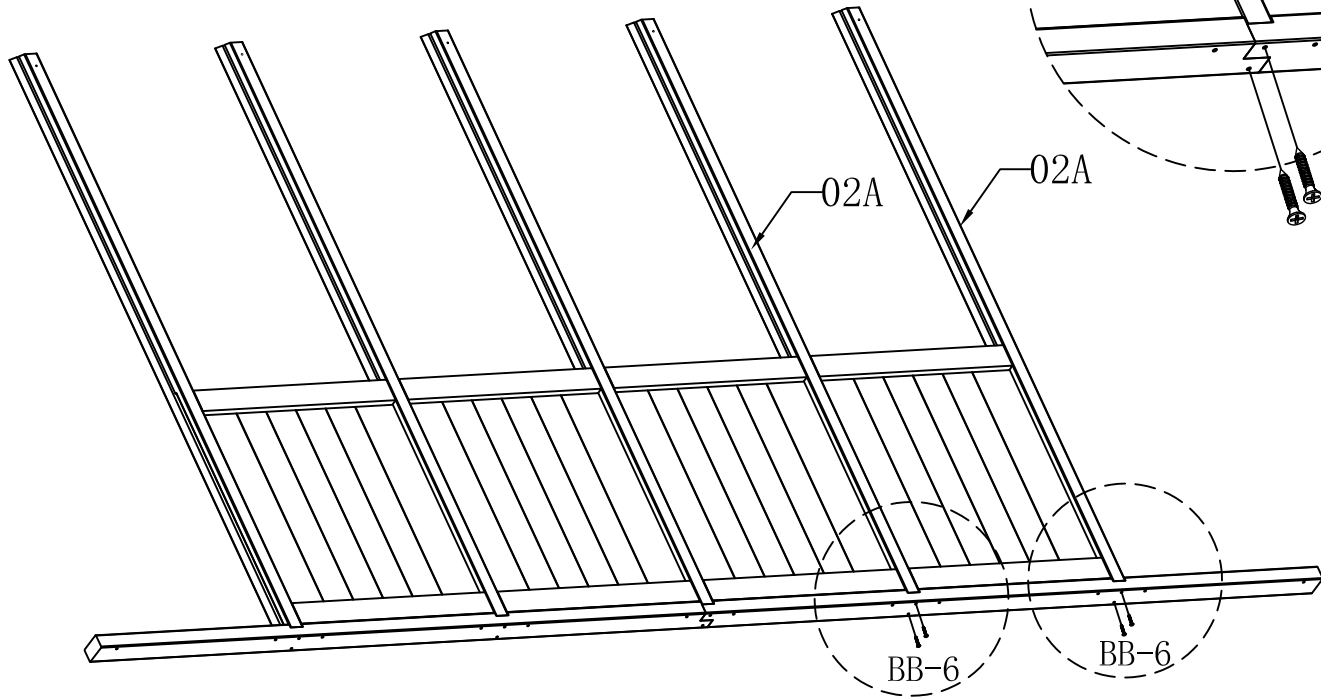
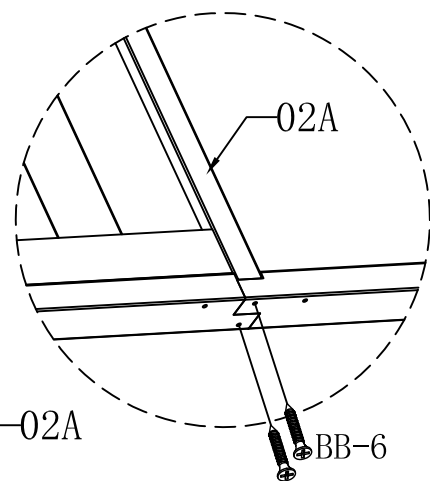
M4x60 (BB-6) 4X

STEP. 27

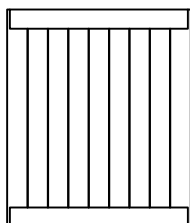
*2



Connect the Part (03C) into the groove of Part (02A) by Screw (BB-6).



02A 4X

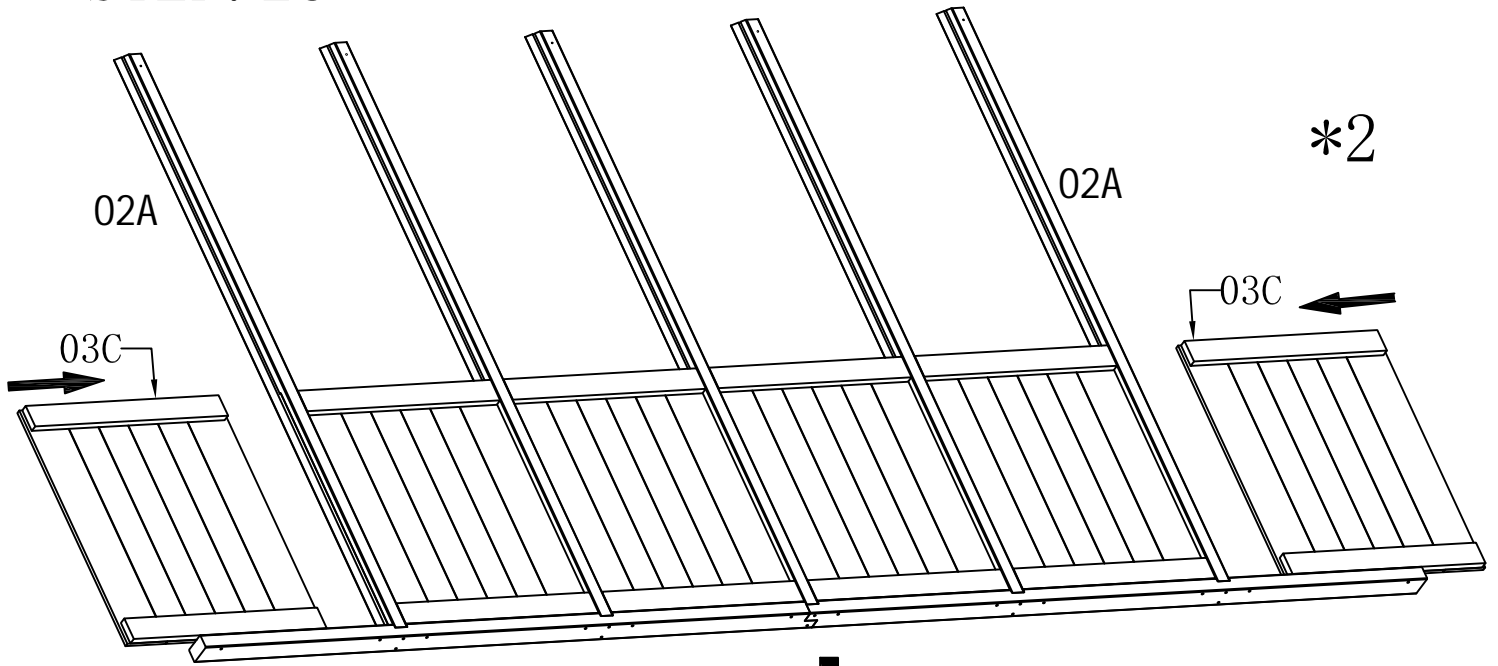


03C 4X



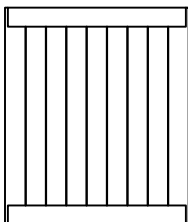
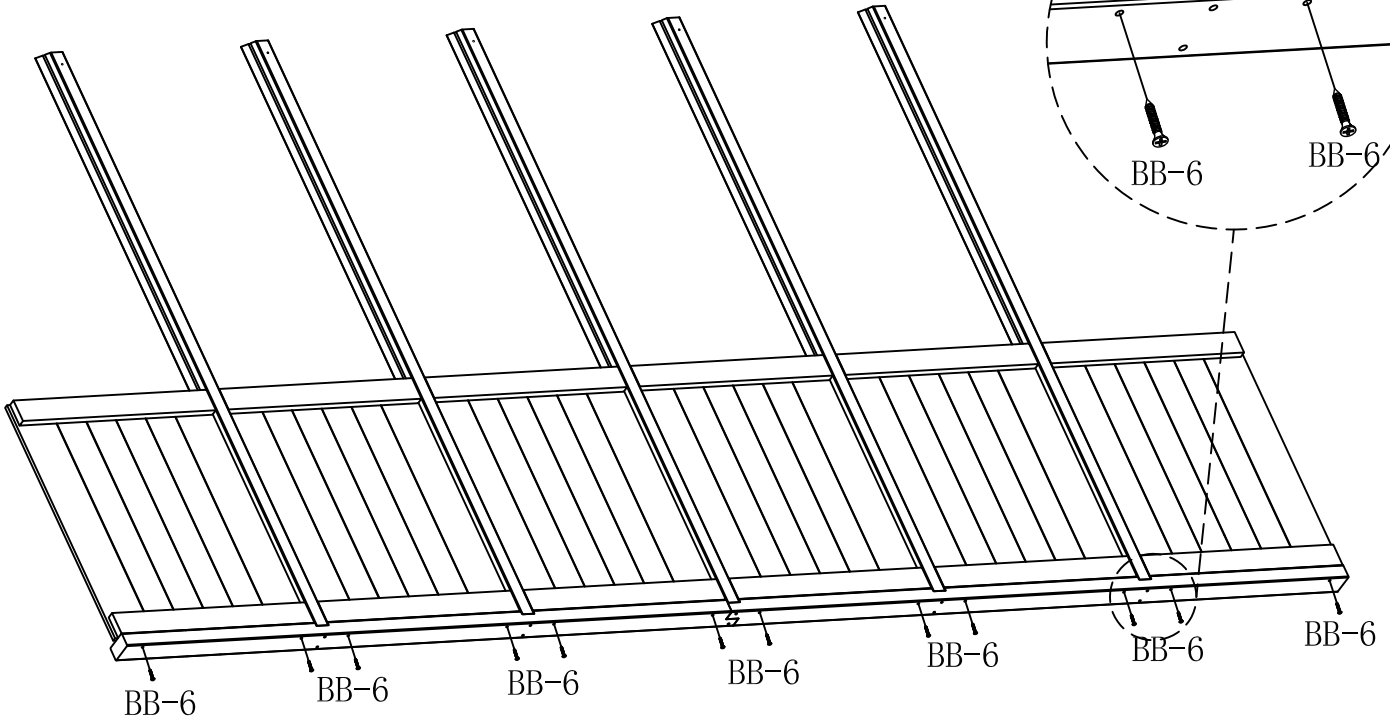
M4x60 BB-6 8X

STEP. 28



Connect the Part (03C) into the groove of Part (02A).

Use the Screw (BB-6) to fix the frame.



(03C) 4X

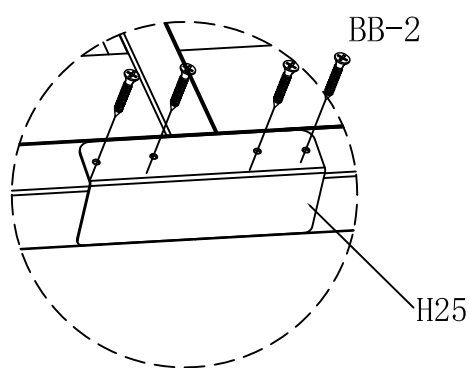
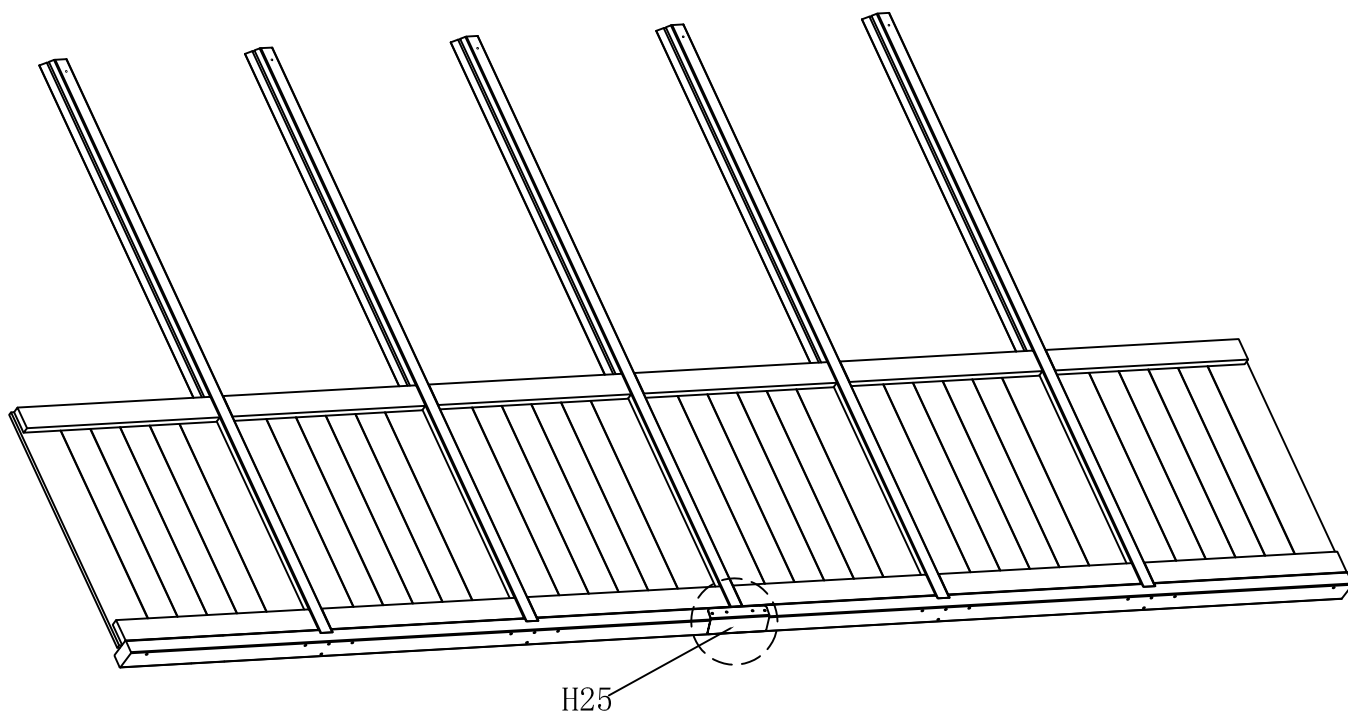


M4x60 (BB-6) 24X

STEP. 29

Connect the Part (H25) to the assembled Part by Screw (BB-2).

*2



(H25) 2X



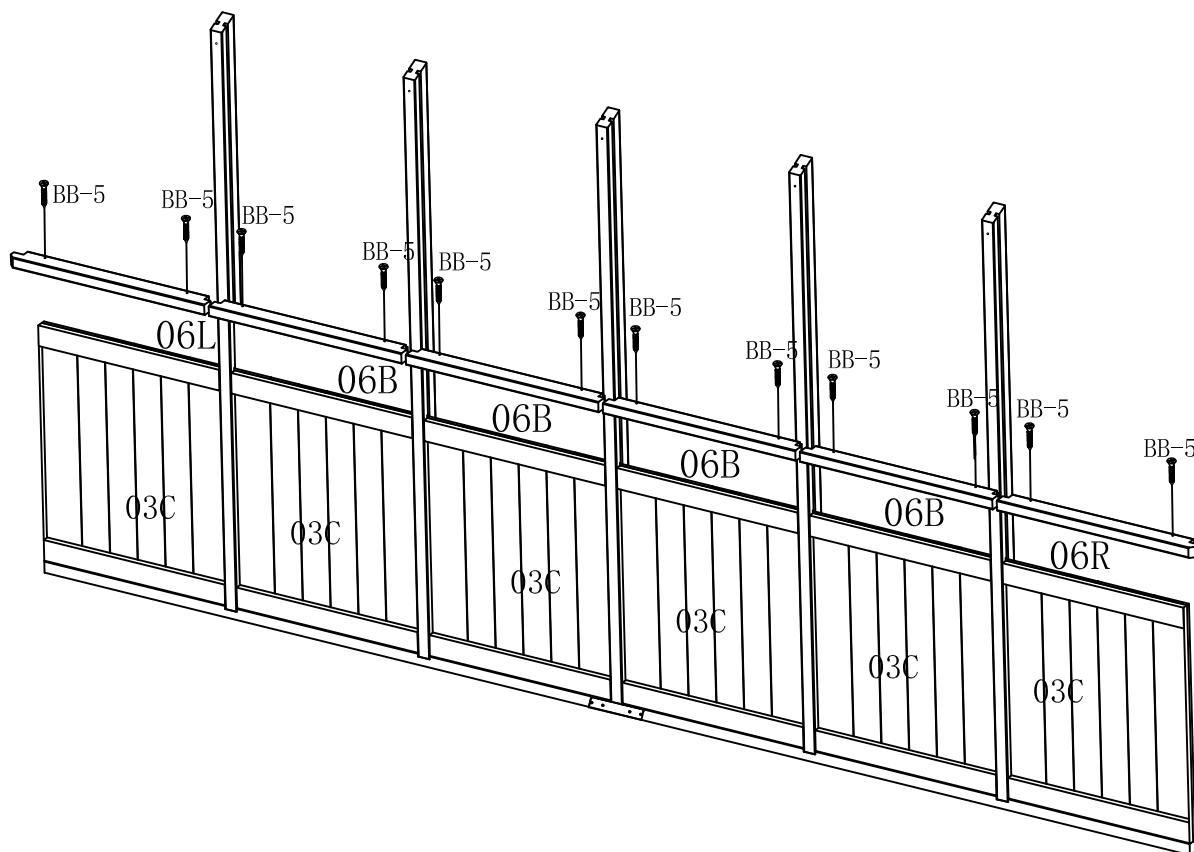
M4x25 (BB-2) 8X

STEP. 30

Place the entire assembled frame on the ground, then place Part (06L), Part (06B) and Part (06R) close to Part (03C).

*2

Next use the Screw (BB-5) to fix.



06B 8X



06L 2X

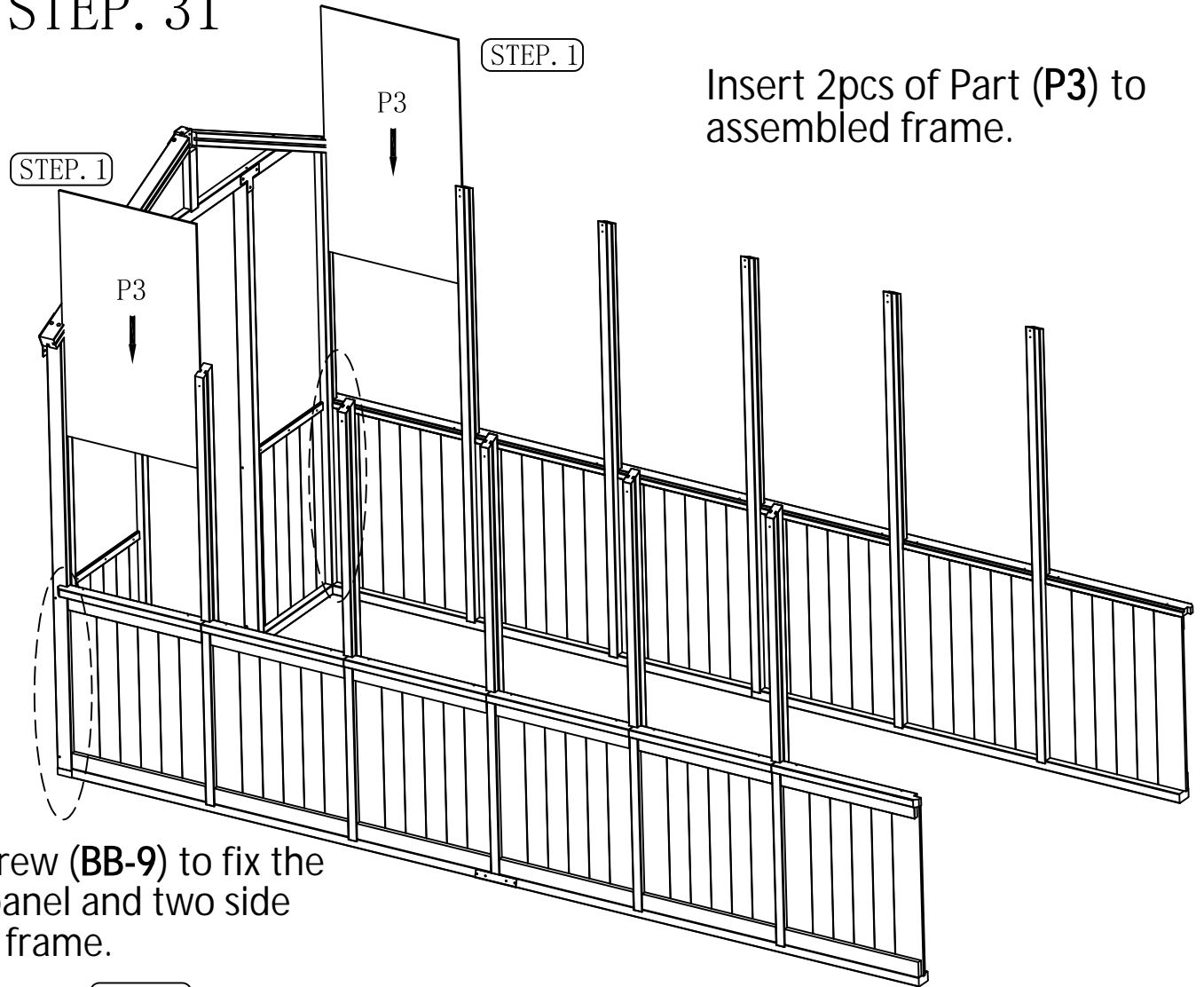


06R 2X



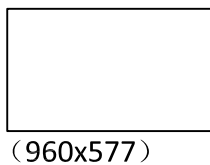
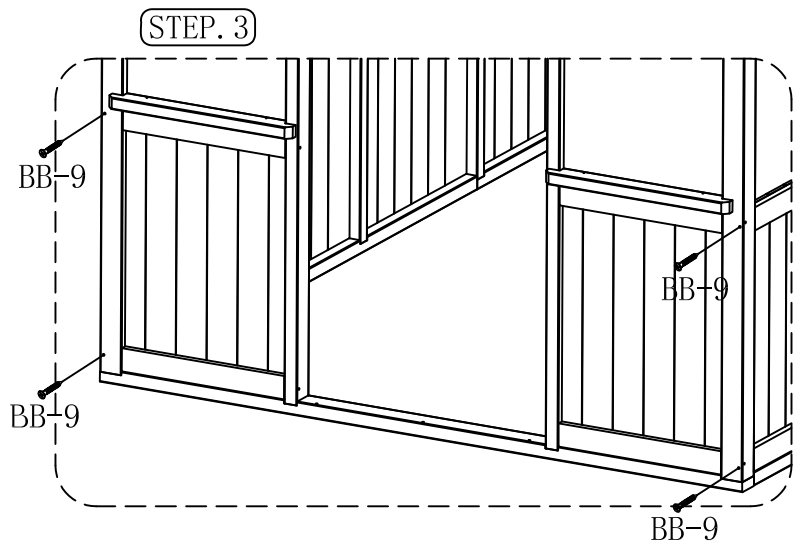
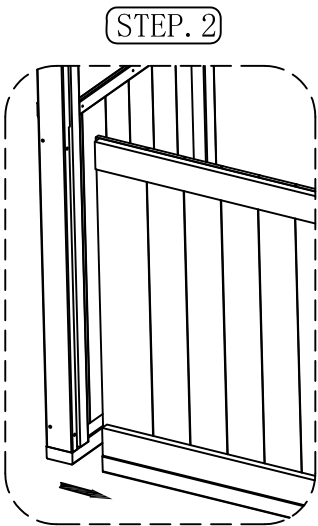
M4x50 BB-5 24X

STEP. 31

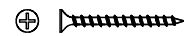


Insert 2pcs of Part (P3) to assembled frame.

Use Screw (BB-9) to fix the front panel and two side panels frame.



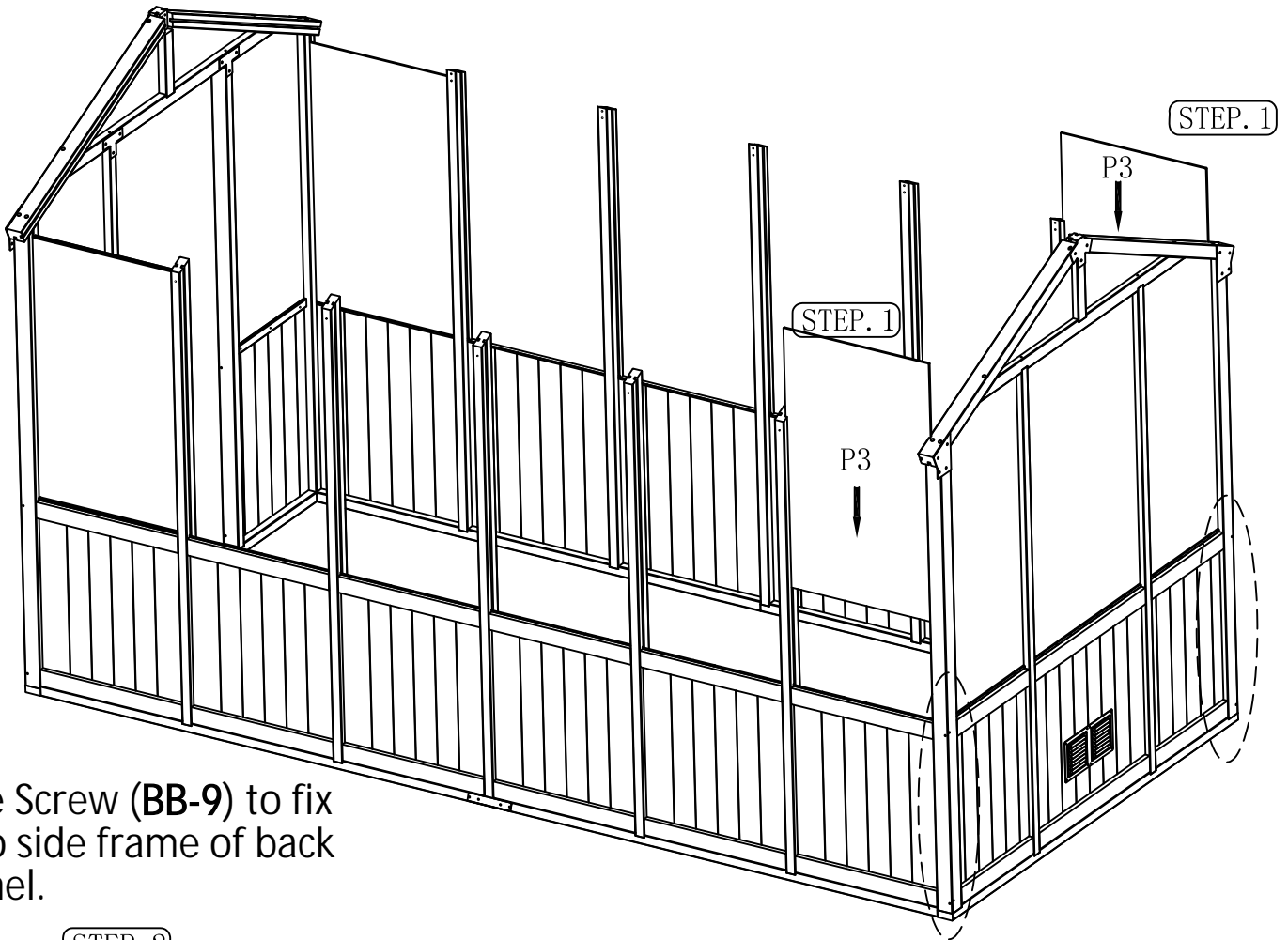
P3 2X



M4x90 BB-9 4X

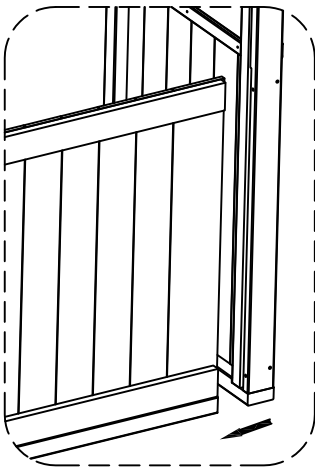
STEP. 32

Insert 2pcs of Part (P3) to assembled frame.

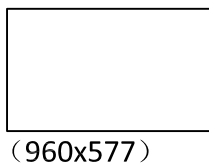
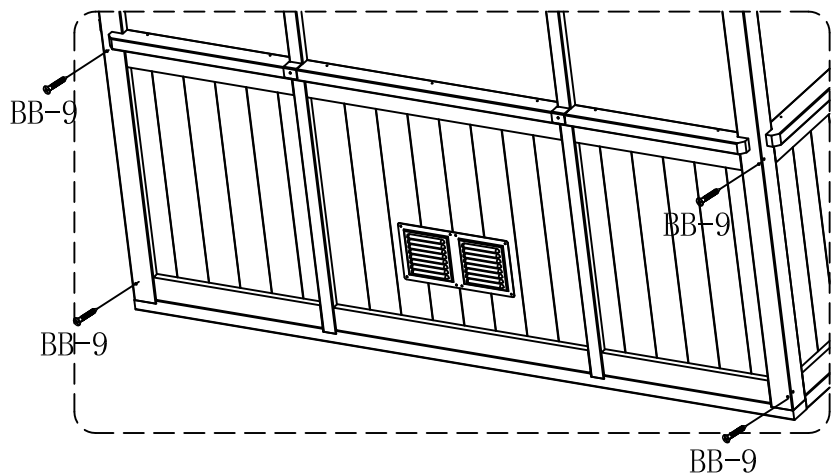


Use Screw (BB-9) to fix two side frame of back panel.

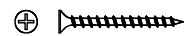
STEP. 2



STEP. 3

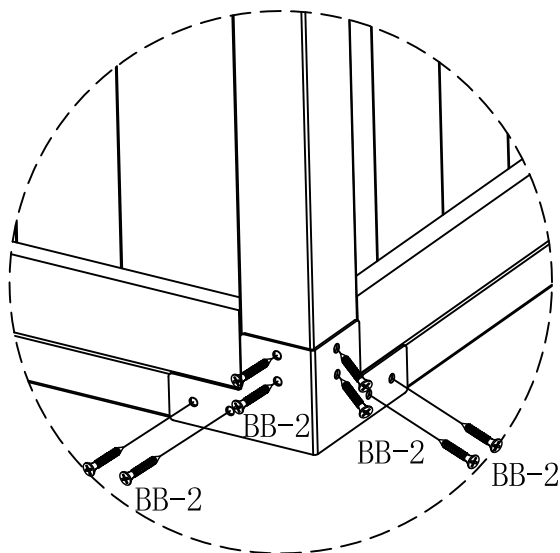
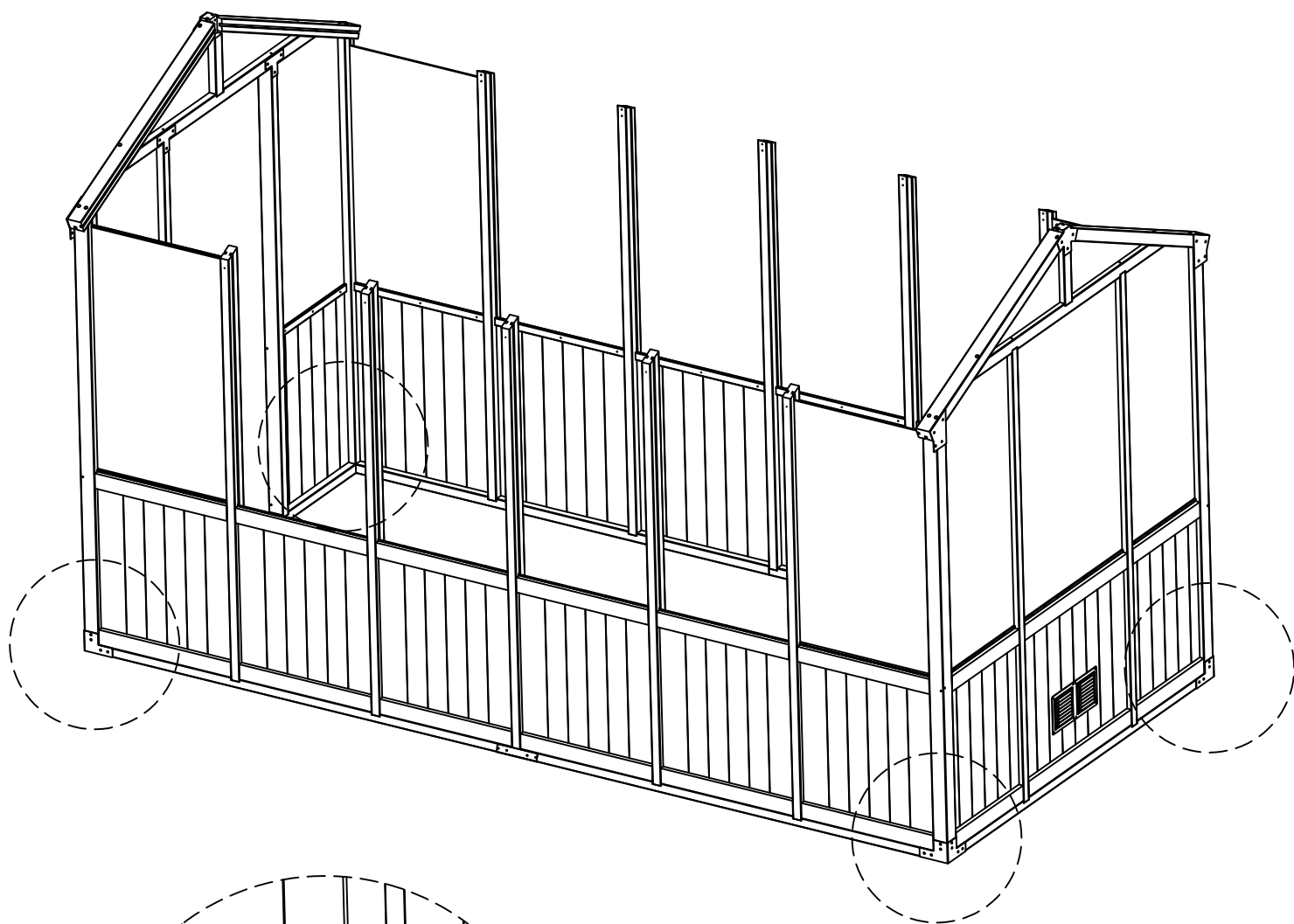


P3 2X



M4x90 BB-9 4X

STEP. 33



Connect the Part (H2) to the four corner by Screw (BB-2).

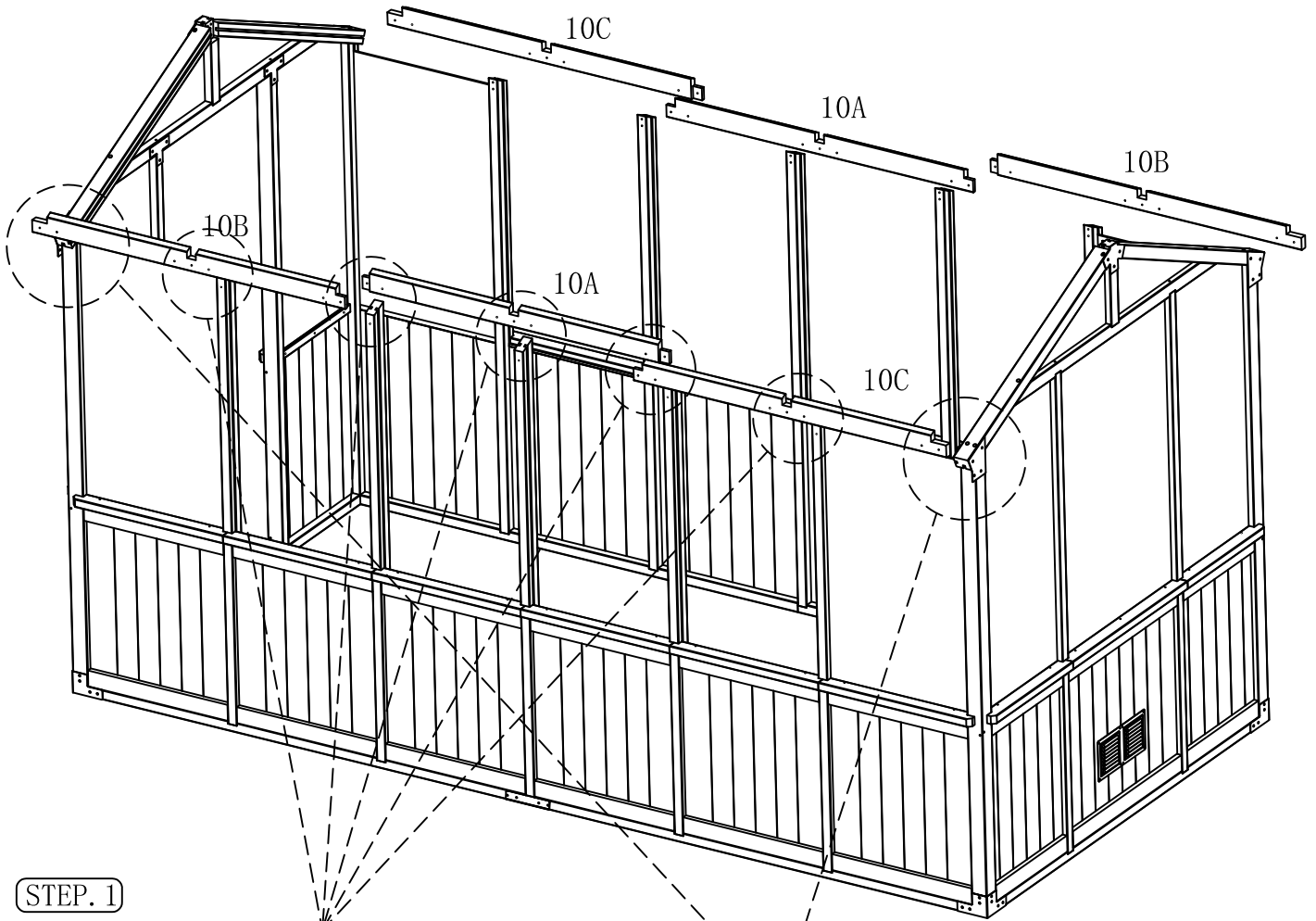


(H2) 4X

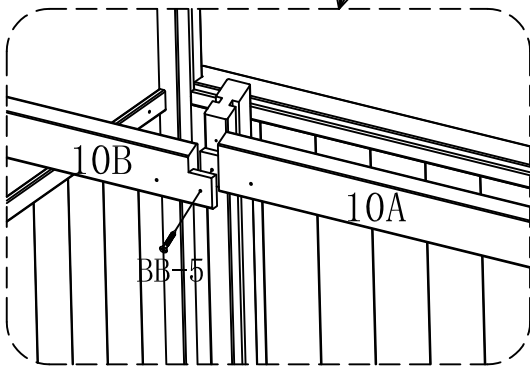


M4x25 (BB-2) 32X

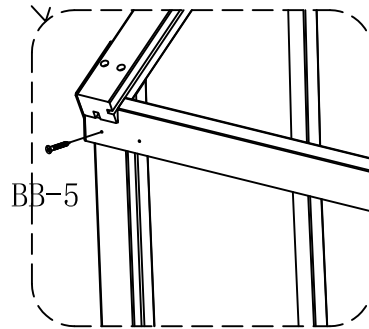
STEP. 34



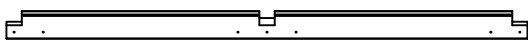
STEP. 1



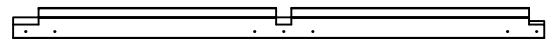
STEP. 2



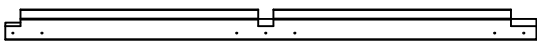
Connect Part (10B), Part (10A) and Part (10C) to the beam by Screw (BB-5).



(10A) 2X



(10B) 2X

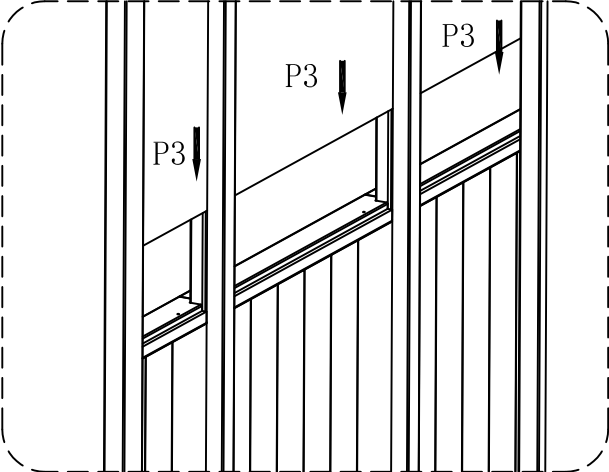
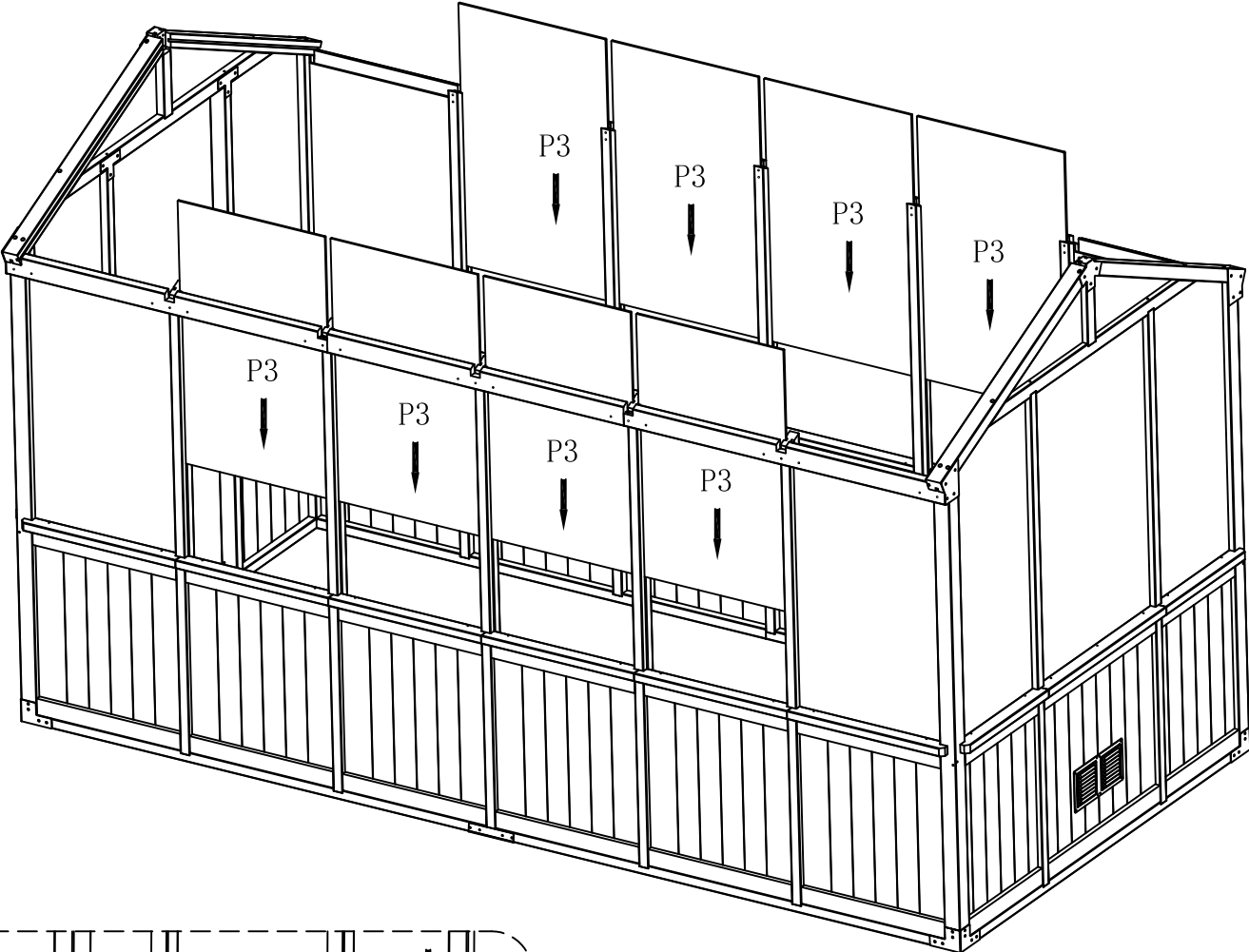


(10C) 2X



M4x50 (BB-5) 14X

STEP. 35



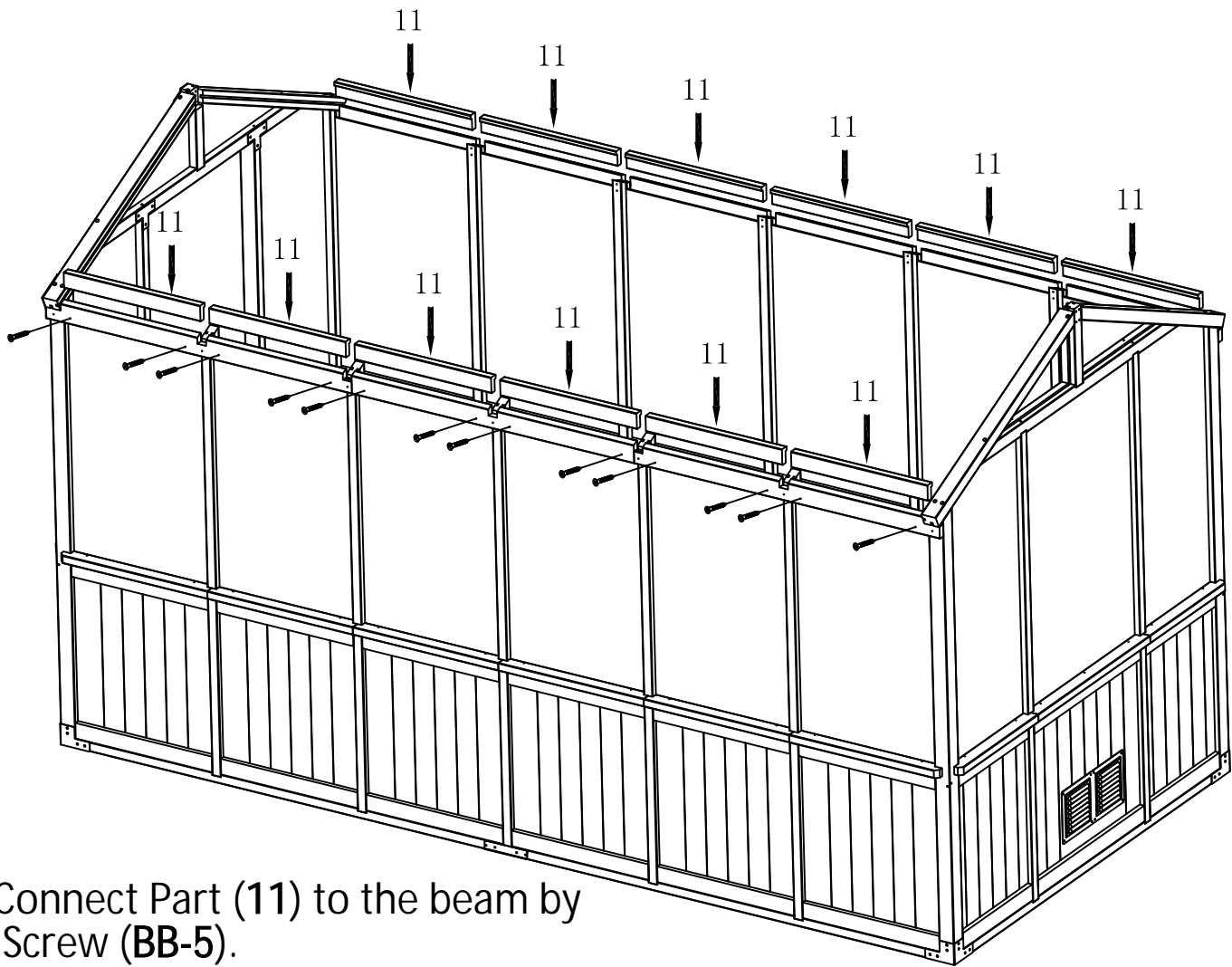
Insert Part (P3) to assembled frame.



(960x577)

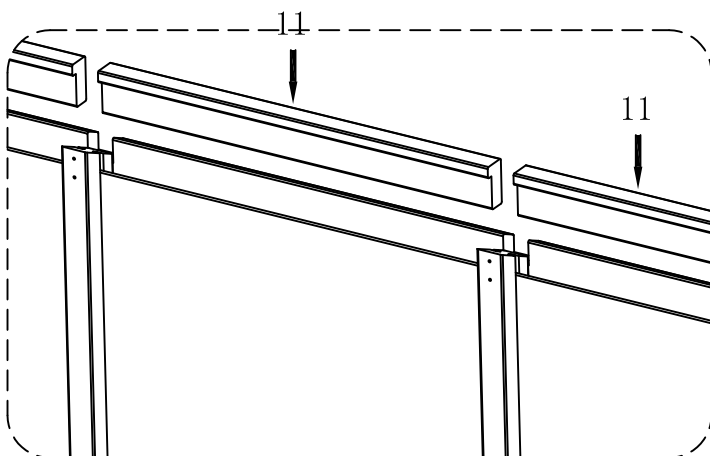
P3 8X

STEP. 36

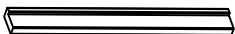
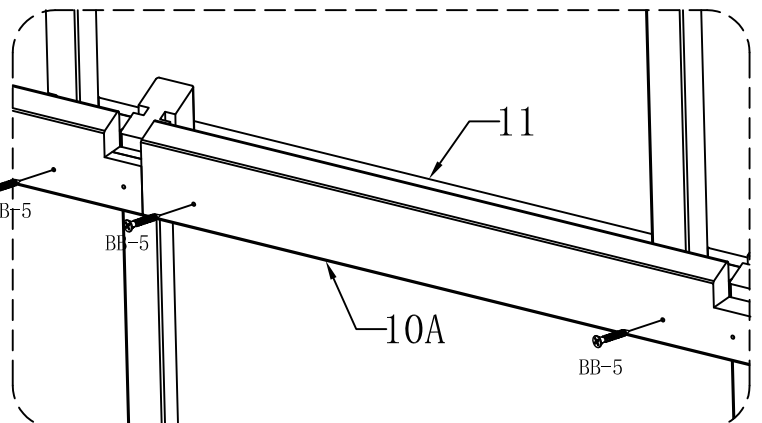


Connect Part (11) to the beam by Screw (BB-5).

STEP. 1



STEP. 2



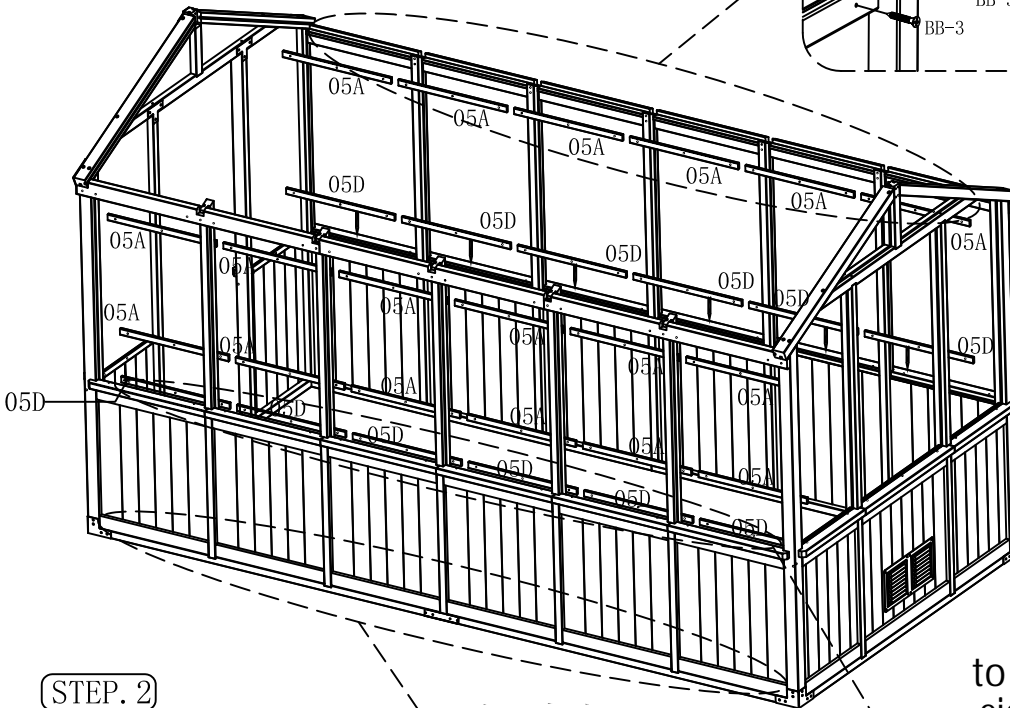
(11) 12X



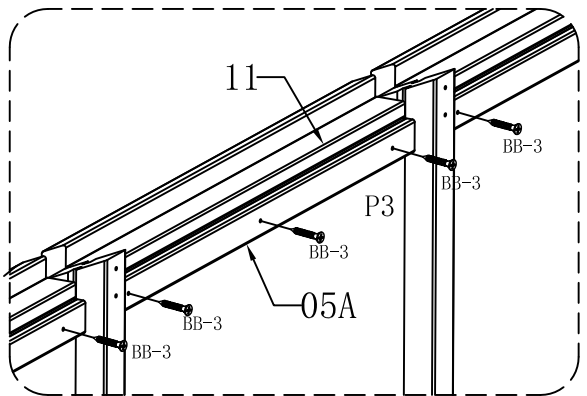
M4x50 (BB-5) 24X

STEP. 37

Place Part (05A) parallel to top of Part (P3), on inner side of greenhouse. Then fix it with screw (BB-3).

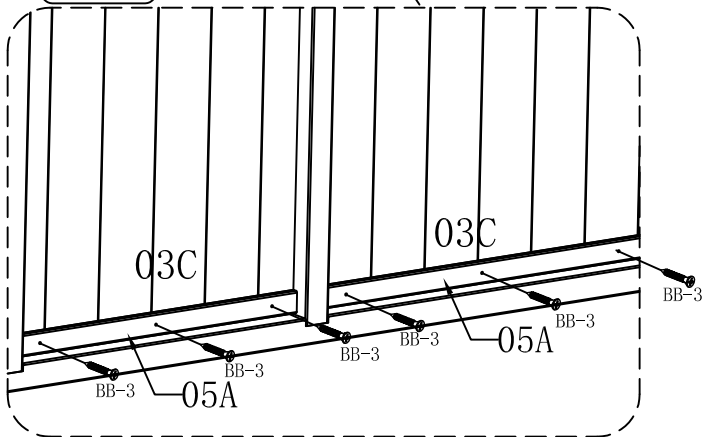


STEP. 1



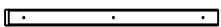
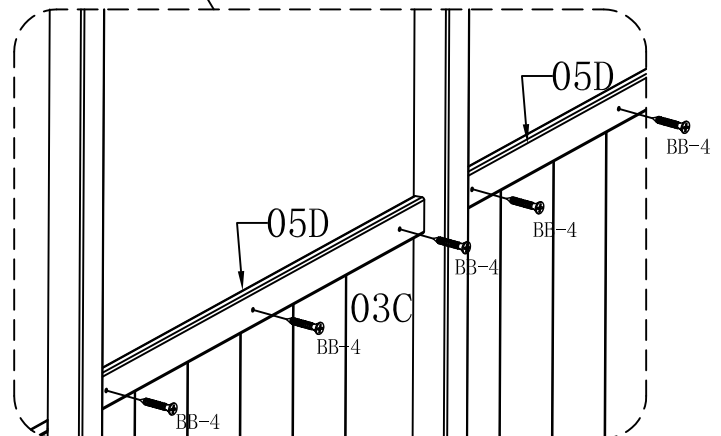
Place Part (05D) parallel to top of Part (03C), on inner side of greenhouse. Then fix it with screw (BB-4).

STEP. 2

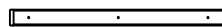


Place Part (05A) parallel to bottom of Part (03C), on inner side of greenhouse. Then fix it with screw (BB-3).

STEP. 3



(05A) 24X



(05D) 12X

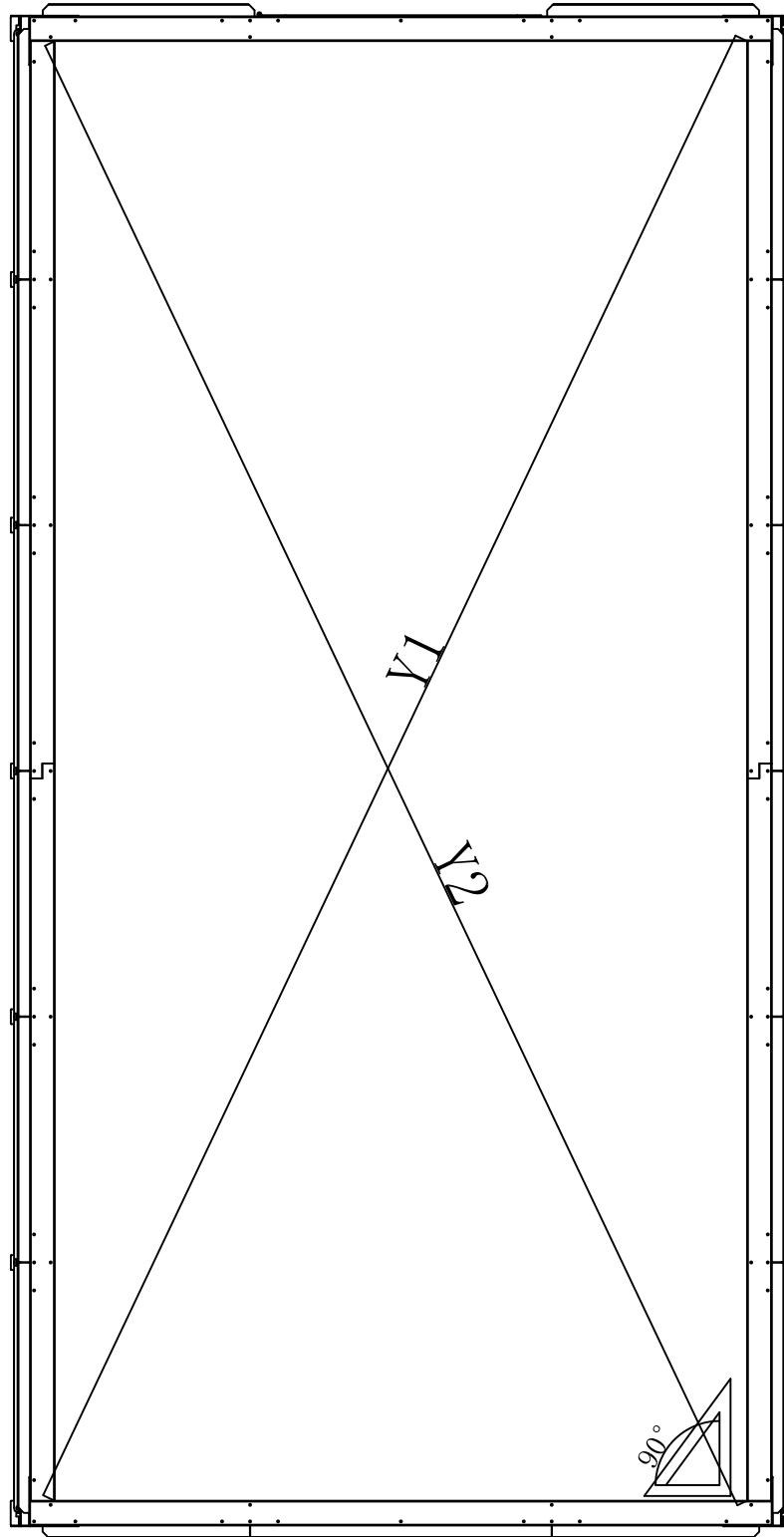


M4x40 (BB-4) 36X



M4x30 (BB-3) 72X

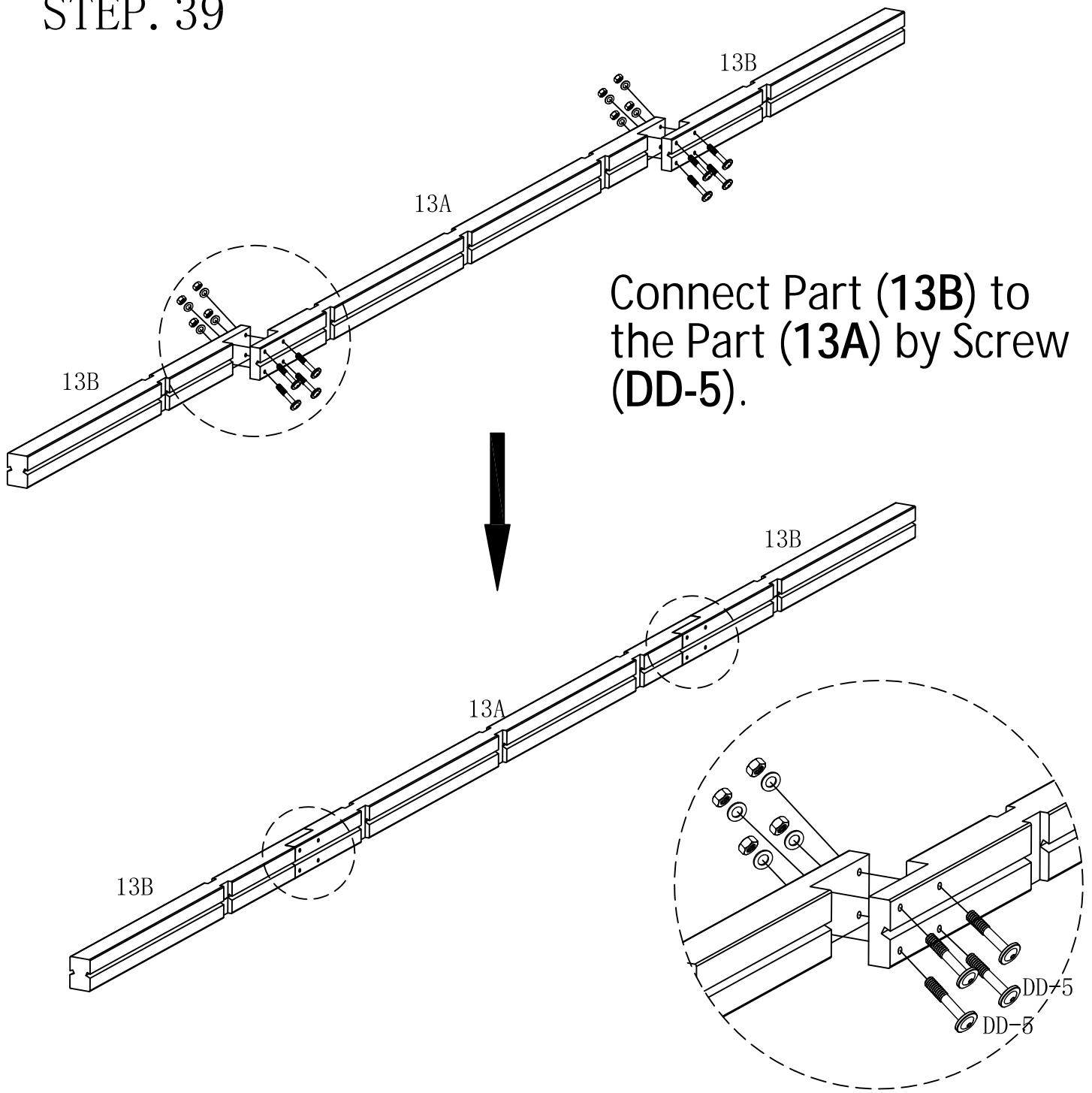
STEP. 38



$$Y1=Y2$$

- ① Make sure the angles of the four corners are all 90° .
- ② Make sure the length of the diagonal Y1 is equal to Y2.

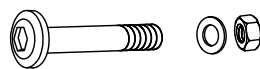
STEP. 39



13A 1X



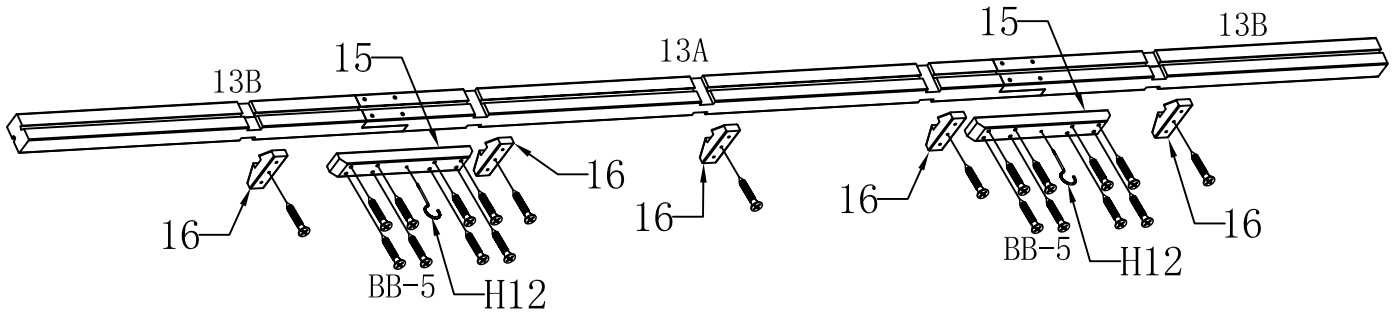
13B 2X



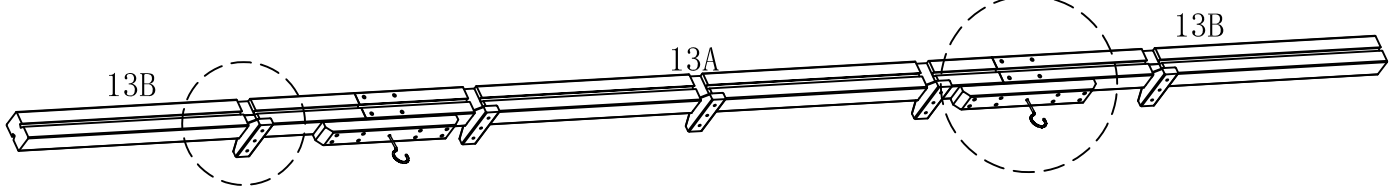
M6x55 DD-5 8X

STEP. 40

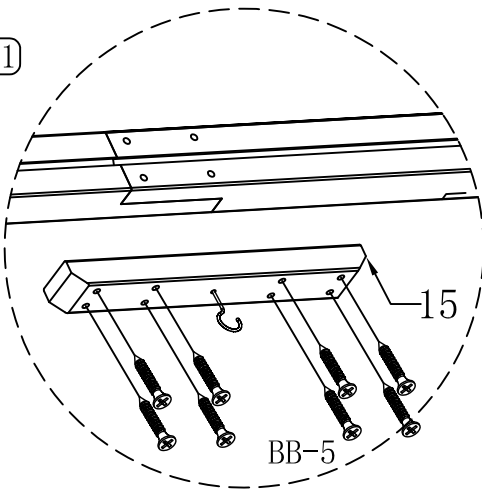
Tighten Part (H12) to the middle of Part (15).
Connect the assembled part to Part (13B) by Screw (BB-5).



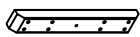
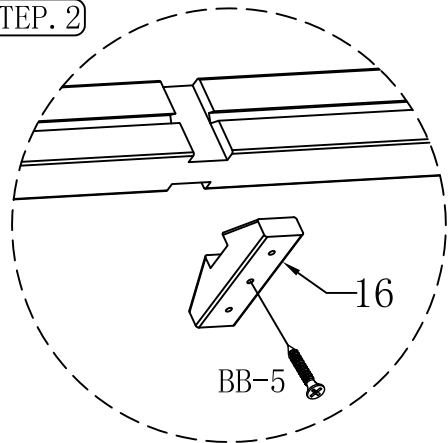
② Connect Part (16) to the assembled part grooves by screw (BB-5).



STEP. 1



STEP. 2



15 2X



16 5X



H12 2X



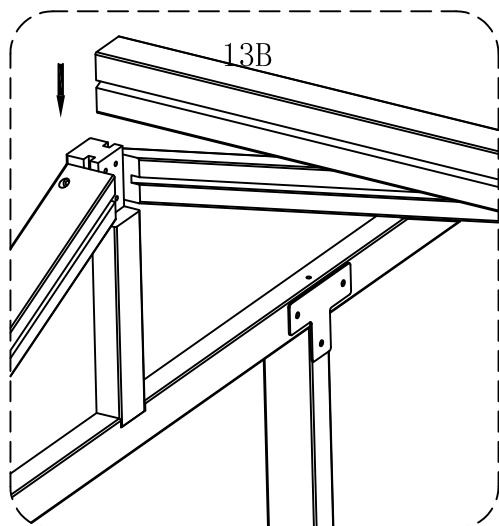
M4x50 BB-5 21X

STEP. 41

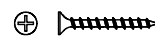
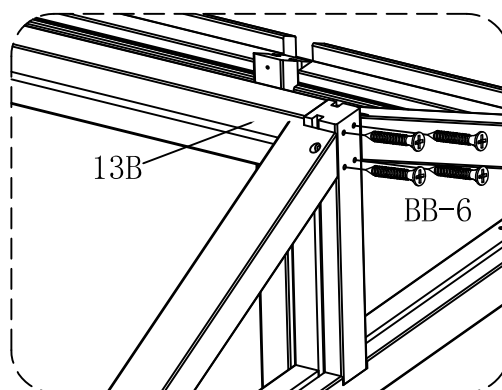
Connect the assembled part on the top of greenhouse by Screw (BB-6).



STEP. 1

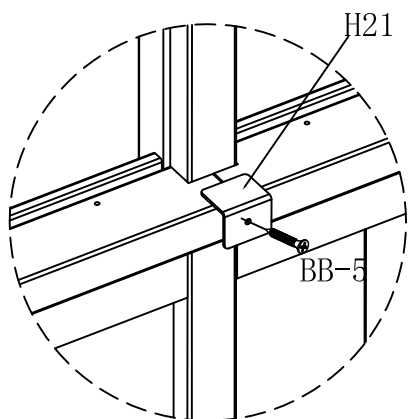
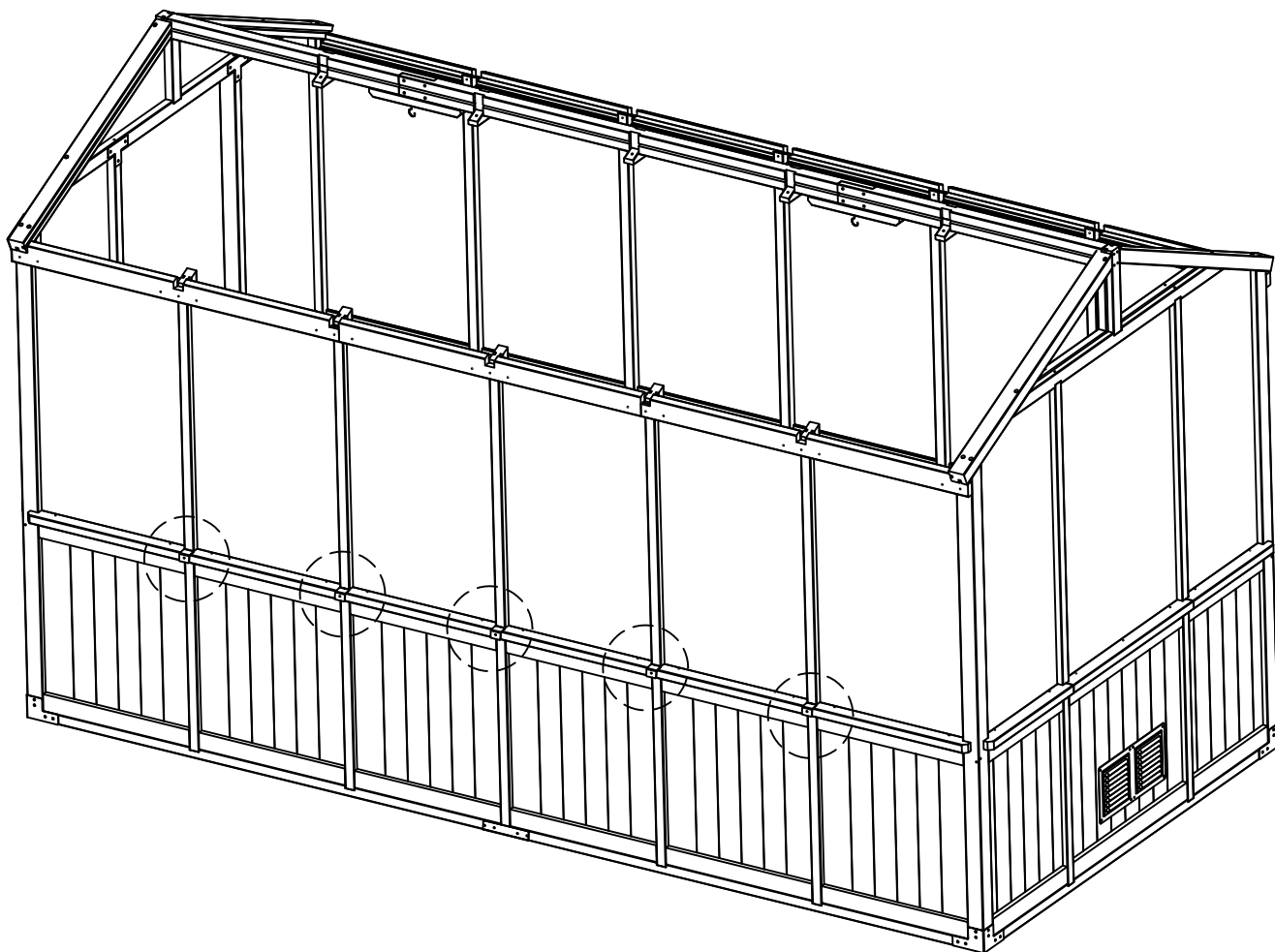


STEP. 2

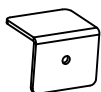


M4x60 (BB-6) 8X

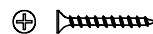
STEP. 42



Connect the Part (H21) on the external of greenhouse by Screw (BB-5).

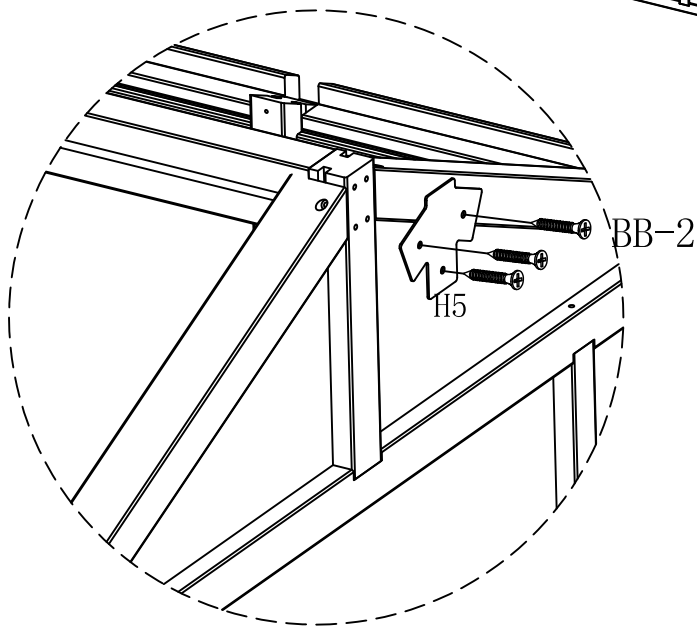
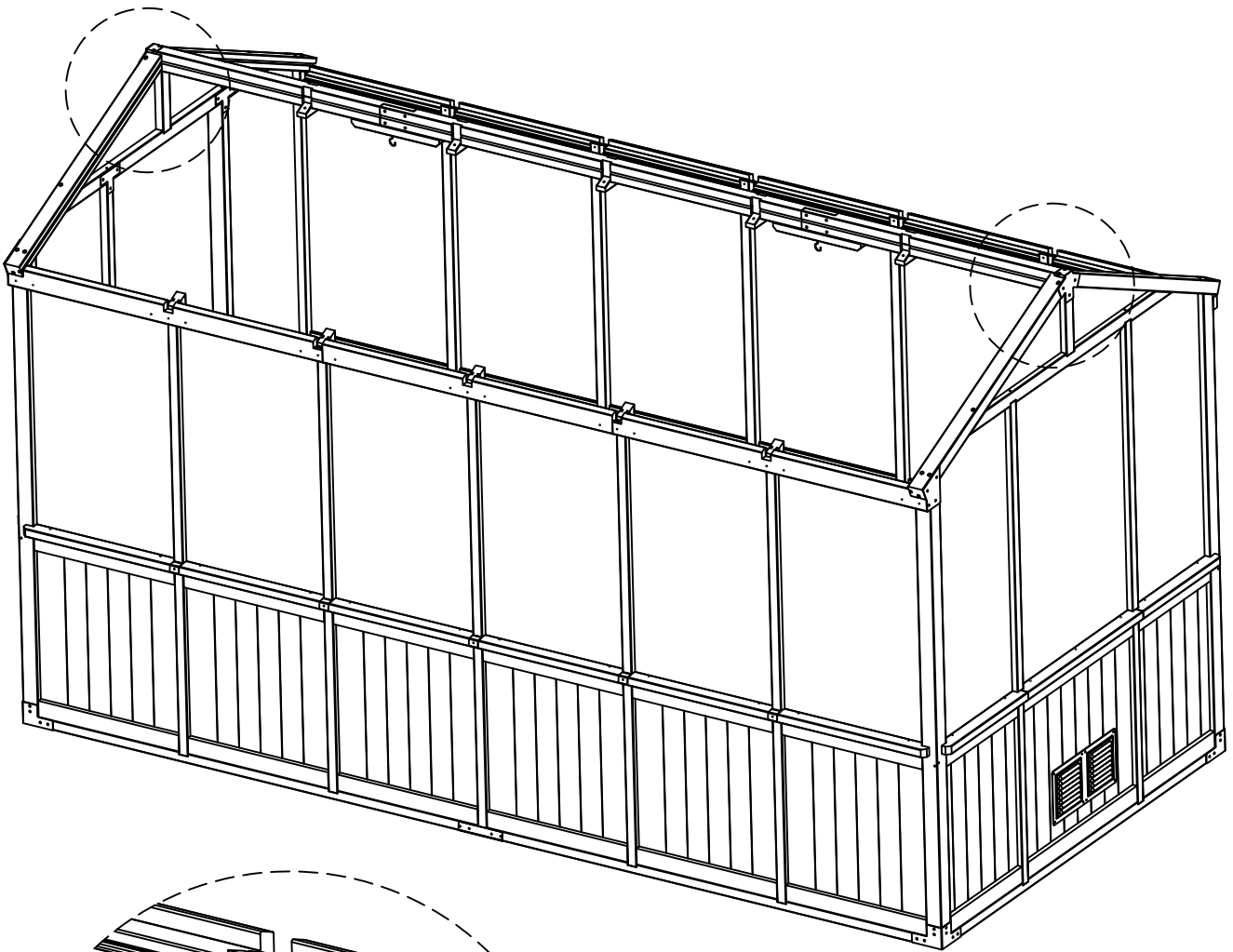


(H21) 10X



M4x50 (BB-5) 10X

STEP. 43



Connect the Part (H5) on the top of greenhouse by Screw (BB-2).

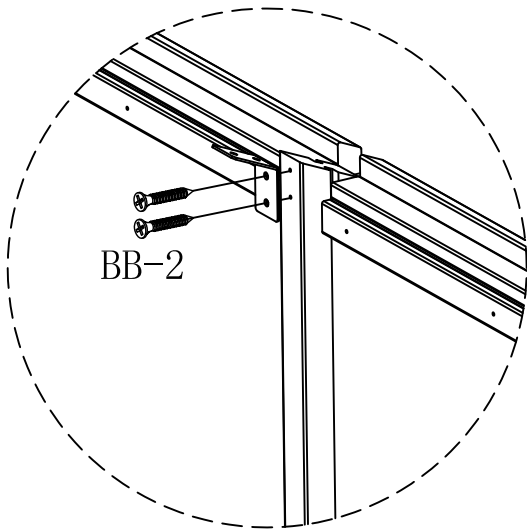
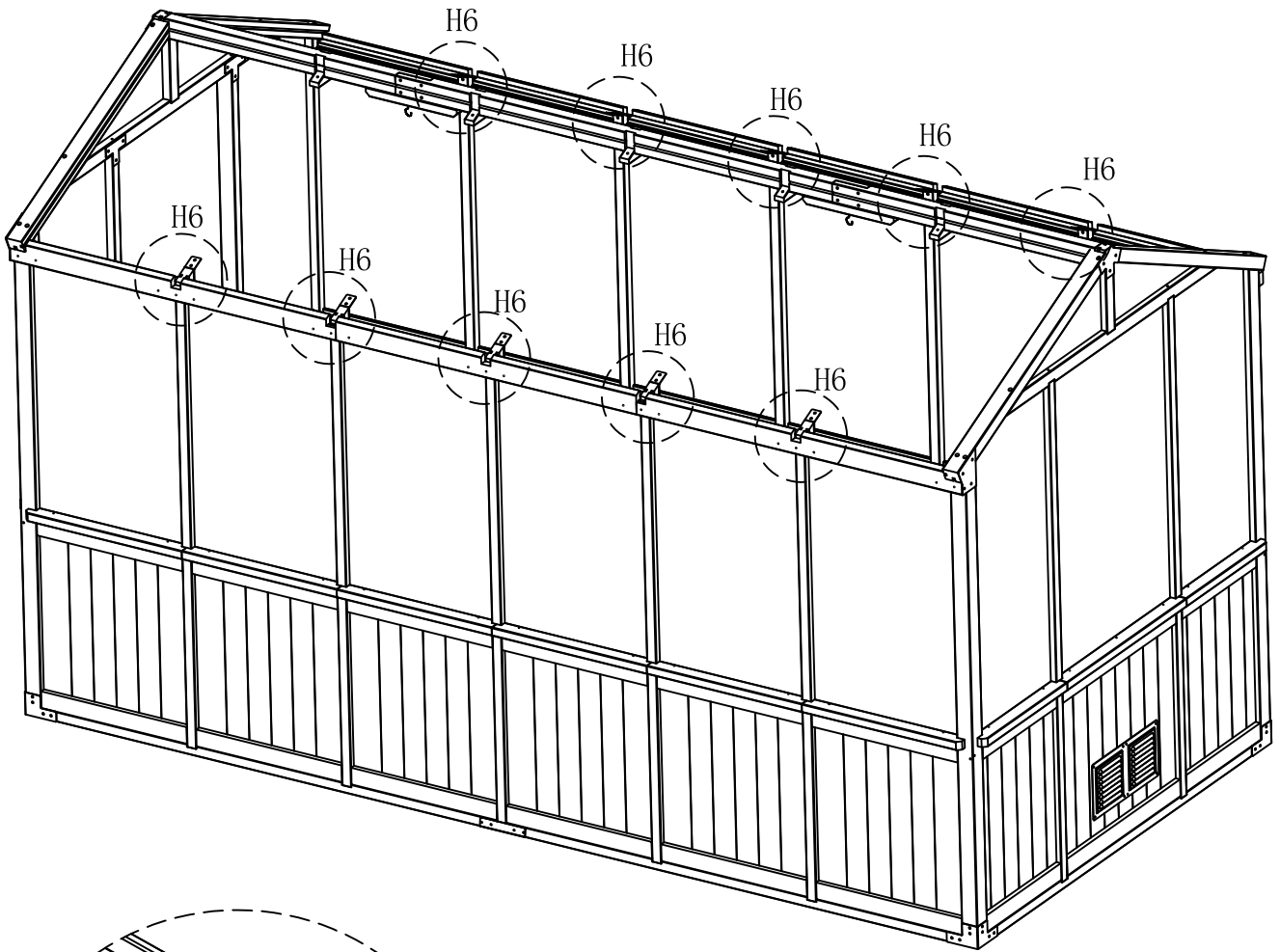


H5 2X

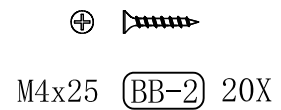
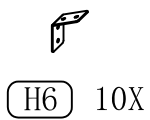


M4x25 BB-2 6X

STEP. 44

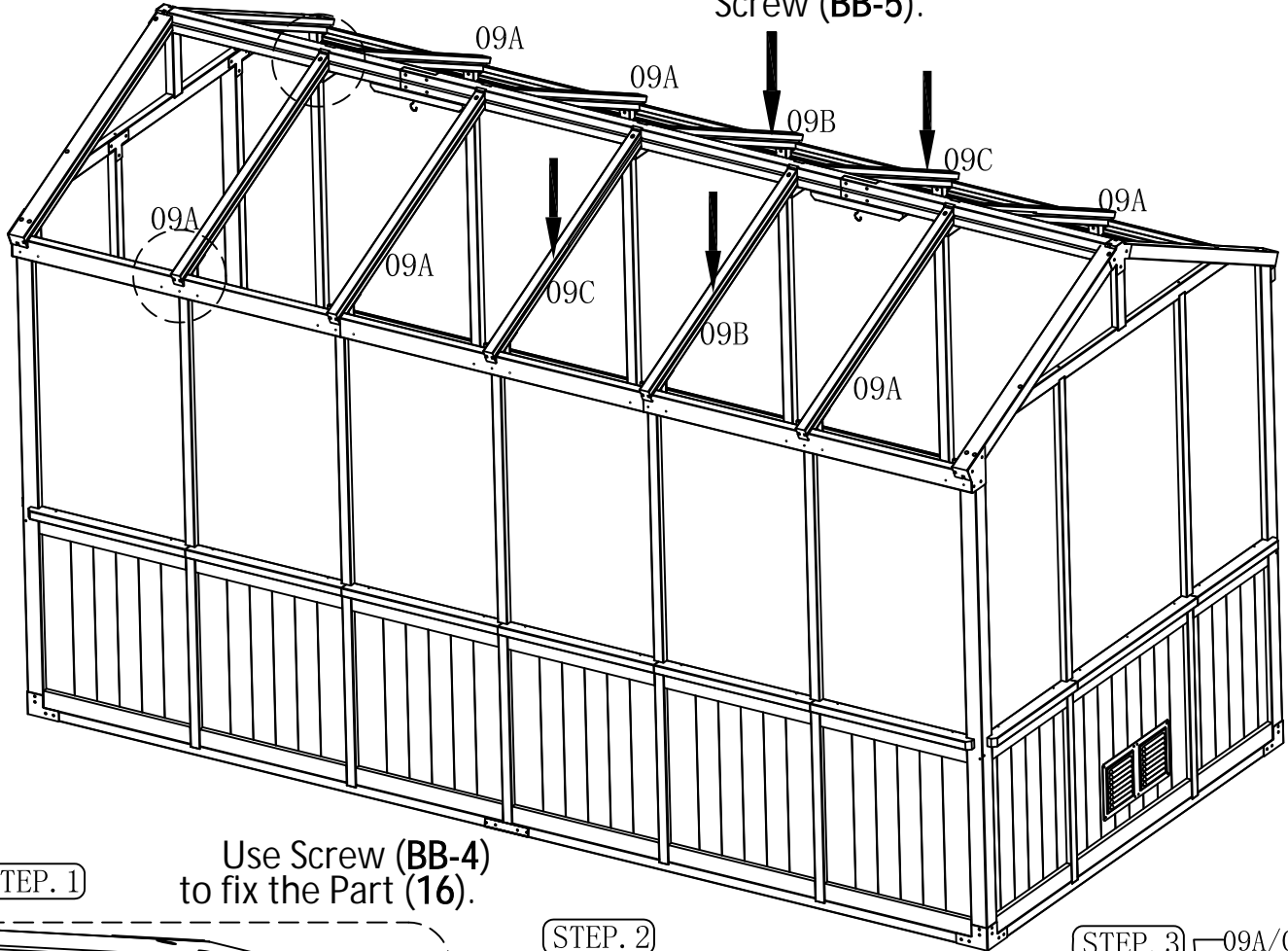


Connect the Part (H6) on the top of greenhouse by Screw (BB-2).



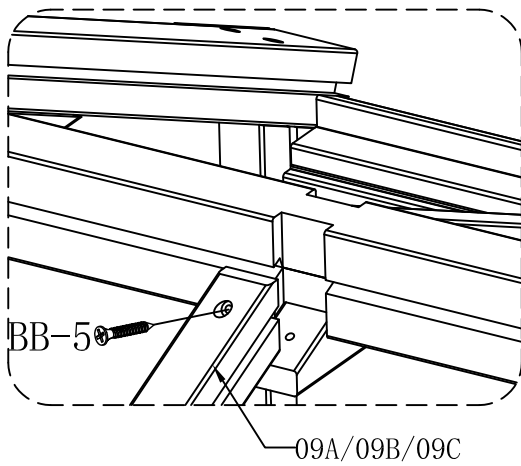
STEP. 45

Connect the Part (09A), Part (09B) and Part (09C) on the top of greenhouse by Screw (BB-5).

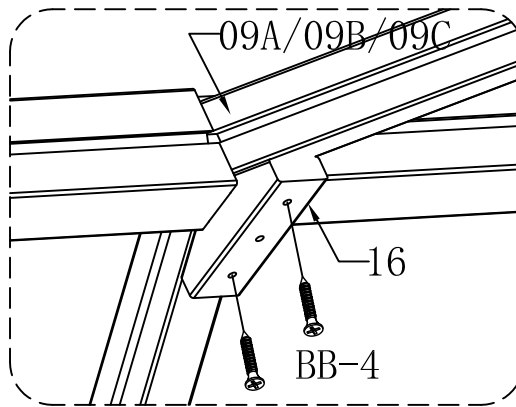


STEP. 1

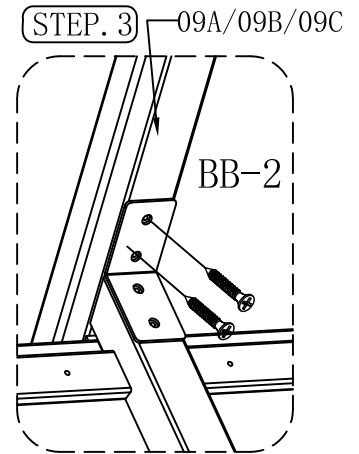
Use Screw (BB-4) to fix the Part (16).



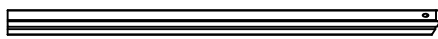
STEP. 2



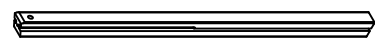
STEP. 3



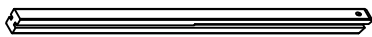
Use Screw (BB-2) to fix the Part (H6).



09A 6X



09B 2X



09C 2X



M4x25 BB-2 20X



M4x40 BB-4 10X

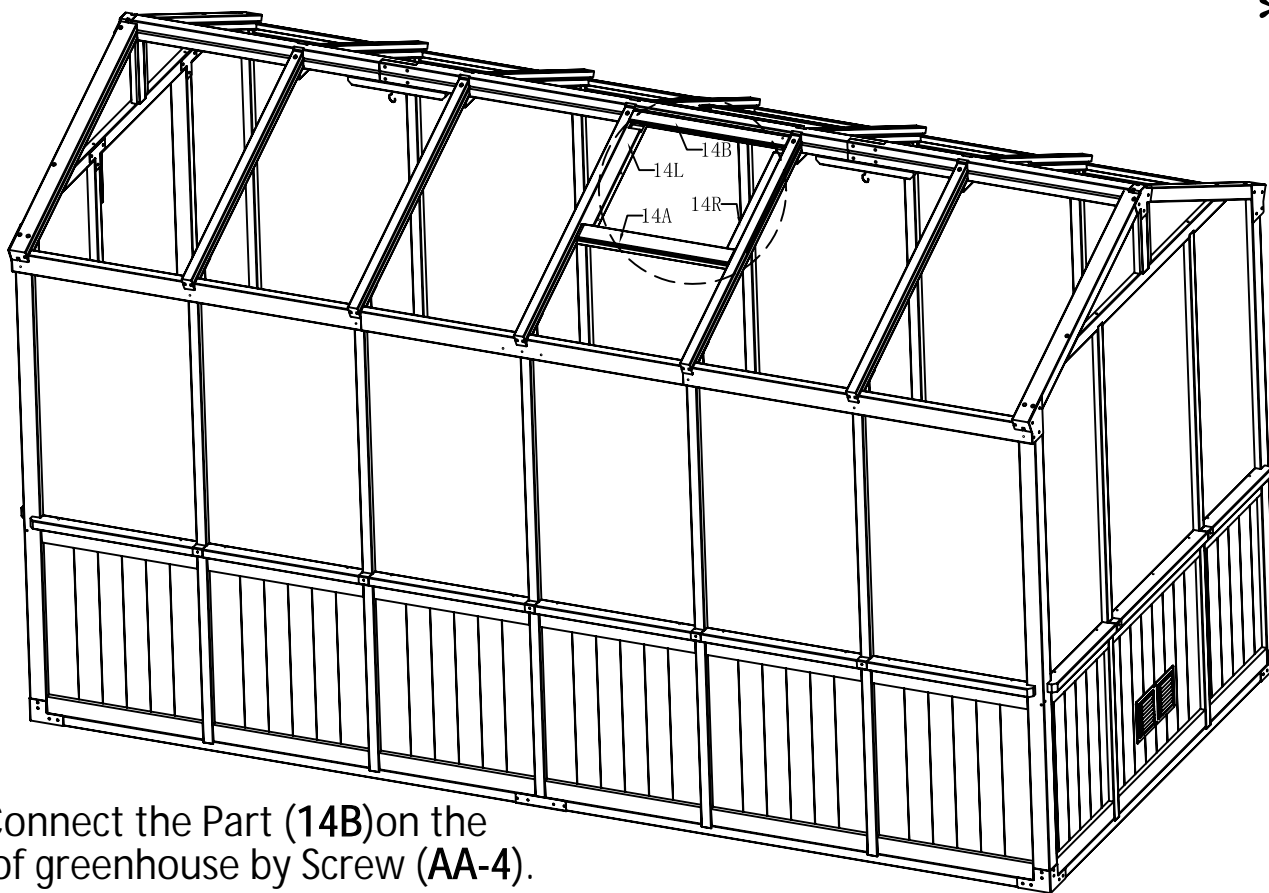


M4x50 BB-5 10X

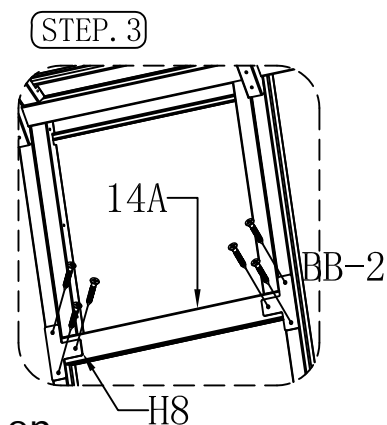
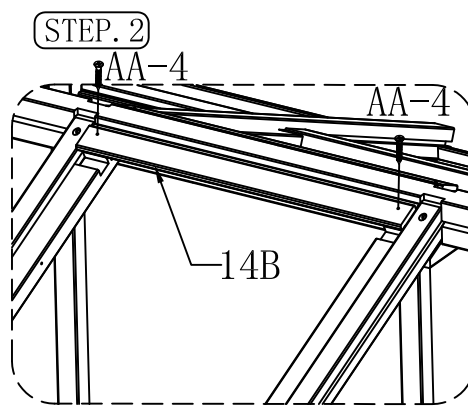
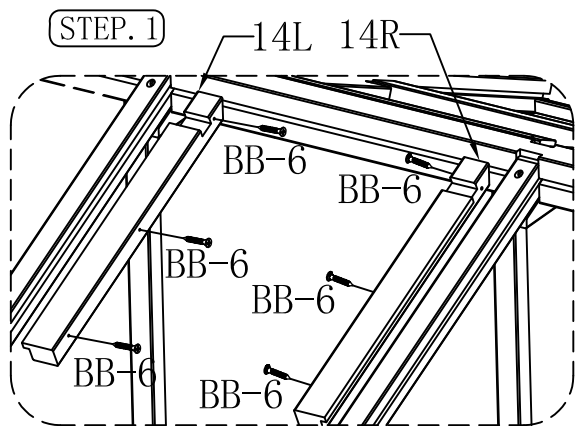
STEP. 46

Connect the Part (14L), Part (14R) on the top of greenhouse by Screw (BB-6).

*2



Connect the Part (14B) on the top of greenhouse by Screw (AA-4).



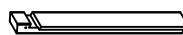
Connect the Part (14A), Part (H8) on the top of greenhouse by Screw (BB-2).



(14A) 2X



(14B) 2X



(14L) 2X



(14R) 2X



(H8) 4X



M3x40 (AA-4) 4X



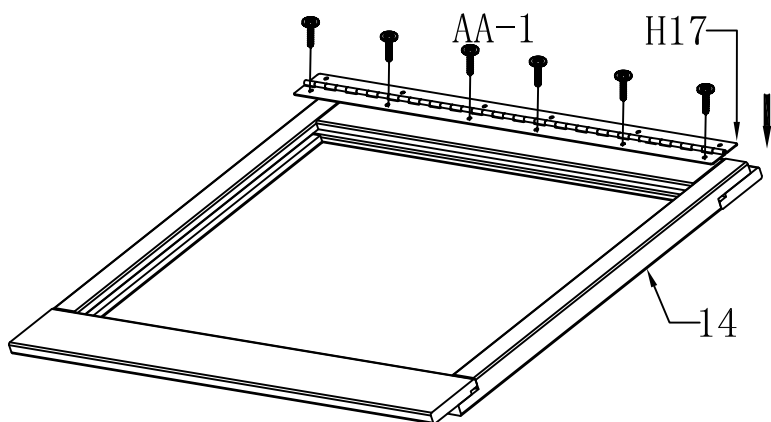
M4x60 (BB-6) 12



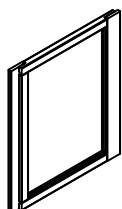
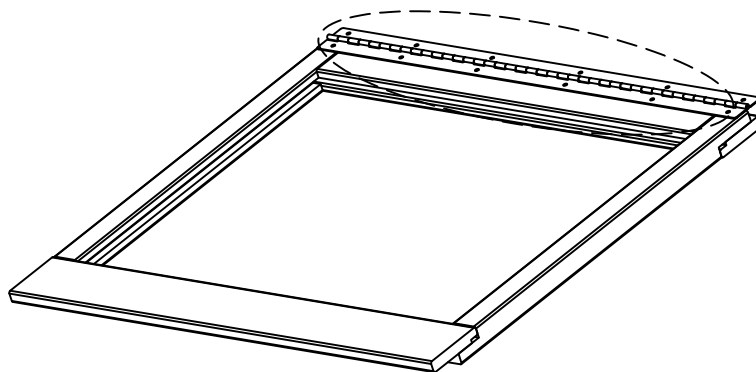
M4x25 (BB-2) 12X

STEP. 47

*2



Connect Part (H17) to Part (14) by Screw (AA-1).



14 2X



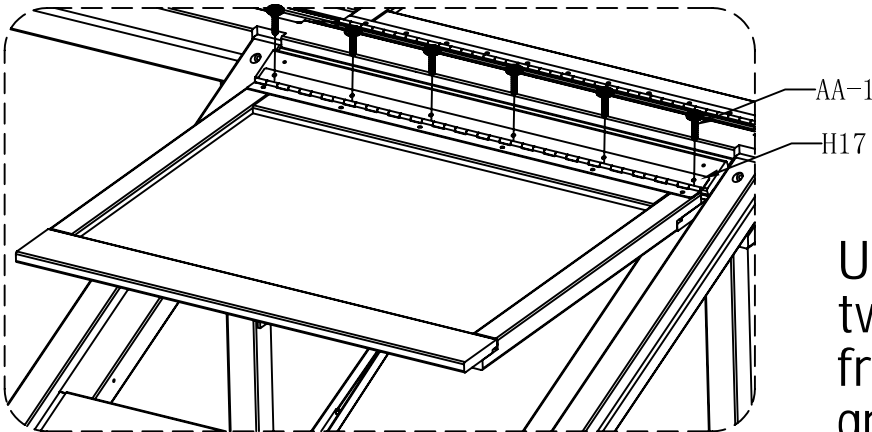
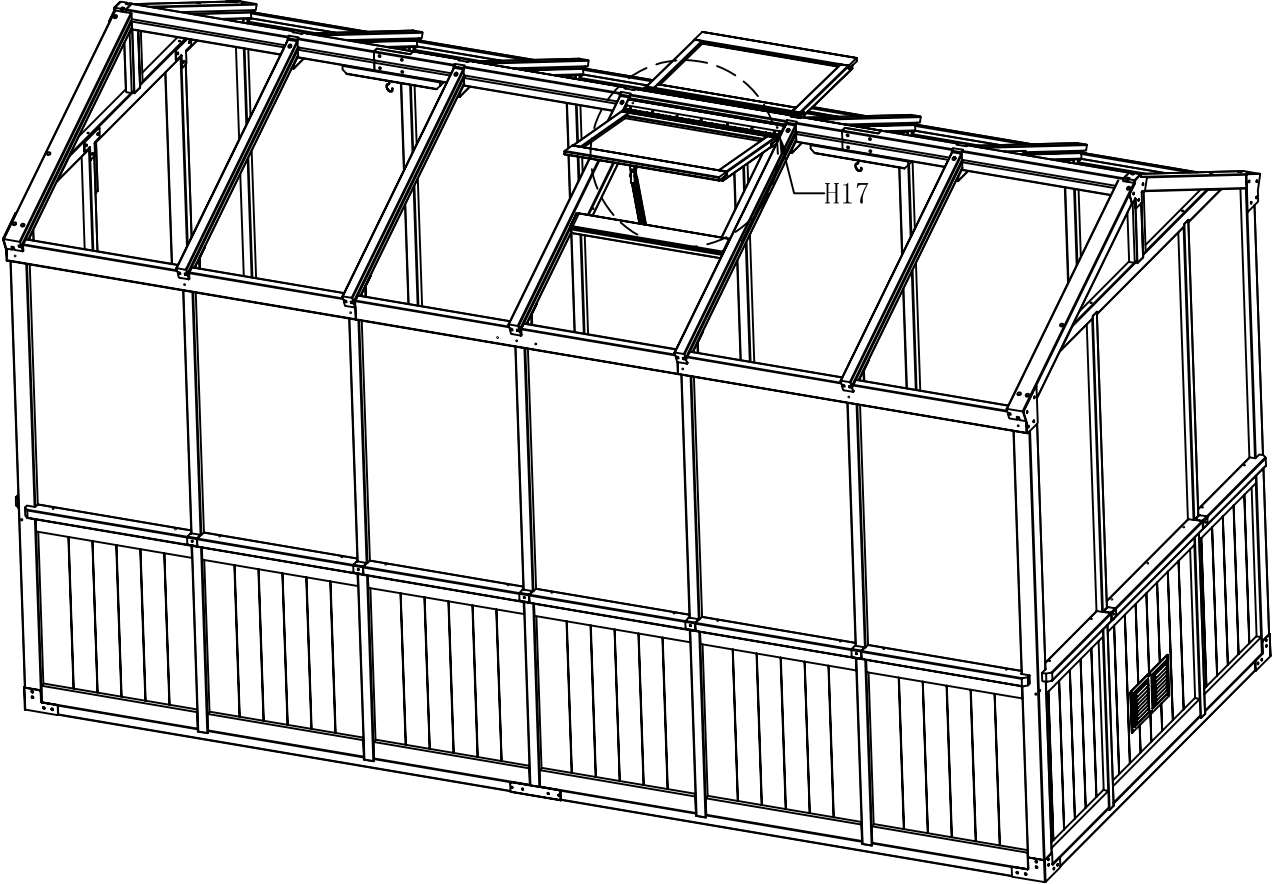
H17 2X



M3x20 AA-1 12X

STEP. 48

*2



Use Screw (**AA-1**) to fix the two assembled skylight frame on the top of greenhouse.

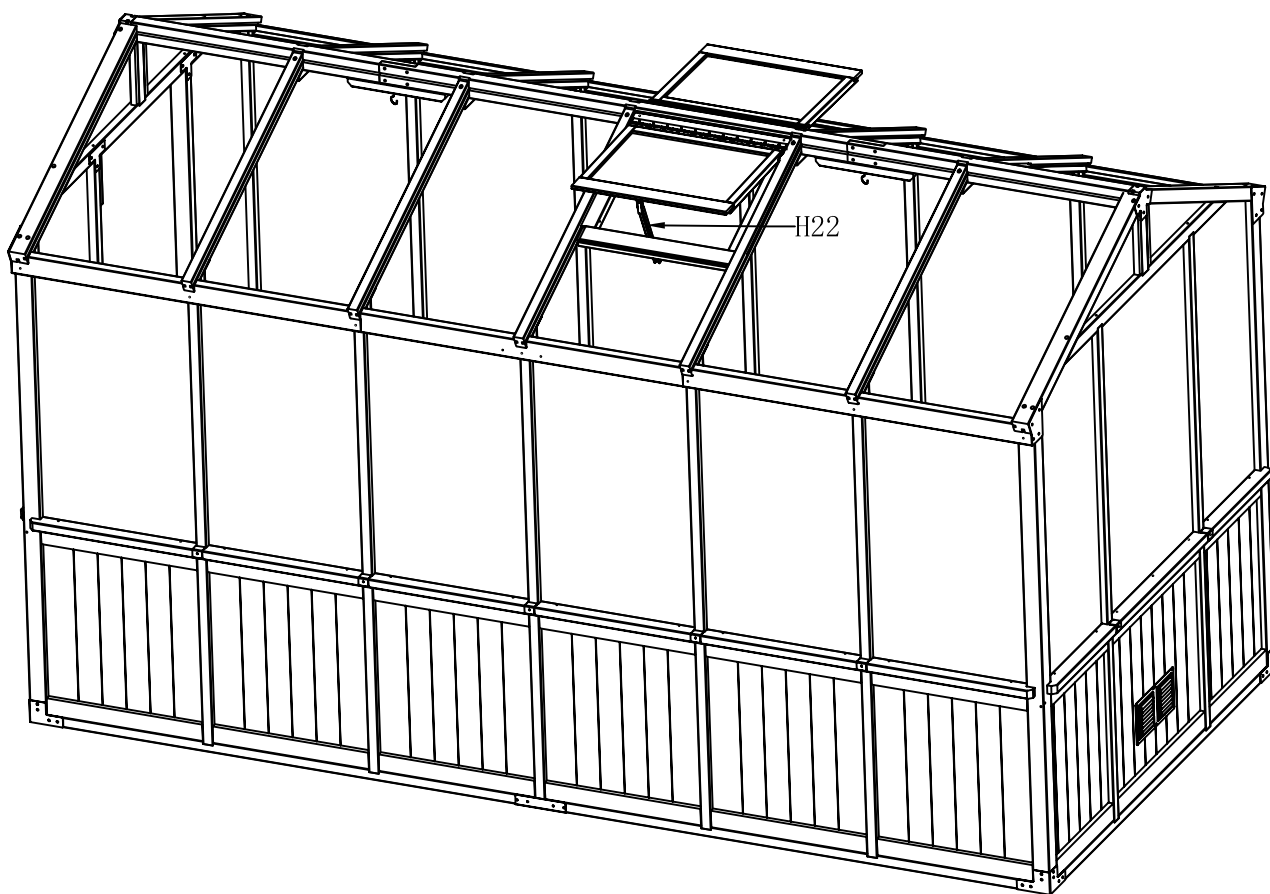


M3x20 (AA-1) 12X

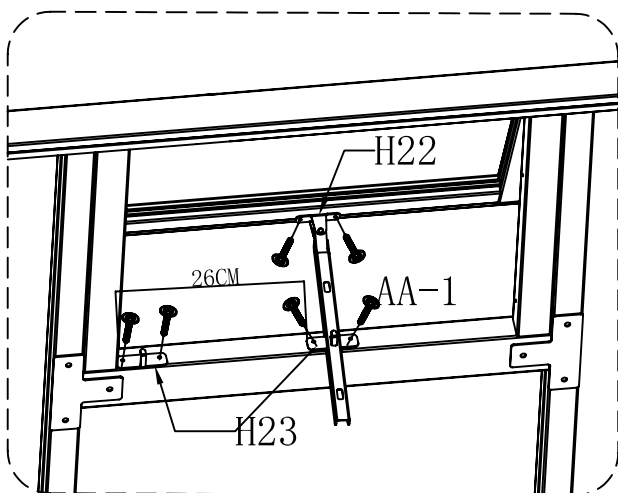
STEP. 49

Connect the Part (H23) to skylight frame by Screw (AA-1). Then connect Part (H22) by Screw (AA-1)

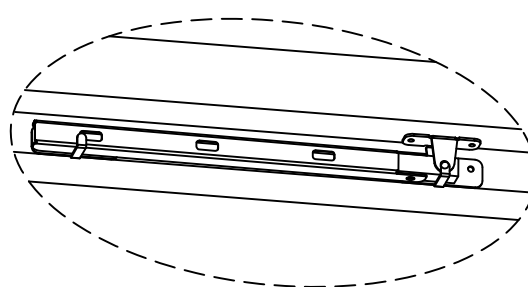
*2



STEP. 1



STEP. 2



Support Rod
Closed State Display



(H22) 2X



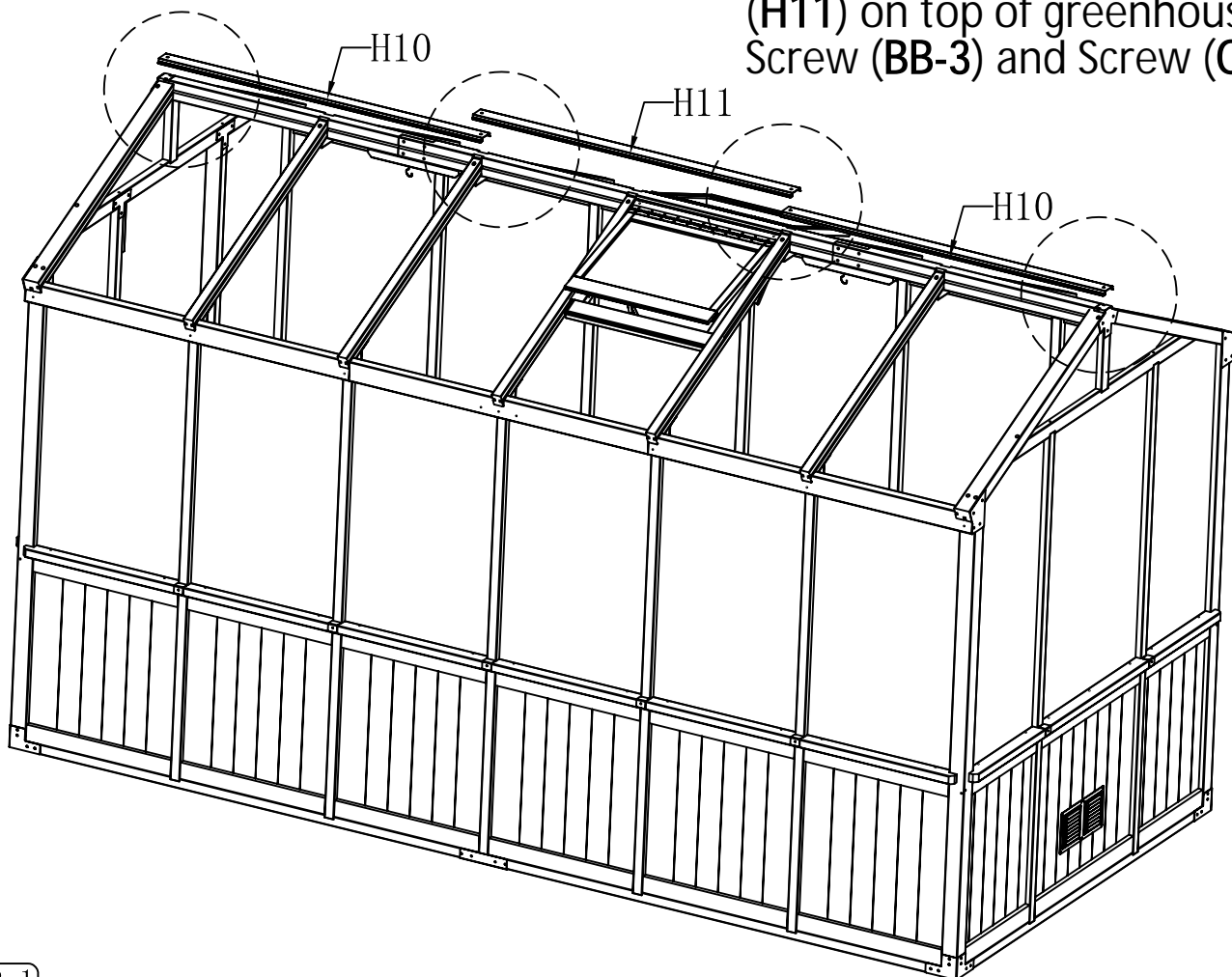
(H23) 4X



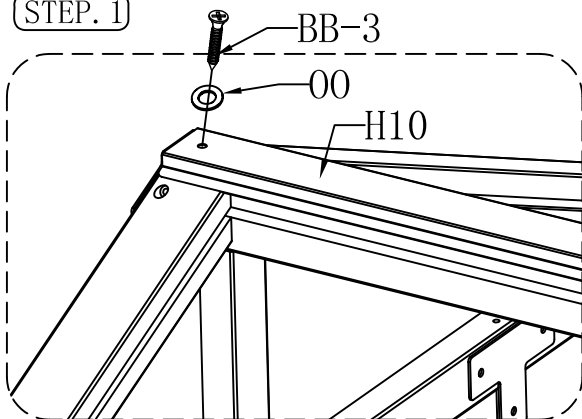
M3x20 (AA-1) 12X

STEP. 50

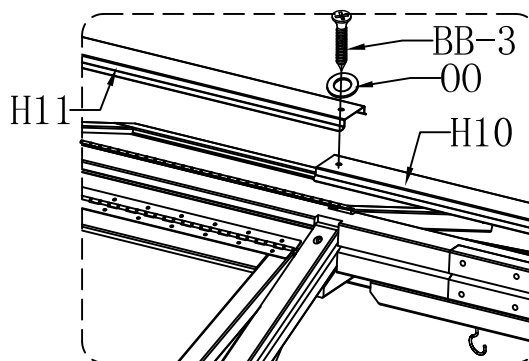
Connect the Part (H10), Part (H11) on top of greenhouse by Screw (BB-3) and Screw (OO).



STEP. 1



STEP. 2



(H10) 2X



(H11) 1X



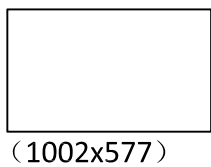
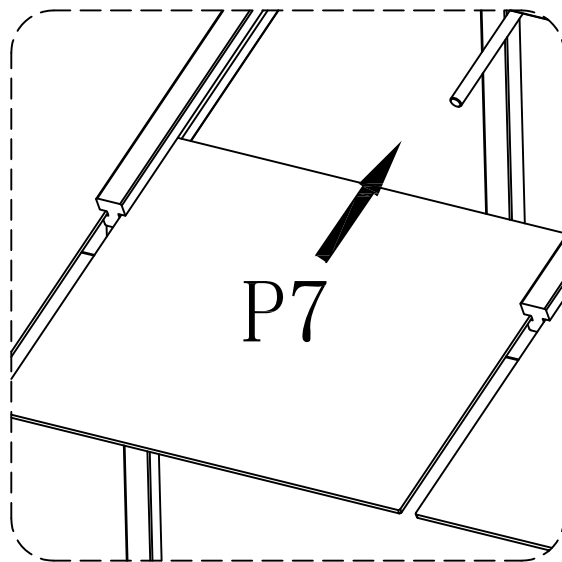
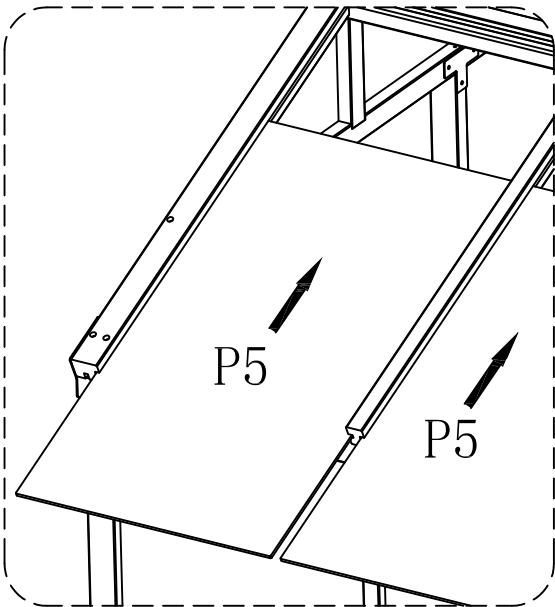
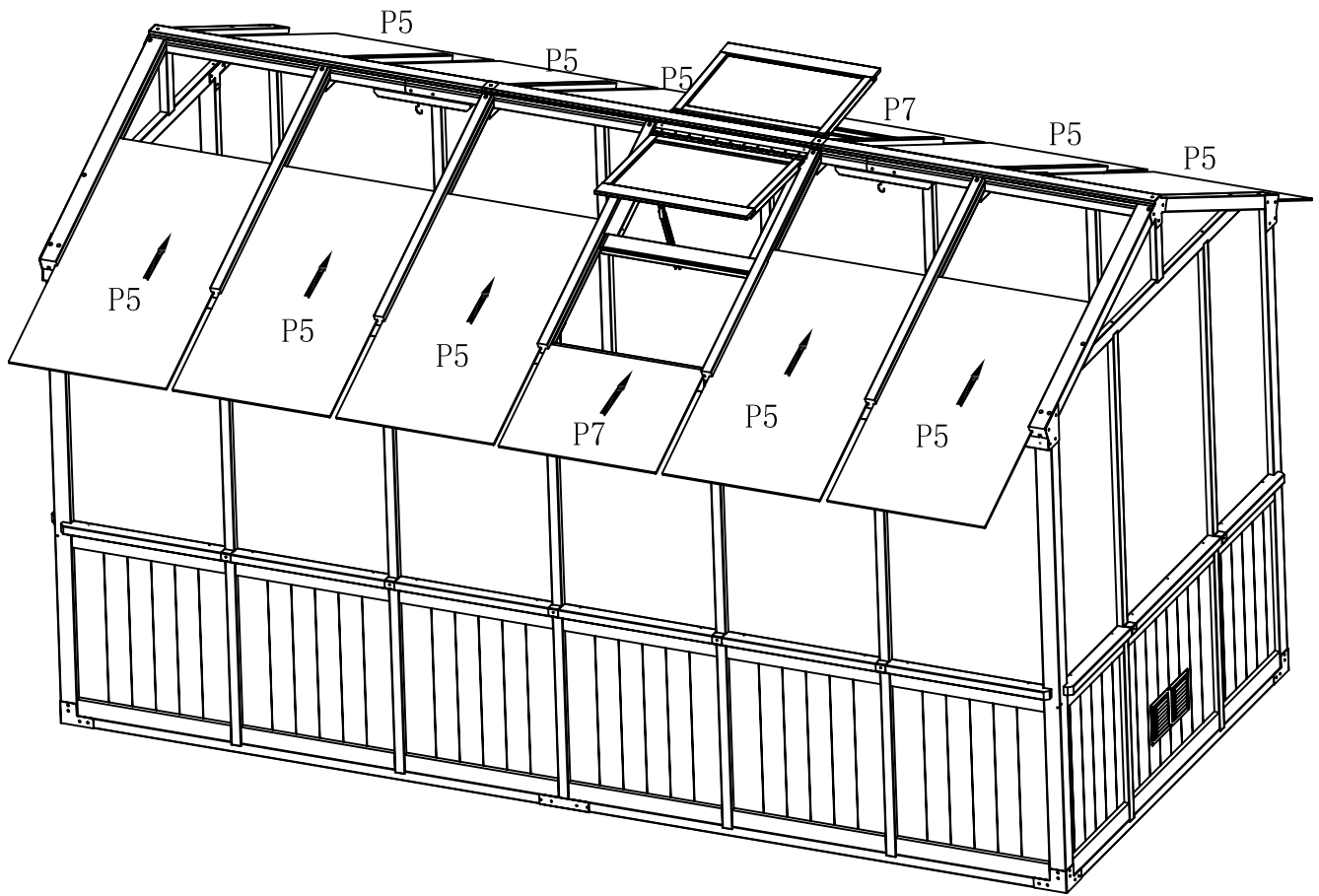
M4x30 (BB-3) 4X



M5 (OO) 4X

STEP. 51

Insert the Part (P5) and Part (P7) on the top of greenhouse.



P5 10X

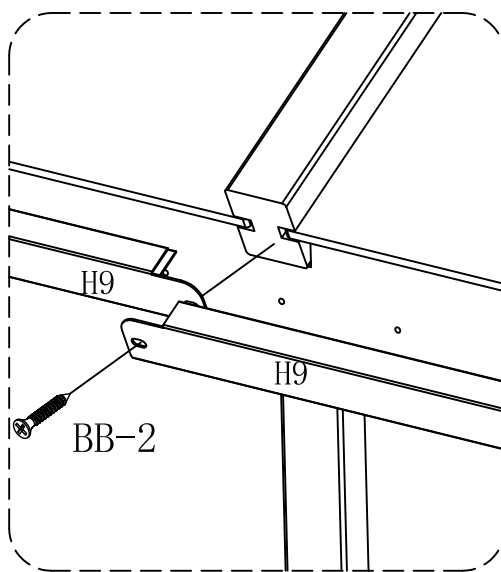
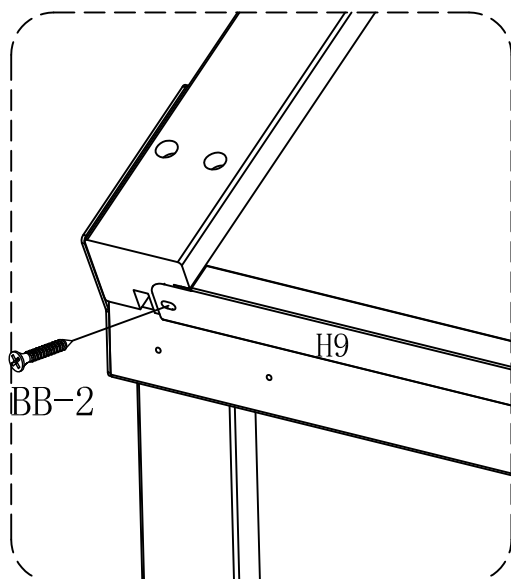
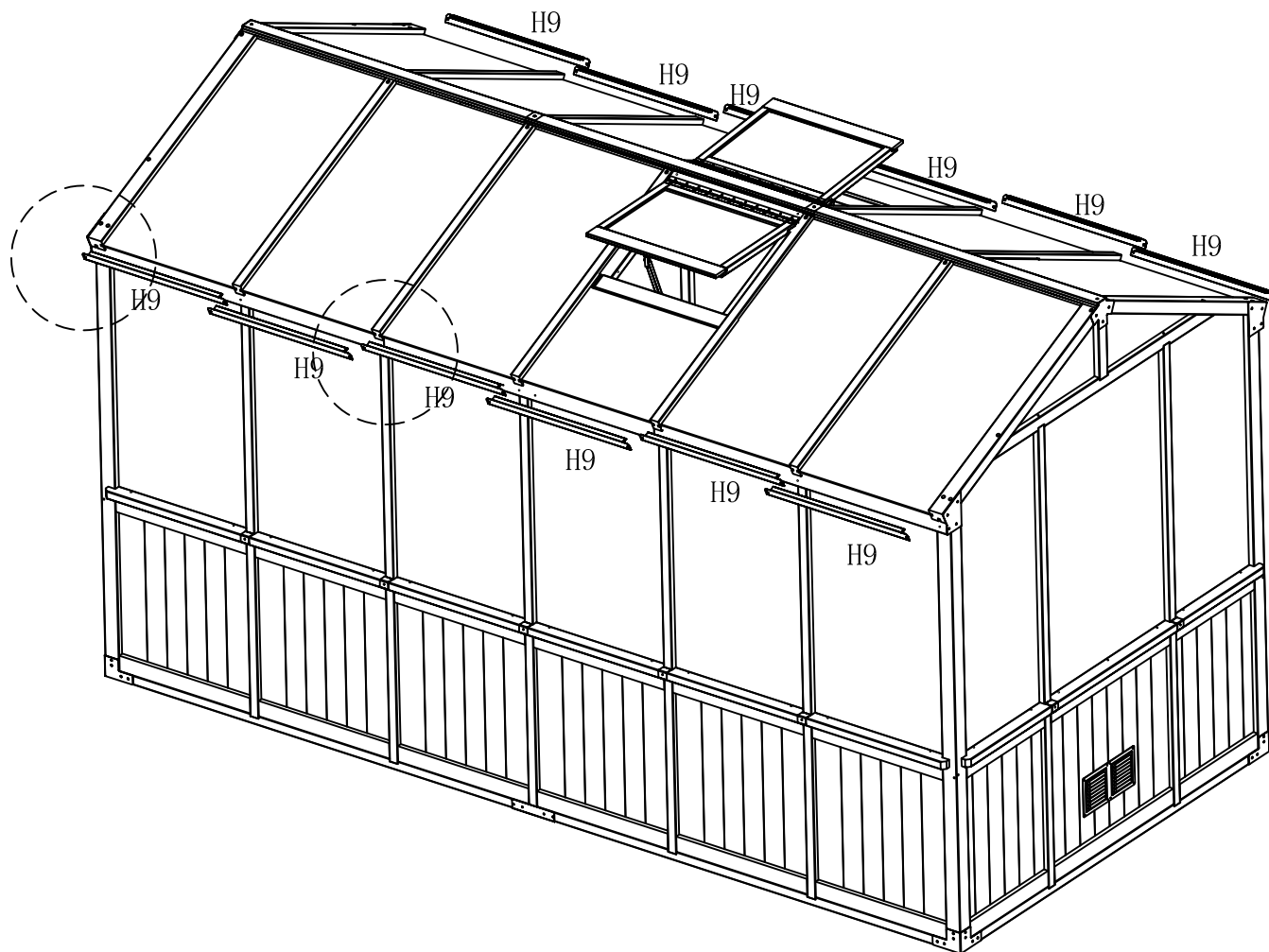


(557x460)

P7 2X

STEP. 52

Connect the Part (H9) to the above polycarbonate board by Screw (BB-2).

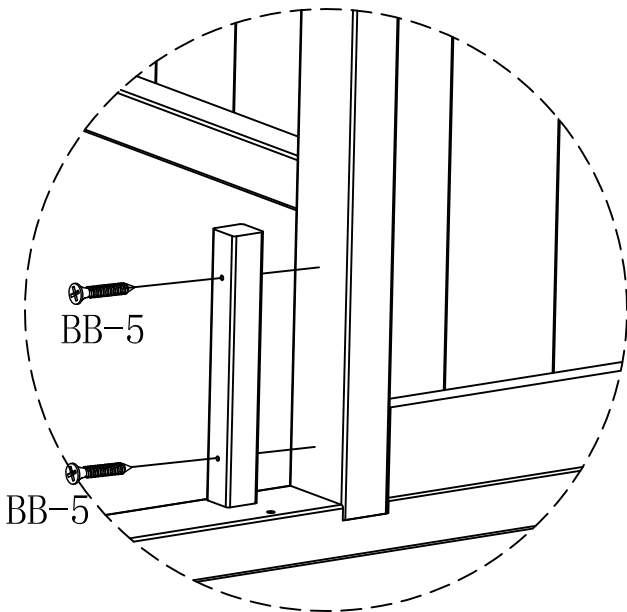
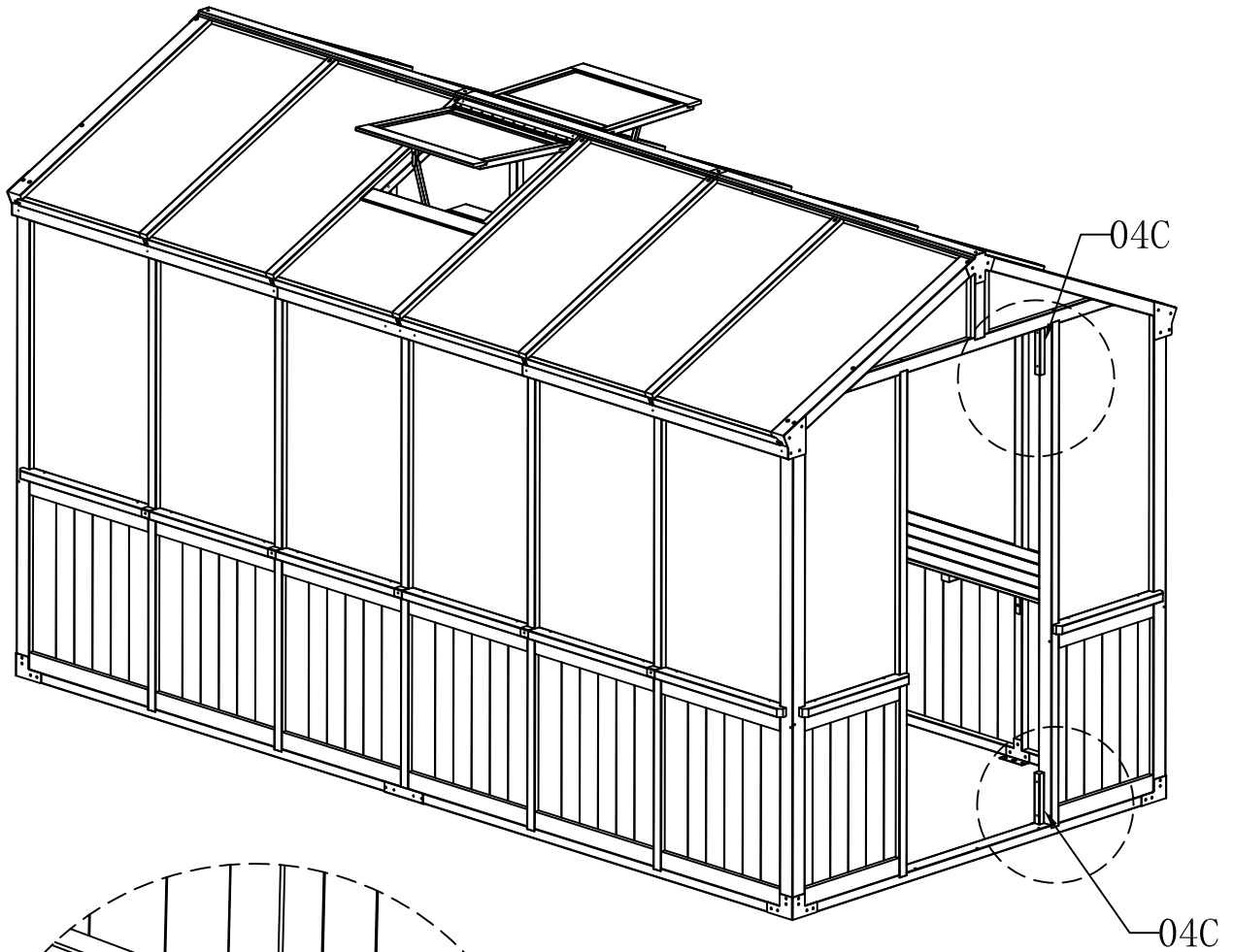


(H9) 12X



M4x25 (BB-2) 14X

STEP. 53



Connect the Part (04C) to the door frame by Screw (BB-5).



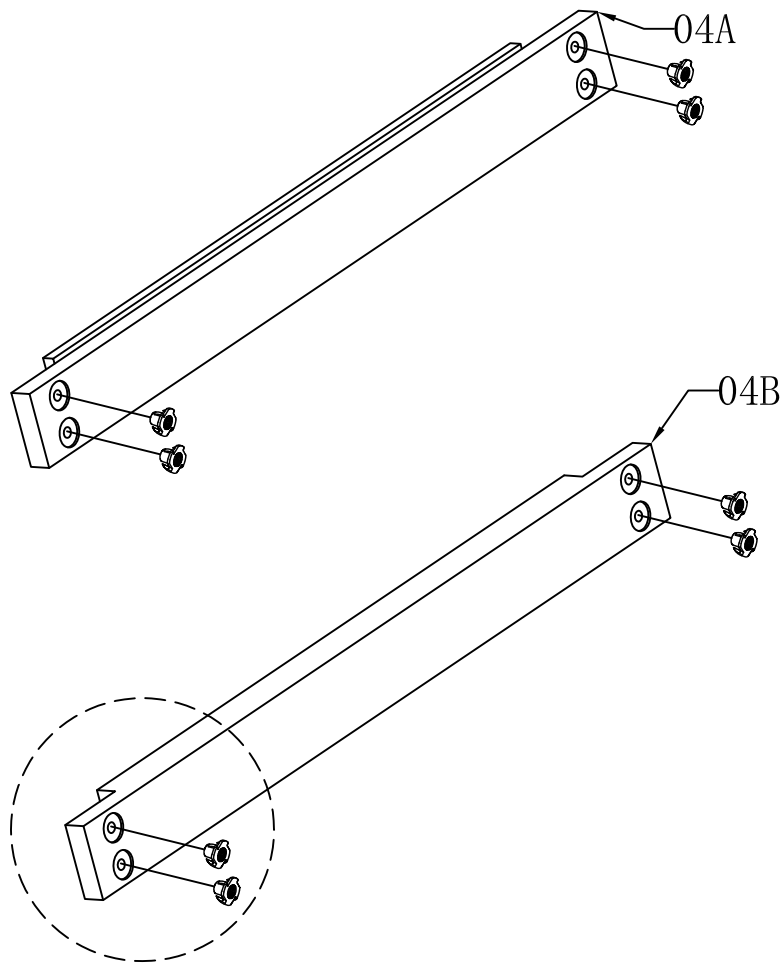
04C 2X



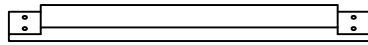
M4x50 BB-5 4X

STEP. 54

Place Screw (MM-1) to the Part (04A) and Part (04B).



04A 2X



04B 1X



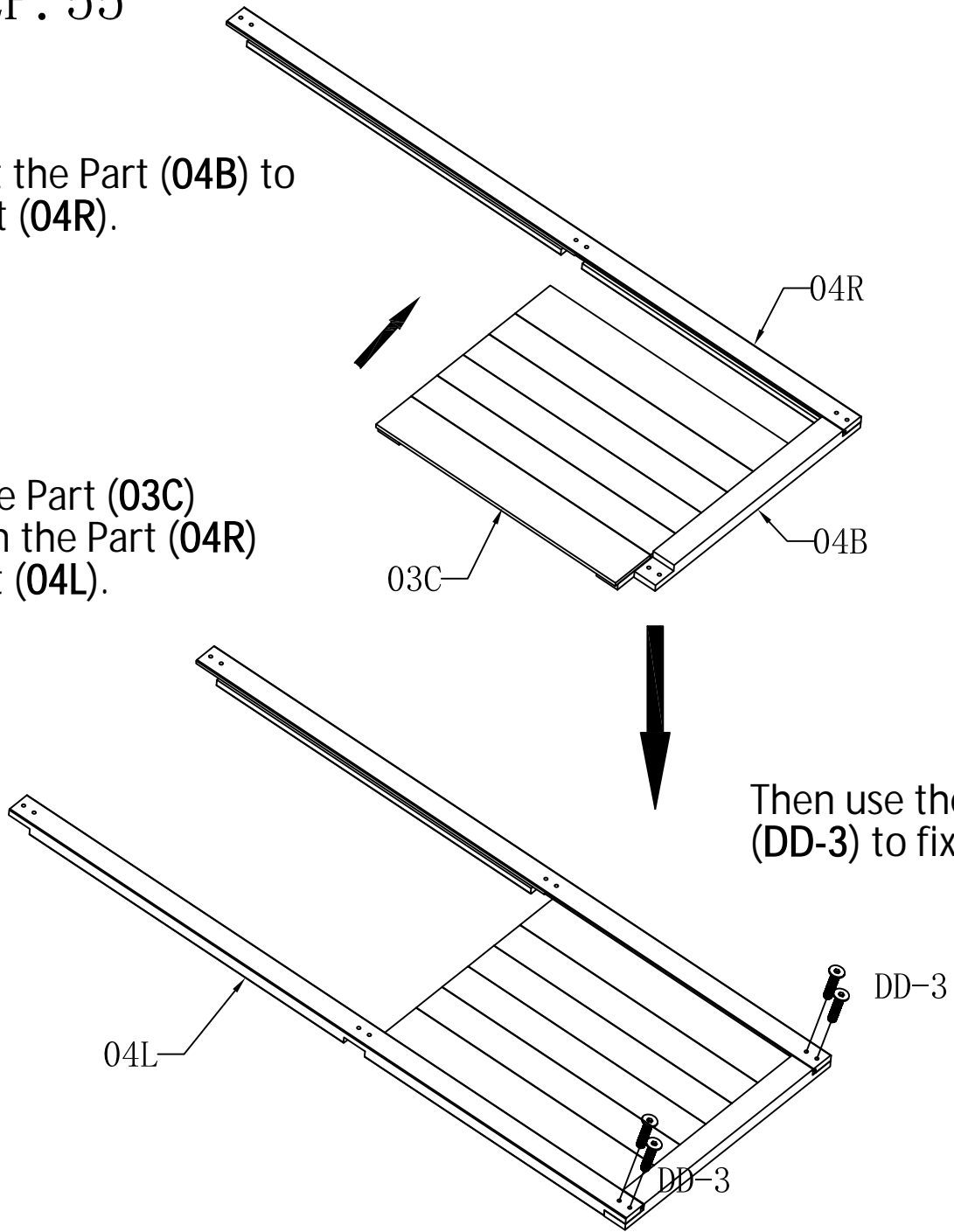
M6X10 MM-1 12X

STEP. 55

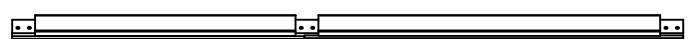
Connect the Part (04B) to the Part (04R).

Place the Part (03C) between the Part (04R) and Part (04L).

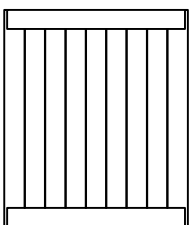
Then use the screw (DD-3) to fix.



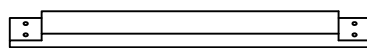
(04L) 1X



(04R) 1X



(03C) 1X



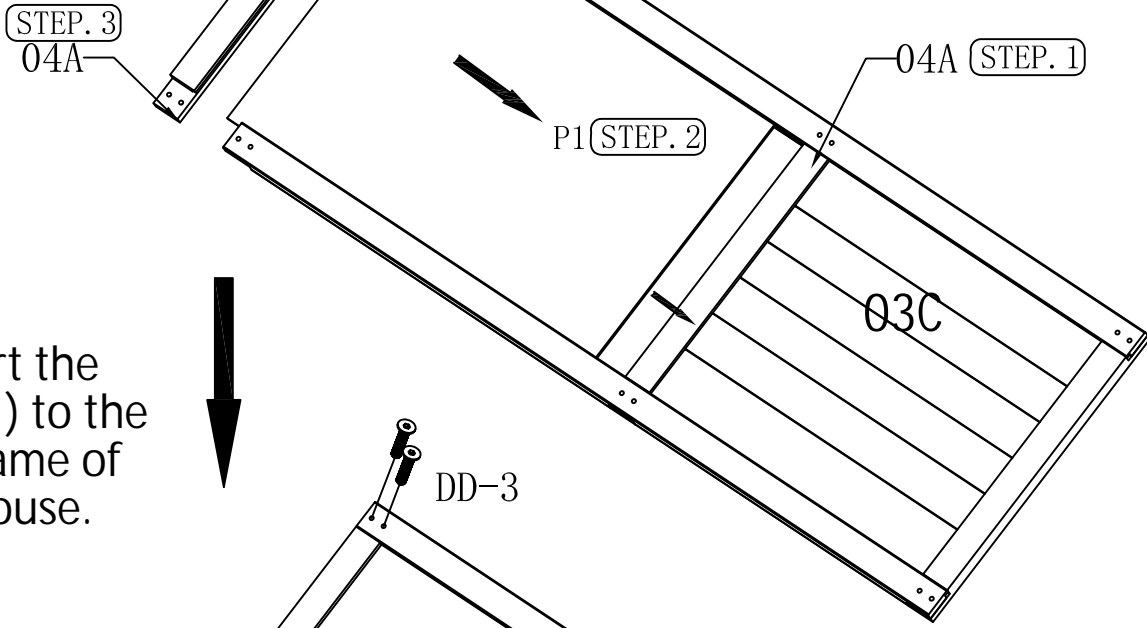
(04B) 1X



M6X35 (DD-3) 4X

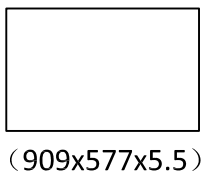
STEP. 56

Connect the Part (04A) to the top of Part (03C) by Screw (DD-3).

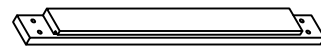


② Insert the Part (P1) to the door frame of greenhouse.

③ Connect the Part (04A) to the top of Part (P1) by Screw (DD-3).



(P1) 1X



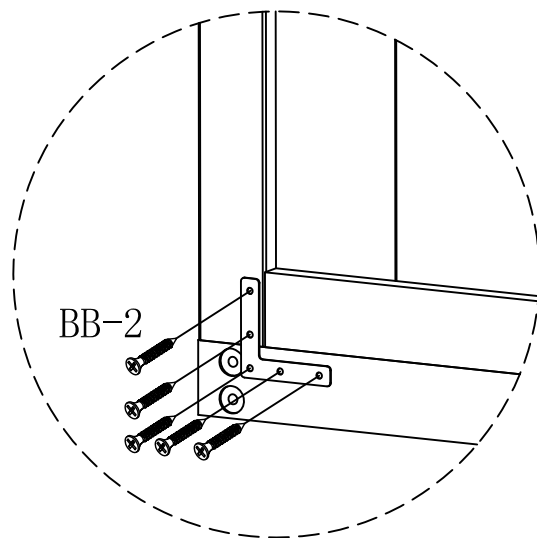
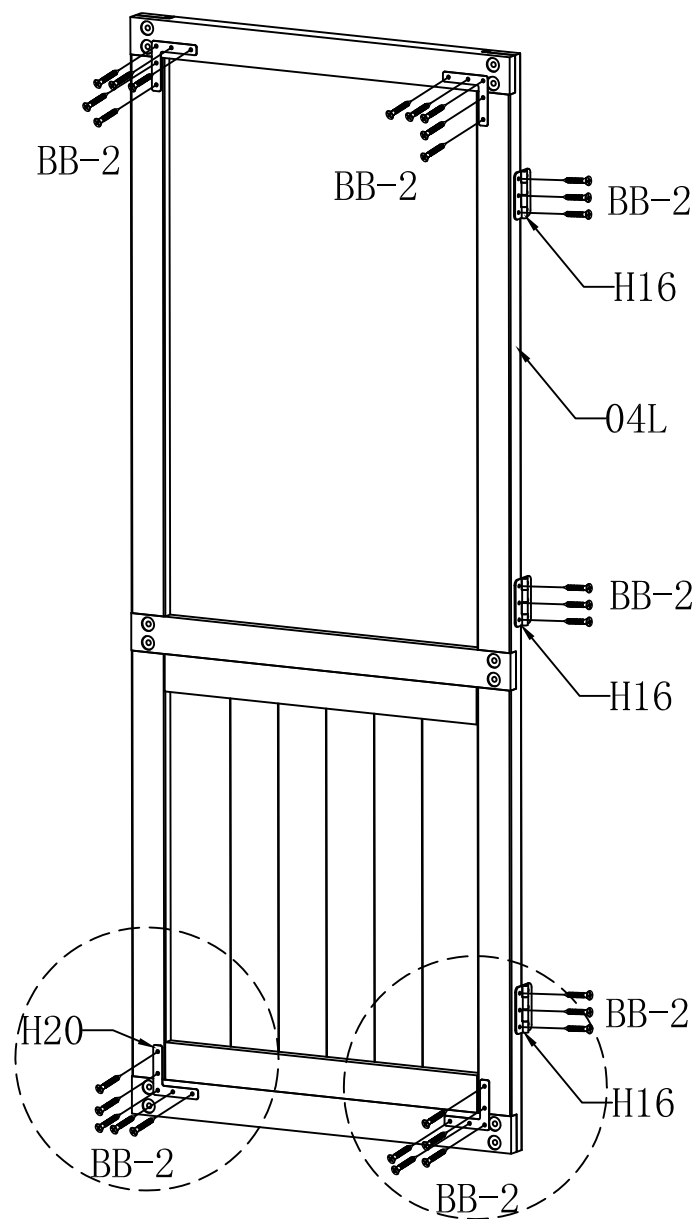
(04A) 2X



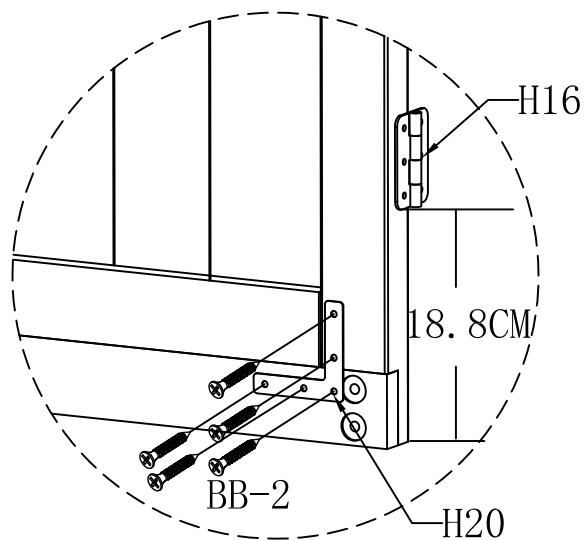
M6X35 (DD-3) 8X

STEP. 57

Connect the Part (H16) to the door frame by Screw (BB-2).



Connect the Part (H20) to the door frame by Screw (BB-2).



(H16) 3X

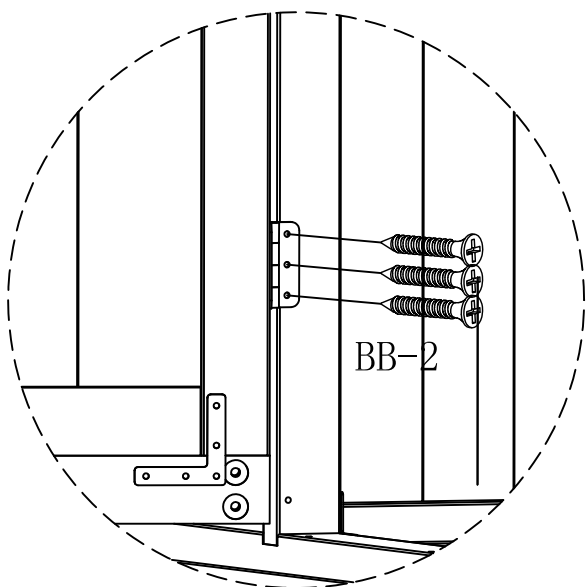
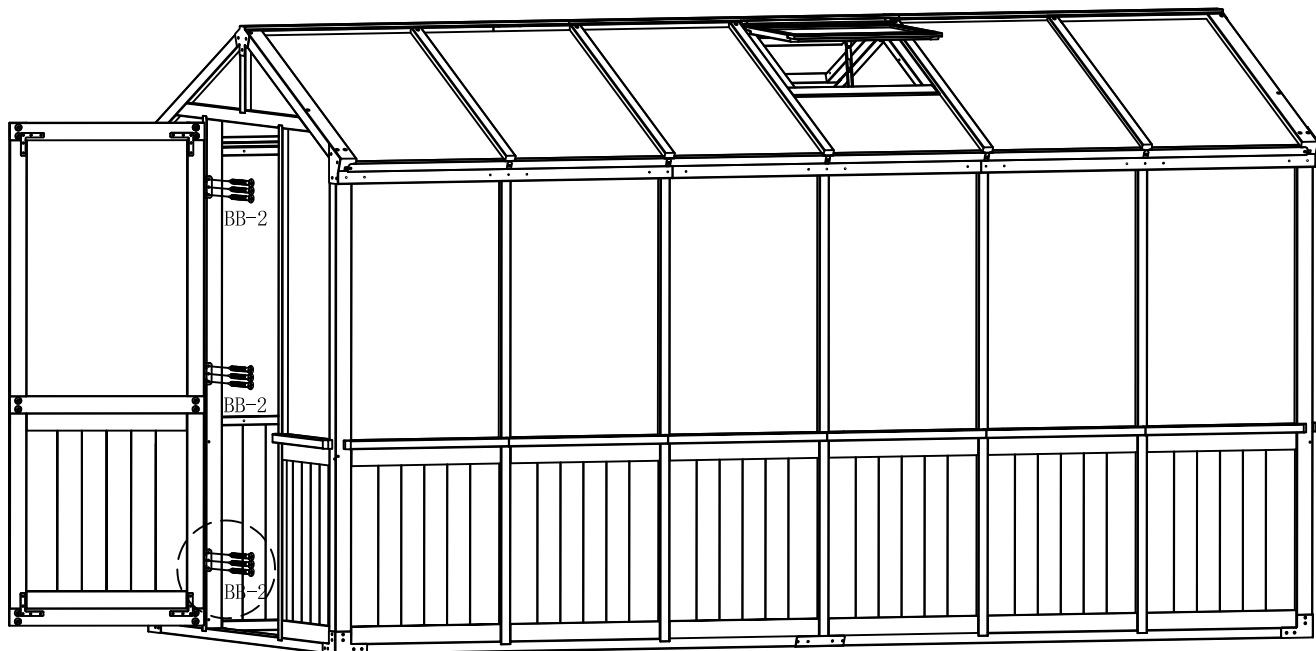


(H20) 4X



M4x25 (BB-2) 29X

STEP. 58

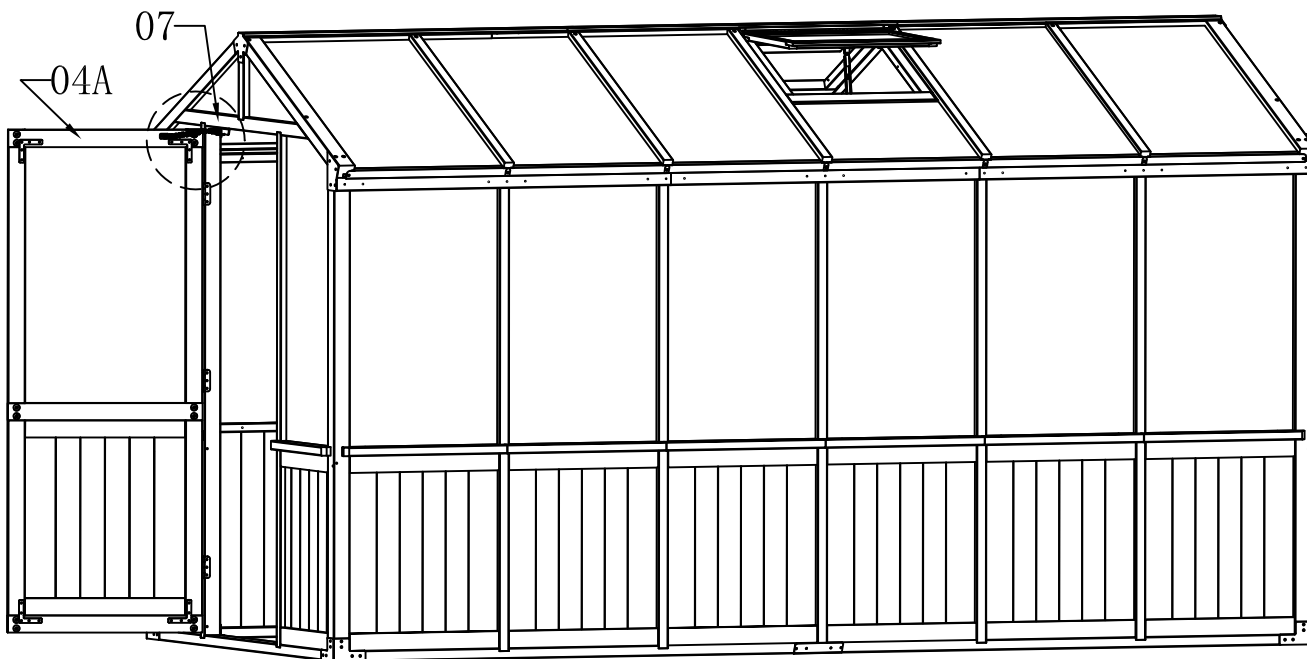


Connect the door to the whole greenhouse frame by Screw (**BB-2**).



M4x25 **BB-2** 9X

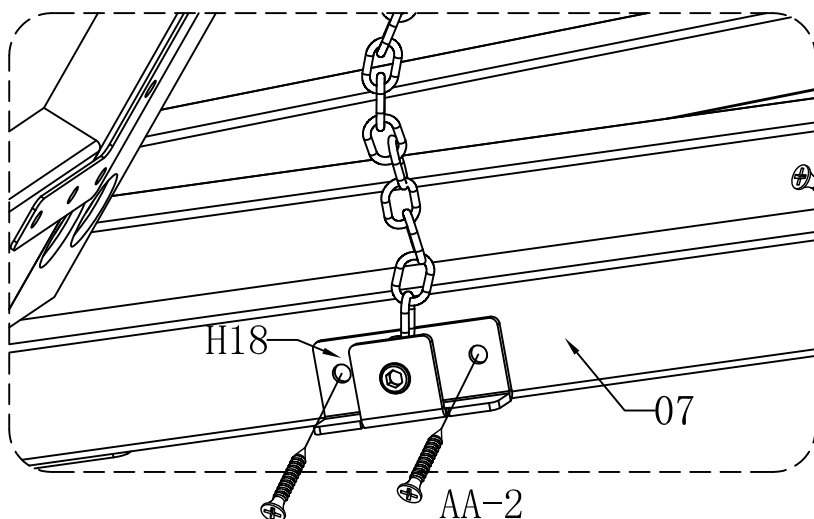
STEP. 59



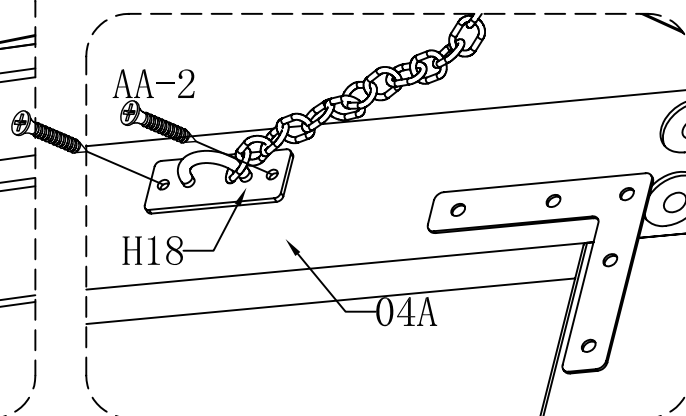
Connect one side of Part (H18) to Part (07) internal door's top by Screw (AA-2).

Connect another side of Part (H18) to Part (04A) of door beam by Screw (AA-2).

STEP. 1



STEP. 2

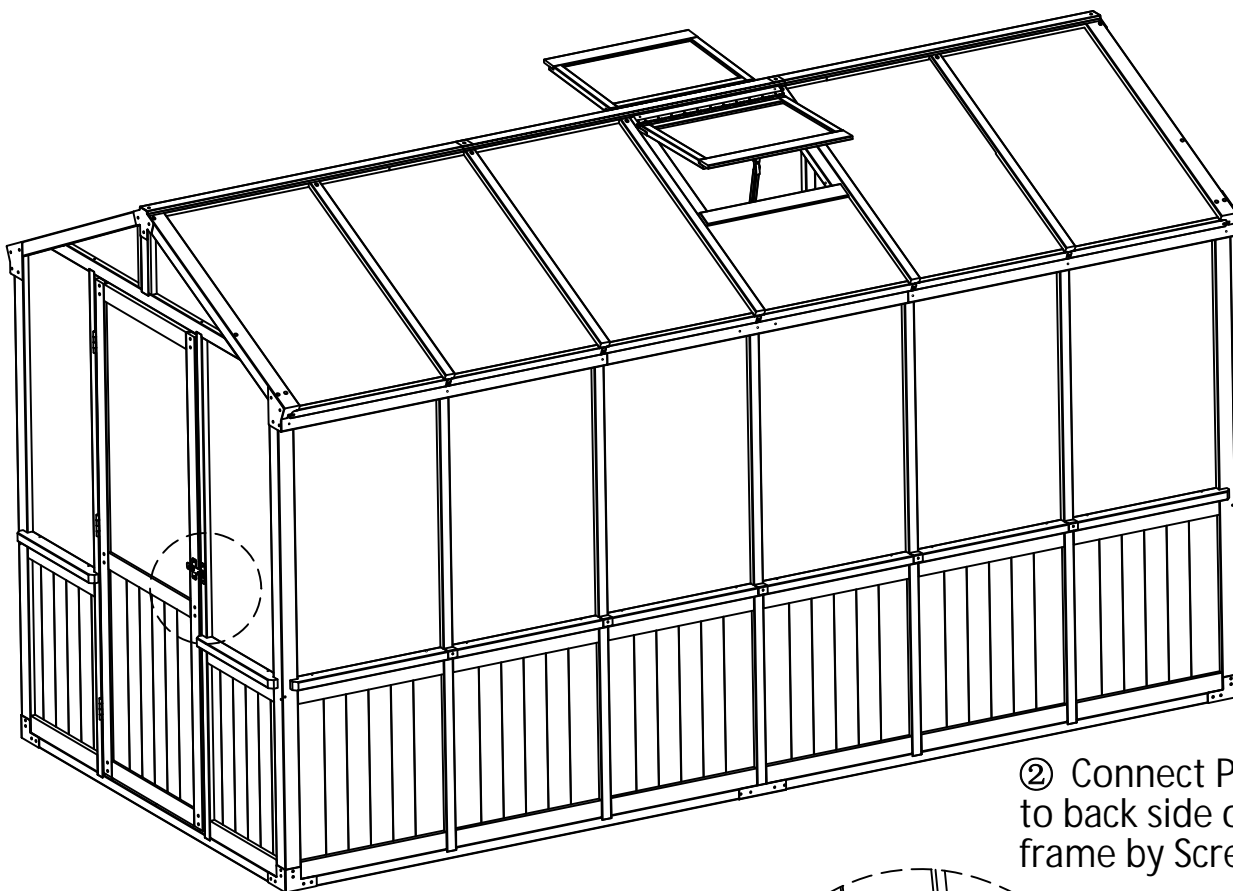


(H18) 1X



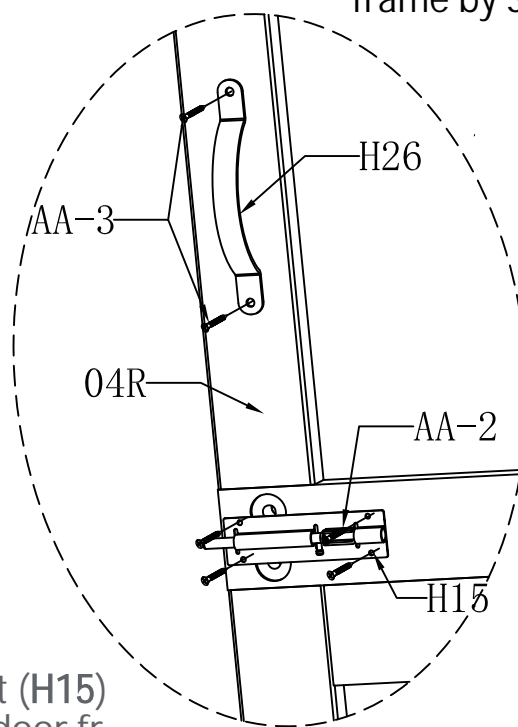
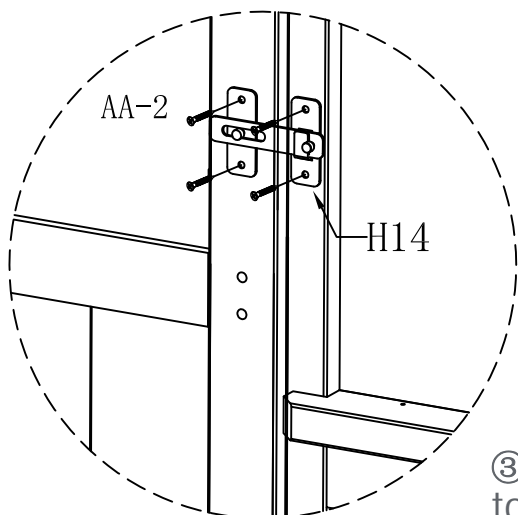
M3x20 (AA-2) 4X

STEP. 60



② Connect Part (H26) to back side of door frame by Screw (AA-3).

Connect Part (H14) to front side of door frame by Screw (AA-2).



③ Connect Part (H15) to back side of door frame by Screw (AA-2).



(H14) 1X



(H15) 1X



(H26) 1X

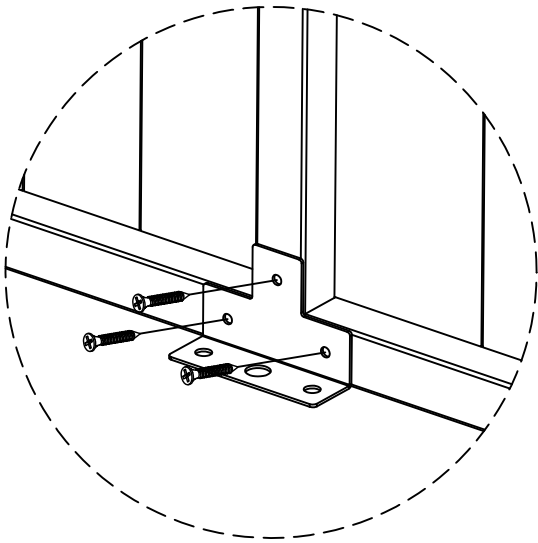
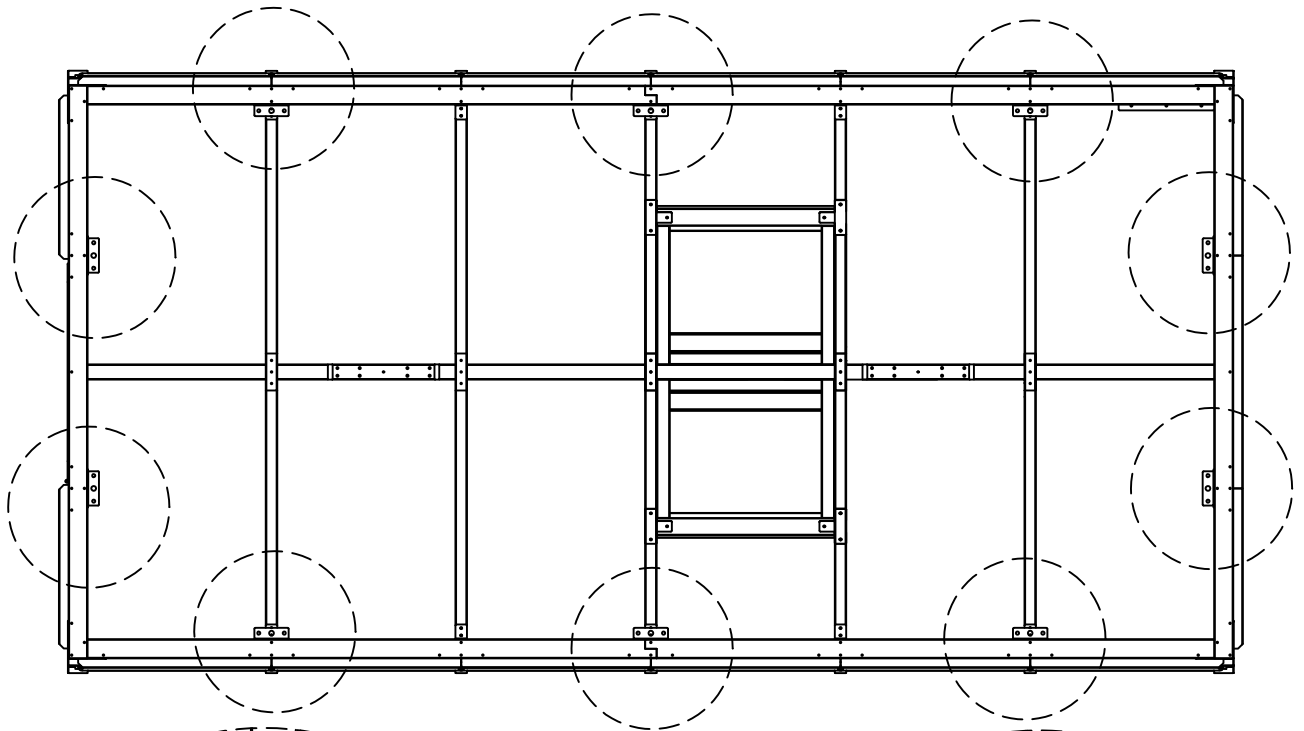


M3x20 (AA-2) 8X

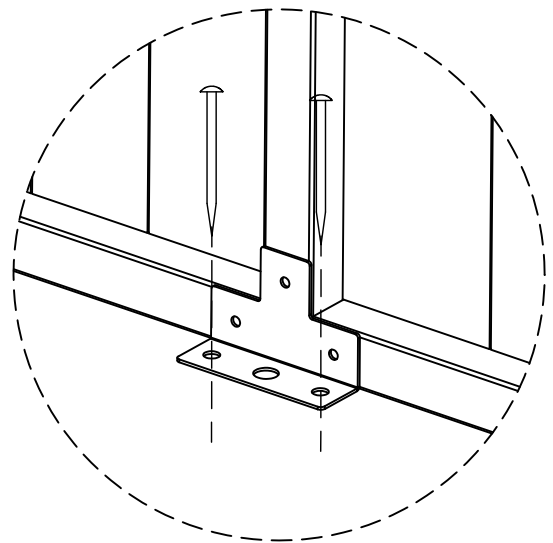


M3x18 (AA-3) 2X

STEP. 61



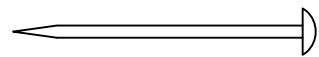
Connect Part (H1) to the frame by Screw (BB-2).



* If place the greenhouse on the grass lawn ground, please only use the Screw (UU) to fix. (If not, please see the next step).



H1 10X

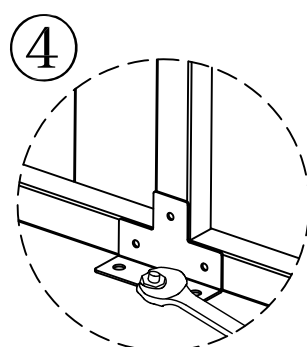
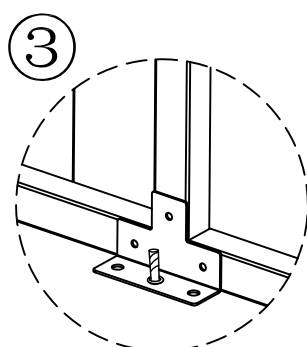
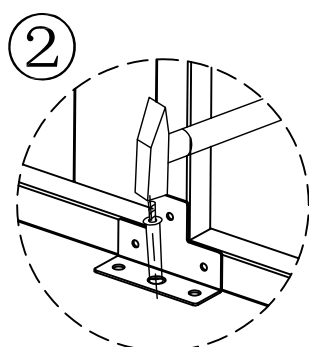
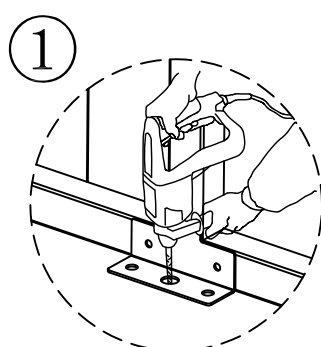
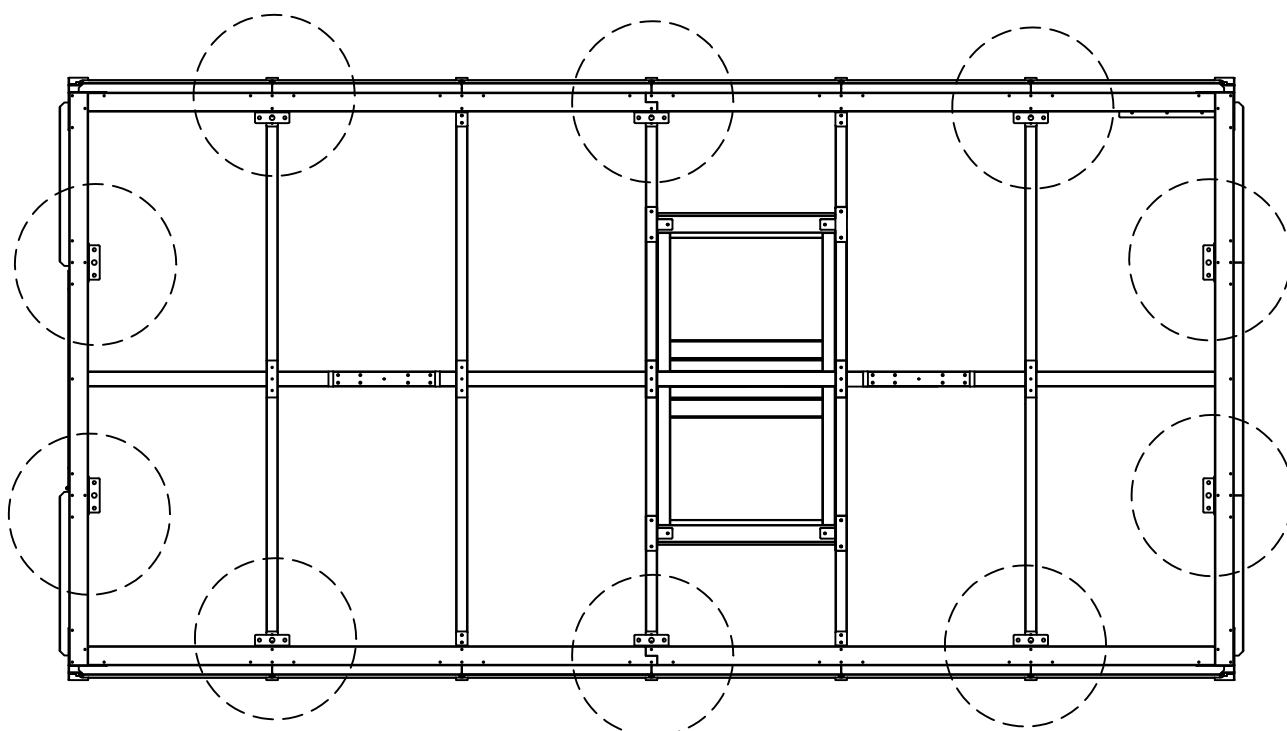


ϕ 6x200 UU 20X

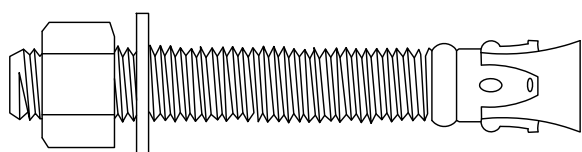


M4x25 BB-2 30X

STEP. 62



* If place the greenhouse on the concrete floors and decks, please only use the Screw (QQ) to fix.



M10x80mm

QQ

10X