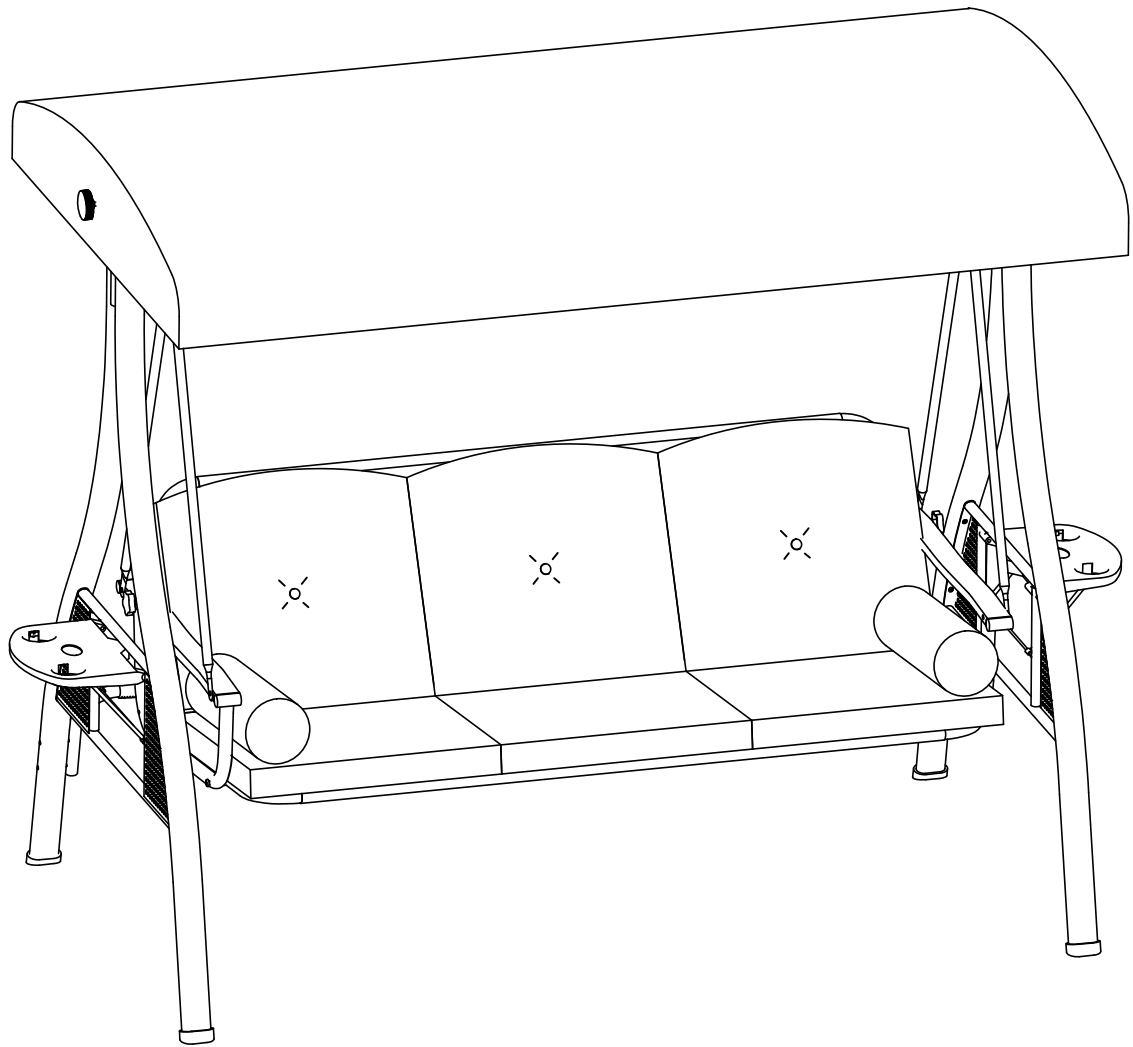


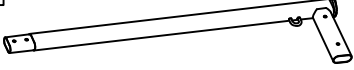

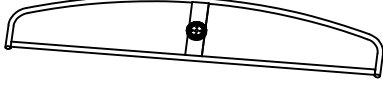




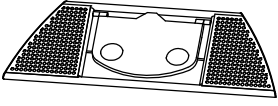

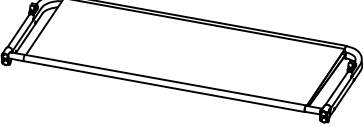
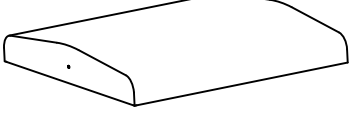
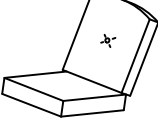
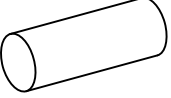

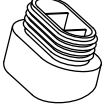




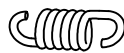



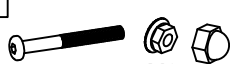



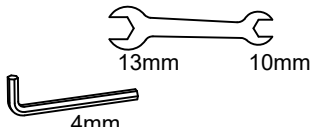
Installation instructions



Parts List

<p>A</p> 	<p>B</p> 		
2PCS		2PCS	
<p>C</p> 	<p>C1</p> 	<p>D</p> 	
1PC	1PC	2PCS	
<p>E</p> 	<p>E1</p> 	<p>F</p> 	
1PC	1PC	1PC	
<p>F1</p> 	<p>G</p> 	<p>H</p> 	
1PC	2PCS	4PCS	
<p>I</p> 	<p>J</p> 	<p>K</p> 	
1PC	1PC	3PCS	
<p>L</p> 	<p>M</p> 	<p>N</p> 	
2PCS	2PCS	4PCS	

Hardware List

<p>O</p> 	<p>P</p> 	<p>Q</p> 	<p>R</p>  <p>M6*20</p>
<p>4PCS</p>	<p>2PCS</p>	<p>2PCS</p>	<p>8PCS</p>
<p>S</p>  <p>M6*32 M6</p>	<p>T</p>  <p>M6*37 M6</p>	<p>U</p>  <p>M6*95 M6</p>	<p>V</p>  <p>M8*100 M8</p>
<p>2PCS</p>	<p>2PCS</p>	<p>4PCS</p>	<p>4PCS</p>
<p>W</p>  <p>M8*65 M8</p>	<p>X</p>  <p>M8*40 M8</p>	 <p>13mm 10mm 4mm</p>	
<p>8PCS</p>	<p>2PCS</p>		

Step 1



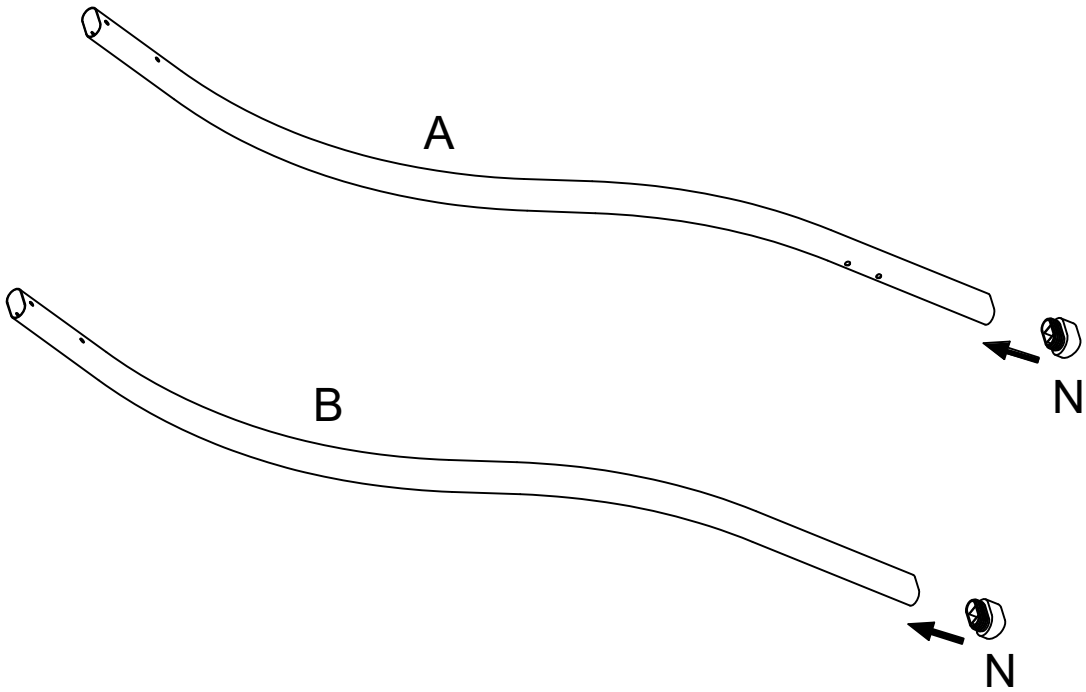
A x2



B x2



N x4



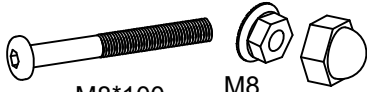
Step 2



C x1



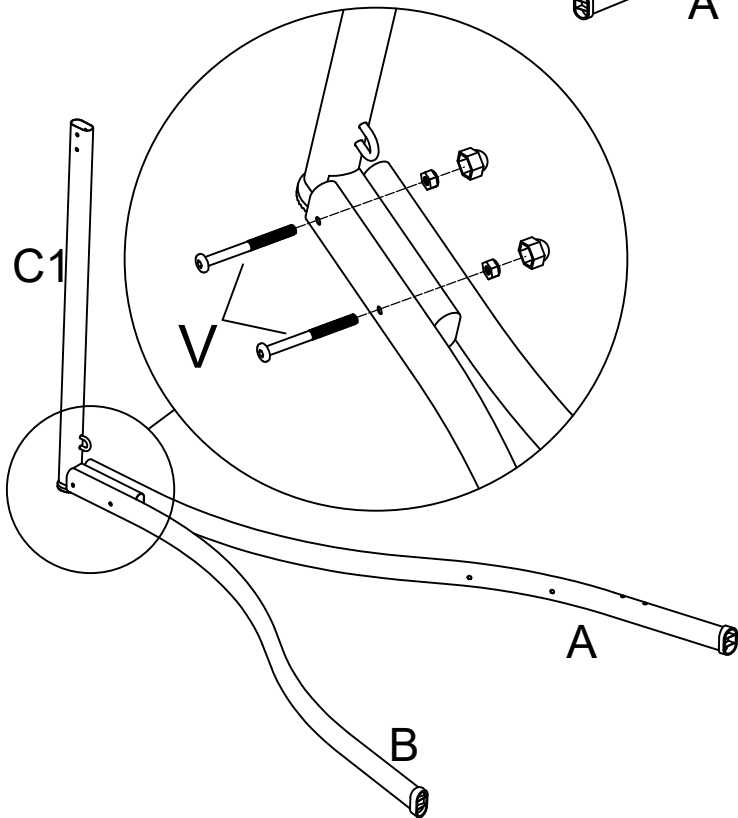
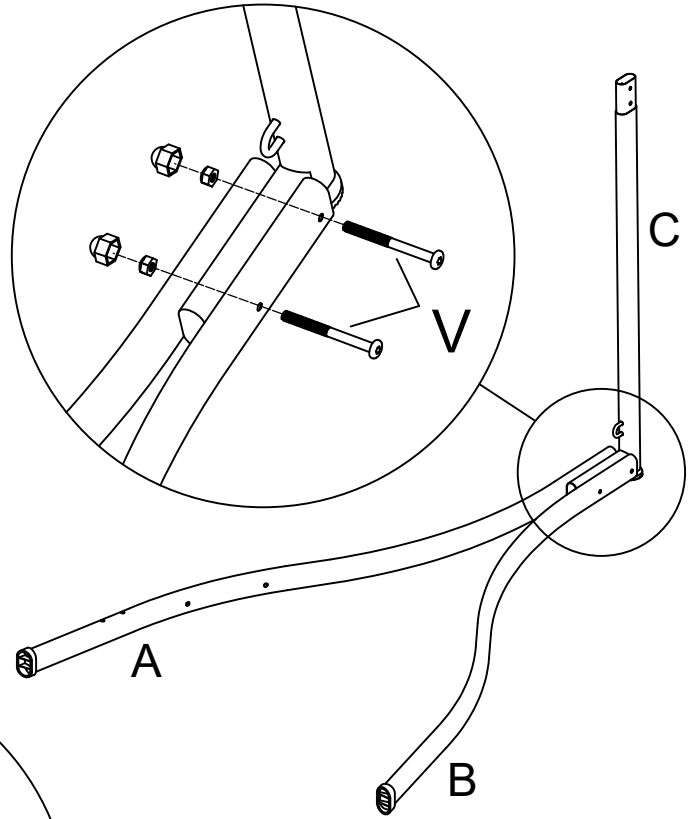
C1 x1



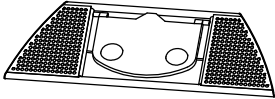
M8*100

M8

V x4



Step 3

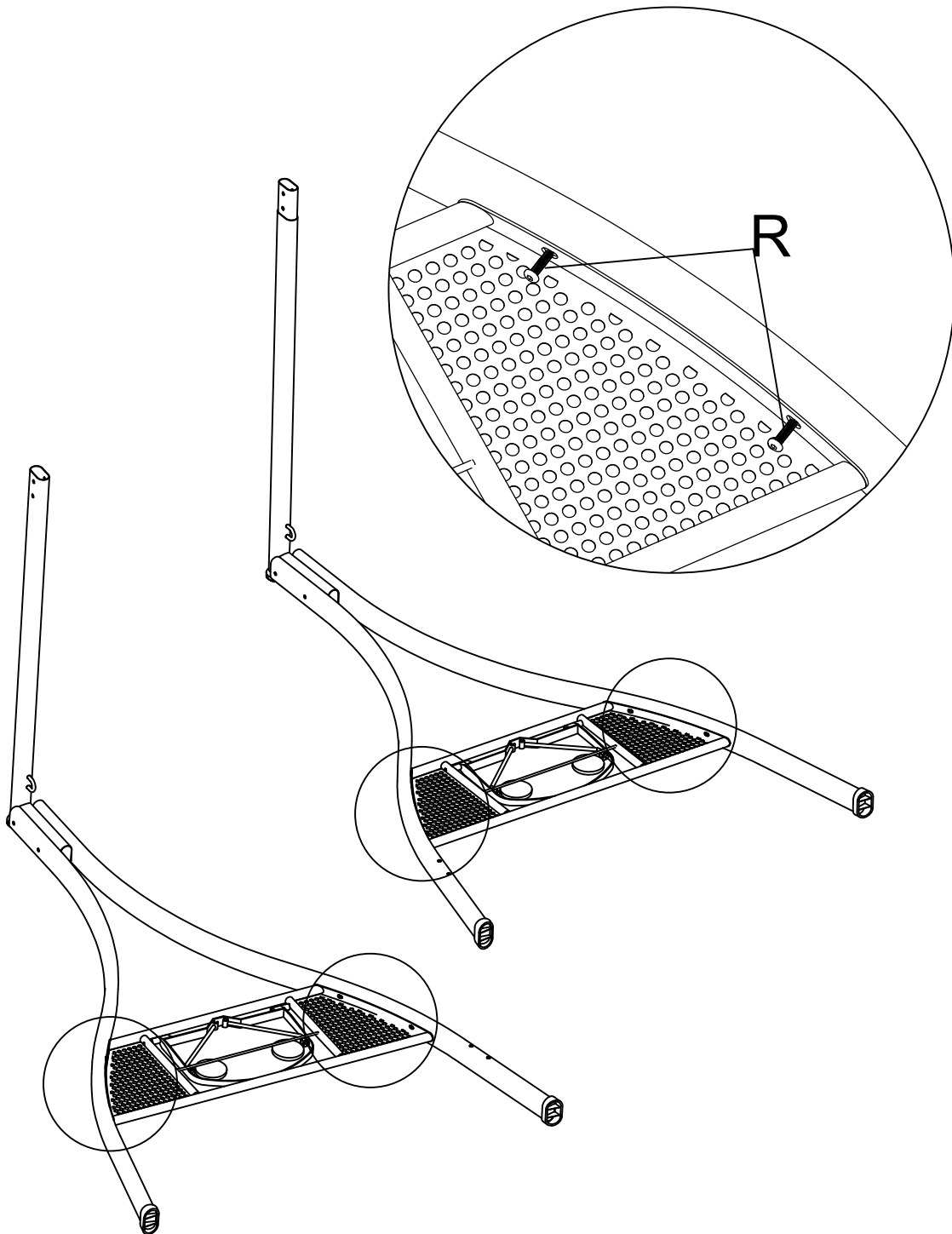


G x2



M6*20

R x8



Step 4



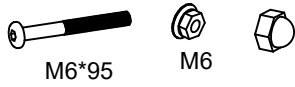
F x1



F1 x1



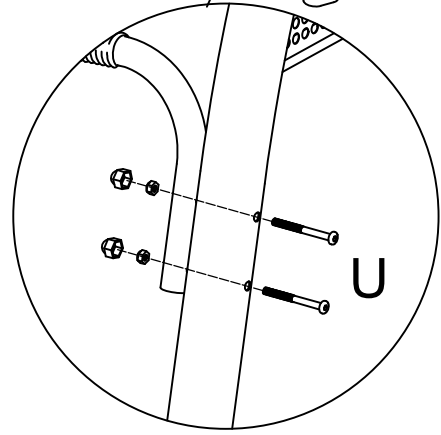
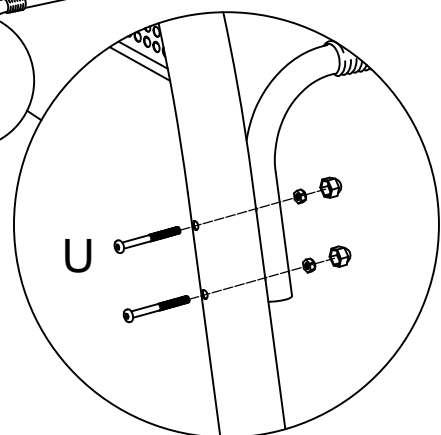
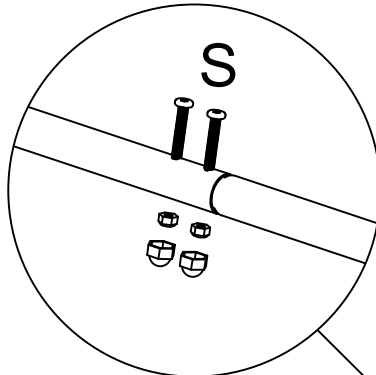
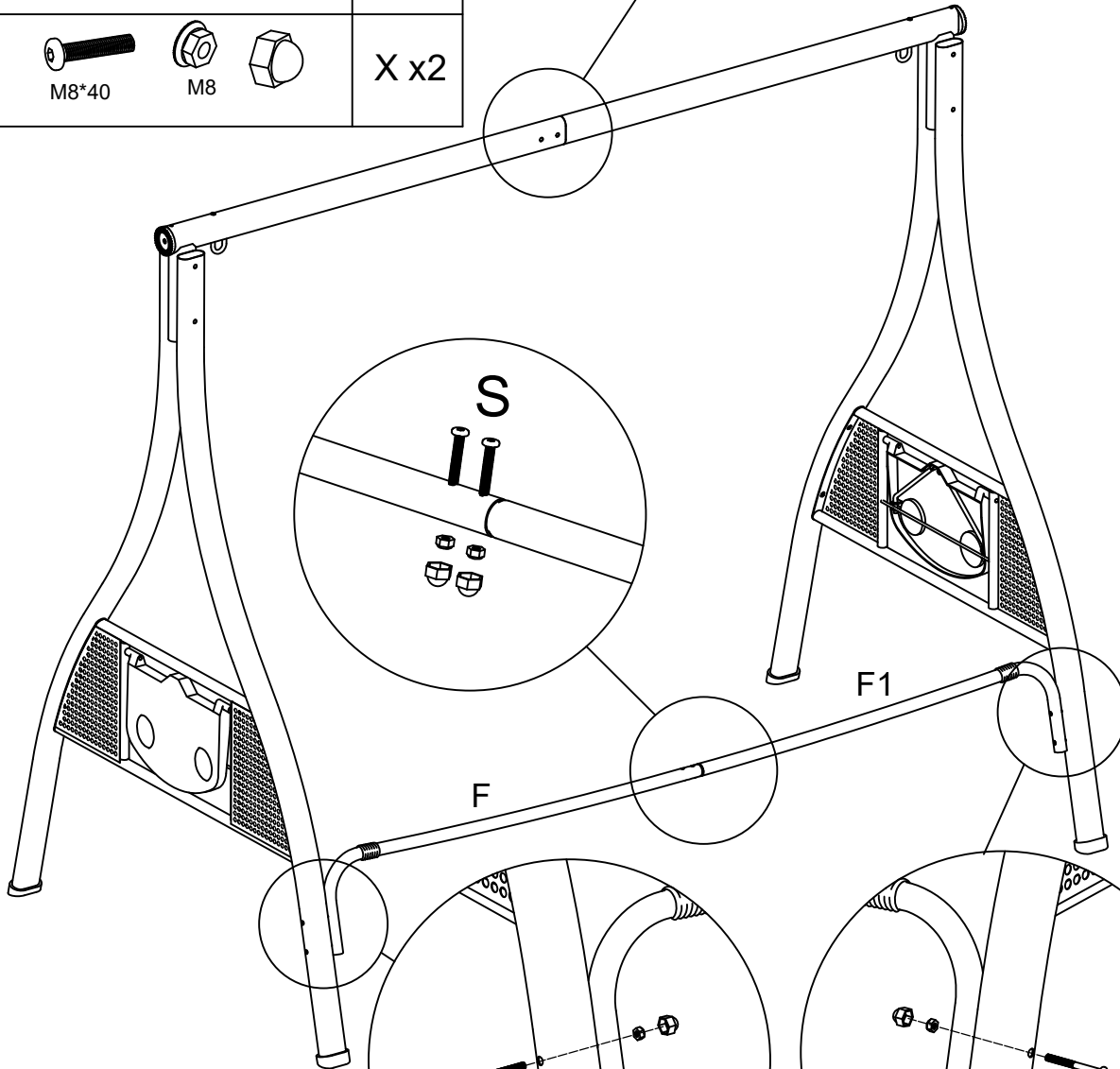
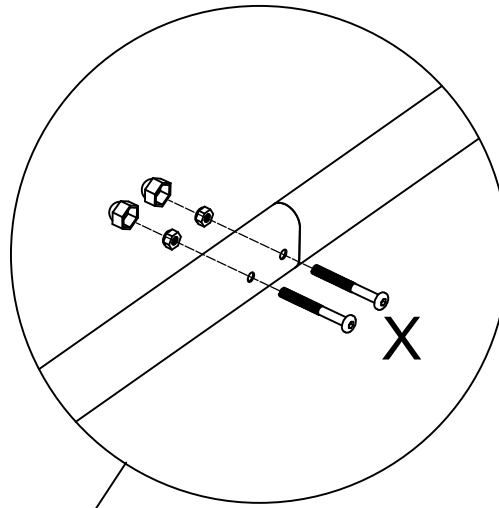
S x2



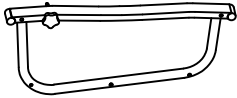
U x4



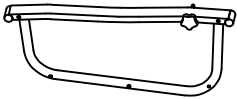
X x2



Step 5



E x1



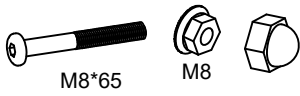
E1 x1



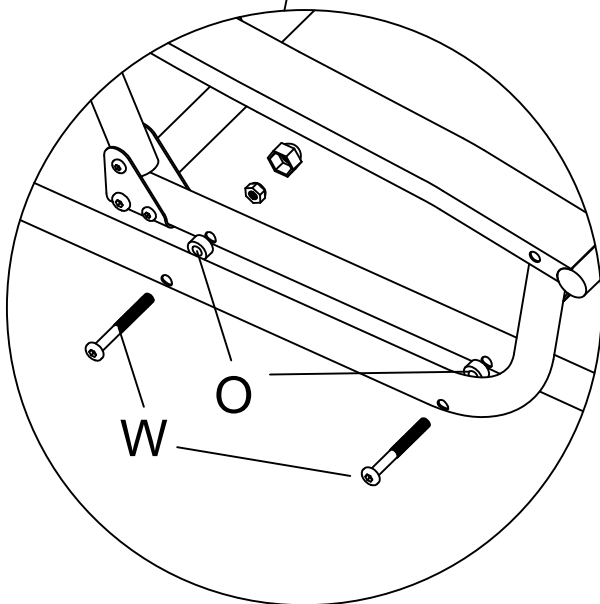
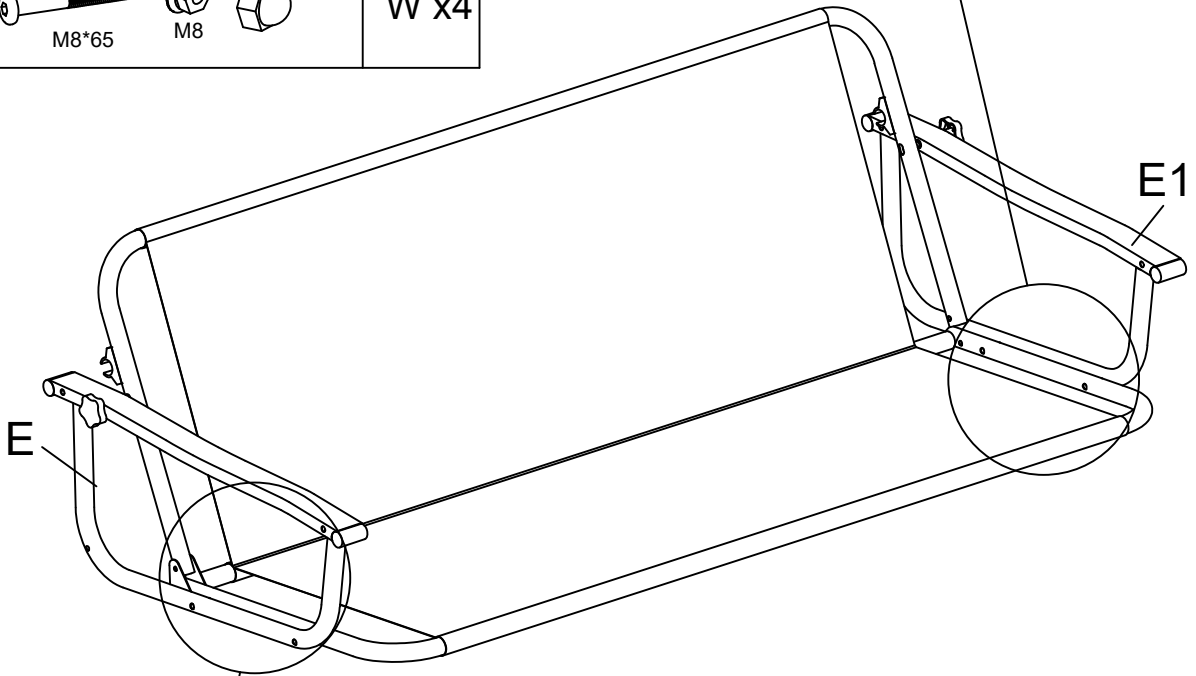
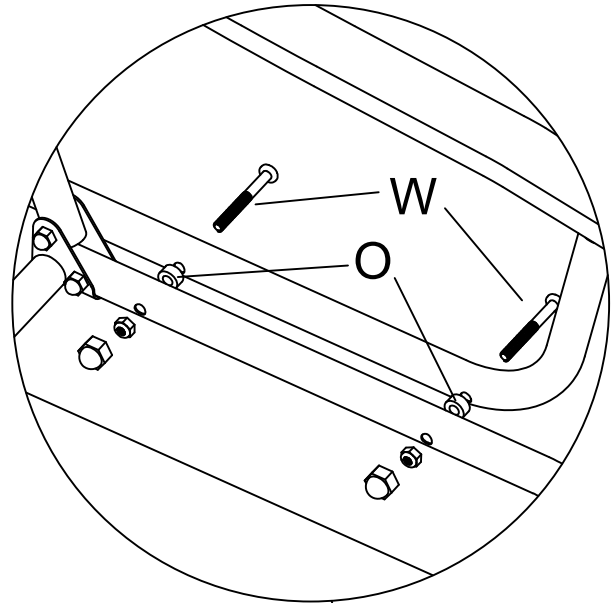
I x1



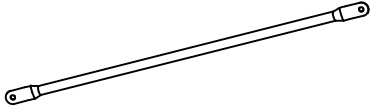
O x4



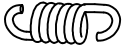
W x4



Step 6



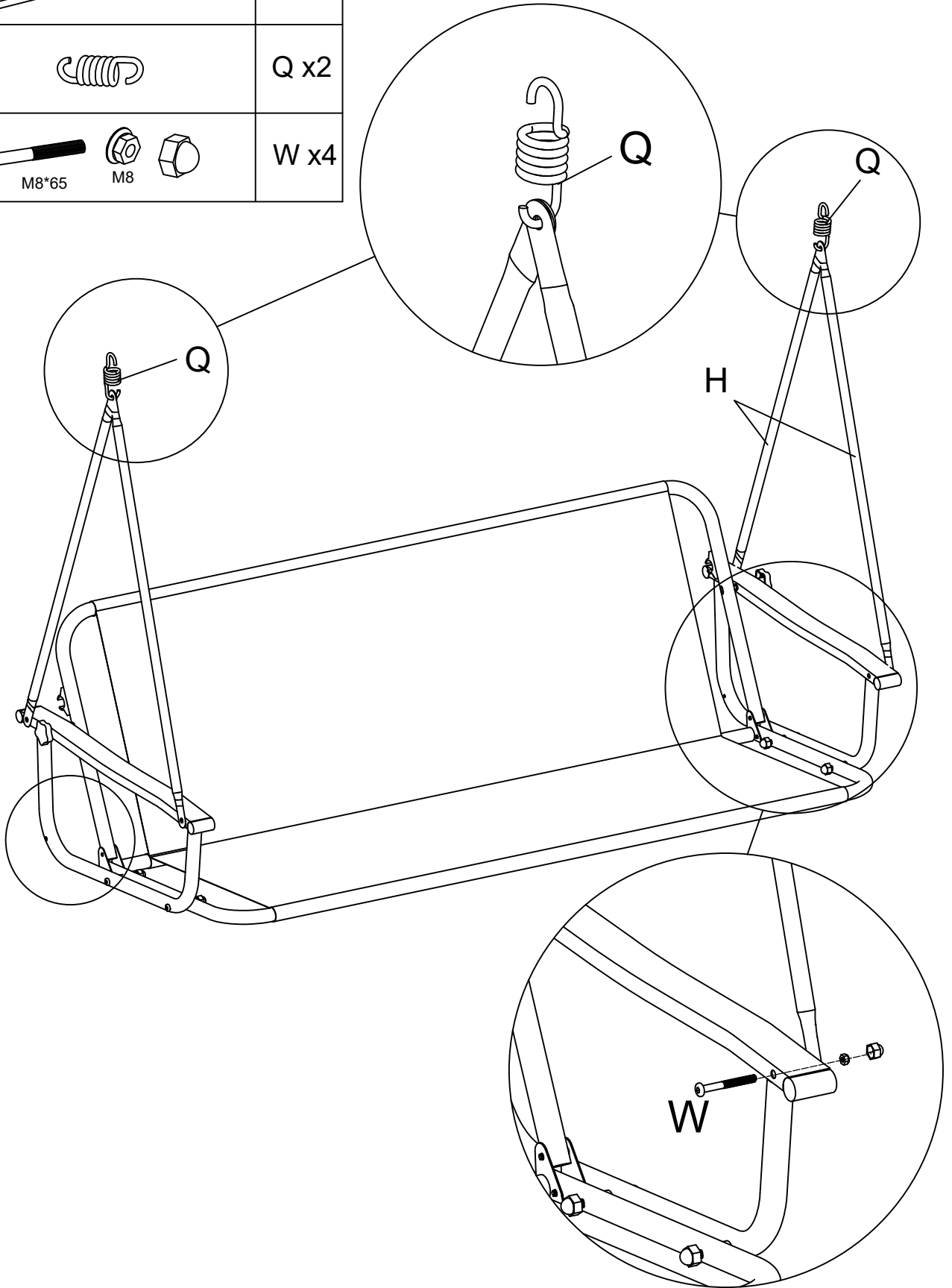
H x4



Q x2



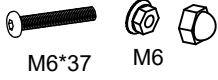
W x4



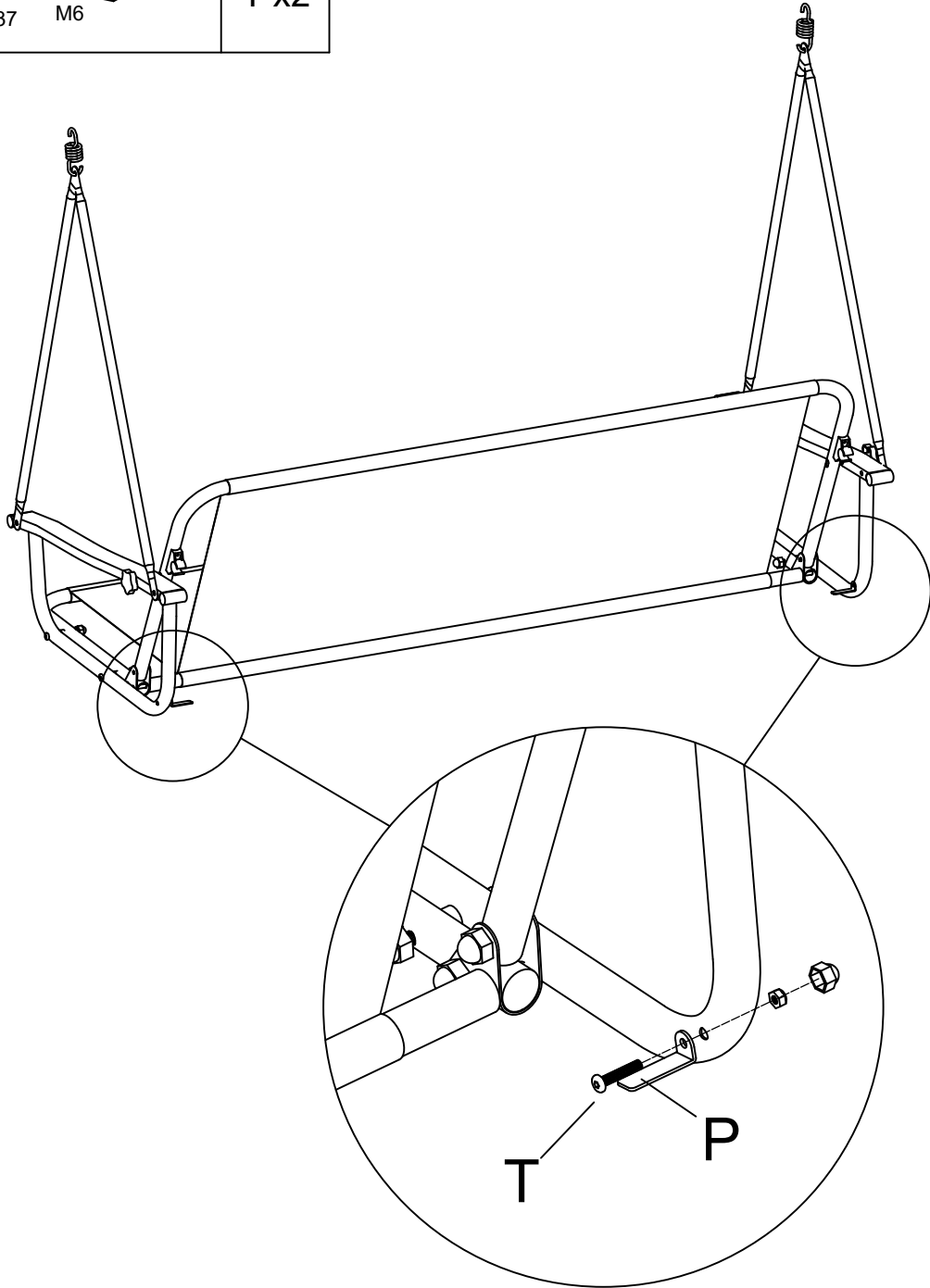
Step 7



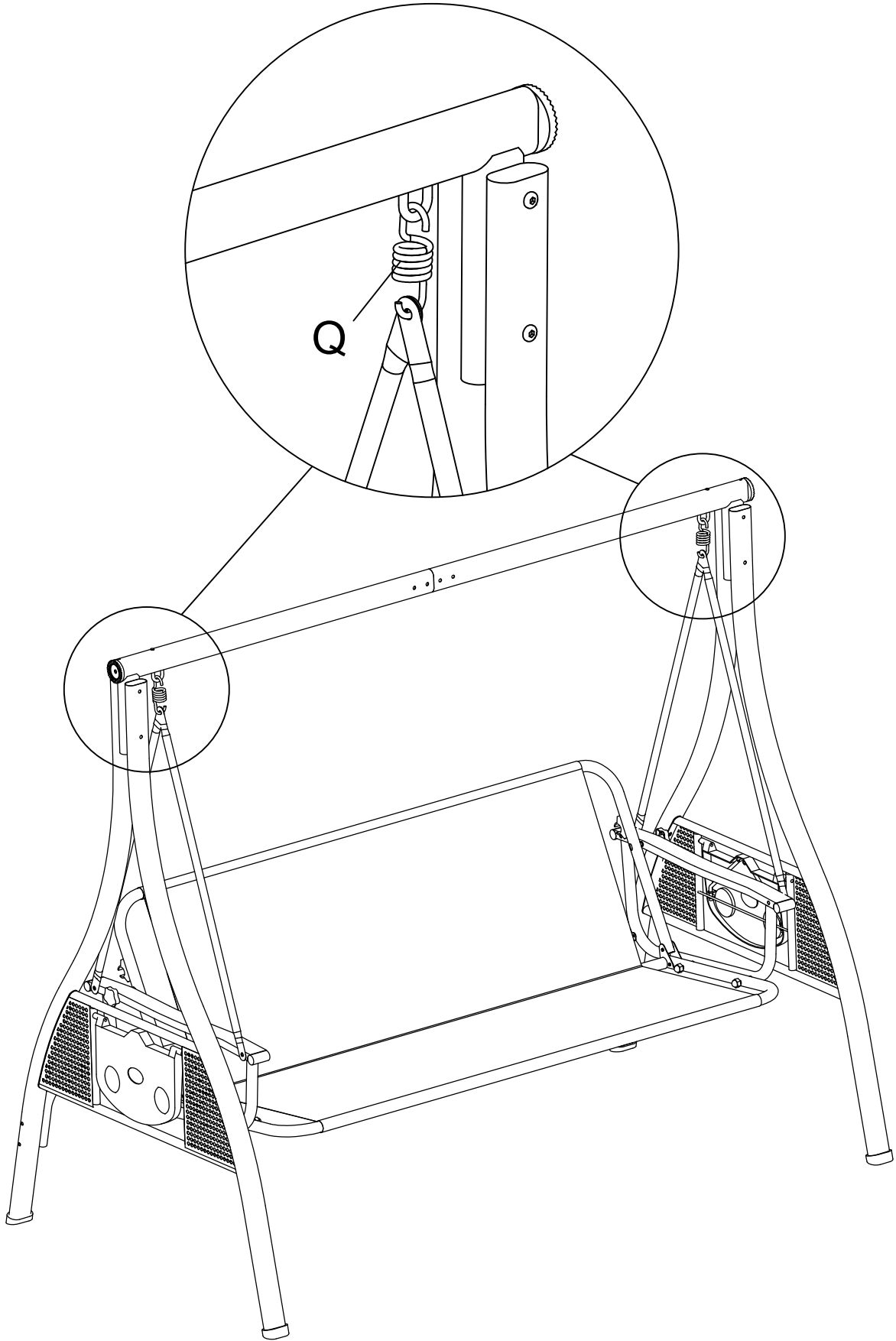
P x2



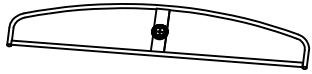
T x2



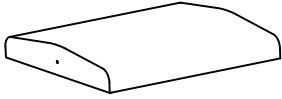
Step 8



Step 9



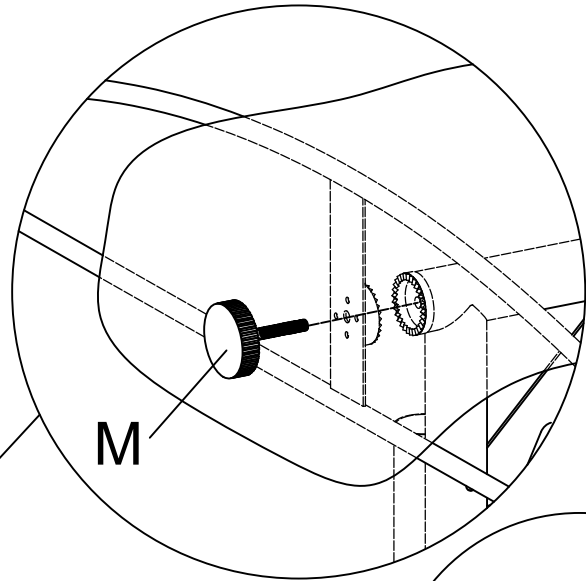
D x2



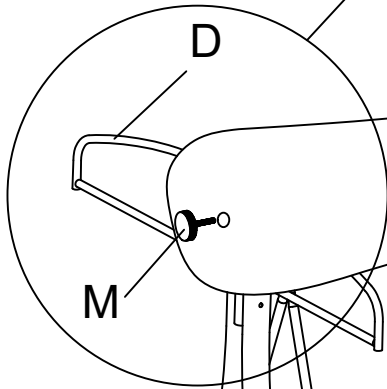
J x1



M x2



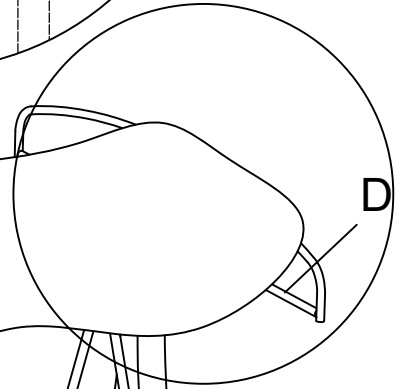
M



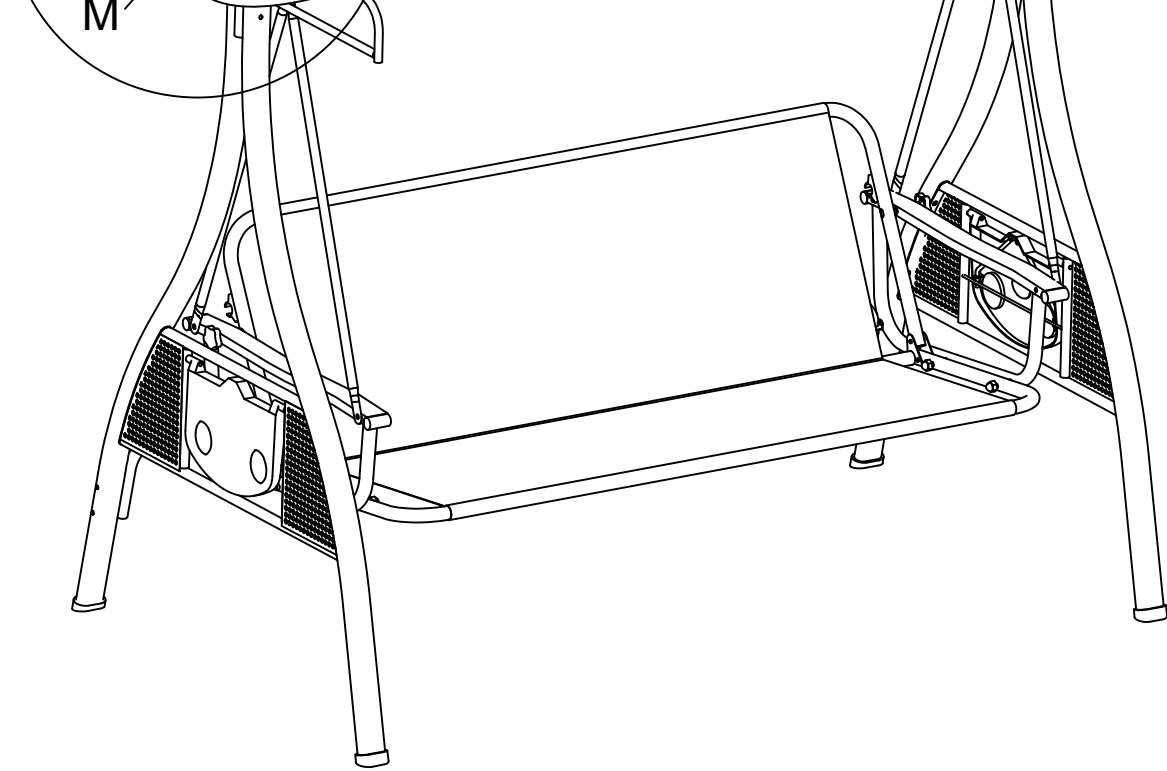
D

M

J



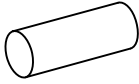
D



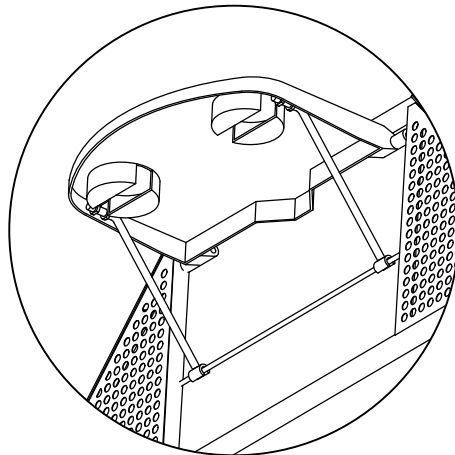
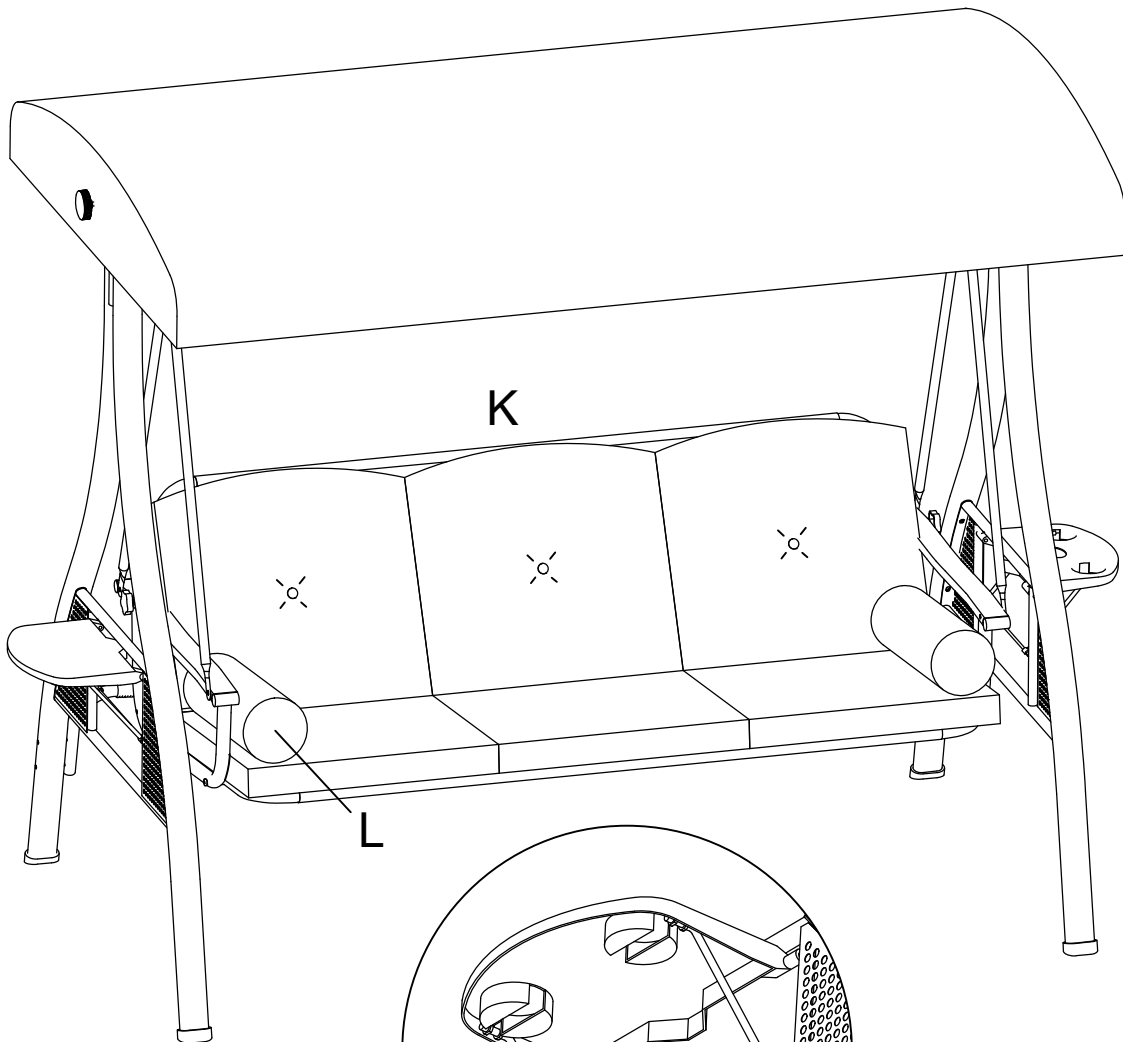
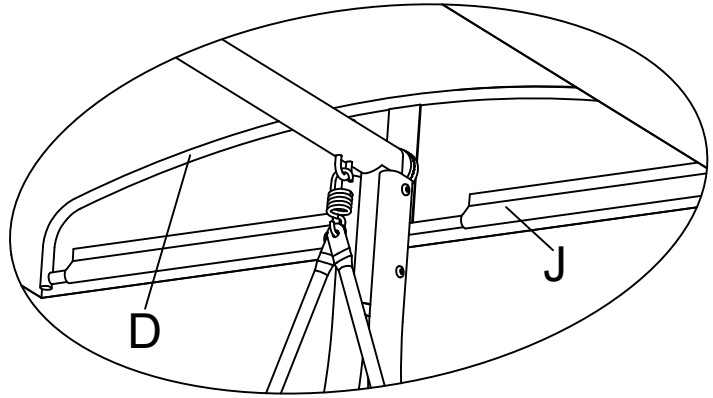
Step 10



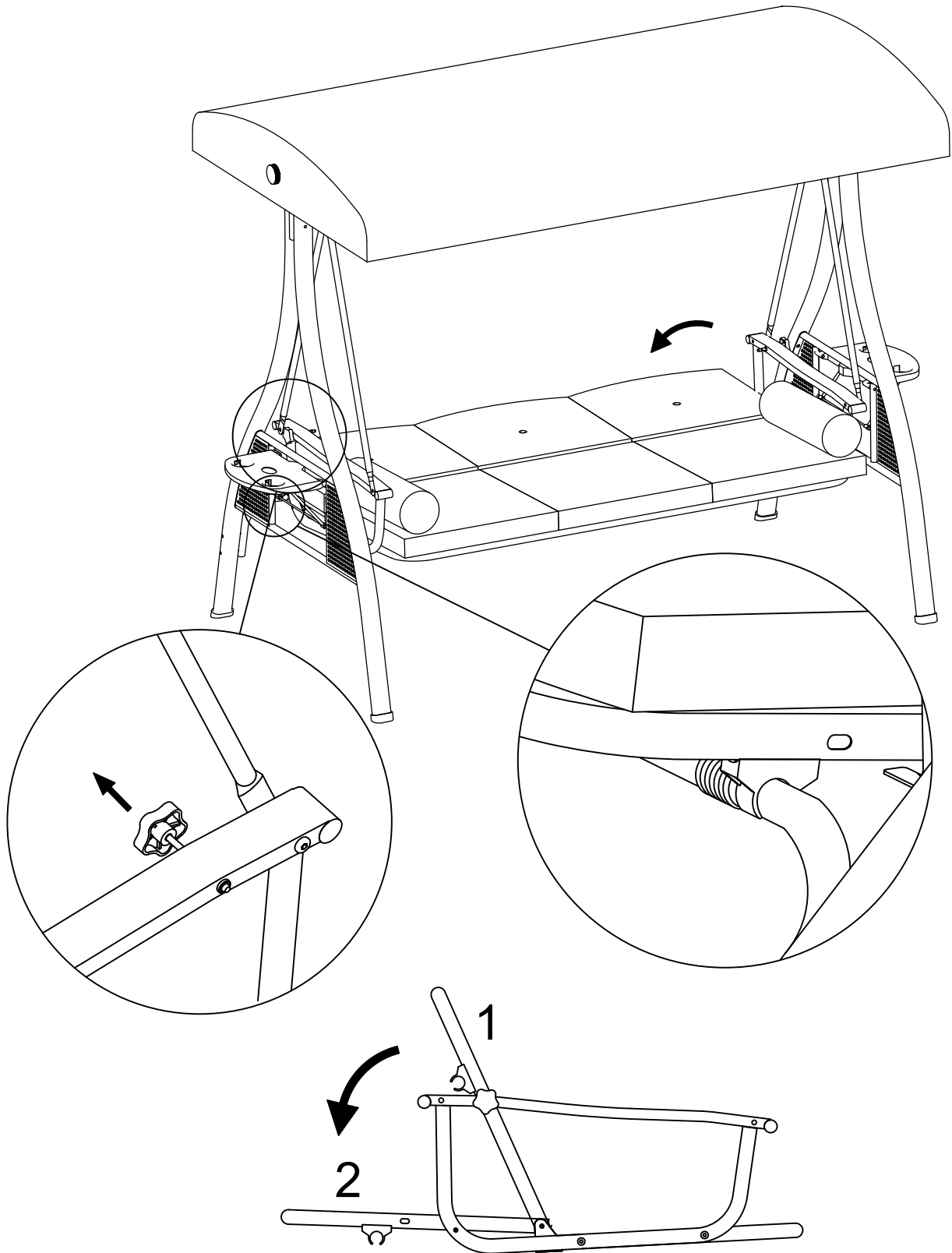
K x3



L x2



Step 11



EROMMY PRODUCT INSTRUCTION

REMEMBER

EROMMY isn't responsible for replacing parts lost or damaged during assembly. If you have issues, contact us instead of returning the unit.

IMPORTANT

Finalize site preparation and foundation construction before unpacking. Remove all parts from the packaging and check the right count and type of pieces before assembling.

! CAUTION

- Consult local authorities to ensure you have the required permits and are aware of any applicable local building regulations.
- It's crucial to review the site preparation information in the manual beforehand to get everything ready.
- Read instructions thoroughly before starting assembly. Follow the steps carefully because the kit contains parts that might be damaged if constructed incorrectly.
- Please handle the kit with caution since some parts have sharp metal edges.
- Avoid working in severe winds or extreme cold and wear gloves, eye protection, and long sleeves during assembly or maintenance.
- When filling it, store heavier items near the bottom. The product isn't intended for children to play in, and don't stand, sit, or store anything on the roof.

BRAND STORY

With the ideology of “closer to life” in our mind, we are committed to bring you the most refined and trustworthy products that fits your need. Our vision is to empower every customer to stay close to nature and ultimately transform their lifestyles.