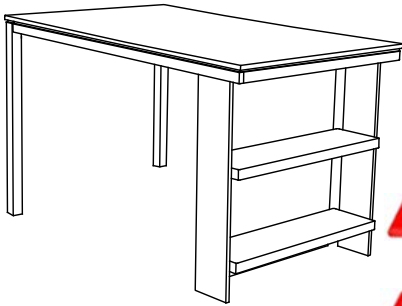
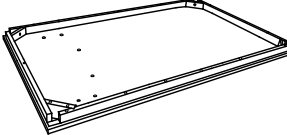
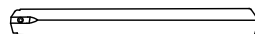
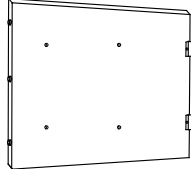

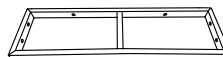








# ASSEMBLY INSTRUCTIONS

Thank you for purchasing the product. Please take time to read and follow the instructions below. Check that you have all parts and hardware before assembly. Parts apparently missing are often found in the packing materials. If you do not have all the parts listed, have your dealer contact us and they will be sent to you immediately.

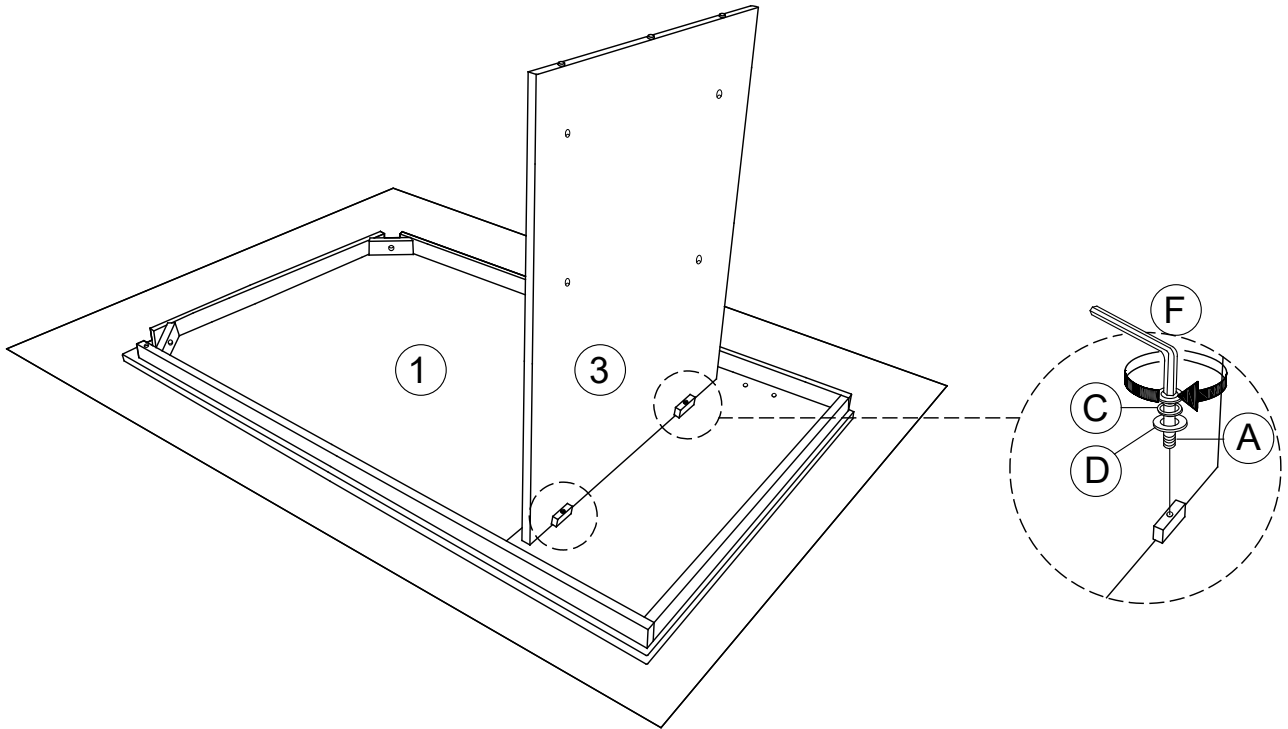


It is recommended to install protective pads under all legs and supports to avoid damage or scratches when placing furniture on a wood floor or other hard surface, and to limit indentation and prevent discoloration if placing on carpet.

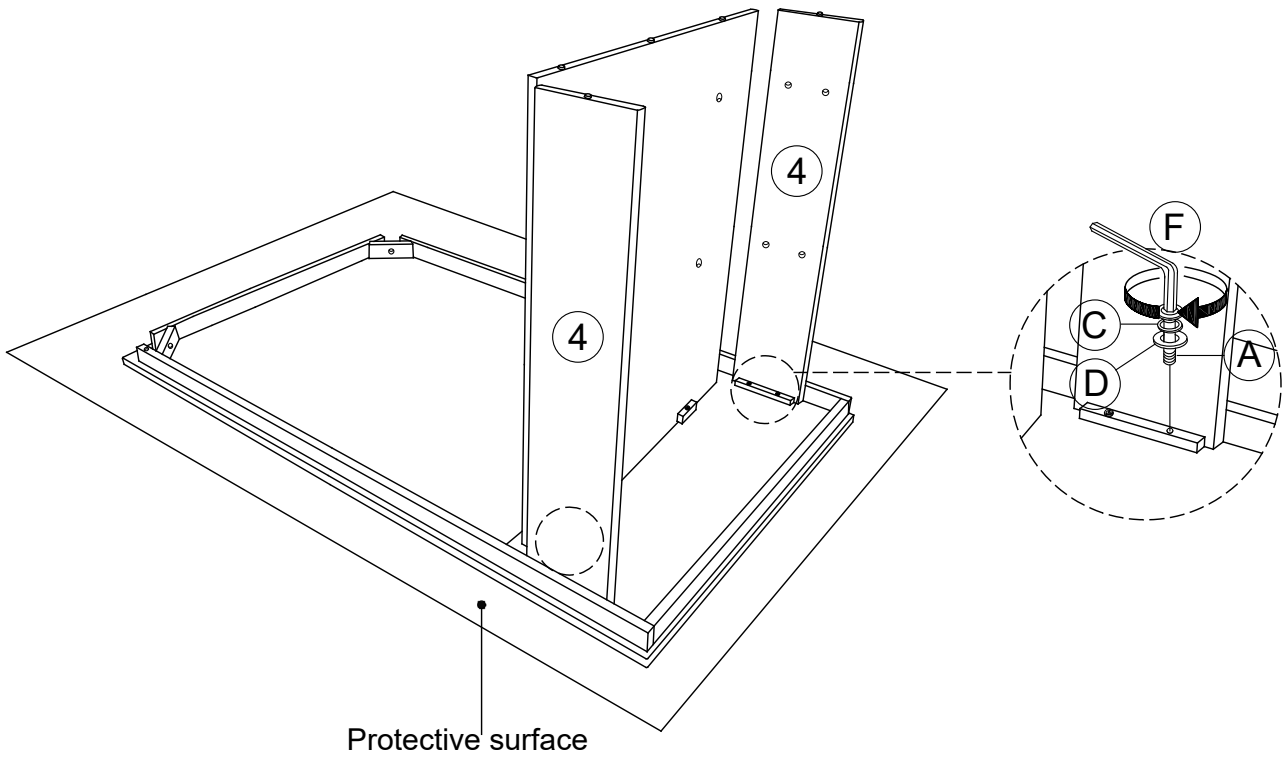
PARTS LIST			
No	Sketch	Description	Quantity
1		Table Top	1PC
2		Leg	2PCS
3		Back Panel	1PC
4		Side Panel	2PCS
5		Shelf	2PCS

HARDWARE LIST				
No	Description	Size	Sketch	Quantity
A	JCBC Bolt	M6X35mm		18PCS
B	Hex Bolt	5/16 X 75mm		4PCS
C	Spring Washer	M6X13mm		22PCS
D	Flat Washer	M6X18mm		22PCS
E	Wrench	12.8mm		1PC
F	Allen Key	M4		1PC

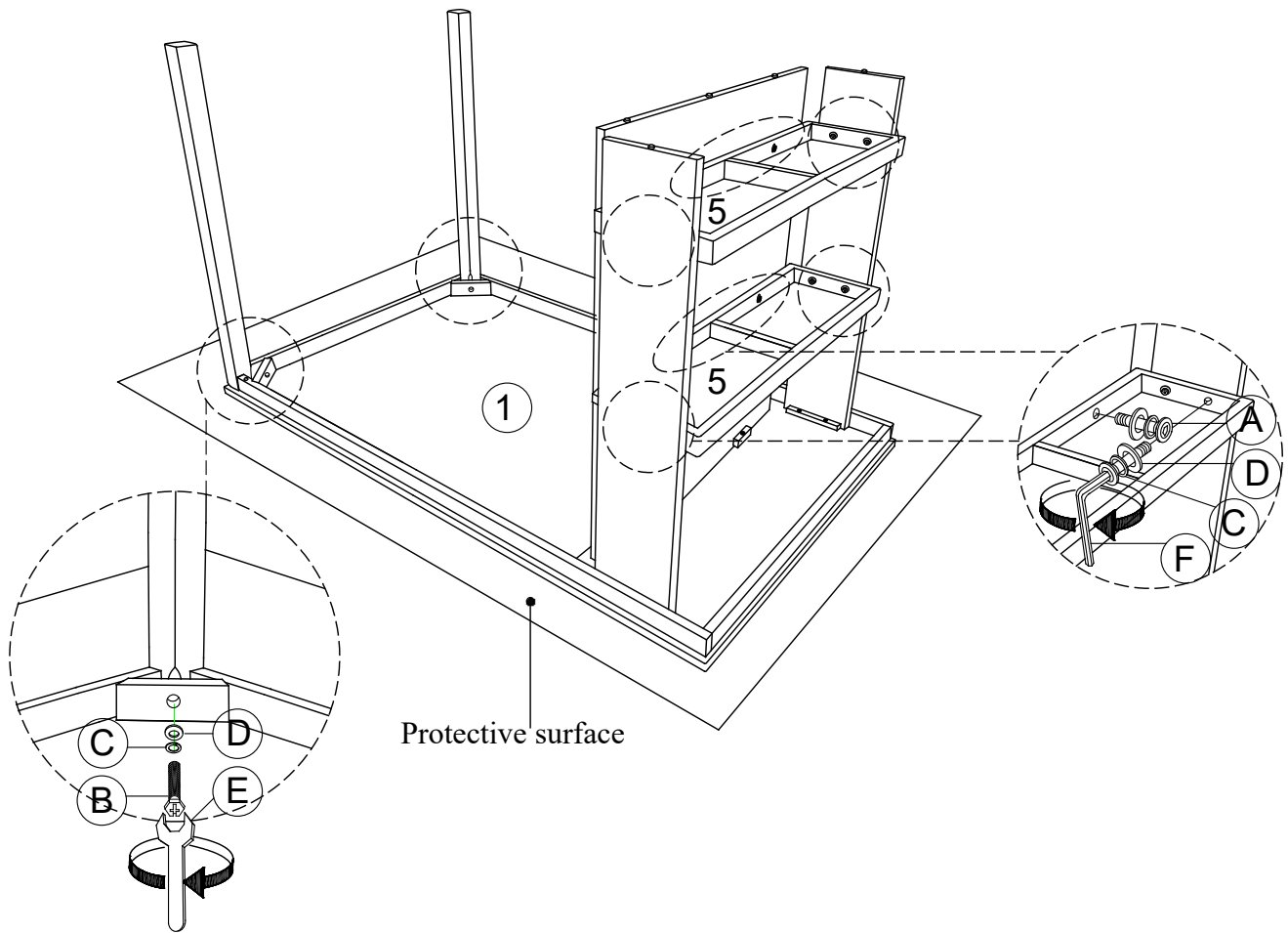
## STEP 1



## STEP 2



### STEP 3



### STEP 4 COMPLETED

