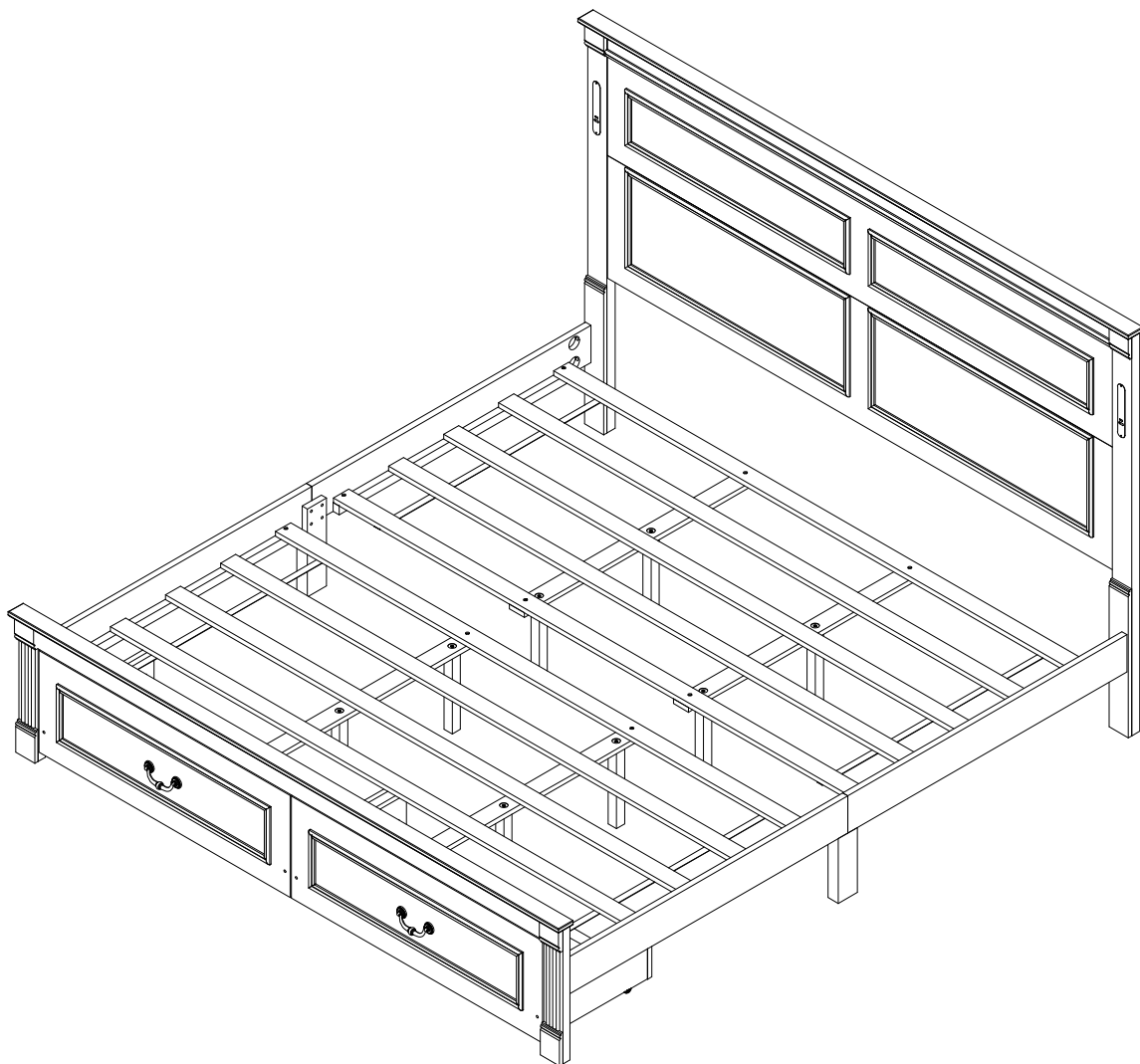
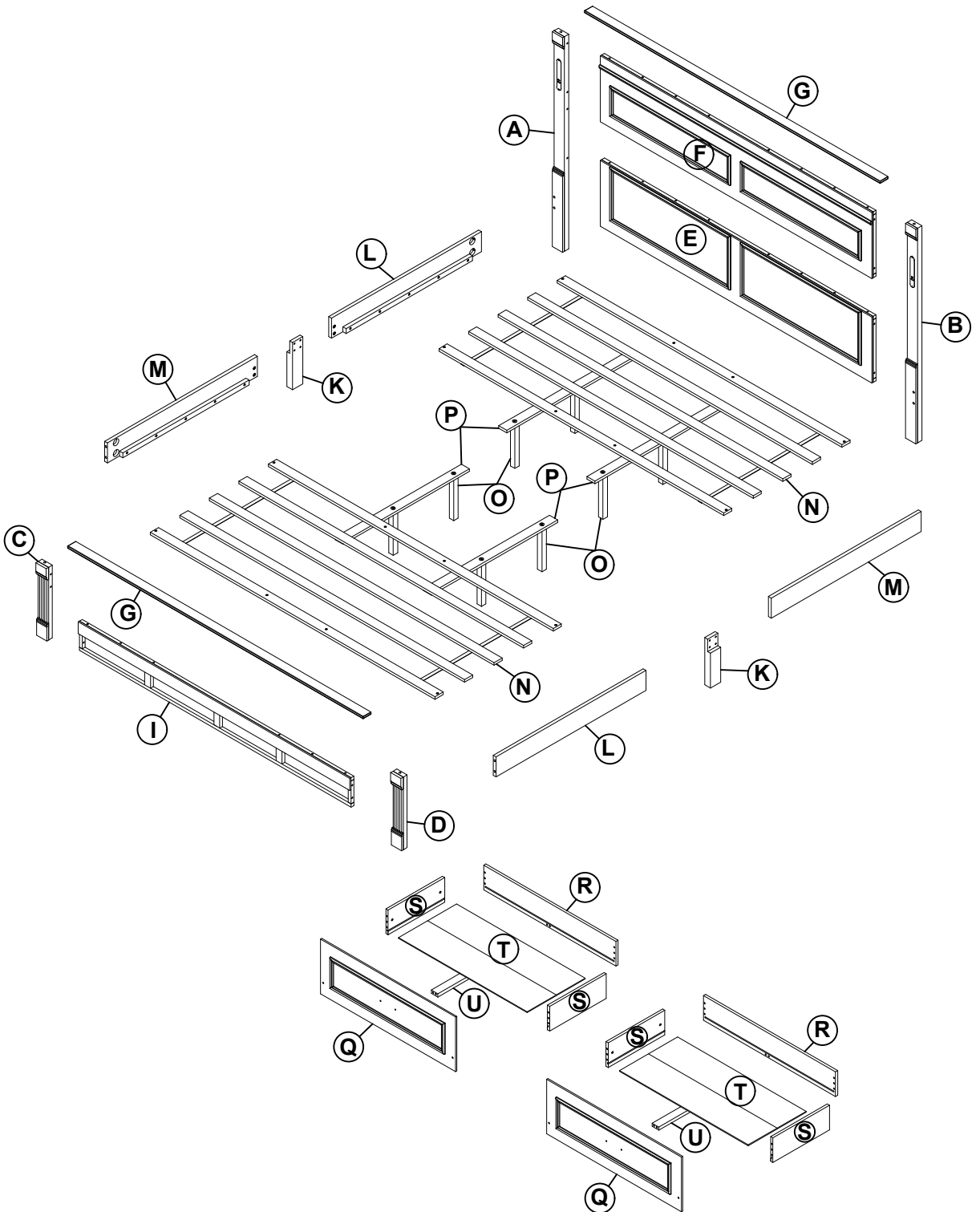


ASSEMBLY INSTRUCTIONS


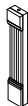
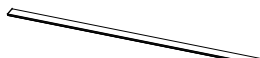

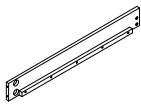
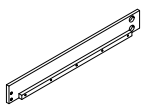
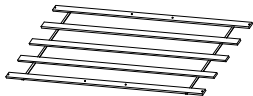
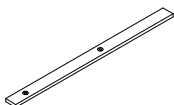
KING BED WITH STORAGE DRAWERS, 2 sets of USB+LED LIGHT





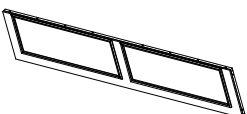
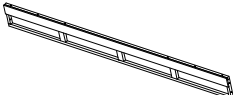





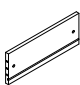
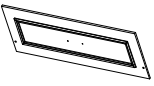
Detail View










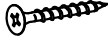
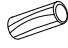
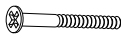




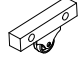

Part List : BOX1

| | | |
|---|---|--|
| <p>C</p>  <p>1PC</p> | <p>D</p>  <p>1PC</p> | <p>G</p>  <p>2PCS</p> |
| <p>K</p>  <p>2PCS</p> | <p>M</p>  <p>2PCS</p> | <p>L</p>  <p>2PCS</p> |
| | <p>N</p>  <p>2PCS</p> | <p>P</p>  <p>4PCS</p> |

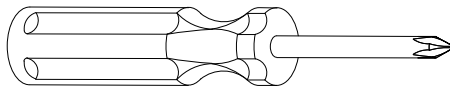
Part List : BOX2

| | | |
|---|---|--|
| <p>A</p>  <p>1PC</p> | <p>B</p>  <p>1PC</p> | <p>E</p>  <p>1PC</p> |
| <p>I</p>  <p>1PC</p> | <p>F</p>  <p>1PC</p> | <p>O</p>  <p>8PCS</p> |
| <p>U</p>  <p>2PCS</p> | <p>R</p>  <p>2PCS</p> | <p>T</p>  <p>4PCS</p> |
| <p>S</p>  <p>4PCS</p> | <p>Q</p>  <p>2PCS</p> | |

Hardware List: BOX1

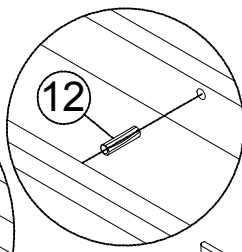
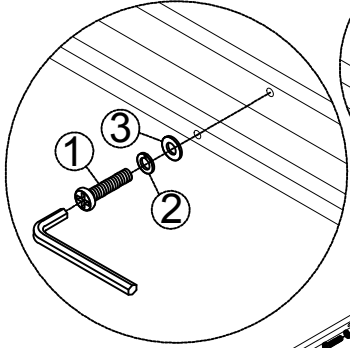
| | | |
|---|--|--|
| <p>1</p>  <p>(Ø13) x1/4"x35mm Hex-Head bolts (32pcs)</p> | <p>2</p>  <p>1/4"x13x1.5mm Hex-Head bolts (32pcs)</p> | <p>3</p>  <p>1/4"x19x1.5mm Hex-Head bolts (32pcs)</p> |
| <p>4</p>  <p>Ø5x16"x90mm BOLT (8pcs)</p> | <p>5</p>  <p>Ø5x16" CRESCENT WASHER (8pcs)</p> | <p>6</p>  <p>Ø5x16" NUT (8pcs)</p> |
| <p>7</p>  <p>WRENCH (1pc)</p> | <p>8</p>  <p>4x30mm Wood screws (32pcs)</p> | <p>9</p>  <p>Ø10x20mm Wooden dowel (8pcs)</p> |
| <p>10</p>  <p>(Ø13) x1/4"x60mm Hex-Head bolts (8pcs)</p> | <p>11</p>  <p>1/4"x15mm(9.5mm) Horizontal-Hole Nuts(8pcs)</p> | <p>12</p>  <p>Ø8x30mm Wooden dowel (34pcs)</p> |
| <p>13</p>  <p>142x59x27CC112MM mushroom hand in (2pcs)</p> | <p>14</p>  <p>Ø5/32"x15mm Pan head (4pcs)</p> | <p>15</p>  <p>100x19x19mm Wooden dowel (8pcs)</p> |
| | <p>16</p>  <p>(1/4") 4.5x58mm Allen key (1pc)</p> | |

ASSEMBLY TOOLS REQUIRED (NOT INCLUDED)

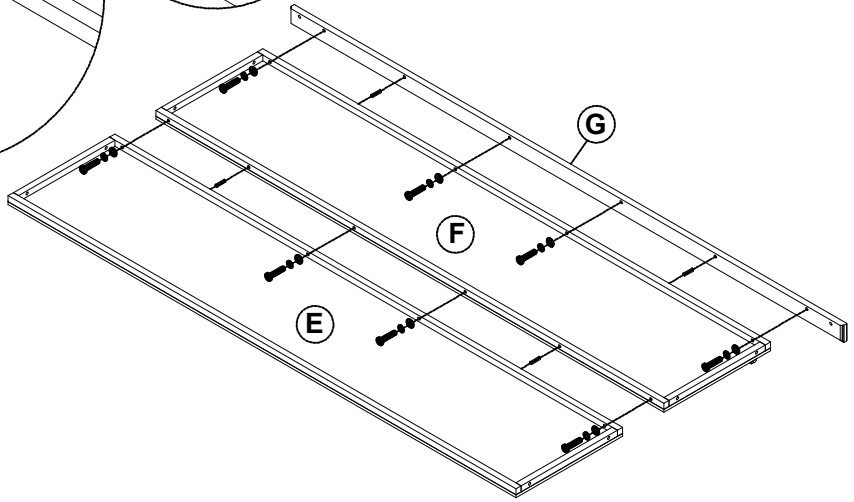


PLEASE BE CAREFUL DO NOT DAMAGE THE HOLE POSITION WHEN YOU USE POWER TOOLS !

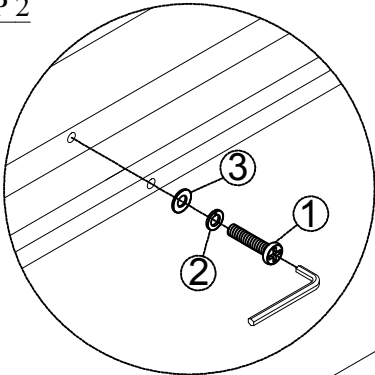
STEP 1



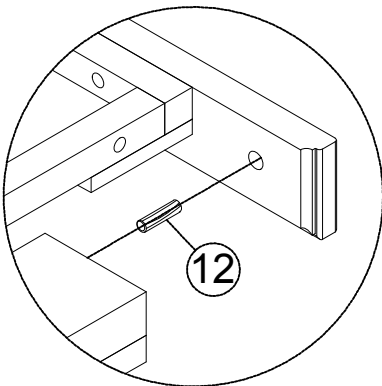
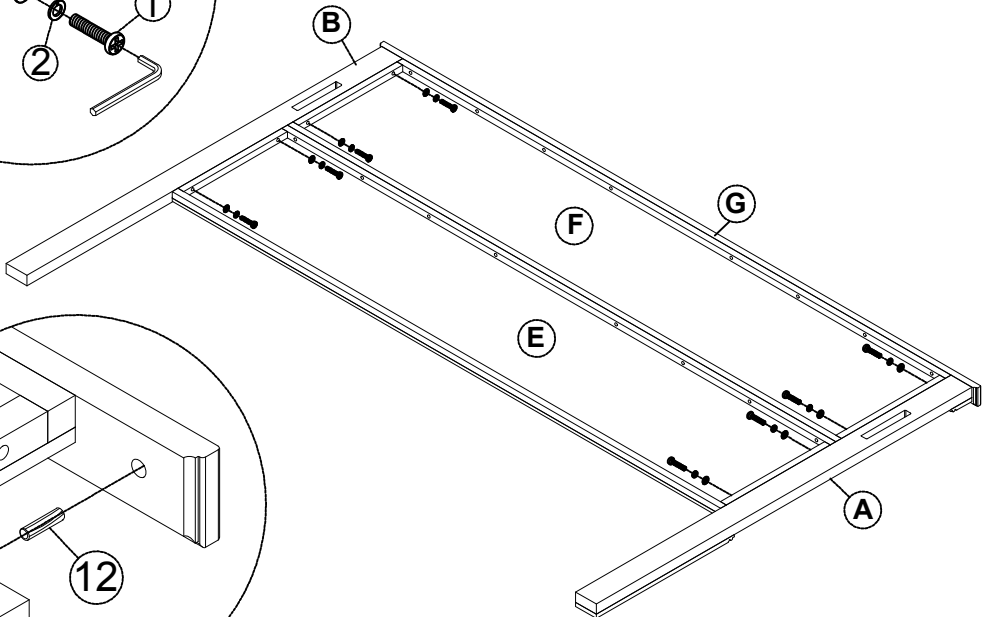
| | | | |
|--------|--------|--------|--------|
| 1 | 2 | 3 | 12 |
| | | | |
| (8pcs) | (8pcs) | (8pcs) | (4pcs) |







STEP 2

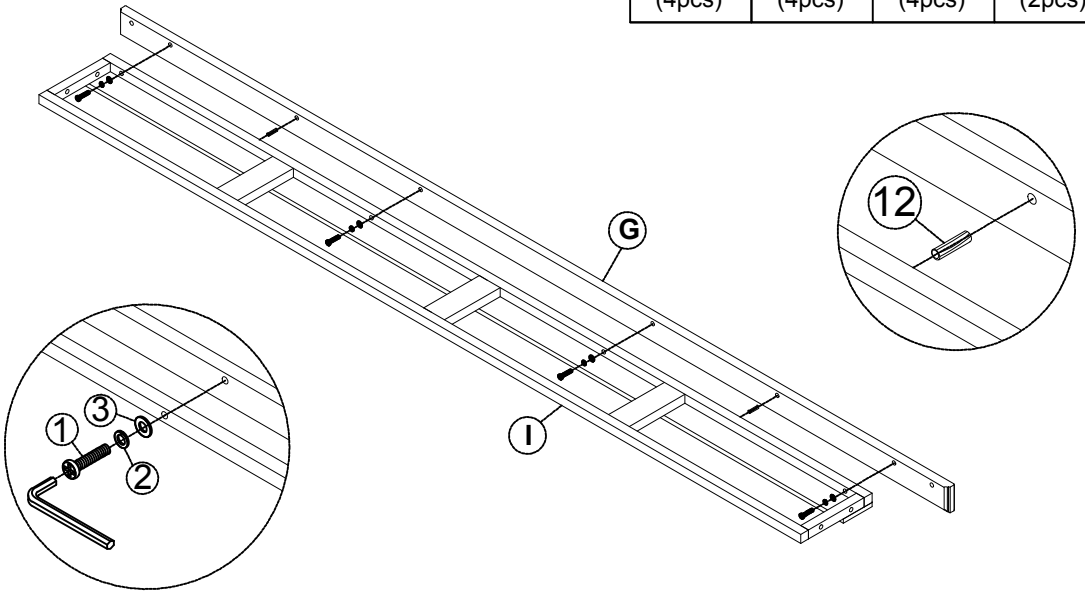


| | | | |
|--------|--------|--------|--------|
| 1 | 2 | 3 | 12 |
| | | | |
| (8pcs) | (8pcs) | (8pcs) | (2pcs) |




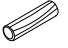


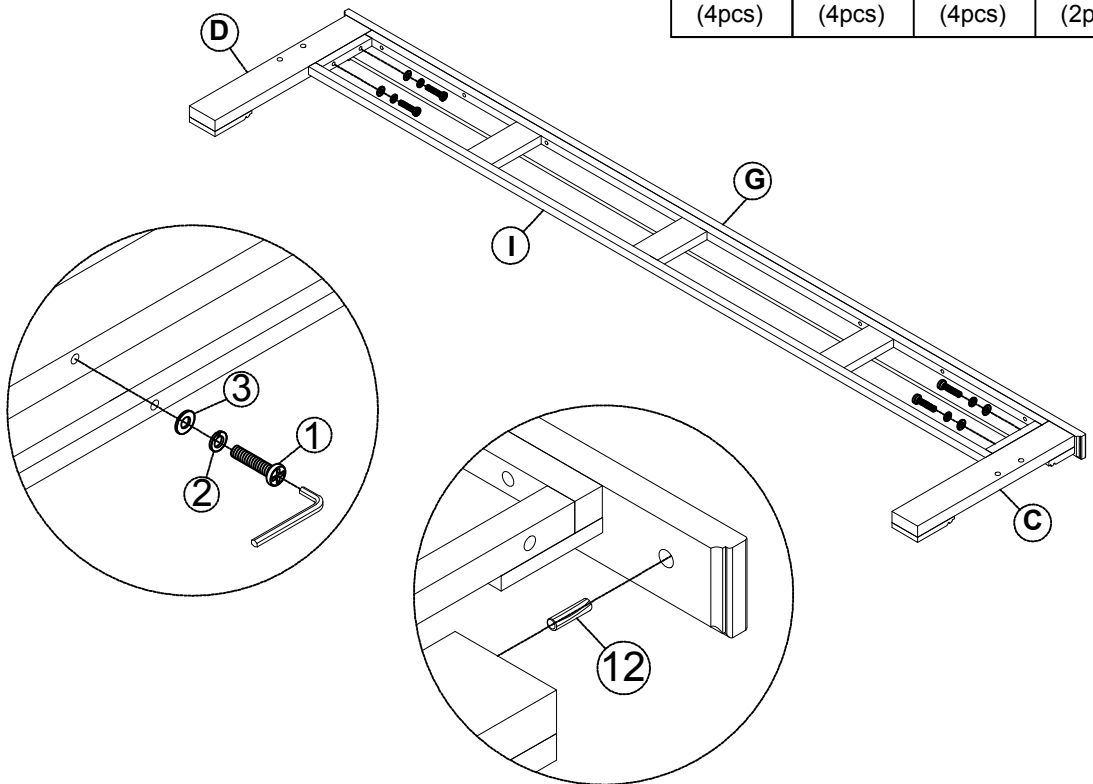
STEP 3

| | | | |
|--|--|---|--|
| 1 | 2 | 3 | 12 |
|  |  |  |  |
| (4pcs) | (4pcs) | (4pcs) | (2pcs) |






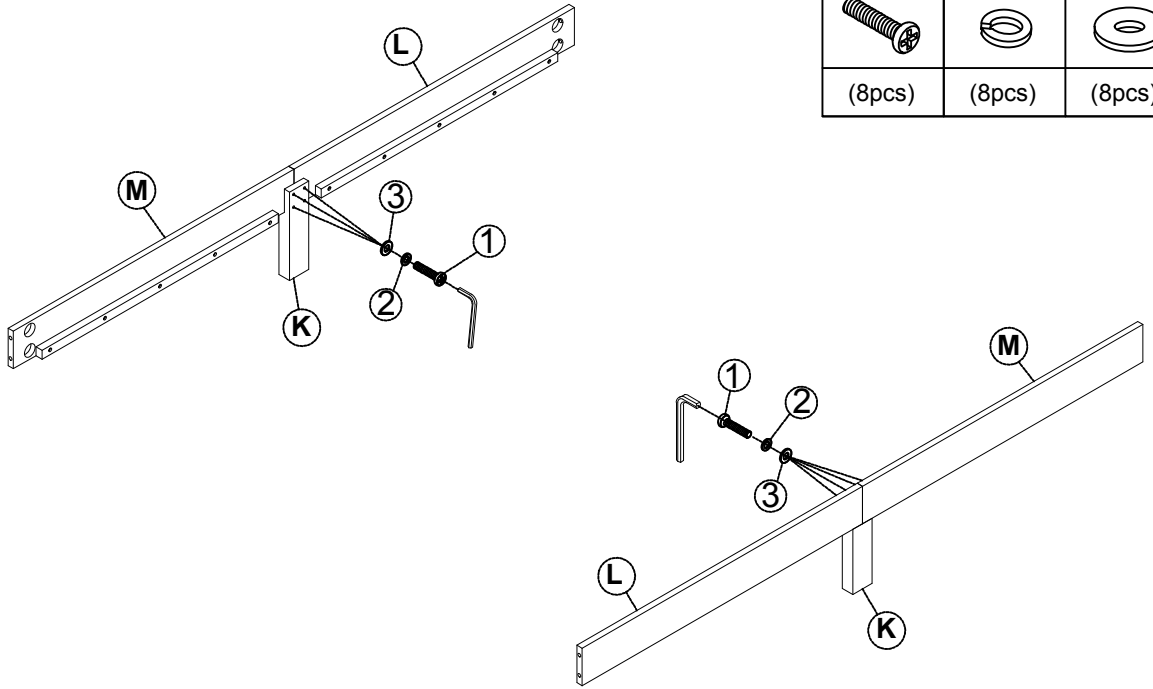
STEP 4

| | | | |
|---|--|---|---|
| 1 | 2 | 3 | 12 |
|  |  |  |  |
| (4pcs) | (4pcs) | (4pcs) | (2pcs) |




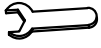


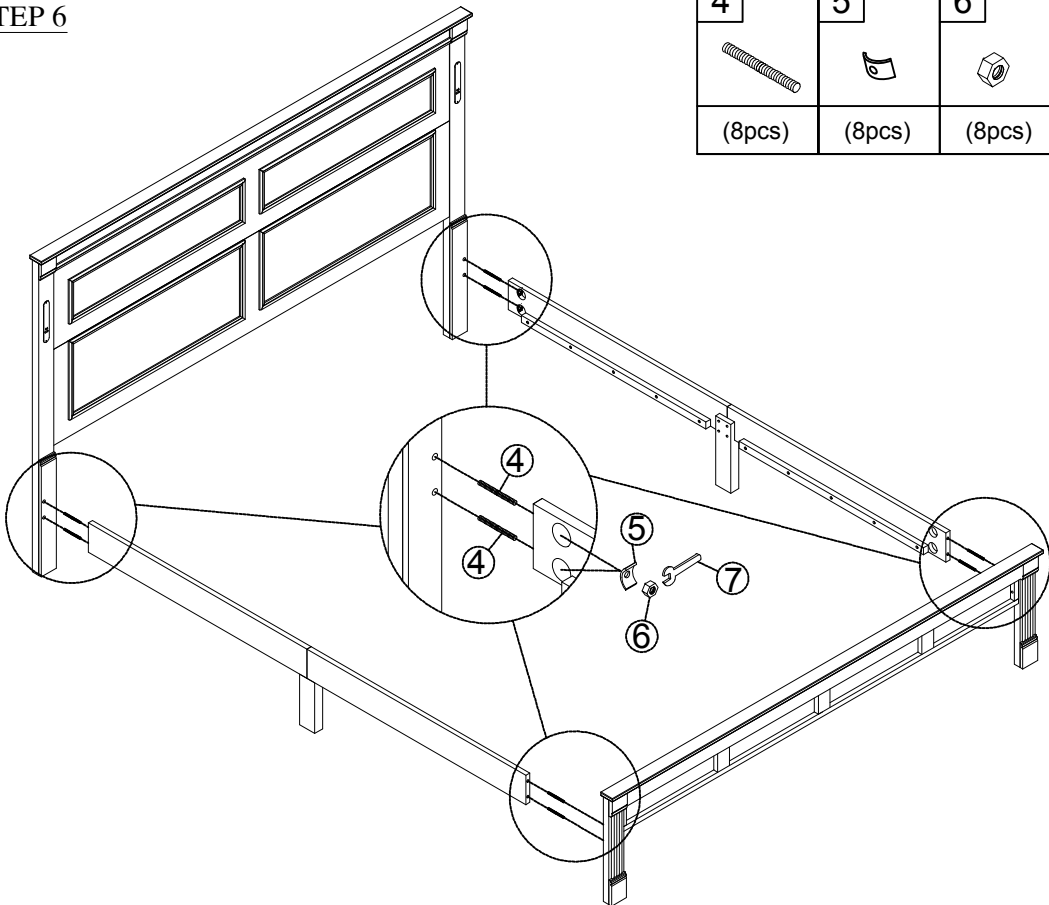
STEP 5

| | | |
|---|---|---|
| 1 | 2 | 3 |
|  |  |  |
| (8pcs) | (8pcs) | (8pcs) |



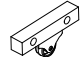


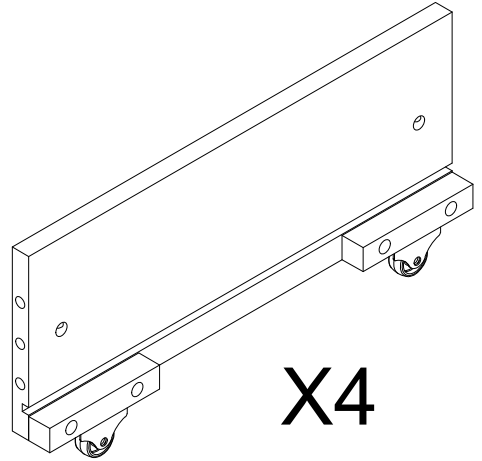
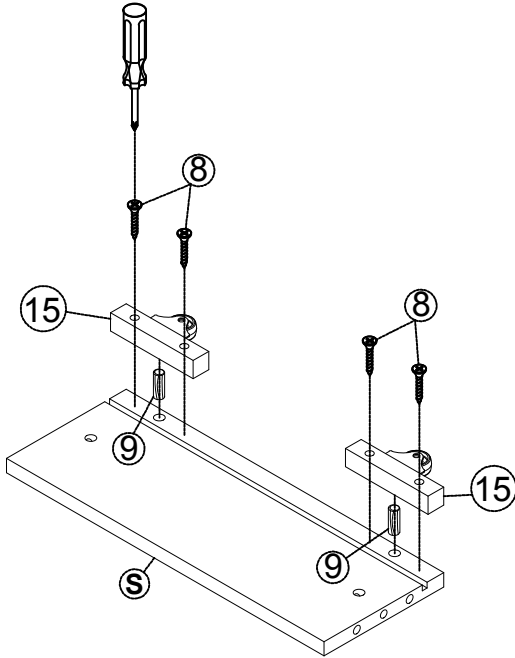
STEP 6

| | | | |
|---|--|---|---|
| 4 | 5 | 6 | 7 |
|  |  |  |  |
| (8pcs) | (8pcs) | (8pcs) | (1pc) |



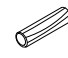




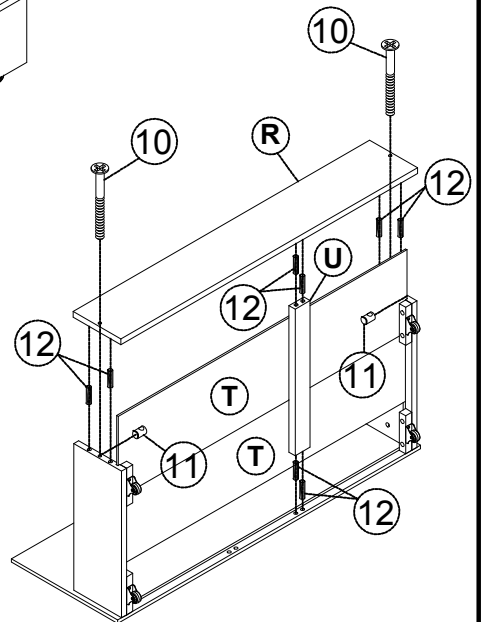
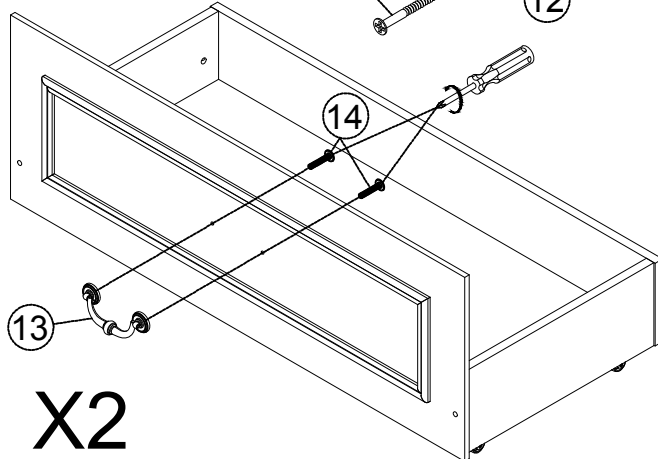
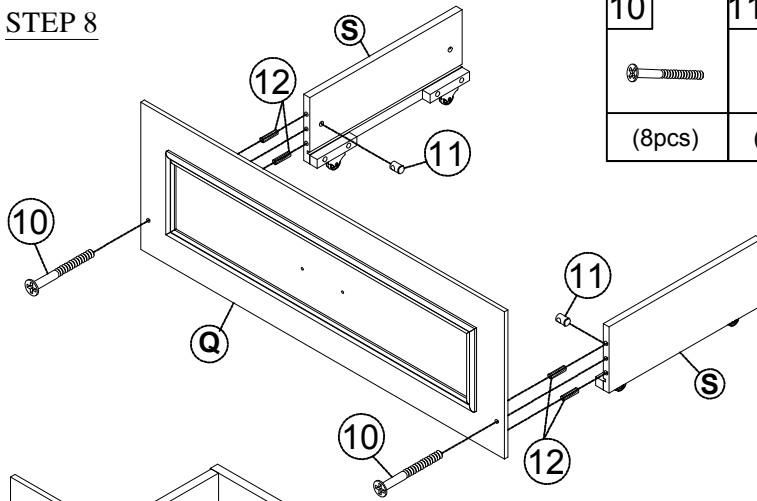
STEP 7

| | | |
|--|---|--|
| 8 | 9 | 15 |
|  |  |  |
| (16pcs) | (8pcs) | (8pcs) |

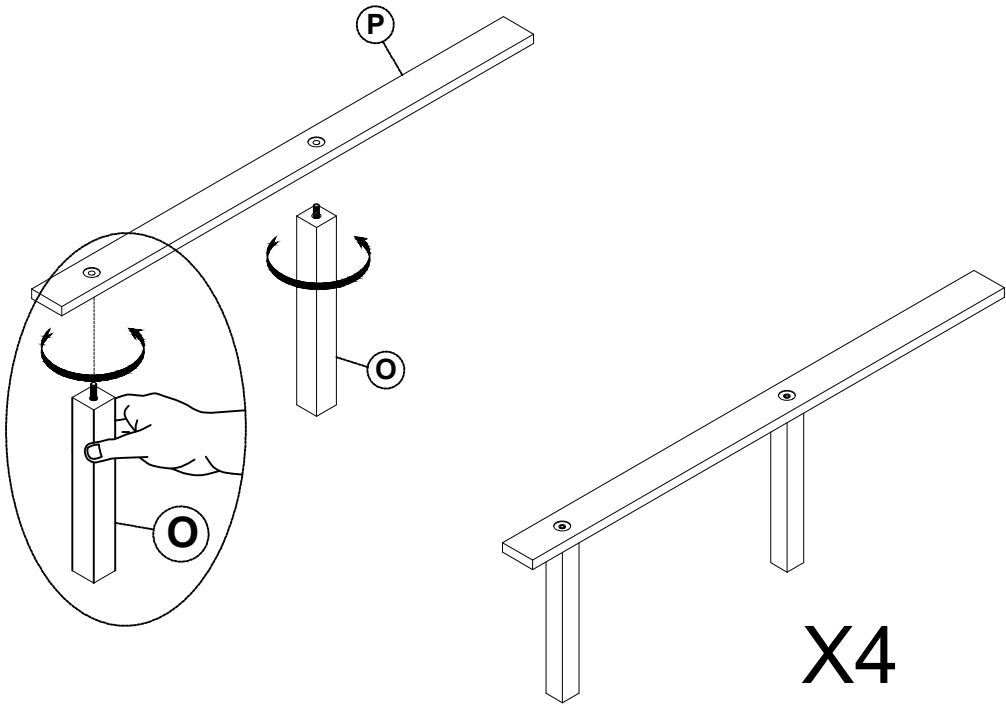


STEP 8

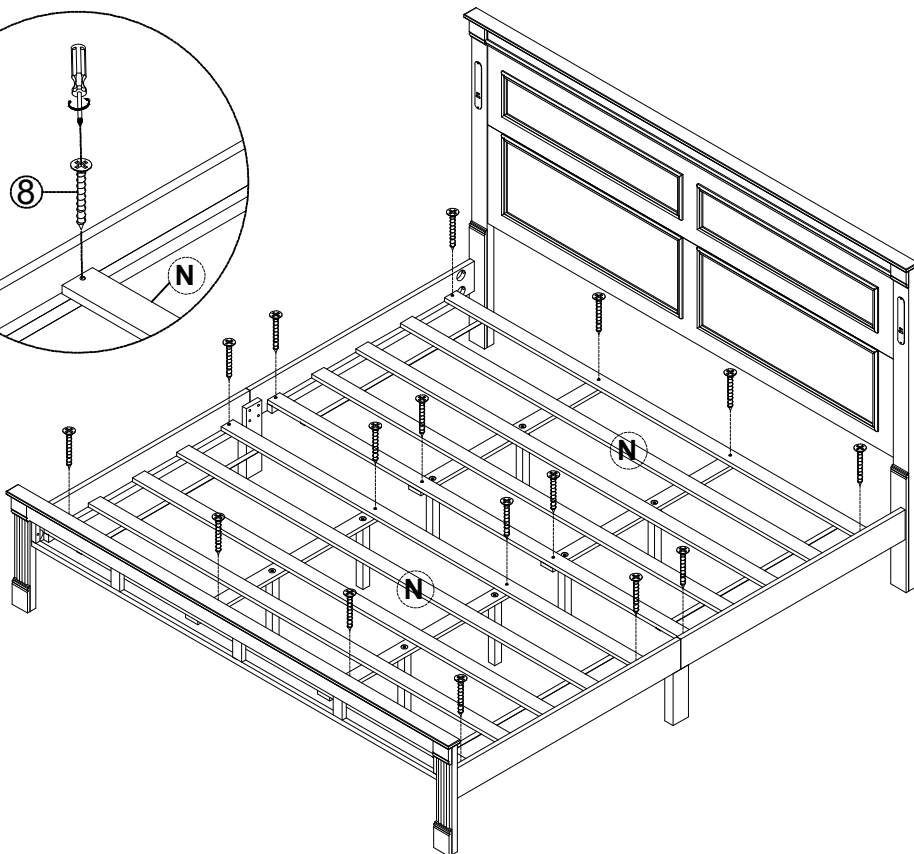
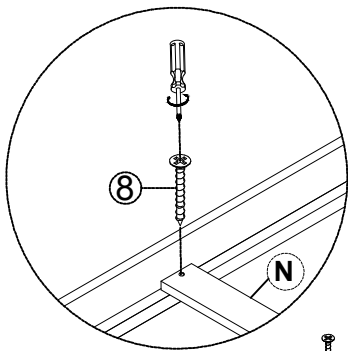
| | | | | |
|---|---|--|---|---|
| 10 | 11 | 12 | 13 | 14 |
|  |  |  |  |  |
| (8pcs) | (8pcs) | (24pcs) | (2pcs) | (4pcs) |



STEP 9



STEP 10

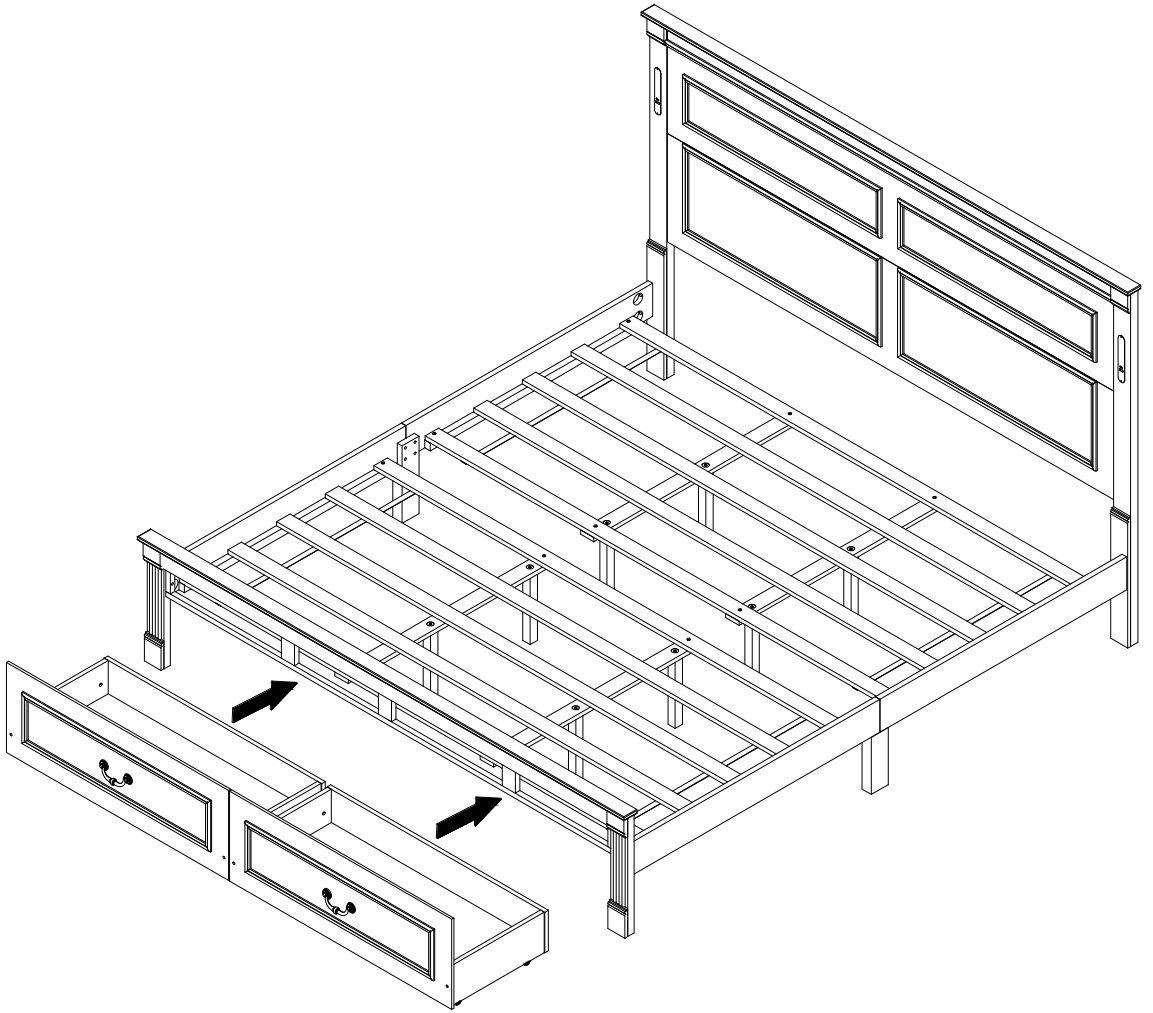


8

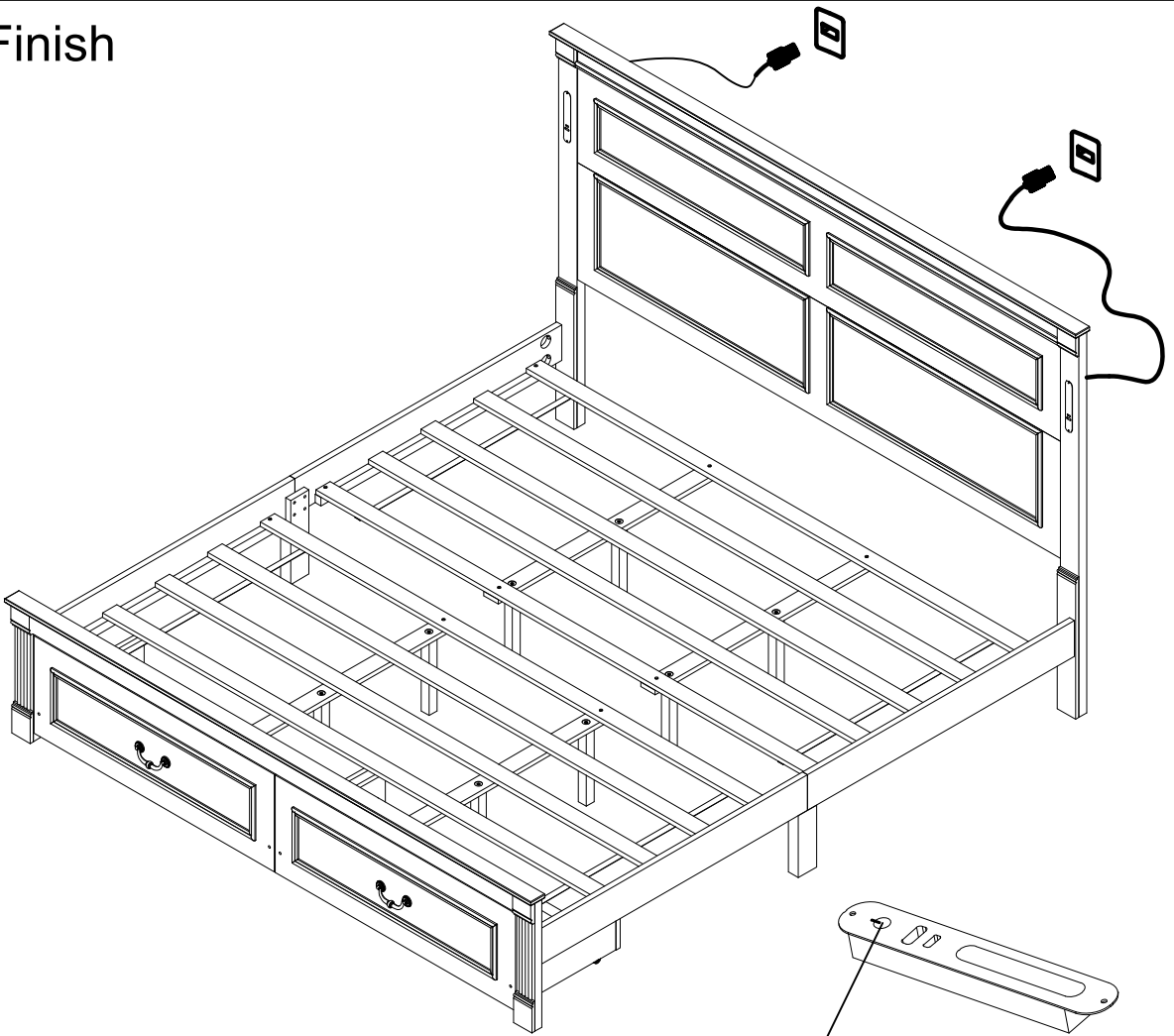


(16pcs)

STEP 11



Finish



How to use

Short press the button to control the switch.
Long press the button to adjust the brightness.

Product Usage Precautions:

- 1 : The product cannot be used outdoors;
- 2 : Please reserve sufficient hole clearance during the installation;
- 3 : Please select an appropriate power supply to ensure normal operation.
- 4 : Do not look directly at the on-lighted LED strip for a long time to avoid any damage of your sight.
- 5 : Please have professionals carry out disassembly and maintenance to avoid causing various damages