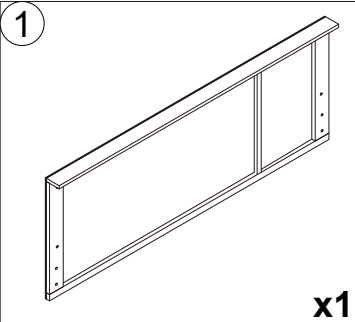
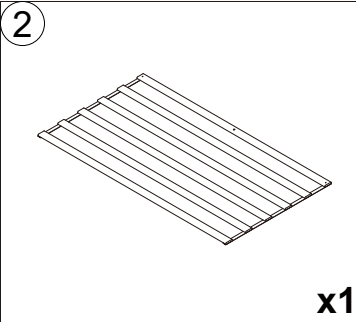
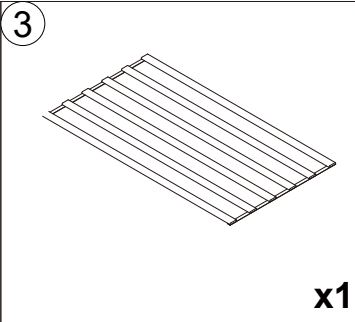
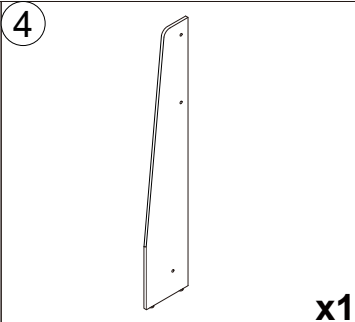
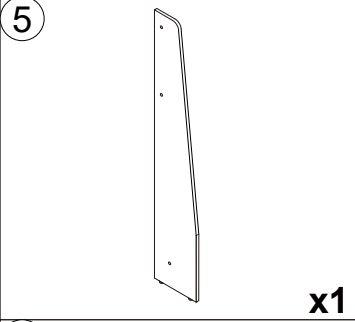
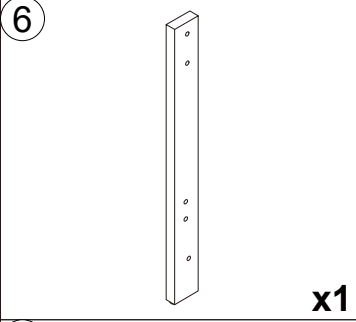
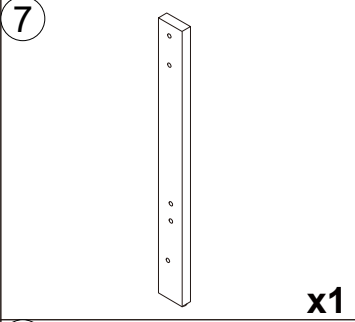
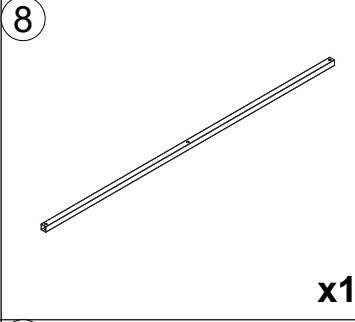
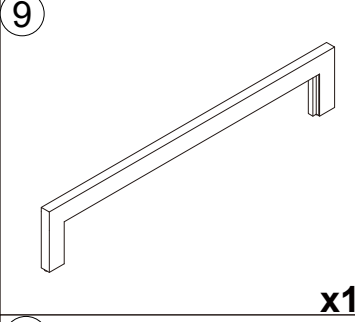
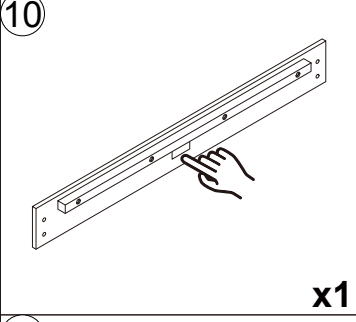
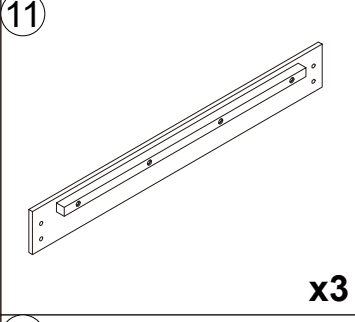
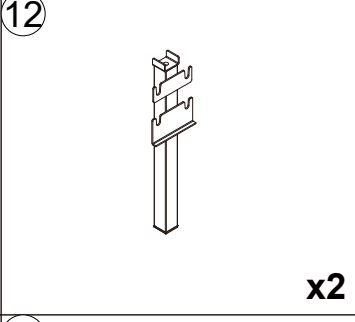
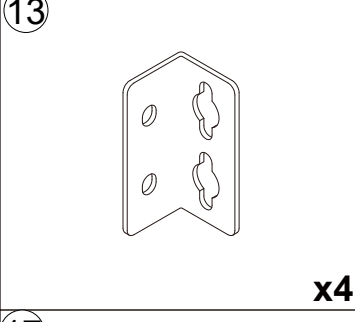
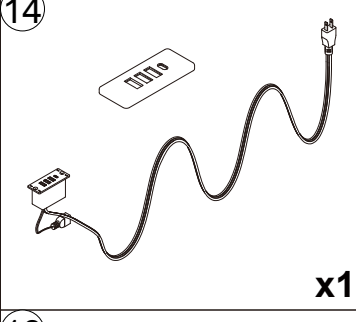
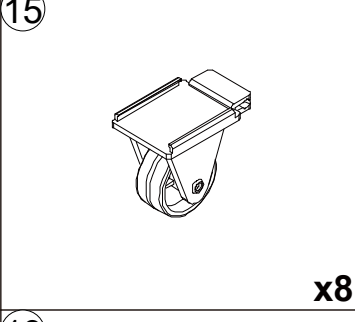
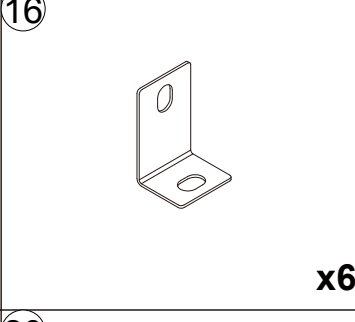
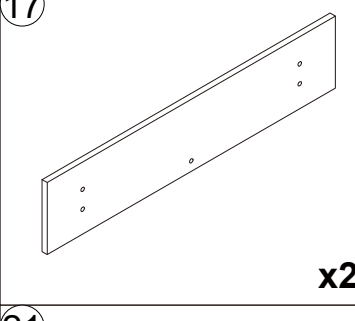
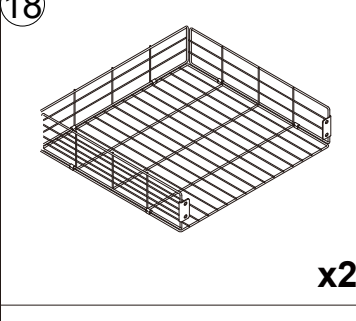
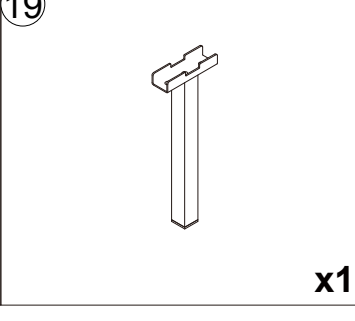
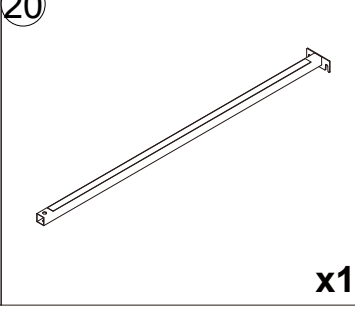
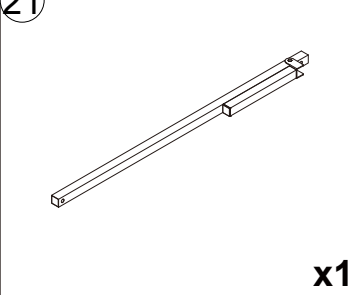


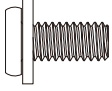
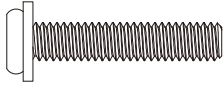
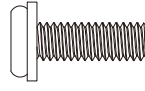
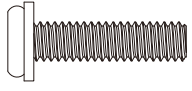
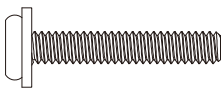
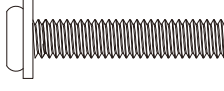
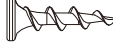
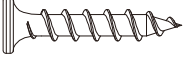

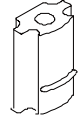
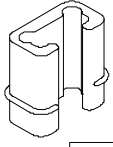
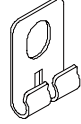
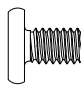
PARTS LIST

P.2

 <p>1</p> <p>x1</p>	 <p>2</p> <p>x1</p>	 <p>3</p> <p>x1</p>	 <p>4</p> <p>x1</p>
 <p>5</p> <p>x1</p>	 <p>6</p> <p>x1</p>	 <p>7</p> <p>x1</p>	 <p>8</p> <p>x1</p>
 <p>9</p> <p>x1</p>	 <p>10</p> <p>x1</p>	 <p>11</p> <p>x3</p>	 <p>12</p> <p>x2</p>
 <p>13</p> <p>x4</p>	 <p>14</p> <p>x1</p>	 <p>15</p> <p>x8</p>	 <p>16</p> <p>x6</p>
 <p>17</p> <p>x2</p>	 <p>18</p> <p>x2</p>	 <p>19</p> <p>x1</p>	 <p>20</p> <p>x1</p>
 <p>21</p> <p>x1</p>			

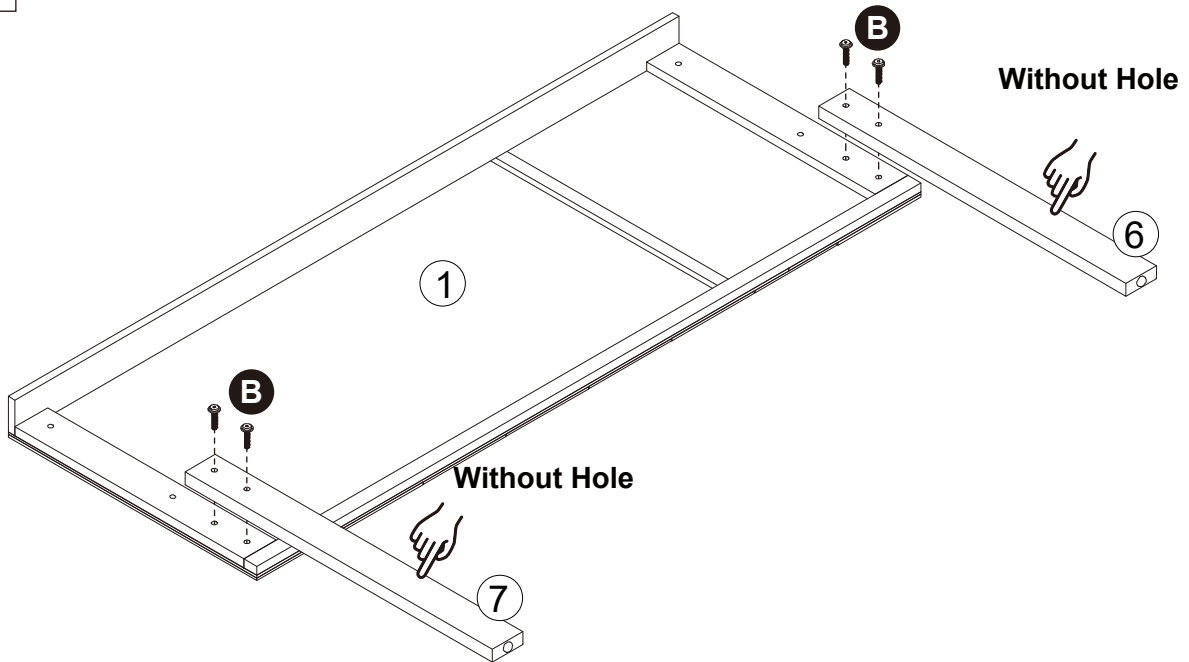
HARDWARE LIST

P.3

<p>A</p>  <p>5/16x16mm x26+2PCS</p>	<p>B</p>  <p>5/16x40mm x4+1PCS</p>	<p>C</p>  <p>5/16x25mm x12+2PCS</p>	<p>D</p>  <p>5/16x35mm x4+1PCS</p>
<p>E</p>  <p>1/4x45mm x1 PC</p>	<p>F</p>  <p>5/16x55mm x1 PC</p>	<p>G</p>  <p>M3x13mm x2+1PCS</p>	<p>H</p>  <p>M4x30mm x2+1PCS</p>
<p>I</p>  <p>M4x100 x1PC</p>	<p>J Drawer Connector</p>  <p>x4+1PCS</p>	<p>K Drawer Connector</p>  <p>x4+1PCS</p>	<p>L Bracket</p>  <p>x2+1PCS</p>
<p>M</p>  <p>1/4x10mm x10+2PCS</p>			

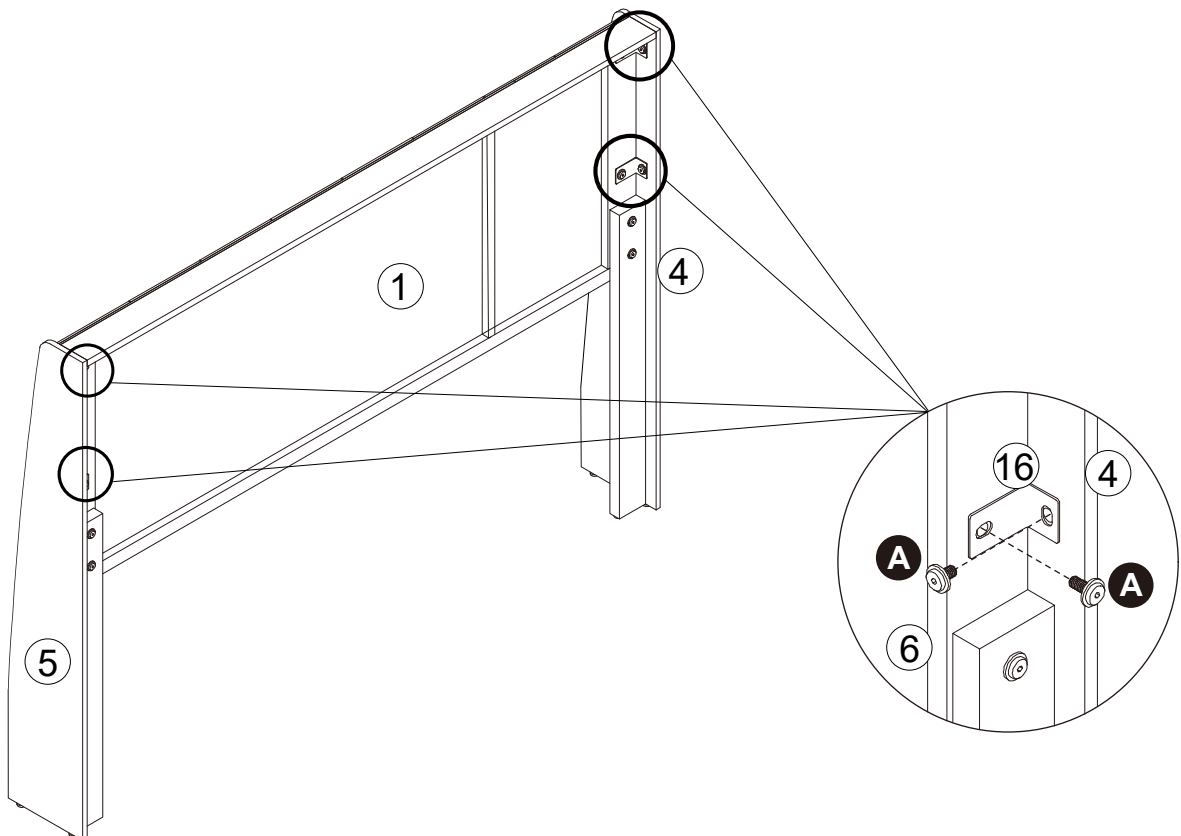
1

 B x 4



2

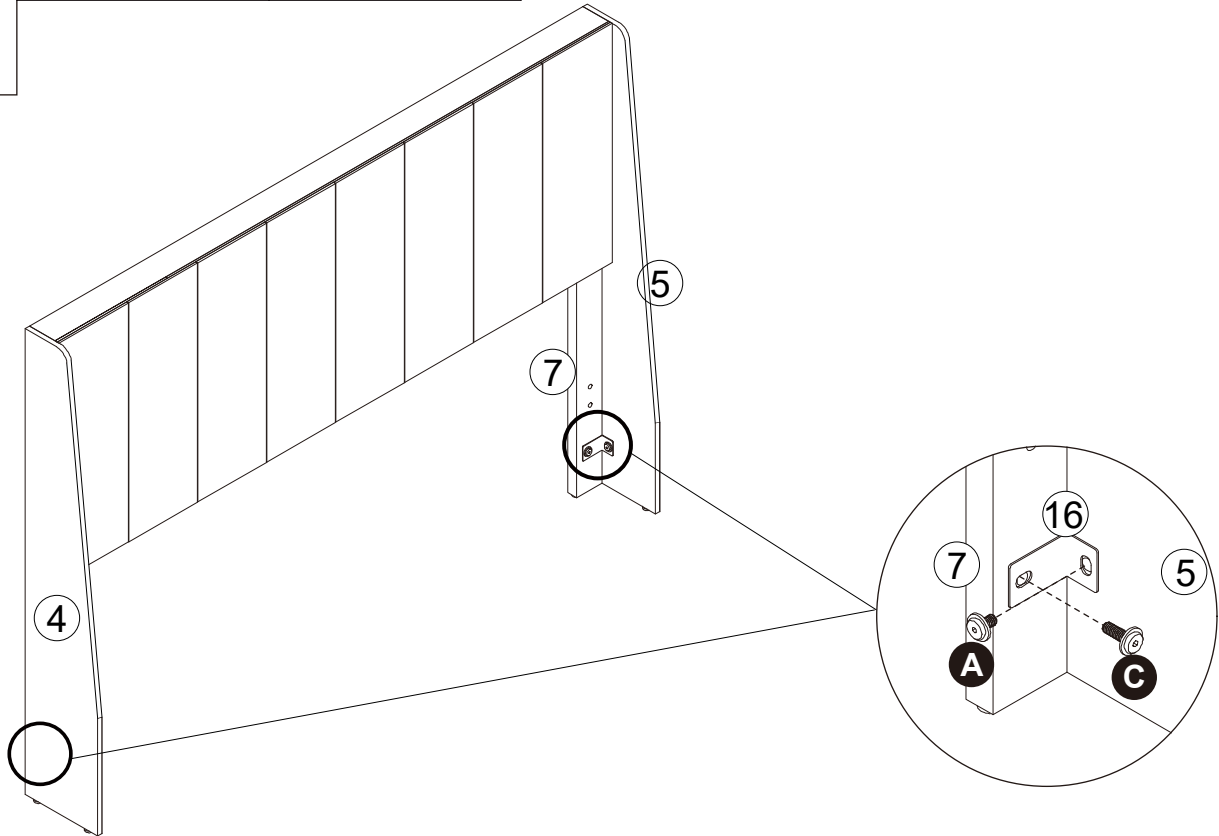
 A x 8



3

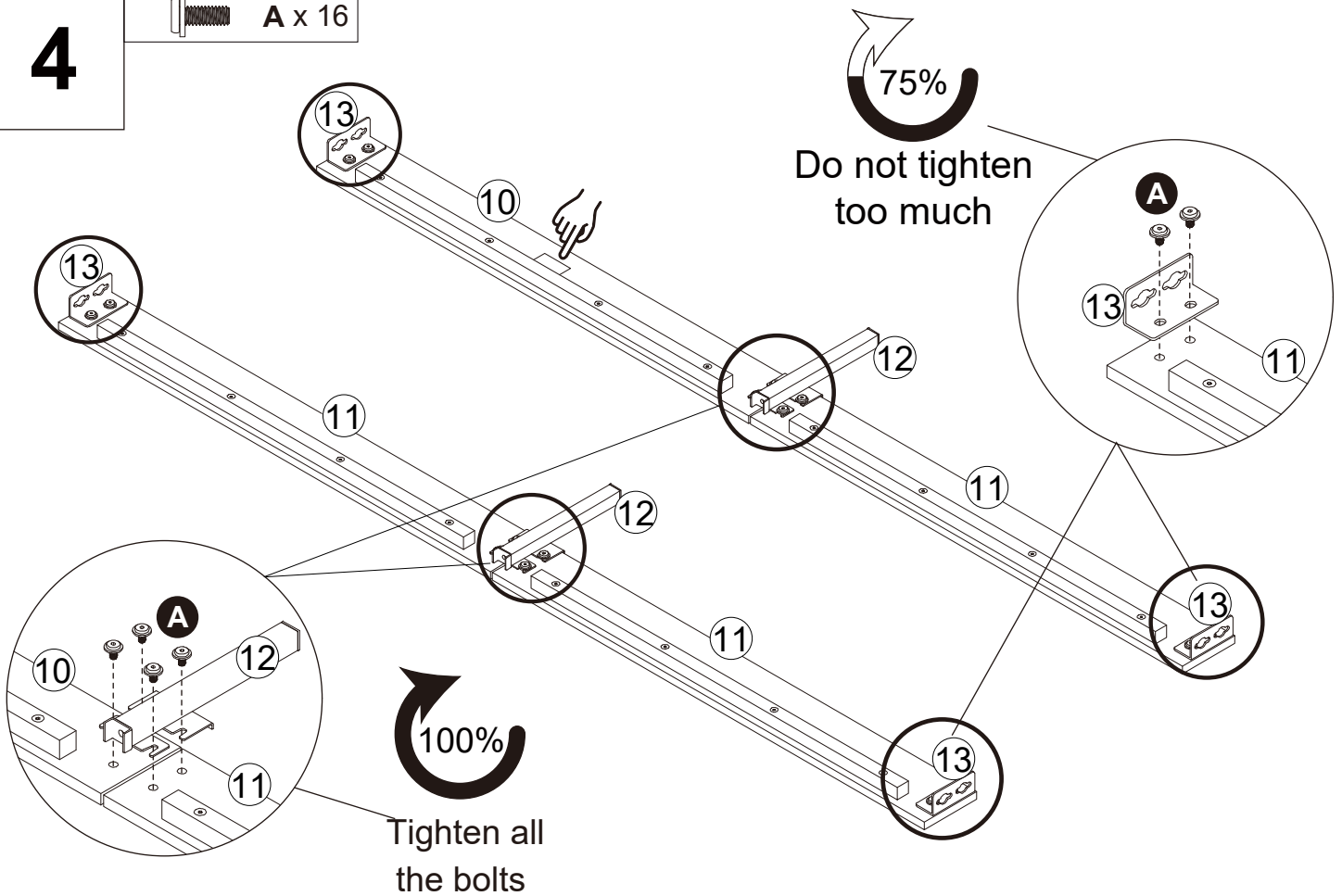
A x 2

C x 2



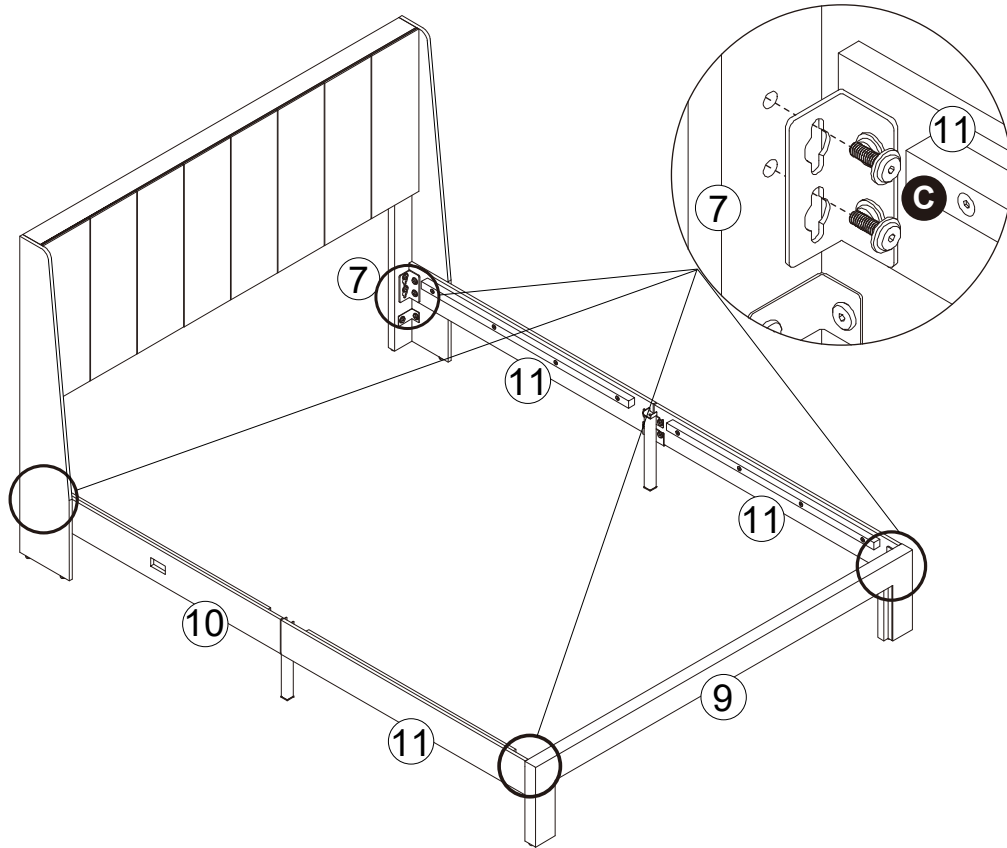
4

A x 16



5

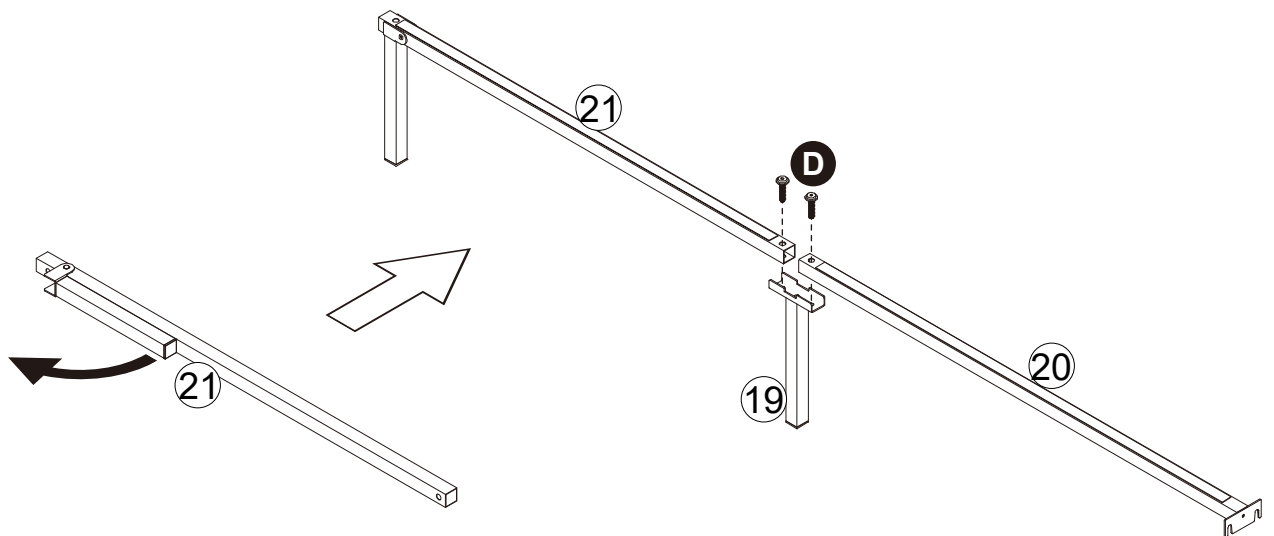
 C x 8



Tighten all the bolts

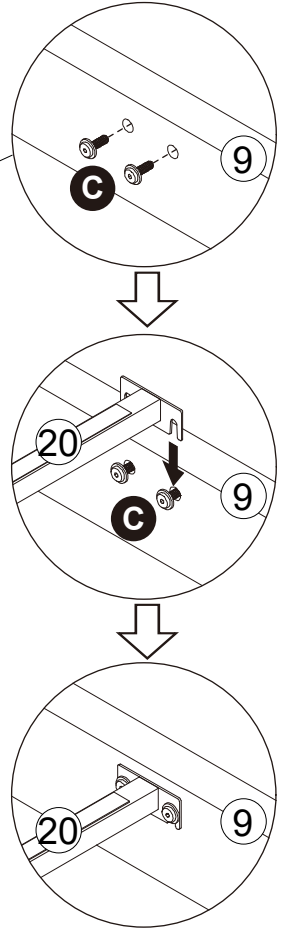
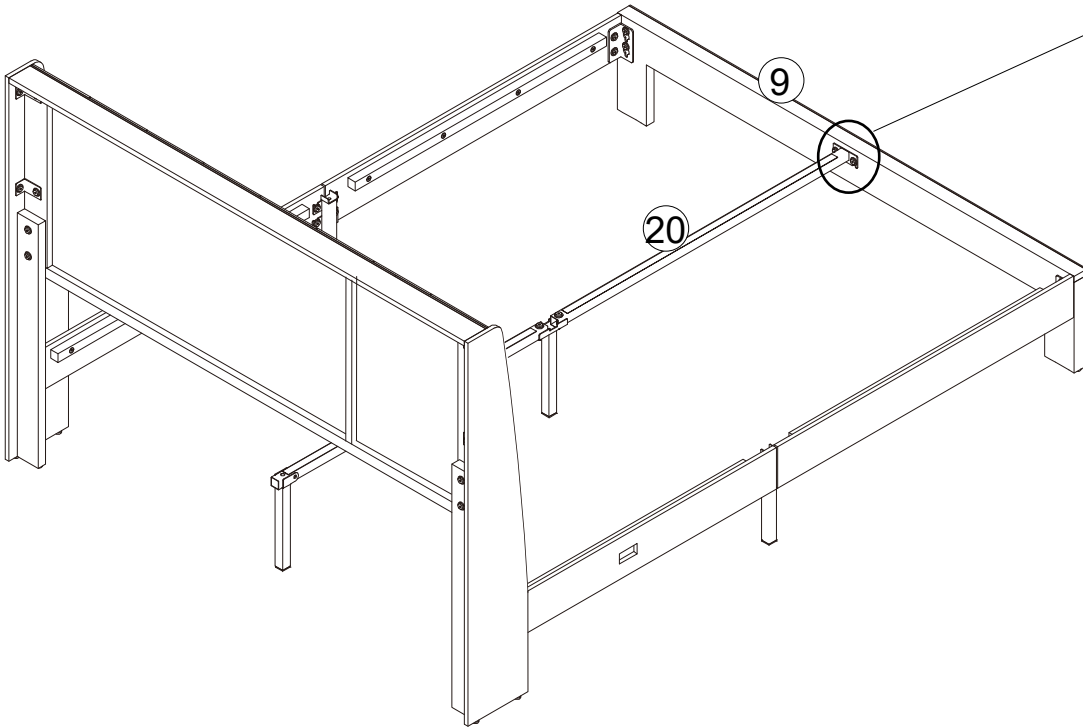
6

 D x 2



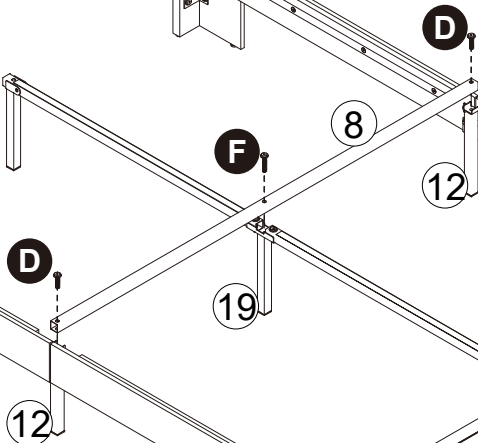
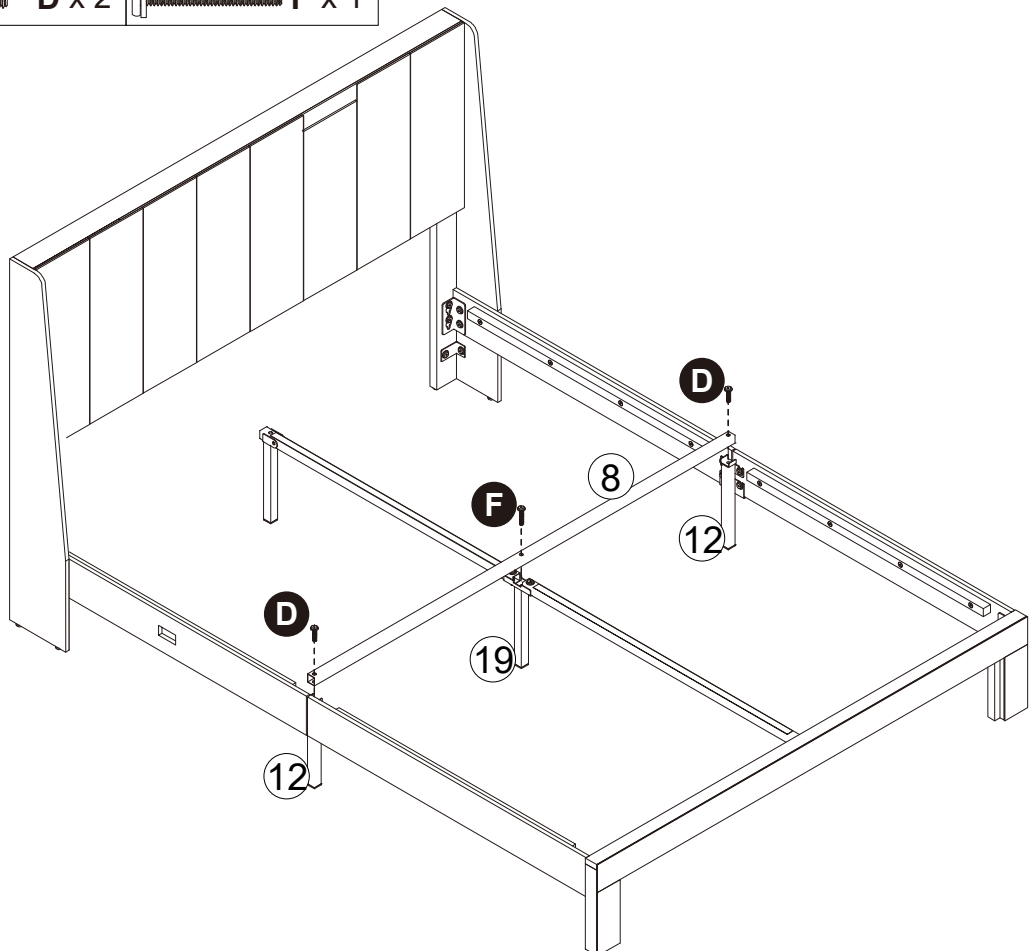
7

 C x 2


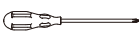


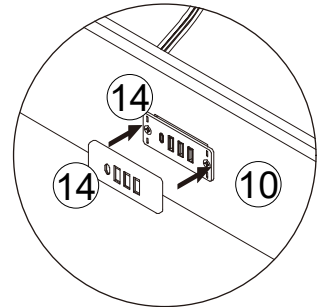
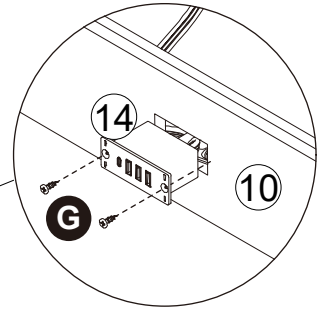
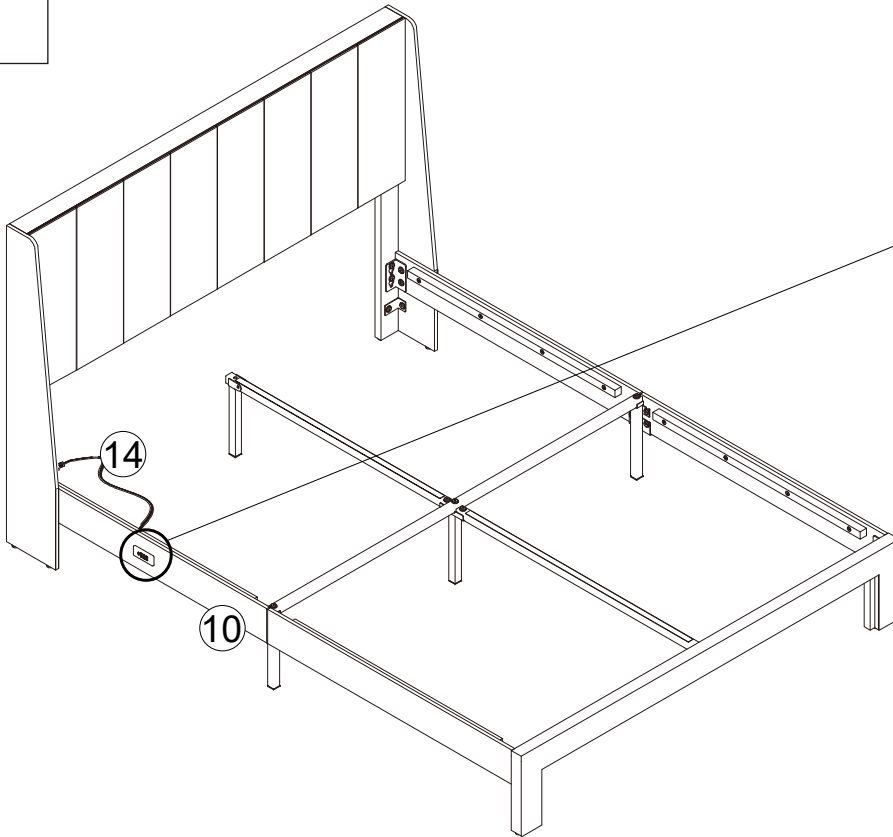
8

 D x 2  F x 1



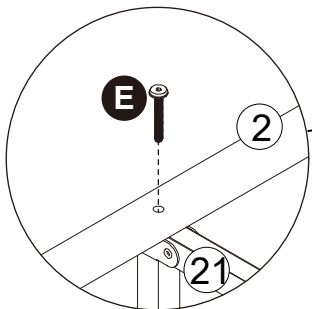
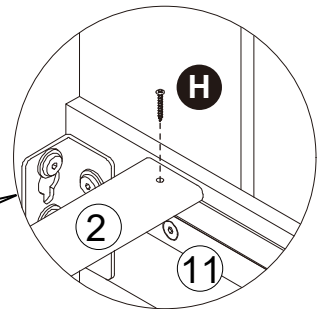
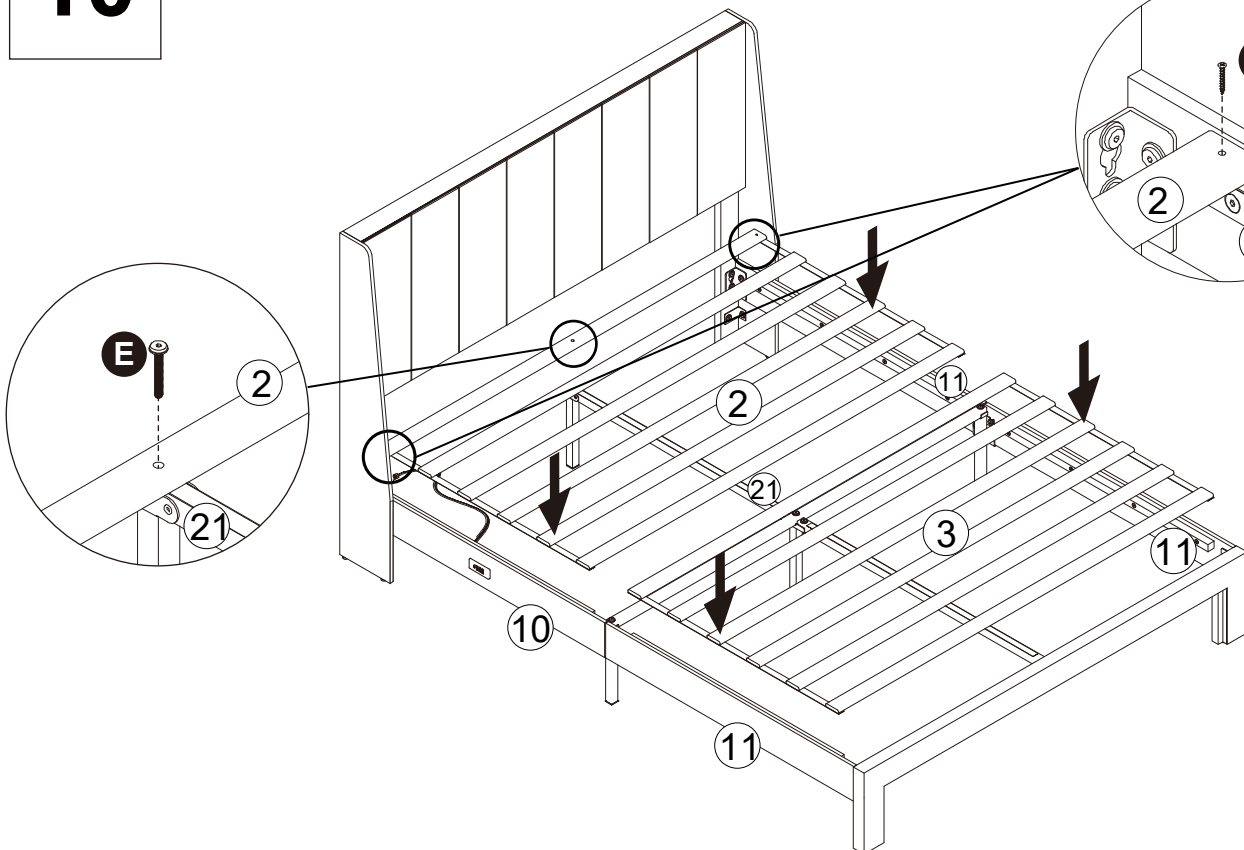
9

 **G x 2**  Not Provided



10

 **E x 1**  **H x 2**  Not Provided



11



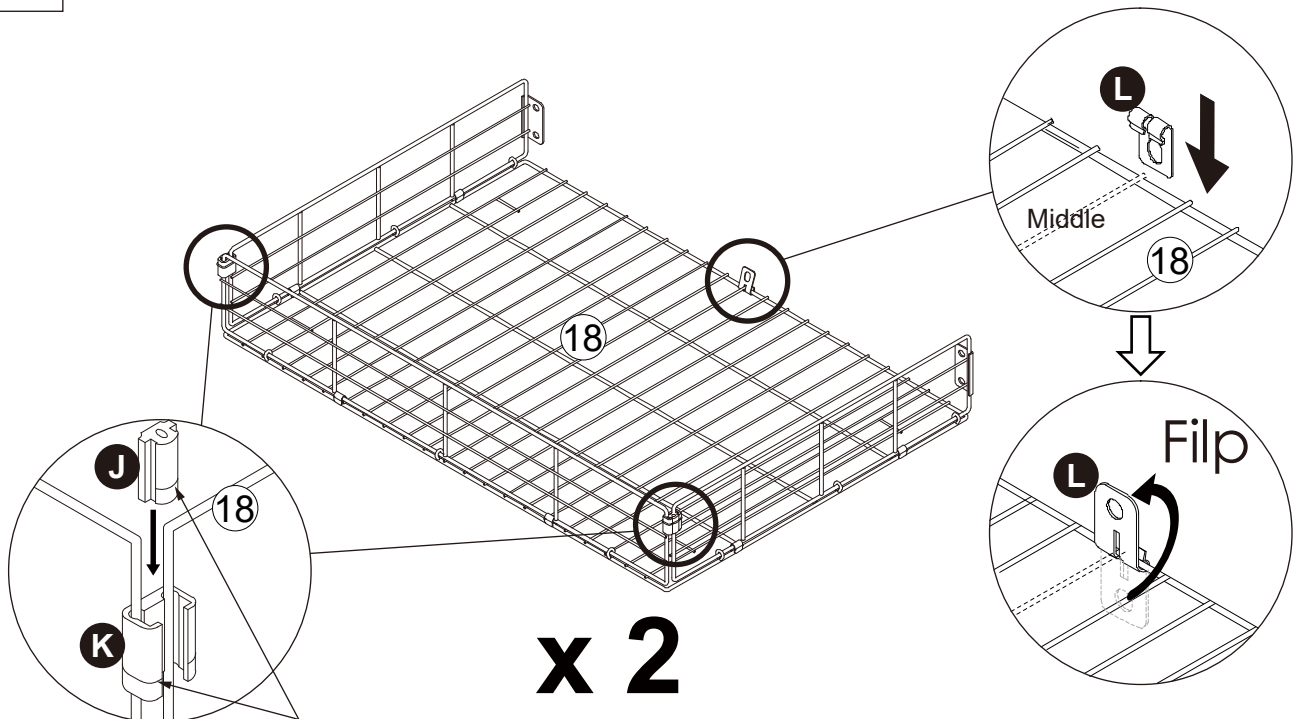
J x 4



K x 4

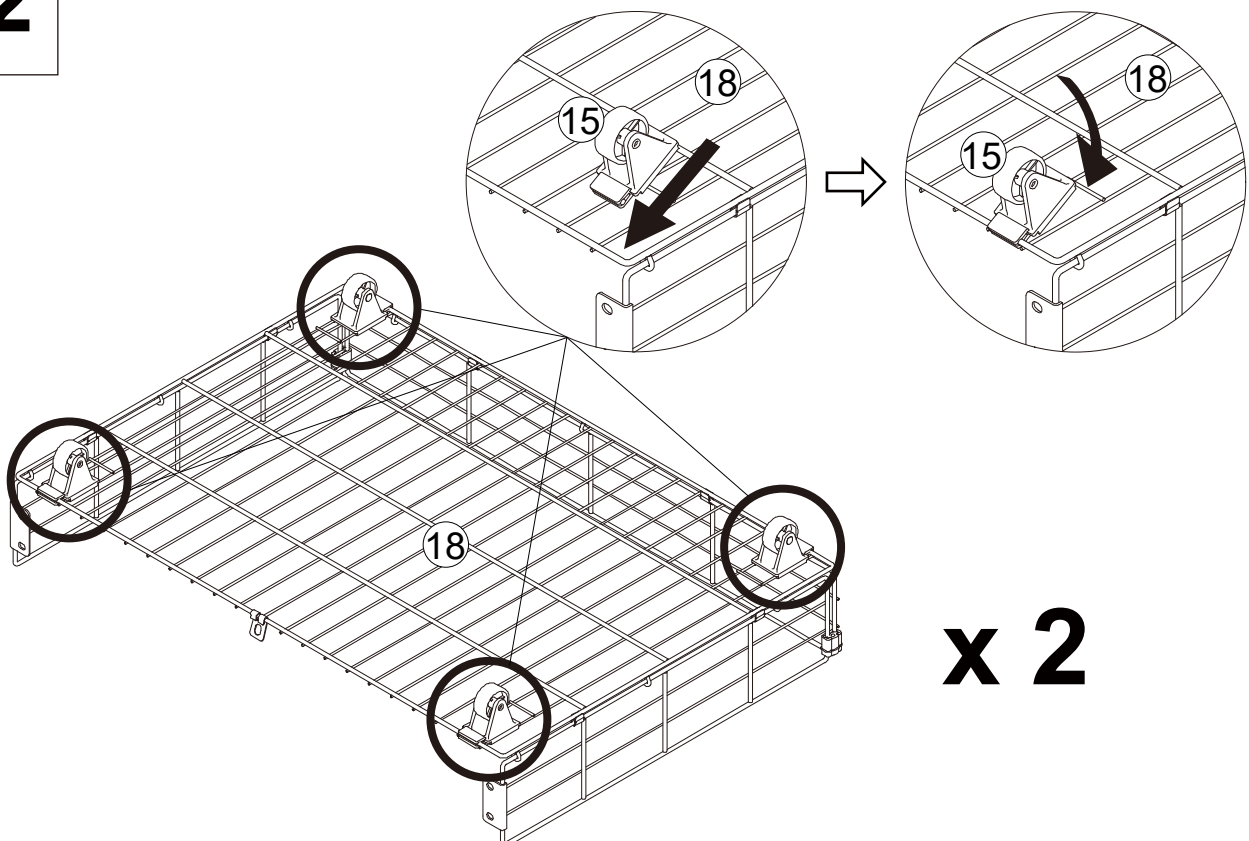


L x 2



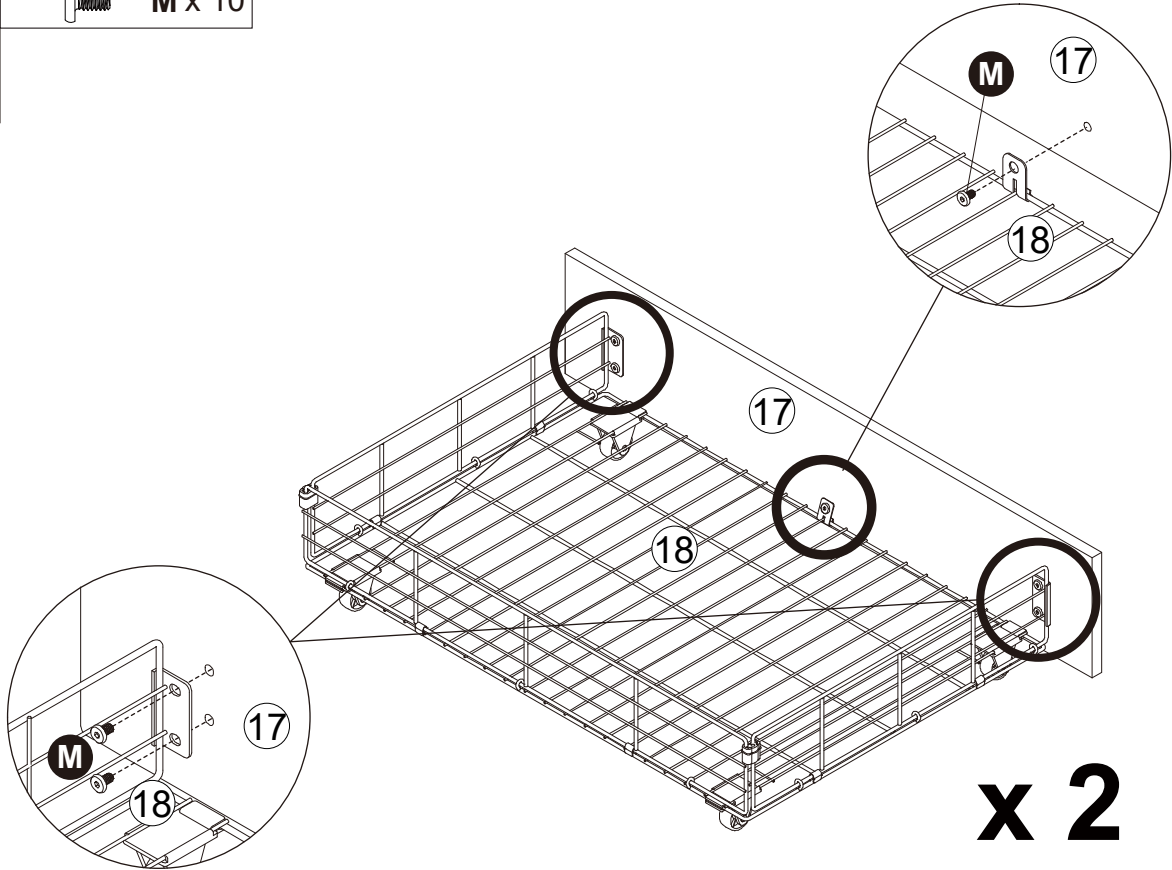
Pay attention to the direction

12

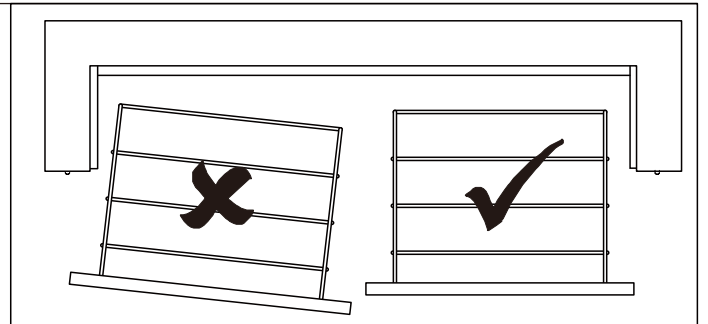
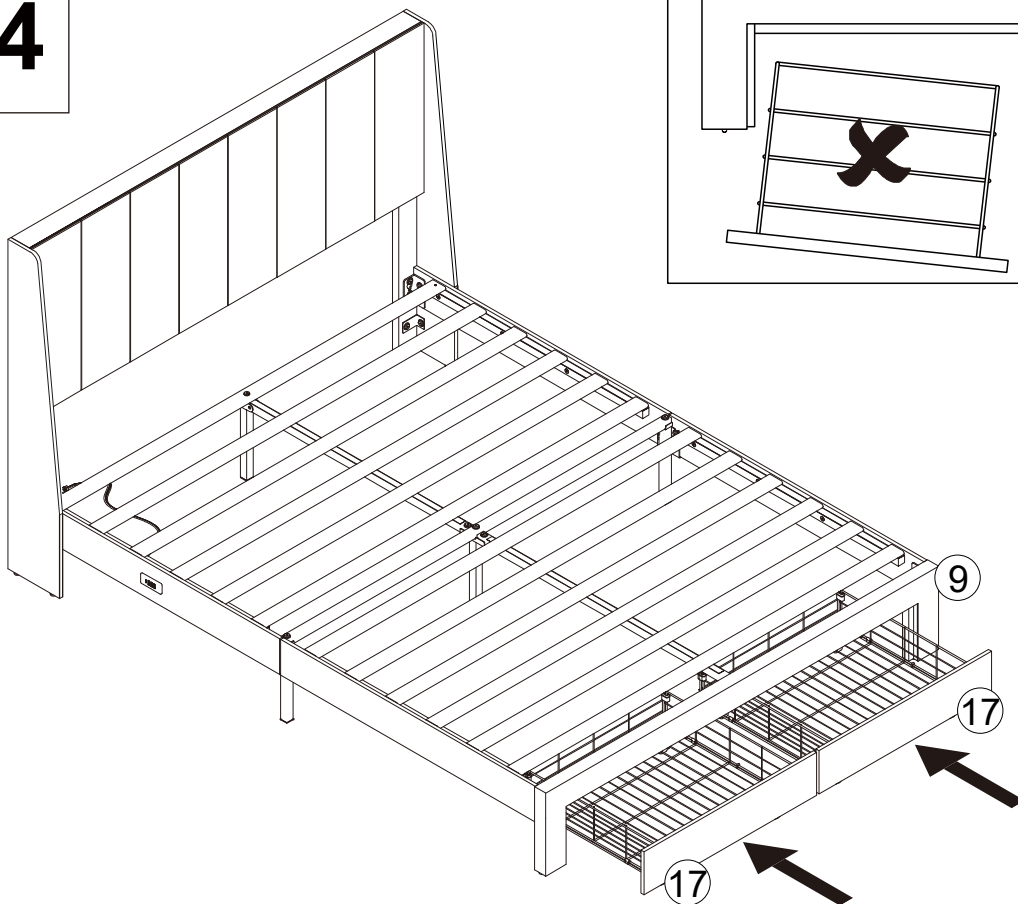


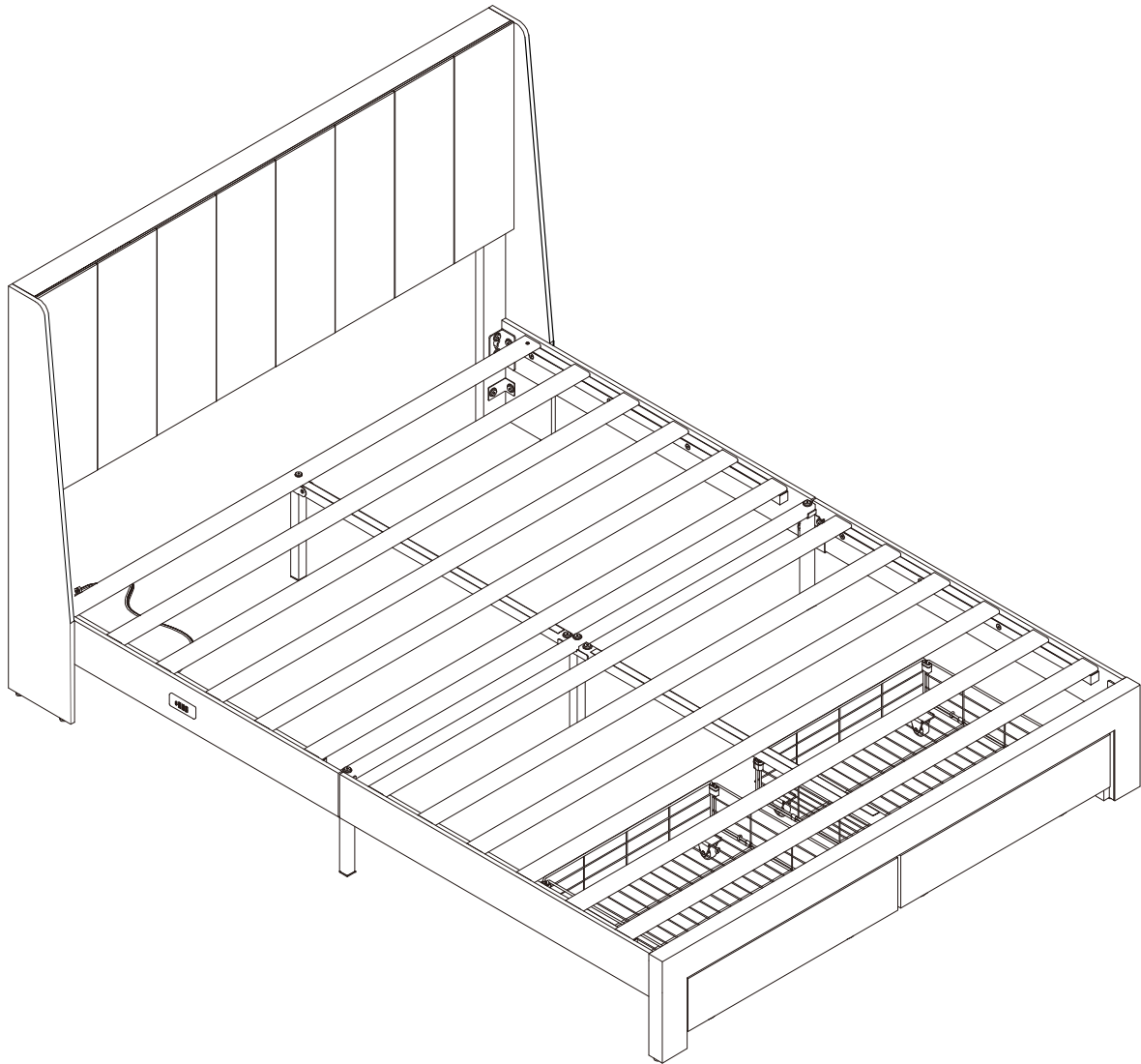
13

 M x 10



14





COMPLETE