

ASSEMBLY INSTRUCTIONS

PART LIST		
ITEM	DESCRIPTION	QTY
A	LEG	4PCS

Read this instruction carefully. See hardware and furniture part list for guidance. Be sure all part is complete before you assemble. Place all wooden furniture part on a clean and flat soft surface to prevent from being scratched.

Follow the figure to start assembling.

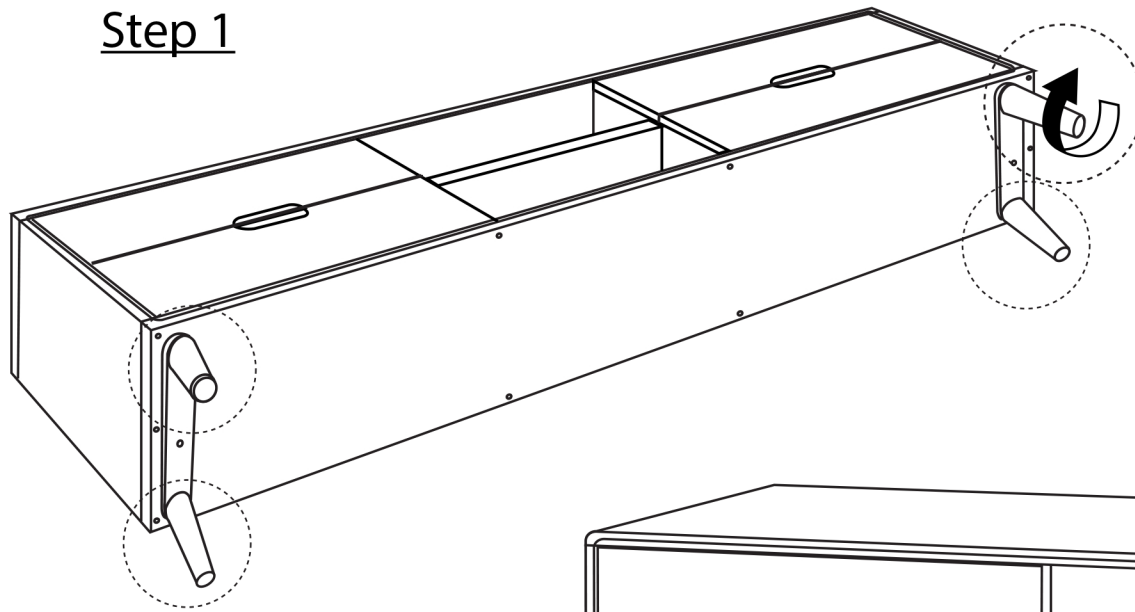
CAUTIONS : 1. Do not **FULLY-TIGHTEN** the nut or nut bolt until all nut or bolt is ready assembled.

2. Do not **OVER-TIGHTEN** the nut or nut bolt to avoid causing damages to the thread.

3. Keep all hardware part out of reach of children.

NOTE : THE LIST AND QUANTITY SHOWN ARE FOR 1 UNIT ASSEMBLY.

Step 1



**COMPLETED
ASSEMBLY**

