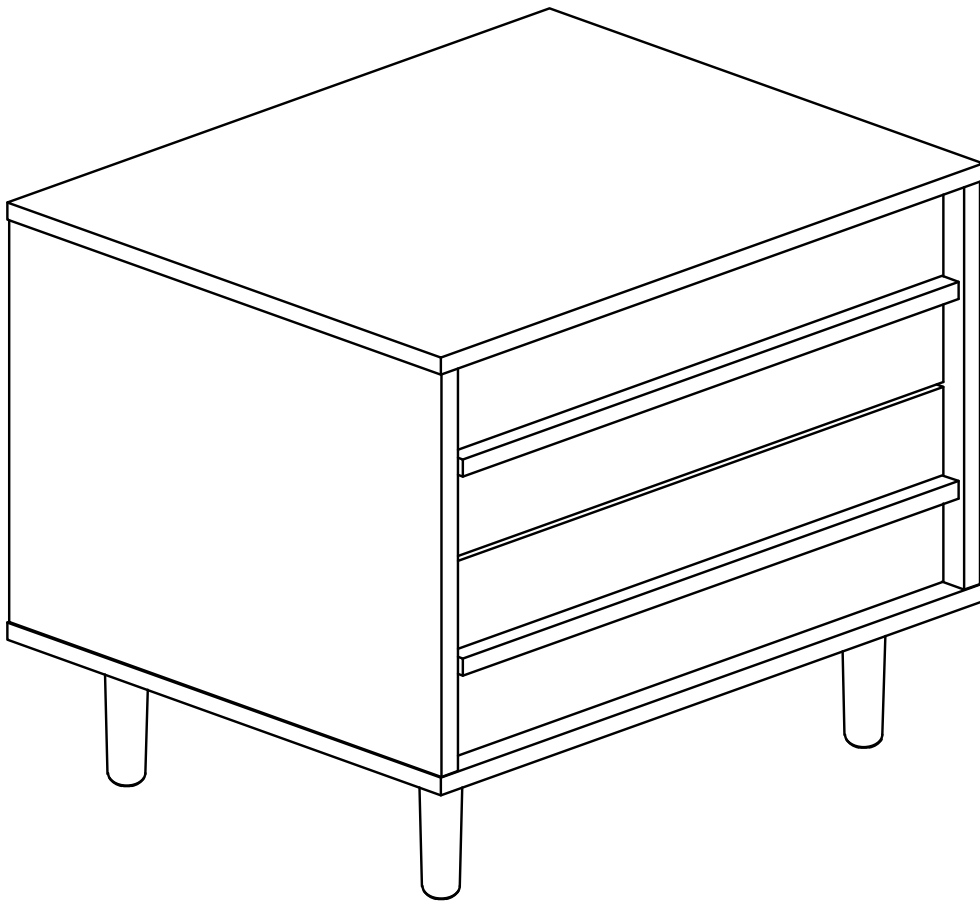


ASSEMBLY INSTRUCTIONS

End Table



60 min. assembly

1 person

*The estimated assembly time may vary depending on the individual.

Hey, there

Now is assembly time!

Deeeeeeep breathe.... and again....
Tools ready,
Easy peasy!

Estimated



60 min. assembly
1 person

Tools Required

- Phillips screwdriver (not included)
- Power Drill (not included)
- Hammer (not included)

important: Cautious when you use power tools

Thank you for purchasing this product. This product has been manufactured with the highest standards of safety and quality.

PLEASE READ ALL INSTRUCTIONS CAREFULLY BEFORE ASSEMBLY.

Unpack all parts from the packaging inside the carton to ensure there are no missing or damaged parts. Lay out all the parts on a clean, flat, and soft surface to prevent scratches. Refer to the steps provided as assembling guide.

Do not attempt to assemble or use the product if any parts are missing or damaged.

REMINDERS

SAFE USAGE IS KEY

Your well-being is our top priority when you use our product. Please prioritize your safety by diligently following the assembly guidelines and inspecting the product carefully both when it arrives and before each use.

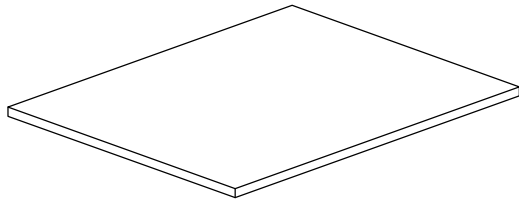
Please be aware that we cannot be held liable for any injuries or fatalities that occur due to not adhering to the provided instructions or misuse of the product.

DO NOT MODIFY

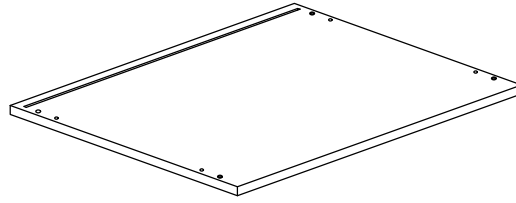
Our products undergo rigorous testing to ensure they meet established safety standards before being released for sale. Altering the product in any way can lead to serious safety concerns, for which we cannot assume responsibility.

What's in the box

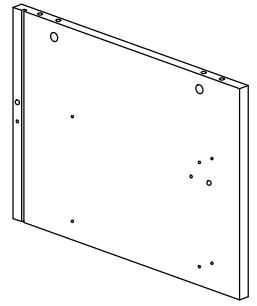
Parts



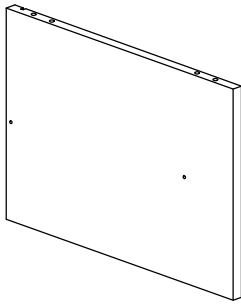
1 X 1
Top Panel



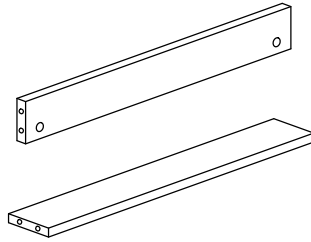
2 X 1
Bottom Panel



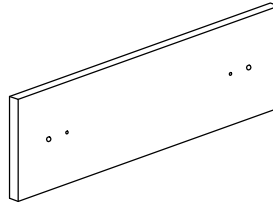
3 X 1
Side Panel-Right



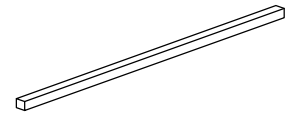
4 X 1
Side Panel-Left



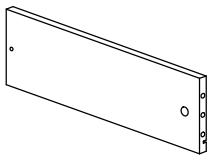
5 X 2
Support Rail-
Front & Back



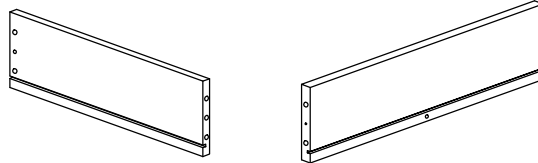
6 X 2
Drawer Front



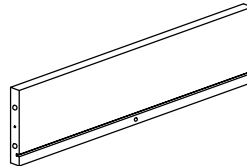
7 X 2
Drawer Handle



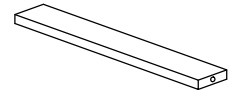
8 X 2
Drawer Side-Left



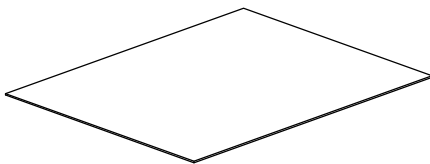
9 X 2
Drawer Side - Right



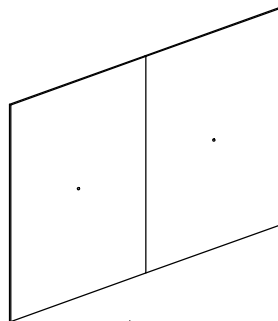
10 X 2
Drawer Back



11 X 2
Drawer Support
Rail



12 X 2
Drawer Base



13 X 1
Back Panel

What's in the box

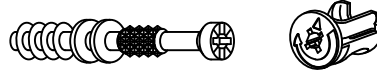
Hardware & Accessory



A X 4
M8 x 20mm
Wood Dowel



B X 28+4
M8 x 25mm
Wood Dowel



C X 14+2
15mm Minifix
Myfix



D X 14+2
M3.5 x 12mm
Screw



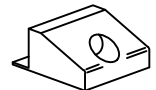
E X 34+4
M3.5 x 16mm
Screw



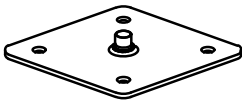
F X 4
M4 x 28mm
Screw



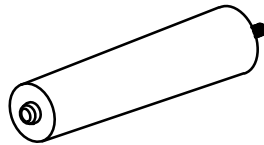
G X 10+2
M4 x 45mm
Screw



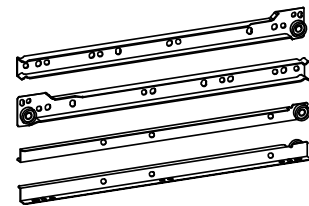
H X 6+1
Pyramid Angle
Corner Block



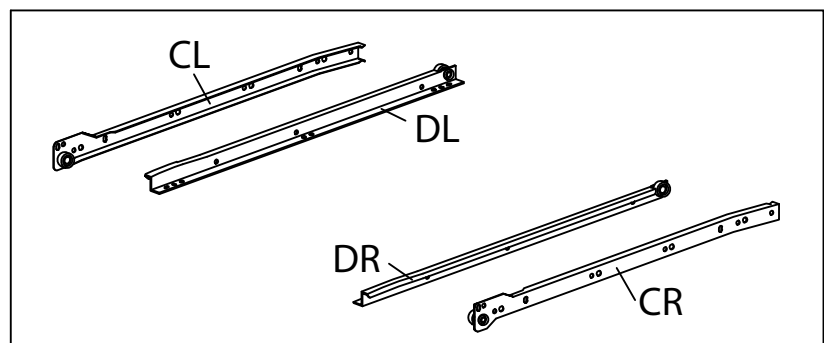
I X 4
Metal Support Leg
(63x63xM8)



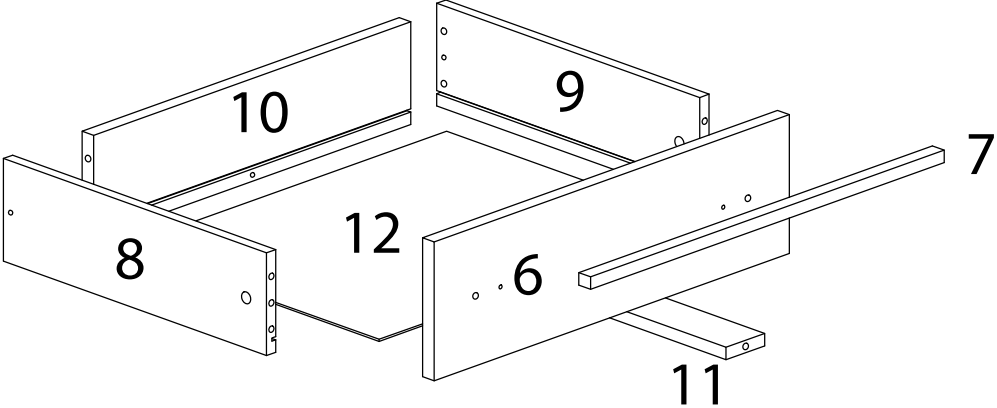
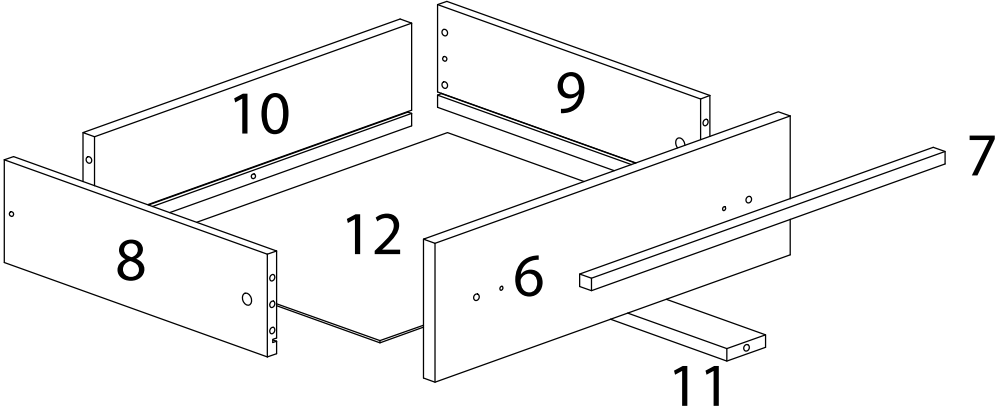
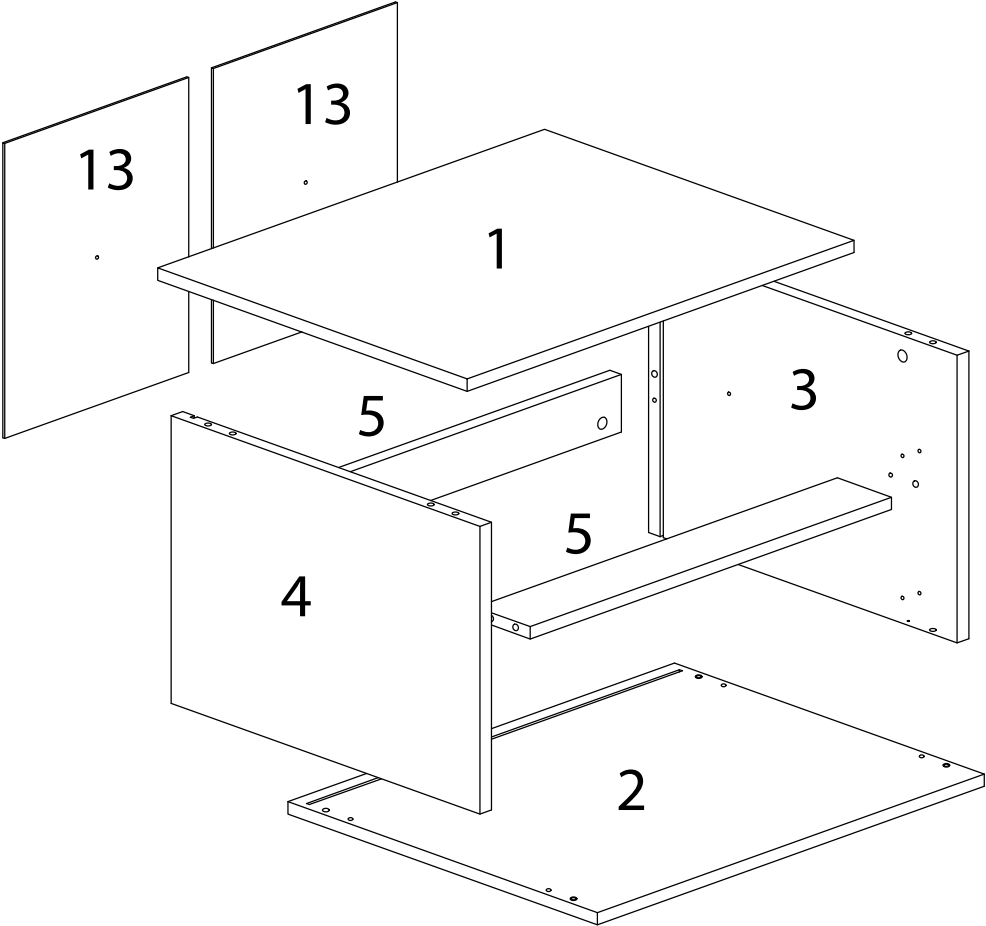
J X 4
Leg H125 x W38 x D38mm
M8 out 12mm-Natural 7487



K X 2sets
Drawer Slide 300mm

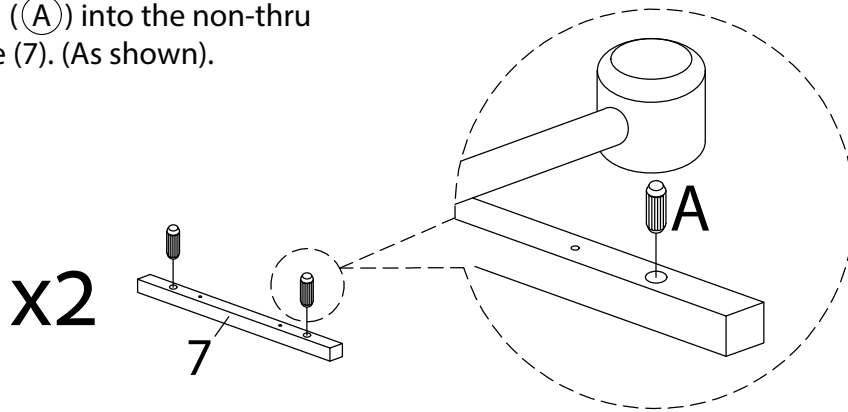


Assembly



Step 1

Insert Wood Dowel (A) into the non-thru holes of the Handle (7). (As shown).



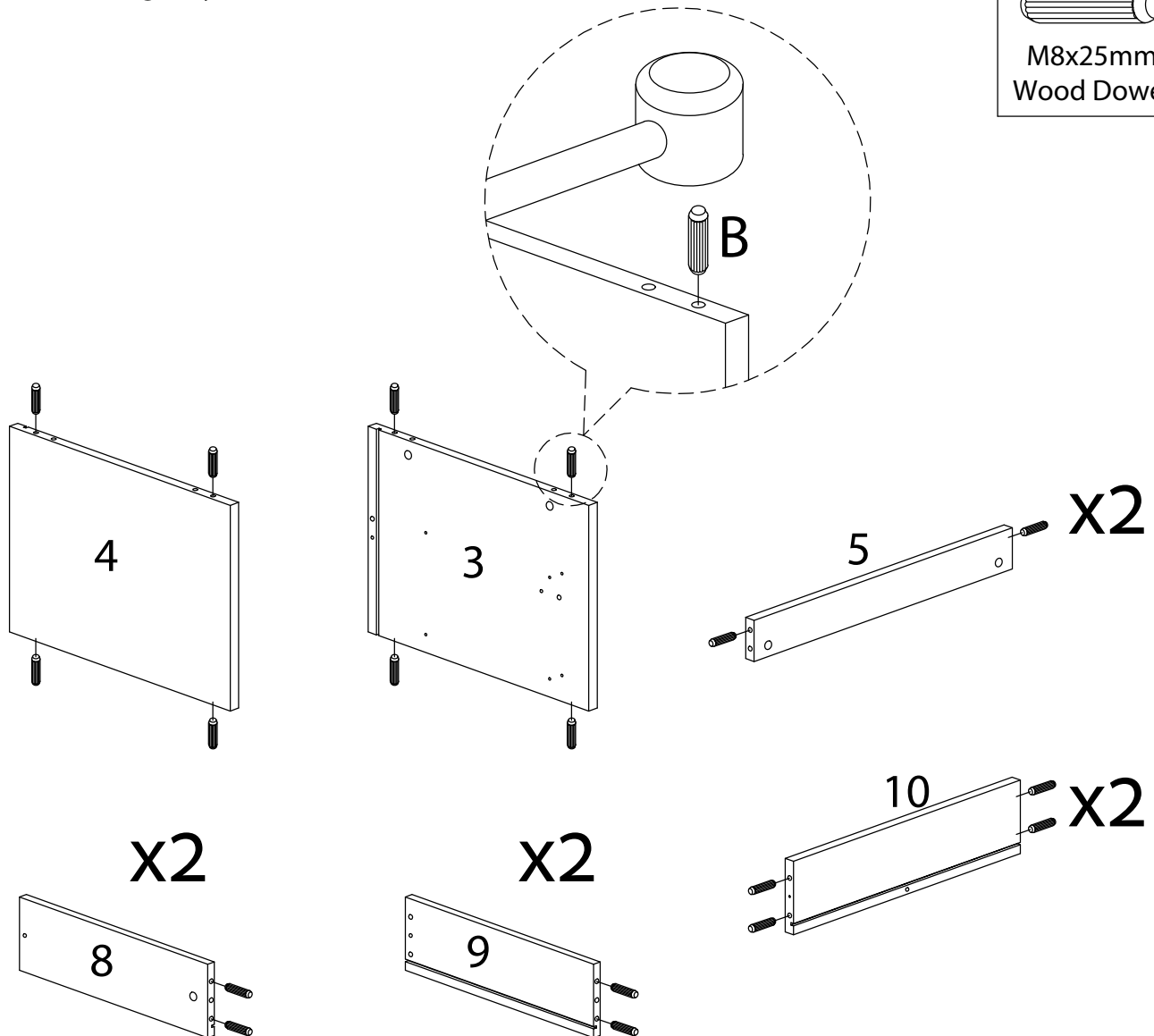
(A) x 4



M8x20mm
Wood Dowel

Step 2

Insert Wood Dowel (B) into the non-thru holes of the Panel (3, 4, 5, 8, 9 & 10) by hammer. Knock it in gently. (As shown).







(B) x 28

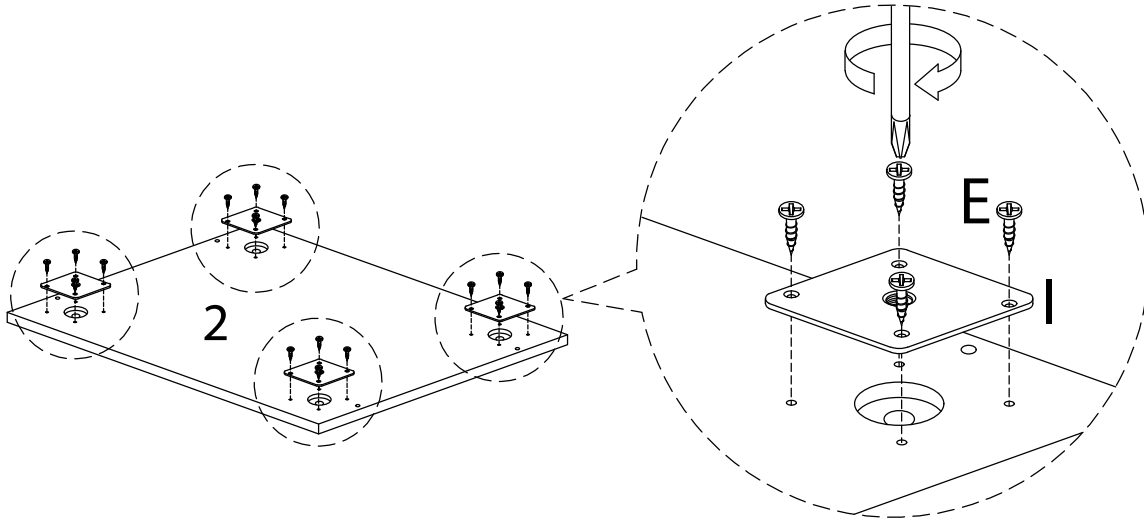


M8x25mm
Wood Dowel

Step 3


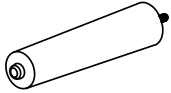
Install hardware (I) onto bottom panel (2) with 4pcs of screw (E), as shown.

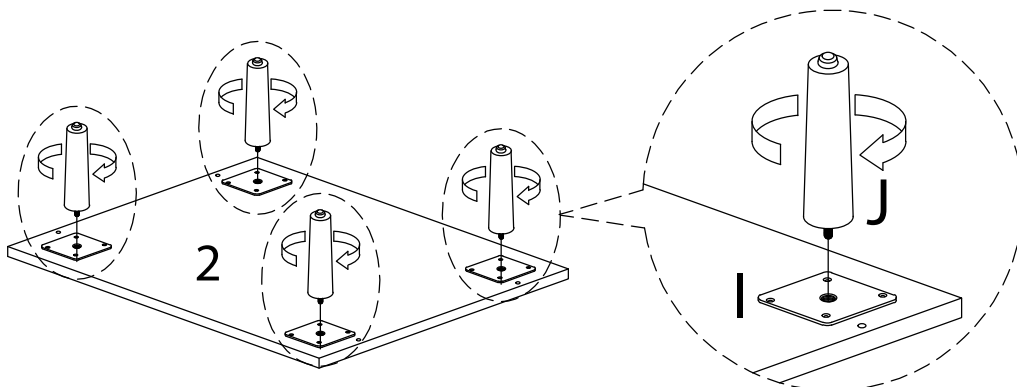
 x 16	 x 4
 M3.5x16mm Screw	 Metal Support Leg (63x63xM8)



Step 4



Install leg (J) as shown.

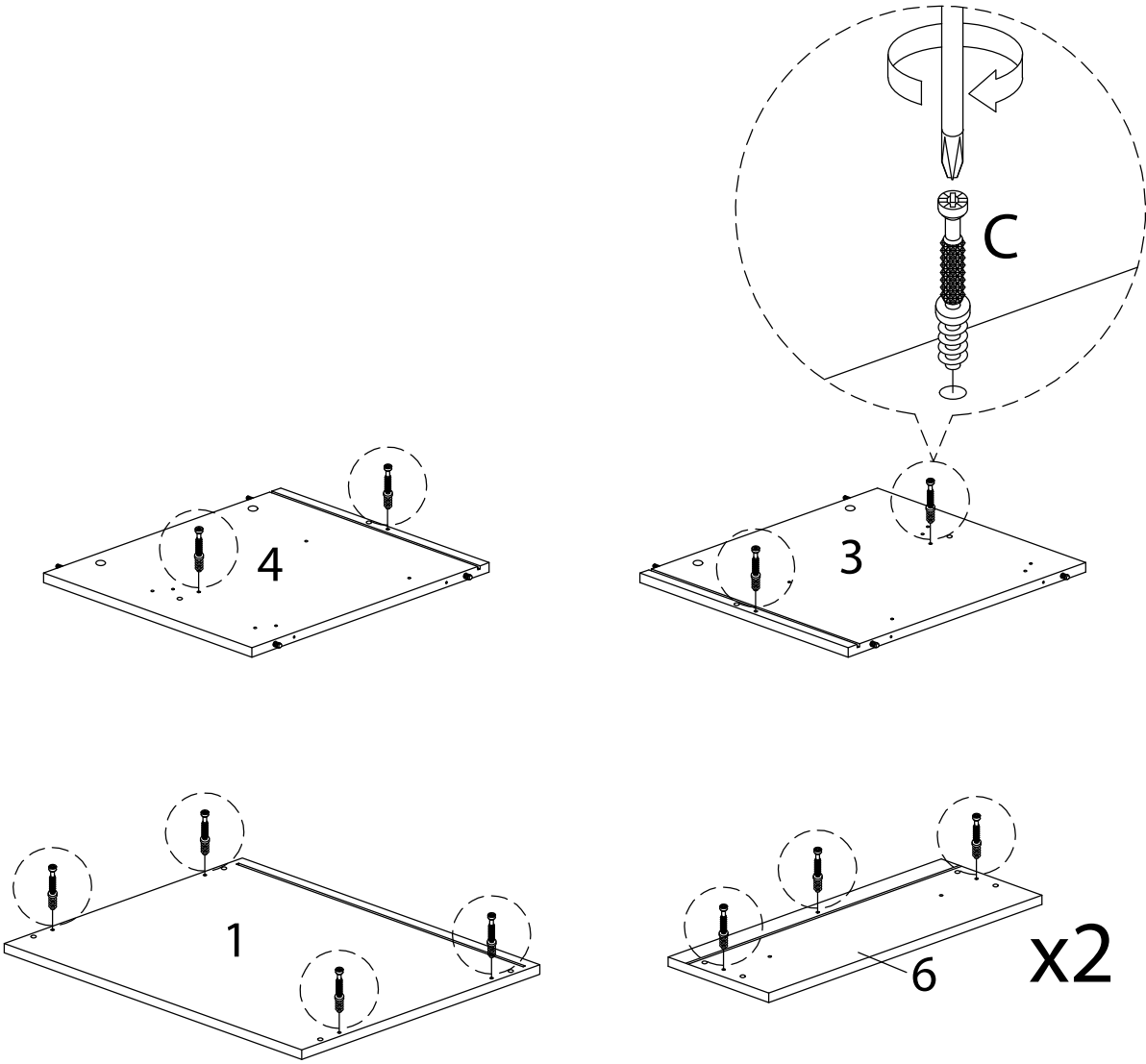
 x 4
 Leg H125xW38xD38mm M8 Out 12mm-Natural 7487



Step 5

Insert minifix ((C)) into the non-thru holes of the panel (1, 3, 4 & 6). (As shown).


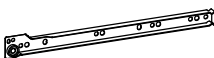
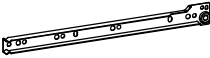
 x 14

Minifix

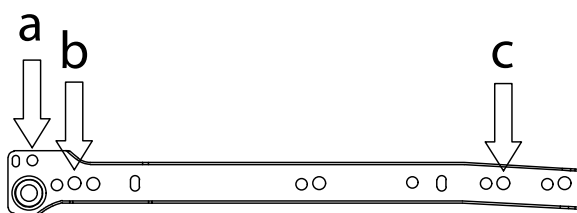
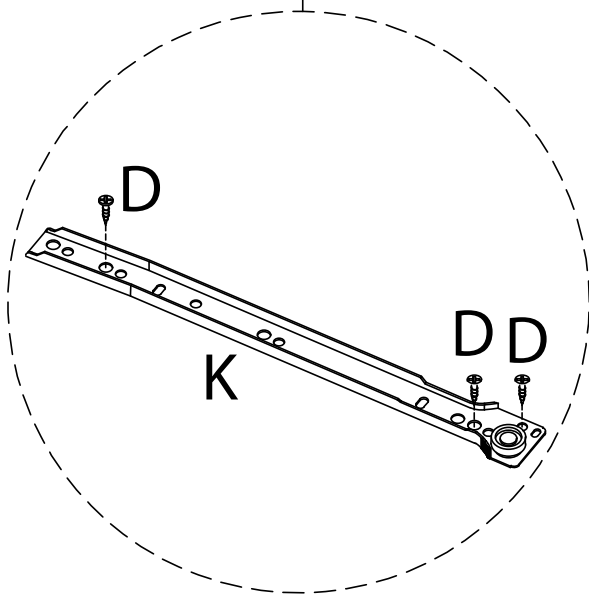
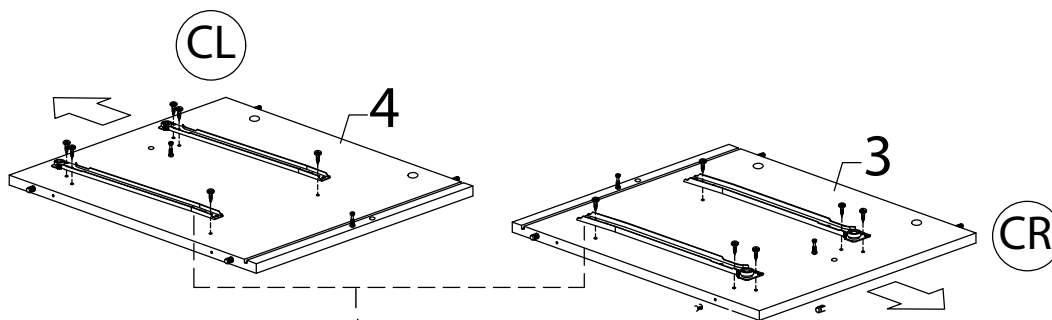


Step 6

Install CL on panel (4) and CR on panel (3) strictly following the detail sketch. (As shown)

Note : Please find the steel seal of CL, CR on rails.

(D) x 12	(K) x 2	(K) x 2
		
M3.5x12mm Screw	Drawer Slide CL	Drawer Slide CR

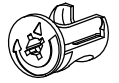


- # Screw in hole a, b and c
- # CL for panel (4)
- # CR for panel (3)
- # Find the steel seal of CL, CR, DL, DR on rails.

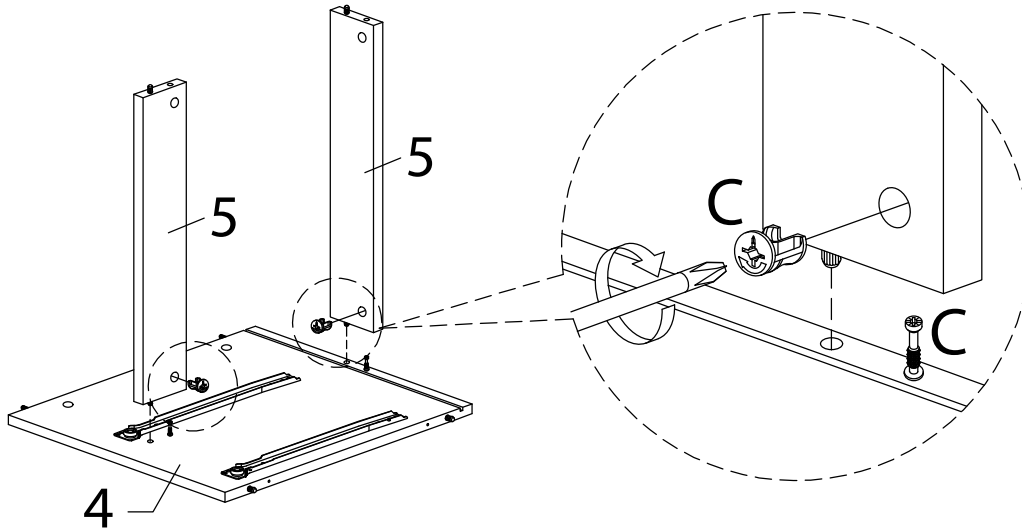
Step 7

Connect both panels (5) onto panel (4). Insert minifix (C) into predrilled holes of panel (5). Tighten by turning clockwise in order to lock minifix up. (As shown).

C x 2



Myfix



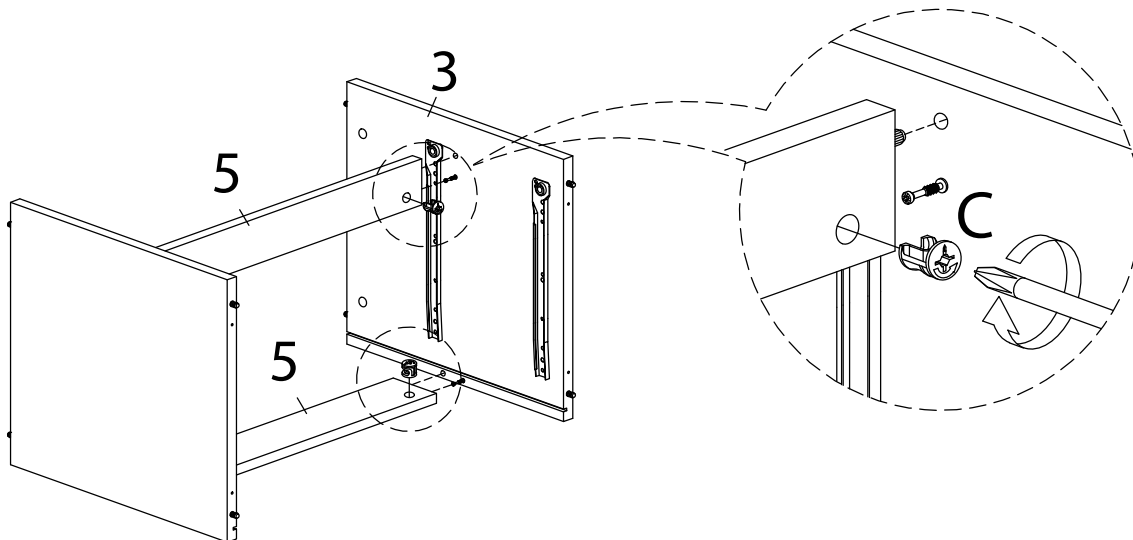
Step 8

Attach panel (3) onto both panels (5). Insert minifix (C) into predrilled holes of panel (5). Tighten by turning clockwise in order to lock minifix up. (As shown).

C x 2



Myfix



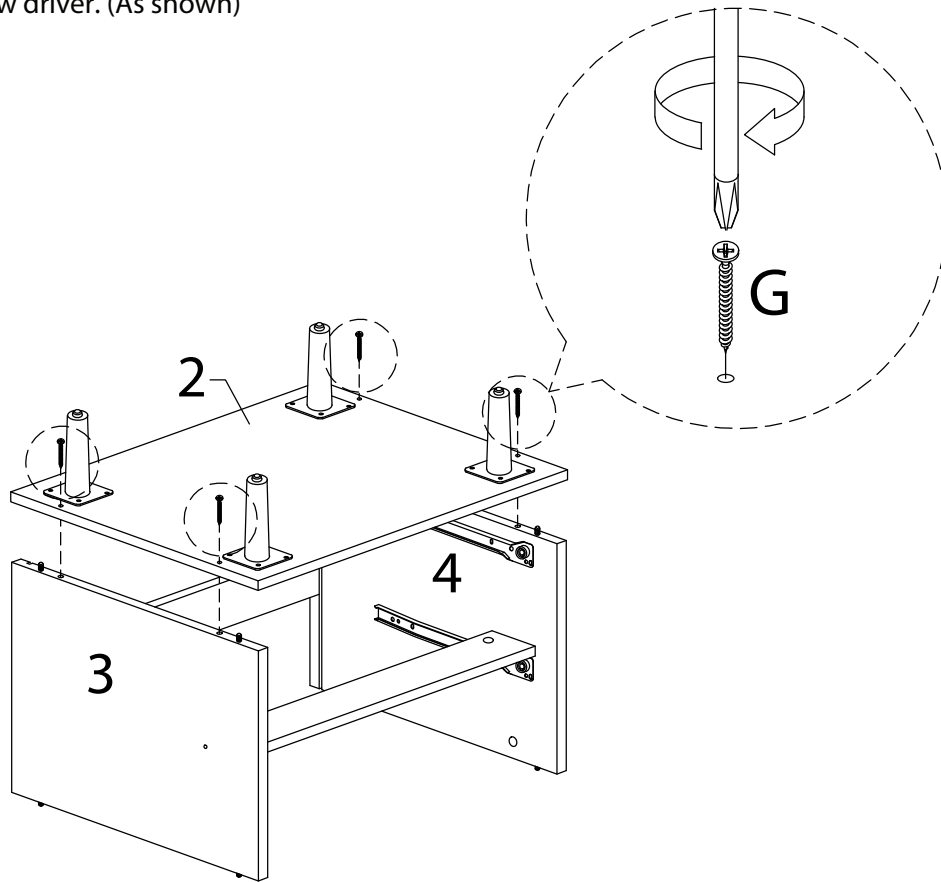
Step 9

Turn the drawer upside down. Attach panel (2) onto panel (3) & (4).
Align the bottom panel (2) onto wood dowels by using screw (G).
Fully Tighten with screw driver. (As shown)

G x 4

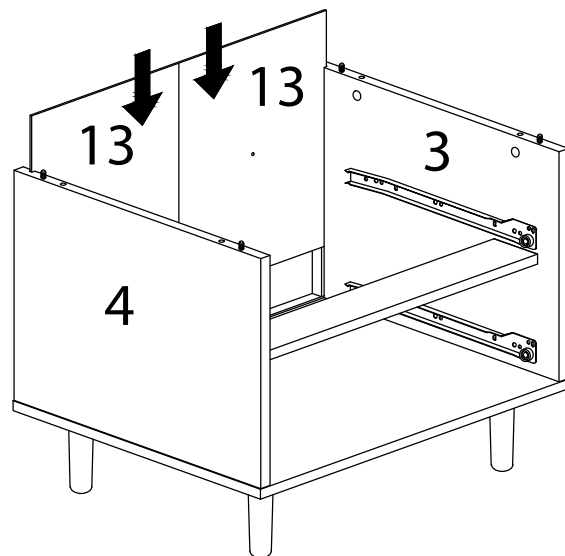


M4x45mm
Screw



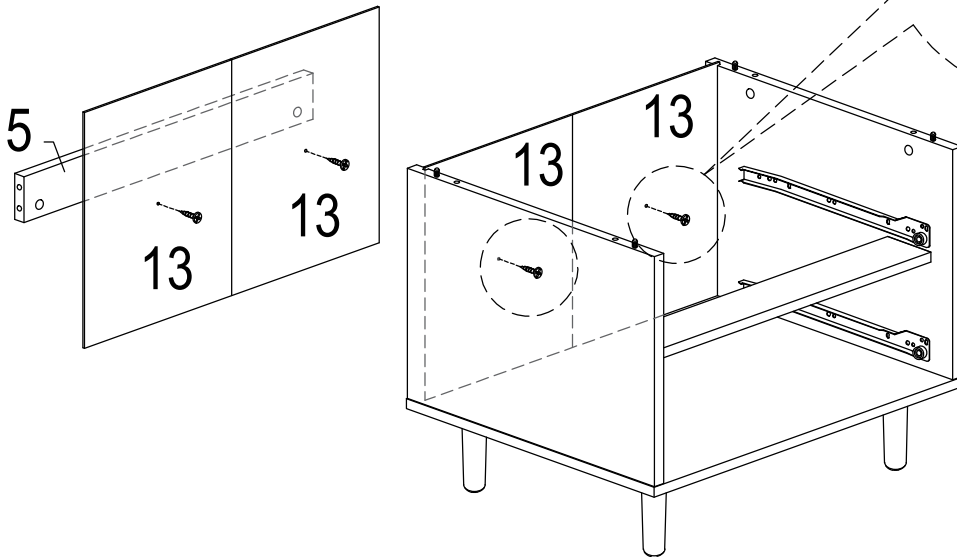
Step 10

Slot in 2pcs back panel (13) into groove of both side panel (3) & (4), as shown.



Step 11

Fasten screw (D) between panel (5) & (13) as shown.



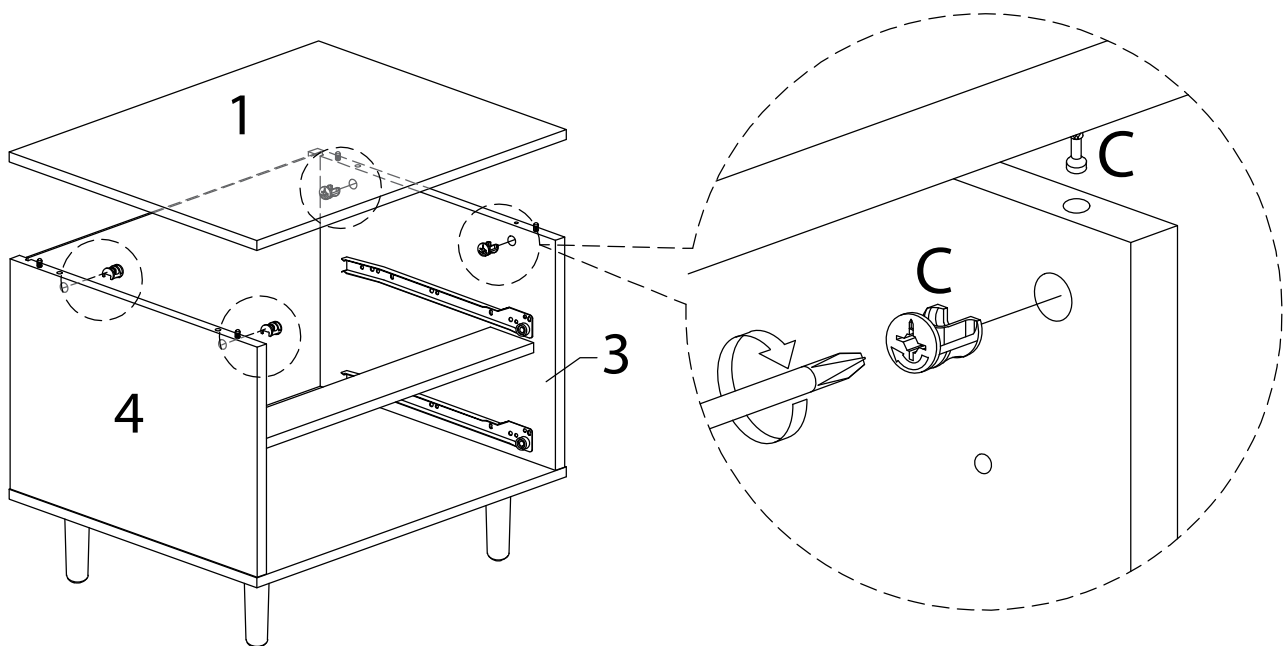
(D) x 2



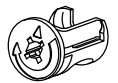
M3.5x12mm
Screw

Step 12

Attach panel (1) onto panel (3) & (4). Align the panel (1) firmly onto wood dowels. Insert minifix (C) into pre-drilled holes of panel (3) & (4). Tighten by turning clockwise in order to lock minifix up by going underneath panel (1), as shown.

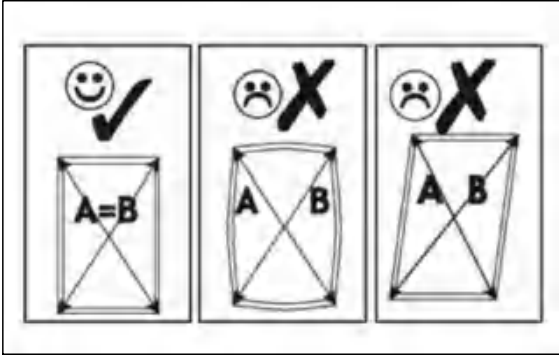


(C) x 4







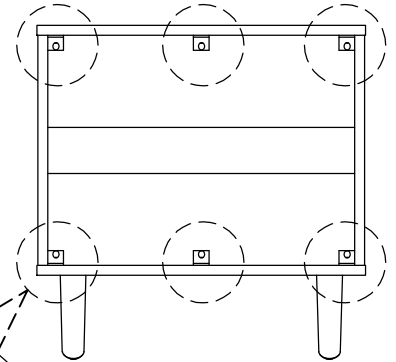
Myfix

Step 13



ATTENTION PLEASE :Please ensure the structure is straight and level and all panels are at right angles before installing the back buckles, **MUST** install back buckles to strengthen product stability.



 E x 6	 H x 6
 M3.5x16mm Screw	 Pyramid Angle Corner Block

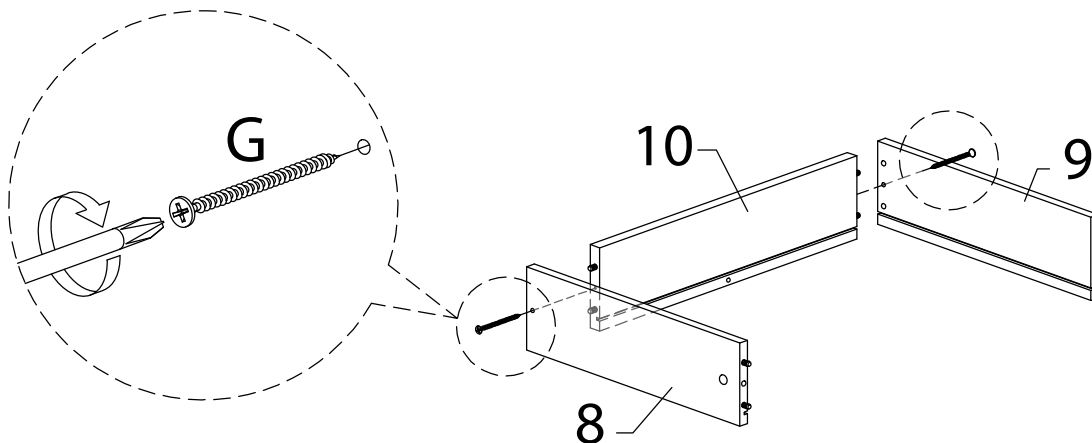


Back View

Step 14

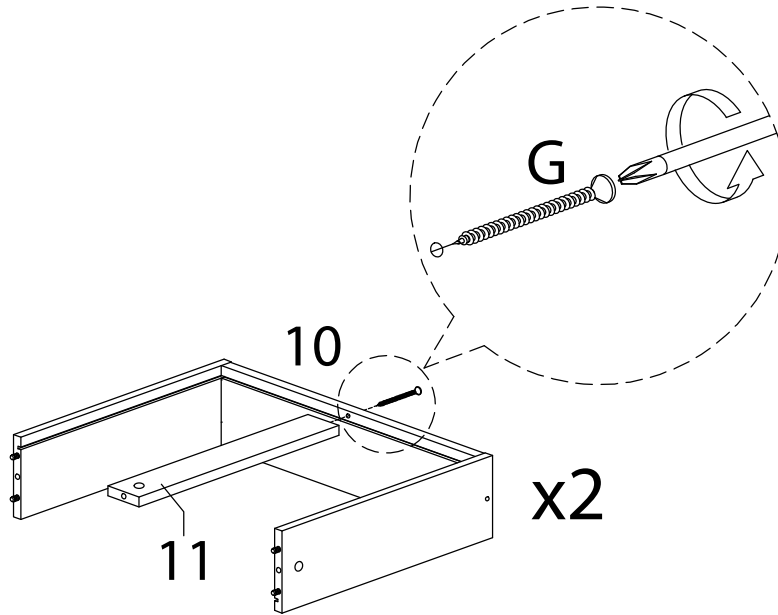
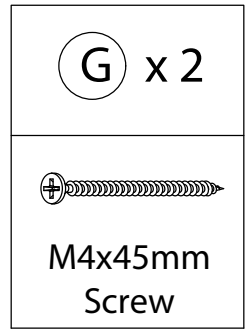
Assemble panel (8) & (9) onto panel (10) by slightly hammering the wood dowels. Insert screw (G) & fully tighten with screw driver. (As shown)

 G x 4
 M4x45mm Screw



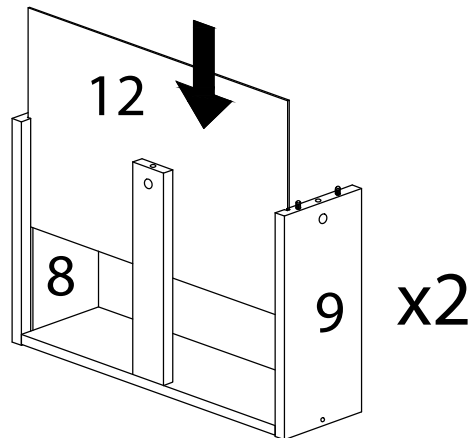
Step 15

Attach panel (11) onto panel left (10). Insert the screw (G) and fully tighten with screw driver. (As shown)



Step 16

Slot in panel (12) into groove at panel (8) & (9) as shown.



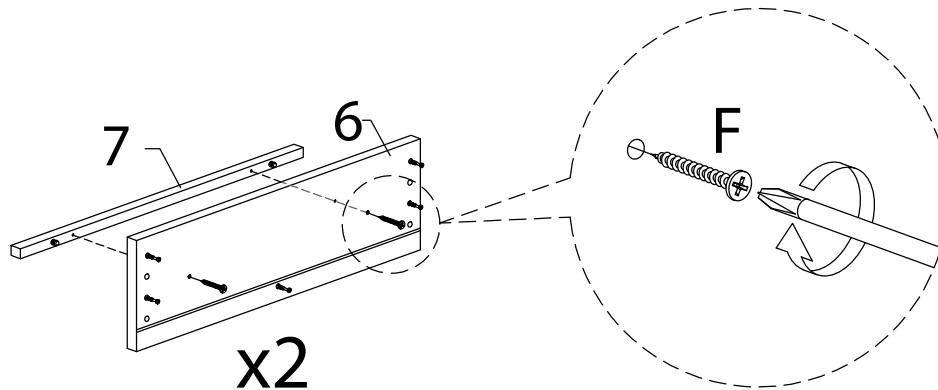
Step 17

Attach handle (7) onto panel (6). Insert screw (F) & fully tighten with screw driver. (As shown).

(F) x 4



M4x28mm
Screw



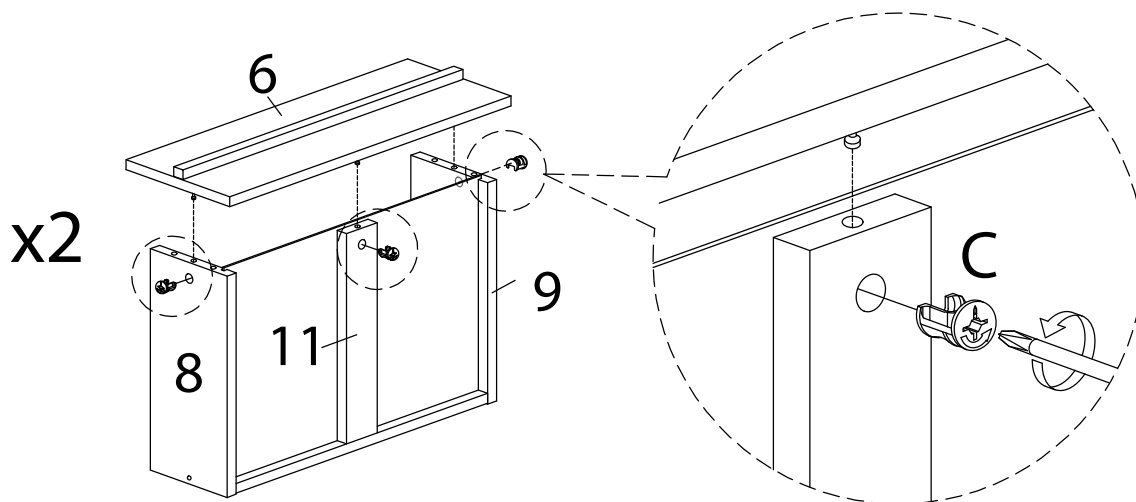
Step 18

Attach panel (6) onto panel (8), (9) & (11) by slightly hammering the wood dowels. Insert minifix (C) & tighten them clockwise in order to lock minifix (C) up. (As shown).

(C) x 6




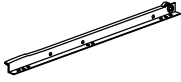

Myfix

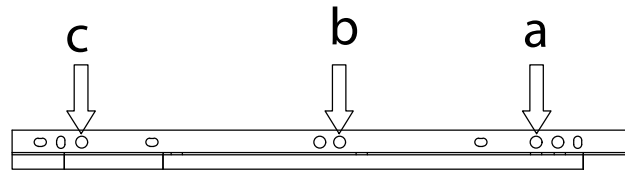
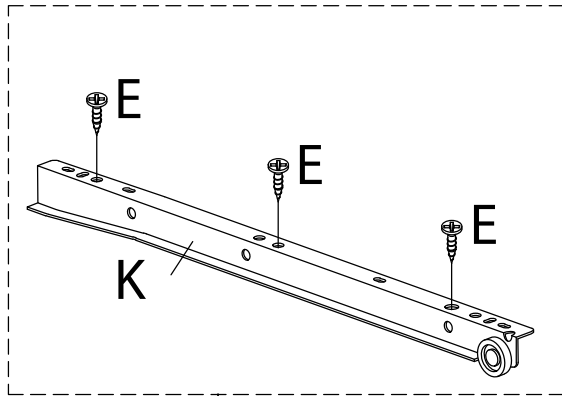


Step 19

Install DL on panel (8) and DR on panel (9) strictly following the holes as shown detailed picture.

Note : Please find steel seal of CL, CR, DL, DR on rail.

ⓔ x 12	Ⓚ x 2	Ⓚ x 2
		
M3.5x16mm Screw	Drawer Slide DL	Drawer Slide DR

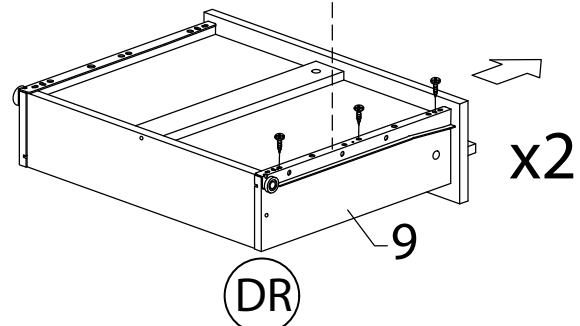
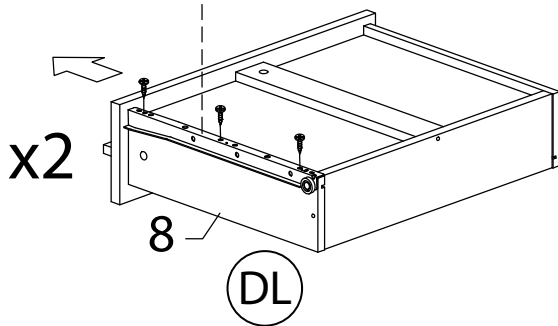


Screw in hole a, b and c

DL for panel ⑧

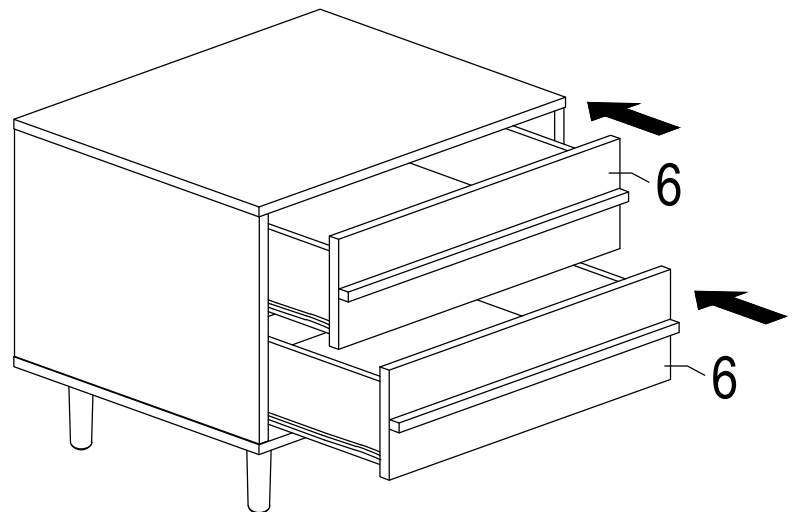
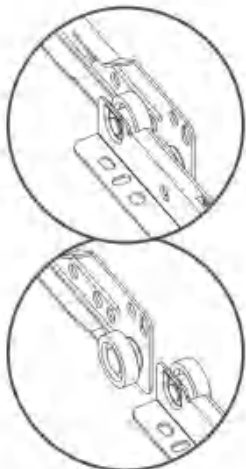
DR for panel ⑨

Find steel seal of CR, CL, DR, DL on rails.



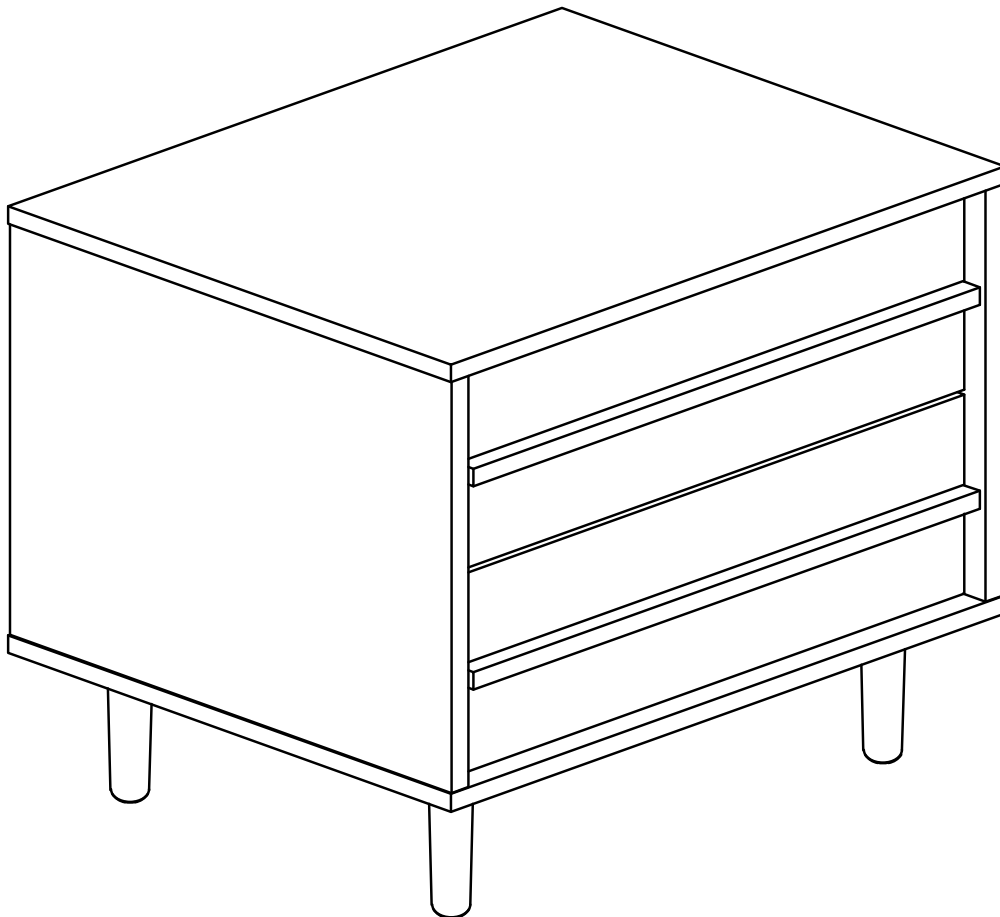
Step 20

Take the drawer, and slide in **The white rollers at drawer slide at both side of drawers are to go into the track of the slide at each side panel.**



VOILA!

Now enjoy.



Warning

DO NOT stand or sit on the table as this may damage the product and cause serious bodily injury.

Something not right?

We are always here to help.

We make mistakes like every human does.

Though we always strive to provide the best possible products at competitive prices and the best service in the industry, it's not possible to completely eliminate mistakes. If you experience any dissatisfaction, feel free to contact us immediately. Our in-house customer care team will respond ASAP.

Things to do to expedite the process

- Have your order# ready
- Take photos/videos to help us better identify the issues
- DO NOT throw away the packaging