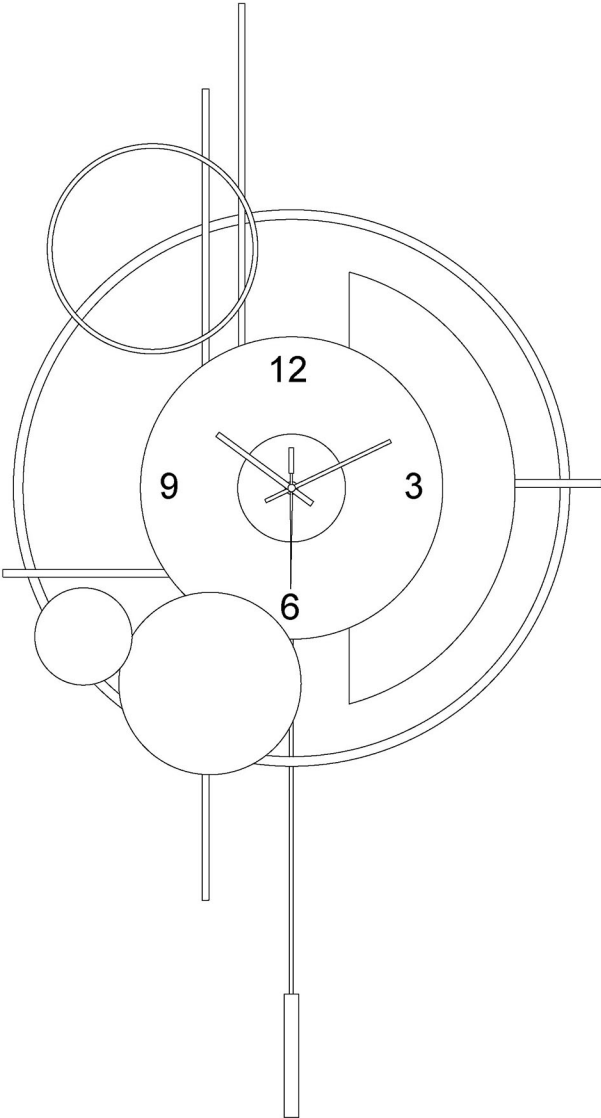


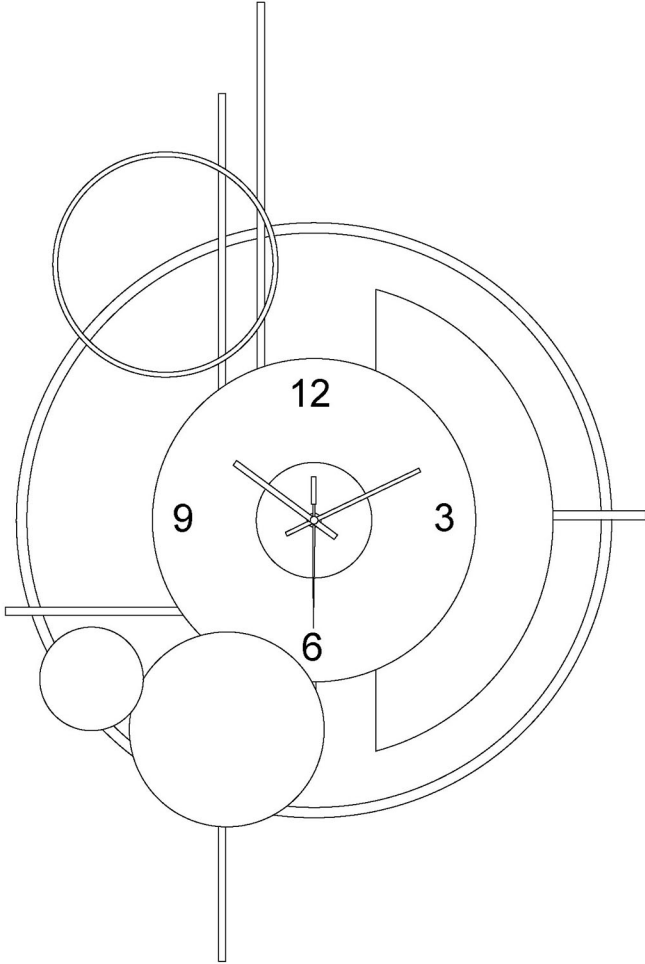
**Product Manual**



**Wall Clock**

# Parts List

Ax1

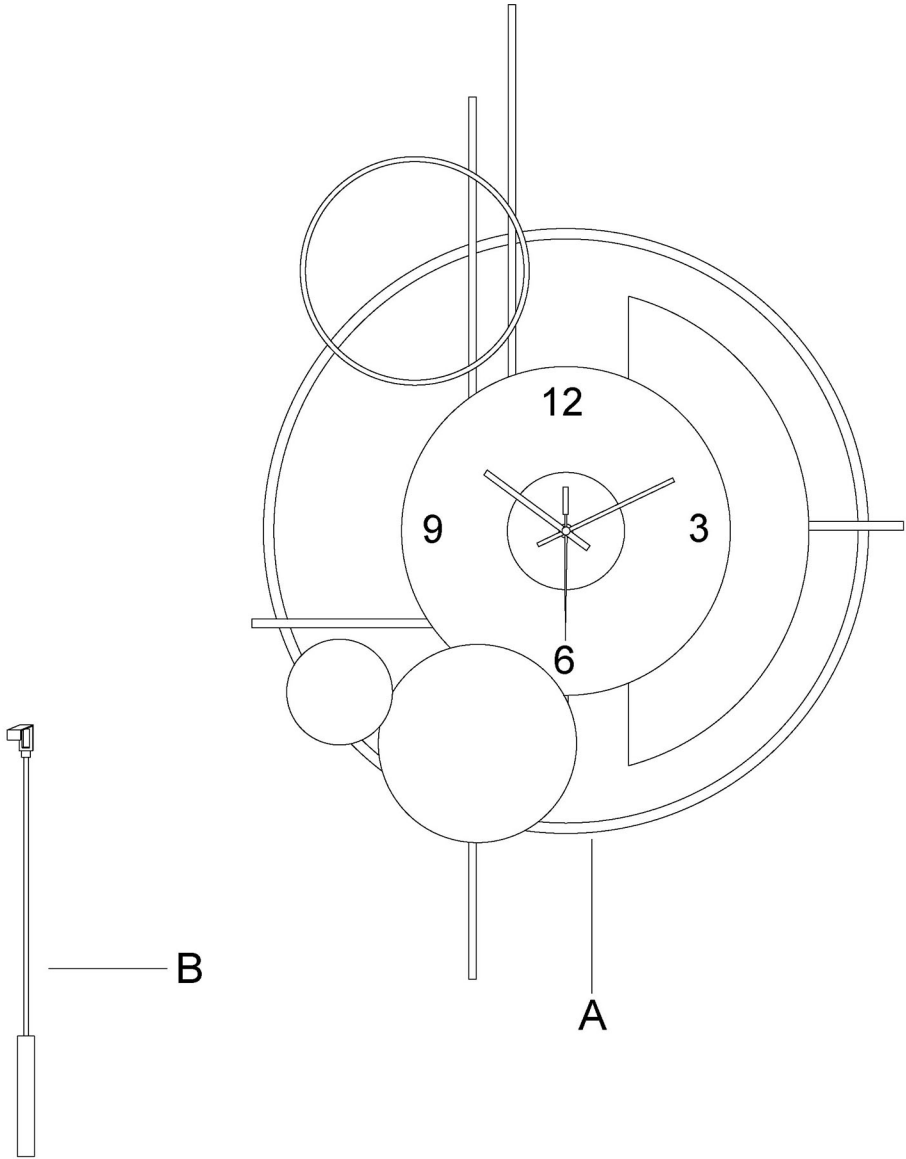


Bx1

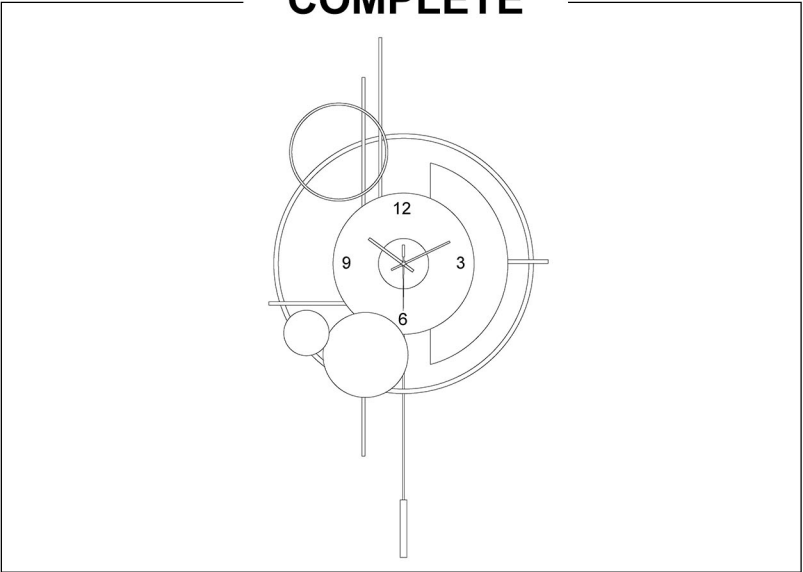


# Exploded Views

**EXPLODED**

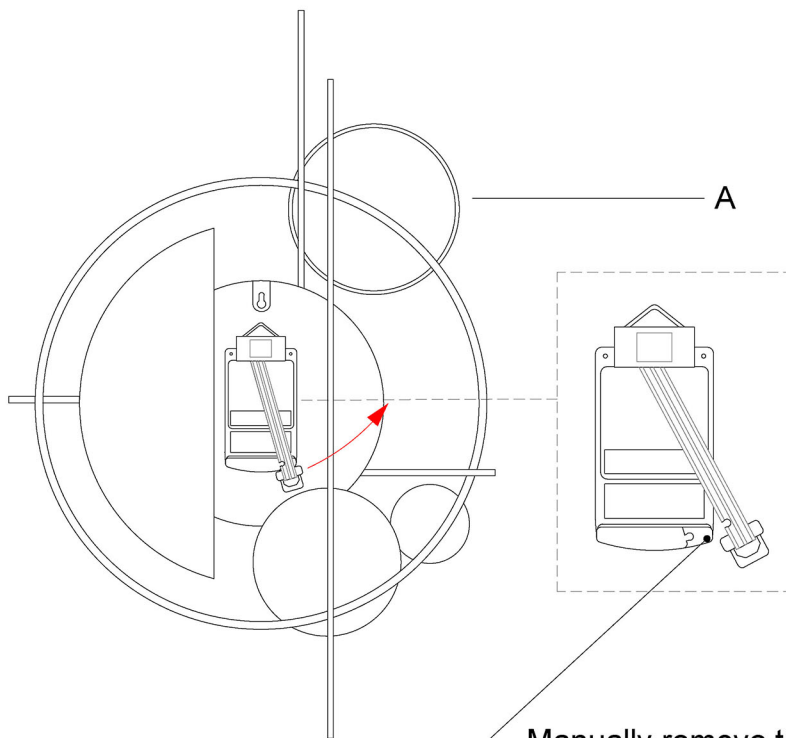


**COMPLETE**



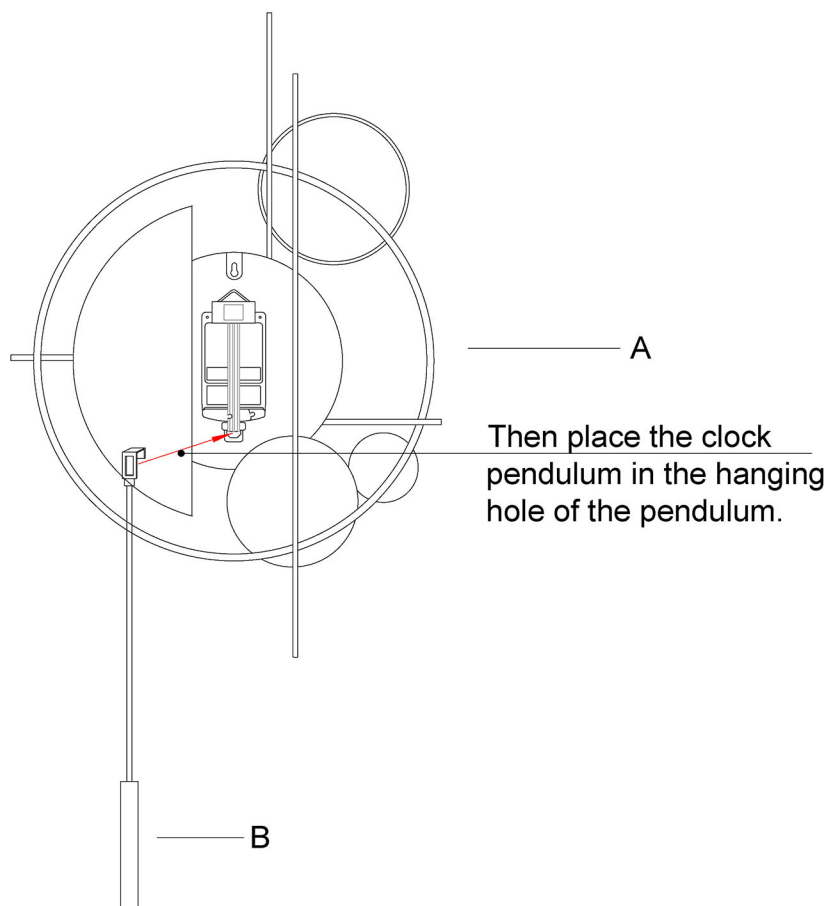
# Installation Steps

## Step 1



Manually remove the buckle on the back of the wall clock (refer to the schematic diagram for specific operation).

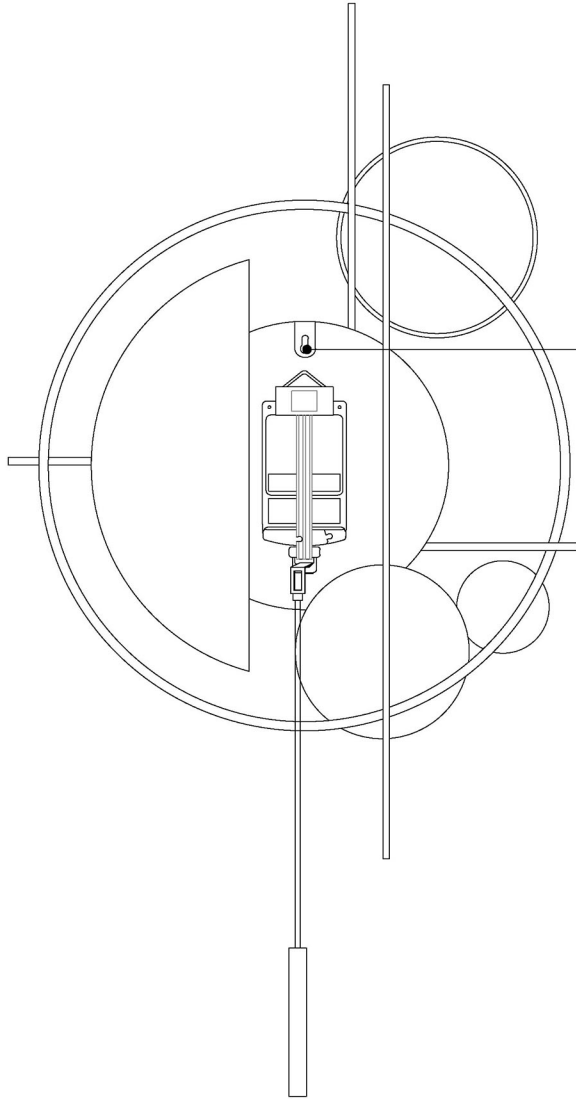
## Step 2



Then place the clock pendulum in the hanging hole of the pendulum.

## Installation Steps

### Step 3



Finally, put the hanging hole of the wall clock on the hanging position of the wall.