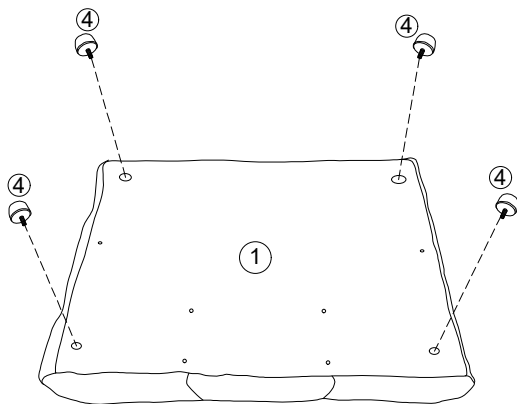
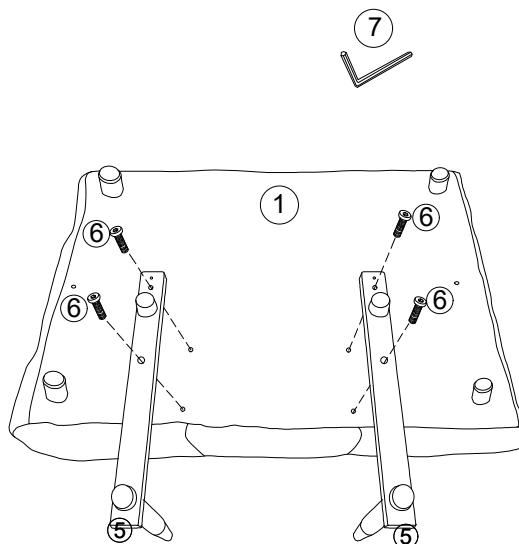


### step1



### step2

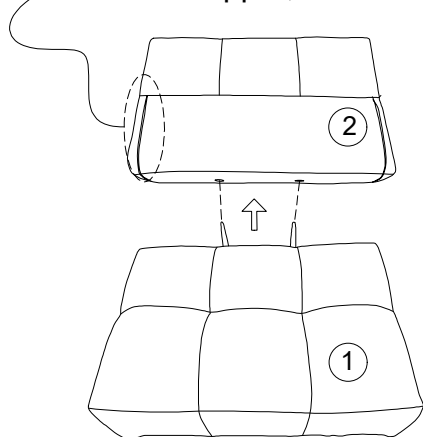


## Installation & Assembly

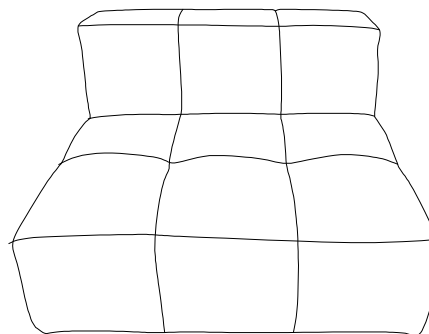
To avoid scratches and swallowing parts, please do not install by children!

### step3

Pay attention to the direction of one end of the zipper, inward



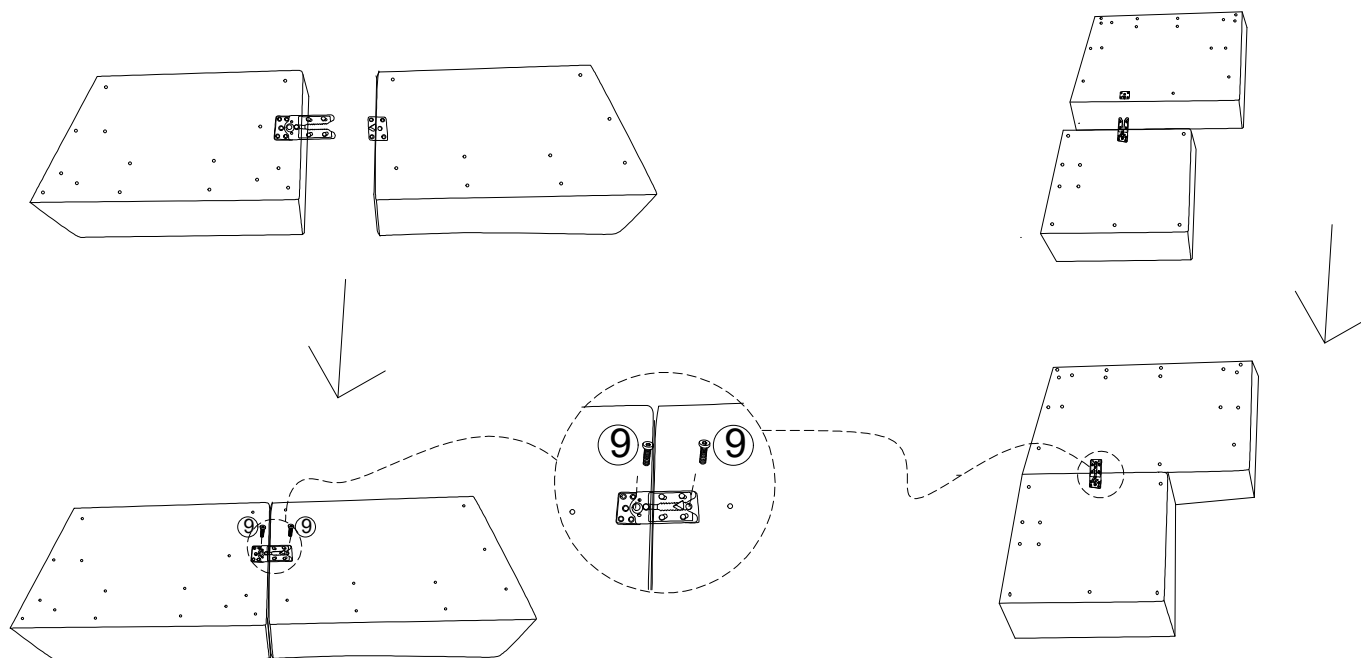
### step4



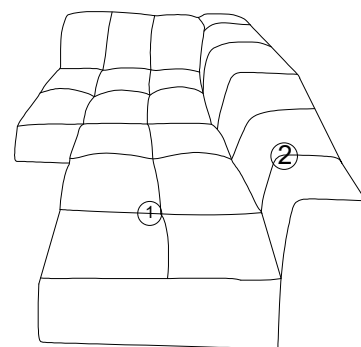
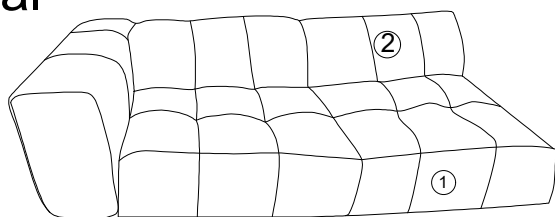
NO	Image	Parts Name	Size	Qty
①		Seat		1pcs
②		Backrest		1pcs
③		Back cushion		1pcs
④		Legs		4pcs
⑤		Support rods		2pcs
⑥		M8x40mm screw		4pcs
⑦		Hexagonal screw tap		1pcs
⑧		Connector		1pcs
⑨		M8x20mm screw		2pcs

## step5

Apply the connection buckles to connect the seats together (or not it's totally up to users).



## final



## Installation

To avoid scratches and swallowing parts, please do not install by children!

NO	Image	Parts Name	Size	Qty
①		Seat		1pcs
②		Backrest/Armrest		2pcs
③		Back cushion		1pcs
④		Legs		4pcs
⑤		Support rods		4pcs
⑥		M8x40mm screw		8pcs
⑦		Hexagonal screw tap		1pcs
⑧		Connector		1pcs
⑨		M8x20mm screw		2pcs