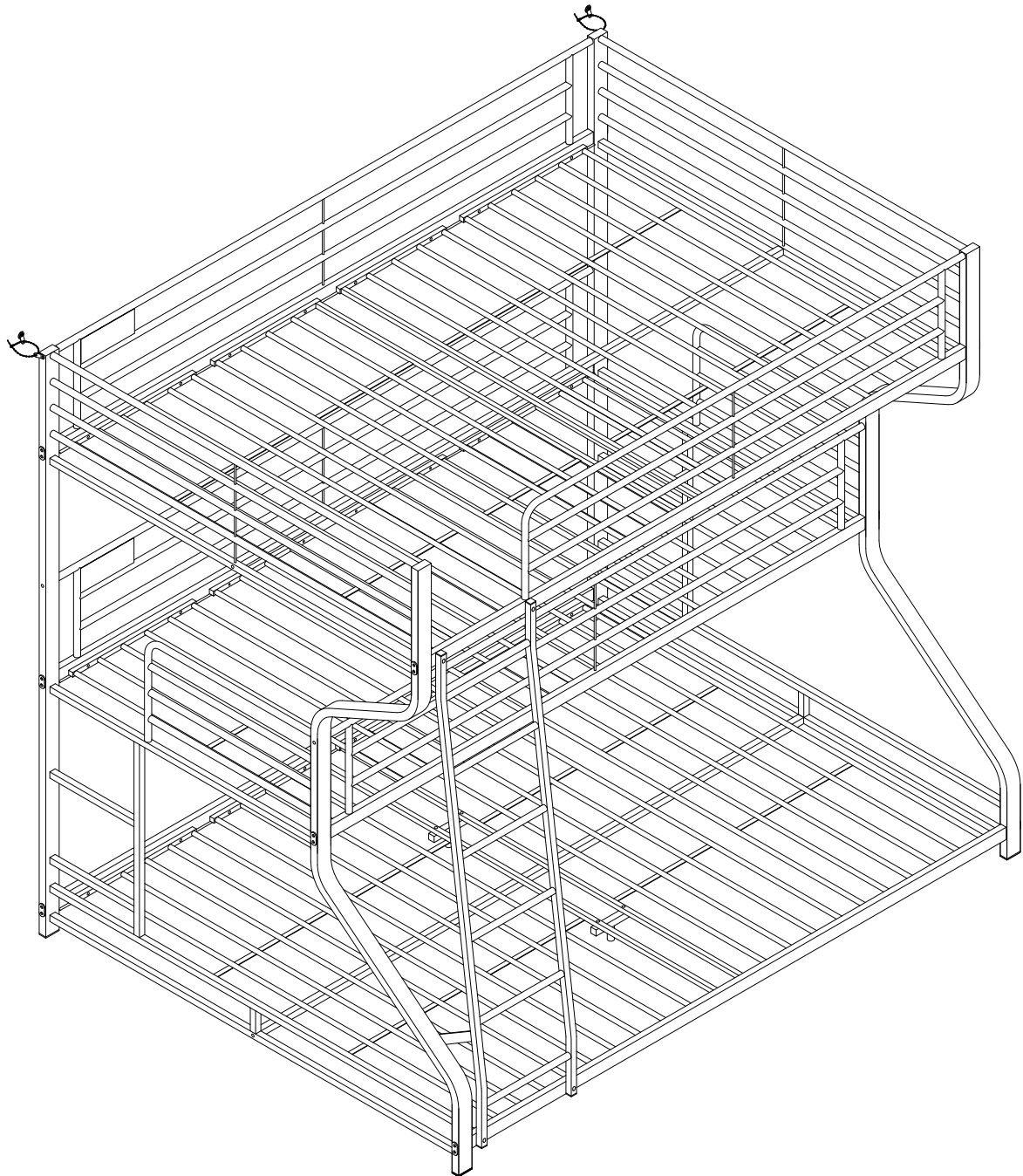
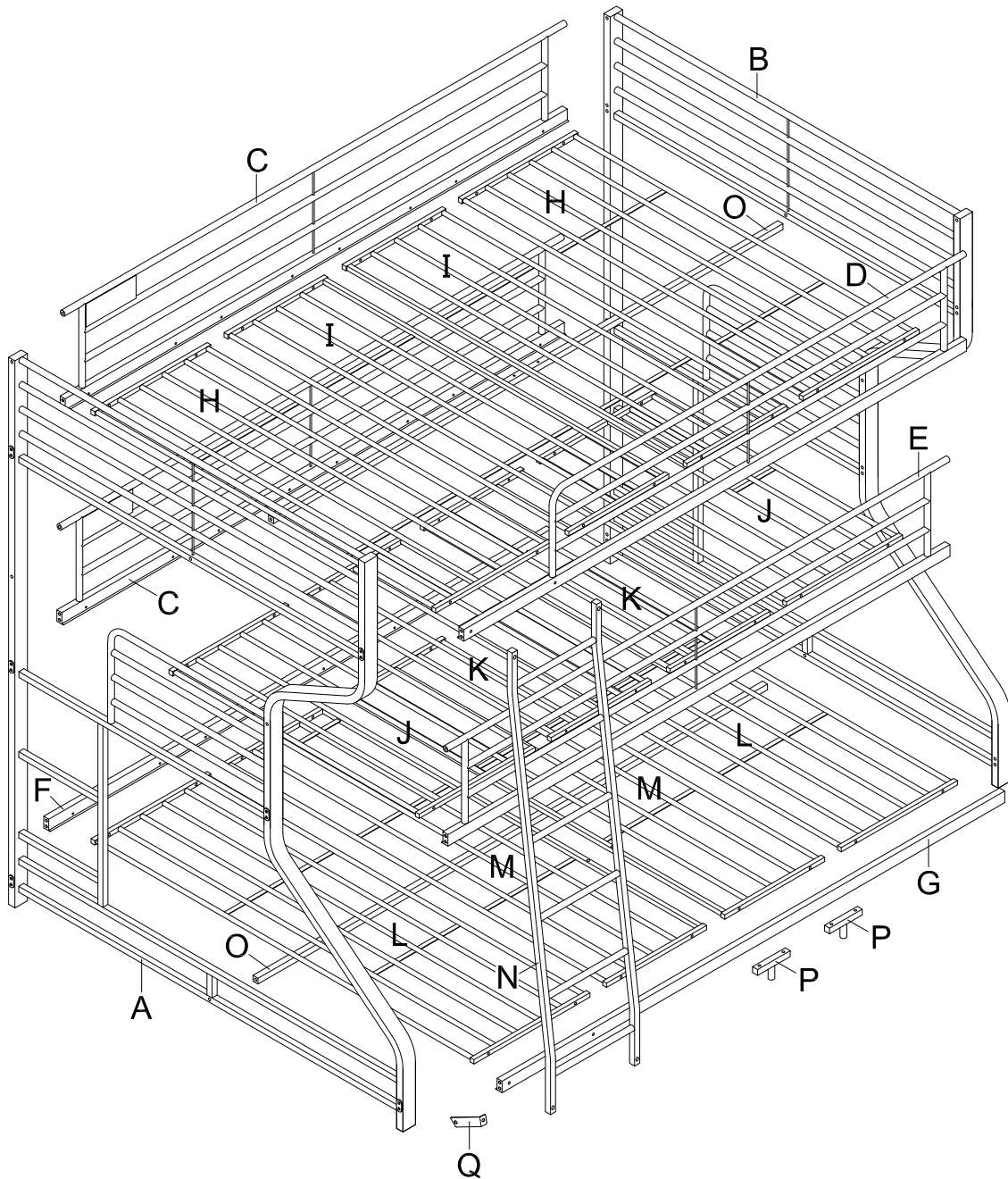


ASSEMBLY INSTRUCTIONS

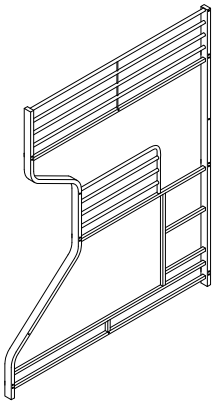

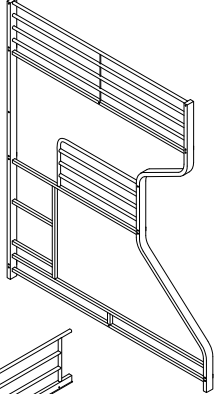
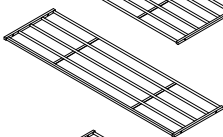
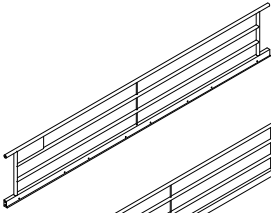
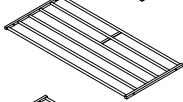
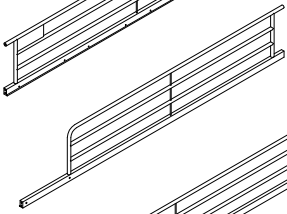
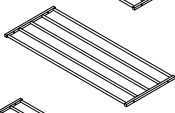
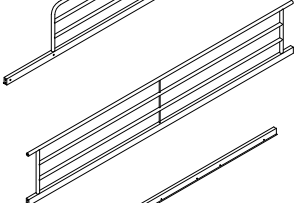
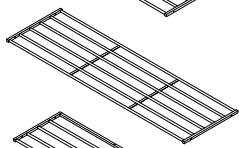
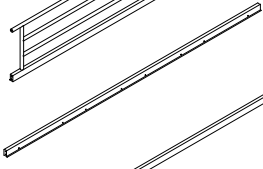
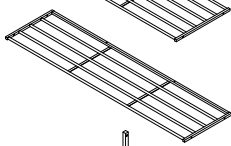
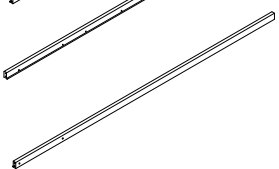
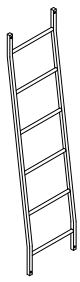
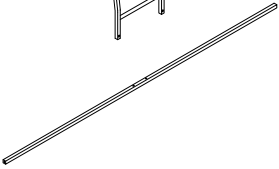
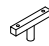
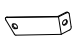


Do not tighten screws until completely assembled.

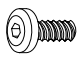
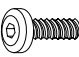
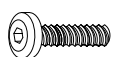

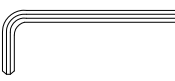

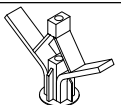

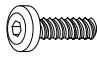


PARTS IDENTIFICATION

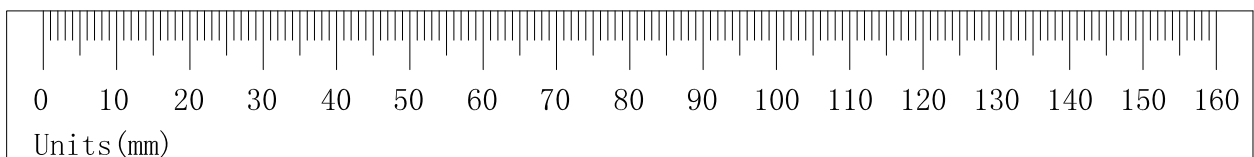


PARTS IDENTIFICATION

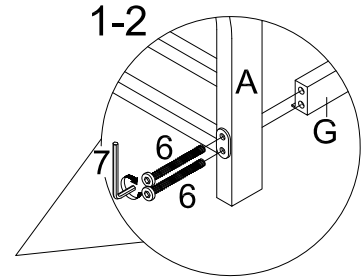
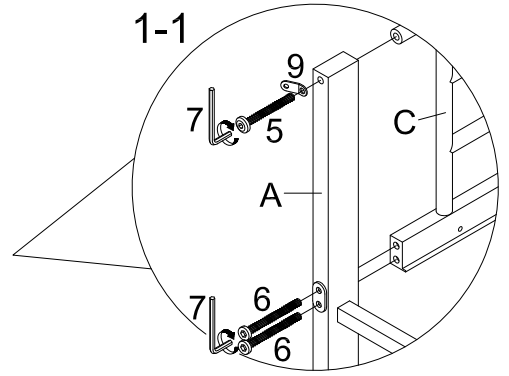
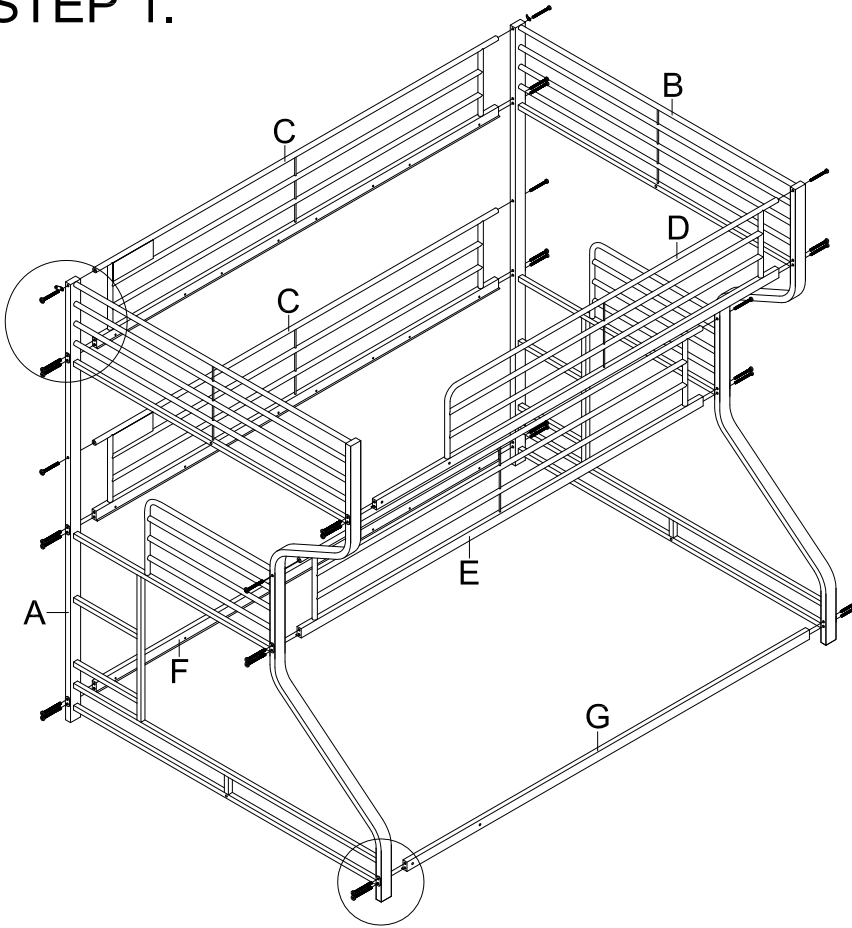
A		Left	1pc		H		2pcs
B		Right	1pc		I		2pcs
C			2pcs		J		2pcs
D			1pc		K		2pcs
E			1pc		L		2pcs
F			1pc		M		2pcs
G			1pc		N		1pc
					O		2pcs
					P		2pcs
					Q		1pc




HARDWARE LIST

1 M6x15		2pcs	2 M6x25		52pcs
4 M6x35		8pcs	5 M6x75		7pcs
7 4x4		1pc	8 M4x37		2pcs
10		2pcs	11		2pcs
3 M6x30		4pcs	6 M6x75		24pcs
9		4pcs			

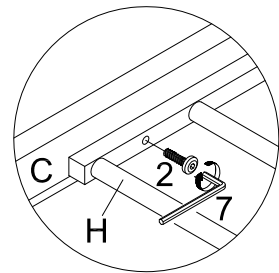
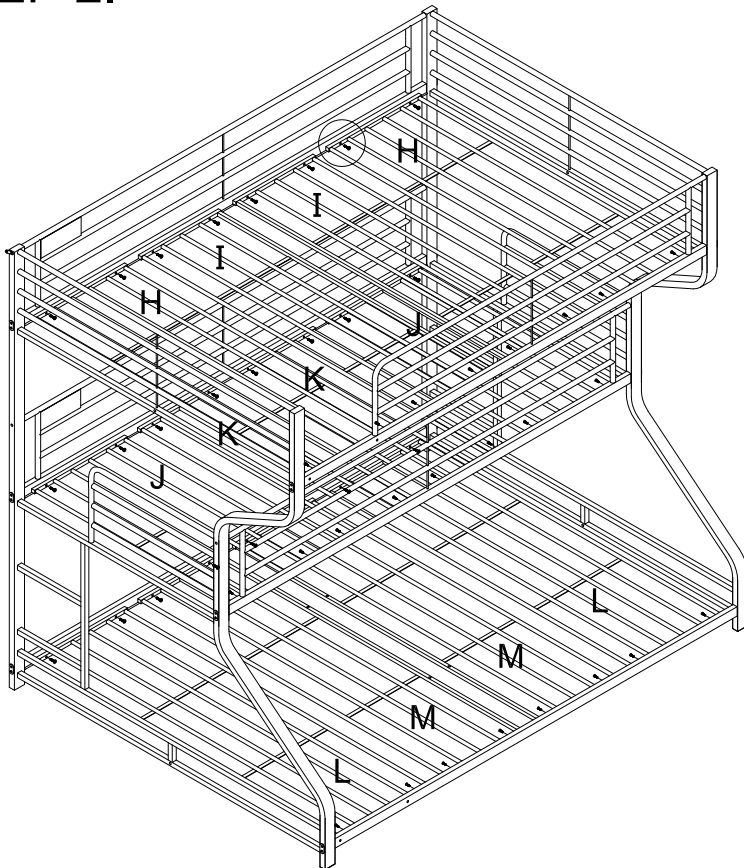



STEP 1.



5		7pcs
M6x75		
6		24pcs
M6x75		
9		2pcs

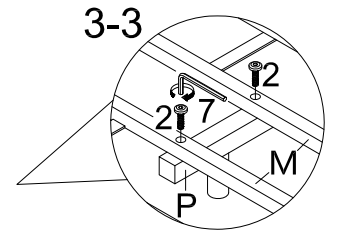
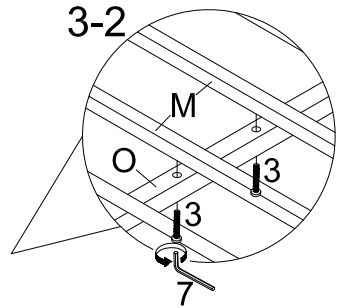
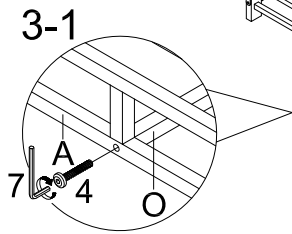
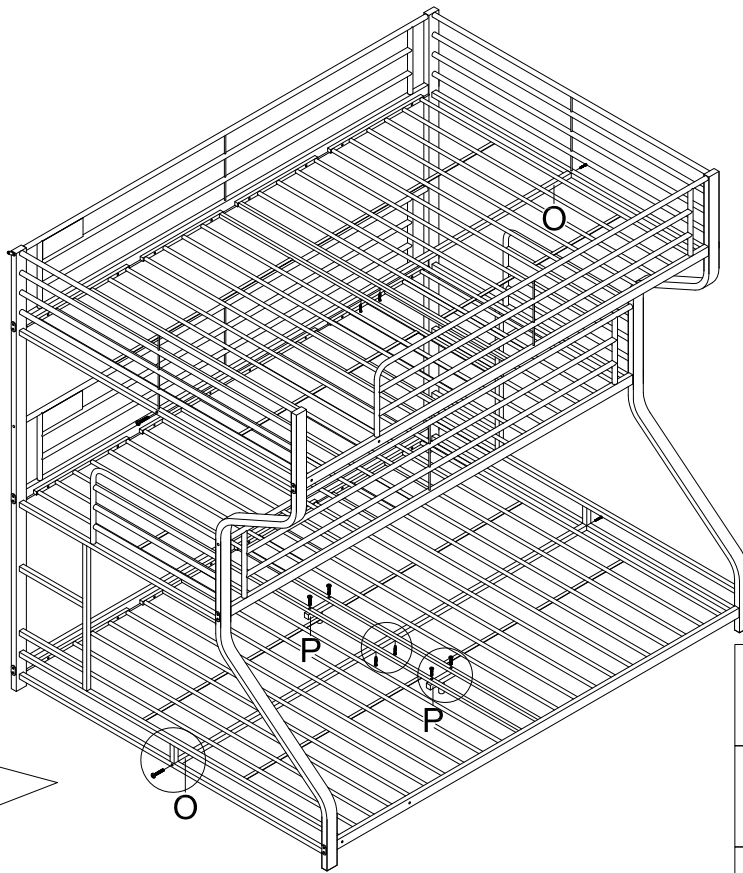
STEP 2.






2		48pcs
M6x25		

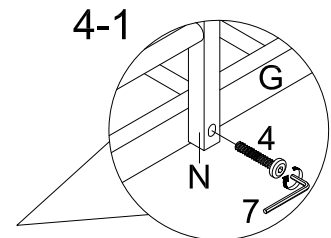
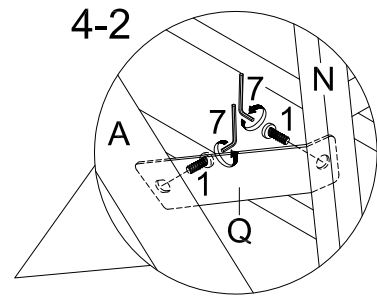
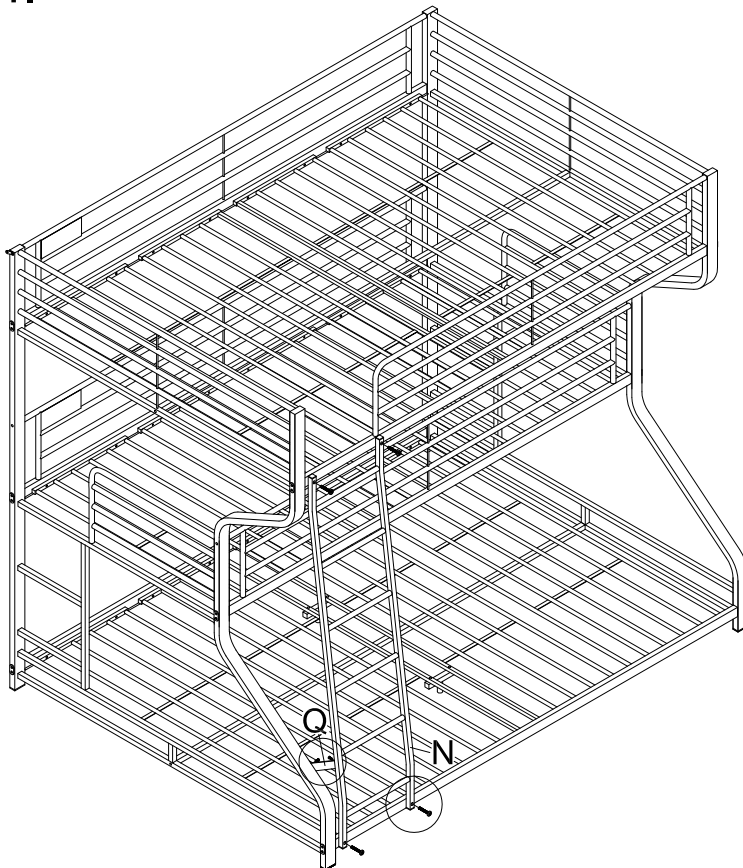
DO NOT TIGHTEN THE SCREWS UNTIL ASSEMBLING THE FINAL STEP.



STEP 3.



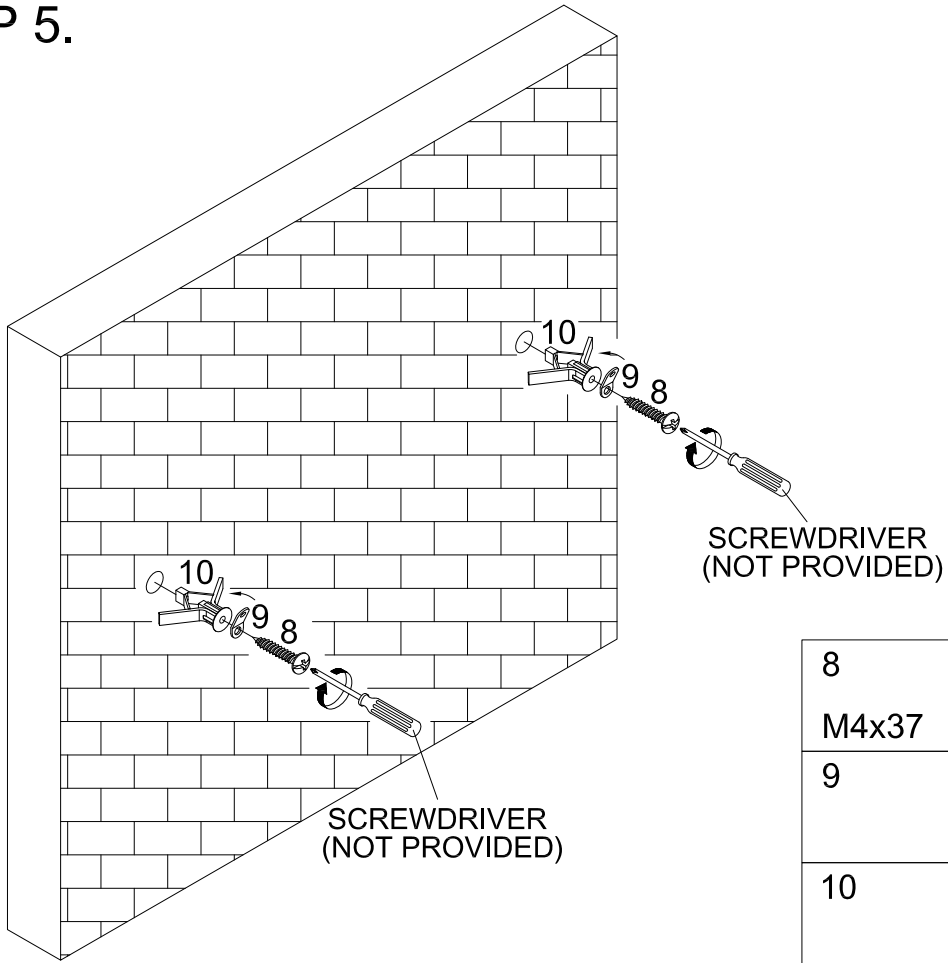
2		4pcs
M6x25		
3		4pcs
M6x30		
4		4pcs
M6x35		



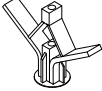
STEP 4.



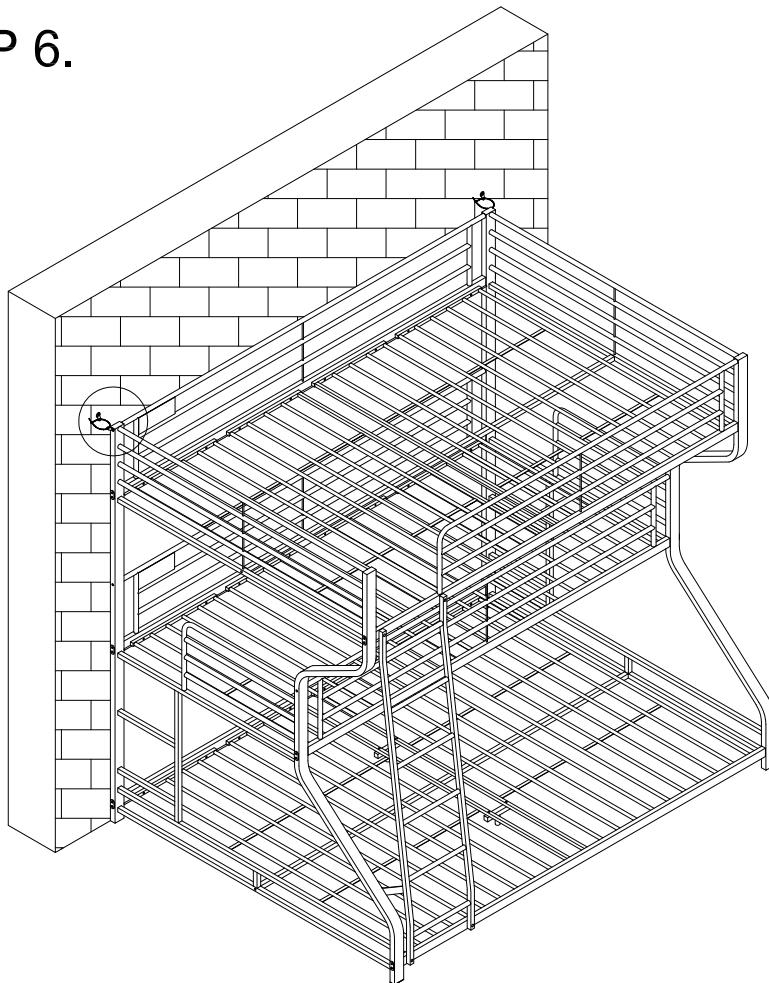
1		2pcs
M6x15		
4		4pcs
M6x35		

STEP 5.

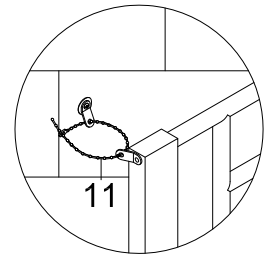



8		2pcs
M4x37		
9		2pcs
10		2pcs

STEP 6.



To Prevent Tip over
Product Must Be
Attached To Wall



11		2pcs
----	---	------

Safety Warnings

1. Follow the information on the warnings appearing on the upper bunk end structure and on the carton . Do not remove warning label from bed.
2. Always use the recommended size mattress or/and mattress support to help prevent the likelihood of entrapment or falls.
3. Surface of mattress must be at least 5 in. below the upper edge of guardrails .
4. Do not allow children less than 6 years of age to use the upper bunk.
5. Periodically check and ensure that the guardrail, ladder ,and other components are in their proper position ,free from damage ,and that all connectors are tight .
6. Prohibit horseplay on/or under the bed and prohibit jumping on the bed.
7. Always use the ladder for entering and leaving the upper bunk.
8. Do not use substitute parts ,Contact manufacturer or dealer for replacement parts.
9. Use of a night light may provide added safety precaution for a child using the upper bunk.
10. Always use guardrails on both long sides of the upper bunk.
11. If the bunk bed will be placed next to a wall, the guardrail that runs the full length of the bed should be placed against the wall to prevent entrapment between the bed and the wall.
12. The use of water or sleep flotation mattress is prohibited .
13. Keep these instructions for future reference.
14. Use only the mattress is 78-3/4"x54" x5" in the upper and middle need 78-3/4"x39" x5" and lower berths required 78-3/4"x60" x5" mattress.
15. Prohibit more than one person on upper bunk.

STRANGULATION HAZARD:

16. Never attach or hang items to any part of the bunk bed that are not designed for use with the bed for example, but not limited to hooks, belts, and jump ropes.