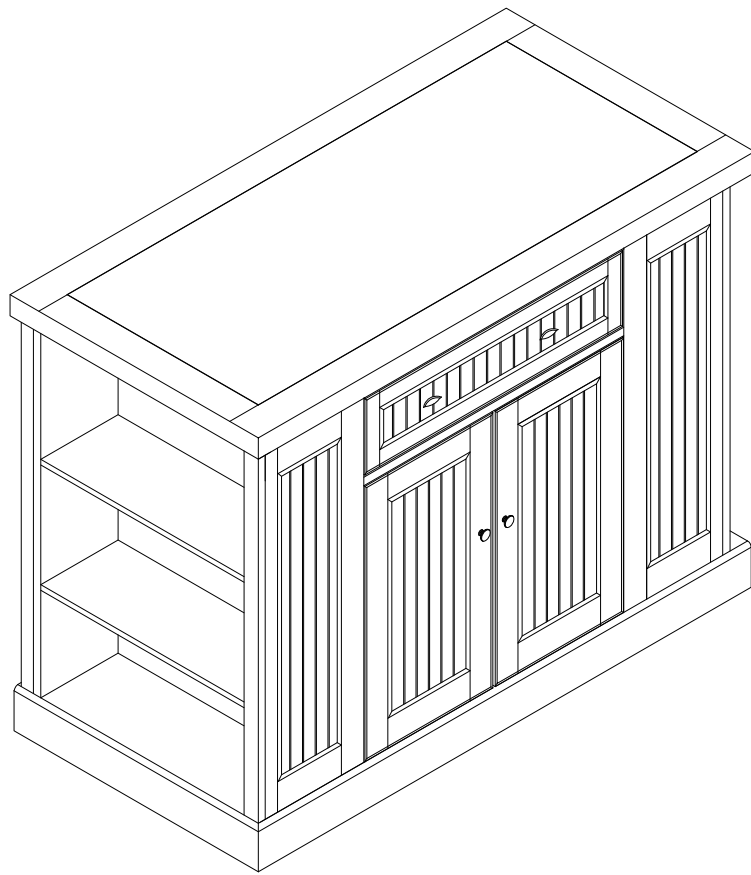
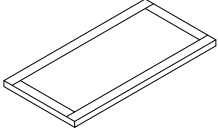
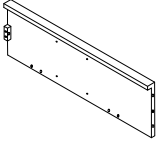
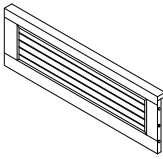
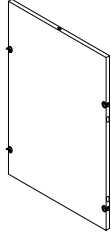
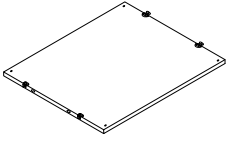
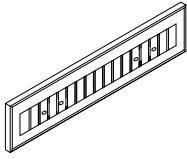
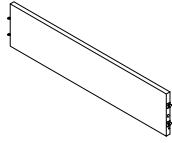
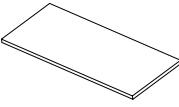
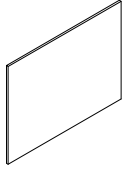

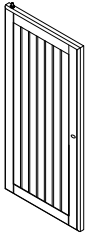
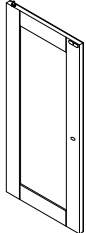
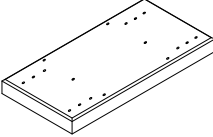
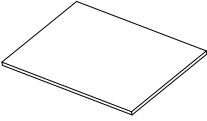


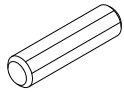

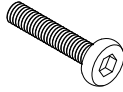
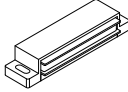
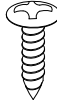
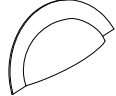
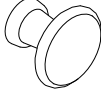

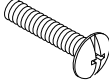
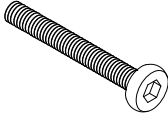


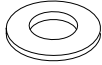
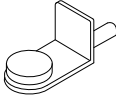
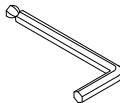
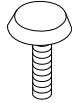
Kitchen Island



PART LIST

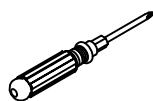
<p>A</p>  <p>(Ships Separately)</p>	<p>B</p> 	<p>C</p> 	<p>D</p> 	<p>E</p> 
<p>Top Panel 1 PC</p>	<p>Right Panel 2 PCS</p>	<p>Left Panel 2 PCS</p>	<p>Partition Panel 2 PCS</p>	<p>Shelf 1 PC</p>
<p>F</p> 	<p>G</p> 	<p>H</p> 	<p>I</p> 	<p>J</p> 
<p>Drawer Front Panel 2 PCS</p>	<p>Drawer Panel 2 PCS</p>	<p>Adjustable Shelf 4 PCS</p>	<p>Drawer Bottom Panel 1 PC</p>	<p>Drawer Bottom Rail 1 PC</p>
<p>K</p> 	<p>L</p> 	<p>M</p> 	<p>N</p> 	
<p>Left Door Panel 2 PCS</p>	<p>Right Door Panel 2 PCS</p>	<p>Bottom Panel 1 PC</p>	<p>Middle Adjustable Shelf 1 PC</p>	

HARDWARE LIST

<p>#1</p>  <p>Ø8*30mm</p>	<p>#2</p>  <p>Ø6*30mm</p>	<p>#3</p>  <p>1-1/4"*Ø1/4"*D11mm</p>	<p>#4</p> 	<p>#5</p>  <p>12*Ø3*D6mm</p>
<p>Large Wood Dowel 28 PCS (Extra 1)</p>	<p>Small Wood Dowel 6 PCS (Extra 1)</p>	<p>Short Bolt 4 PCS (Extra 1)</p>	<p>Magnet 2 PCS</p>	<p>Small Round Head Screw 4 PCS (Extra 1)</p>
<p>#6</p> 	<p>#7</p> 	<p>#8</p>  <p>6mm*Ø5/32"*D9mm</p>	<p>#9</p>  <p>7/8"*Ø5/32"*D9mm</p>	<p>#10</p>  <p>2"*Ø1/4"*D11mm</p>
<p>Handle 4 PCS</p>	<p>Knob 4 PCS</p>	<p>Short Round Head Bolt 8 PCS (Extra 1)</p>	<p>Long Round Head Bolt 4 PCS (Extra 1)</p>	<p>Long Bolt 6 PCS (Extra 1)</p>
<p>#11</p> 	<p>#12</p> 	<p>#13</p> 	<p>#14</p> 	<p>#15</p> 
<p>Barrel Nut 2 PCS</p>	<p>Drawer Stopper 1 PC</p>	<p>Flat Washer 6 PCS (Extra 1)</p>	<p>Shelf Holder 20 PCS (Extra 1)</p>	<p>Allen Wrench 1 PC</p>
<p>#16</p>  <p>Adjustable Leveler 4 PCS</p>				

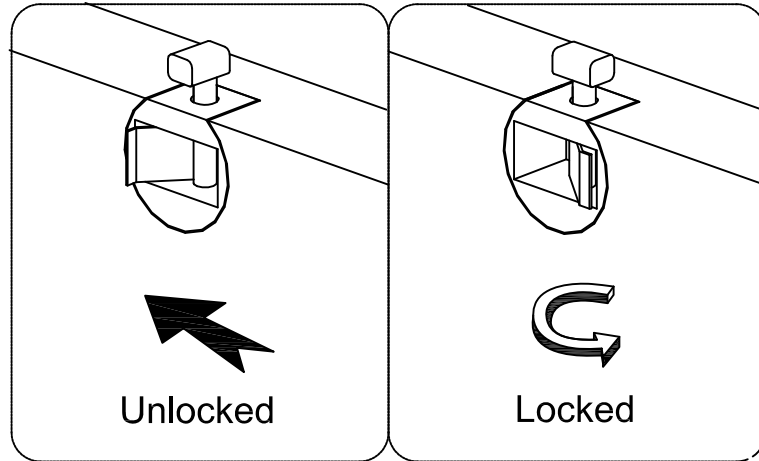
ADDITIONAL TOOLS (Not Provided)

Note: It is not recommended to use power tools during assembly.



Phillips Head Screwdriver

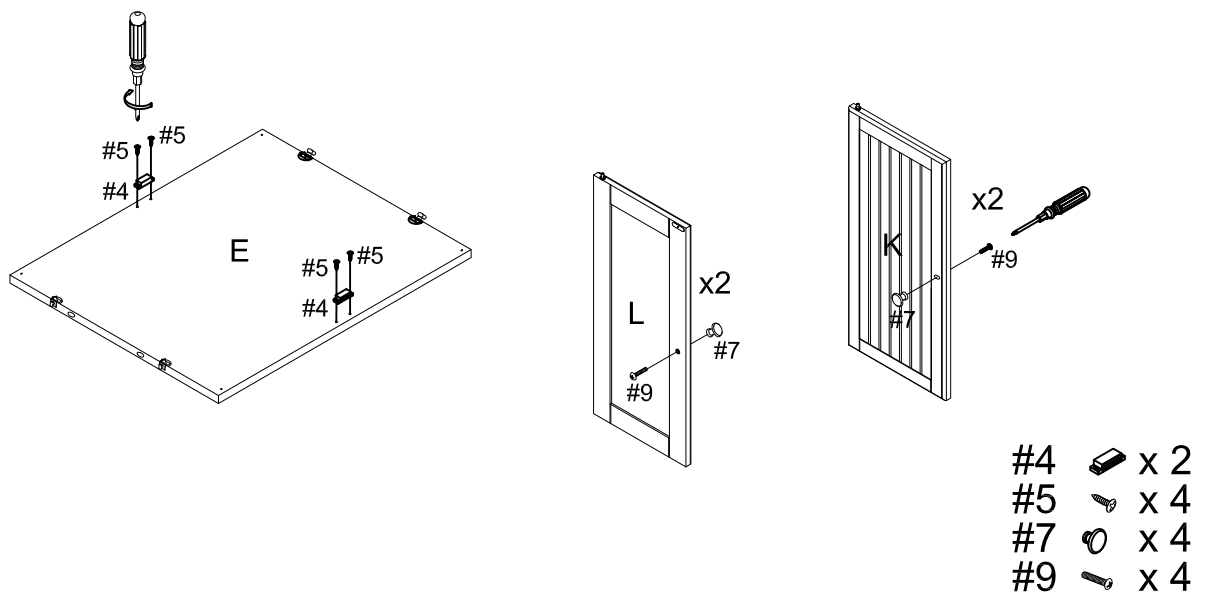
Please do not use tools to assemble this unit unless specifically indicated.



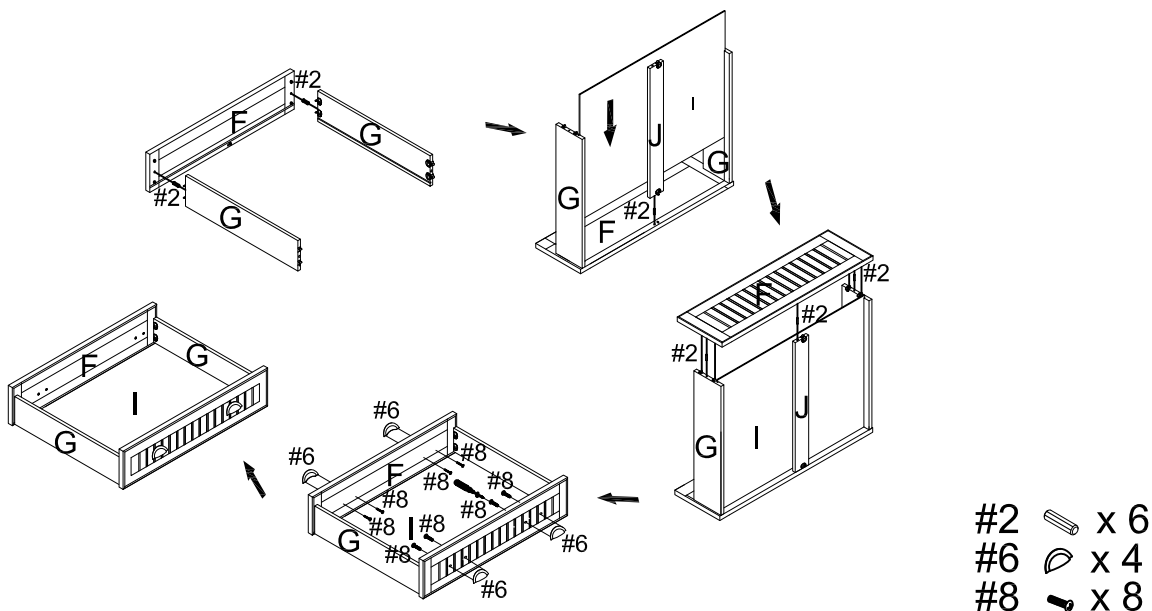
Reference the images above any time the instructions state "lock the hardware".
Note: Be sure to check all hardware is locked when completed.

Note: Wood dowels are intended for alignment. Additional clearance between wood dowel and pre-drilled hole is intentional for ease of assembly.

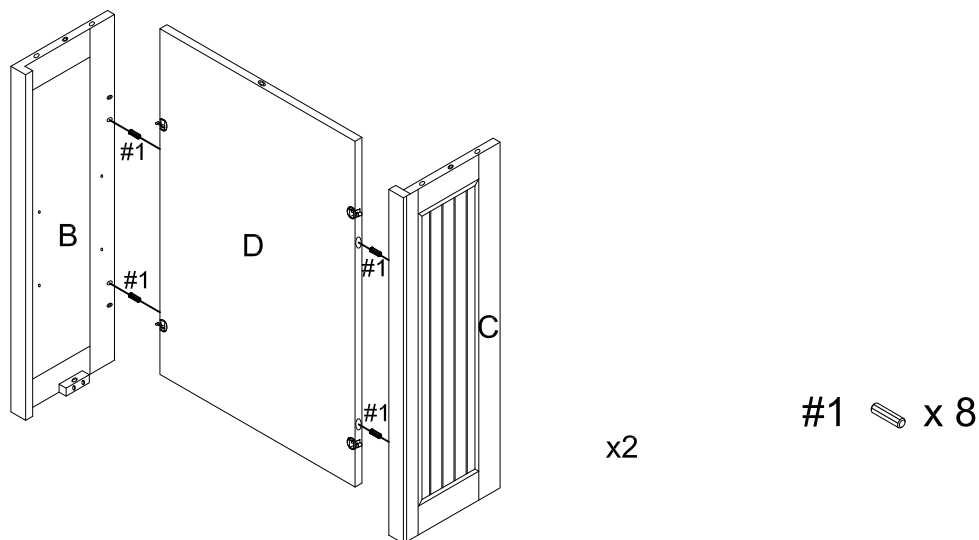
Step 1. Attach magnets (part #4) to shelf (part E) using small round head screws (part #5) and phillips head screwdriver. Attach knobs (part #7) to left door panels (part K) and right door panels (part L) using long round head bolts (part #9) and phillips head screwdriver.



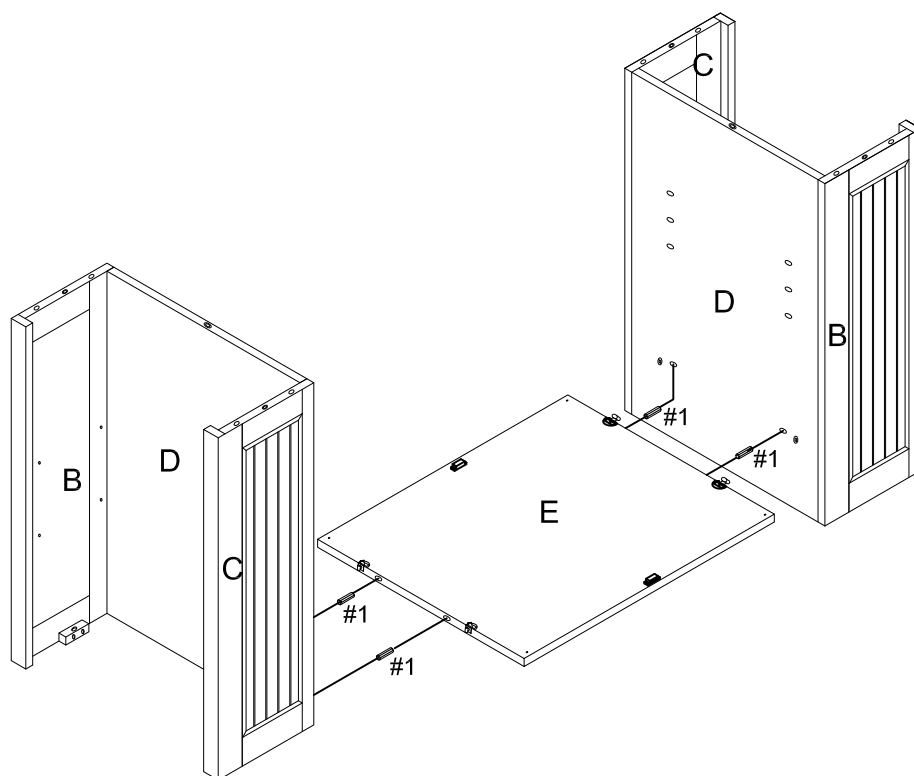
Step 2. Attach drawer panels (part G) to drawer front panel (part F) using small wood dowels (part #2) and lock the hardware. Slide drawer bottom panel (part I) into grooves of assembled unit (parts F & G). Attach drawer bottom rail (part J) to drawer front panel (part F) using small wood dowel (part #2) and lock the hardware. Attach drawer front panel (part F) to assembled unit (parts G, I & J) using small wood dowels (part #2) and lock the hardware. Attach handles (part #6) to drawer front panels (part F) using short round head bolts (part #8) and phillips head screwdriver.



Step 3. Attach right panel (part B) and left panel (part C) to partition panel (part D) using large wood dowels (part #1) and lock the hardware. Repeat for remaining panels.

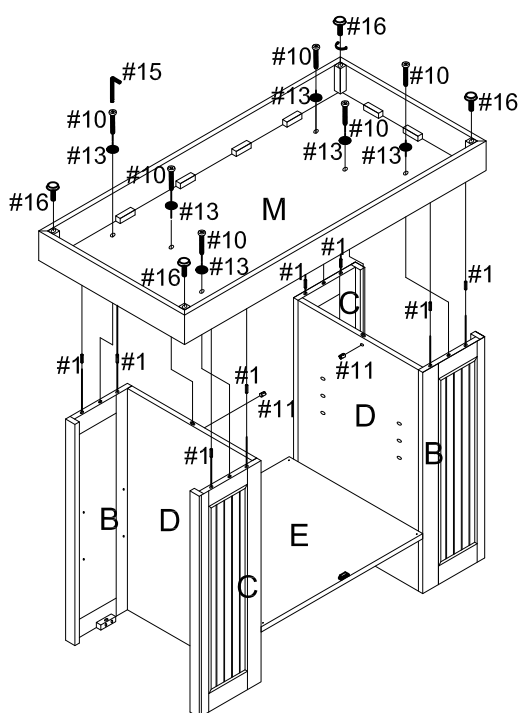


Step 4. Attach shelf (part E) to assembled unit (parts B, C & D) using large wood dowels (part #1) and lock the hardware.



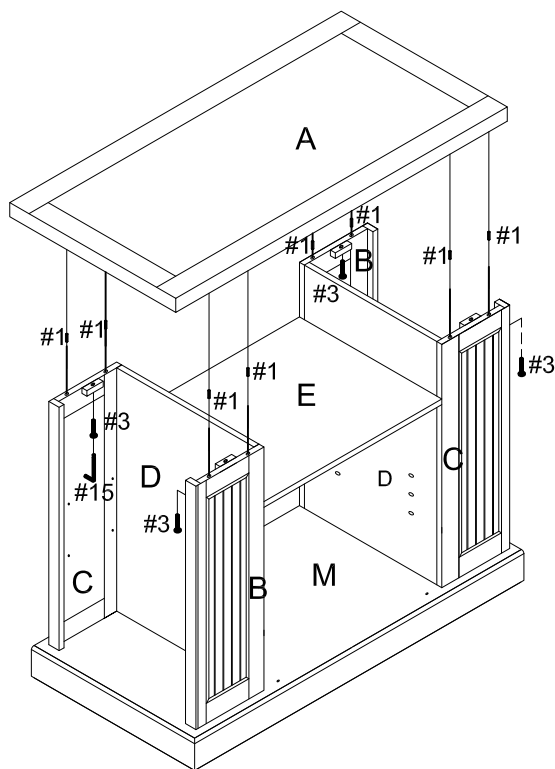
#1  x 4




Step 5. Attach bottom panel (part M) to assembled unit (parts B, C & D) using large wood dowels (part #1), long bolts (part #10), flat washers (part #13), barrel nuts (part #11) and allen wrench (part #15). Attach adjustable levelers (part #16) to bottom panel (part M).



#1  x 8
 #10  x 6
 #11  x 2
 #13  x 6
 #15  x 1
 #16  x 4

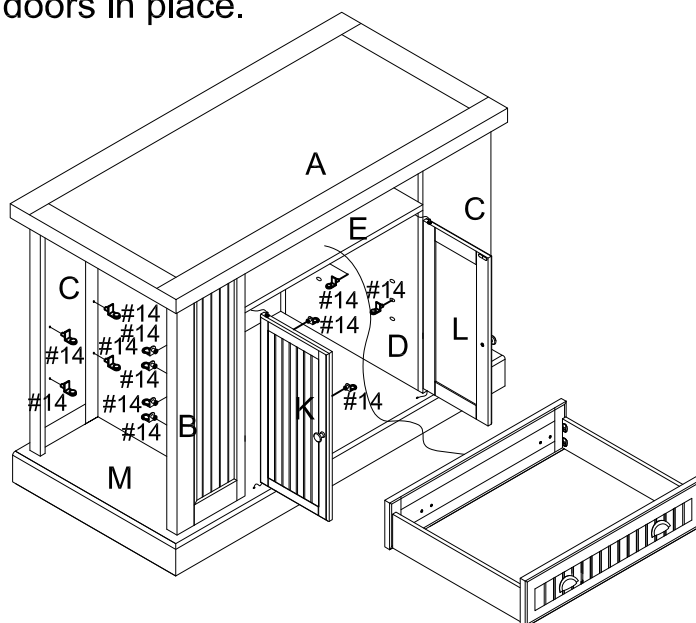
Step 6. Carefully turn unit upright. Attach top panel (part A) to assembled unit (parts B, C & D) using large wood dowels (part #1), short bolts (part #3) and allen wrench (part #15).



- #1  x 8
- #3  x 4
- #15  x 1

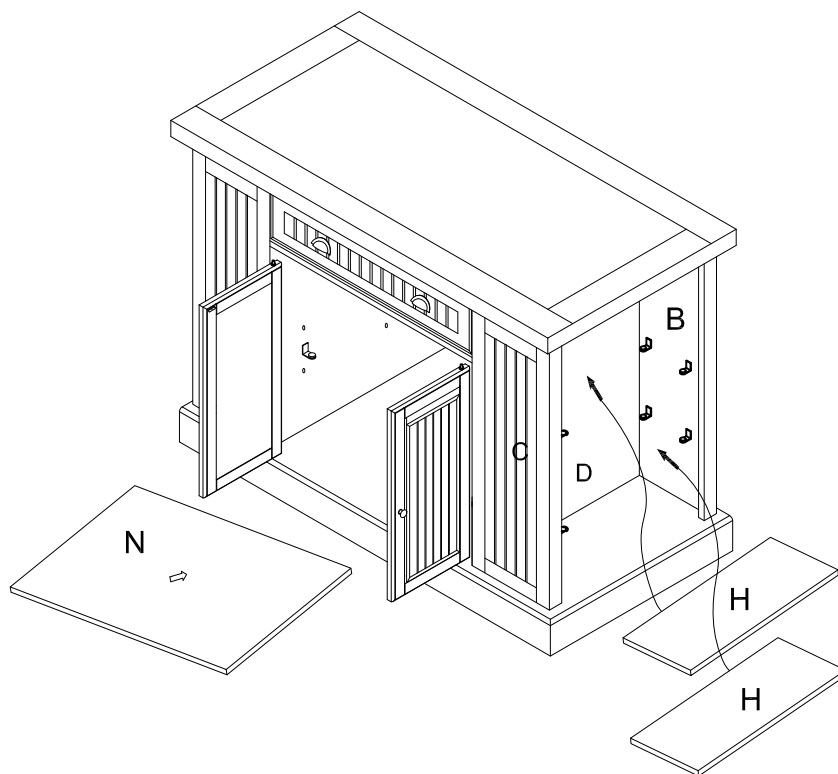
Step 7. Attach left door panels (part K) and right door panels (part L) by placing bottom pin hinge (pre-installed in door) in the pre-drilled hole of bottom panel (part M). Then depress the top spring-loaded pin hinge so it can be placed in the pre-drilled hole of shelf (part E). Place shelf holders (part #14) into desired position. Slide assembled drawer into place.

NOTE: Be sure top and bottom pin hinges are fully extended to secure doors in place.



- #14  x 20

Step 8. Slide adjustable shelves (part H) and middle adjustable shelf (part N) into place.



Step 9. Attach drawer stopper (part #12) to top panel (part A).

