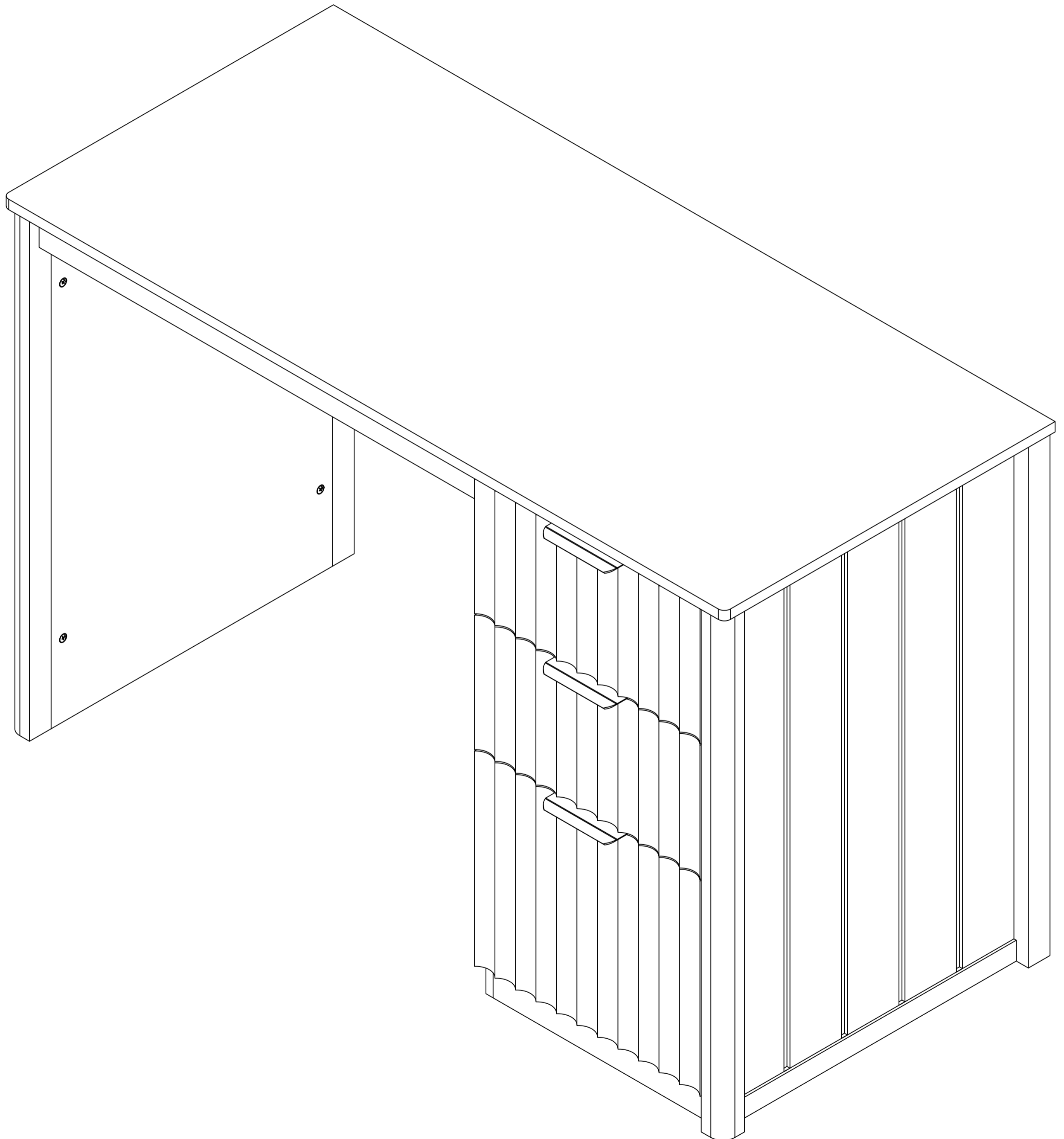
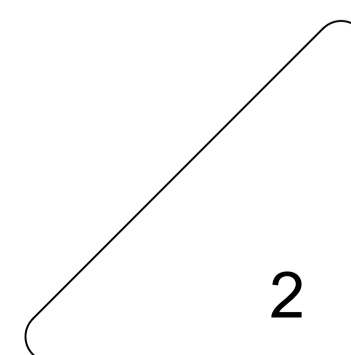
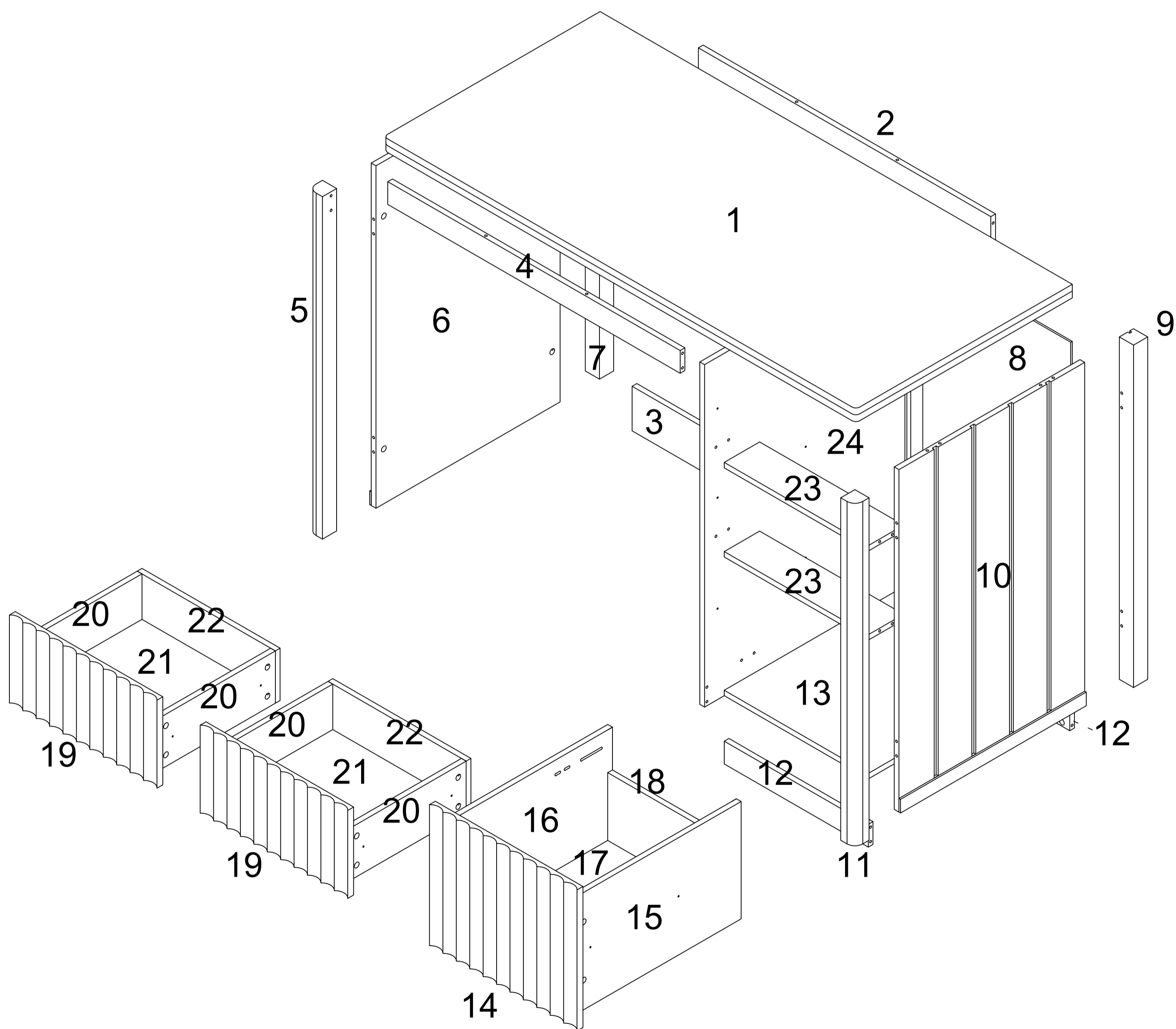
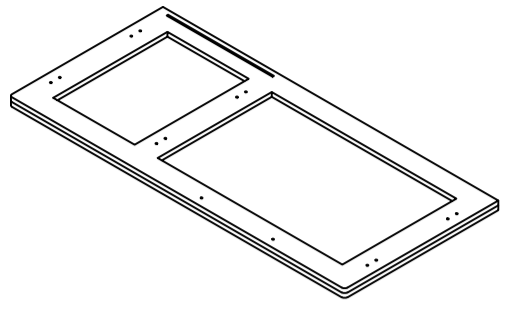


Product Installation Instructions

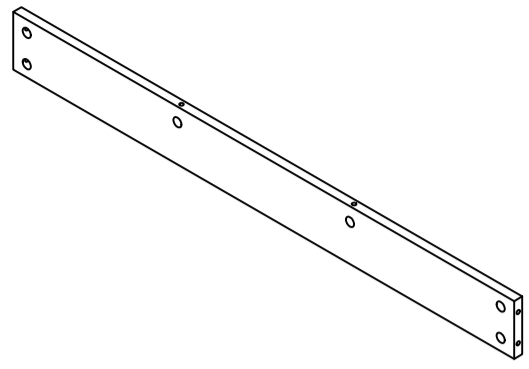


Product Explosion diagram

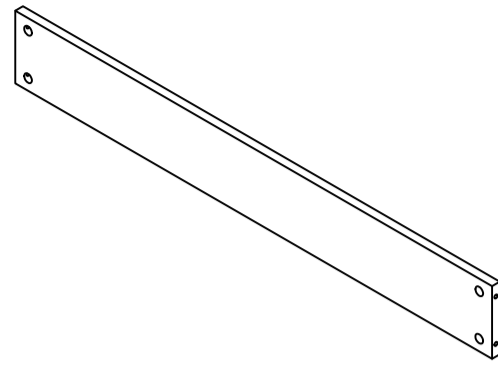




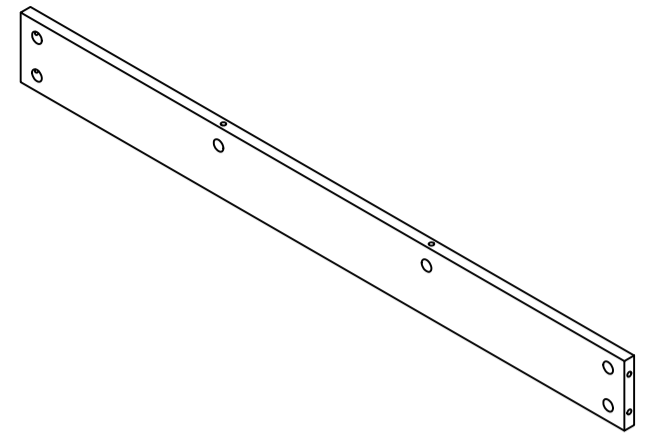
1x1



2x1



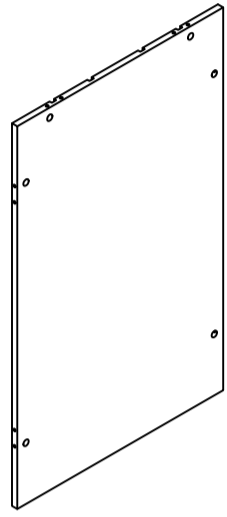
3x1



4x1



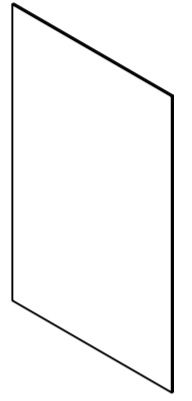
5x1



6x1



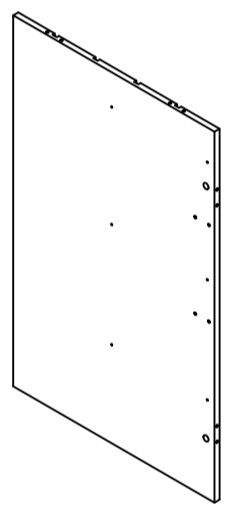
7x1



8x1



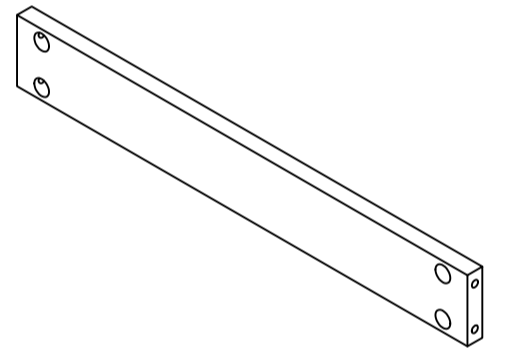
9x1



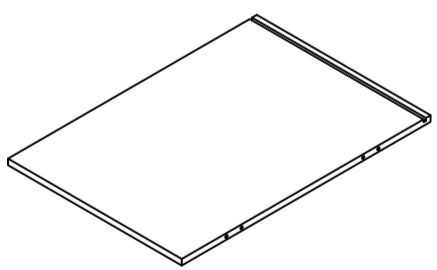
10x1



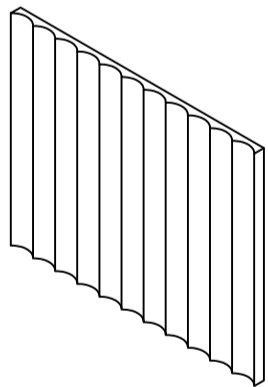
11x1



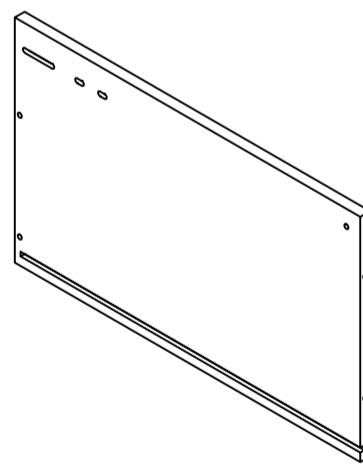
12x2



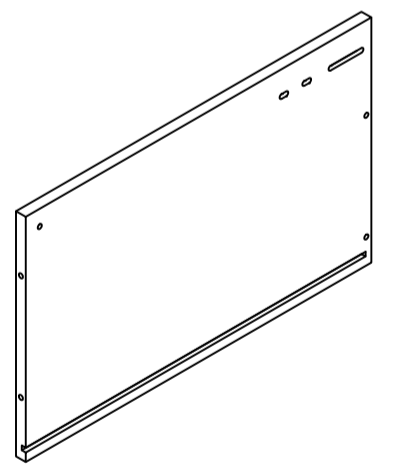
13x1



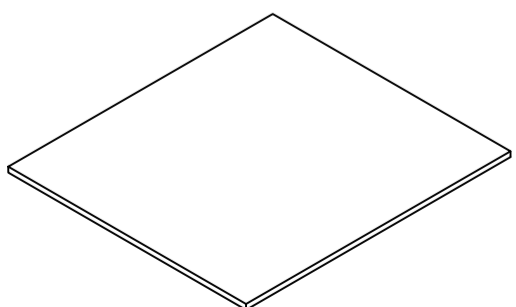
14x1



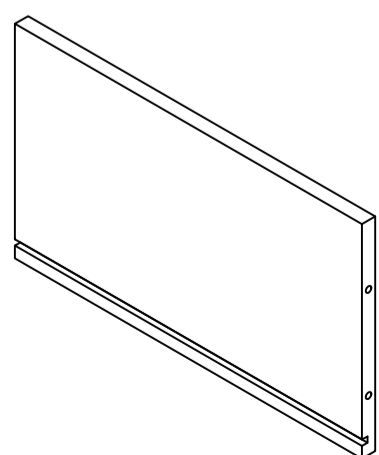
15x1



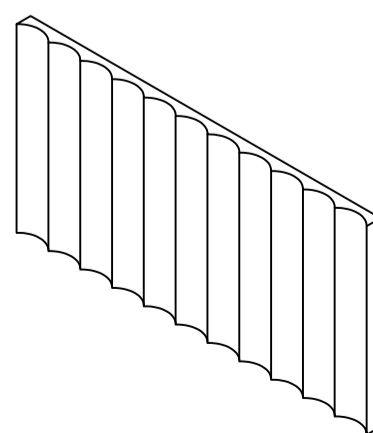
16x1



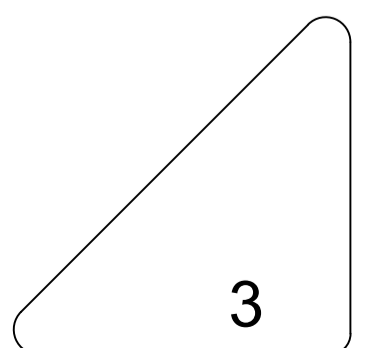
17x1



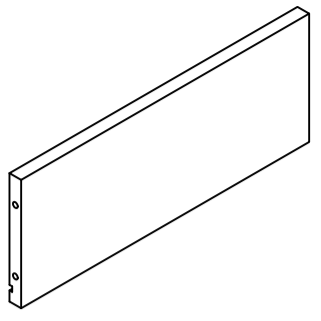
18x1



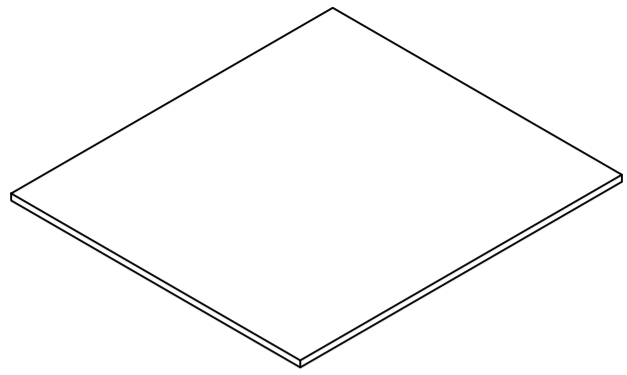
19x2



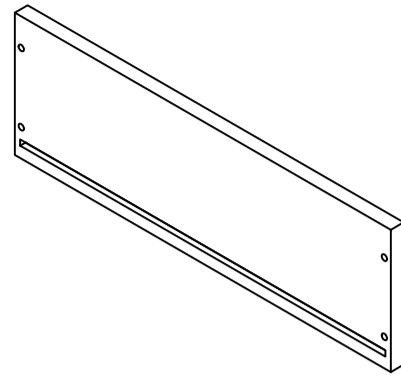
3



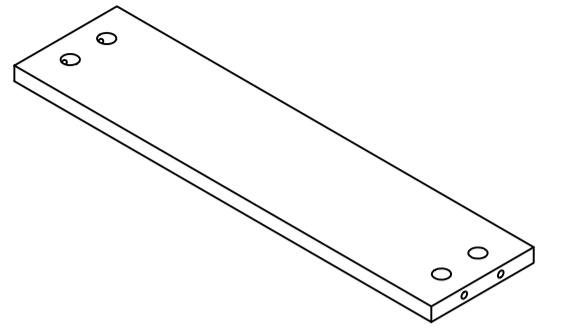
20x4



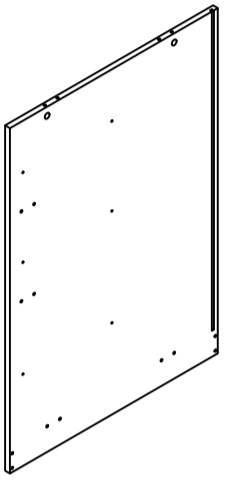
21x2



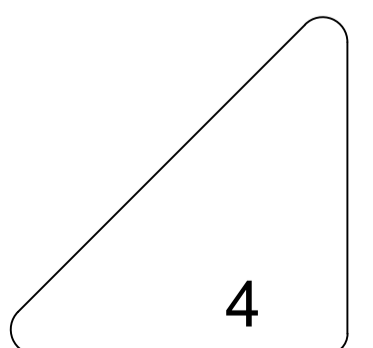
22x2



23x2

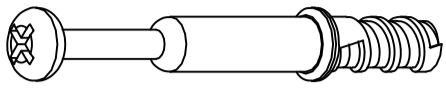

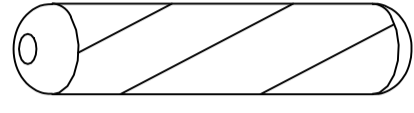
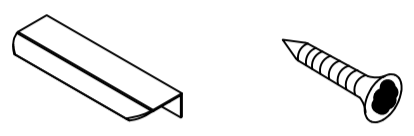
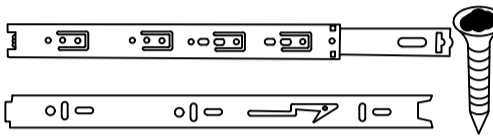
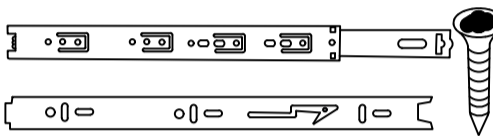
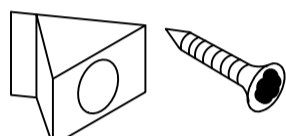
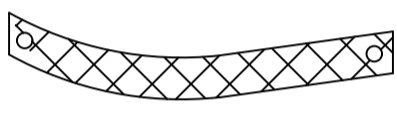

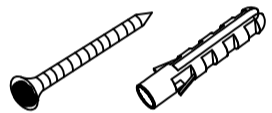
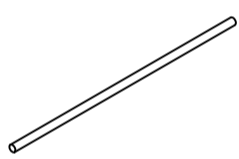

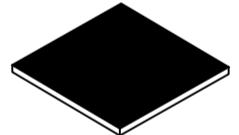
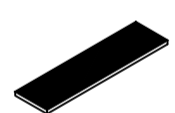


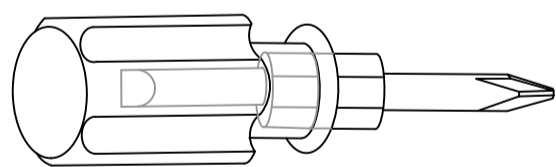
24x1



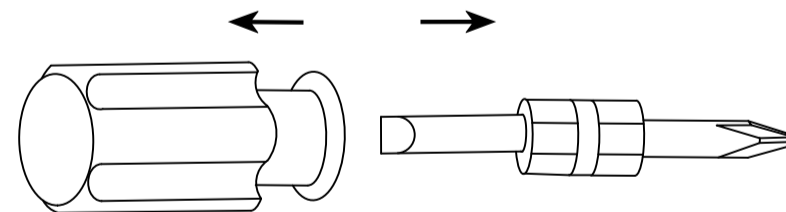
4

Accessories list

A		Two In One Screw (6x28mm)	74pcs +3pcs
B		Two In One Nut (10x12mm)	74pcs +3pcs
C		Wood Chipping (6x30mm)	18pcs +1pcs
D		Handle & Screw (3.5x12mm)	3pcs / 6pcs +1pcs
E		Screw & Guide 12 inches (3x12mm)	4pcs / 20pcs +2pcs
F		Screw & Guide 14 inches (3x12mm)	2pcs / 10pcs +1pcs
G		Fixing clip & screw (3x16mm)	6pcs +1pcs
		Anti-tipping tape	1pcs
H		Screw (3.5x12mm) Gasket	1pcs
		Countersunk head tapping Screw (4x45mm)	1pcs
I		Iron wire	2pcs
J		Foot pads 36*36x2mm-R20	2pcs
K		Foot pads 36*36x2mm	2pcs
L		Foot pads	2pcs

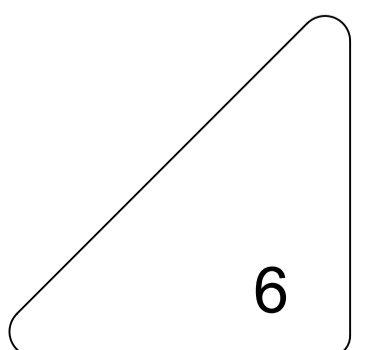
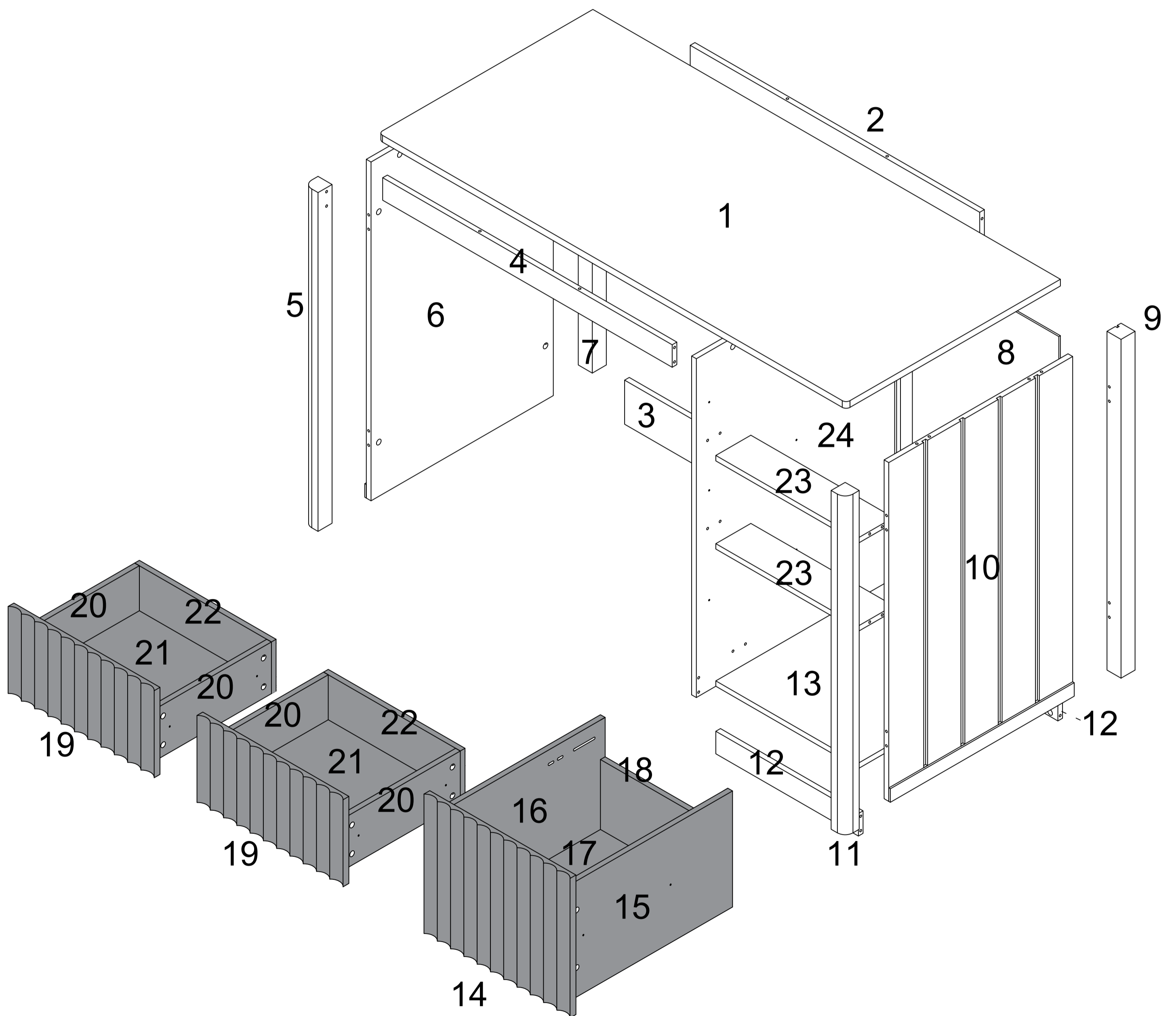


1pcs



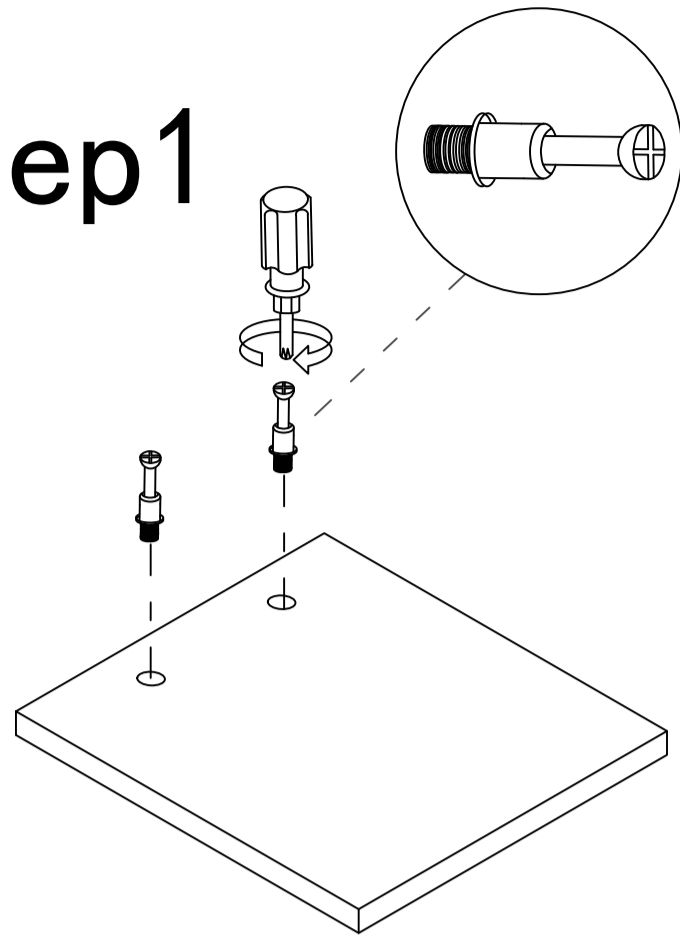
Double-head screwdriver, use as required

Product Explosion diagram

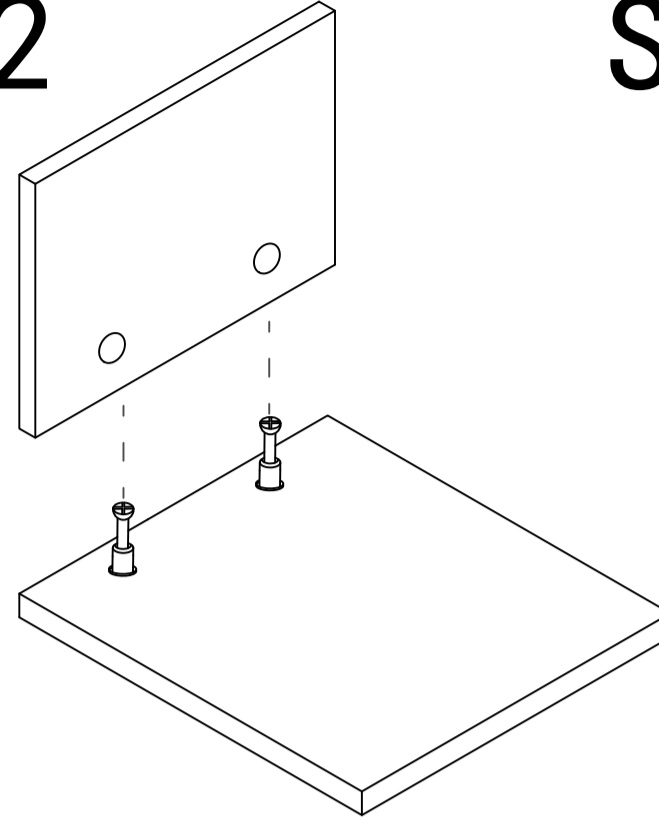


Use parts A and B

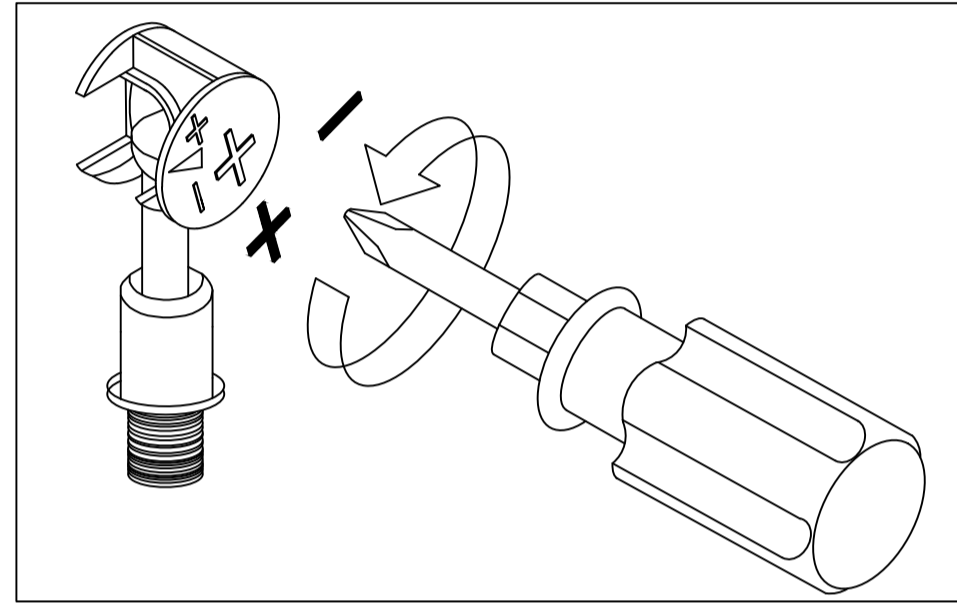
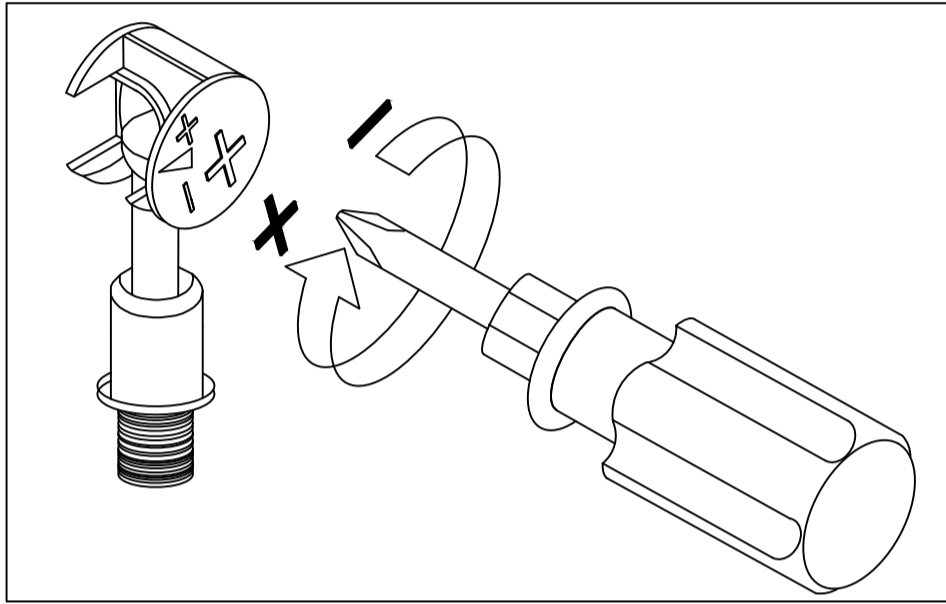
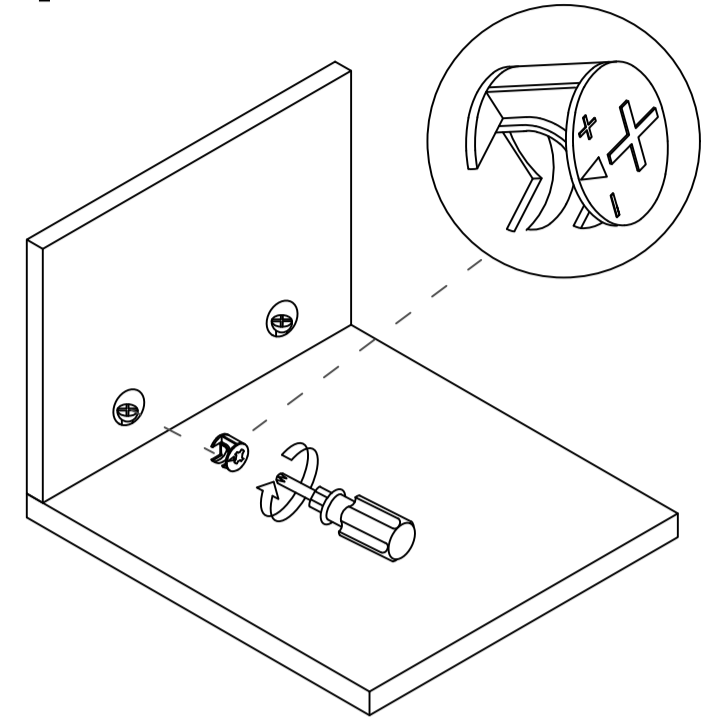
Step 1



Step 2



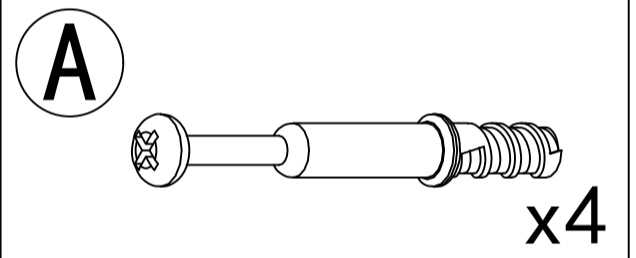
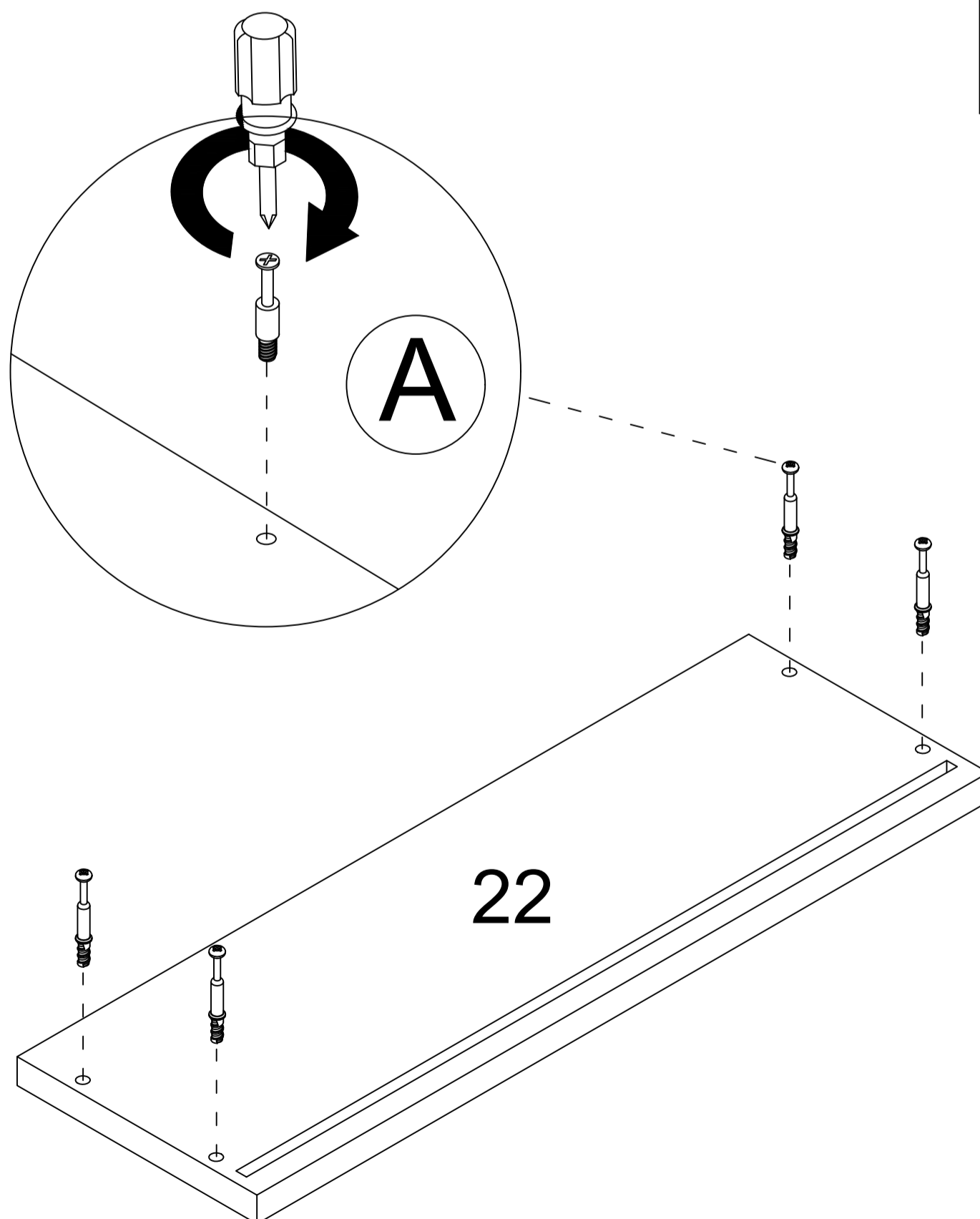
Step 3



Use a screwdriver to lock in the direction of the "+" sign

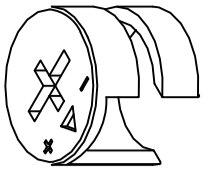
Disassemble along the direction of "-" sign

Step 1

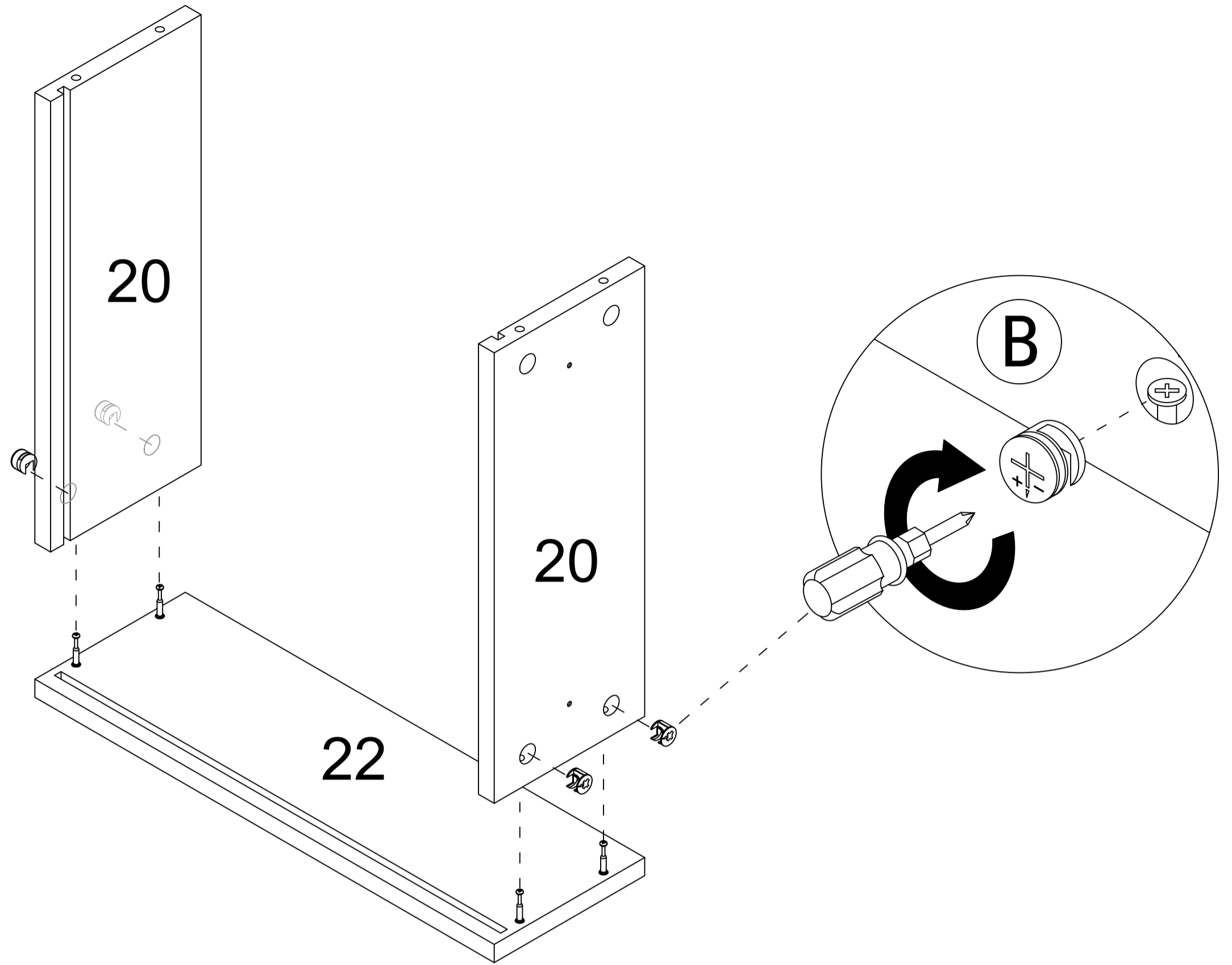


Step 2

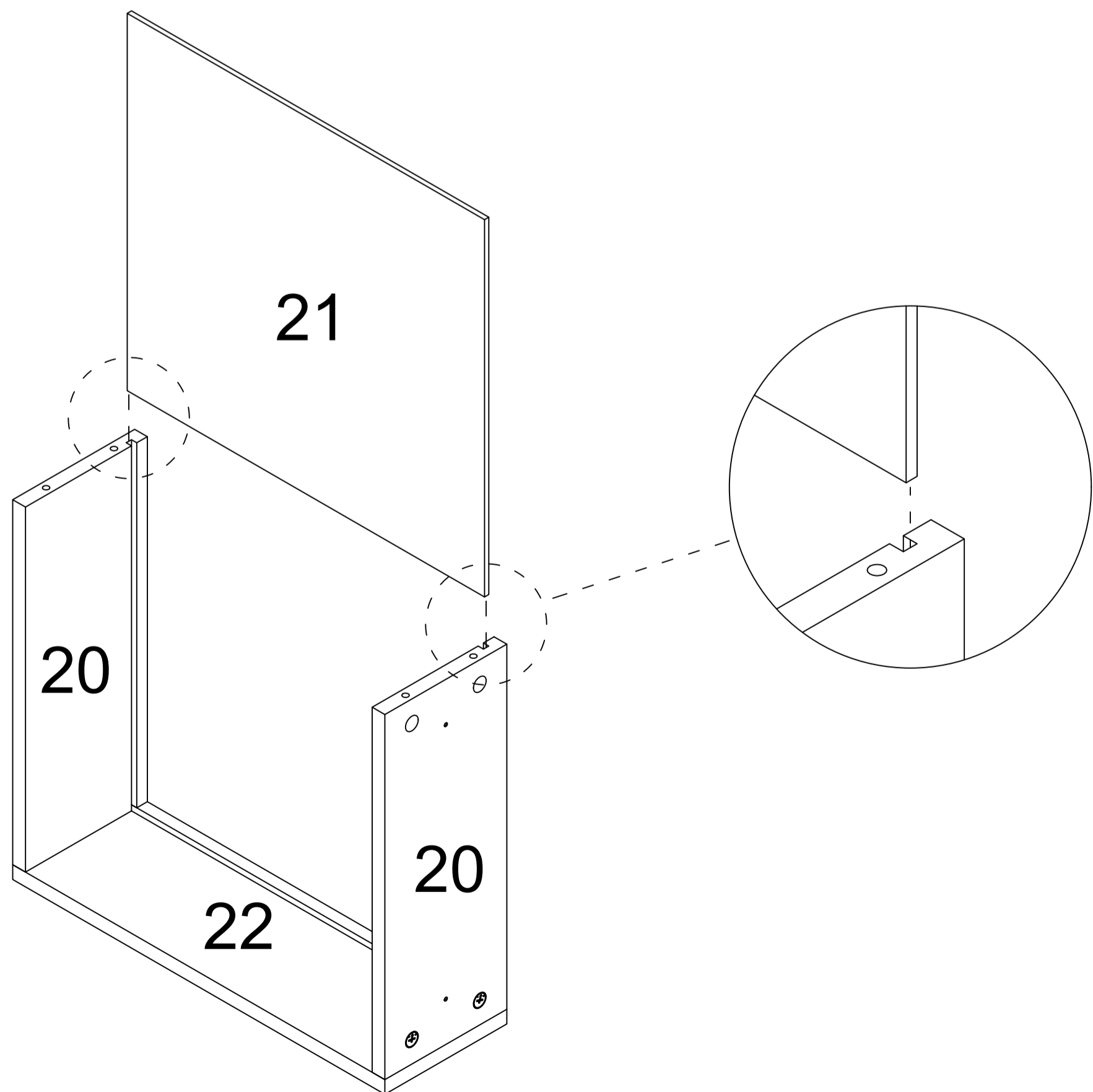
B



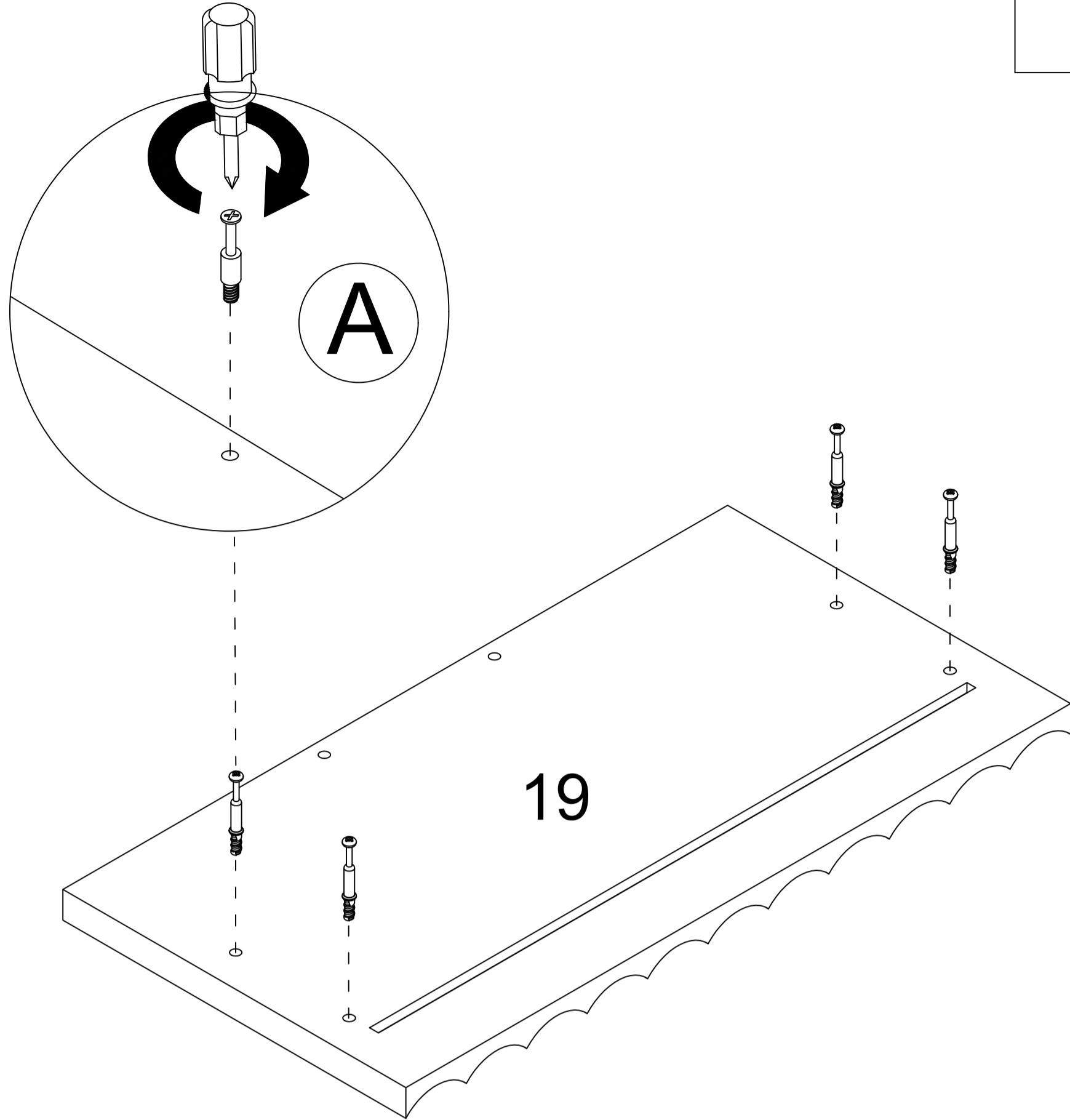
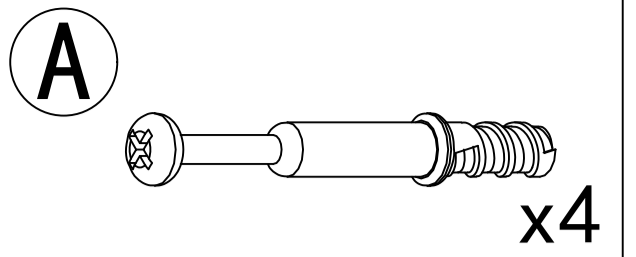
x4



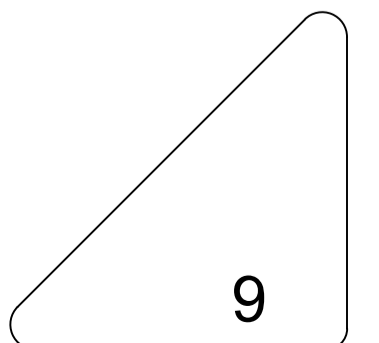
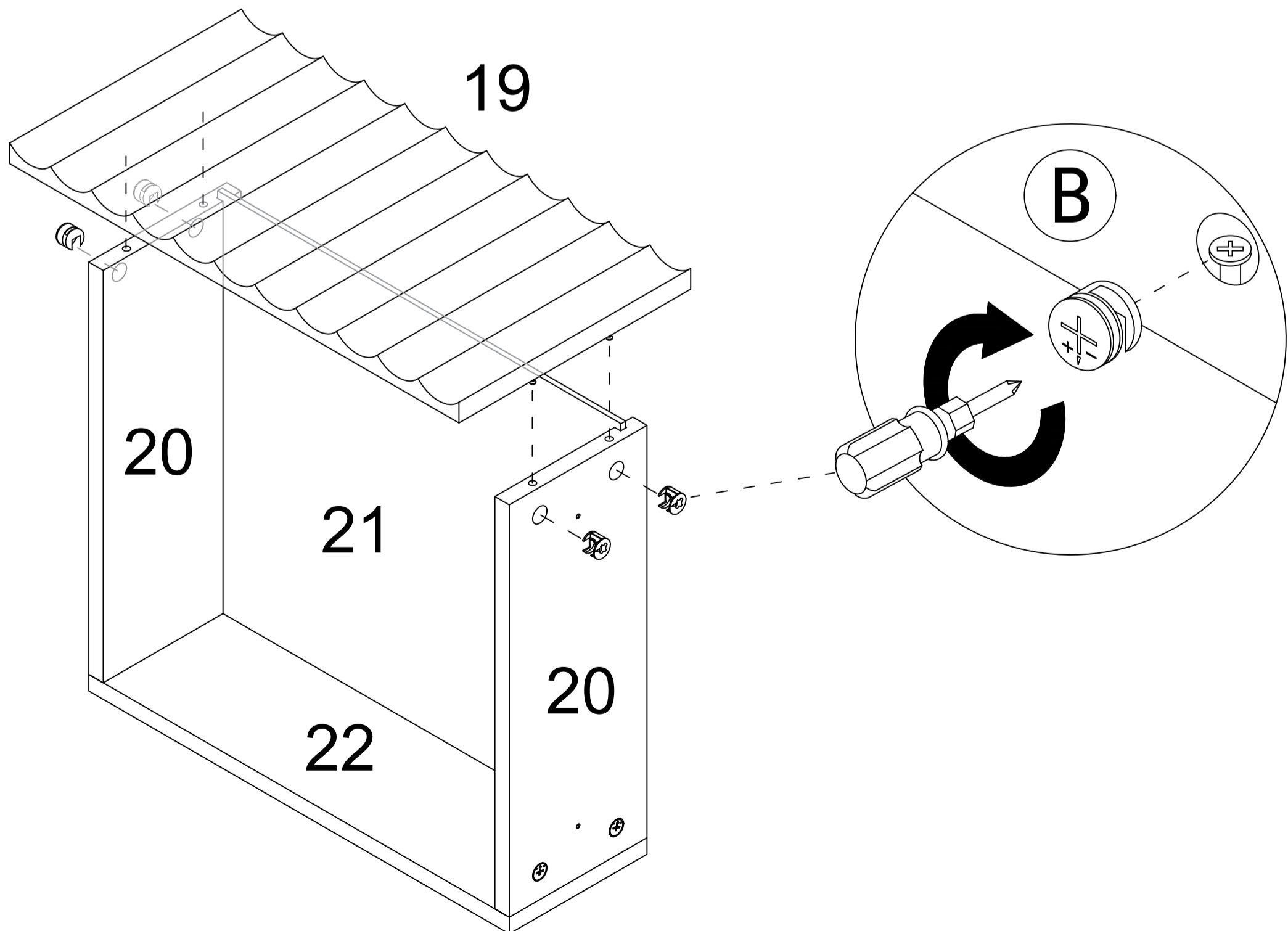
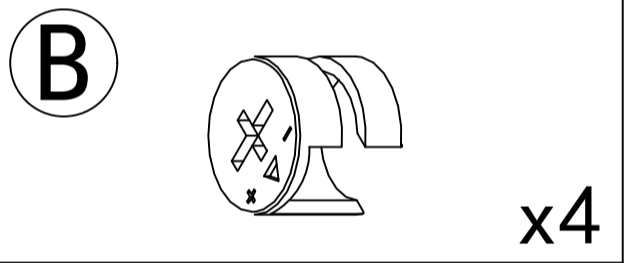
Step 3



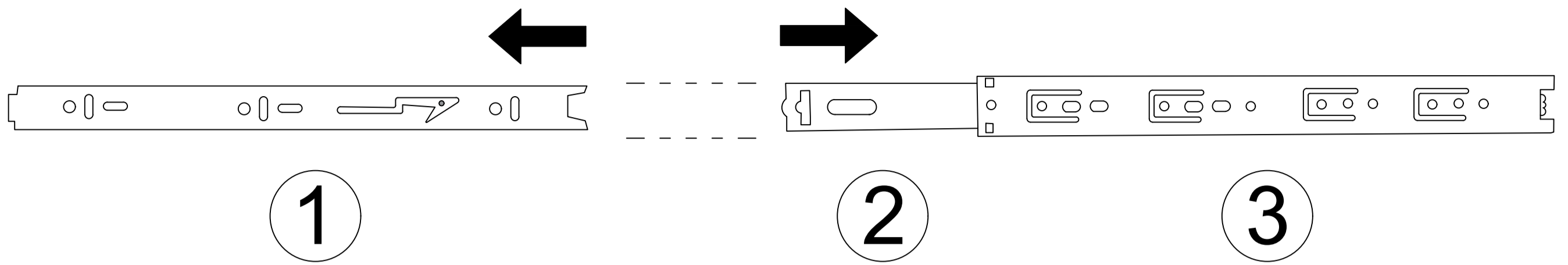
Step 4



Step 5

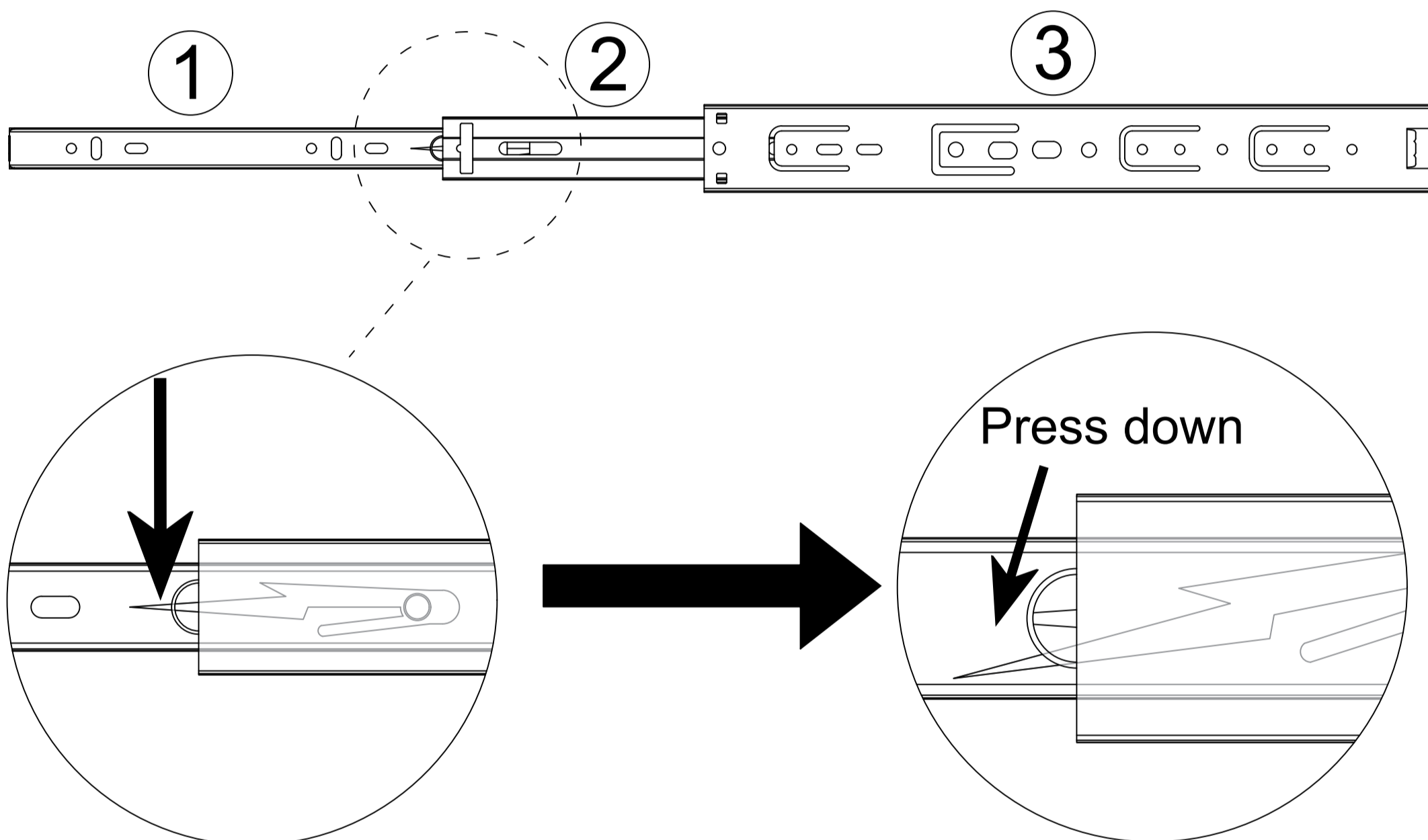


Drawer rail breakdown diagram



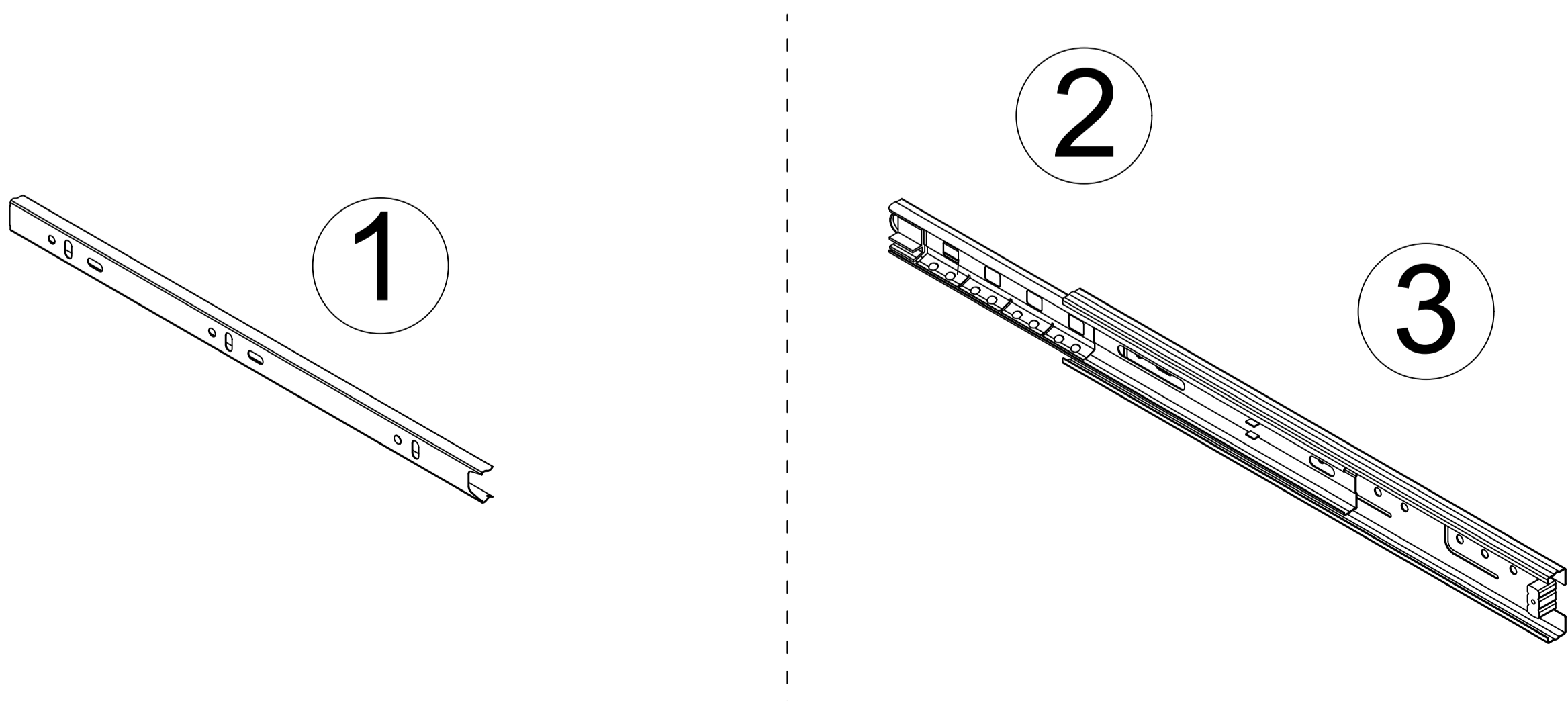
① Dismantle the schematic diagram

Step 1 : Pull the rails apart

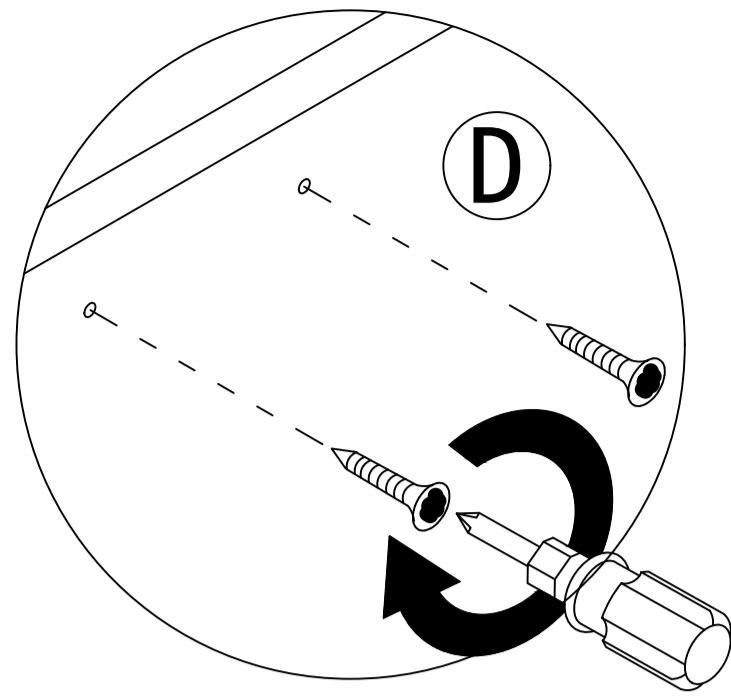


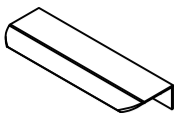

Step 2 : Press the nylon button and pull out ①.

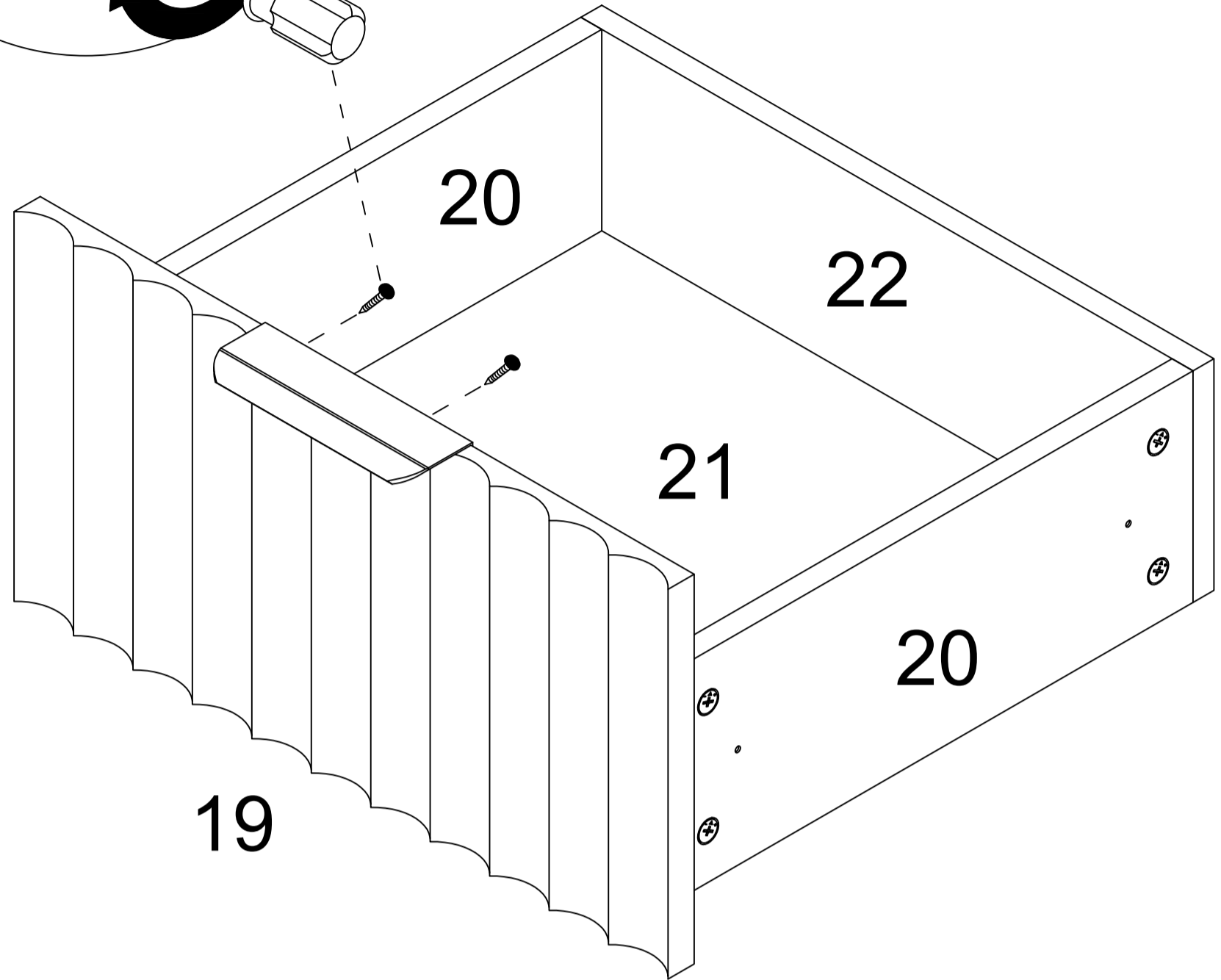
Drawer rail decomposition completed schematic diagram



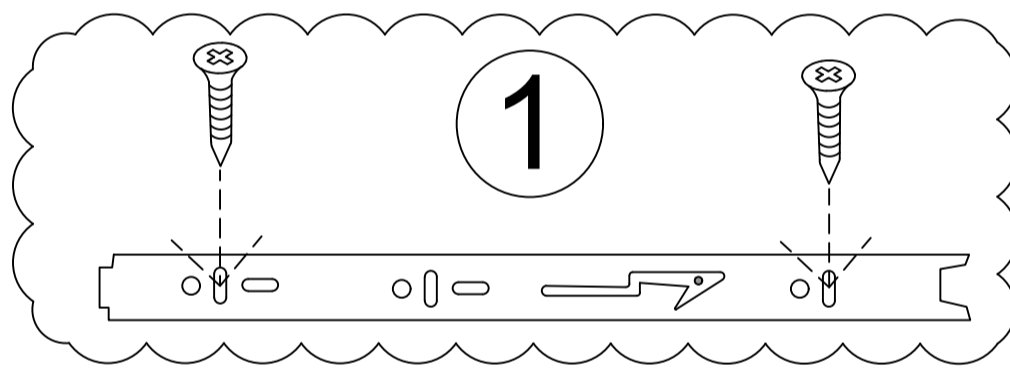
Step 6

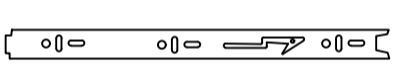



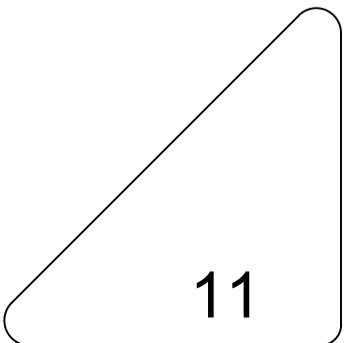
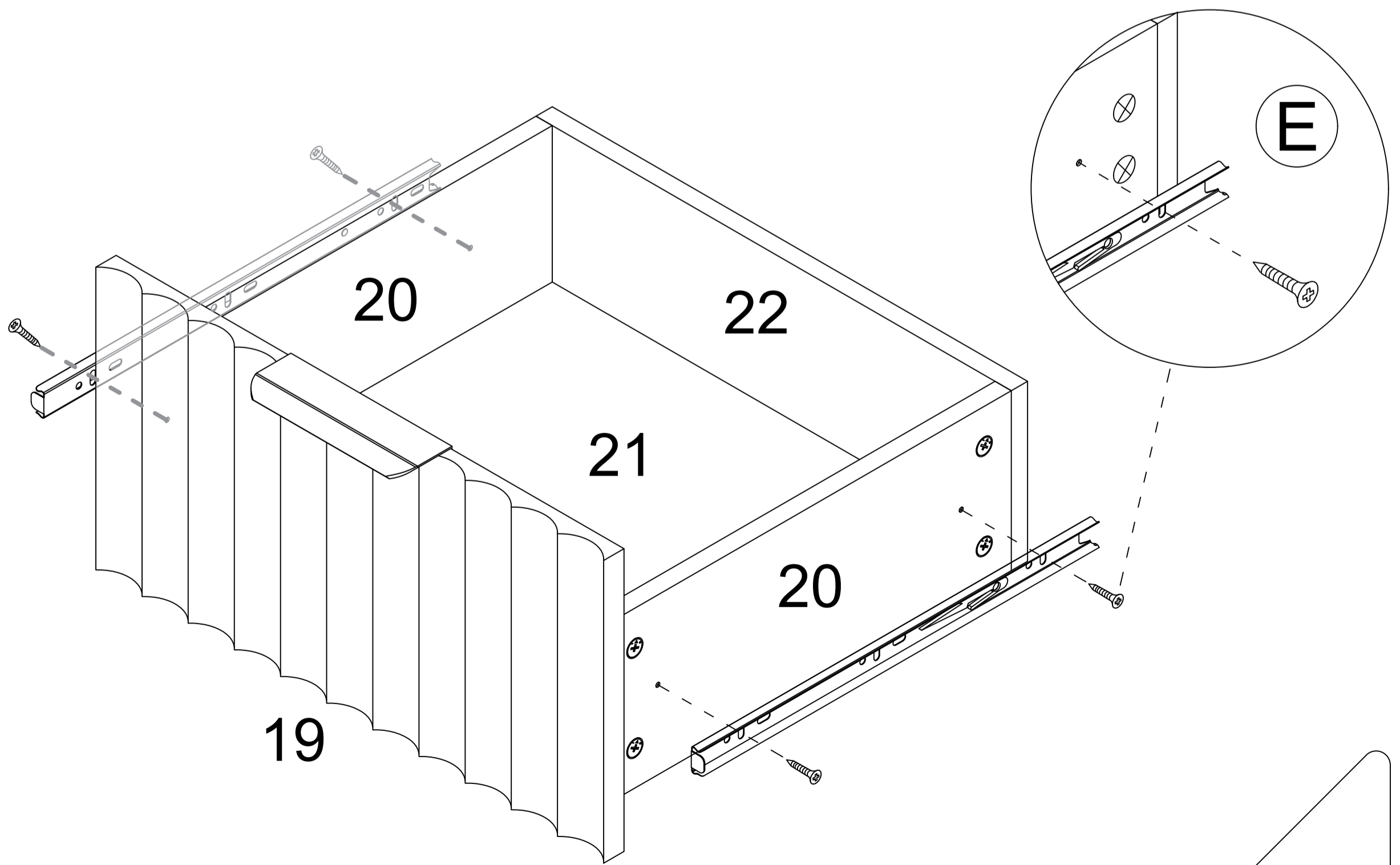
- D**  x1
-  x2



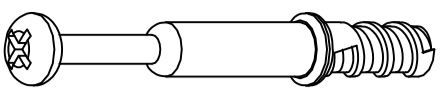

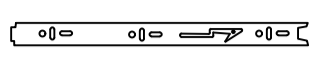

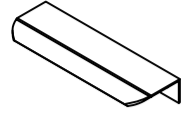

Step 7

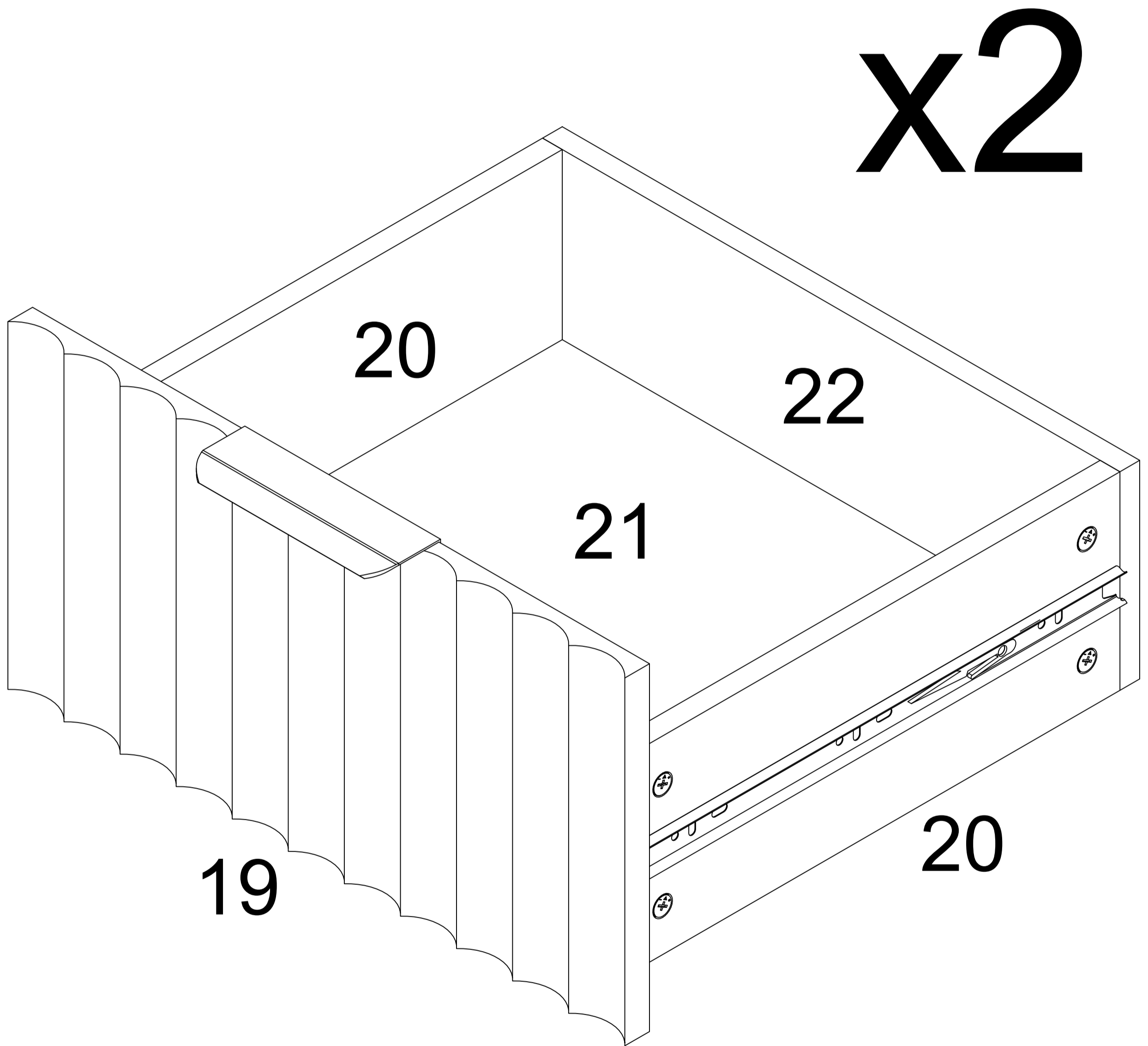


- E**  x2
-  x4



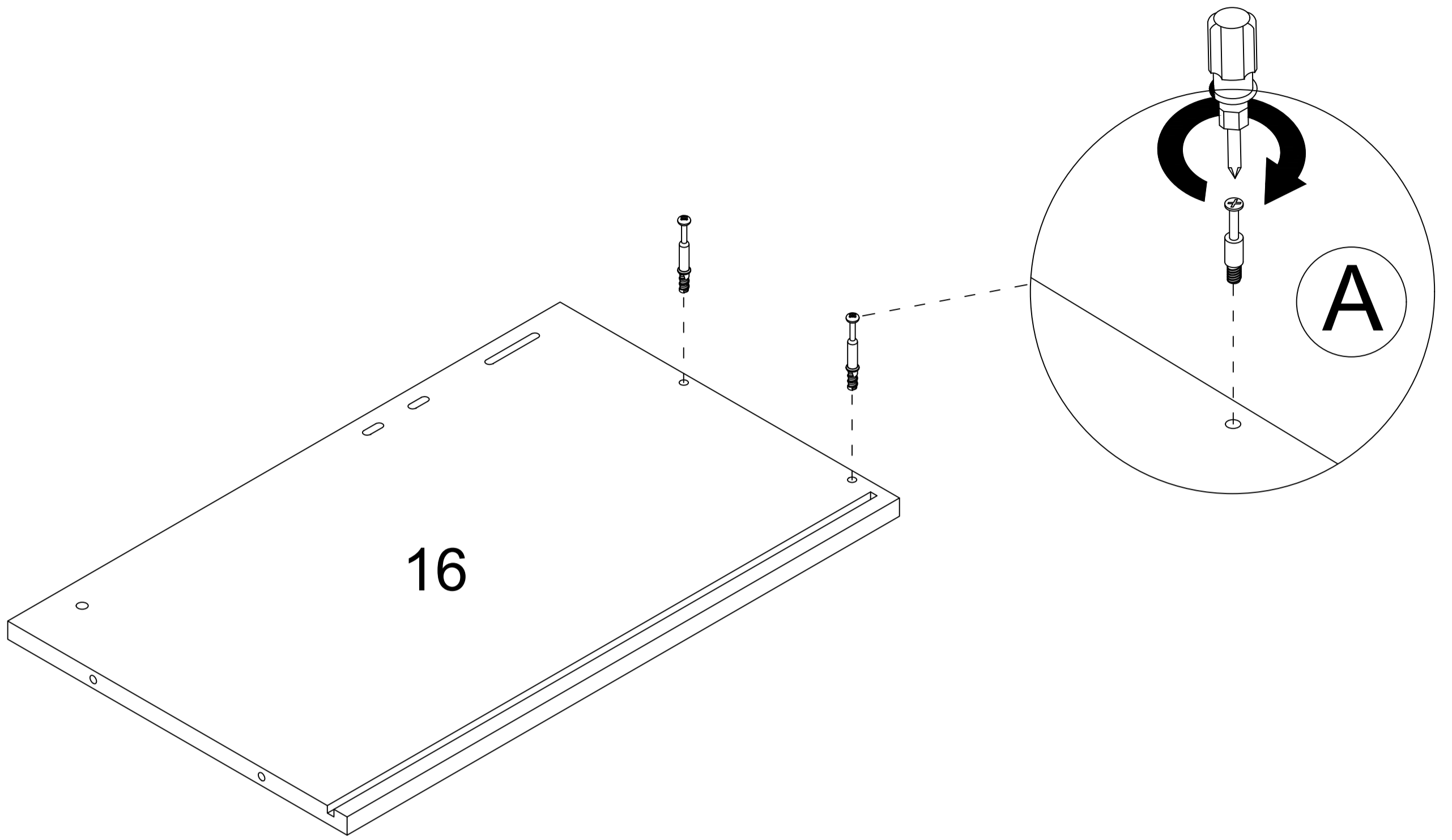
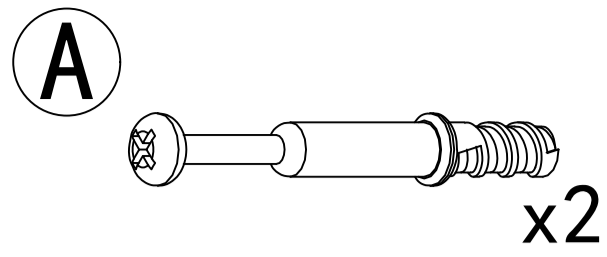
Step 8

A  x4	B  x4
E  x4  x8	D  x2  x4

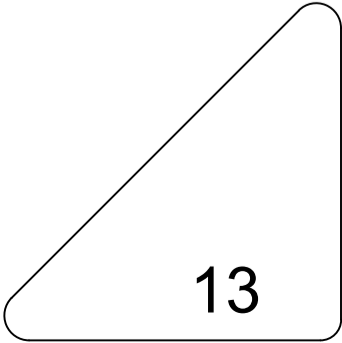
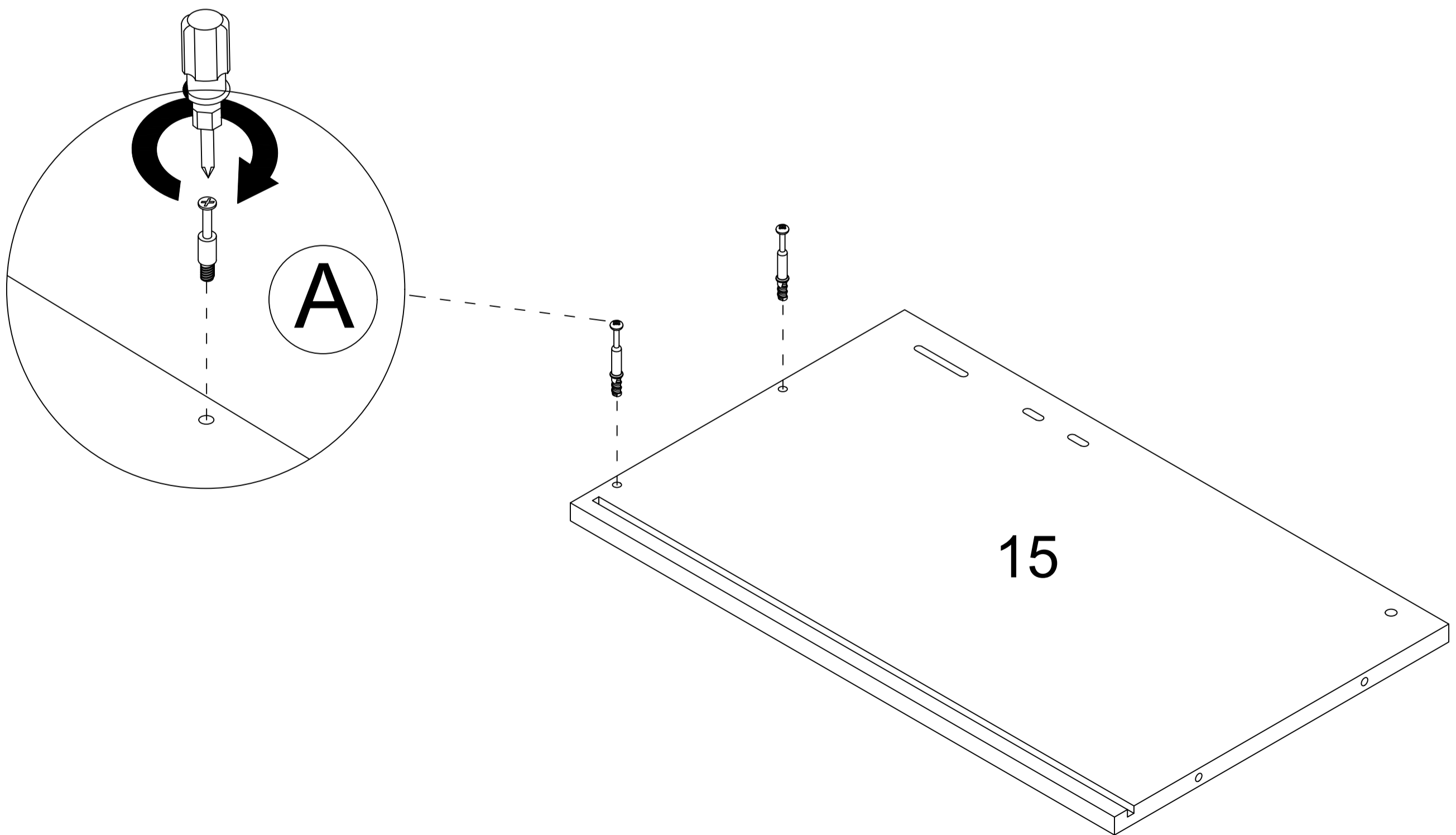
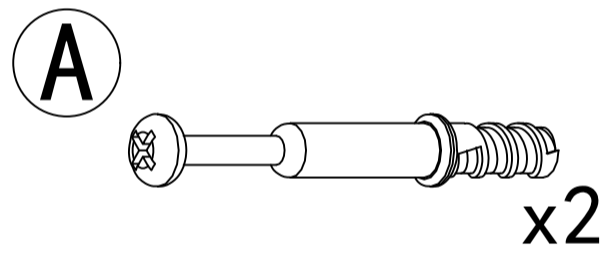


Repeat the drawer installation steps

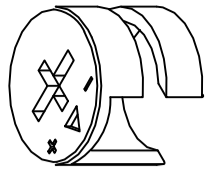
Step 9

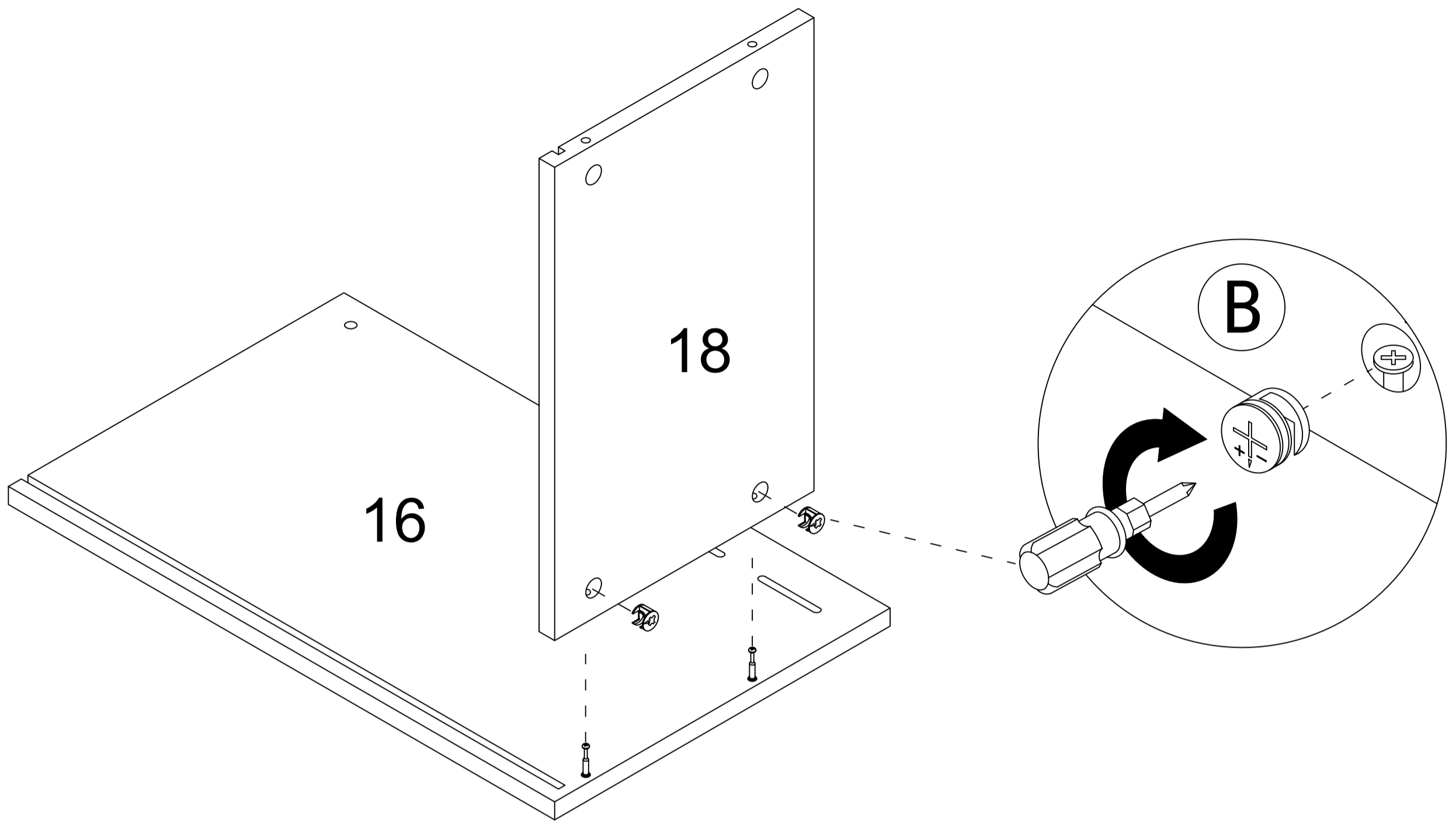


Step 10



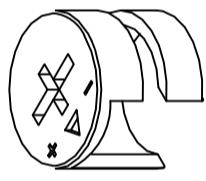
Step 11

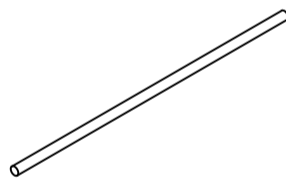
B  x2

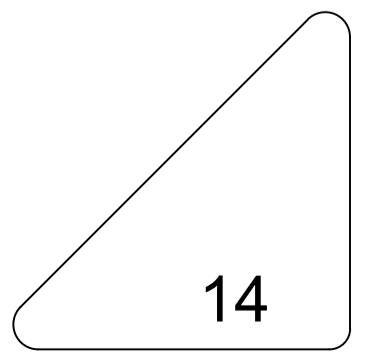
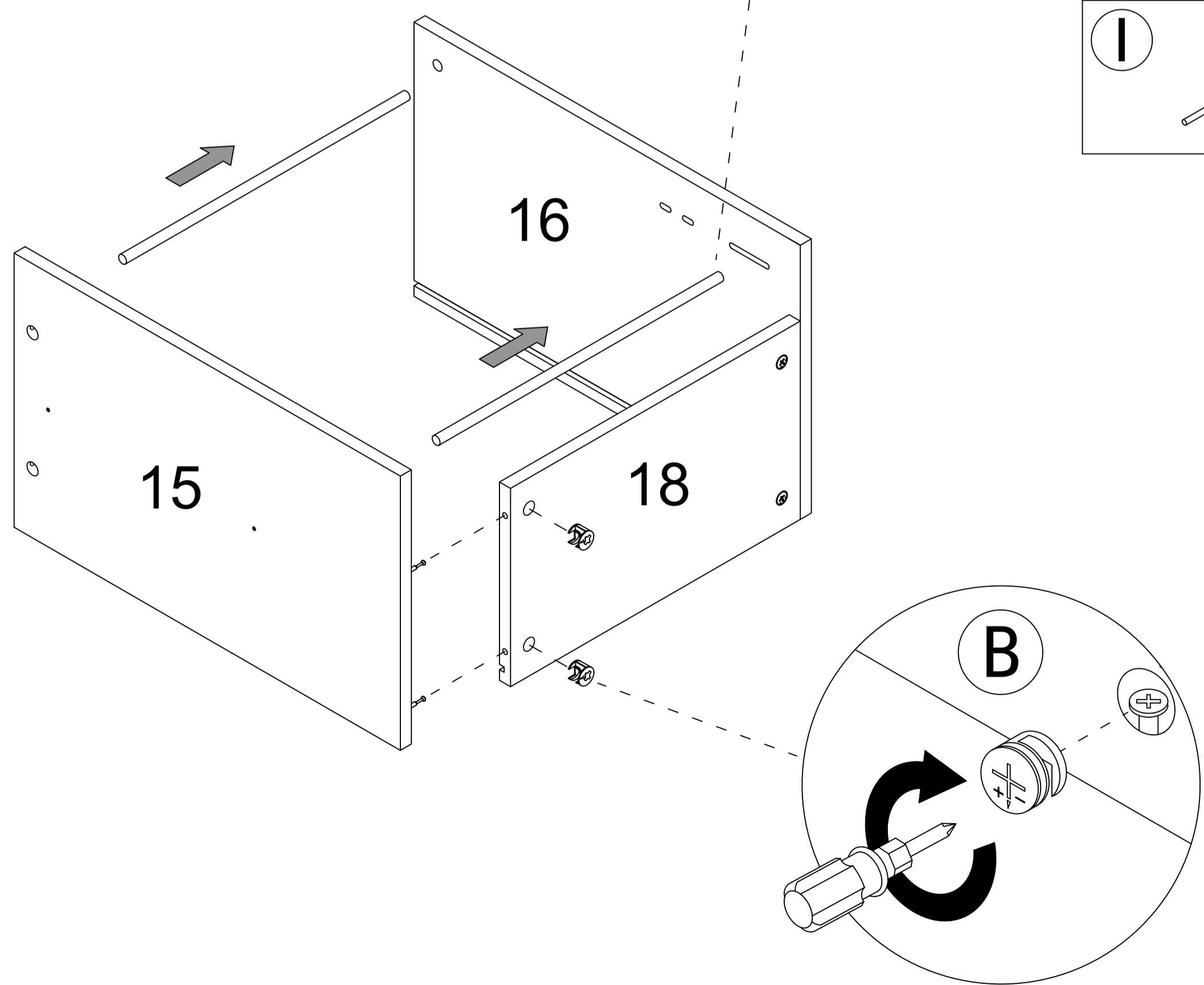


Step 12

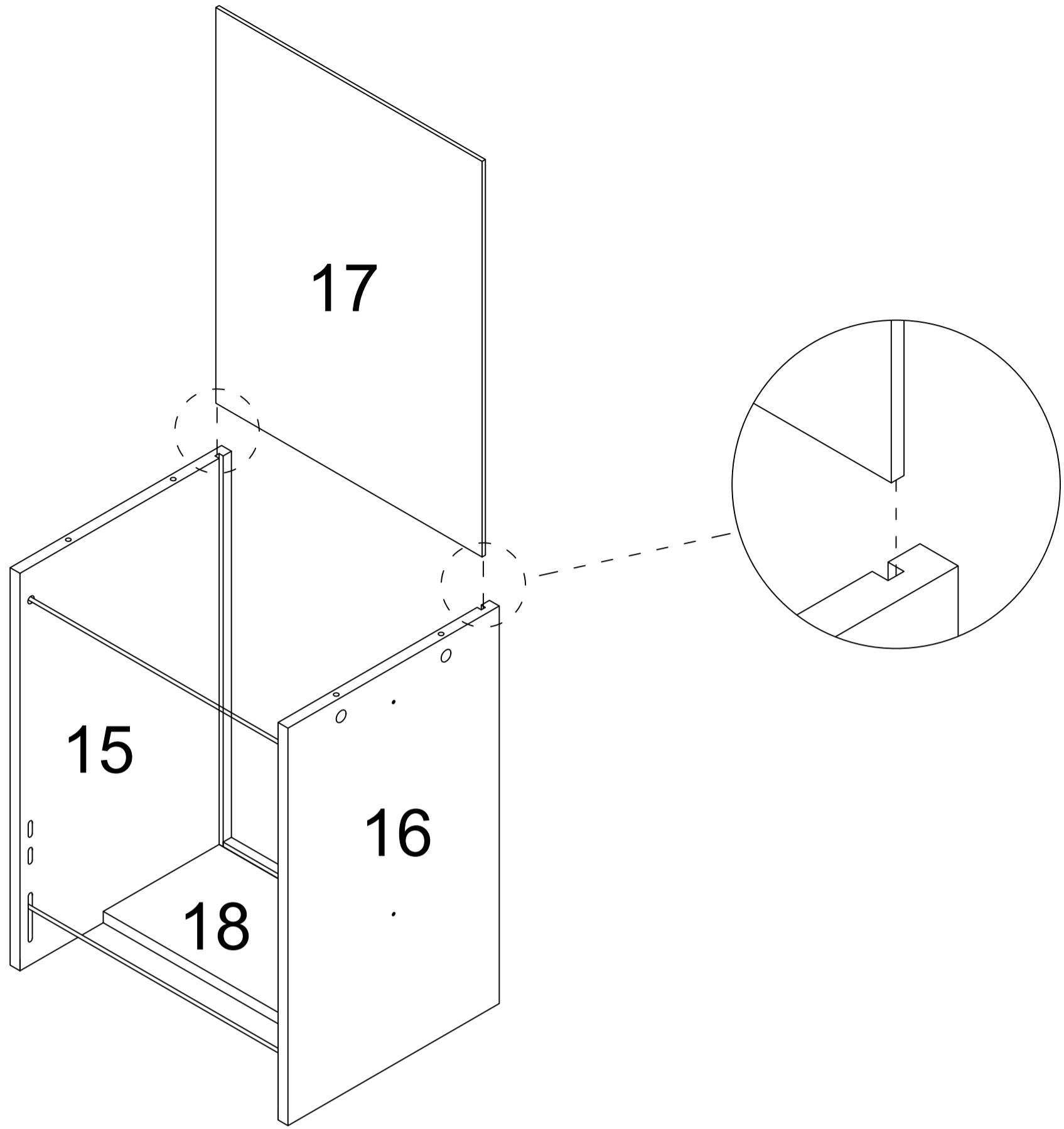
Select the hole position to install the I accessories according to your needs

B  x2

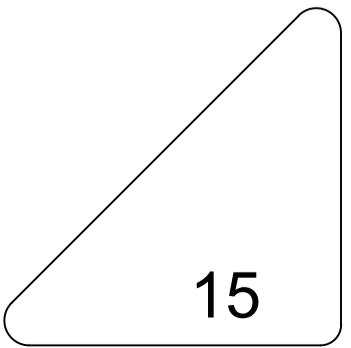
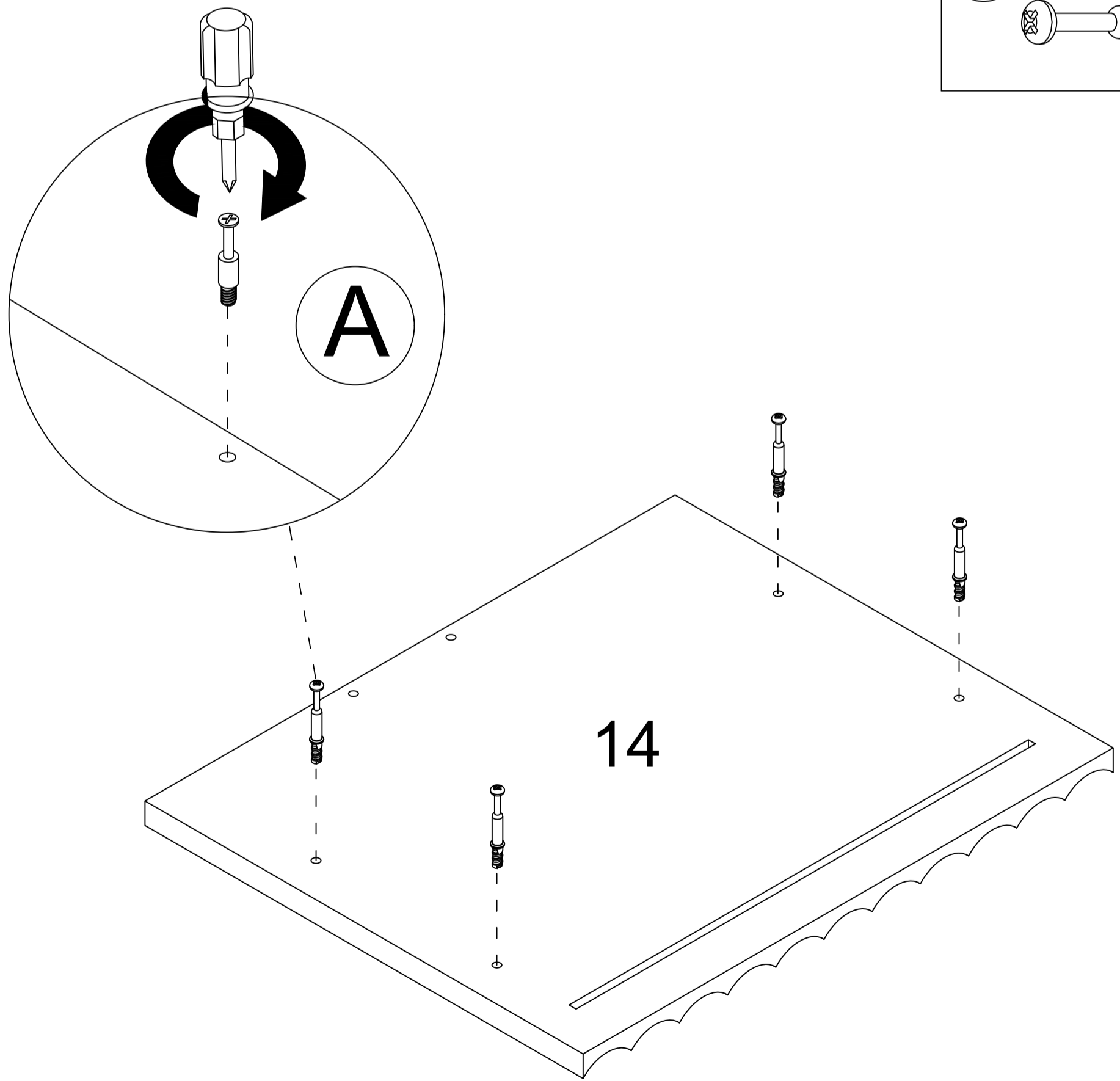
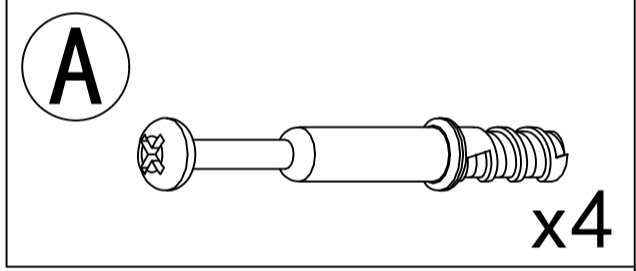
I  x2



Step 13

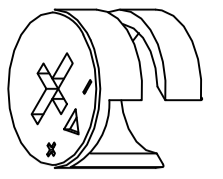


Step 14

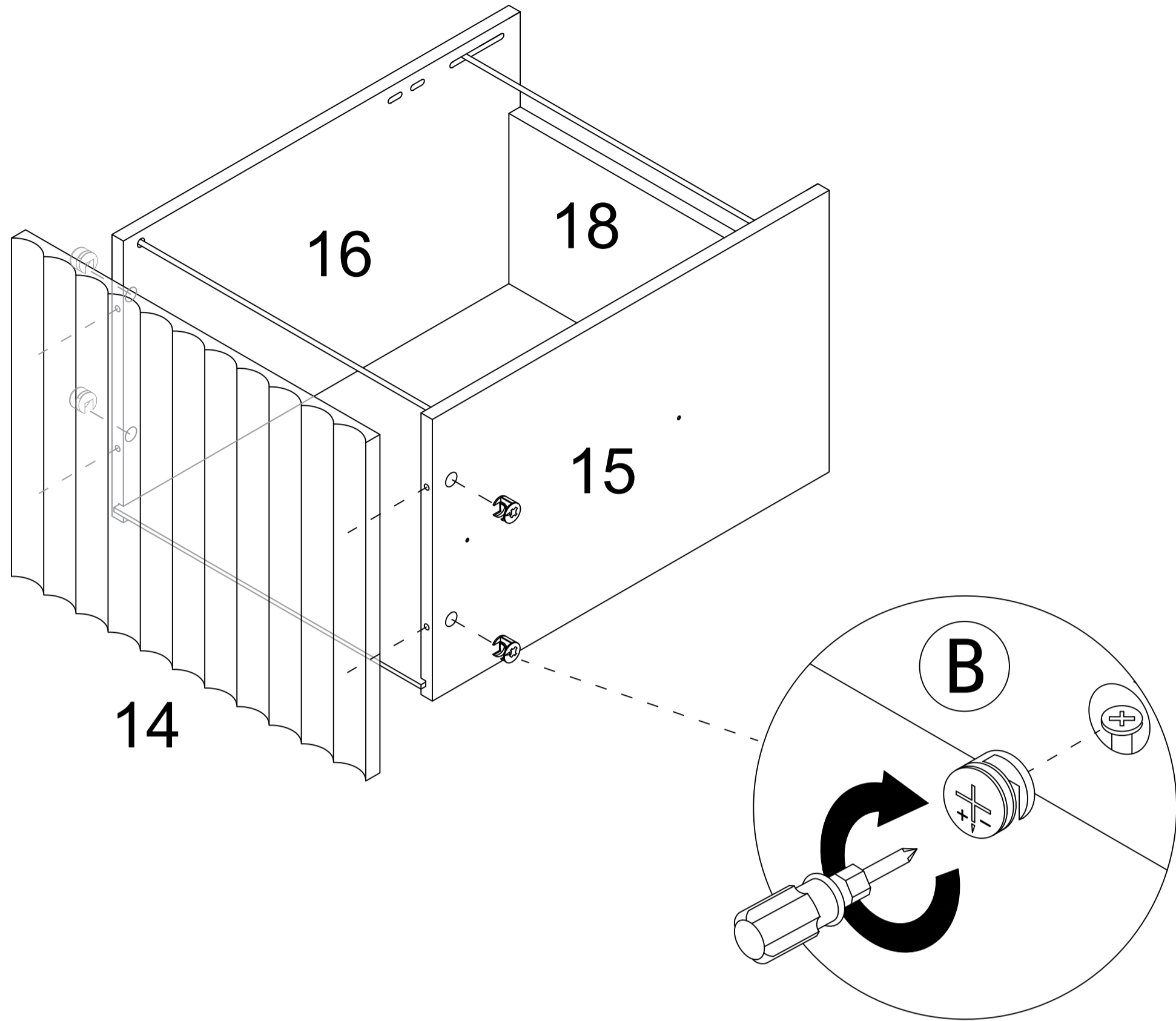


Step 15

B

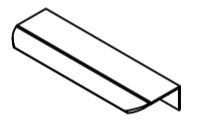


x4



Step 16

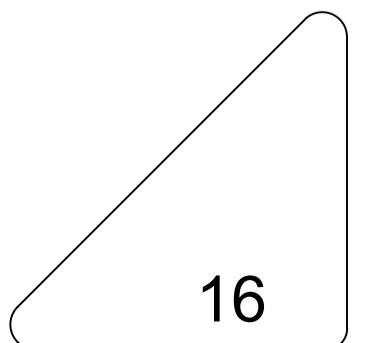
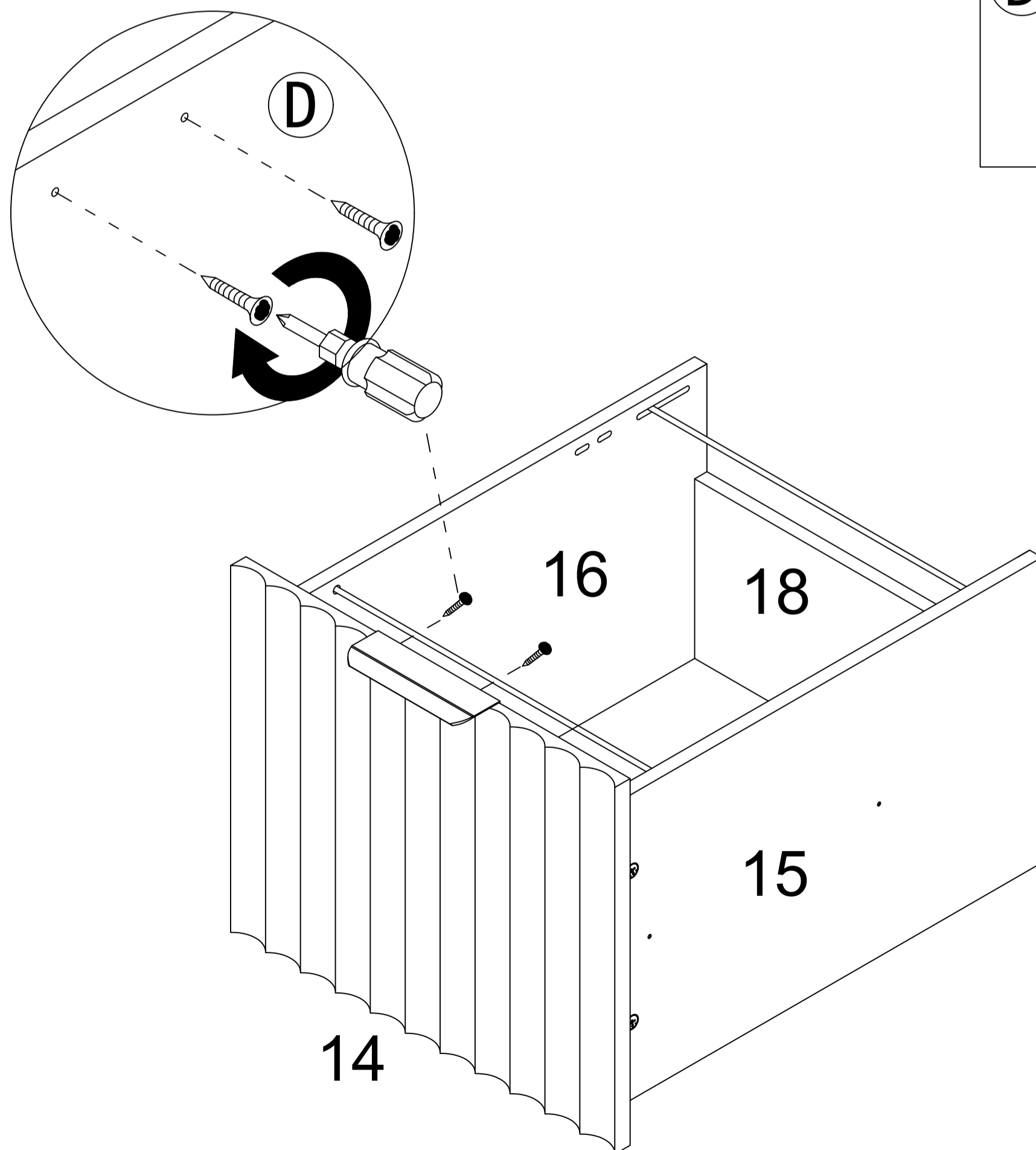
D



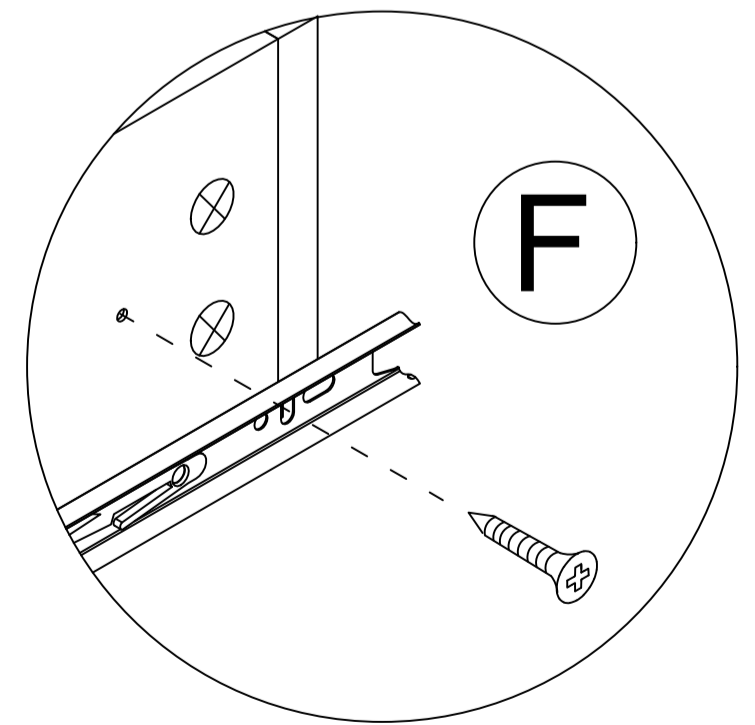
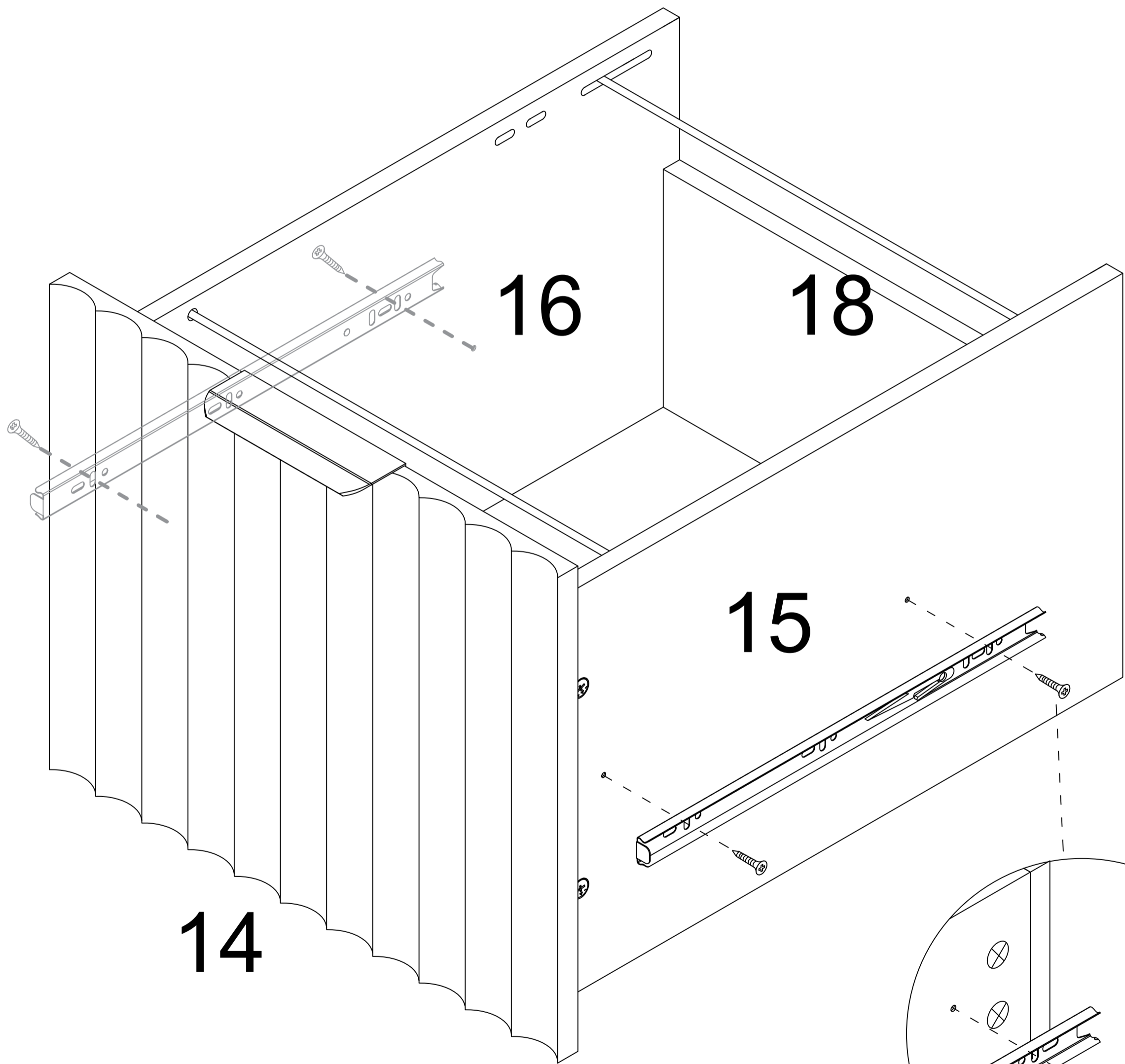
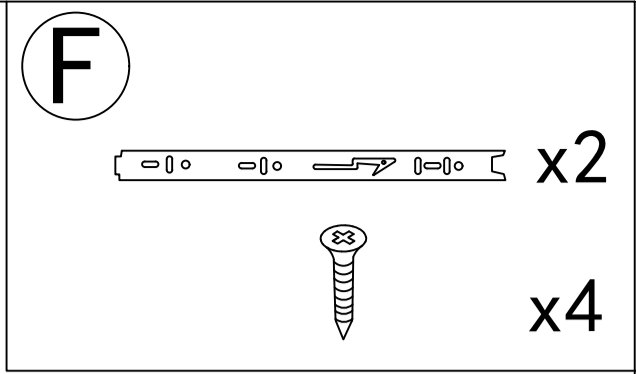
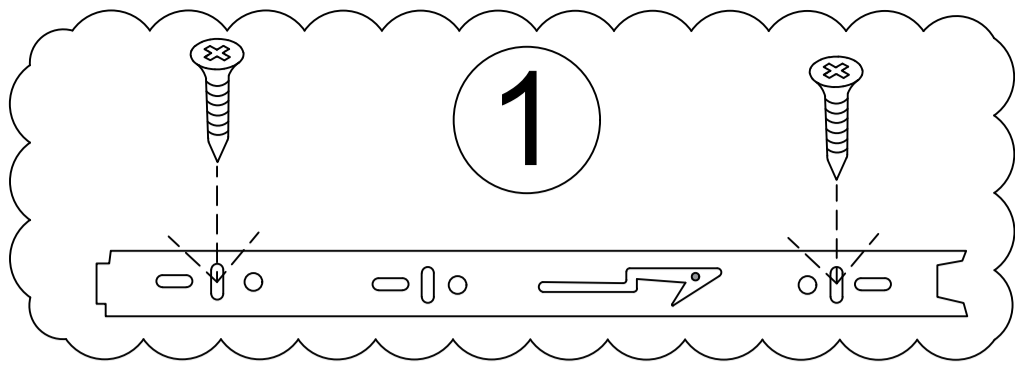
x1



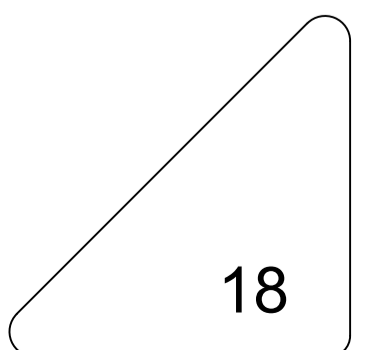
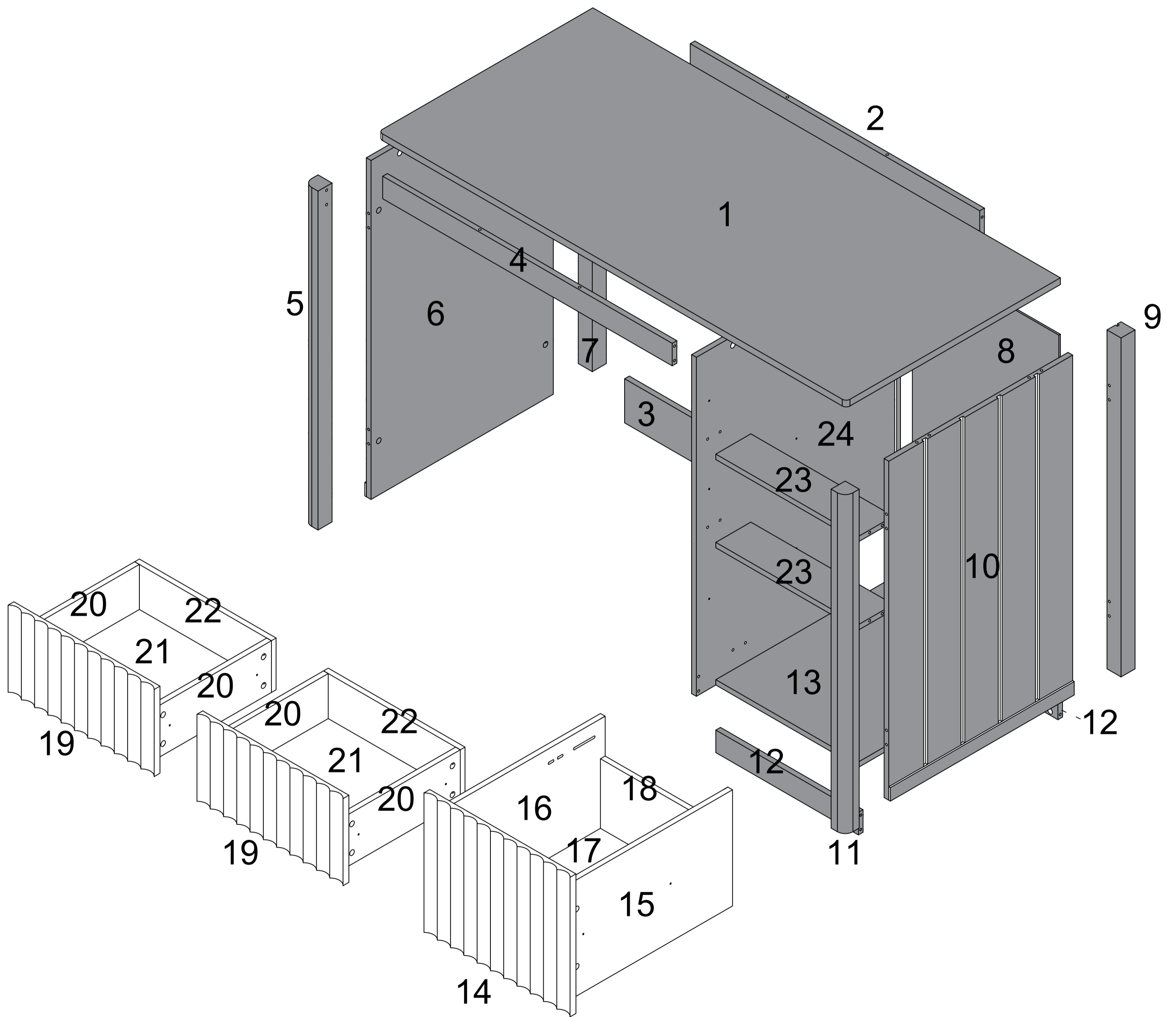
x2



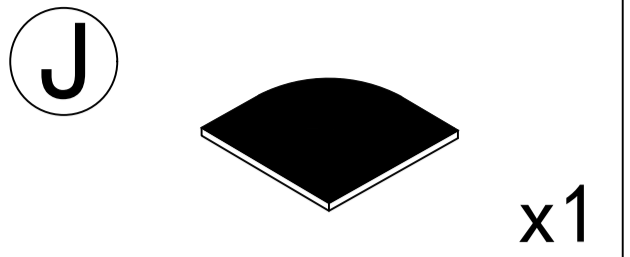
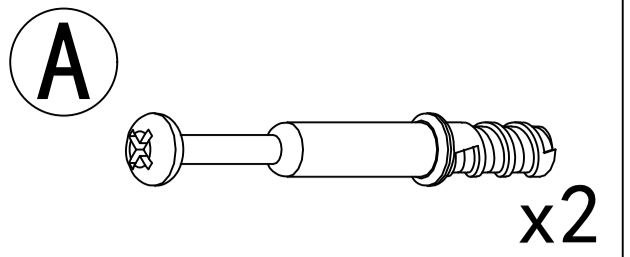
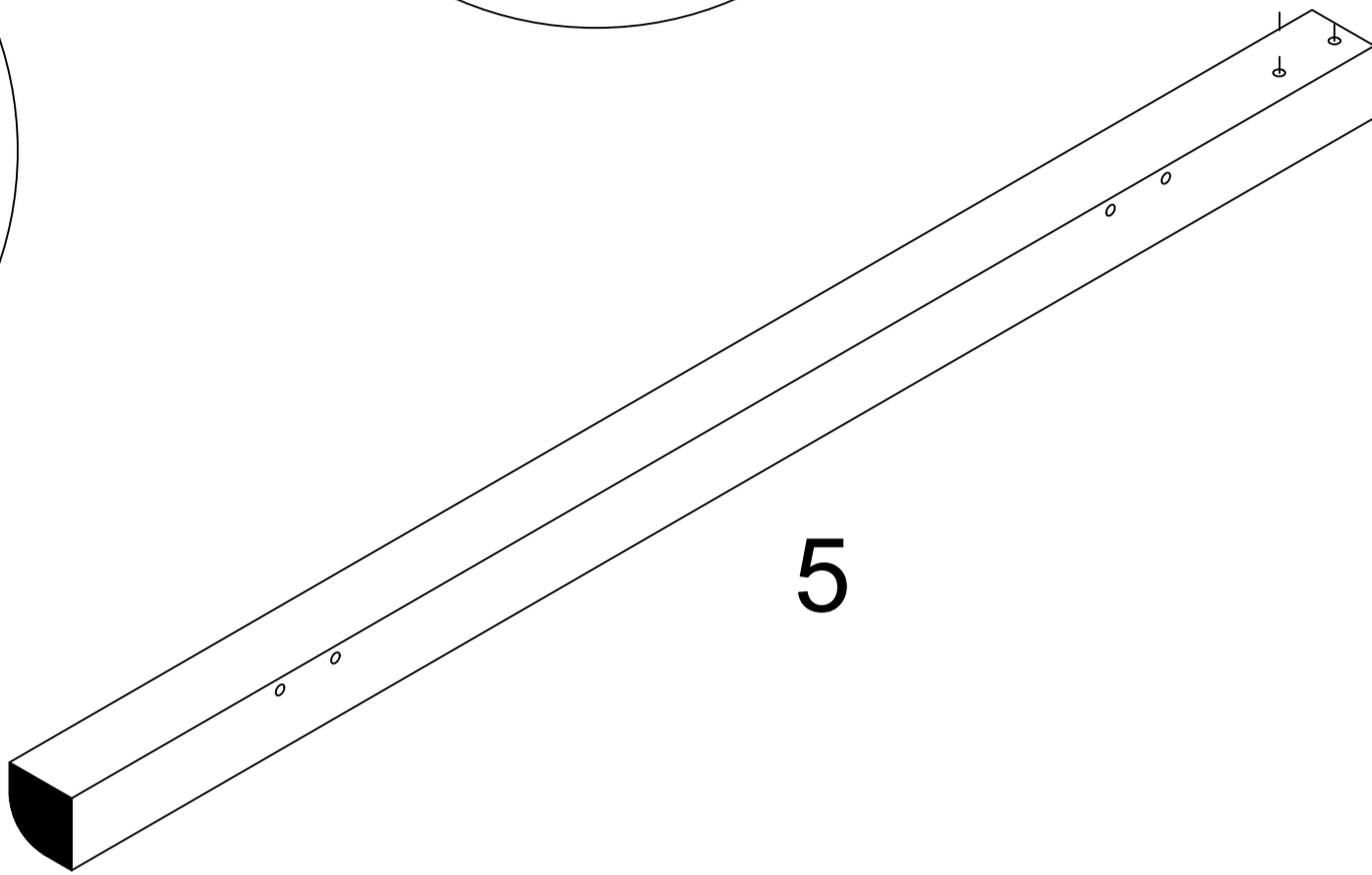
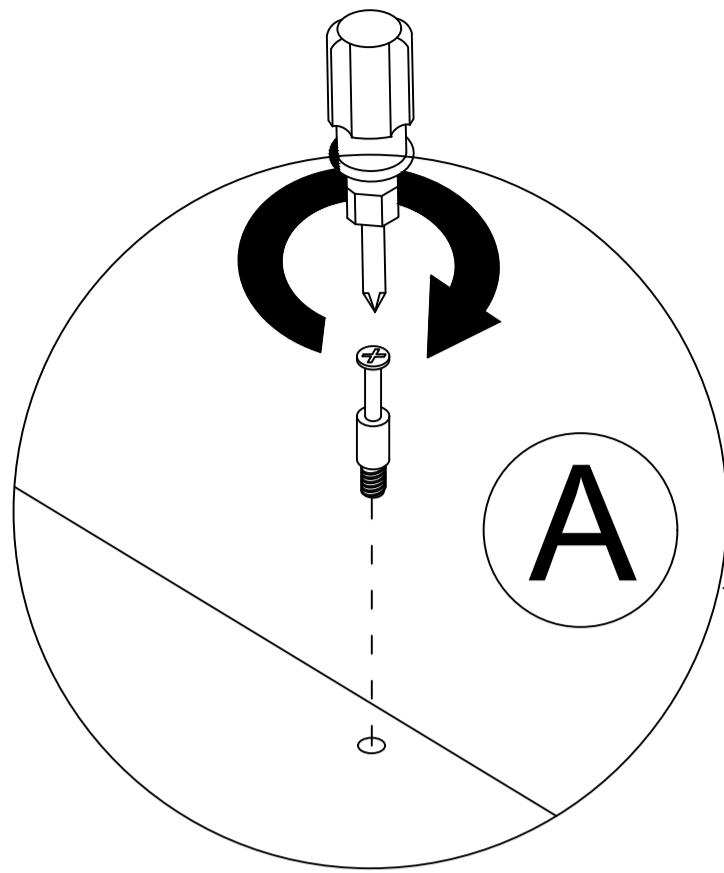
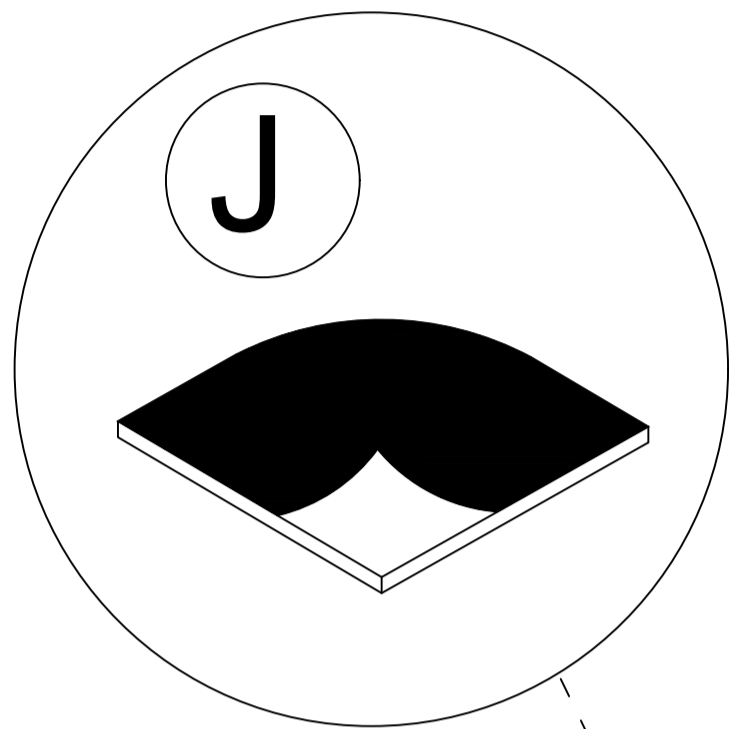
Step 17



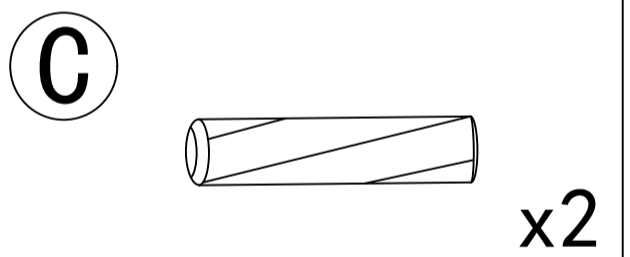
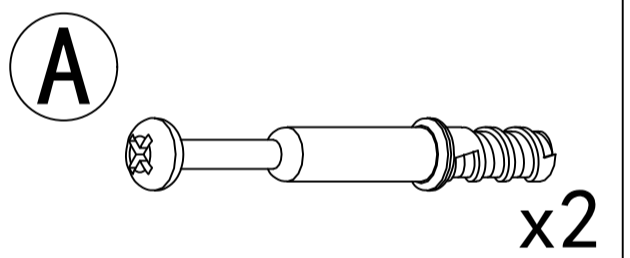
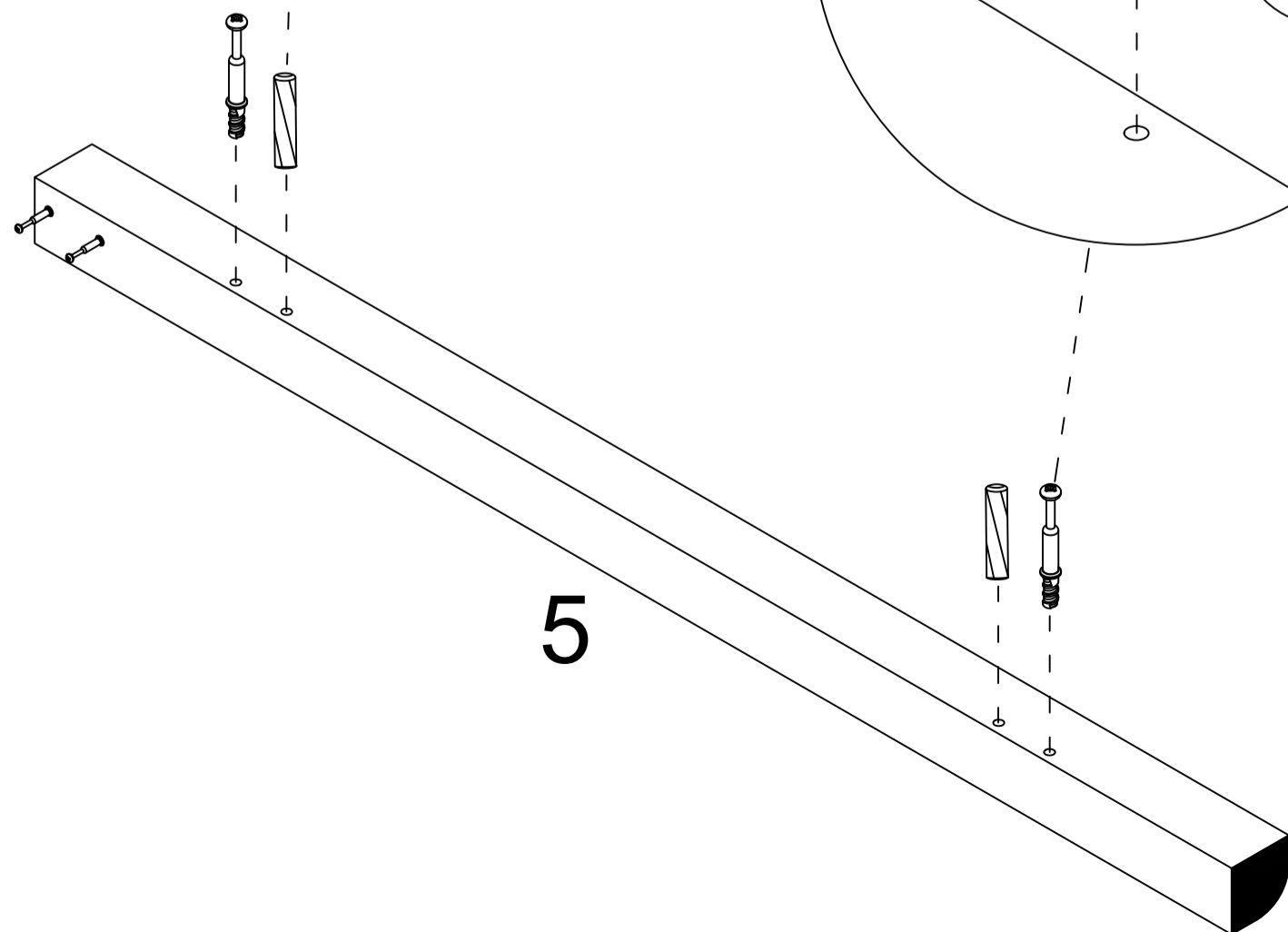
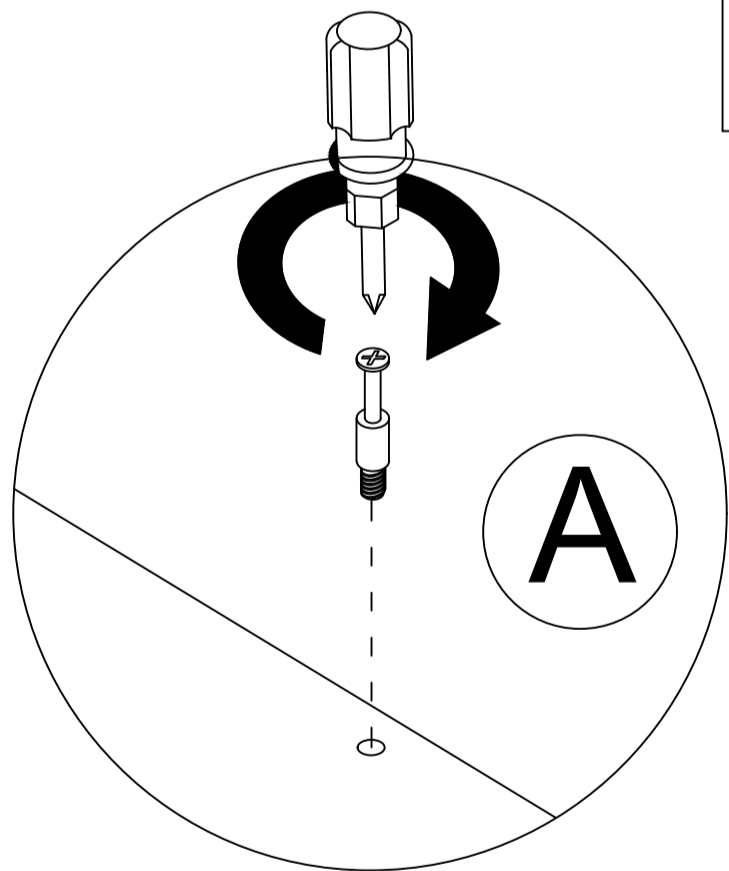
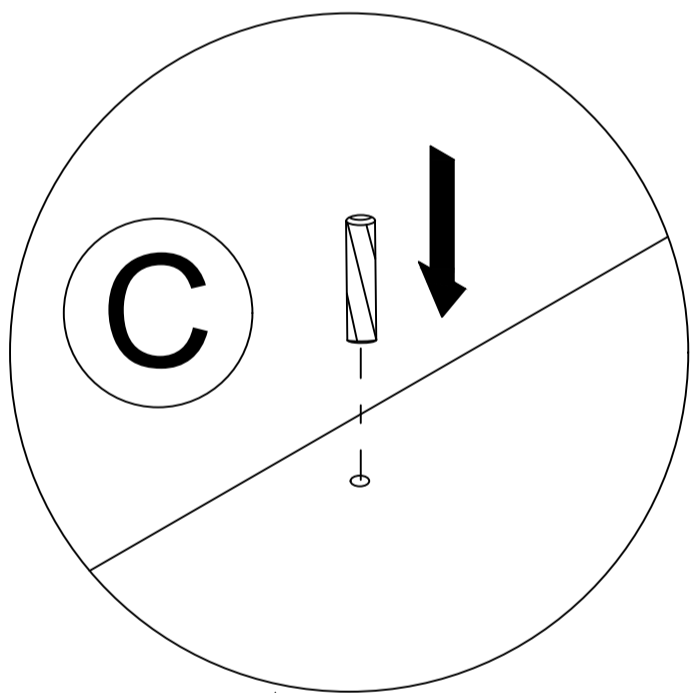
Product Explosion diagram



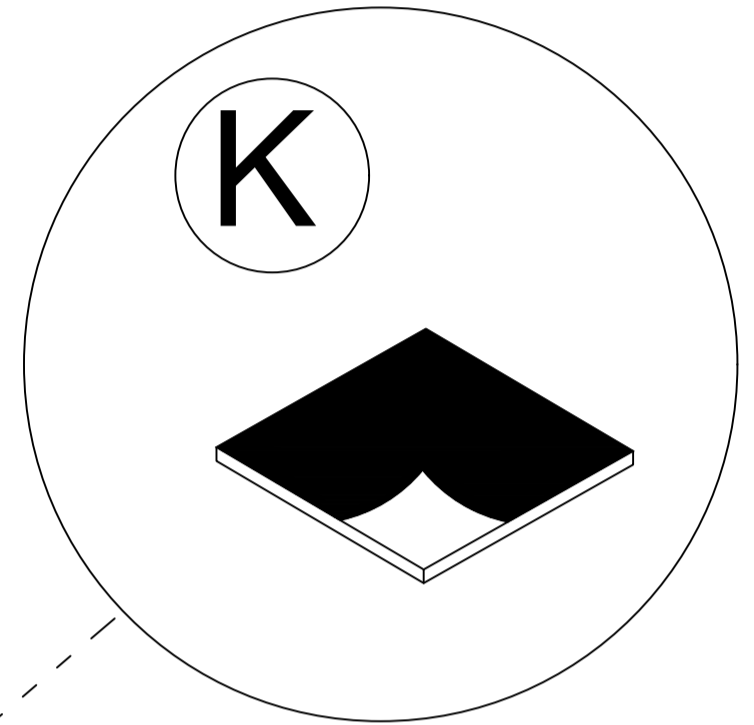
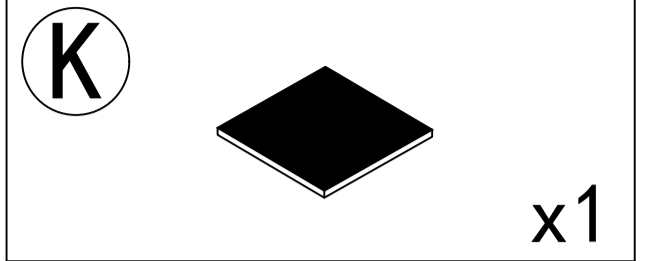
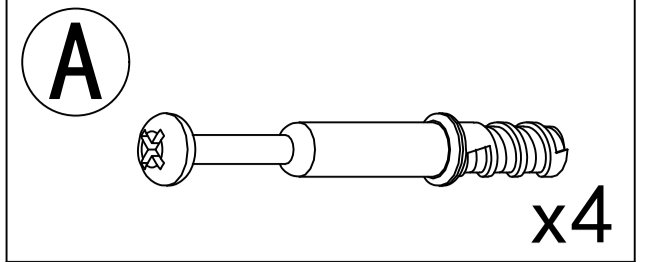
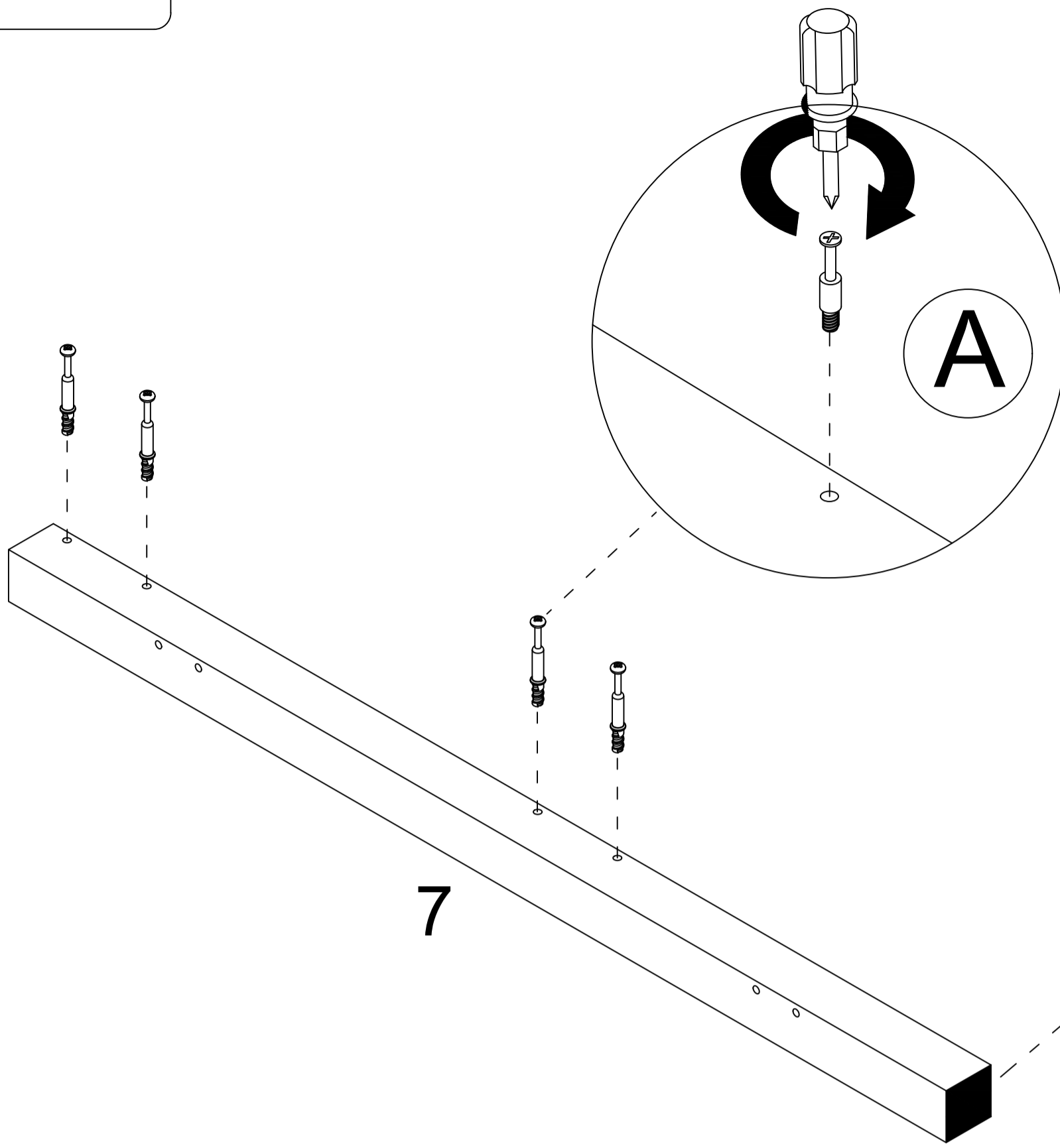
Step 18



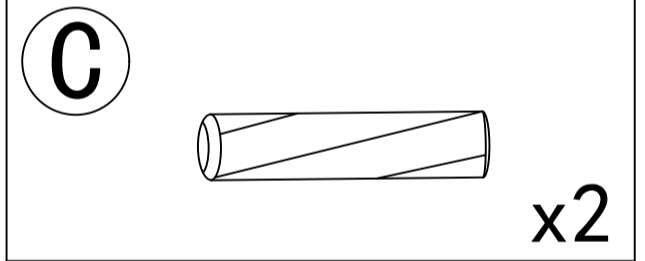
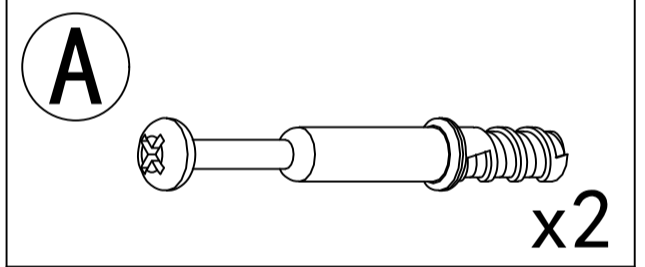
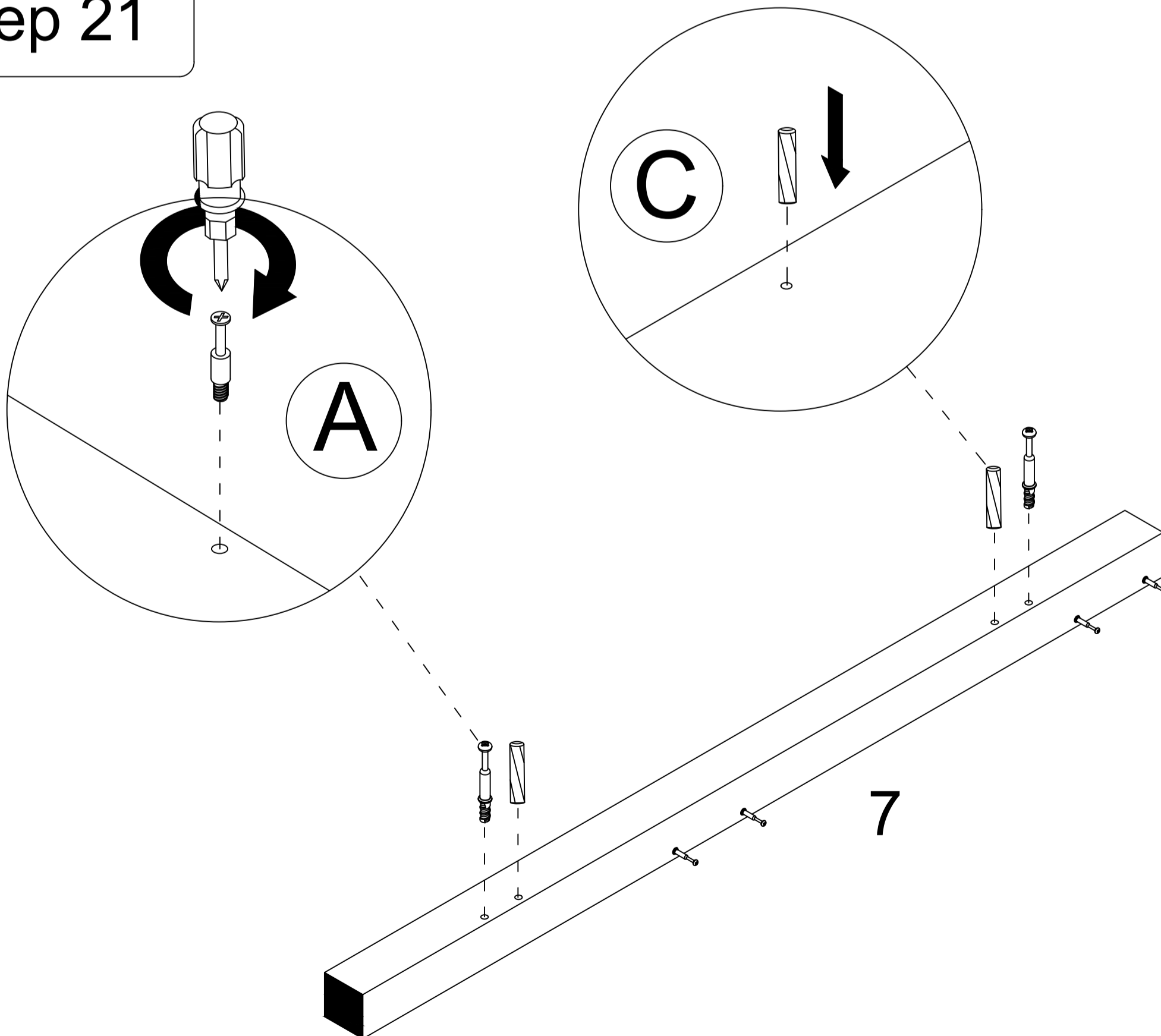
Step 19



Step 20

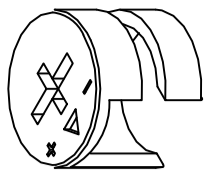


Step 21

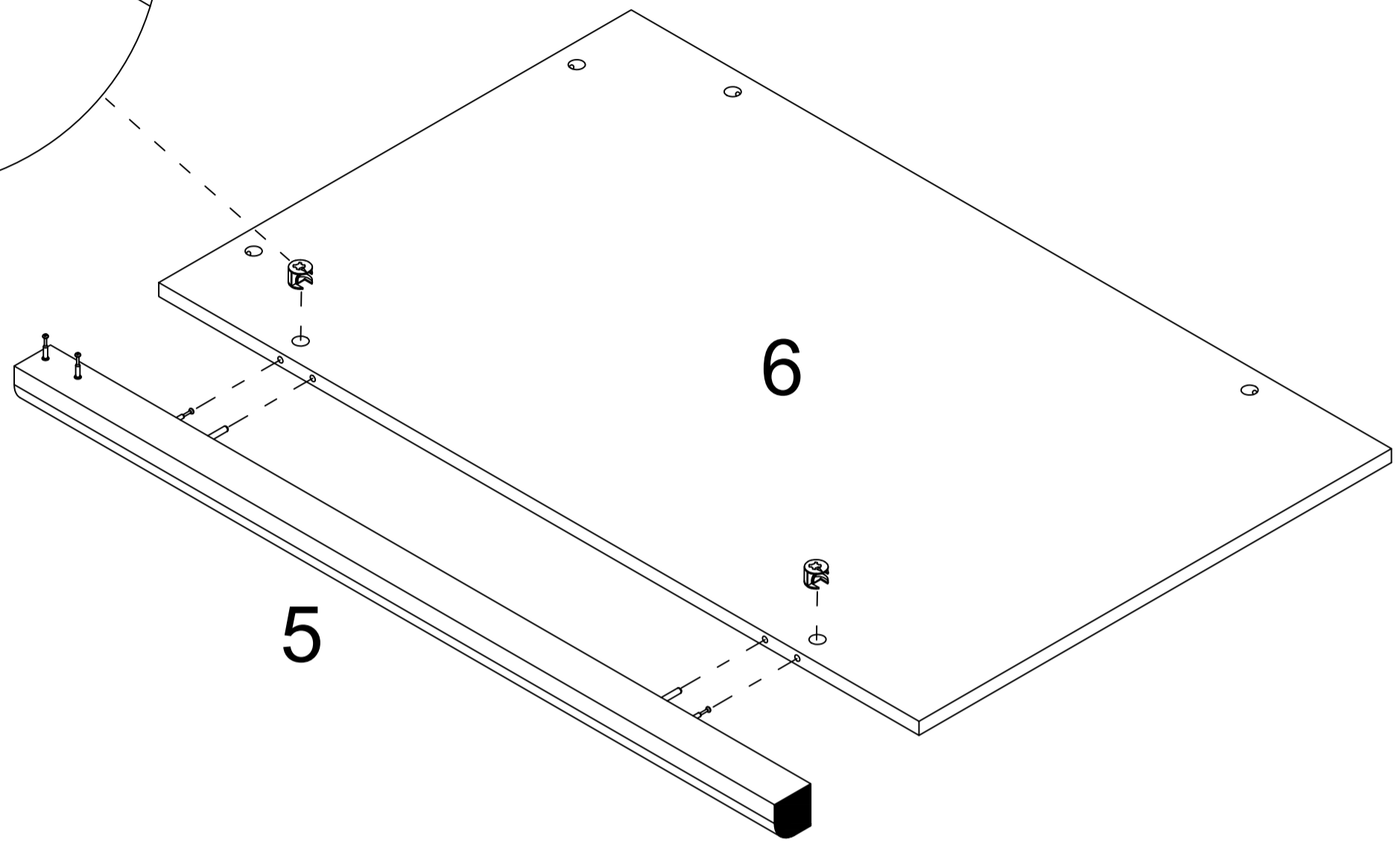
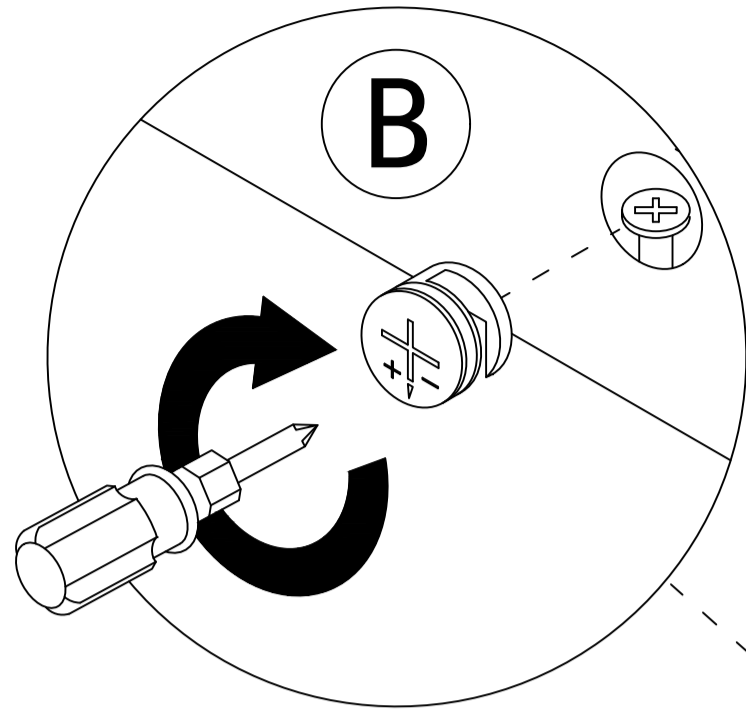


Step 22

B

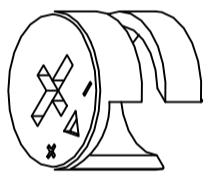


x2

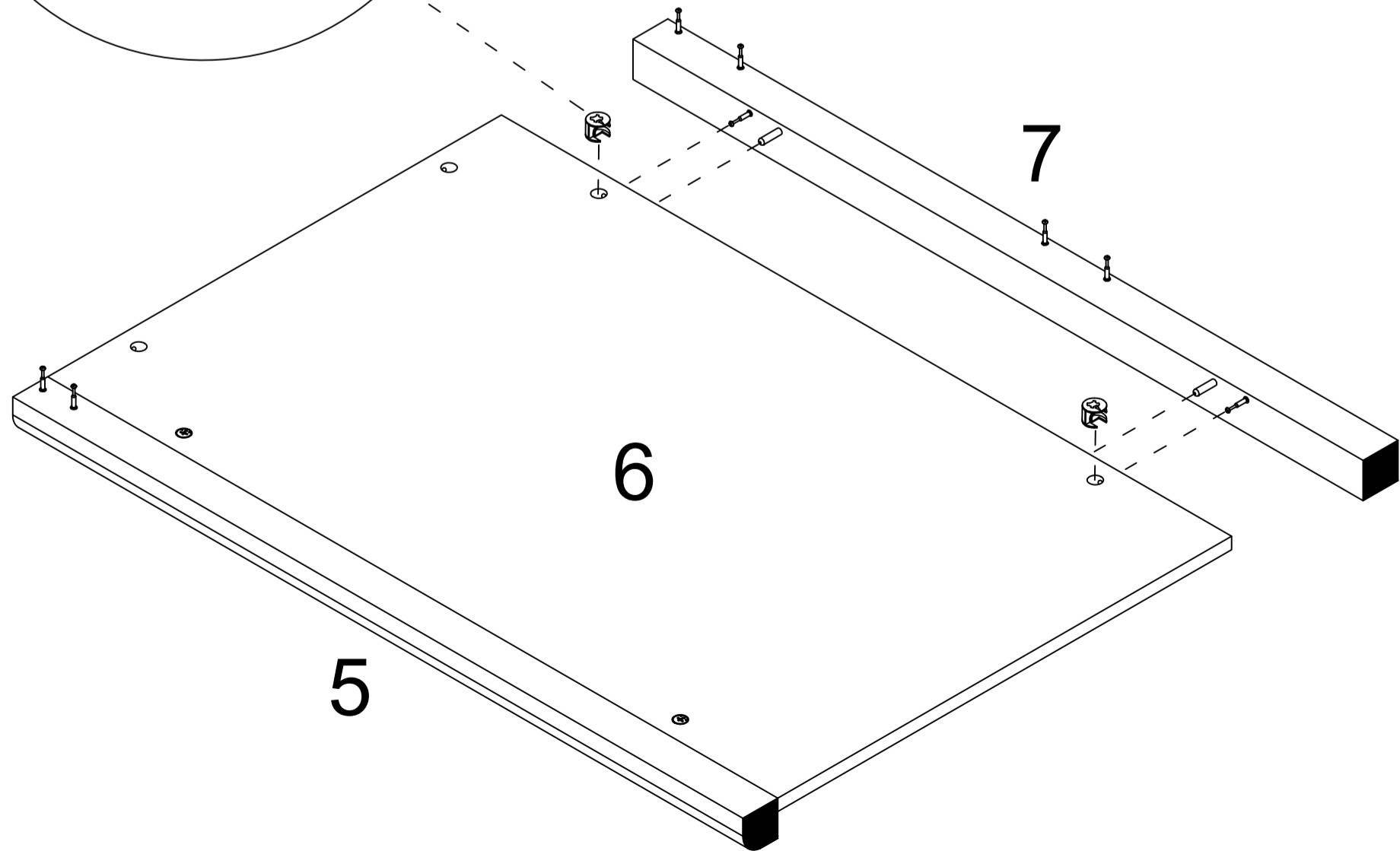
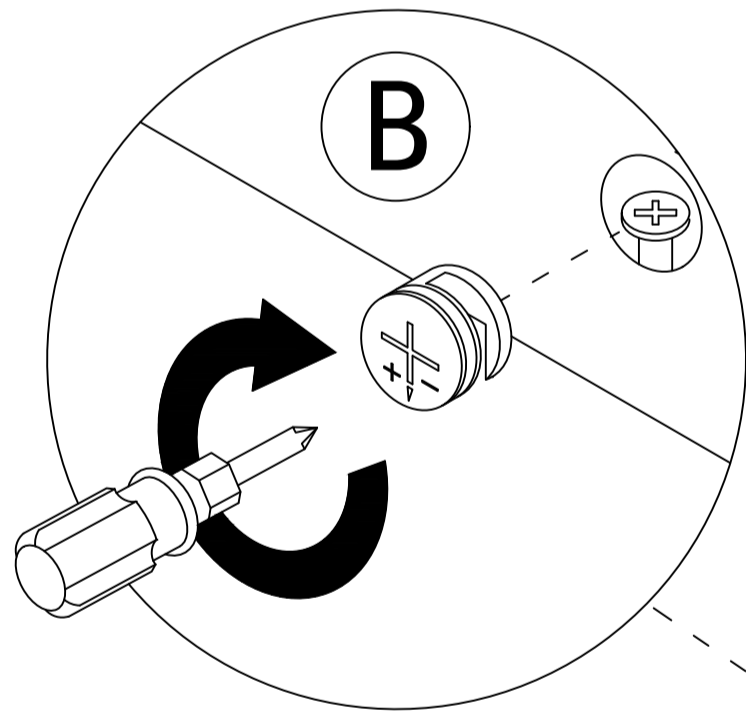


Step 23

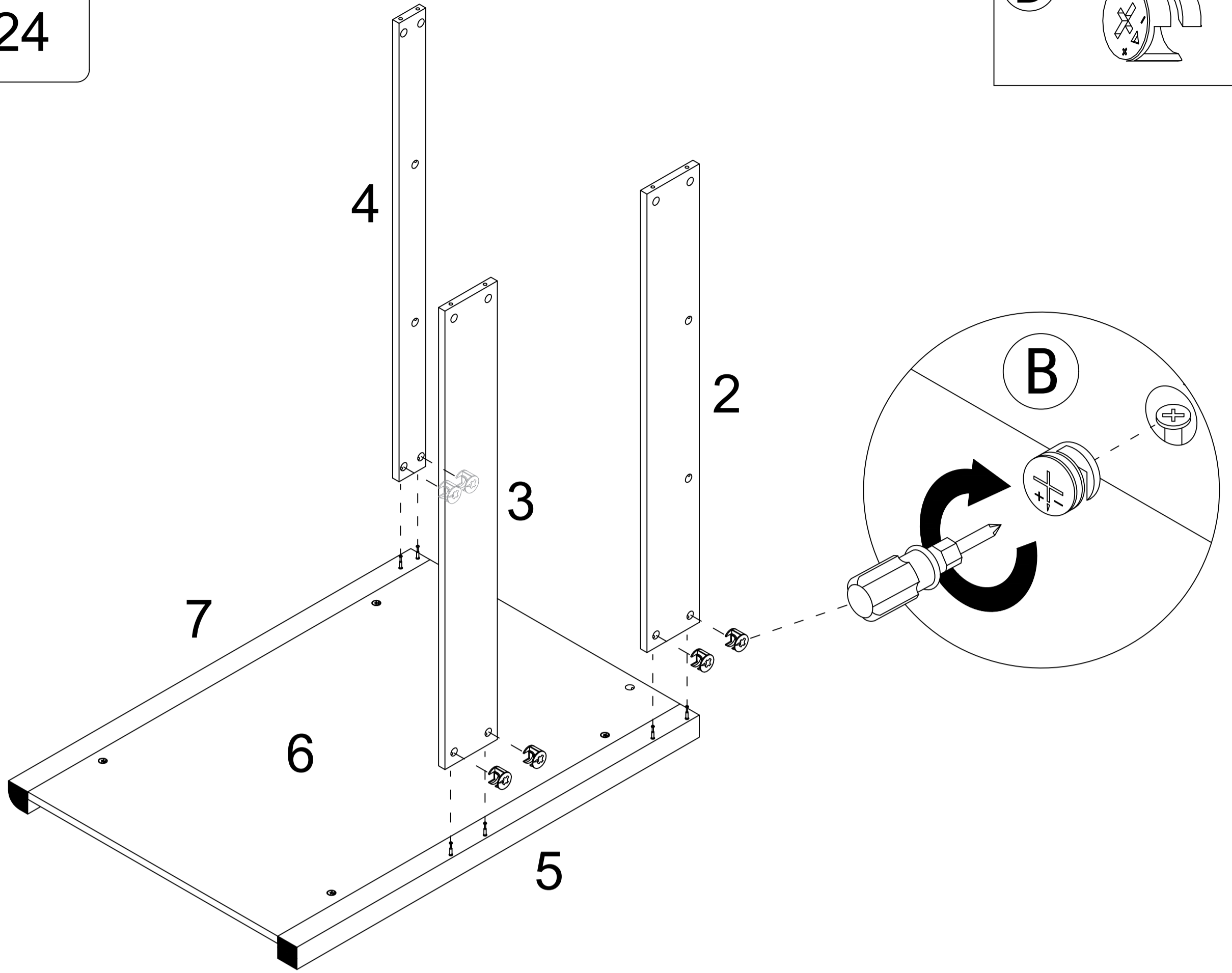
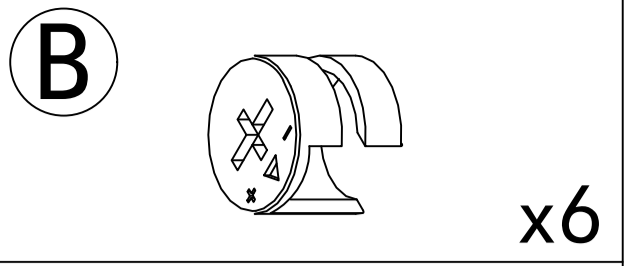
B



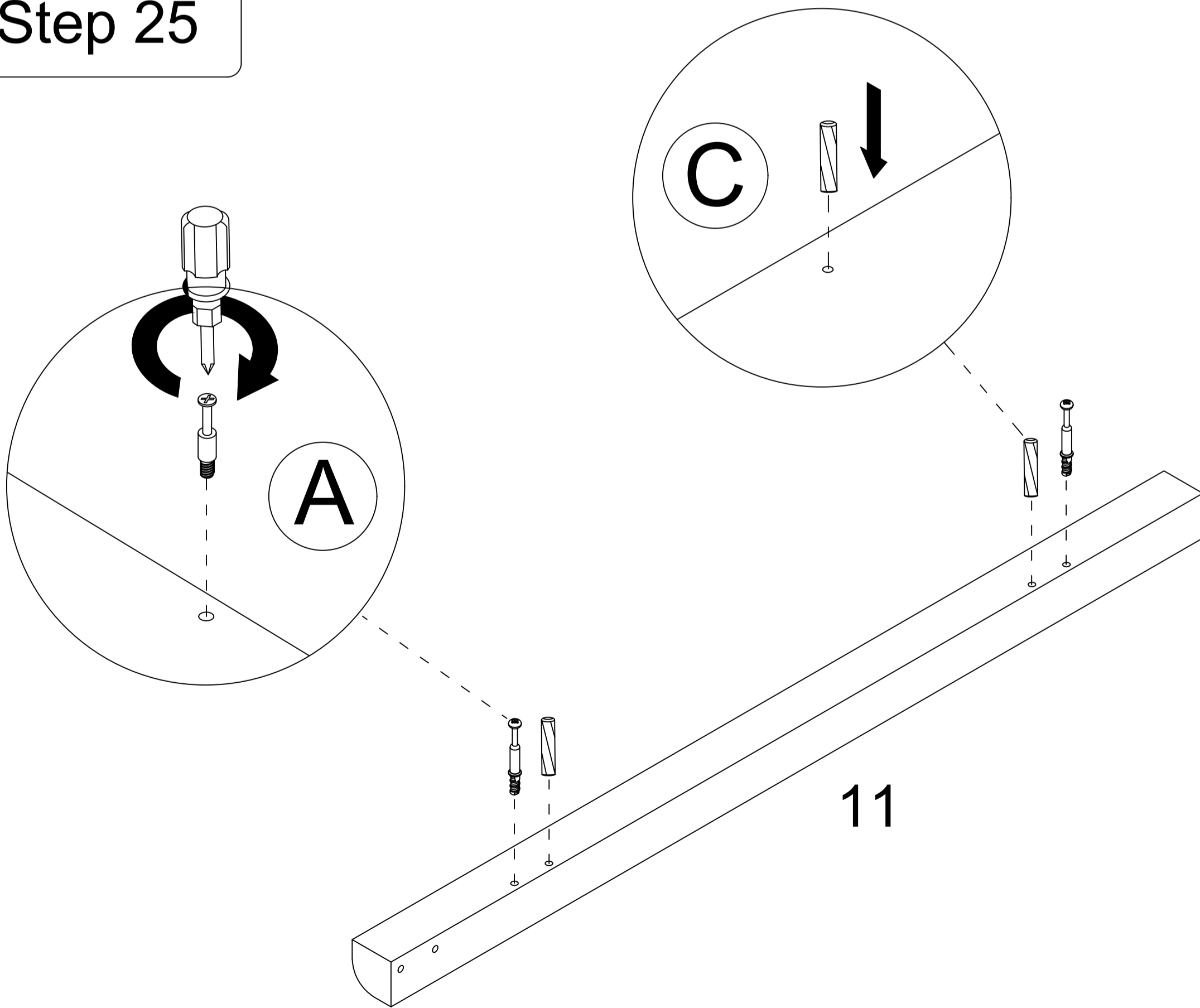
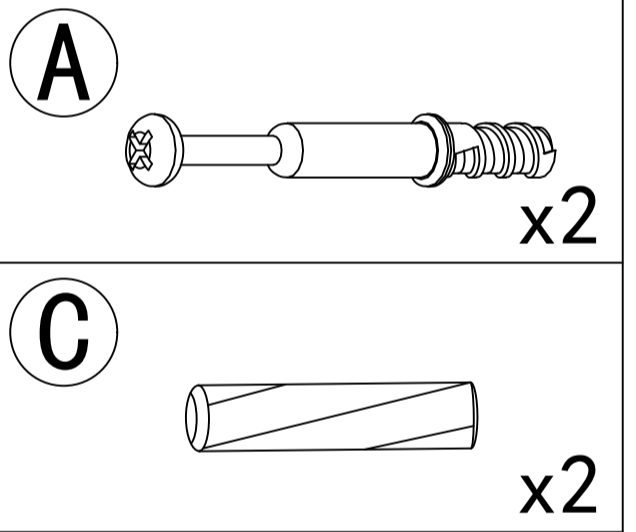
x2



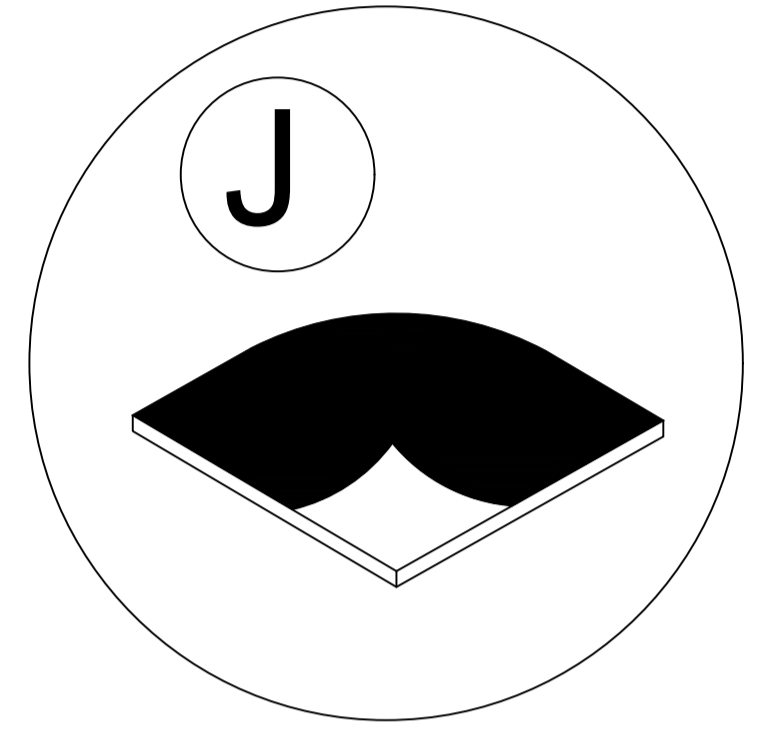
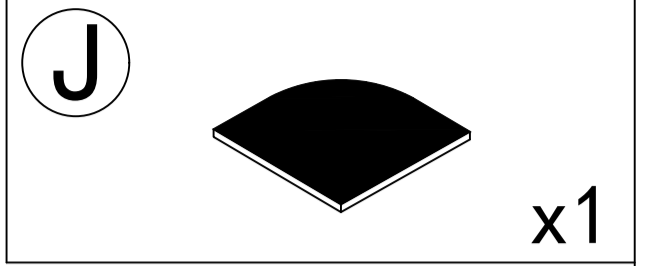
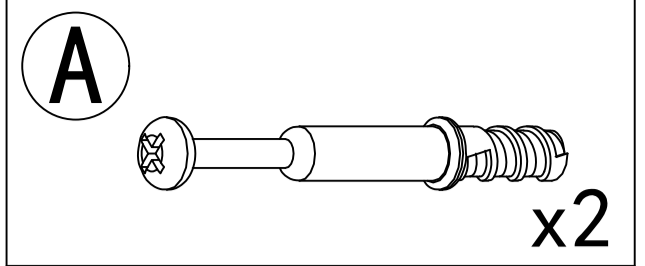
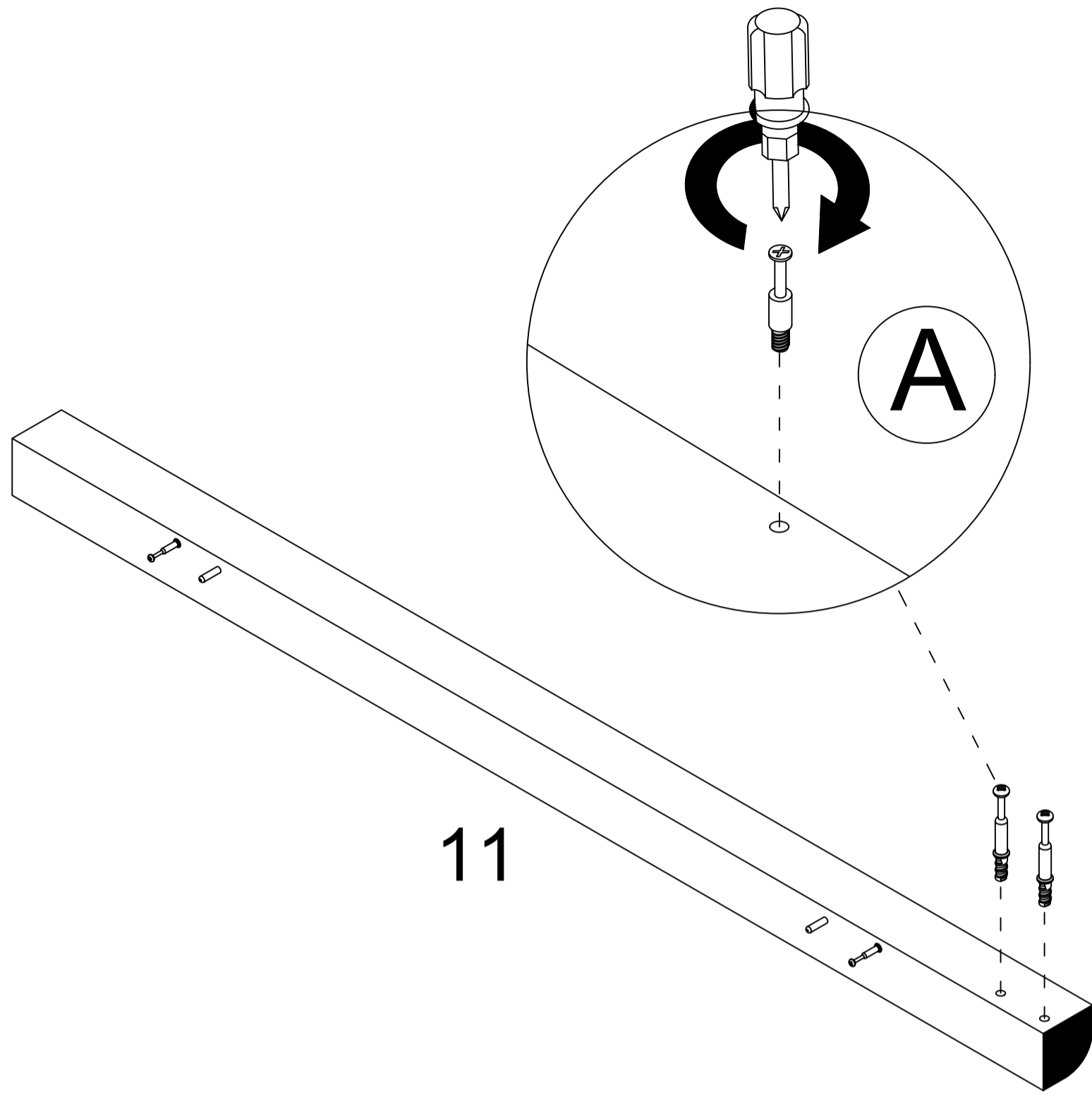
Step 24



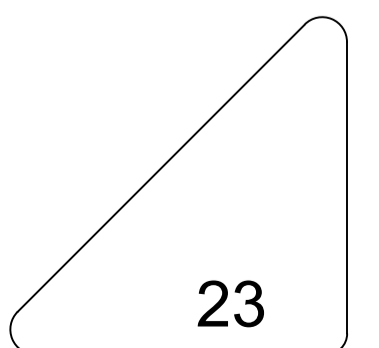
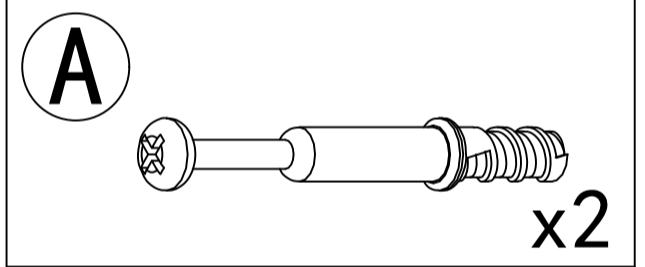
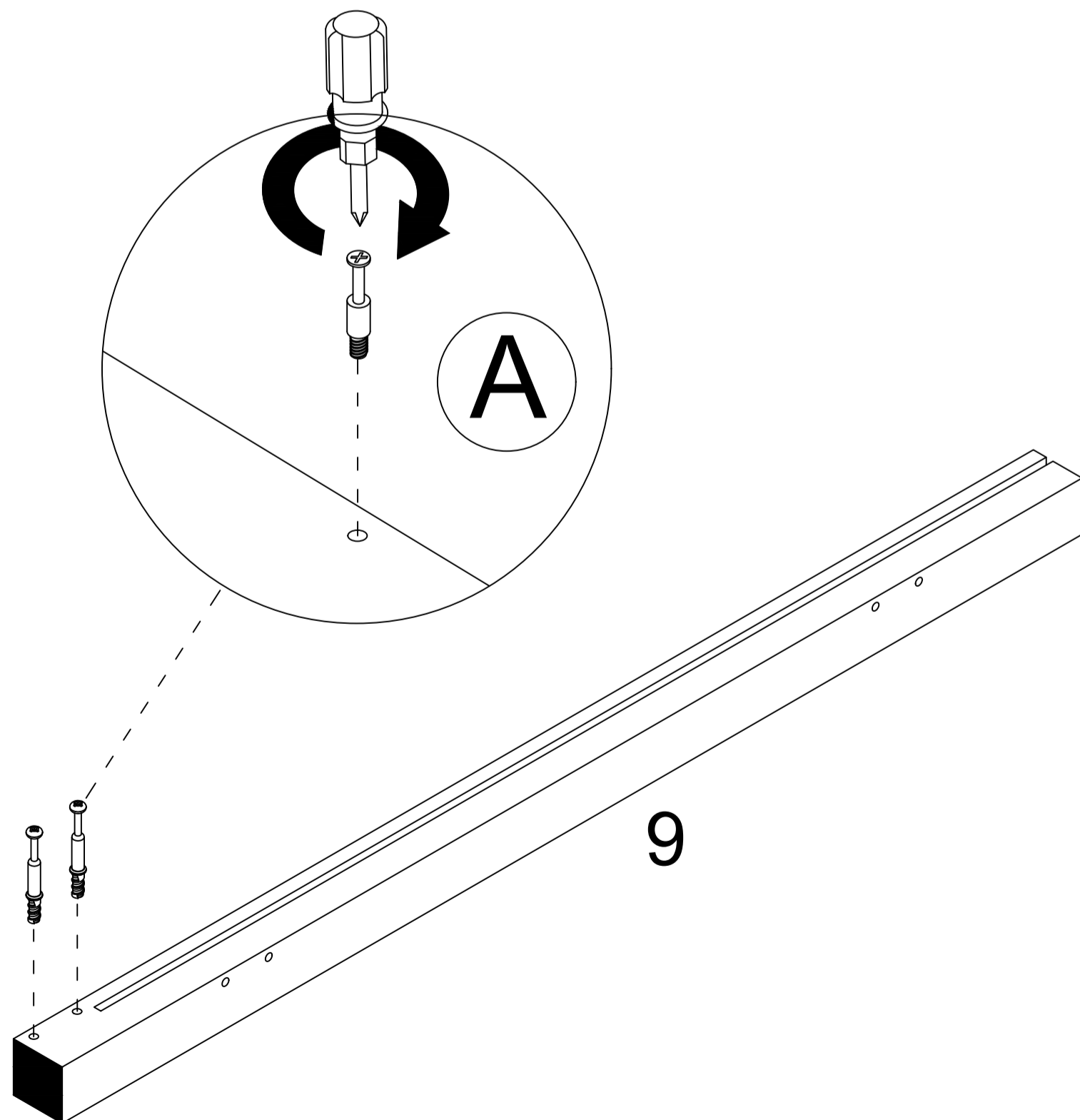
Step 25



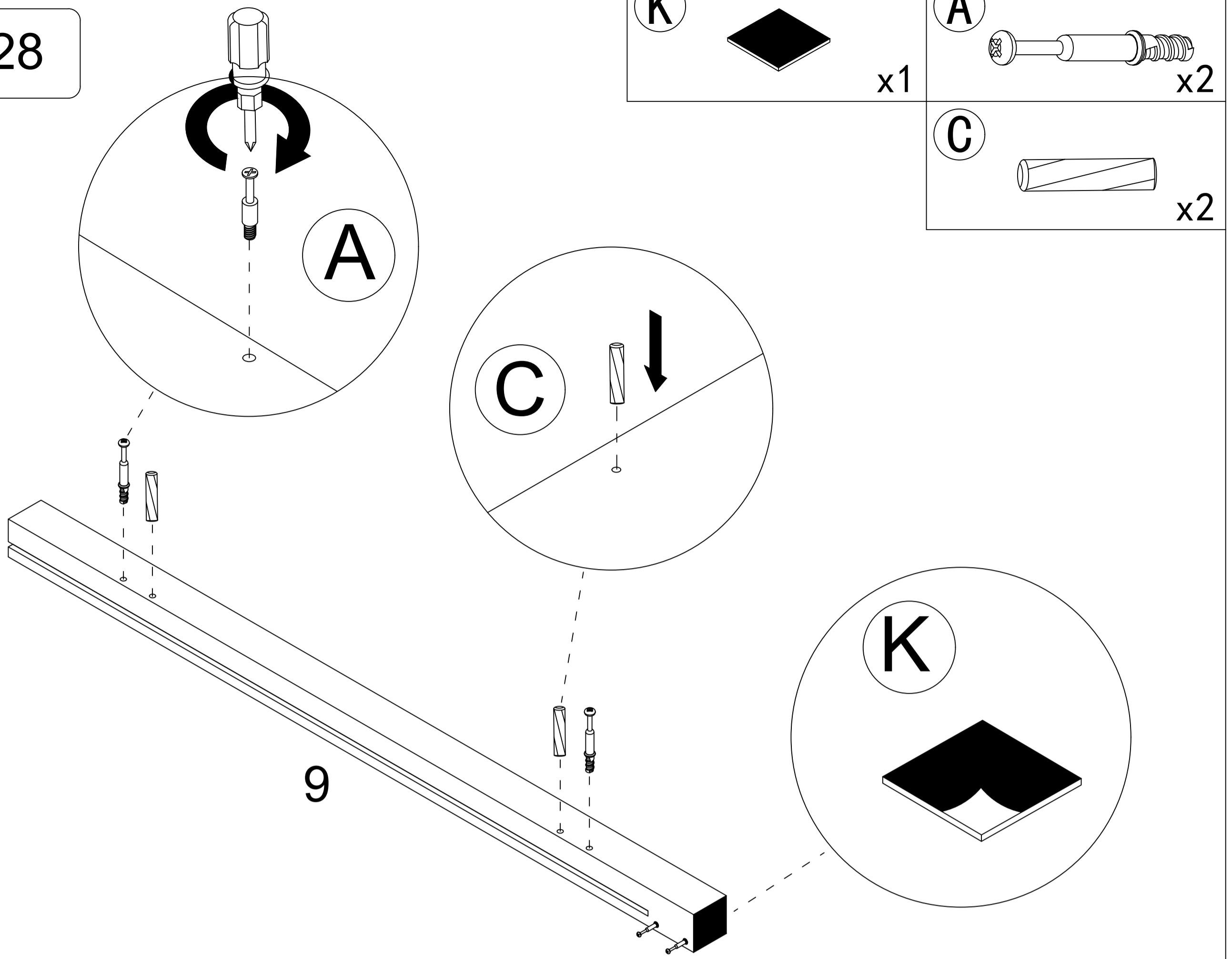
Step 26



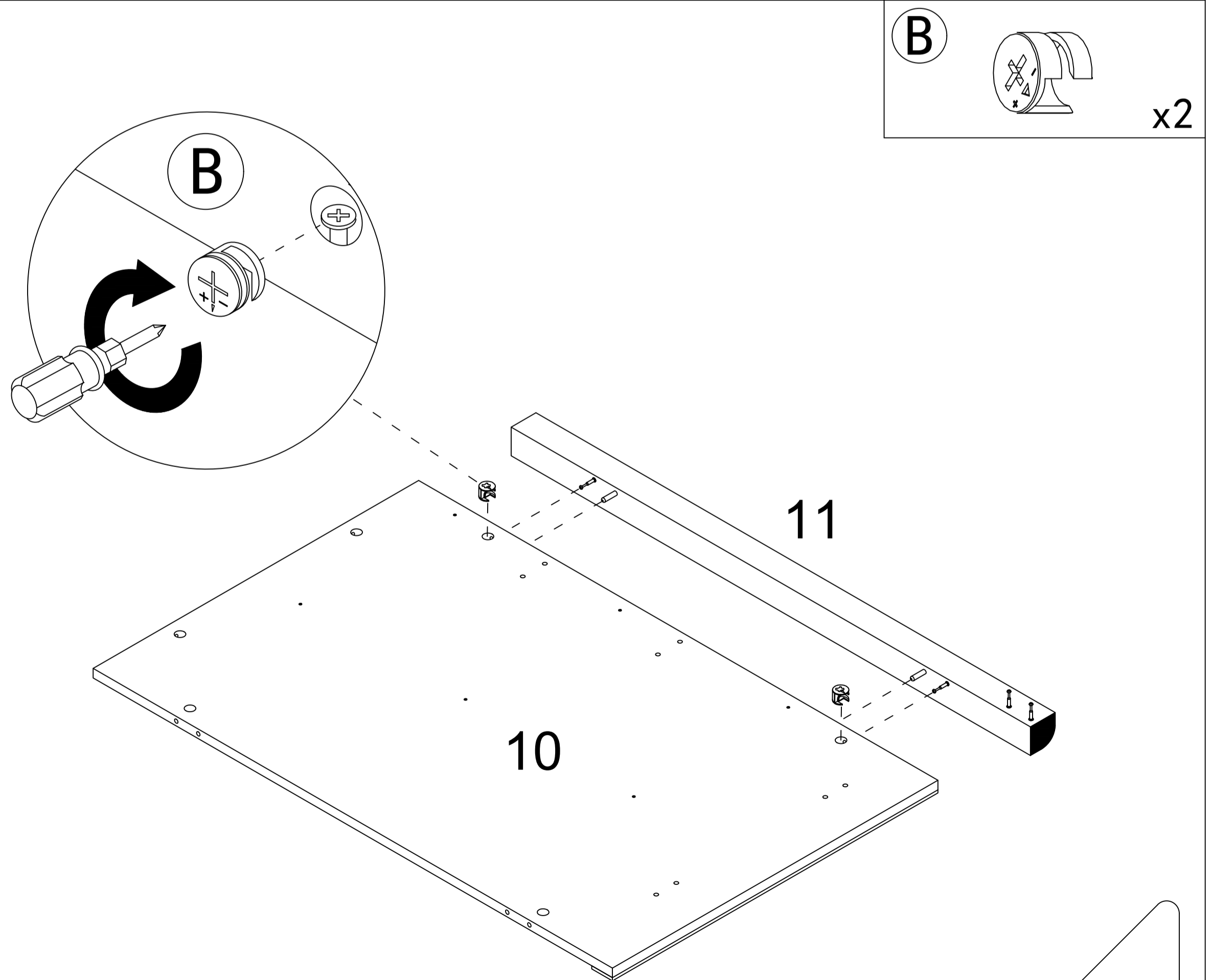
Step 27



Step 28

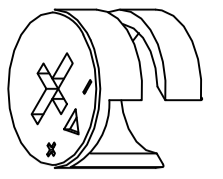


Step 29

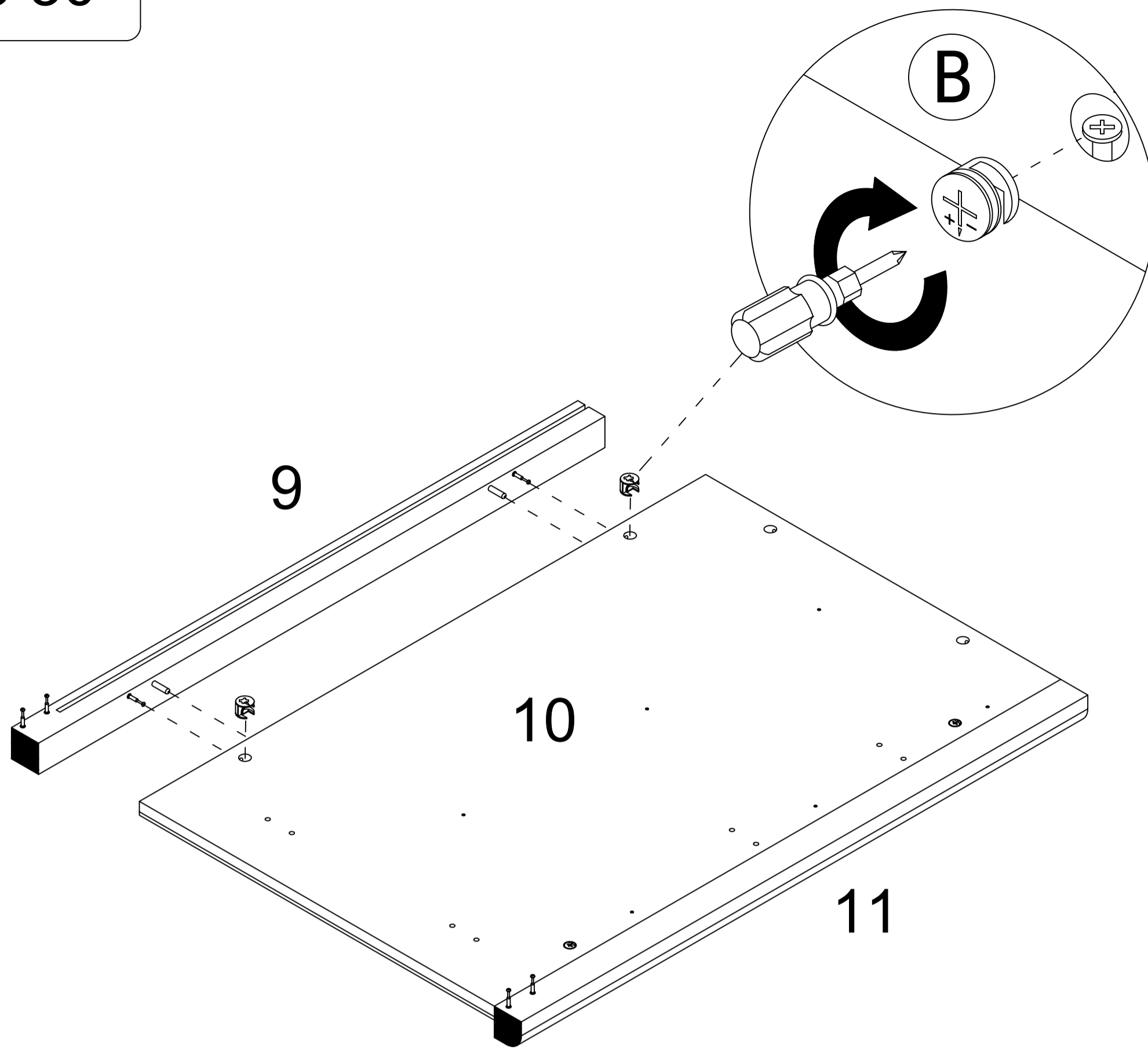


Step 30

B

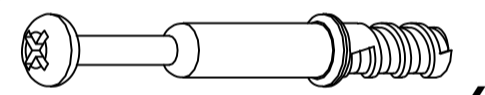


x2

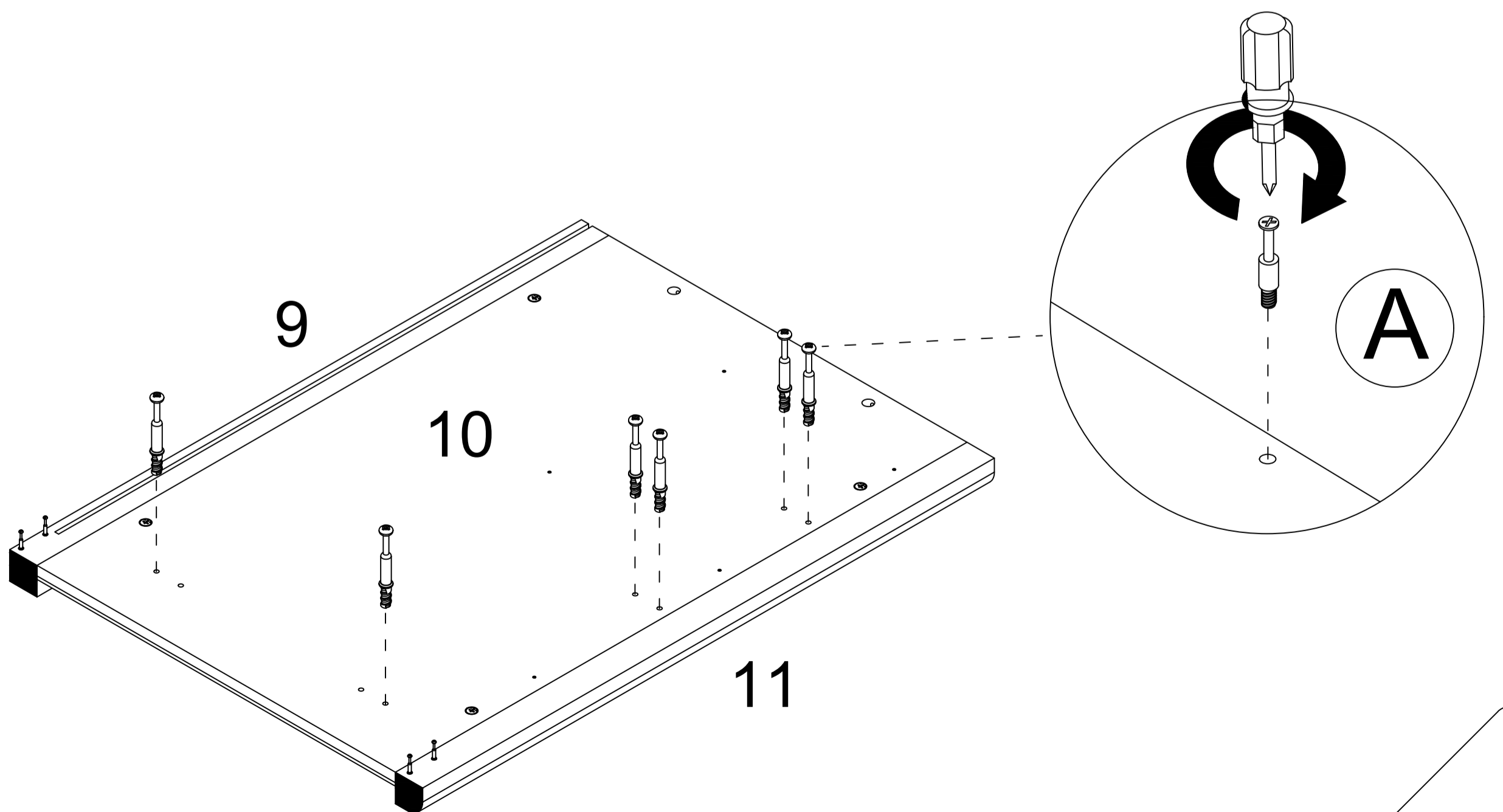


Step 31

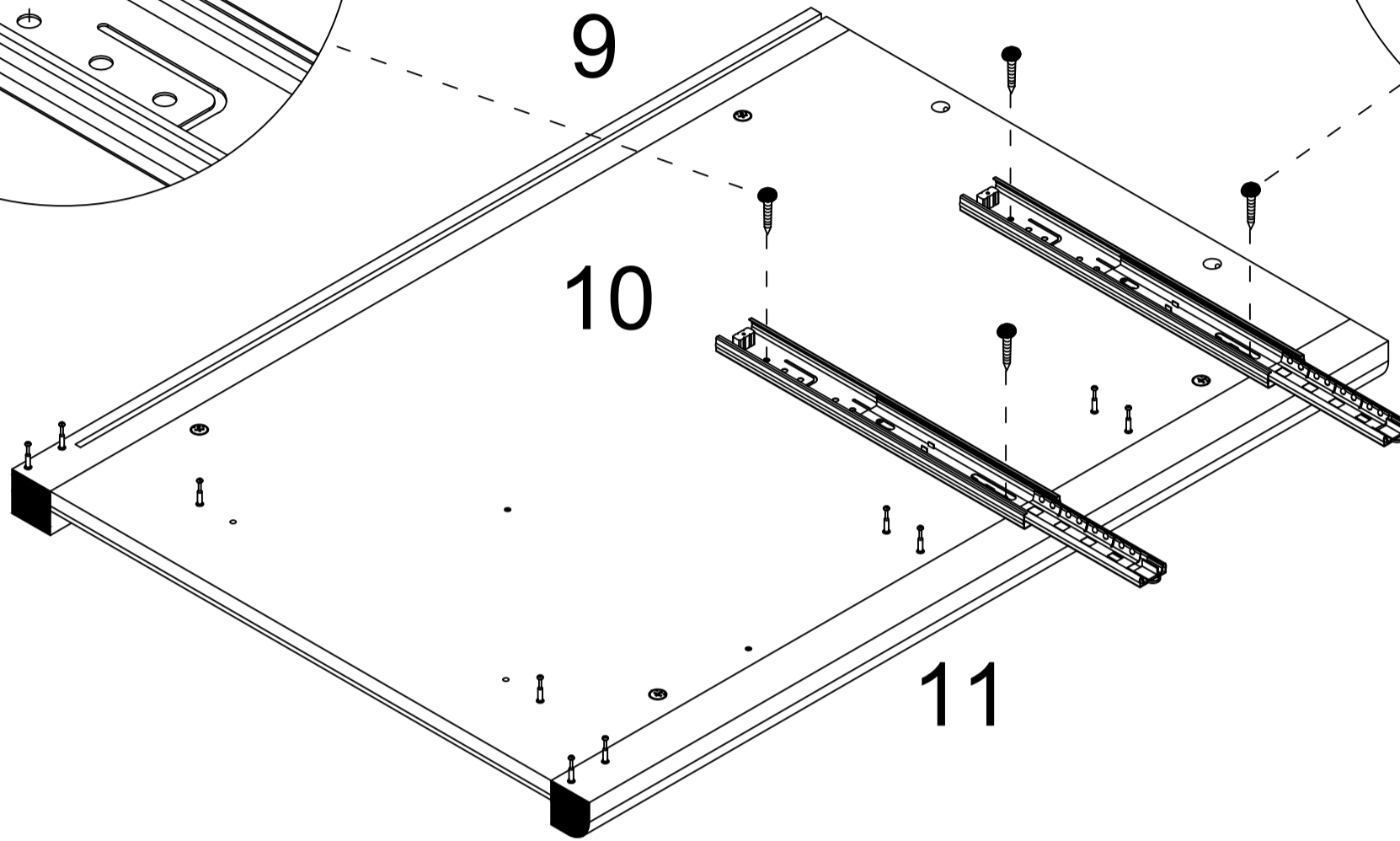
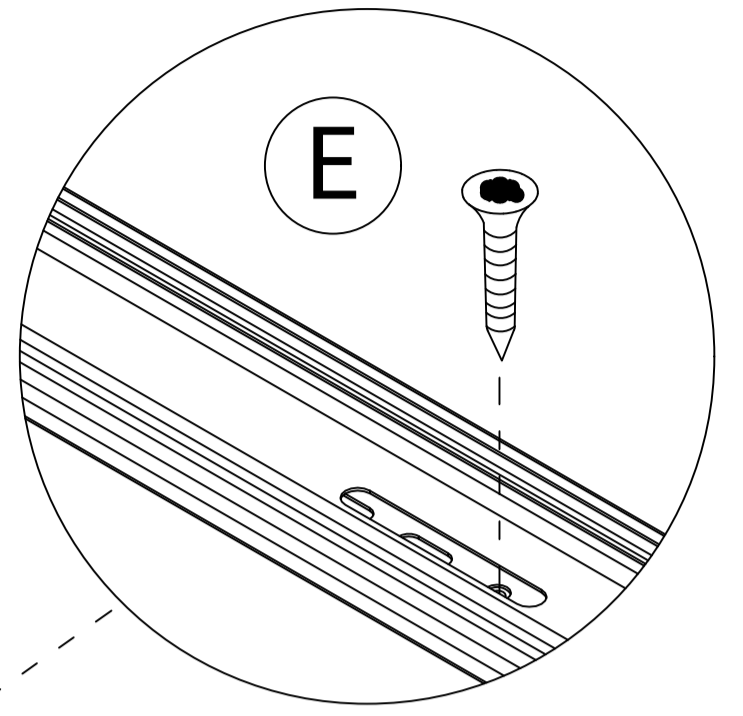
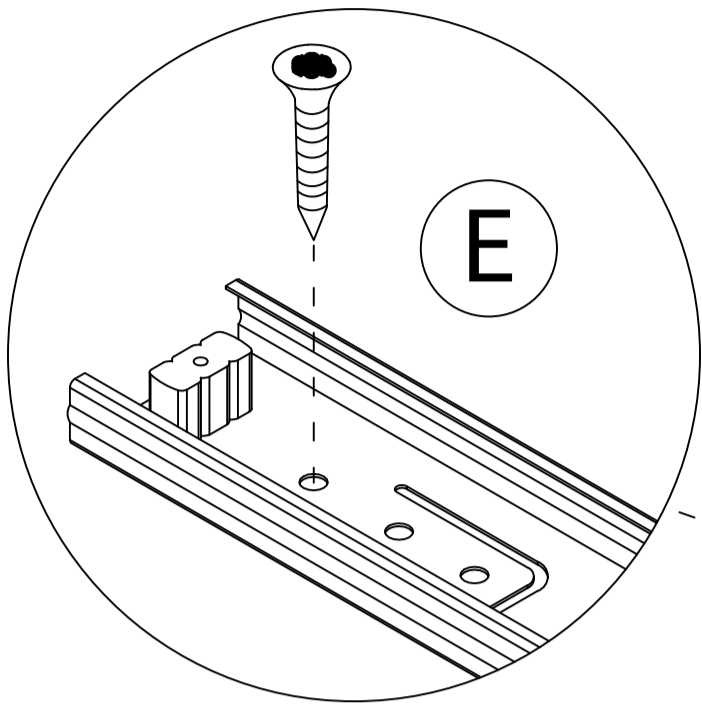
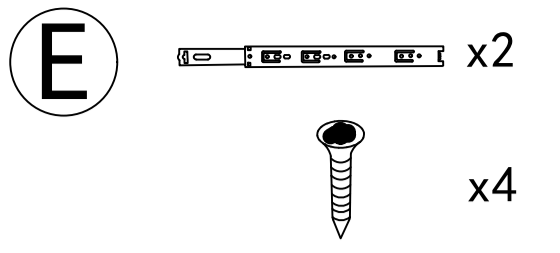
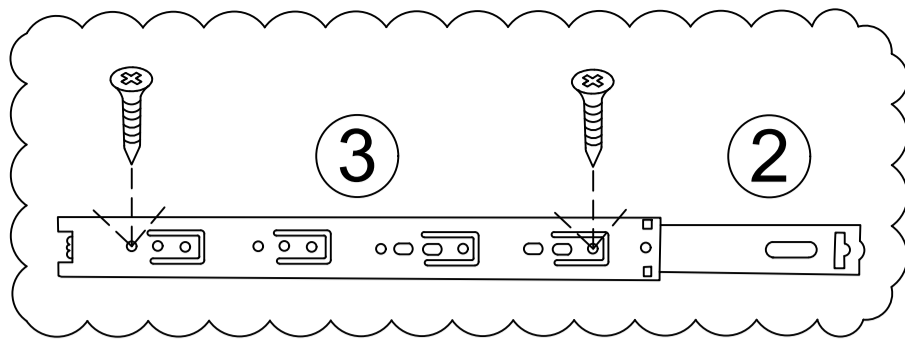
A



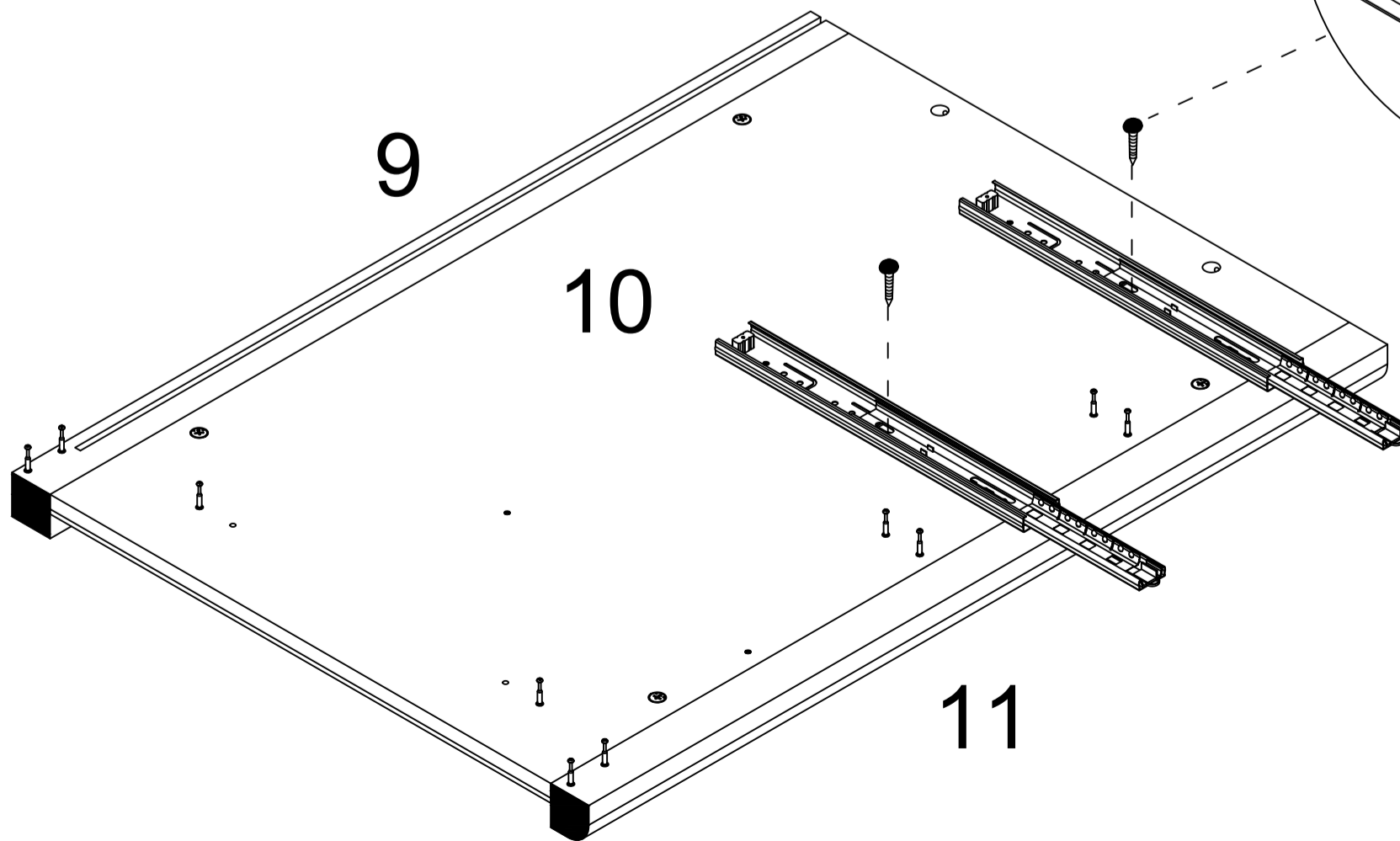
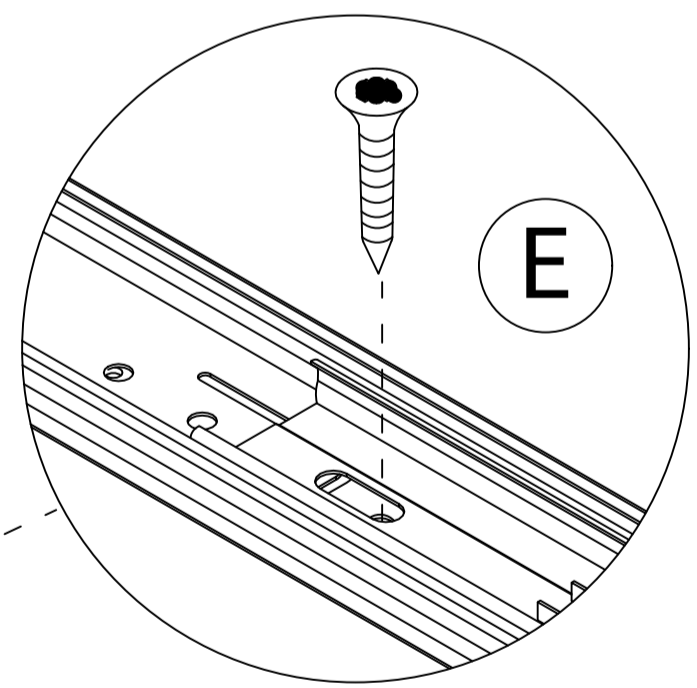
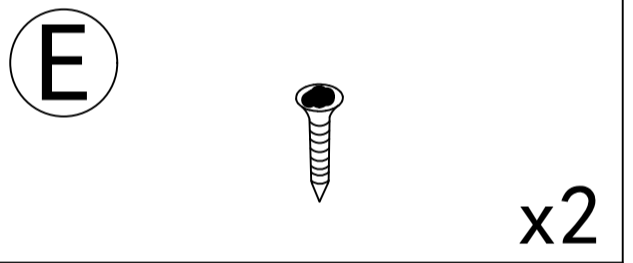
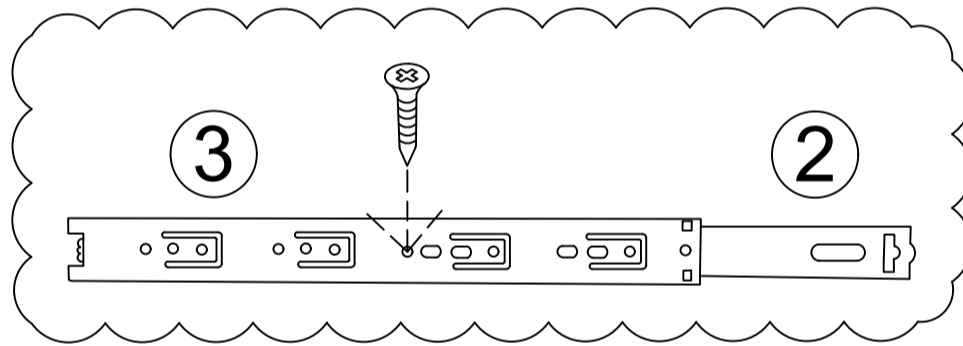
x6



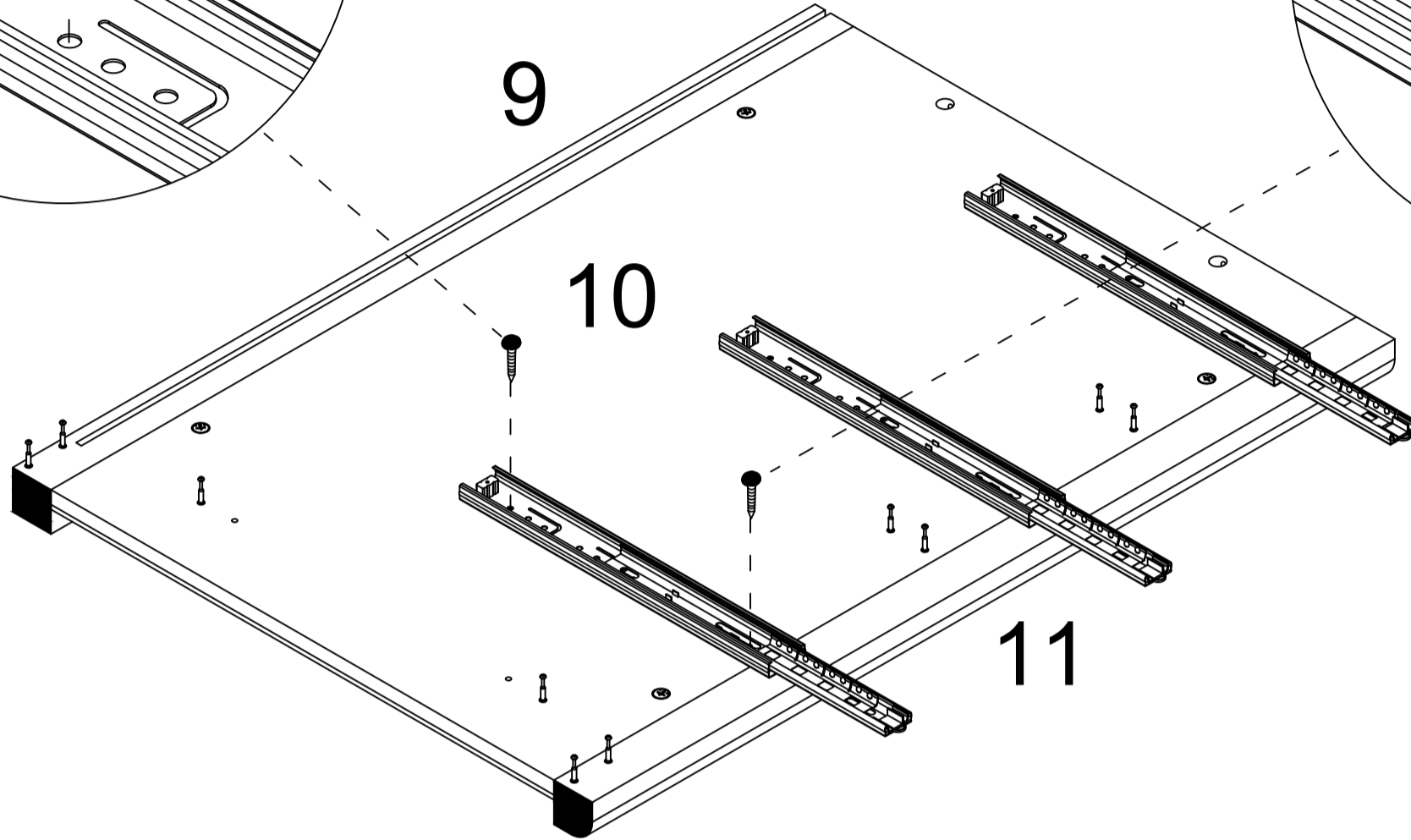
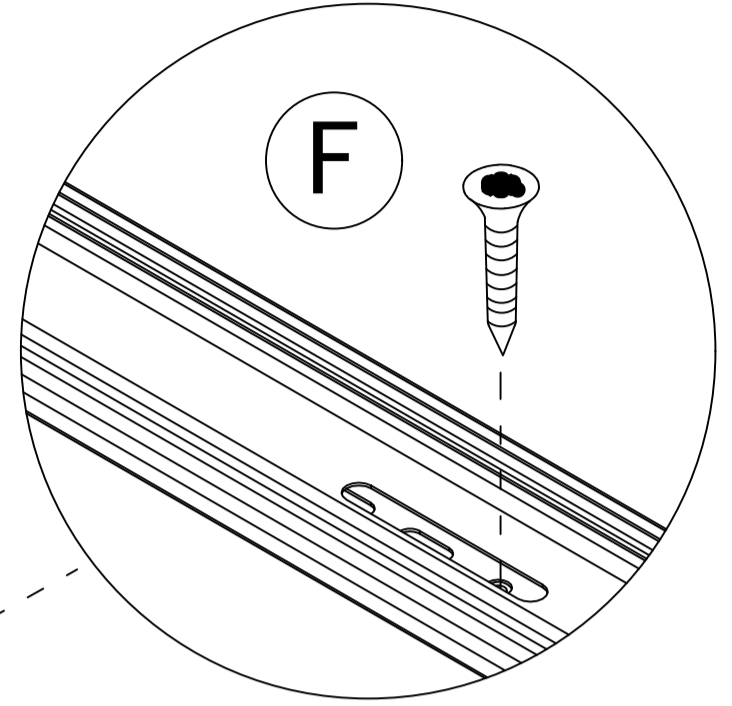
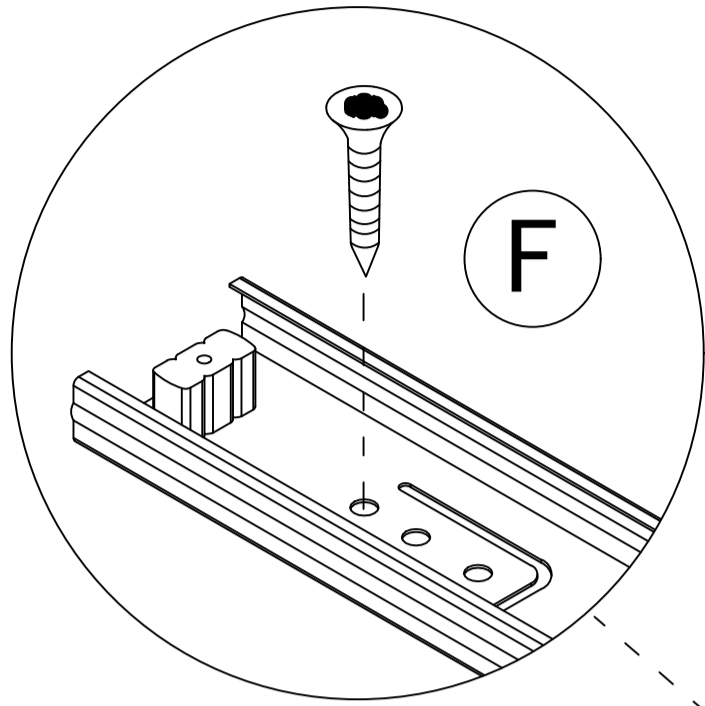
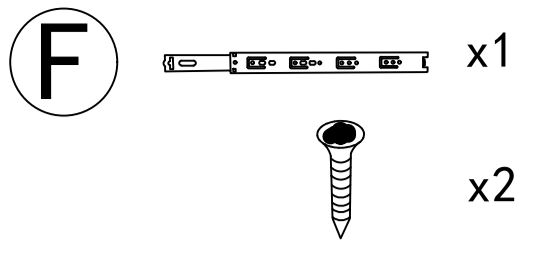
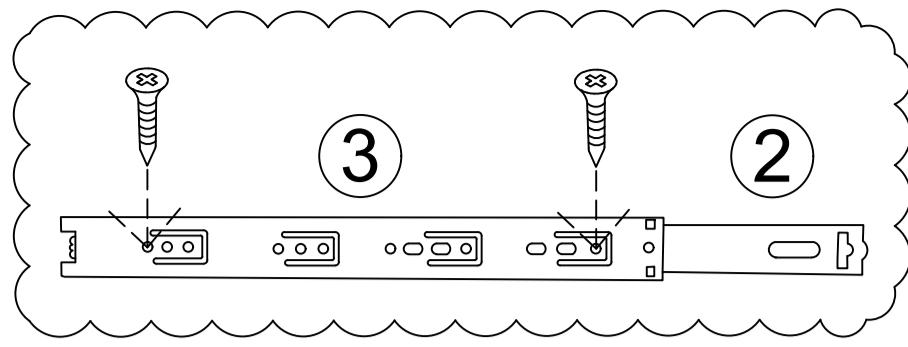
Step 32



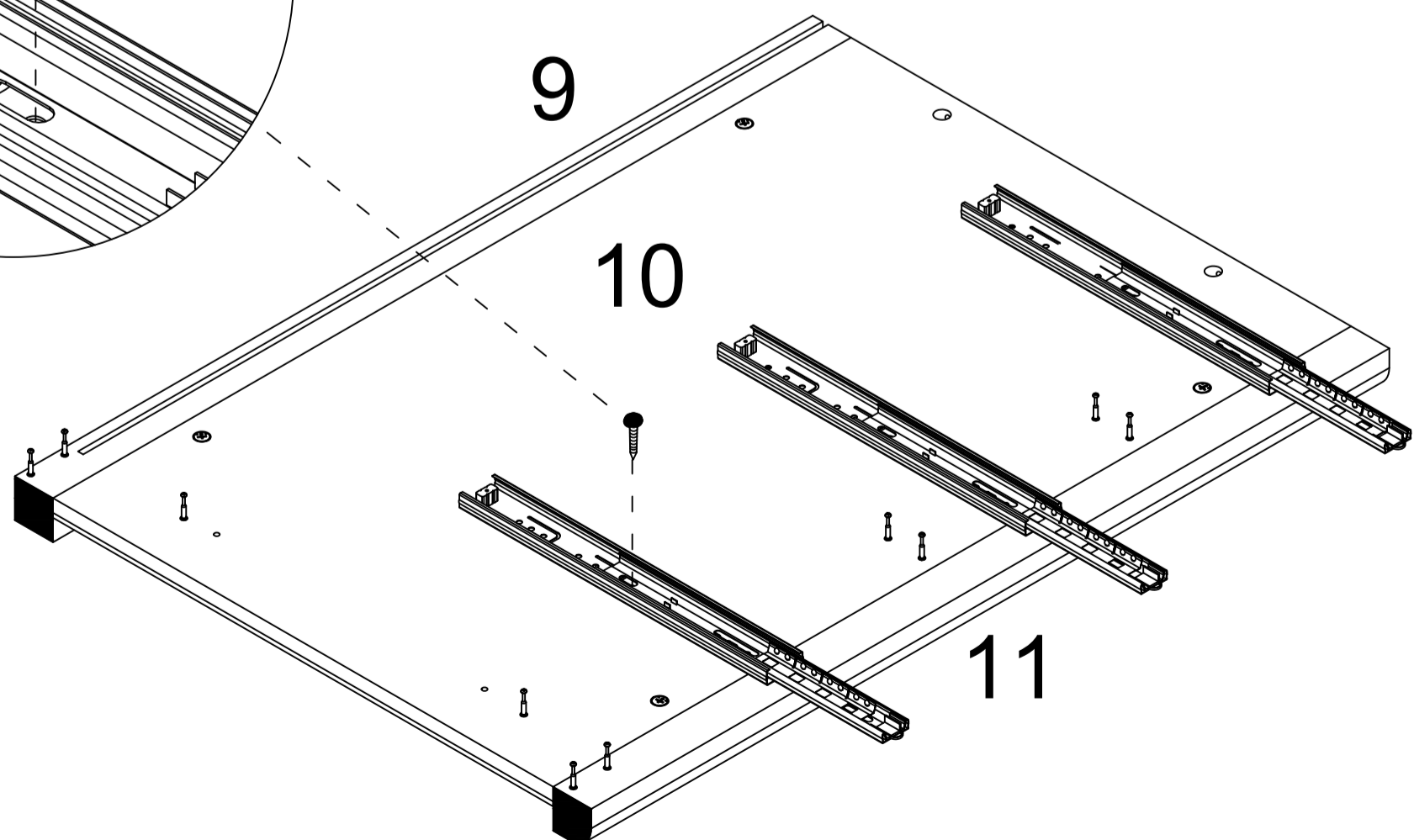
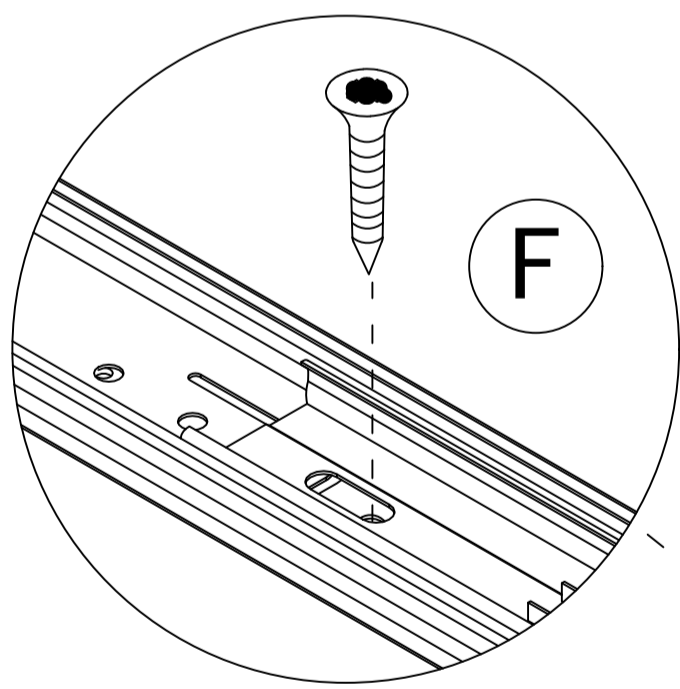
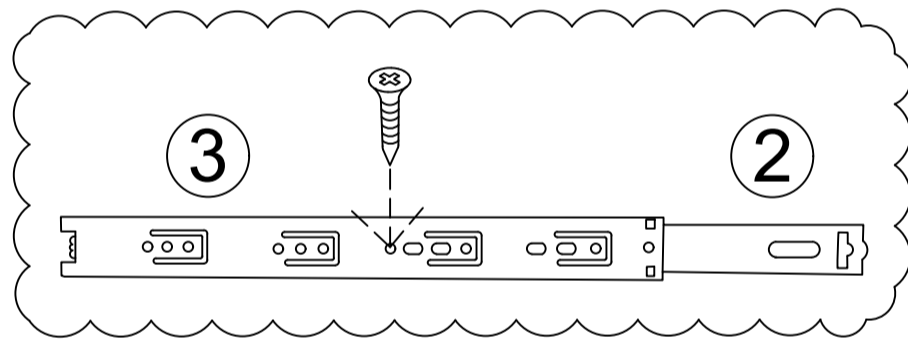
Step 33



Step 34

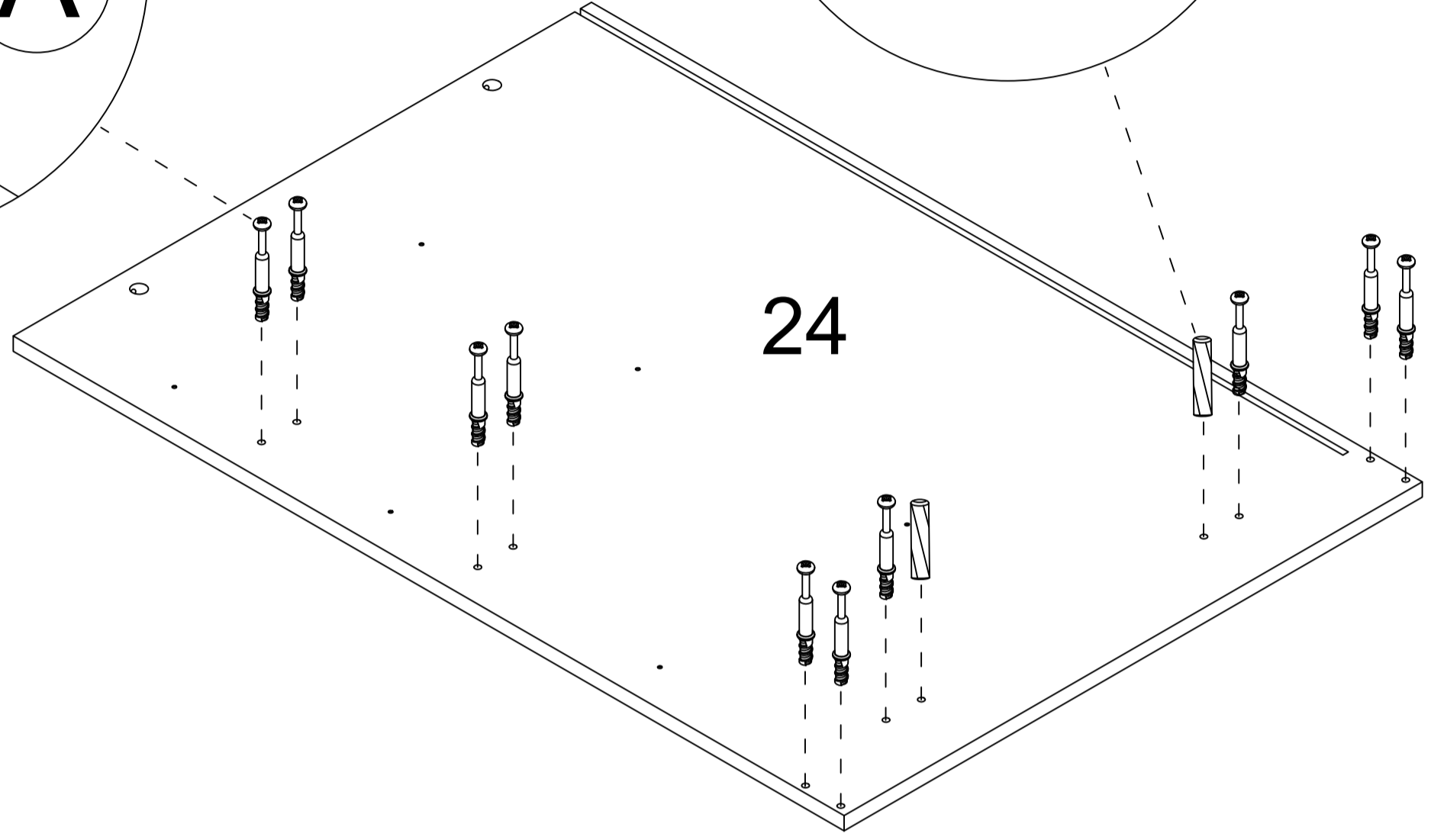
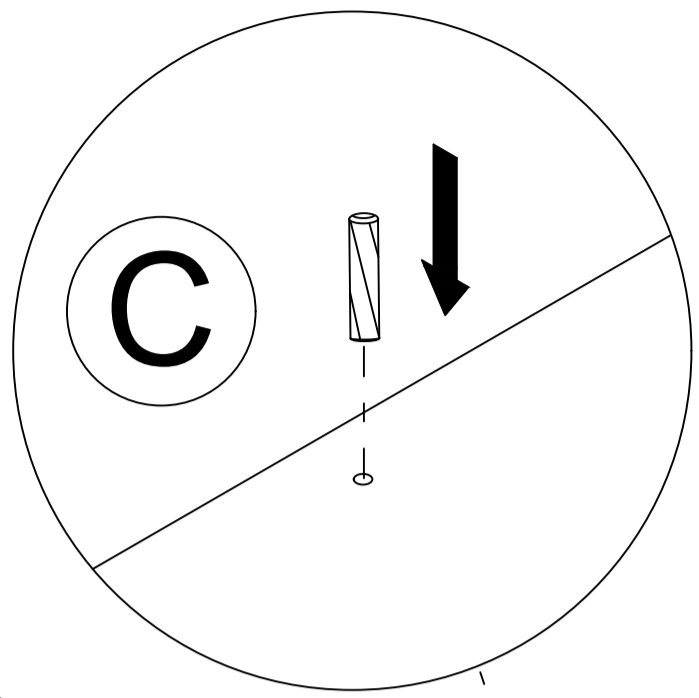
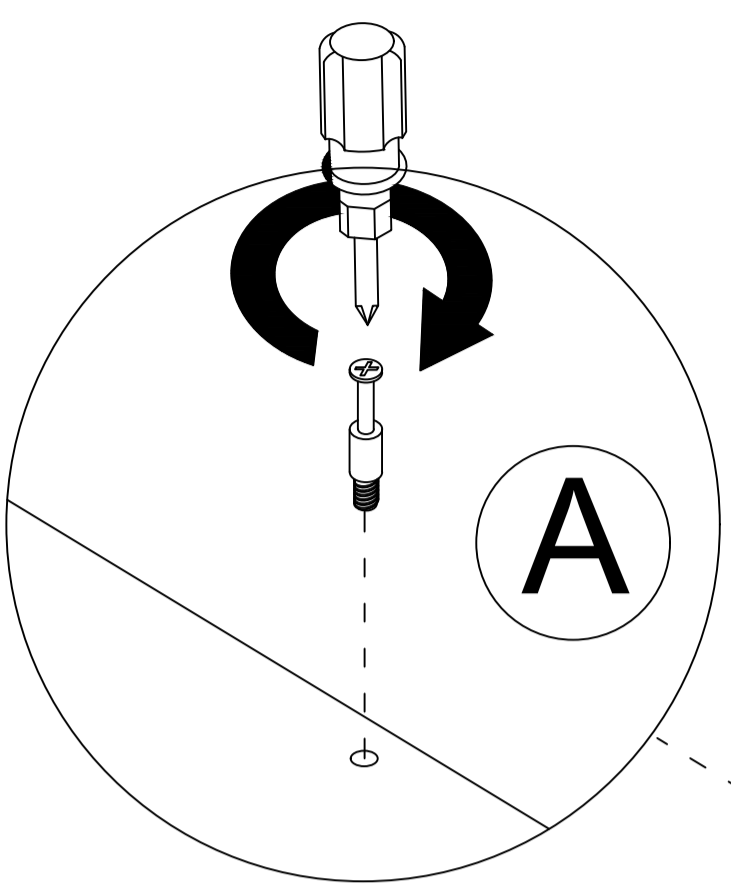
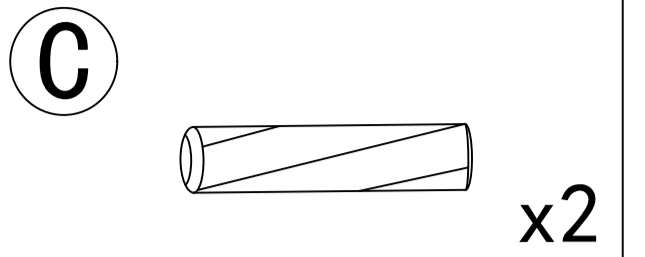
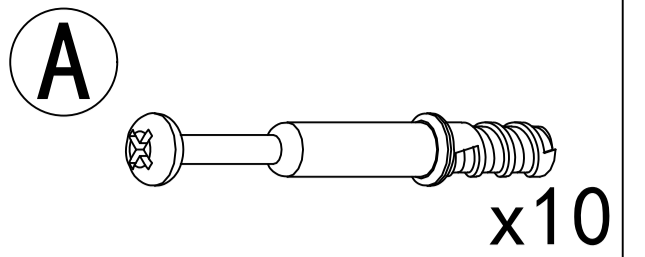


Step 35

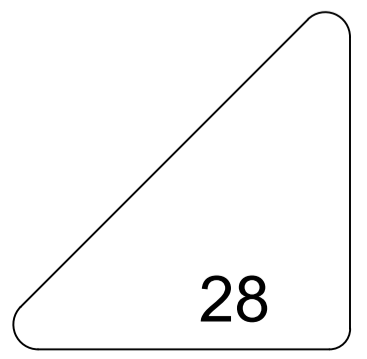
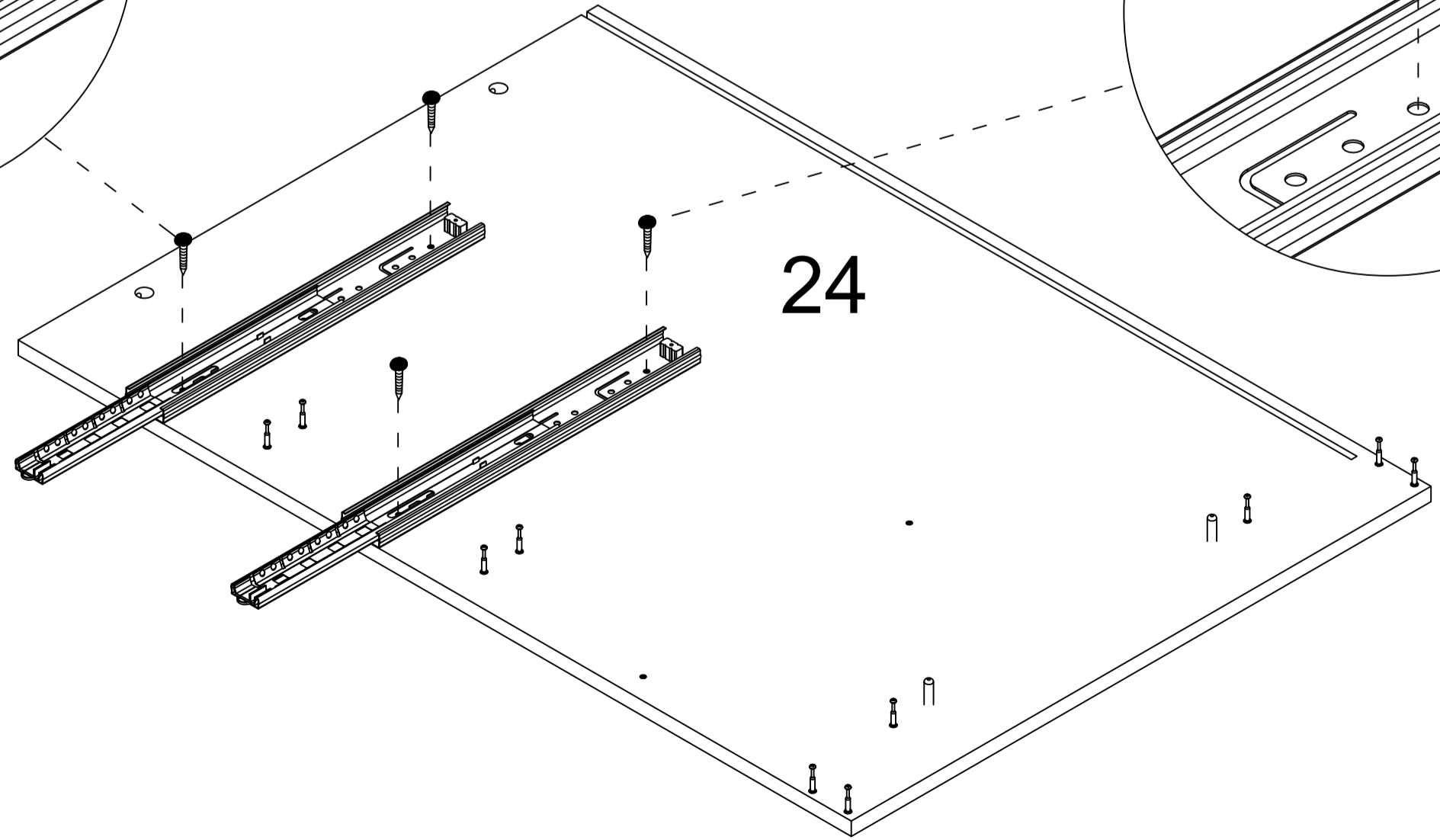
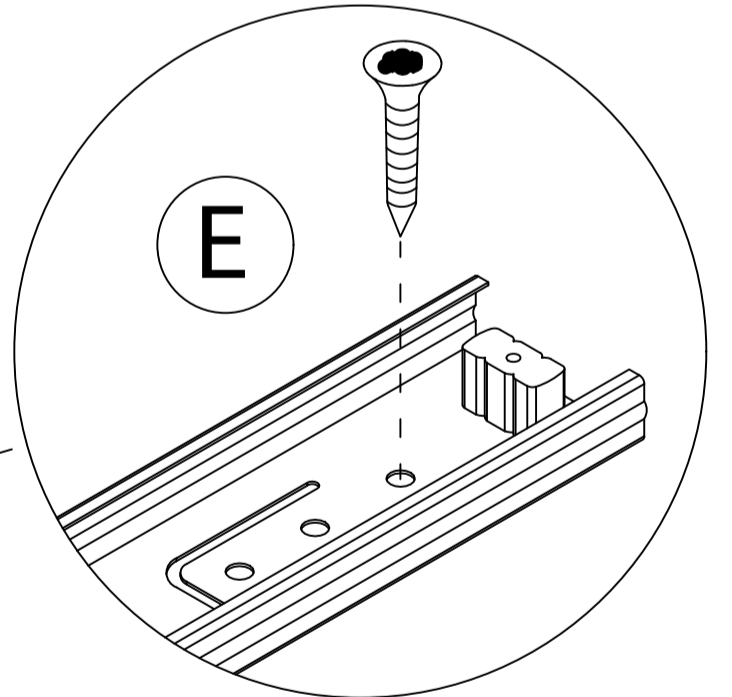
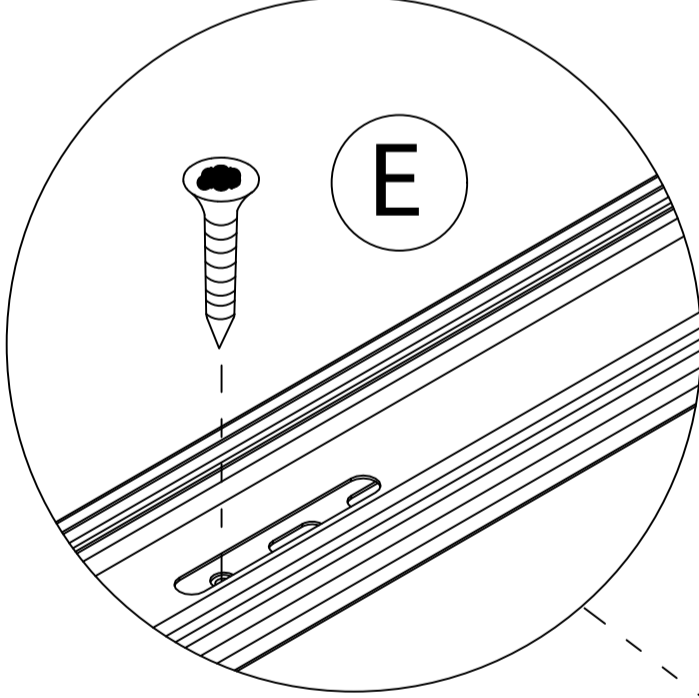
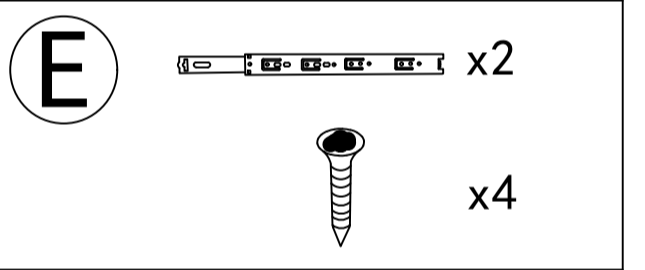
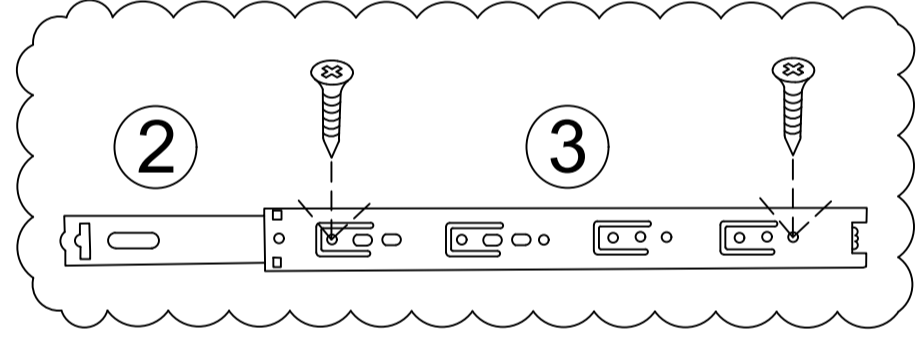


This hole is for strengthening fixed hole customers can choose to install according to their needs.

Step 36



Step 37

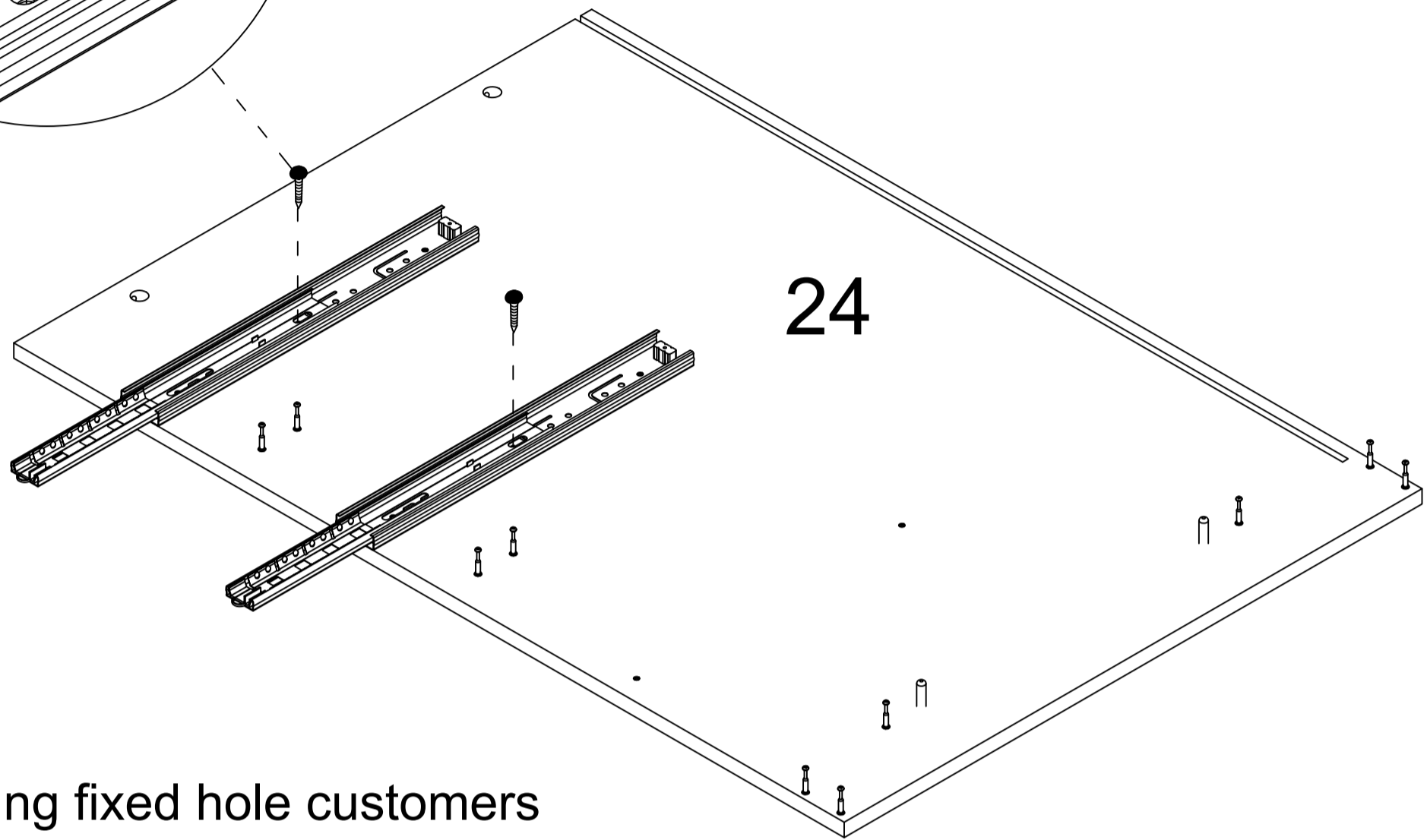
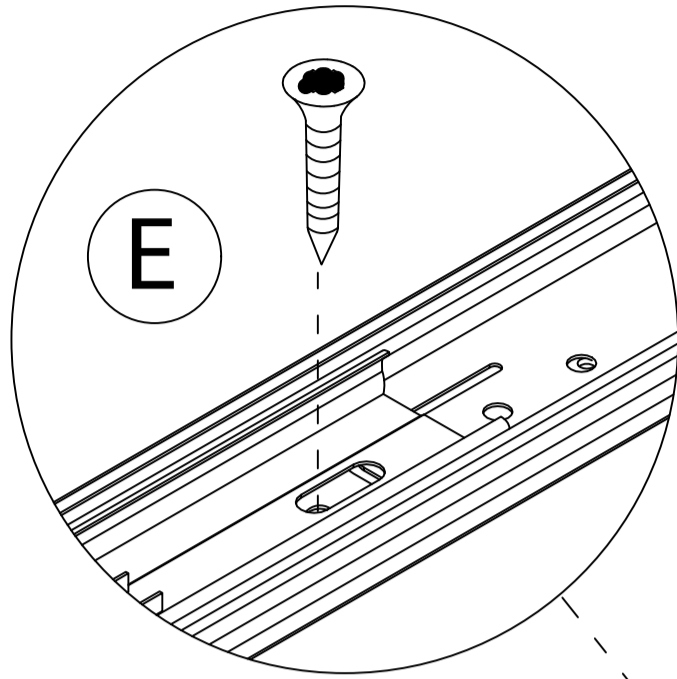
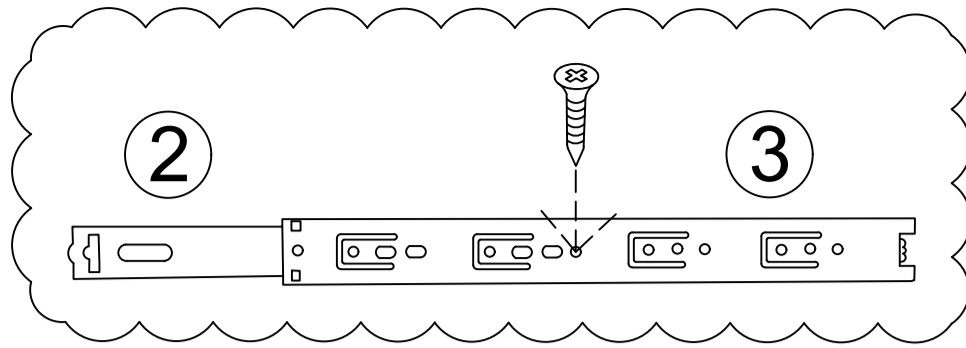


Step 38

E



x2



This hole is for strengthening fixed hole customers can choose to install according to their needs.

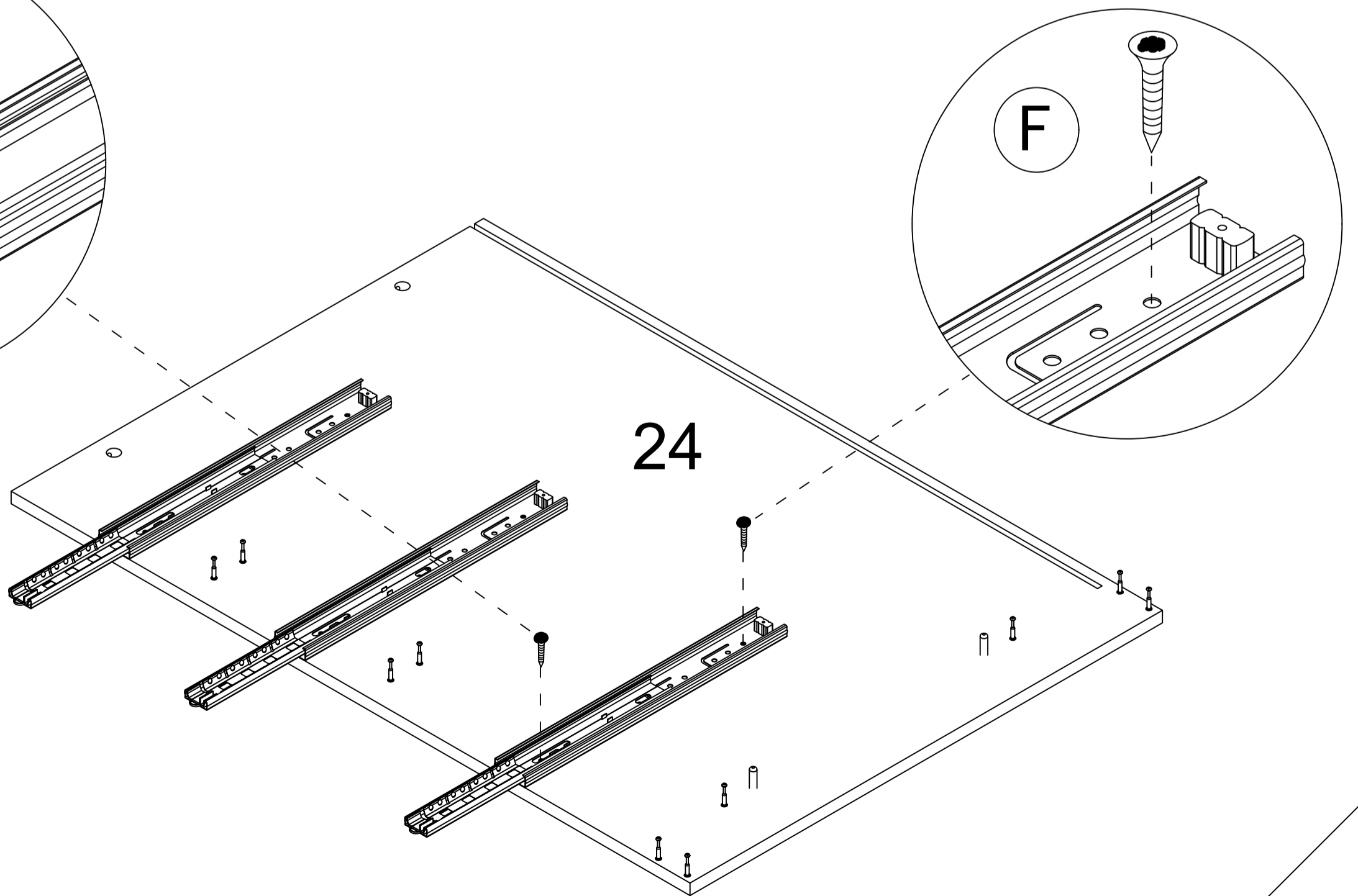
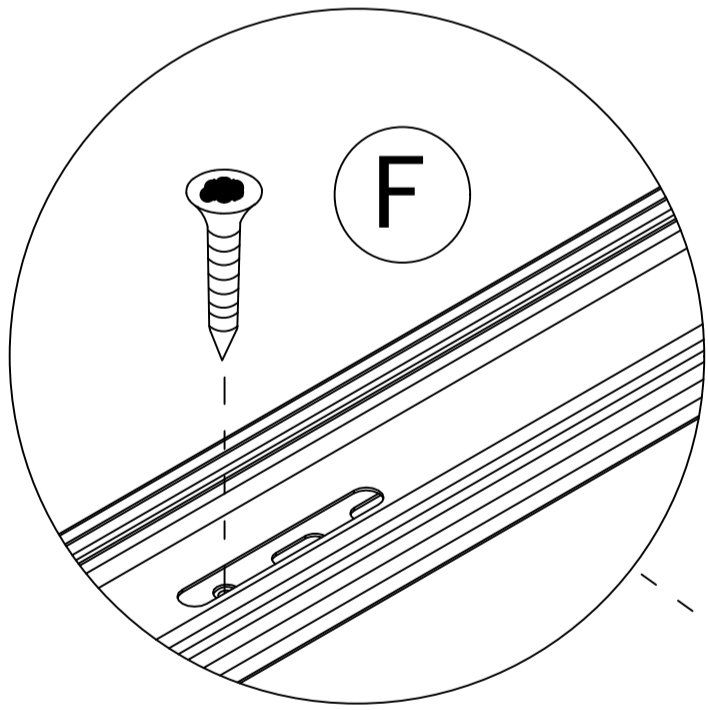
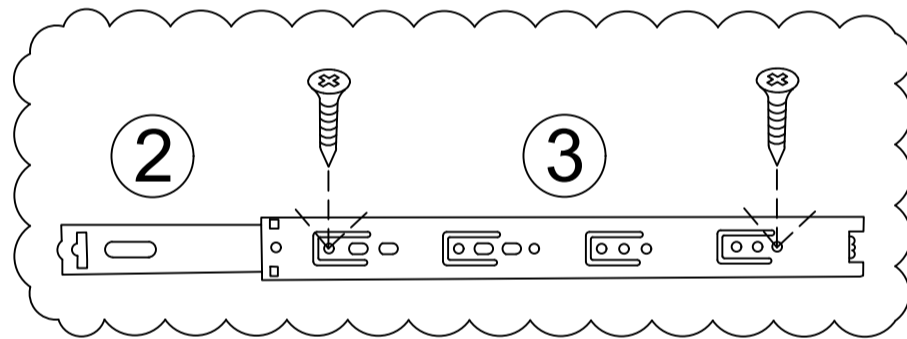
Step 39

F

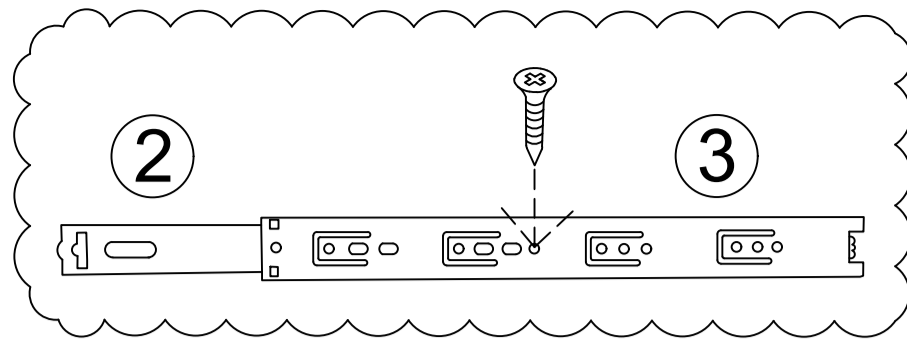
x1



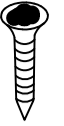
x2



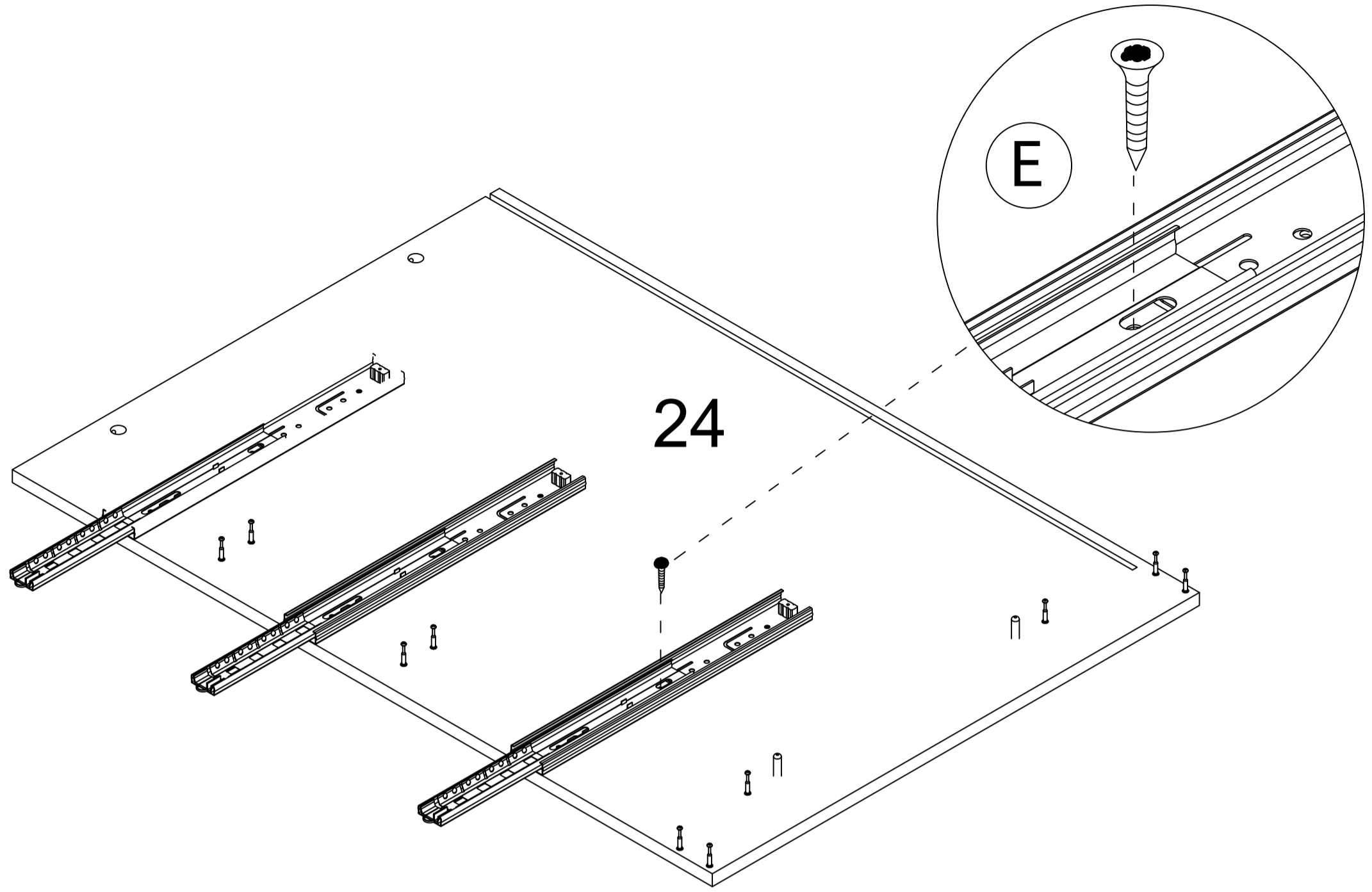
Step 40



F

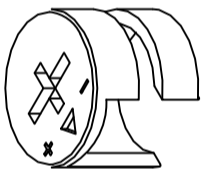


x2



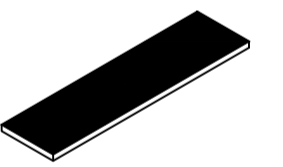
Step 41

B

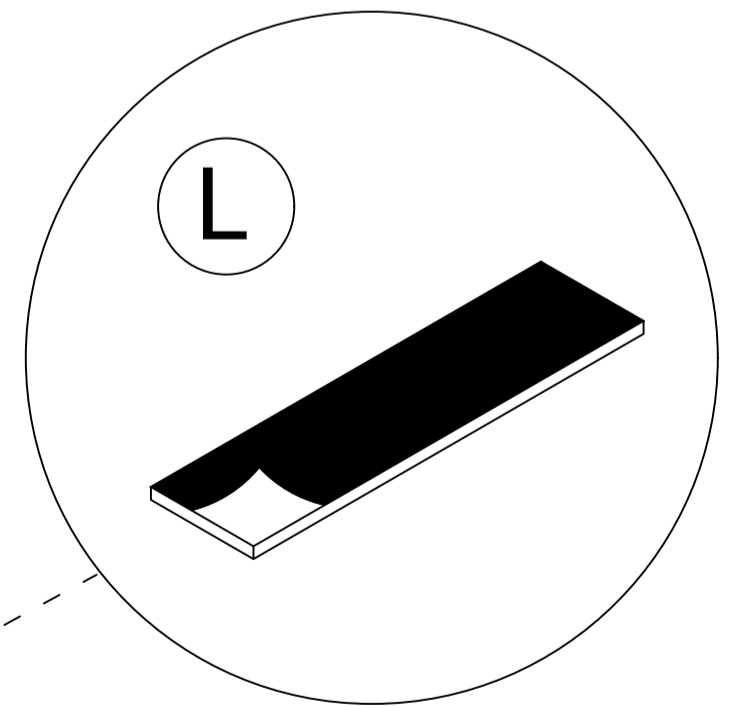
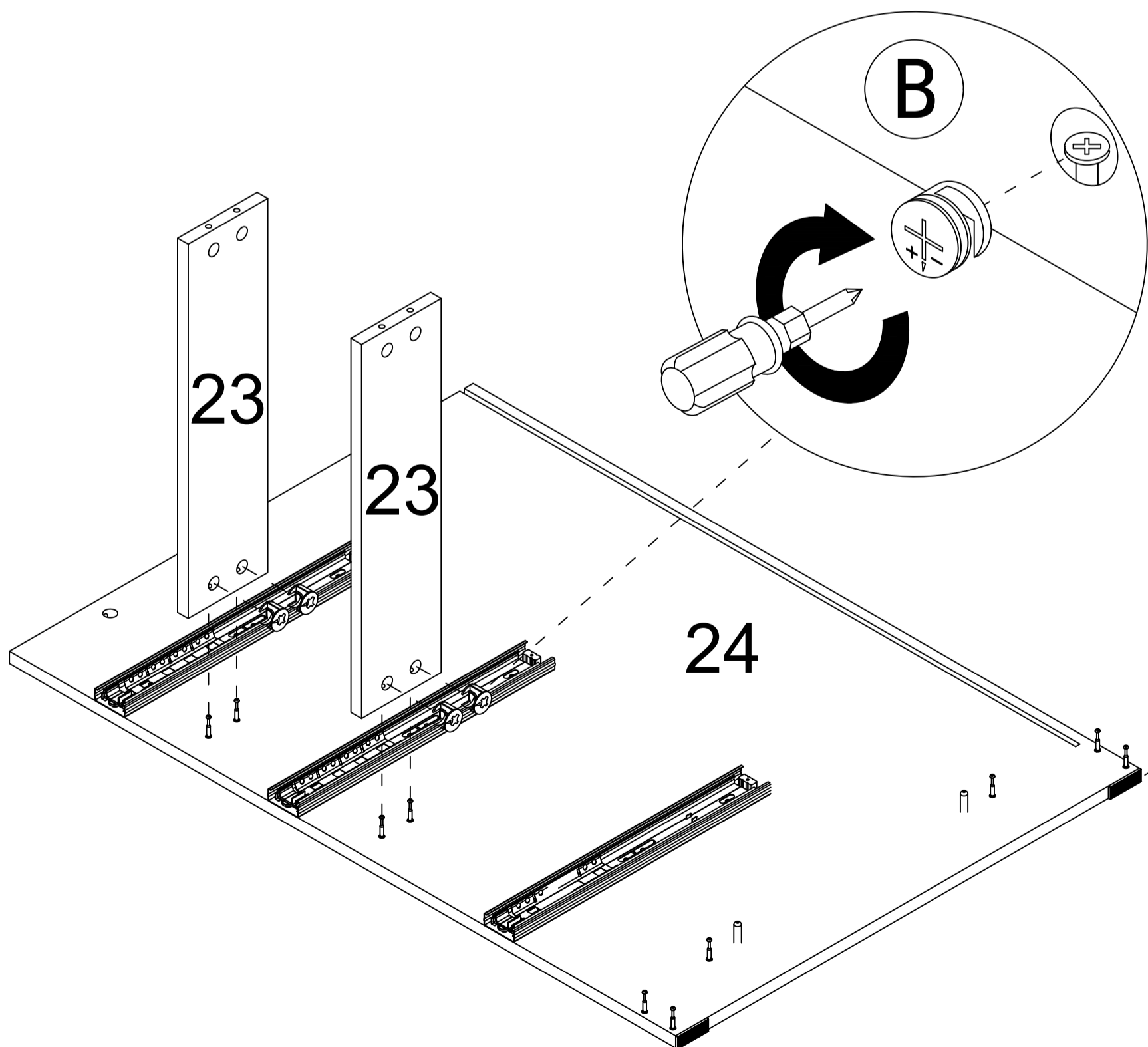


x4

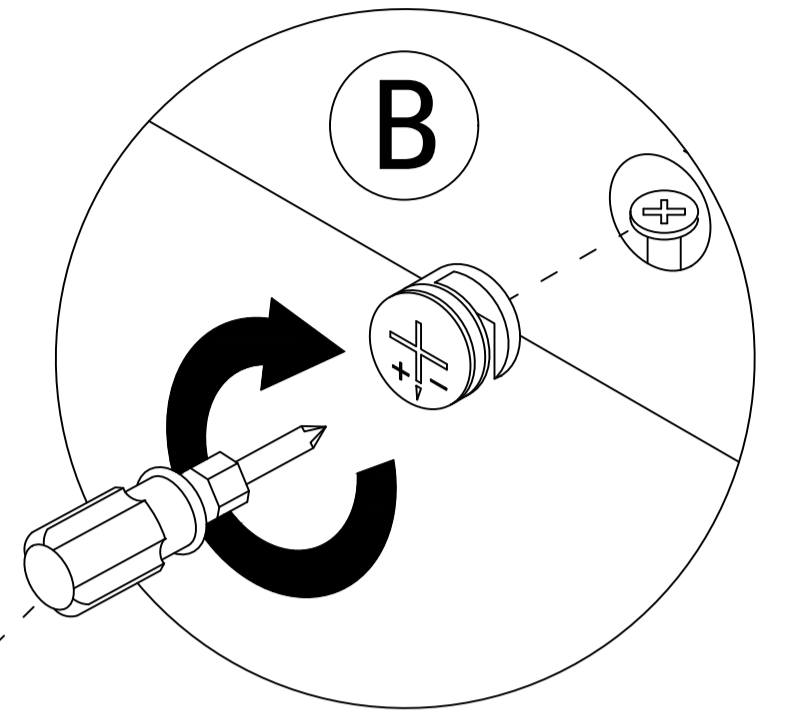
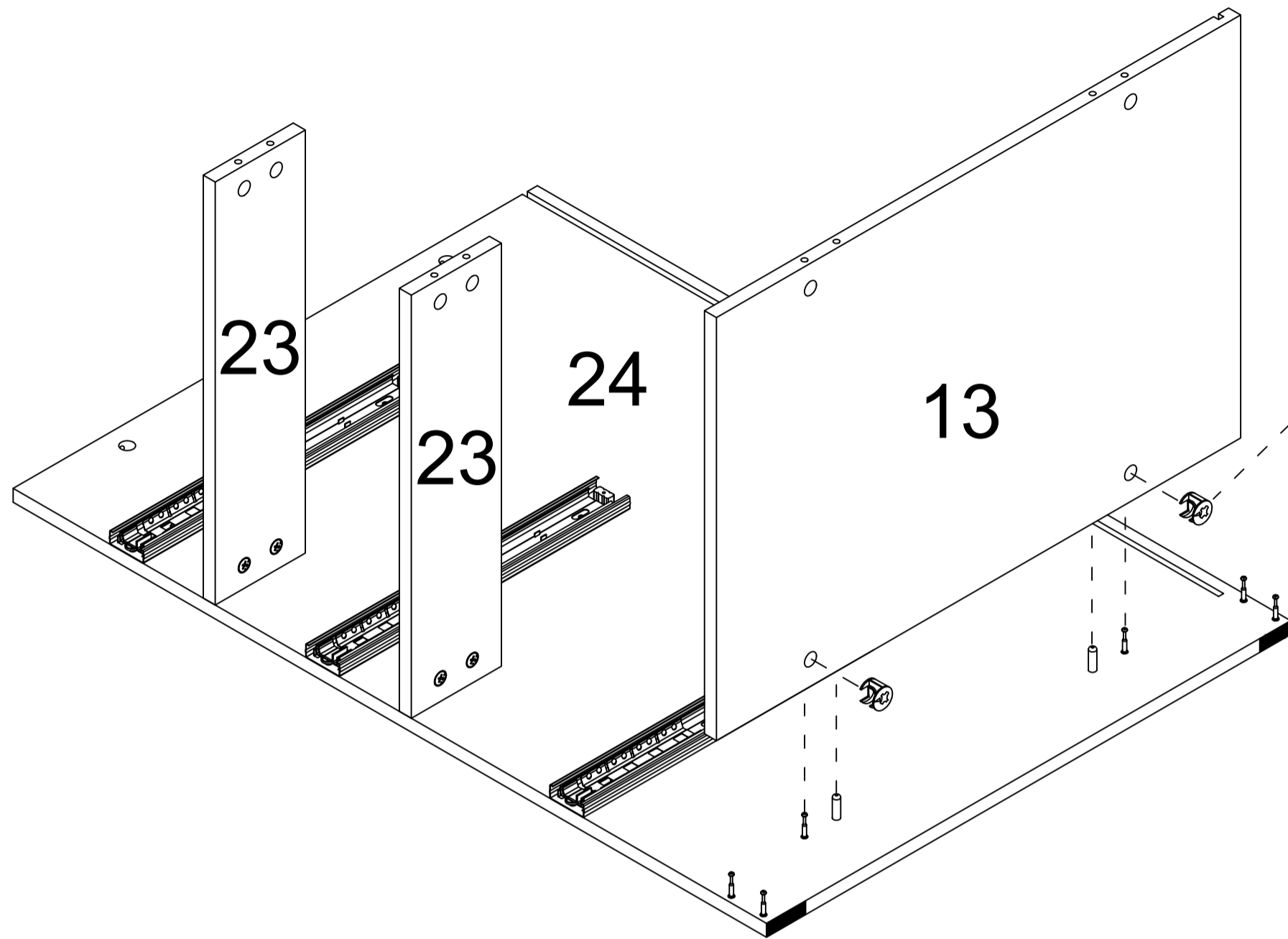
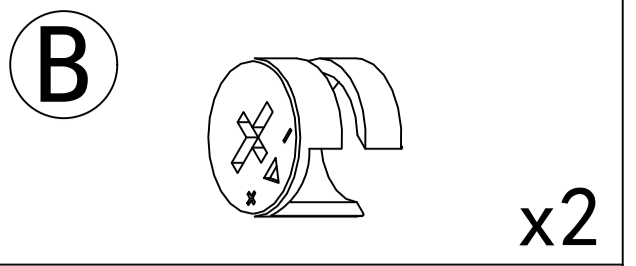
L



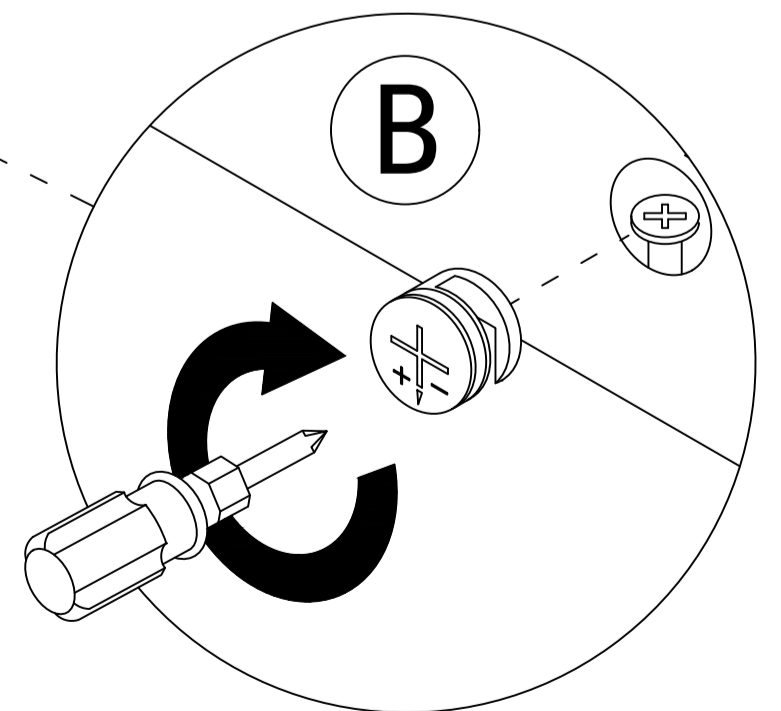
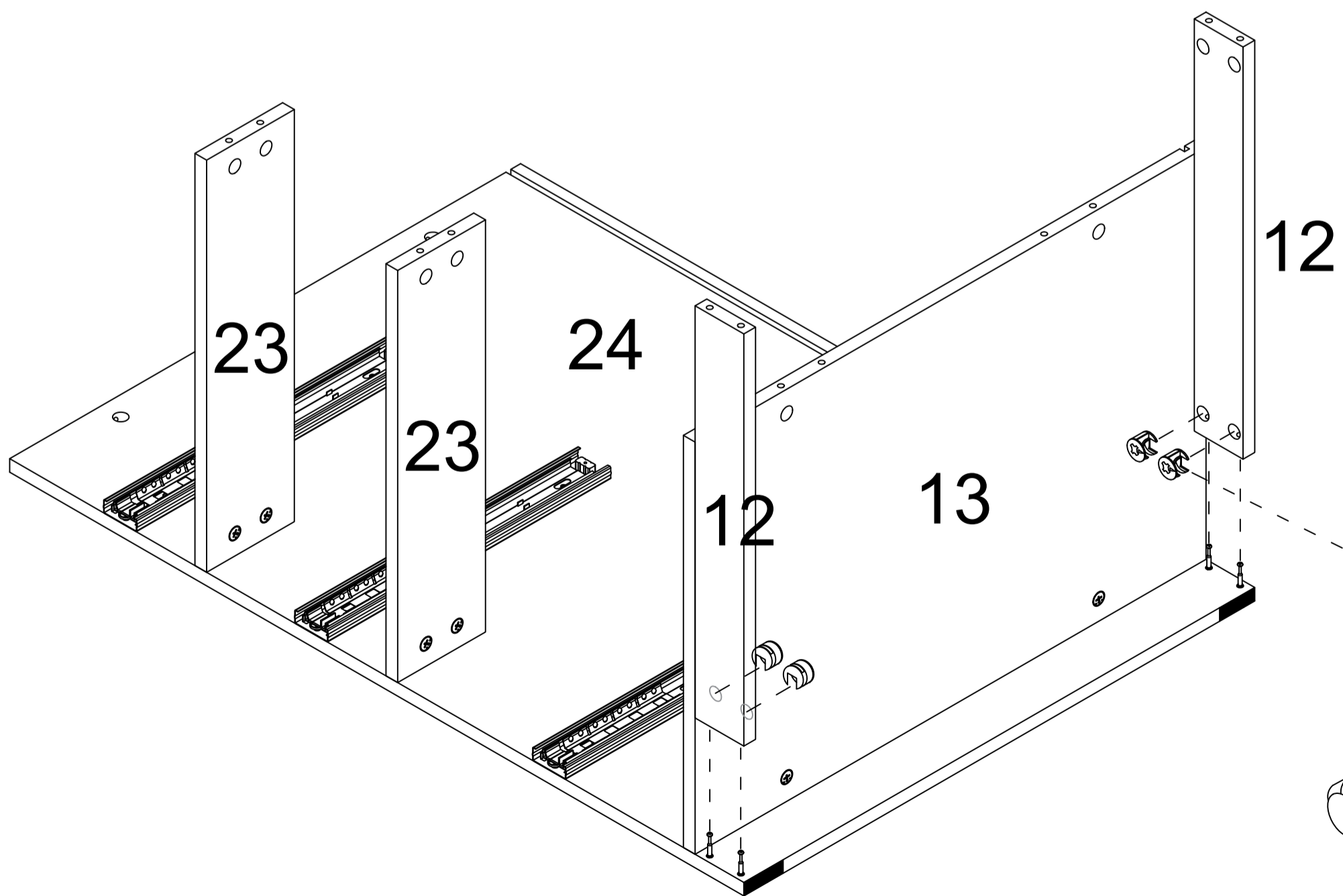
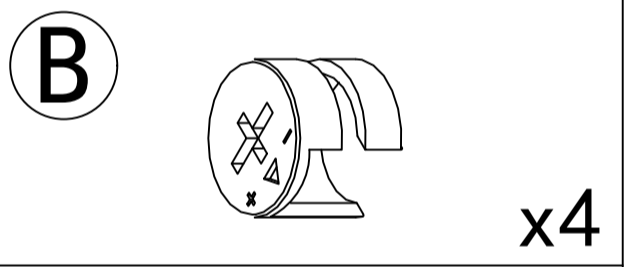
x2



Step 42



Step 43

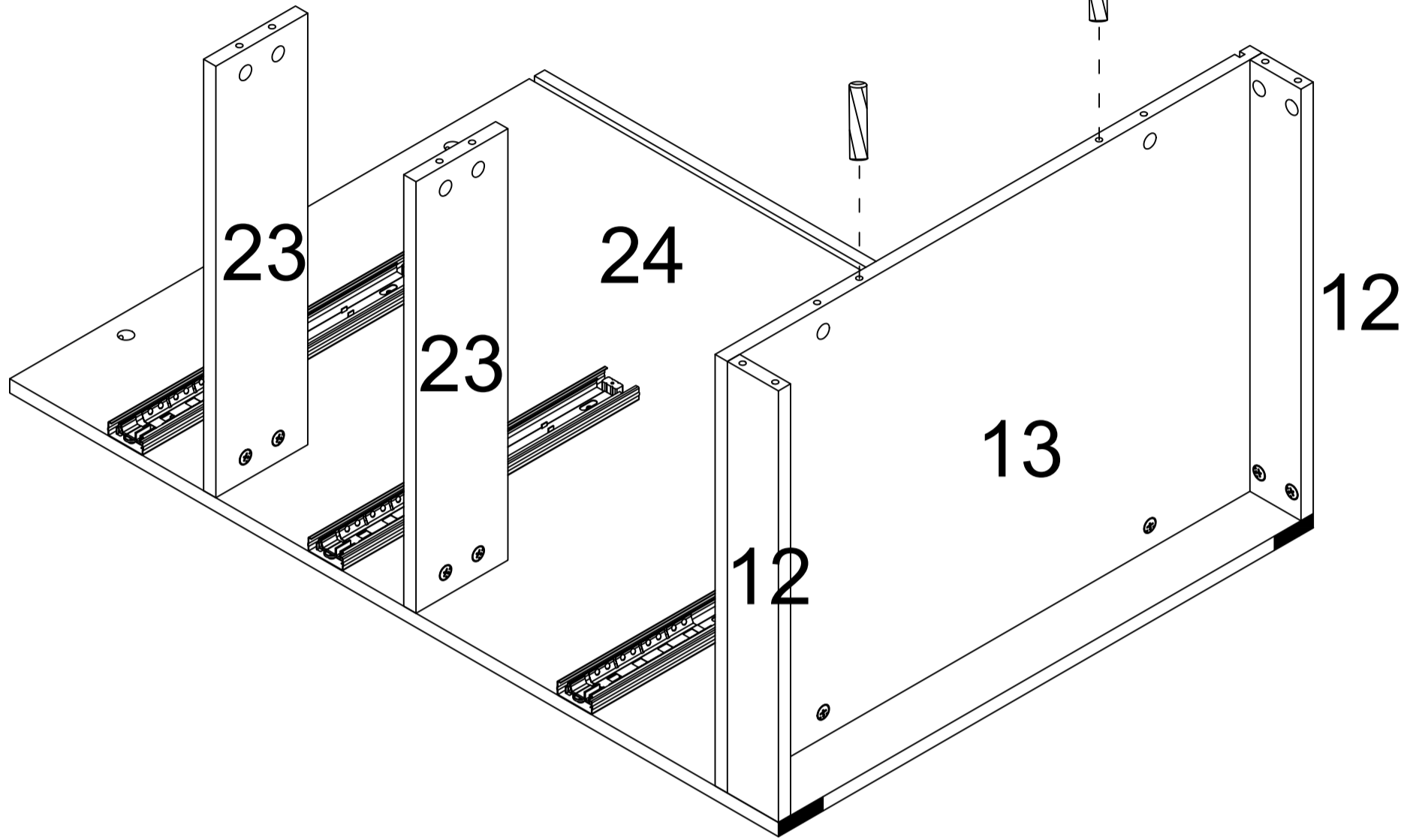
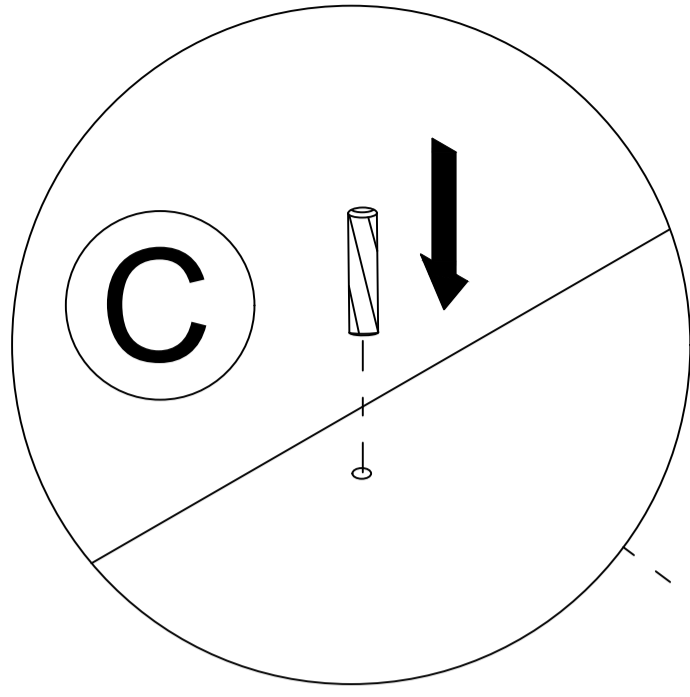


Step 44

C

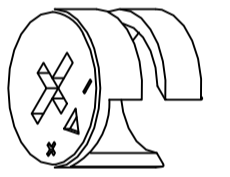


x2

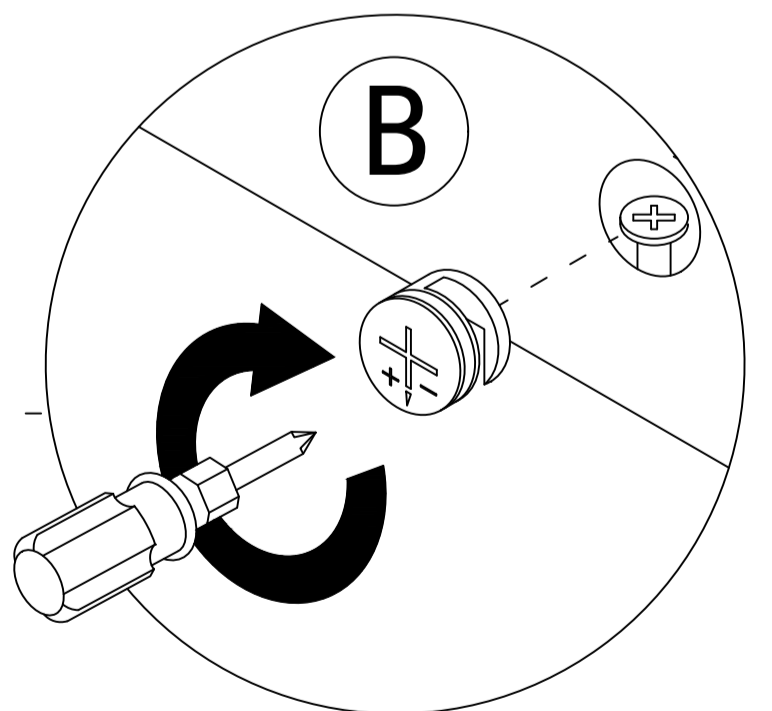
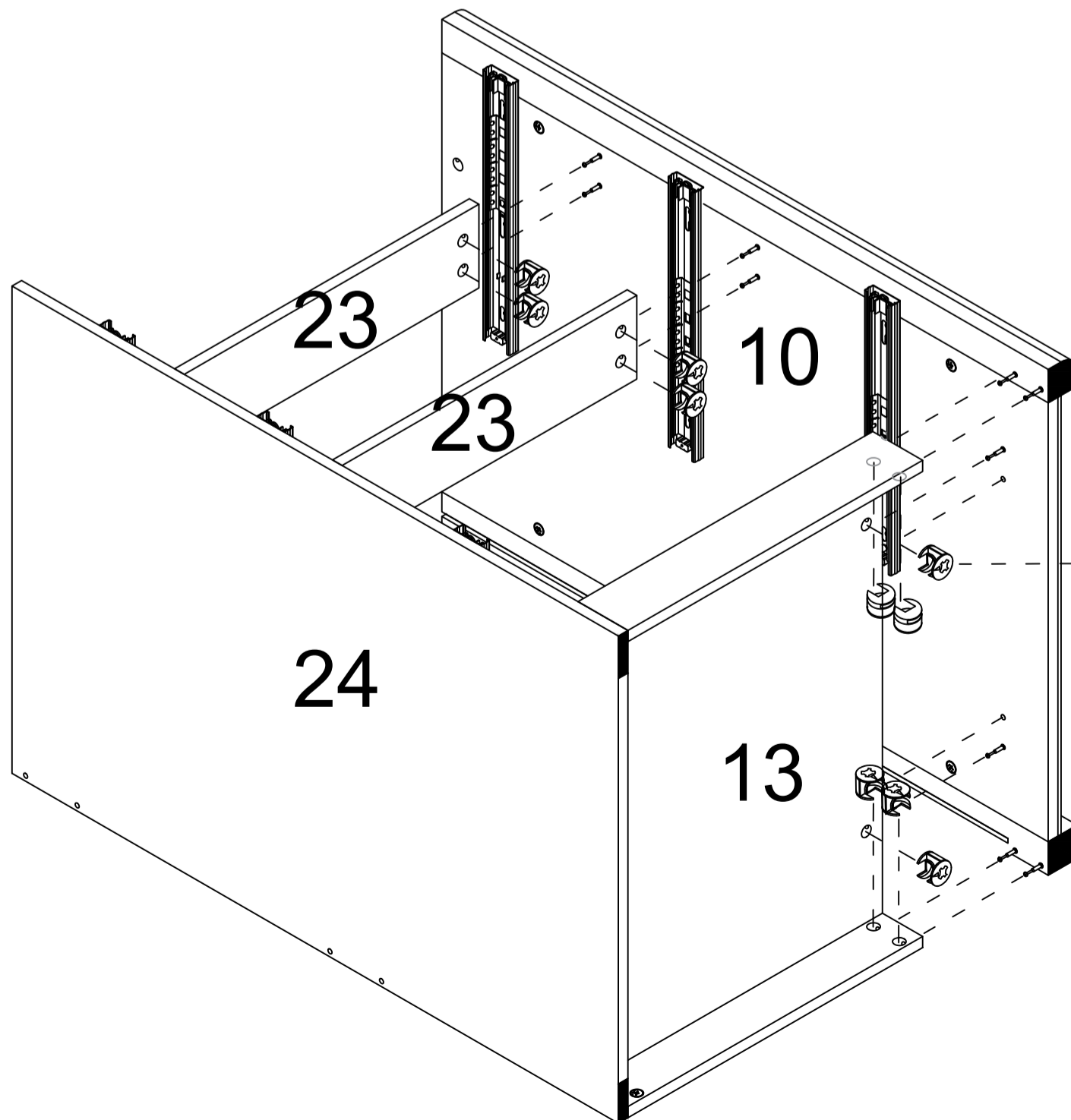


Step 45

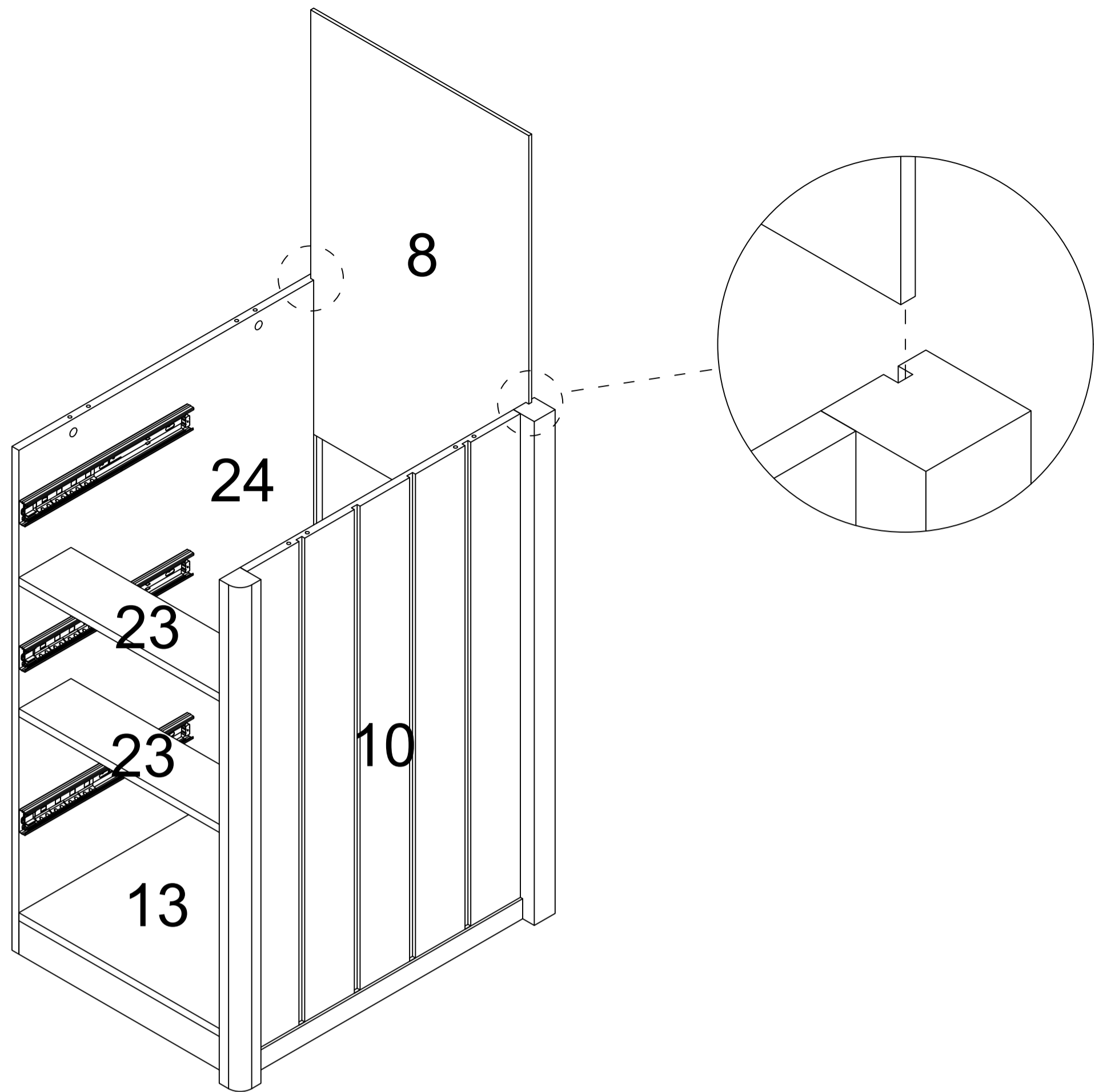
B



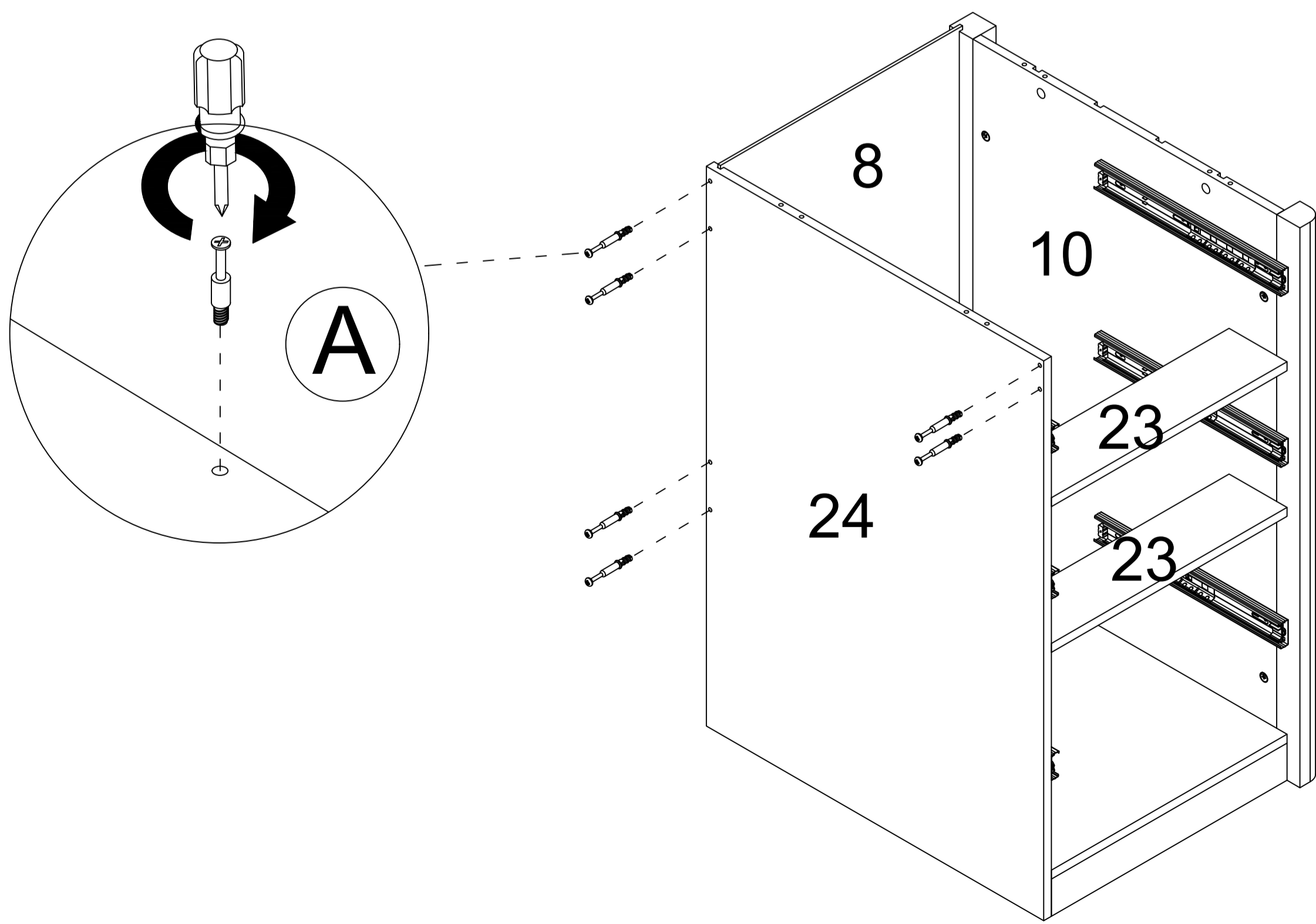
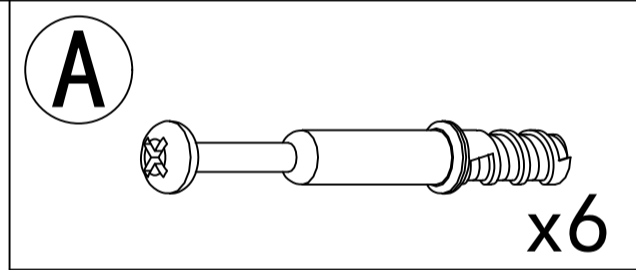
x10



Step 46

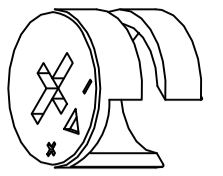


Step 47

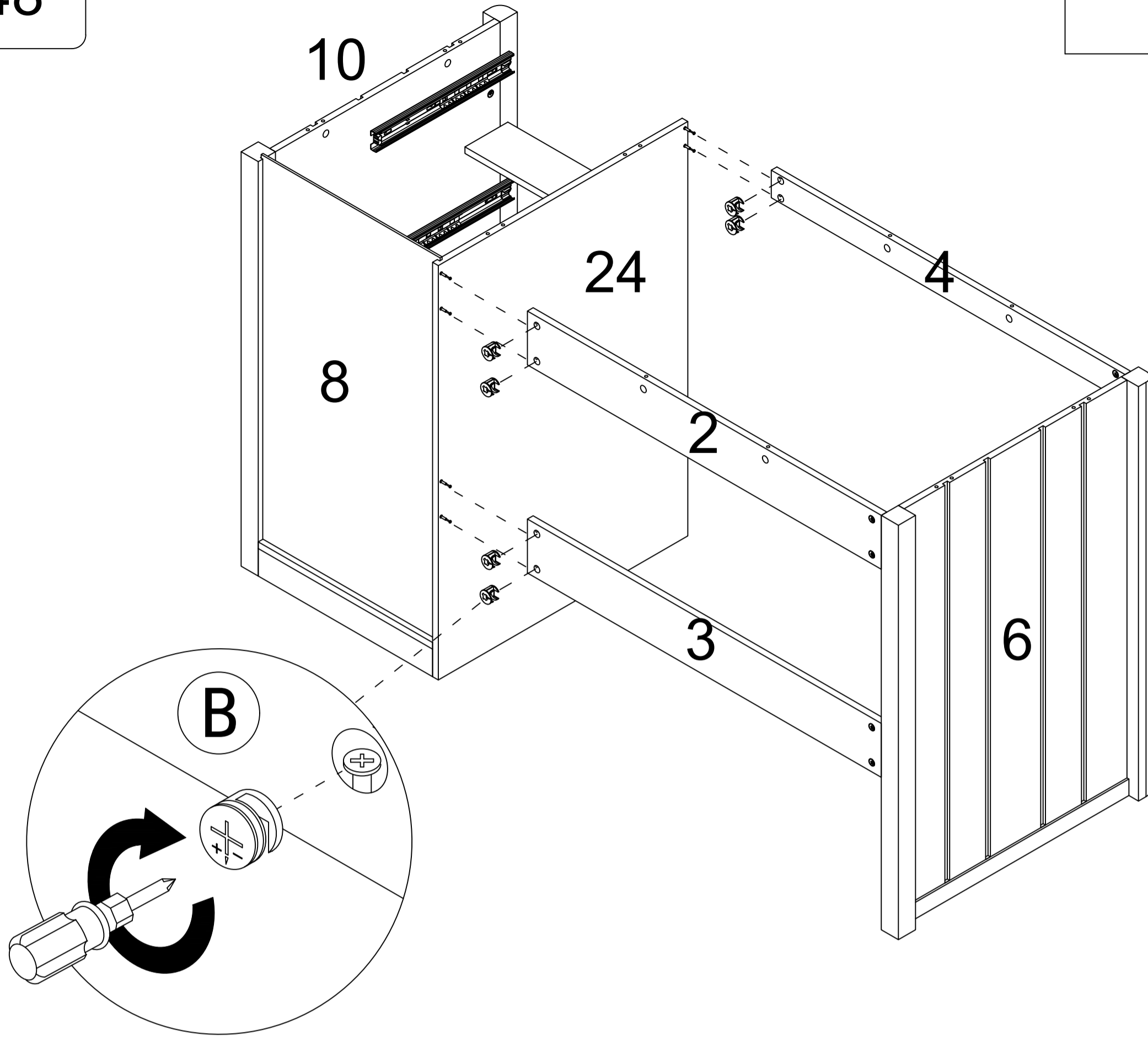


Step 48

B

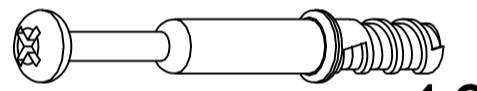


x6

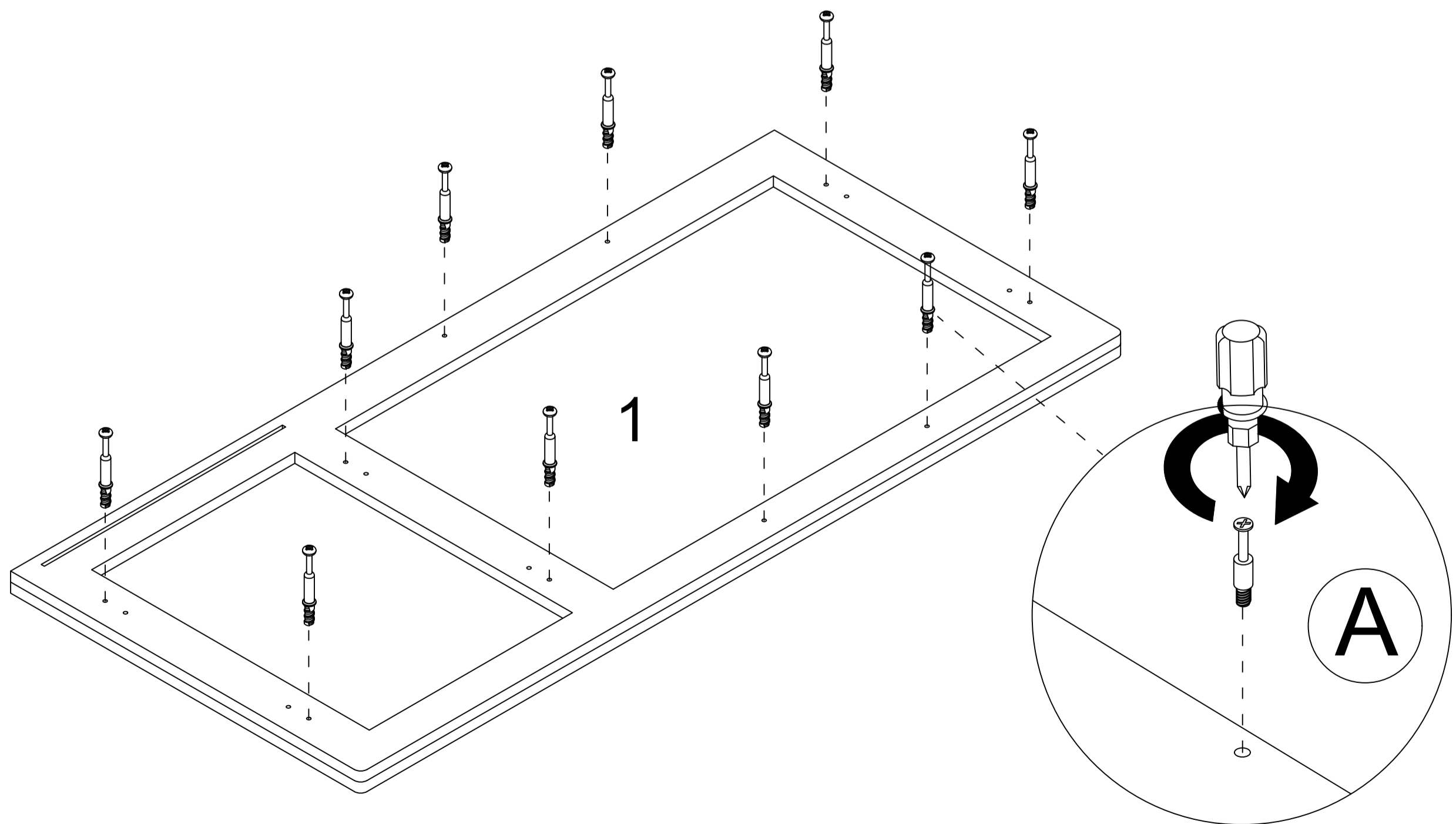


Step 49

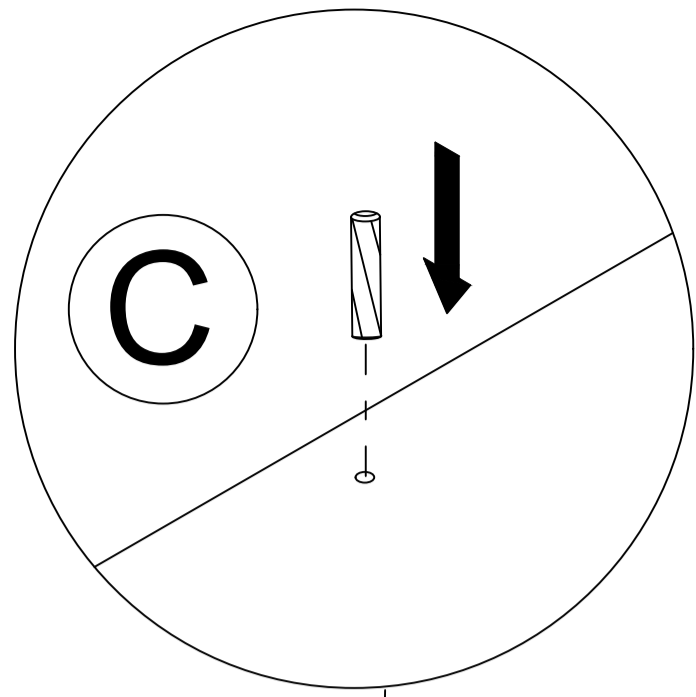
A



x10



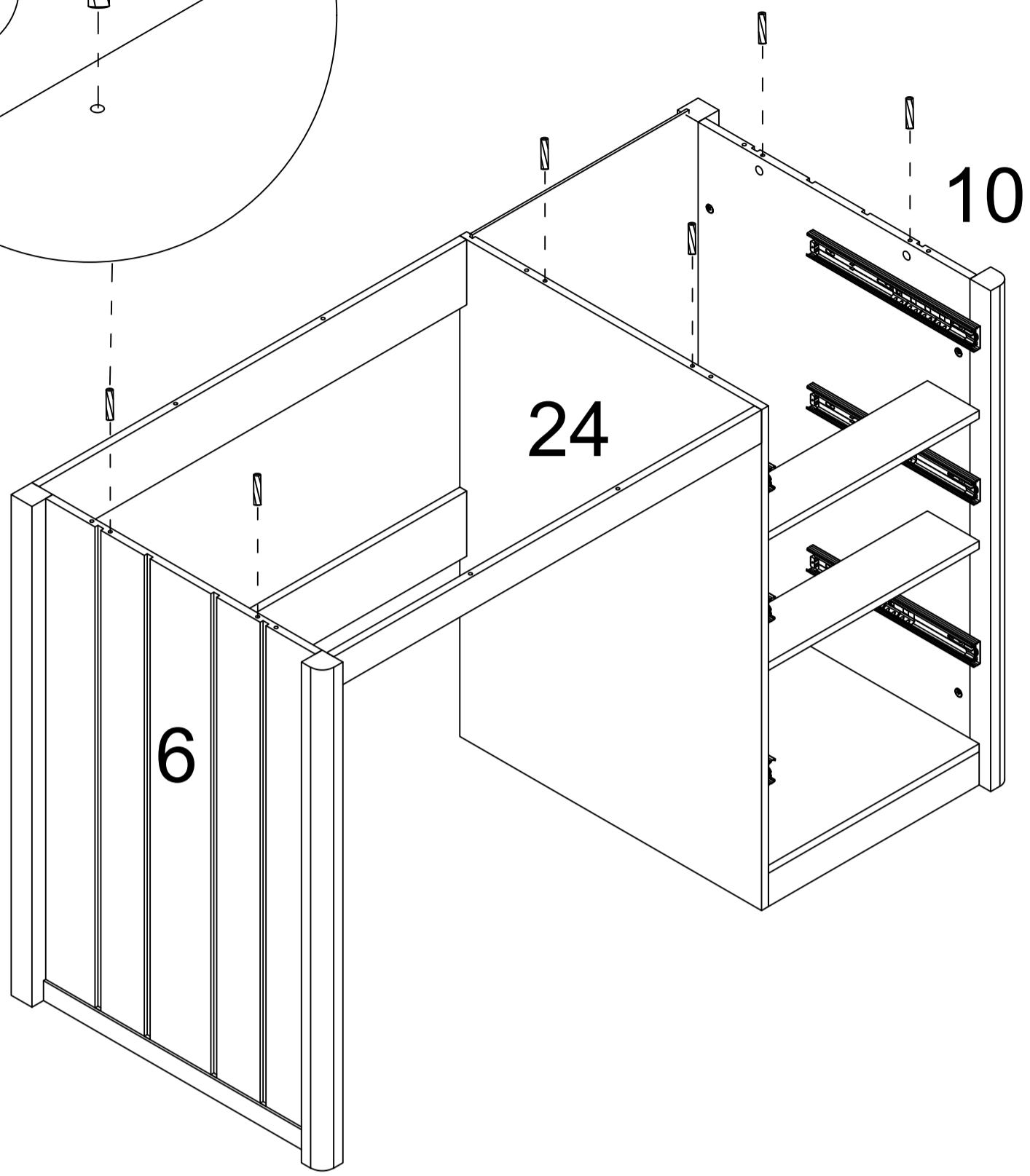
Step 50



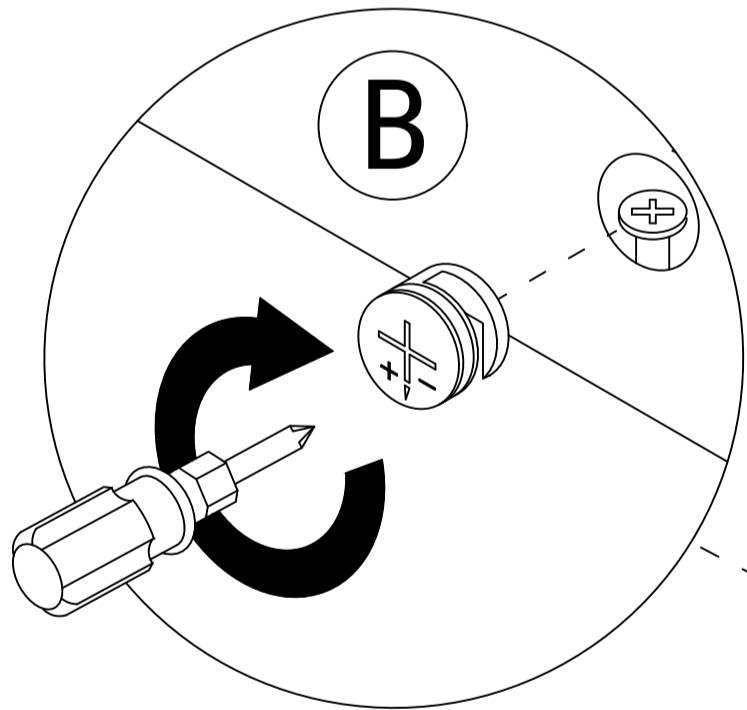
C



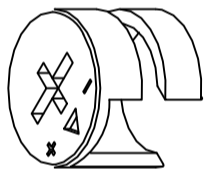
x6



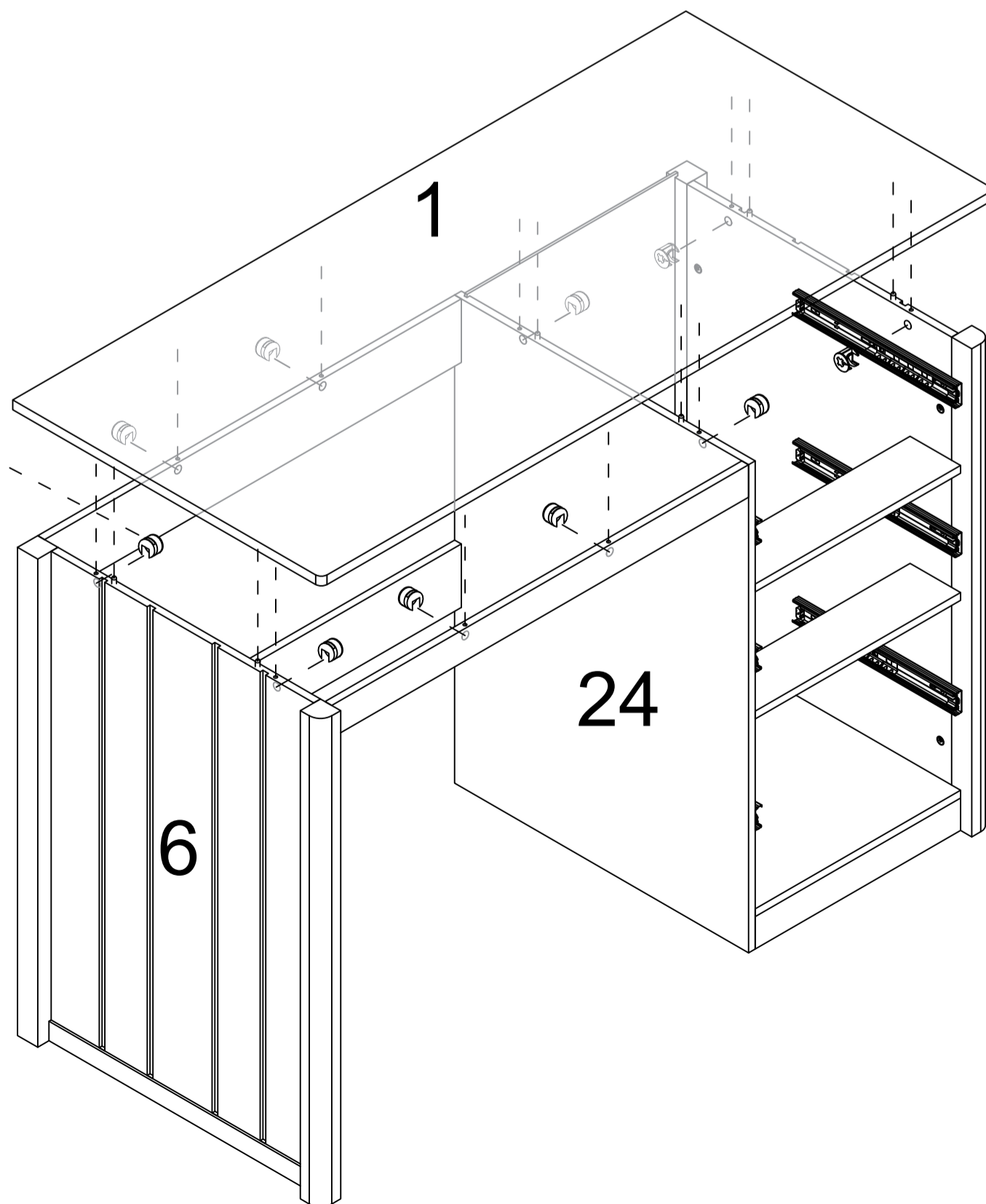
Step 51



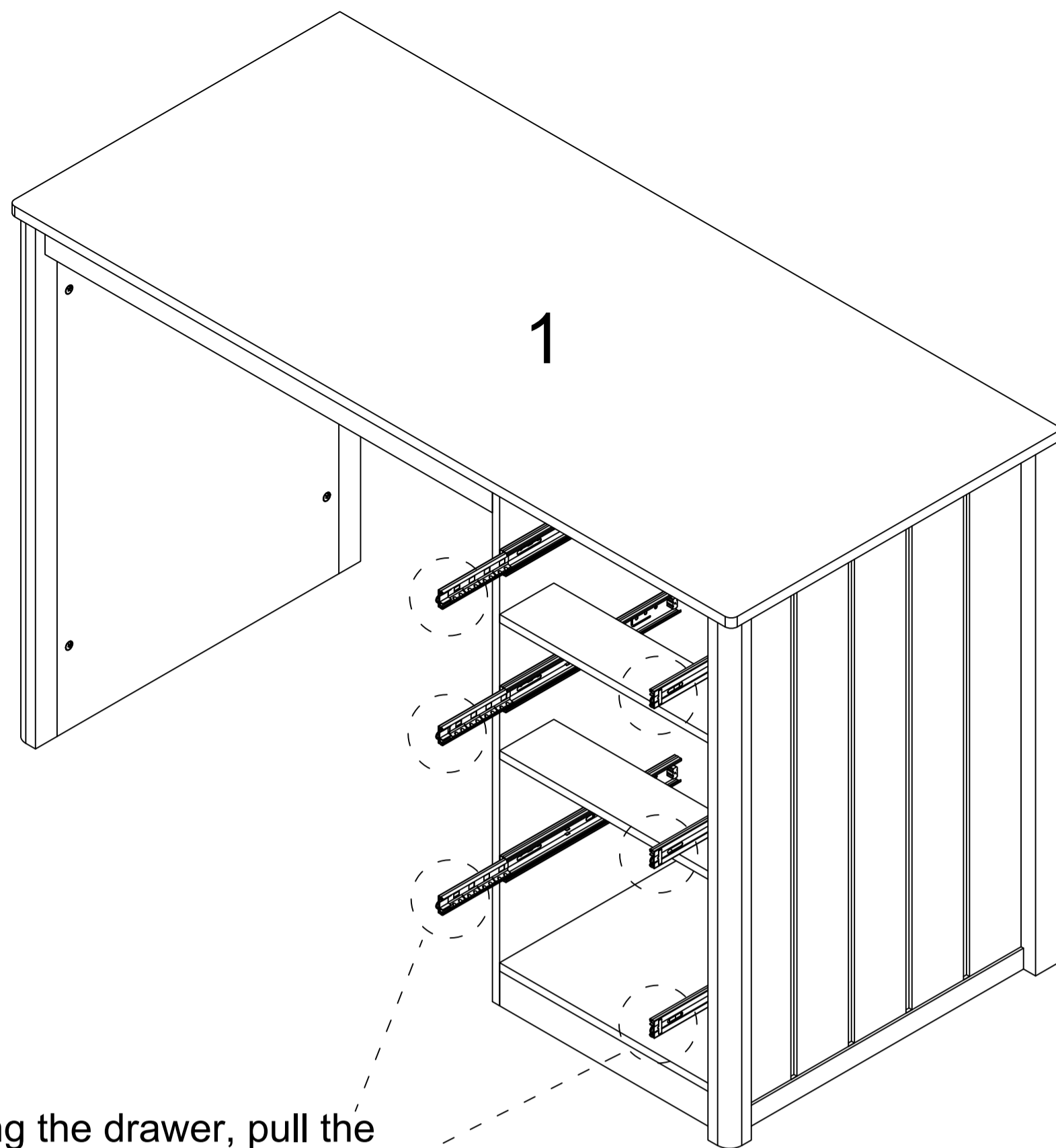
B



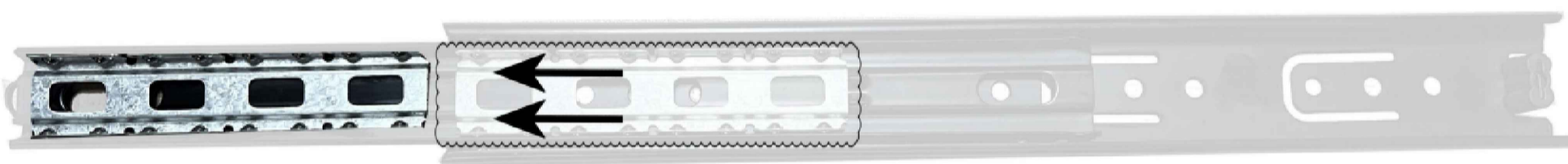
x10



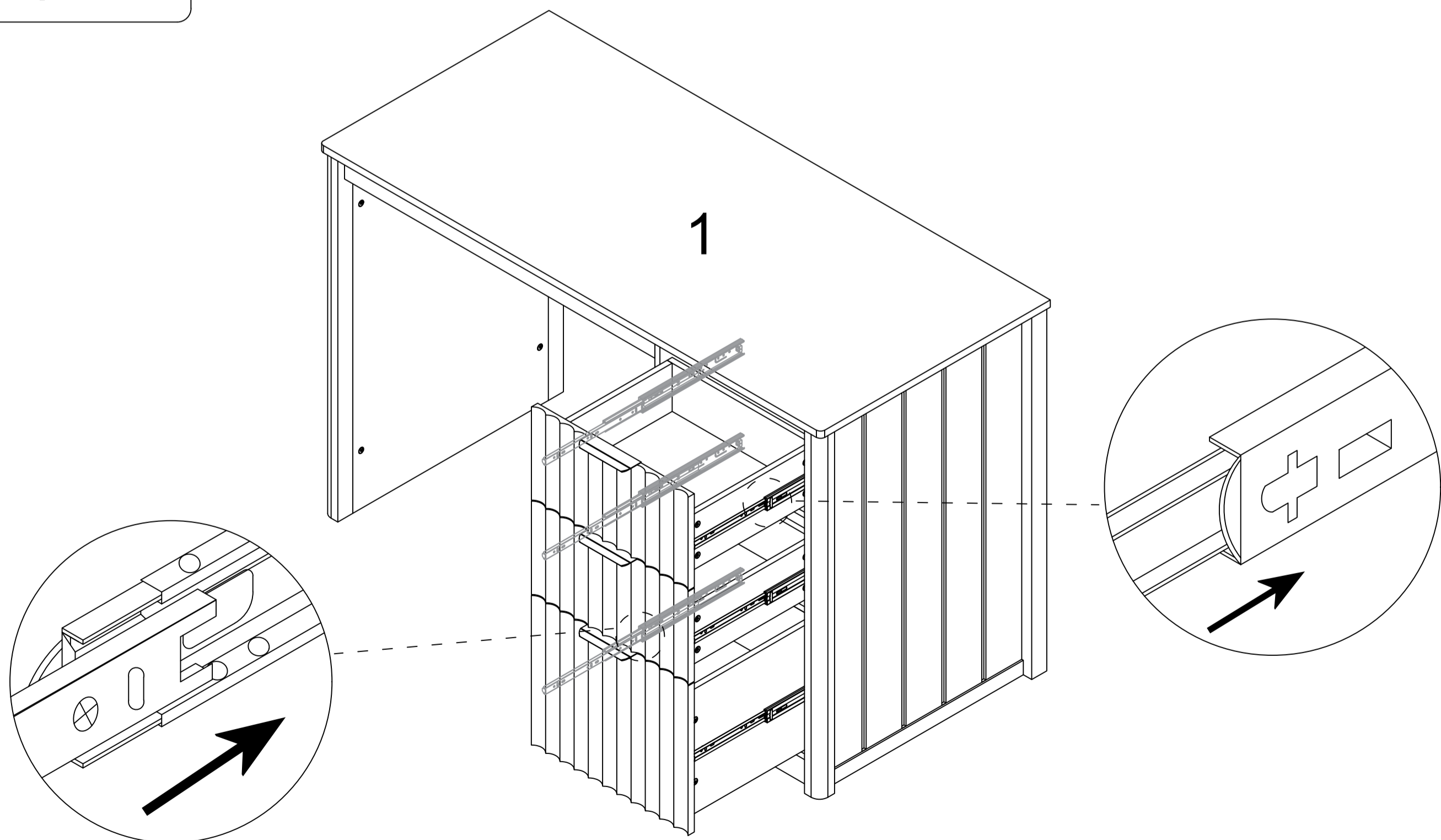
Step 52



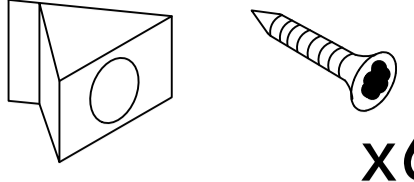
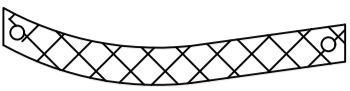
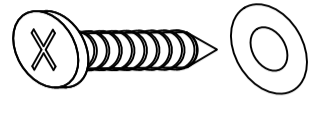
As shown, When installing the drawer, pull the guide rail out first, Slide beads are also pulled out.

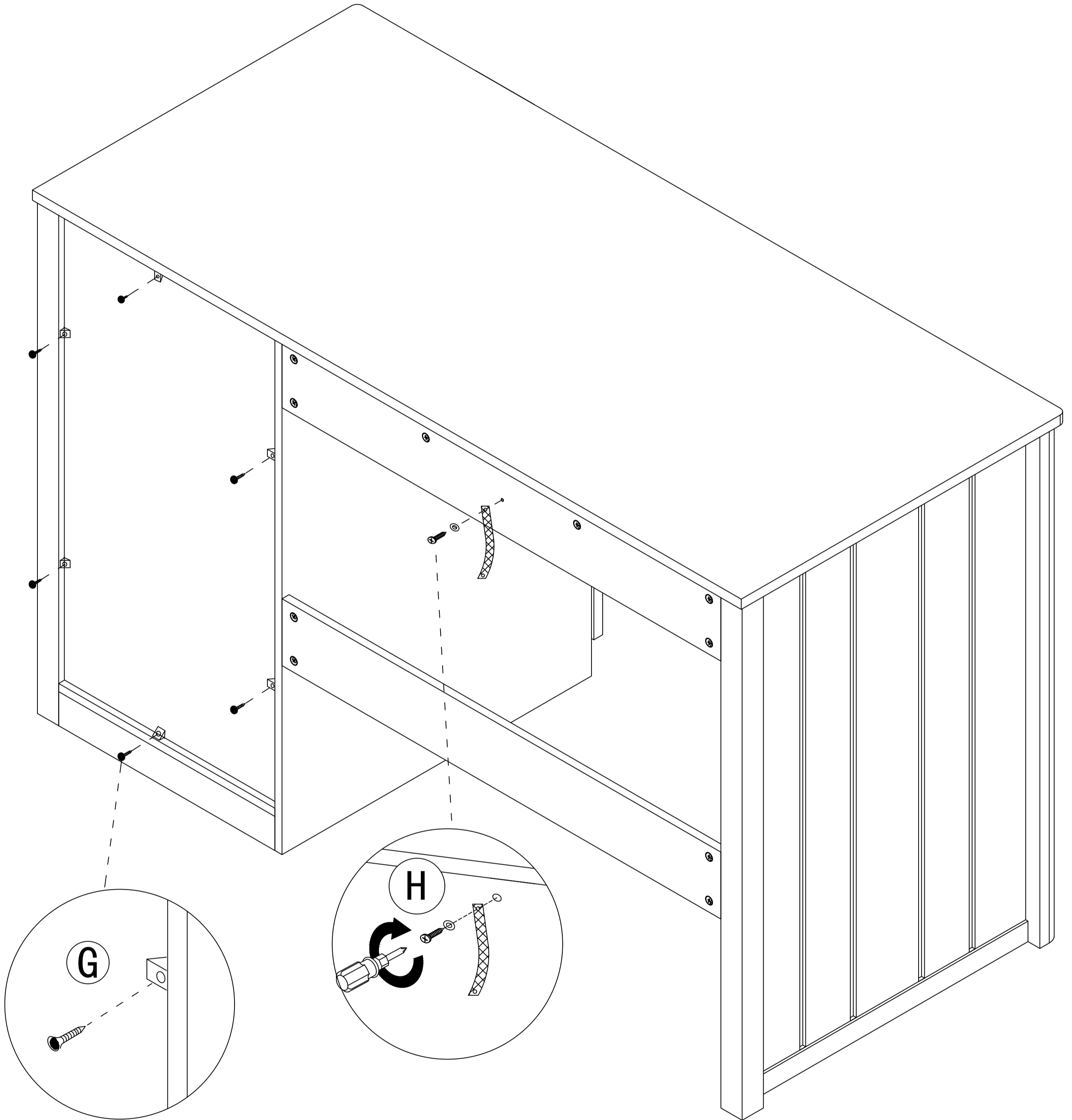


Step 53



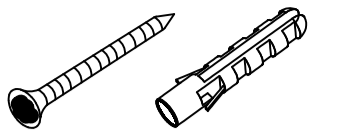
Step 54

- G**  x6
- H**  x1
-  x1



Step 55

H



x1

