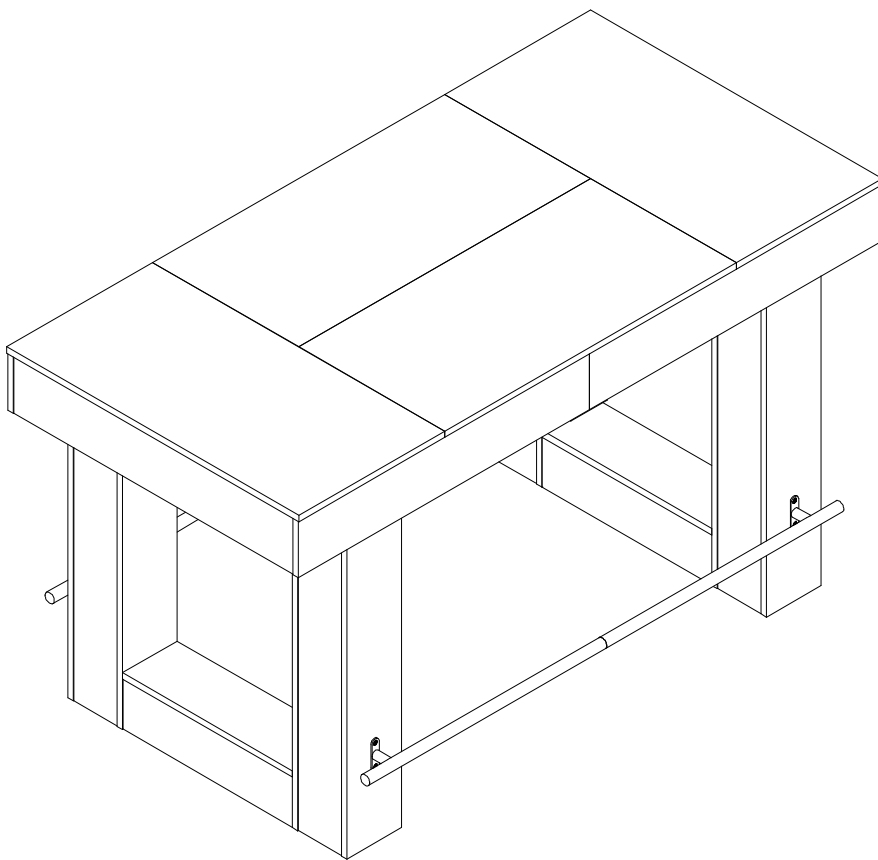


# Assembly Instructions



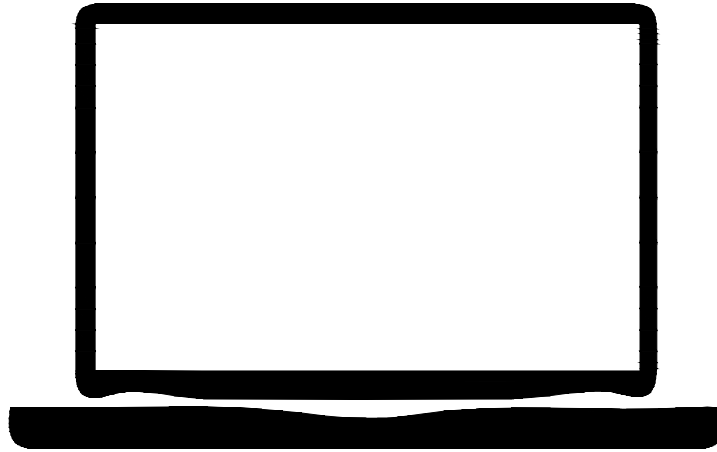
---

Bar Table

---

# Contact Us

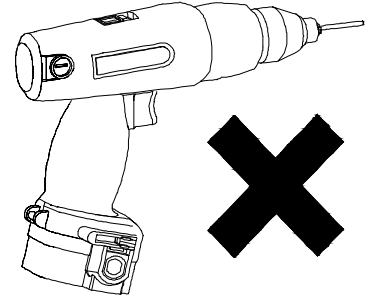
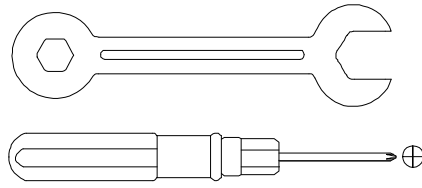
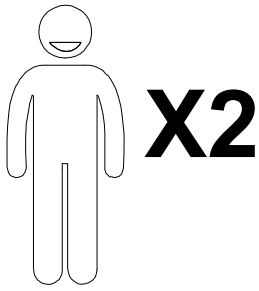
## We're here to help you.



Your satisfaction is our top priority. If you encounter any issues with this product, such as missing or damaged parts, we're here to help. Please retain the original packaging and take photos of the packaging and the product, then contact us as soon as possible.

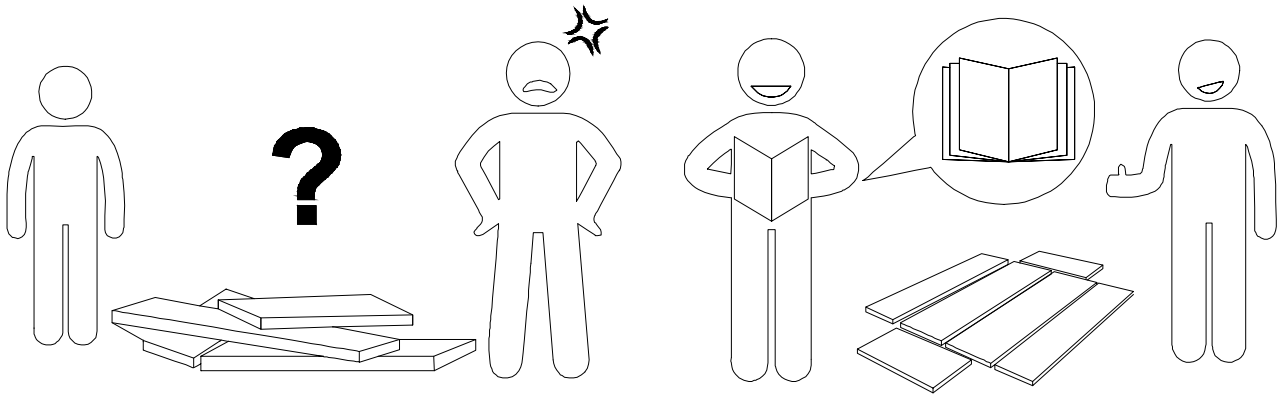
### Warm Tips

1. Carefully read these instructions and keep them for future reference.
2. Check the parts list and confirm everything's there before starting assembly.
3. When assembling, put all parts on a soft, smooth surface like a carpet to avoid scratches.
4. Don't fully tighten screws until all parts are confirmed in place to avoid misalignment.



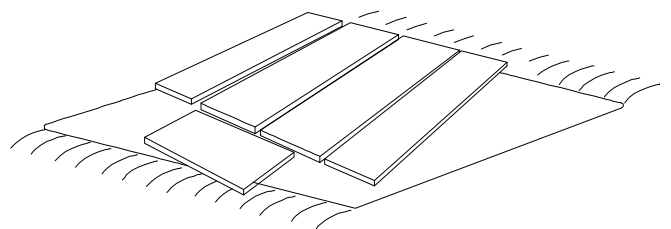
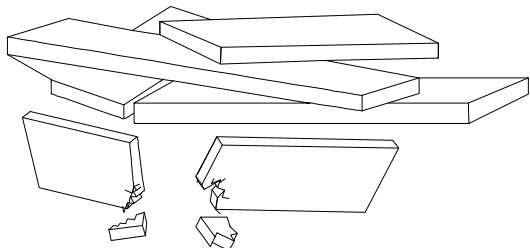
We recommend using hand tools for assembly.

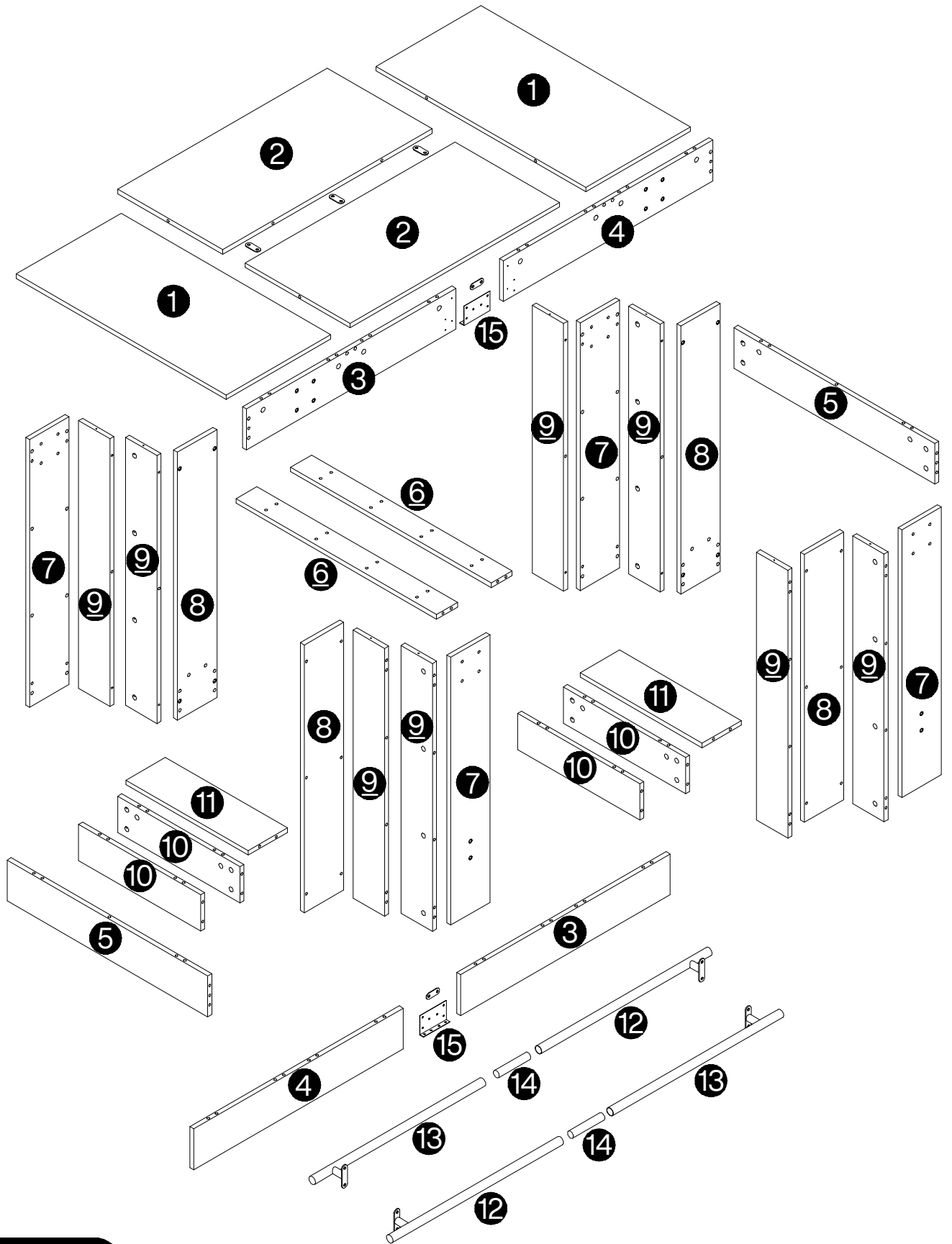
If an electric screwdriver is used, reduce power and torque to avoid damage to the product.



## AVOID SCRATCHES

In order to avoid scratching, this furniture should be assembled on a soft surface, such as a rug.

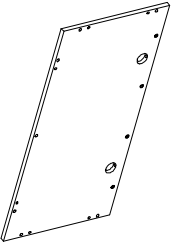
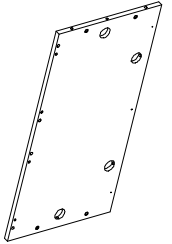
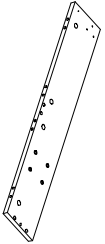
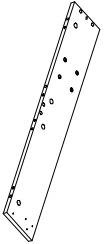
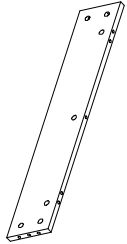
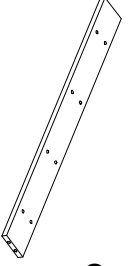
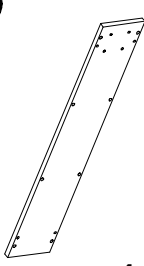
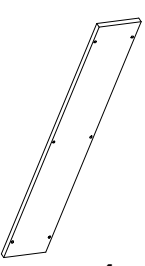
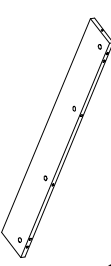
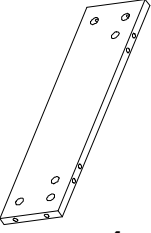
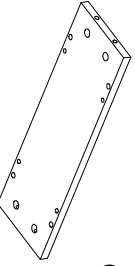
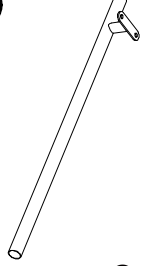
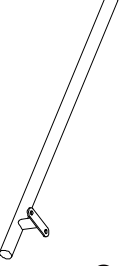
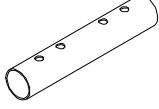
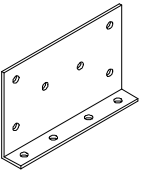




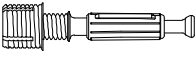
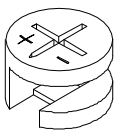
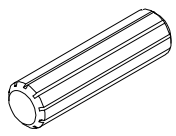


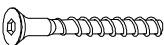



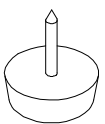
**⚠ Caution**

Make sure all parts are included. Most board parts are labeled or stamped on the raw edge. Contact us for a free replacement if you encounter any damaged or missing parts.

## Parts List

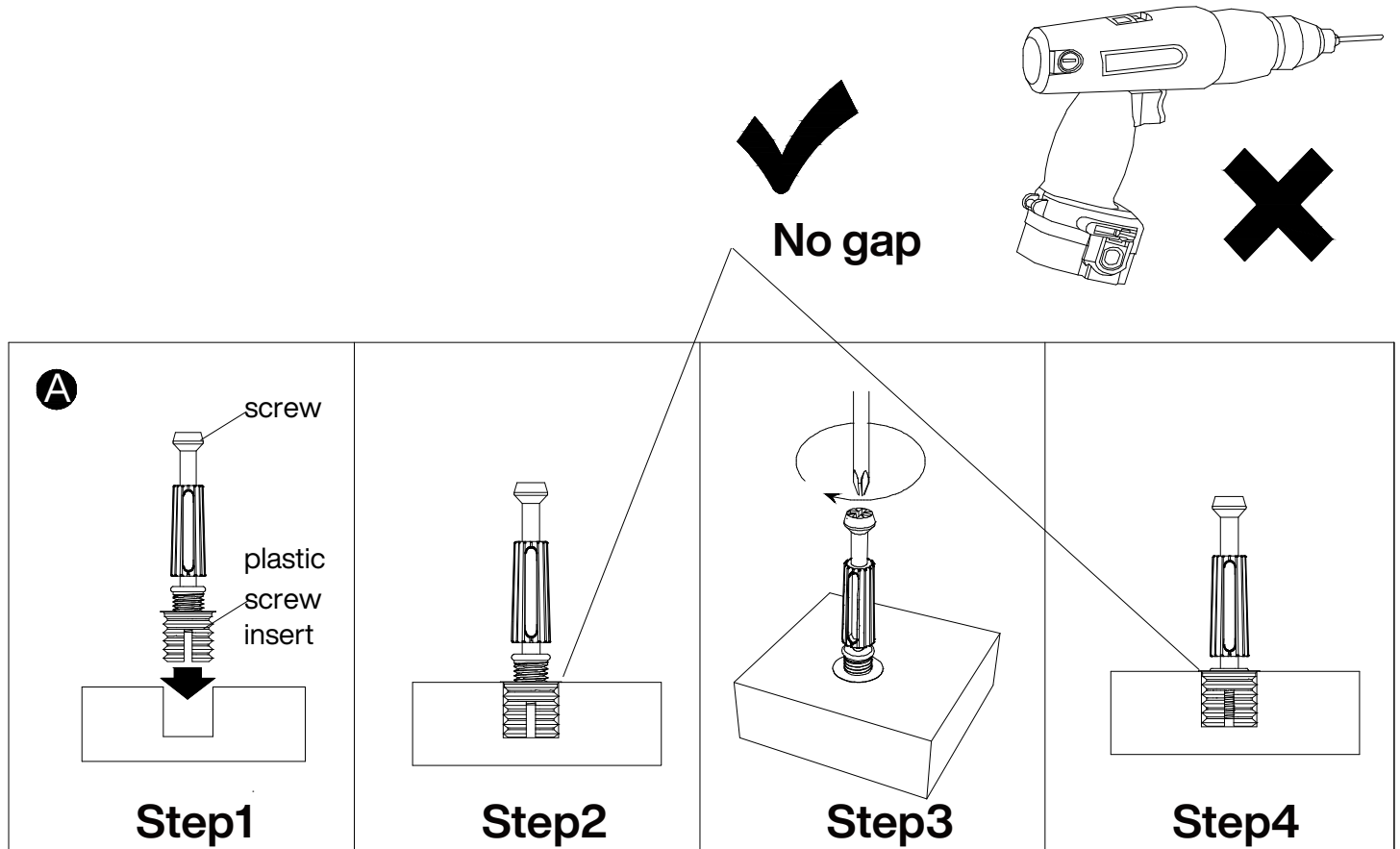
<b>1</b>  2 pcs	<b>2</b>  2 pcs	<b>3</b>  2 pcs	<b>4</b>  2 pcs	<b>5</b>  2 pcs
<b>6</b>  2 pcs	<b>7</b>  4 pcs	<b>8</b>  4 pcs	<b>9</b>  8 pcs	<b>10</b>  4 pcs
<b>11</b>  2 pcs	<b>12</b>  2 pcs	<b>13</b>  2 pcs	<b>14</b>  2 pcs	<b>15</b>  2 pcs

## Hardware List

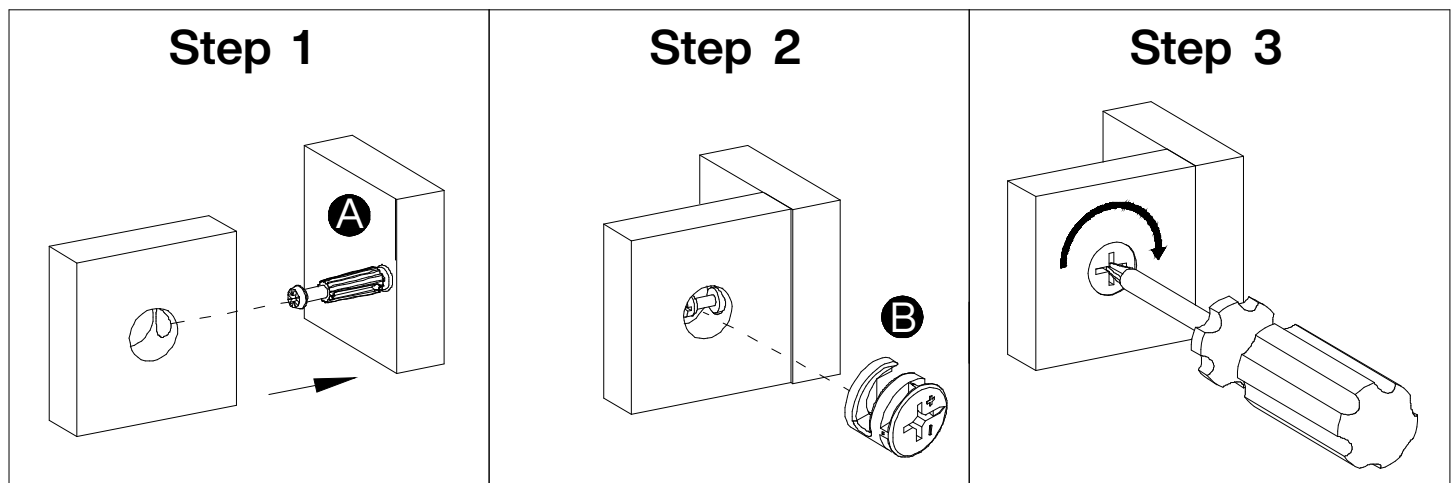
A	B	C	D	E
				
Ø6x40mm	Ø15x12mm	Ø7.8x30mm	47x16x2mm	Ø3.5x14mm
102 pcs	102 pcs	72 pcs	6 pcs	32 pcs
F	G	H	I	J
				
Ø7x47mm	M6x25mm	M6x15mm	M4	Ø14x4mm
16 pcs	32 pcs	16 pcs	1 pc	16 pcs

## Installation of Cams and Pins

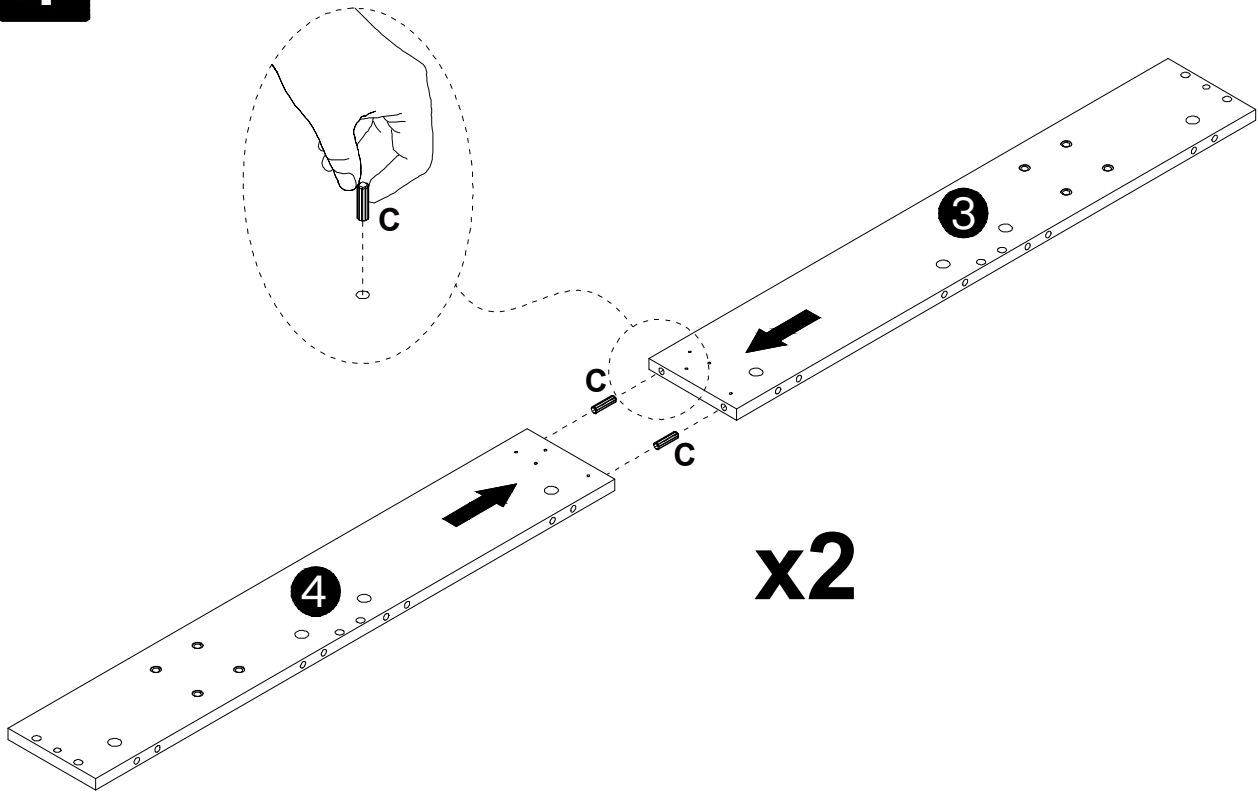
Step 1-2: Align the plastic part with the mounting hole and press it in. If you can't press it in, loosen the screw counter clockwise or completely remove the screw from the plastic part and try again.  
Step 3-4: After pressing the plastic part into place, use a screwdriver to tighten the screw clockwise.

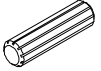


Screw the pin into the hole. Set the cams correctly by aligning the head of the cams with the lock pins. Lock the cam by turning the cam head with a screwdriver until it is tightened. Please do not use an electric screwdriver to assemble the unit.

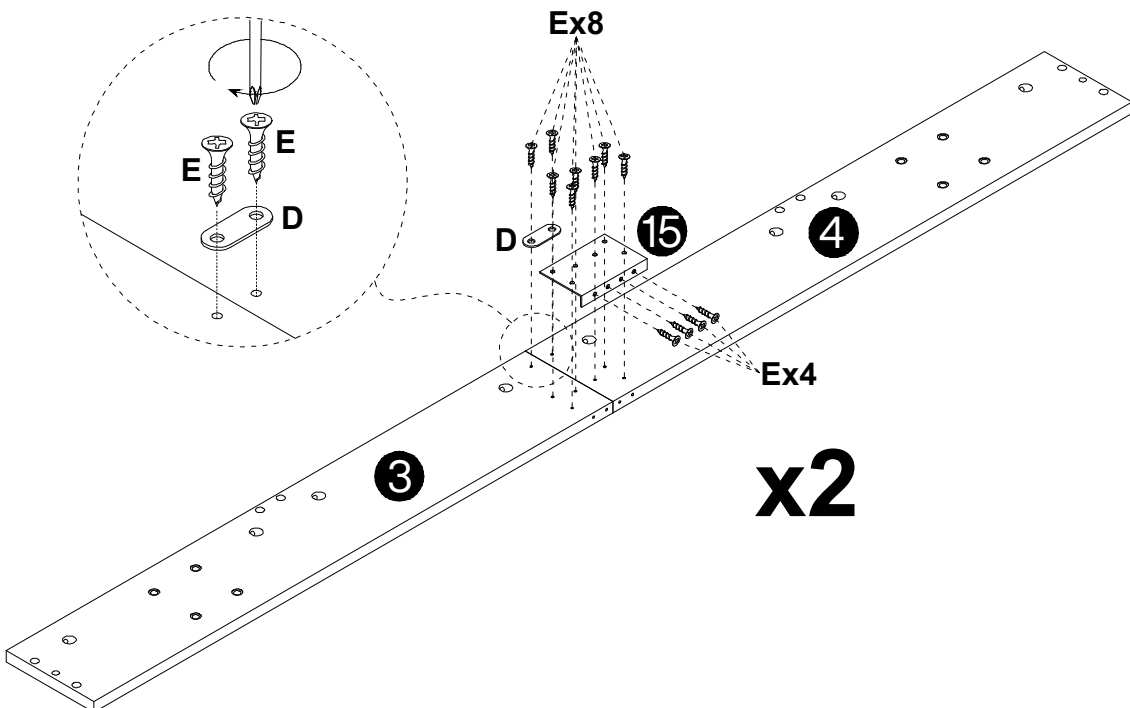


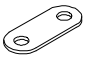

**1**



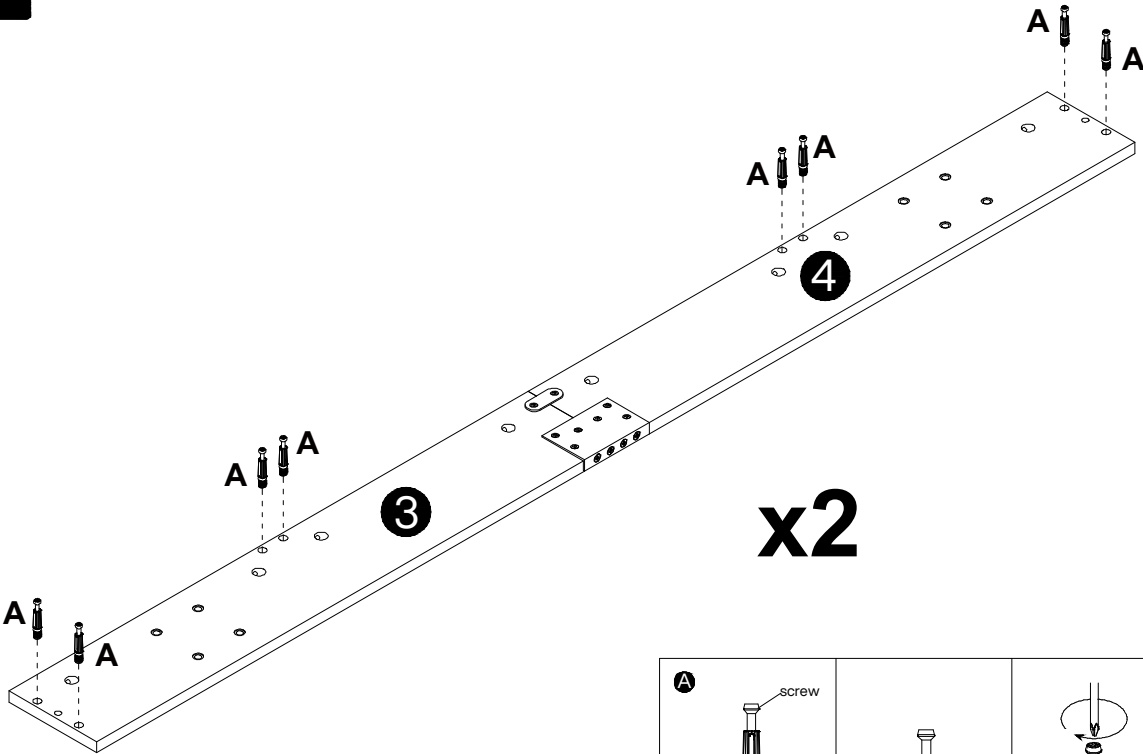
<b>C</b>

Ø7.8x30mm
4 pcs


**2**

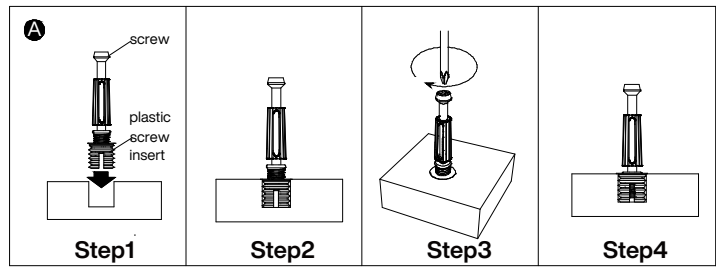


<b>D</b>

47x16x2mm
2 pcs
<b>E</b>

Ø3.5x14mm
24 pcs

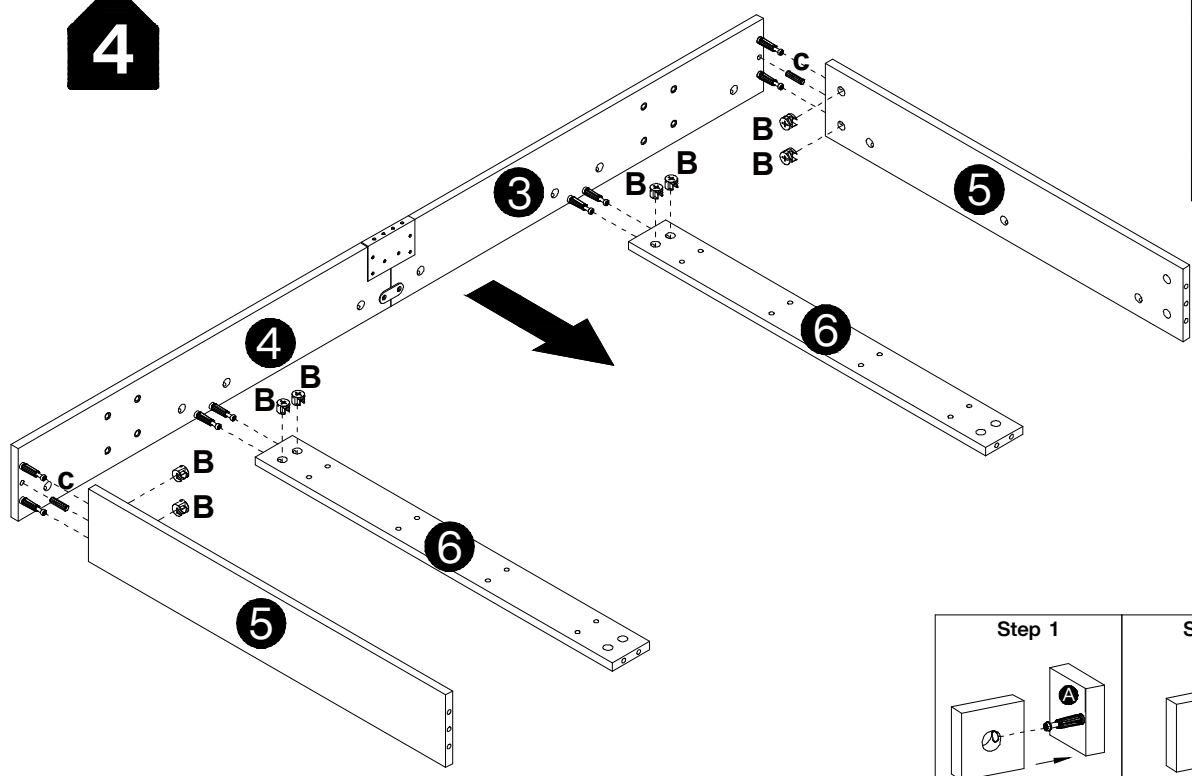
**3**


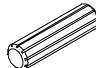


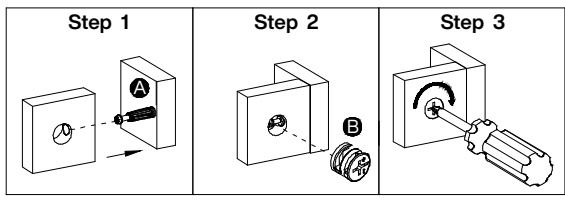
<b>A</b>
 Ø6x40mm
16 pcs



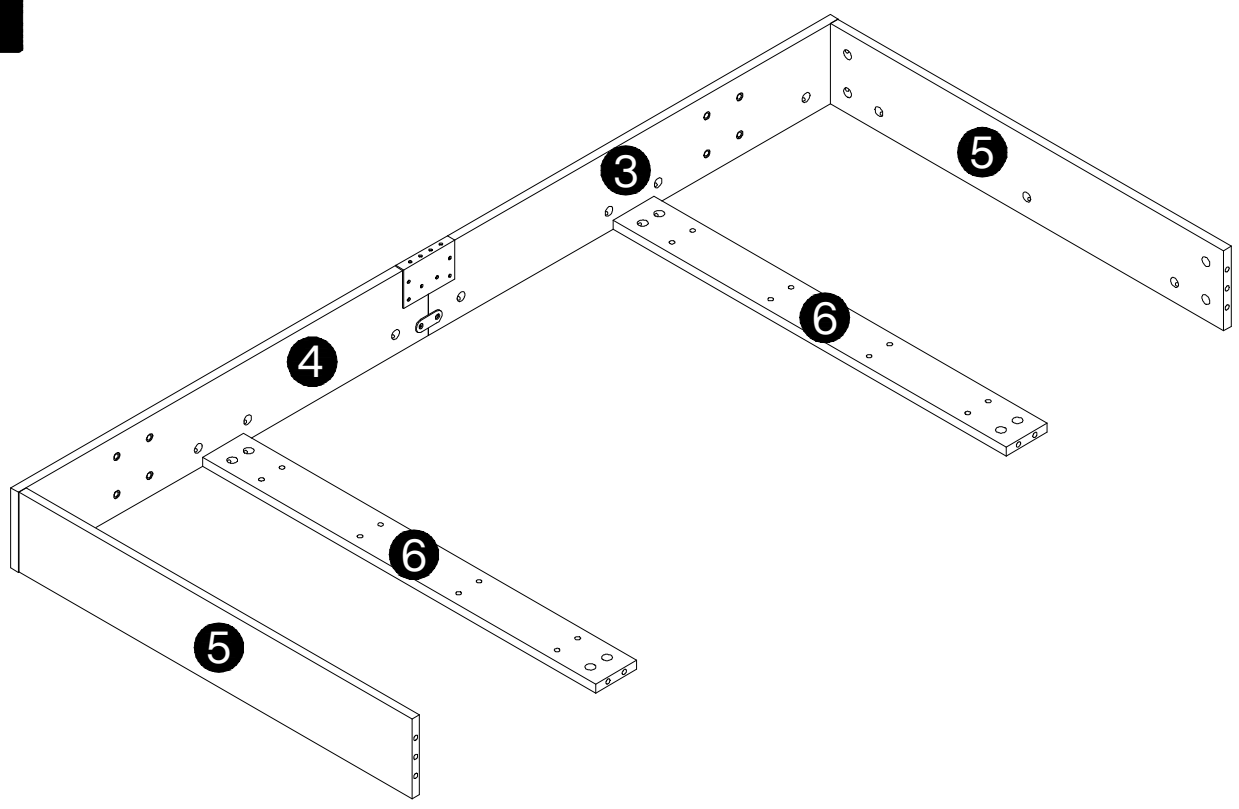
**4**



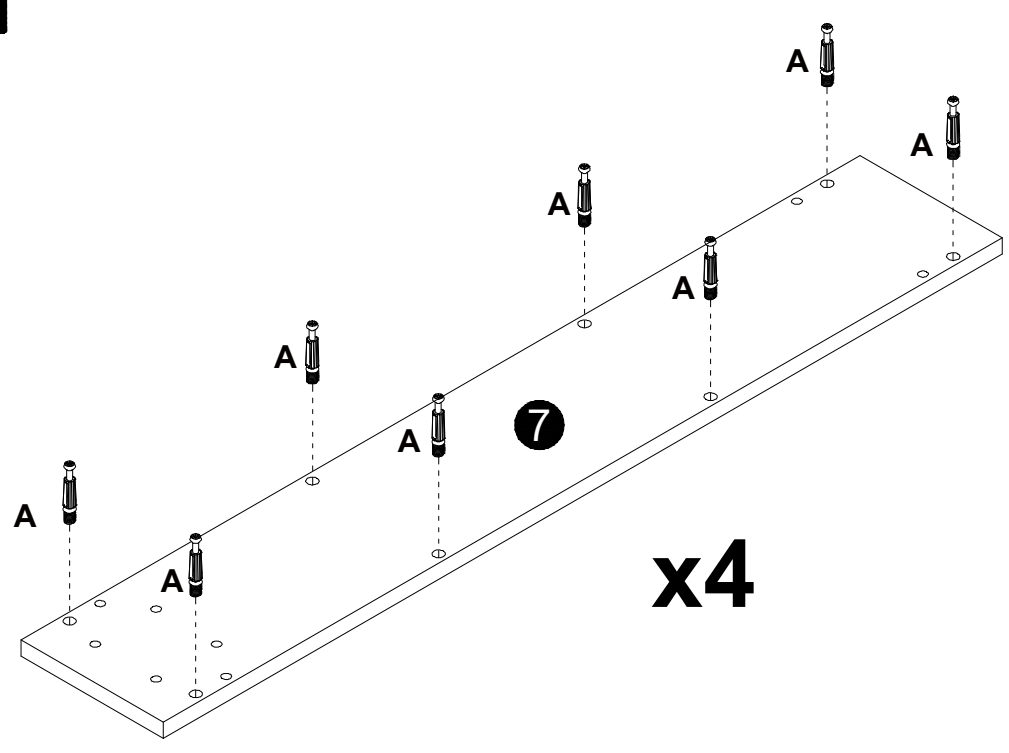
<b>B</b>	<b>C</b>
 Ø15x12mm 8 pcs	 Ø7.8x30mm 2 pcs

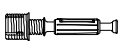


5



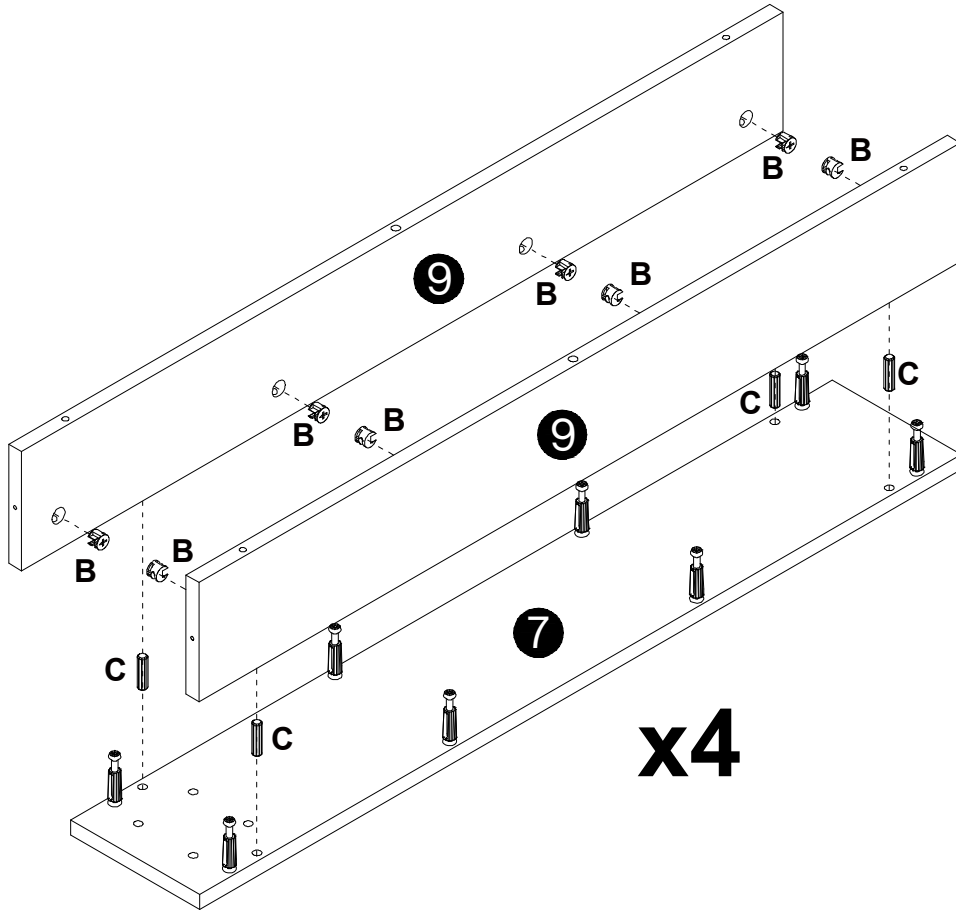
6


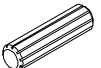


<b>A</b>

Ø6x40mm
32 pcs

x4

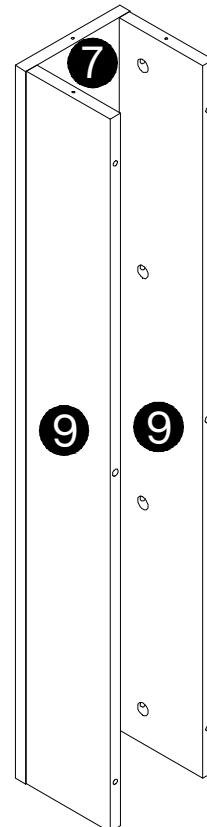
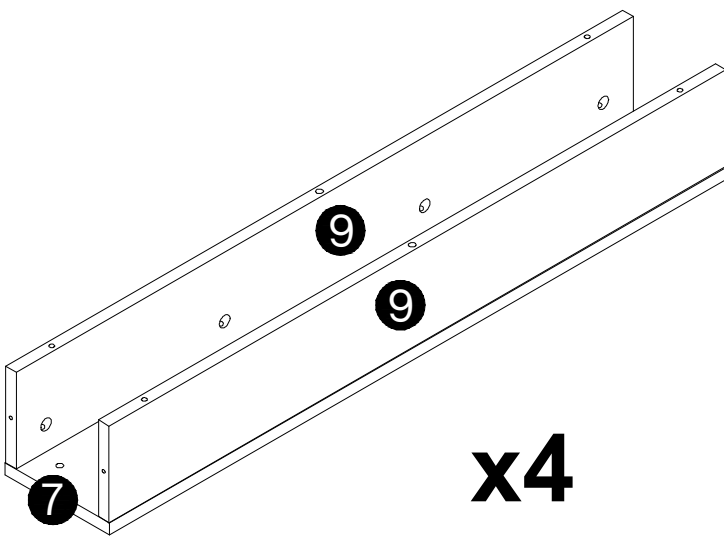
7



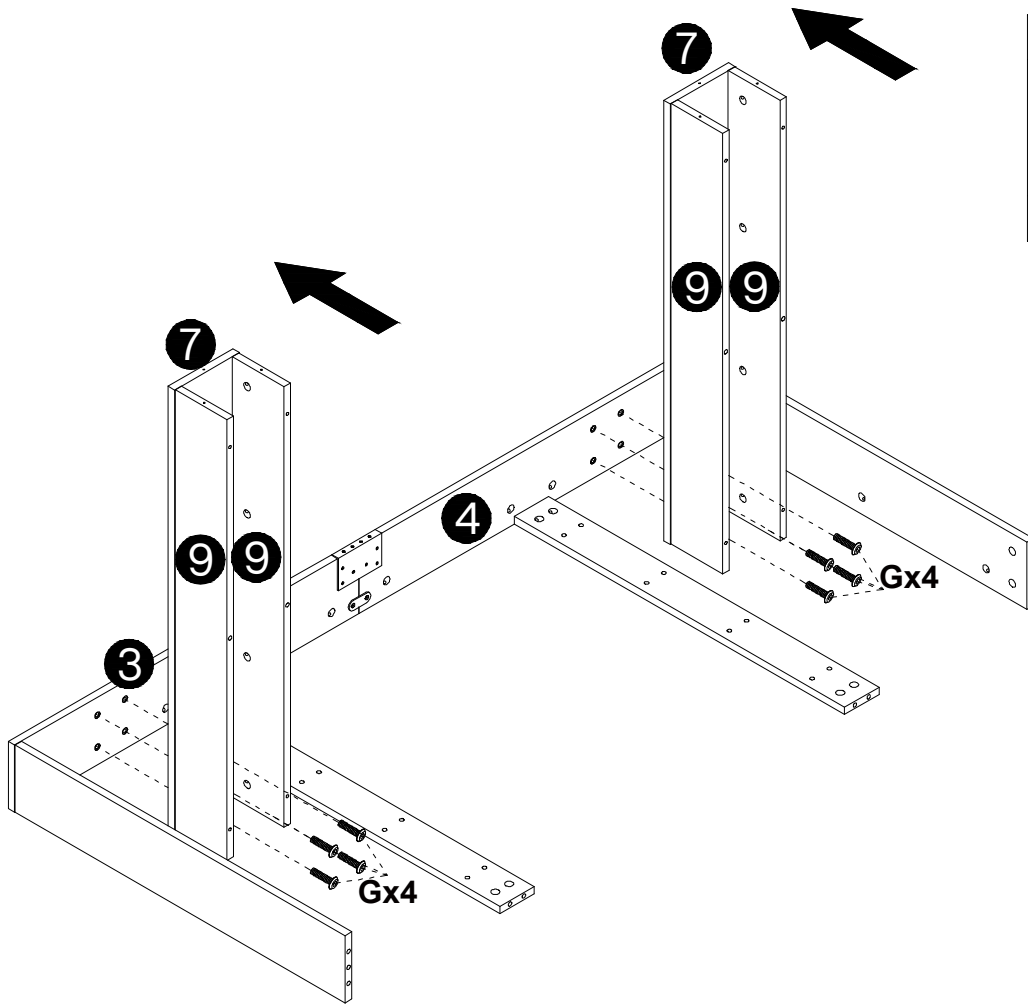
B	C
 Ø15x12mm	 Ø7.8x30mm
32 pcs	16 pcs



8

  
Rotate 180°

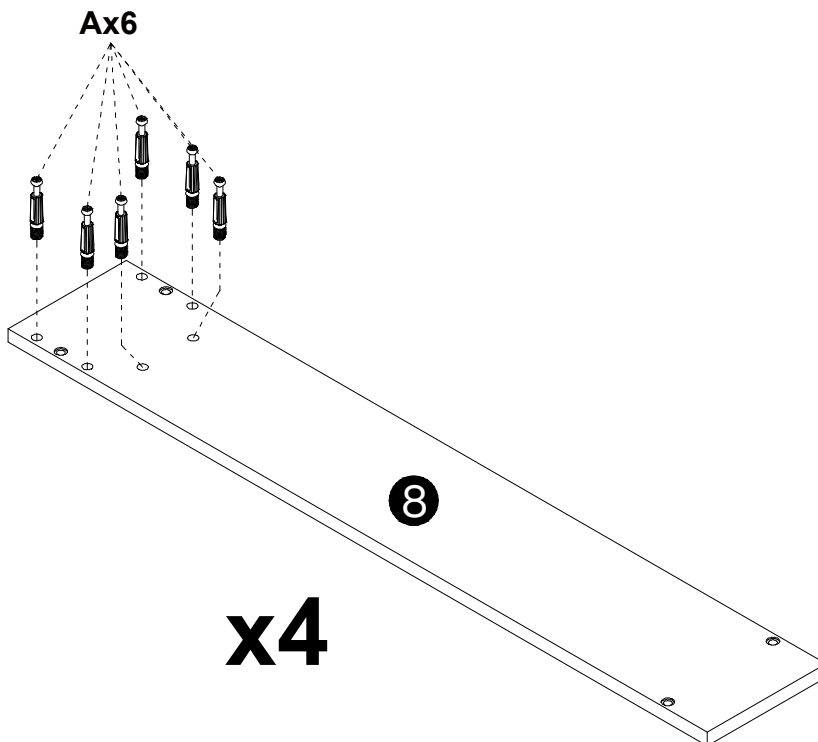



9



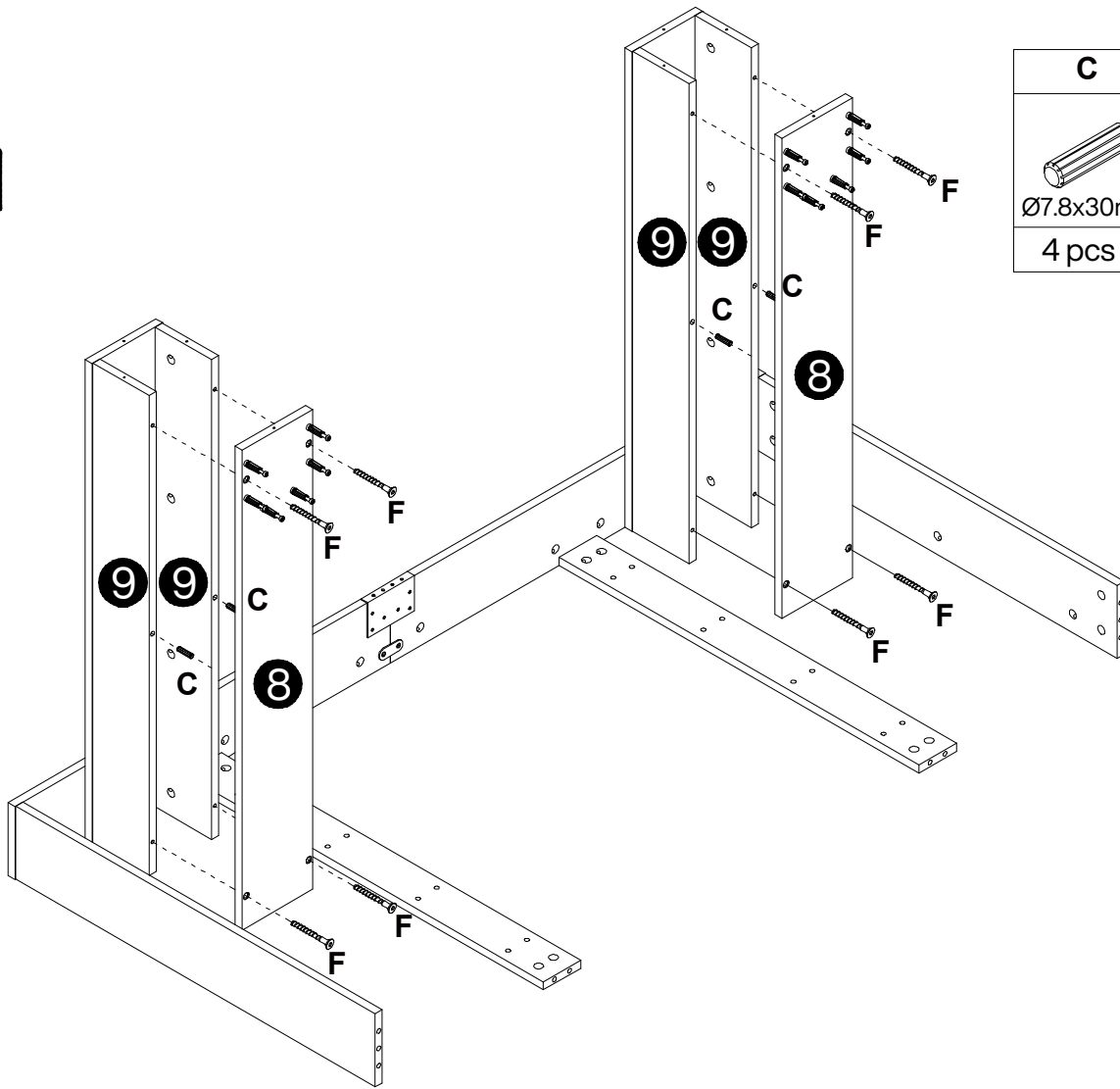
G	I
 M6x25mm	 M4
8 pcs	1 pc

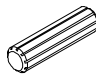
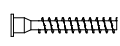
10



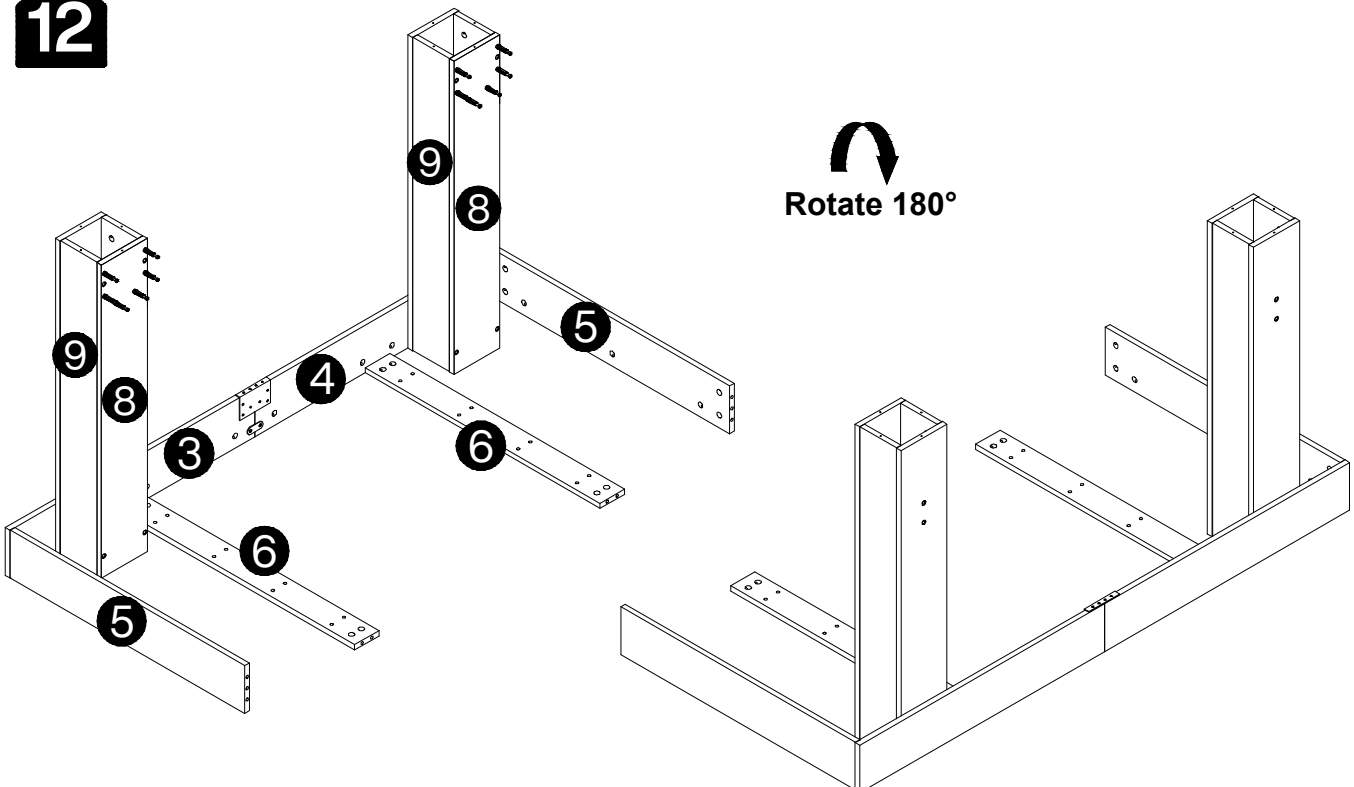
A
 Ø6x40mm
24 pcs

11

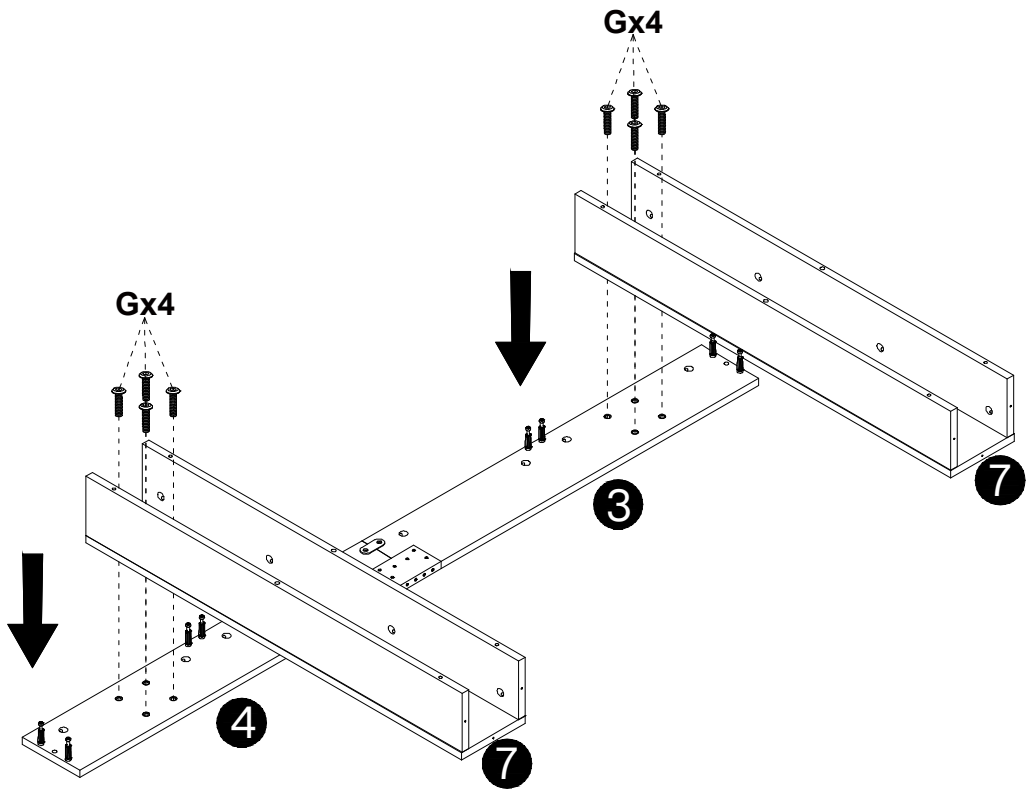



C	F
 Ø7.8x30mm	 Ø7x47mm
4 pcs	8 pcs

12

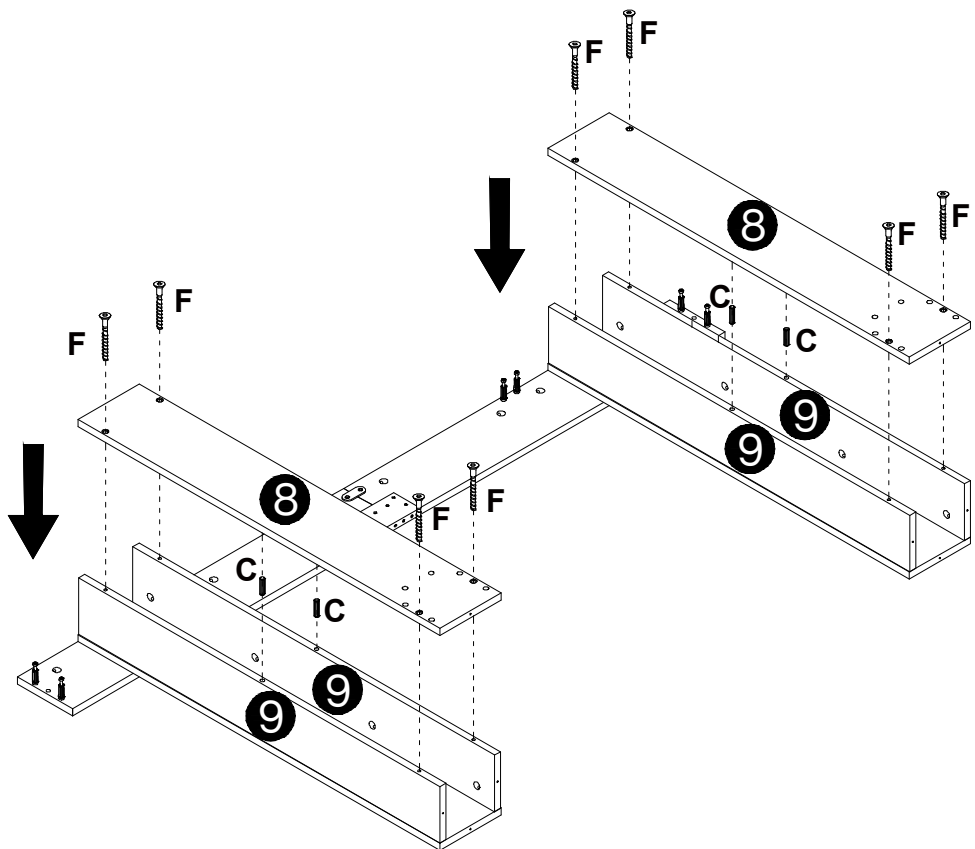


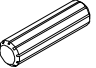

13




<b>G</b>
 M6x25mm
8 pcs

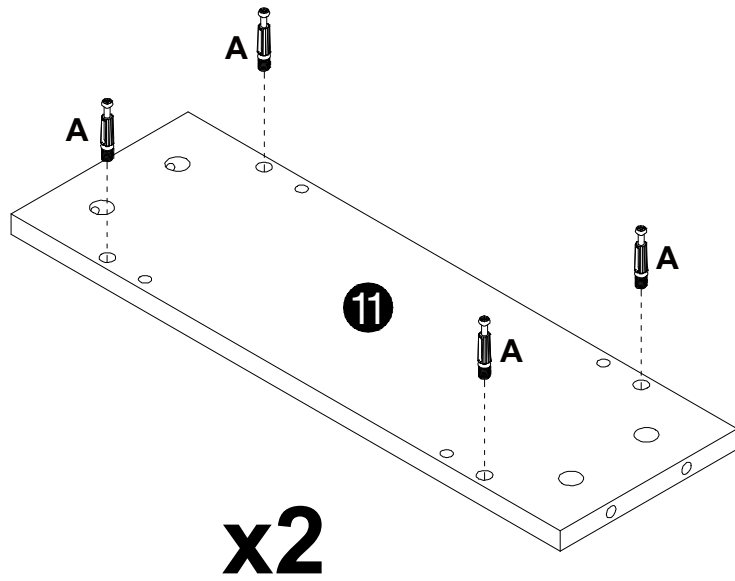
14




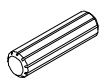
C	F
 Ø7.8x30mm	 Ø7x47mm
4 pcs	8 pcs

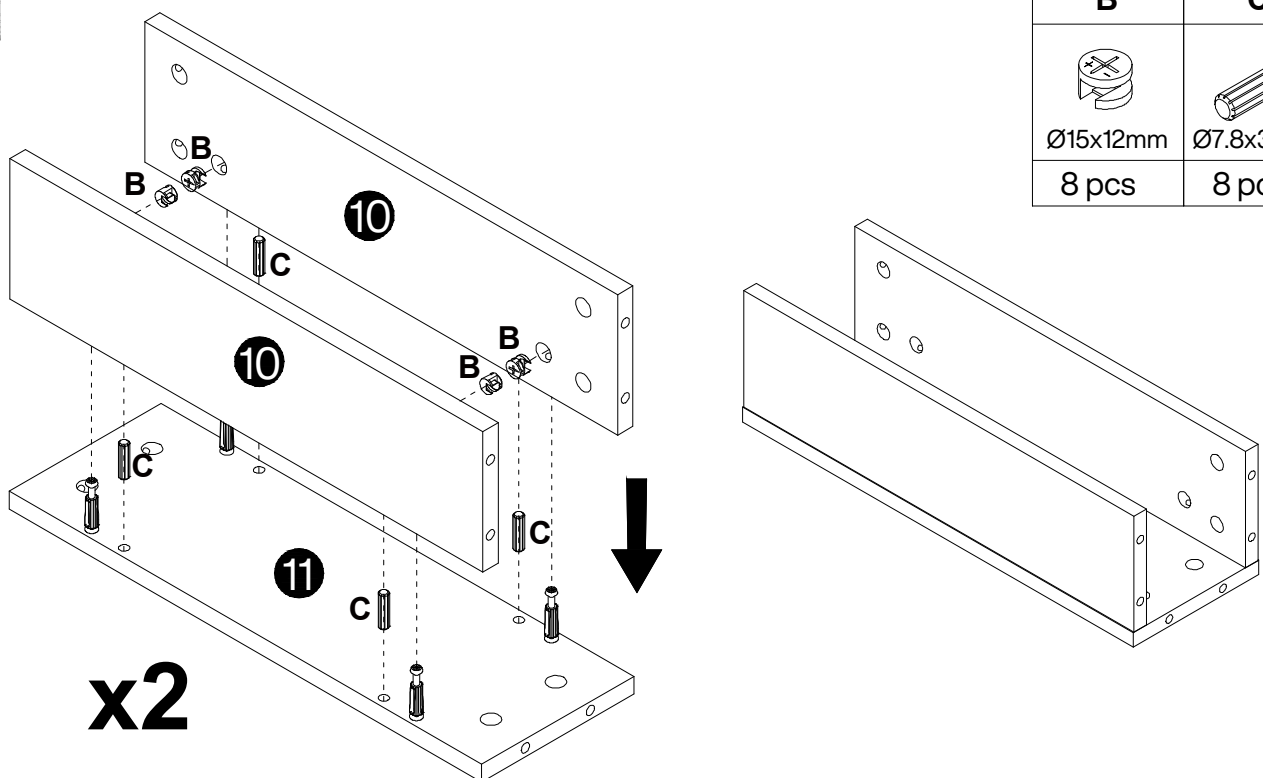
15

A

Ø6x40mm
8 pcs

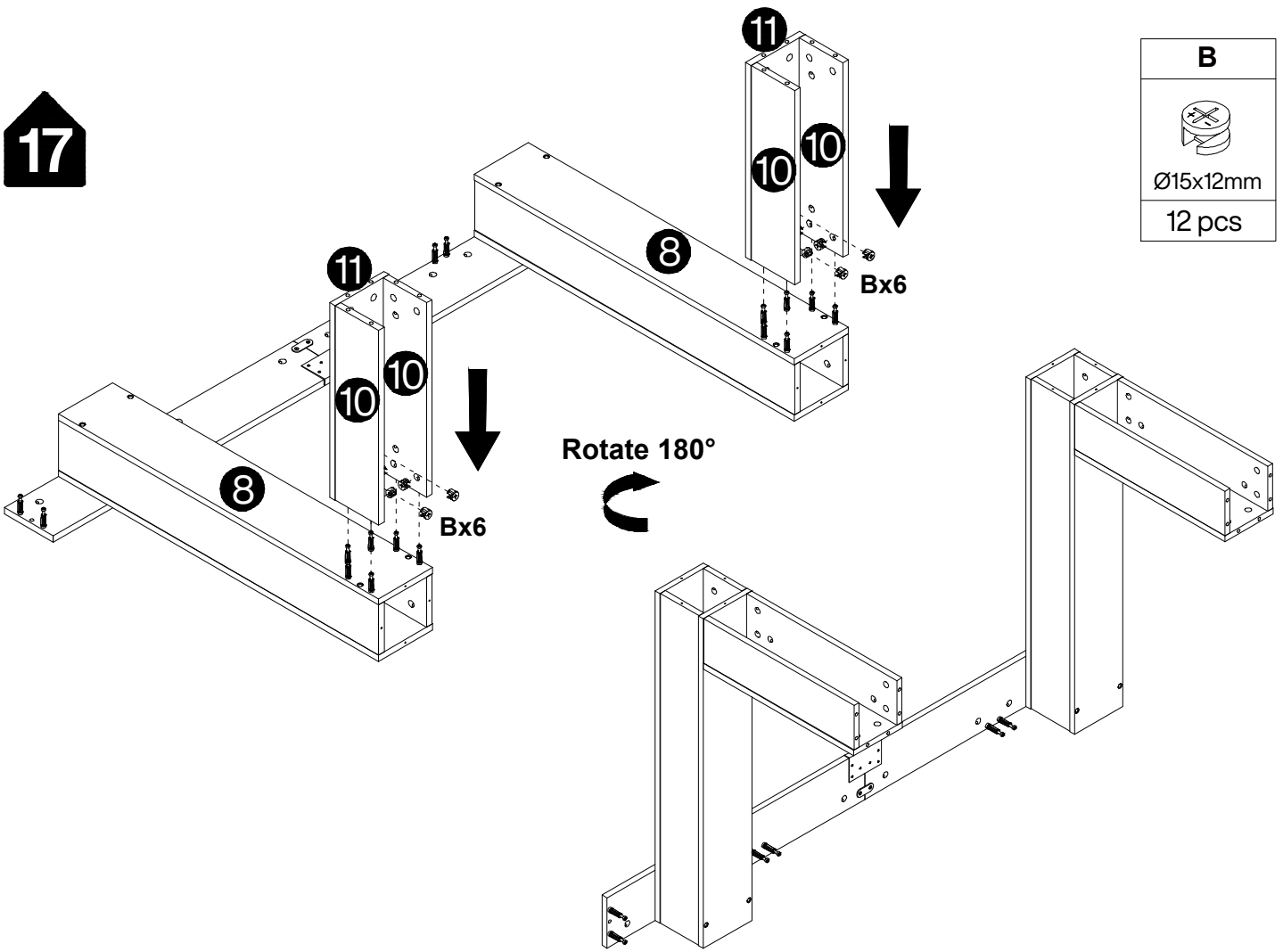



16

B	C
	
Ø15x12mm	Ø7.8x30mm
8 pcs	8 pcs

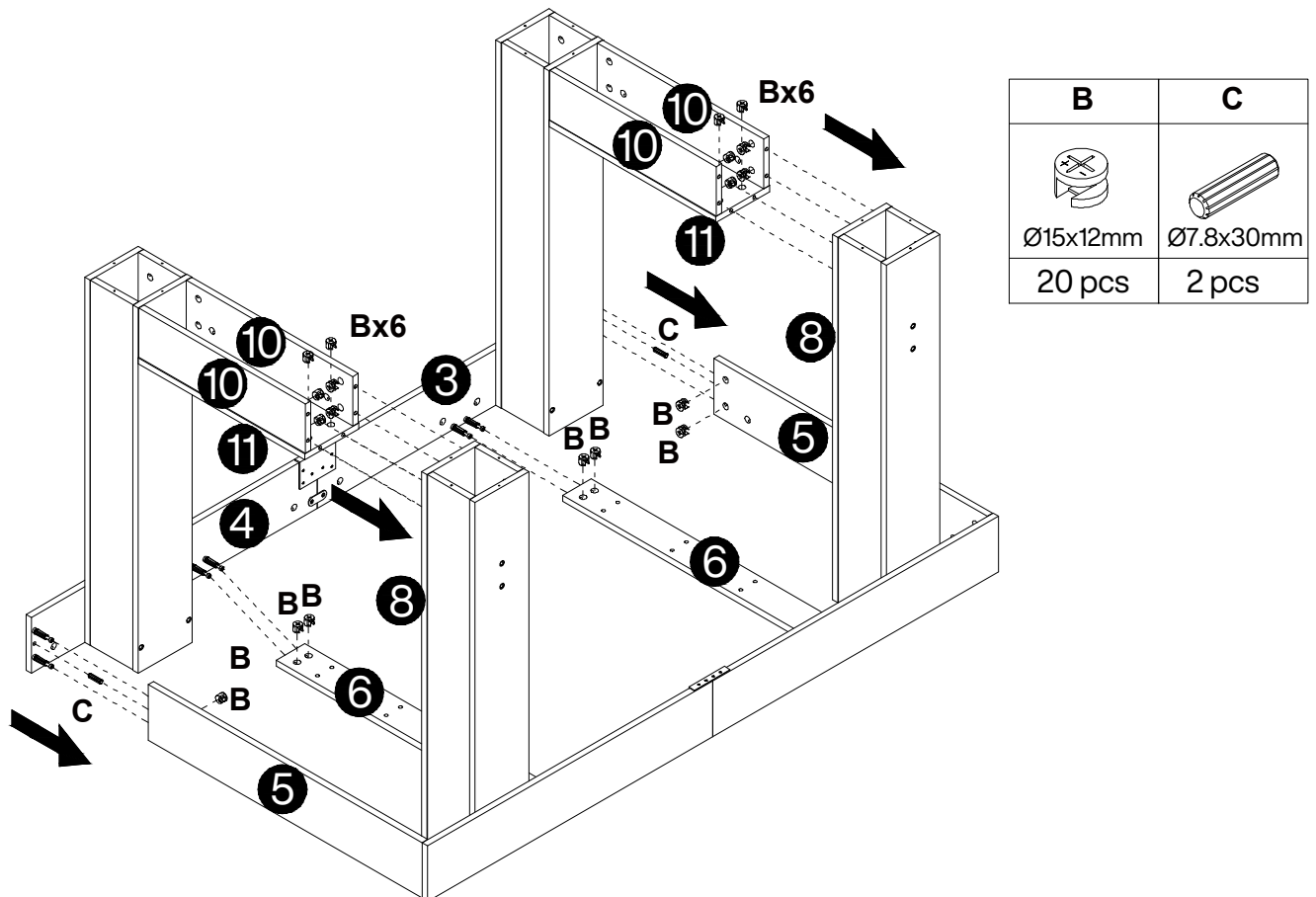



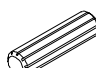
17



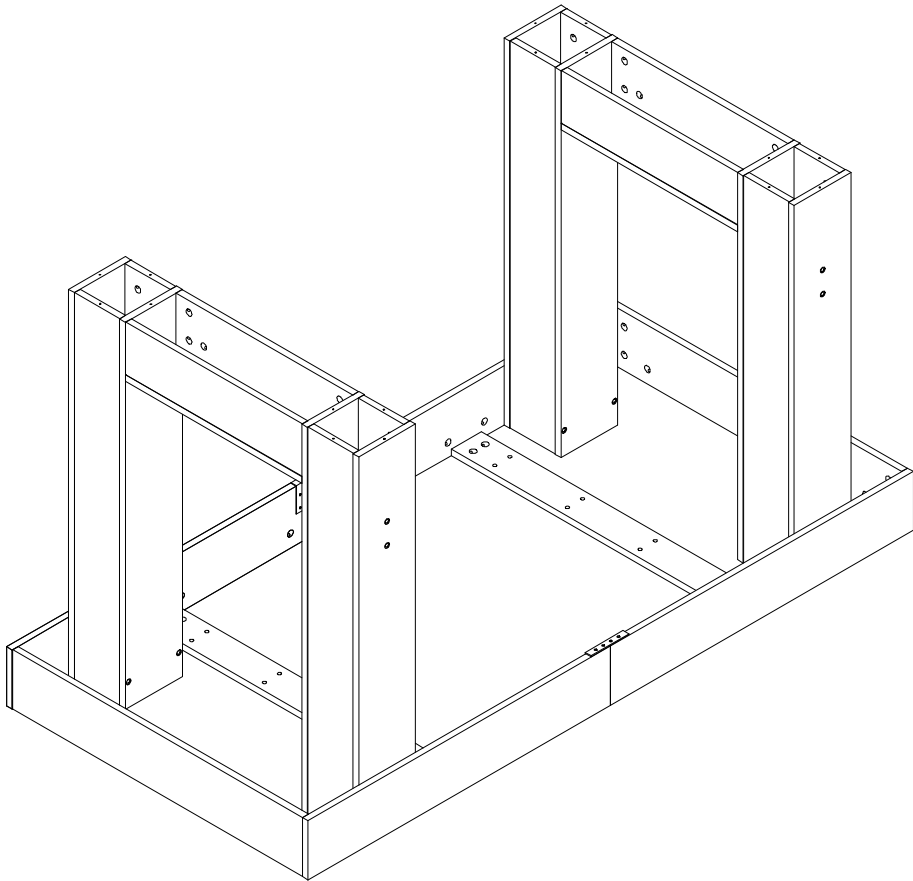
<b>B</b>

Ø15x12mm
12 pcs

18

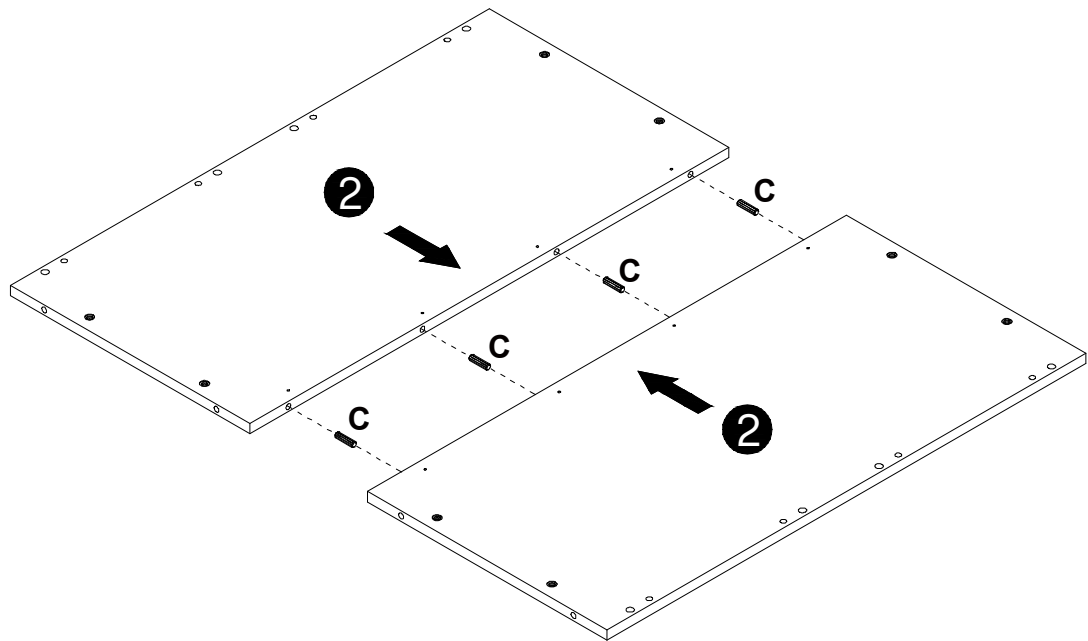


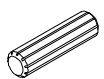
<b>B</b>	<b>C</b>
	
Ø15x12mm	Ø7.8x30mm
20 pcs	2 pcs

19





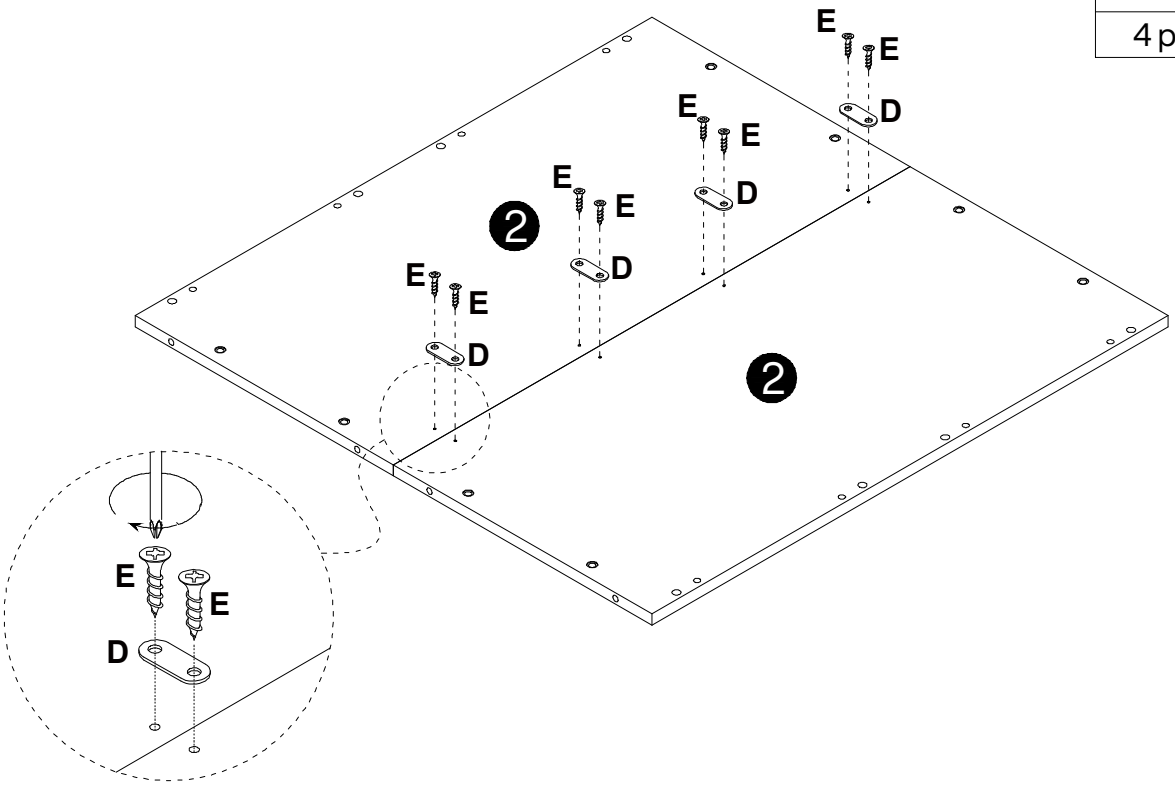
20



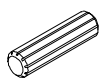
<b>C</b>
 Ø7.8x30mm
4 pcs

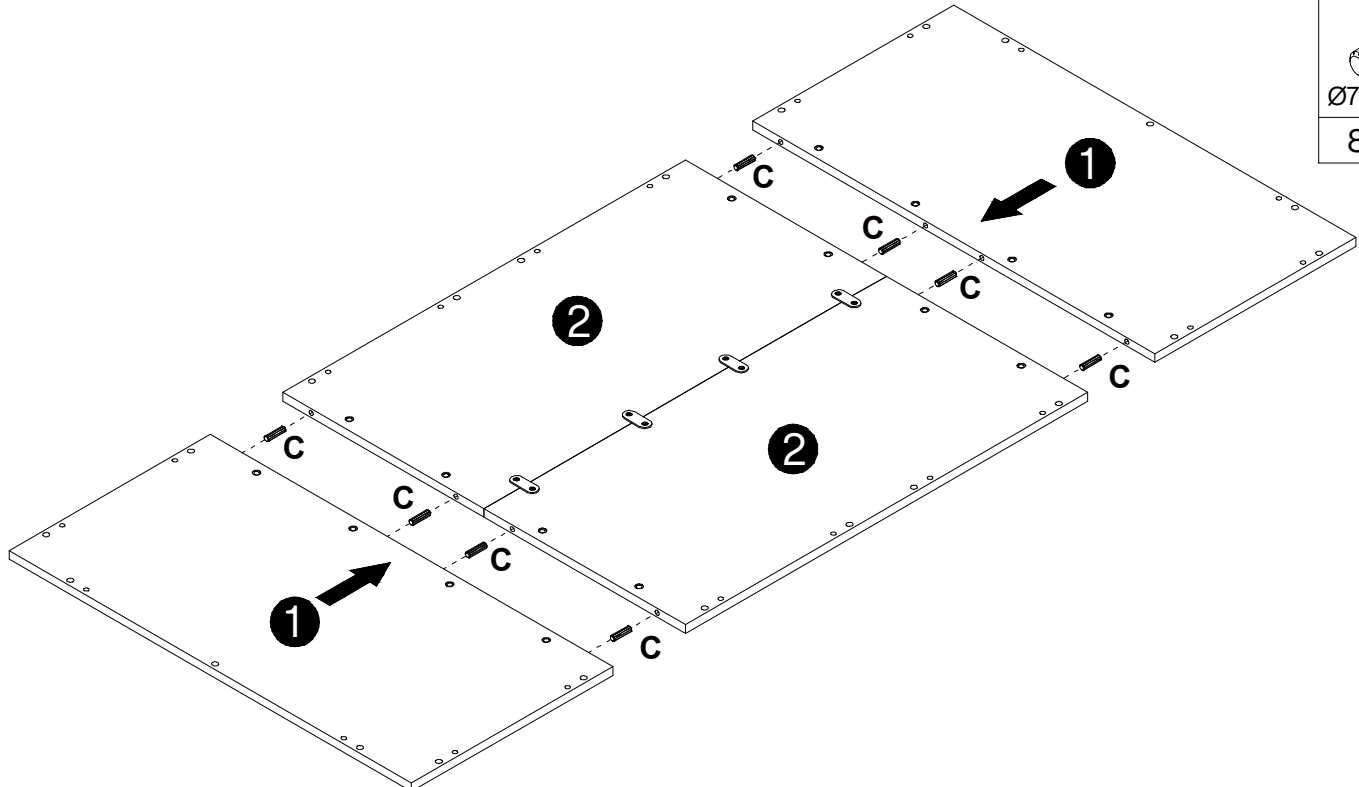
21

D	E
	
47x16x2mm	Ø3.5x14mm
4 pcs	8 pcs

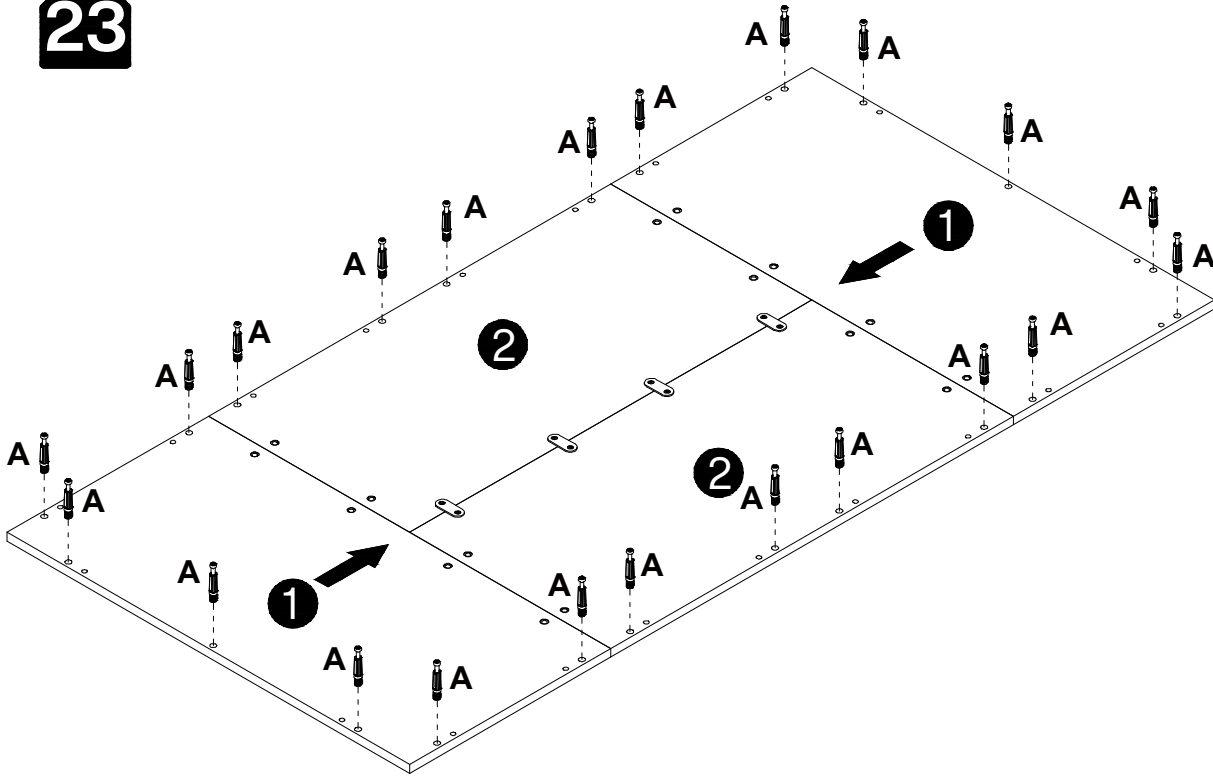



22

C

Ø7.8x30mm
8 pcs

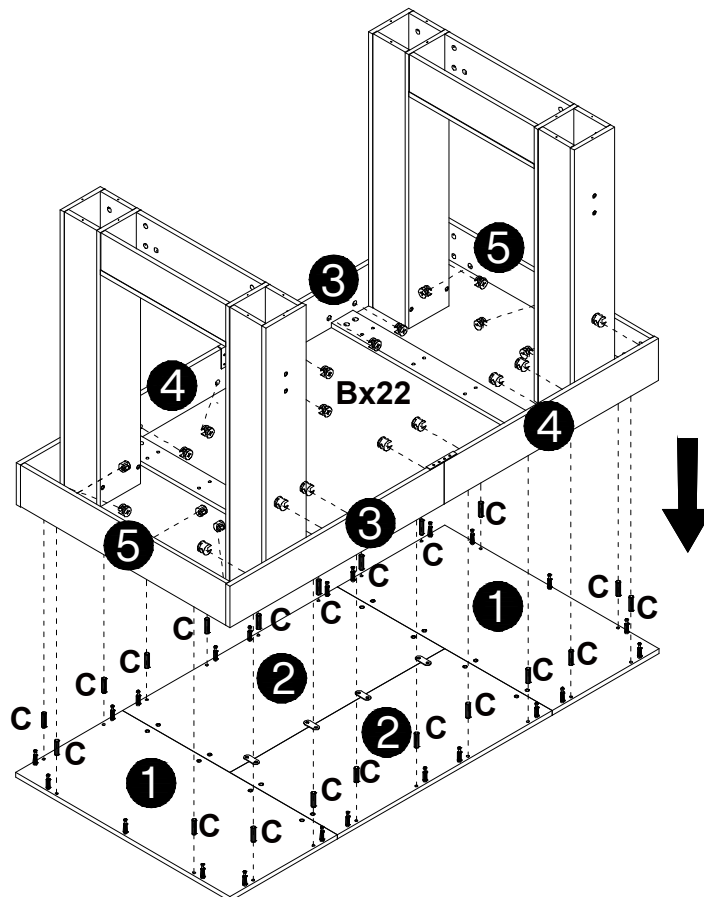




23



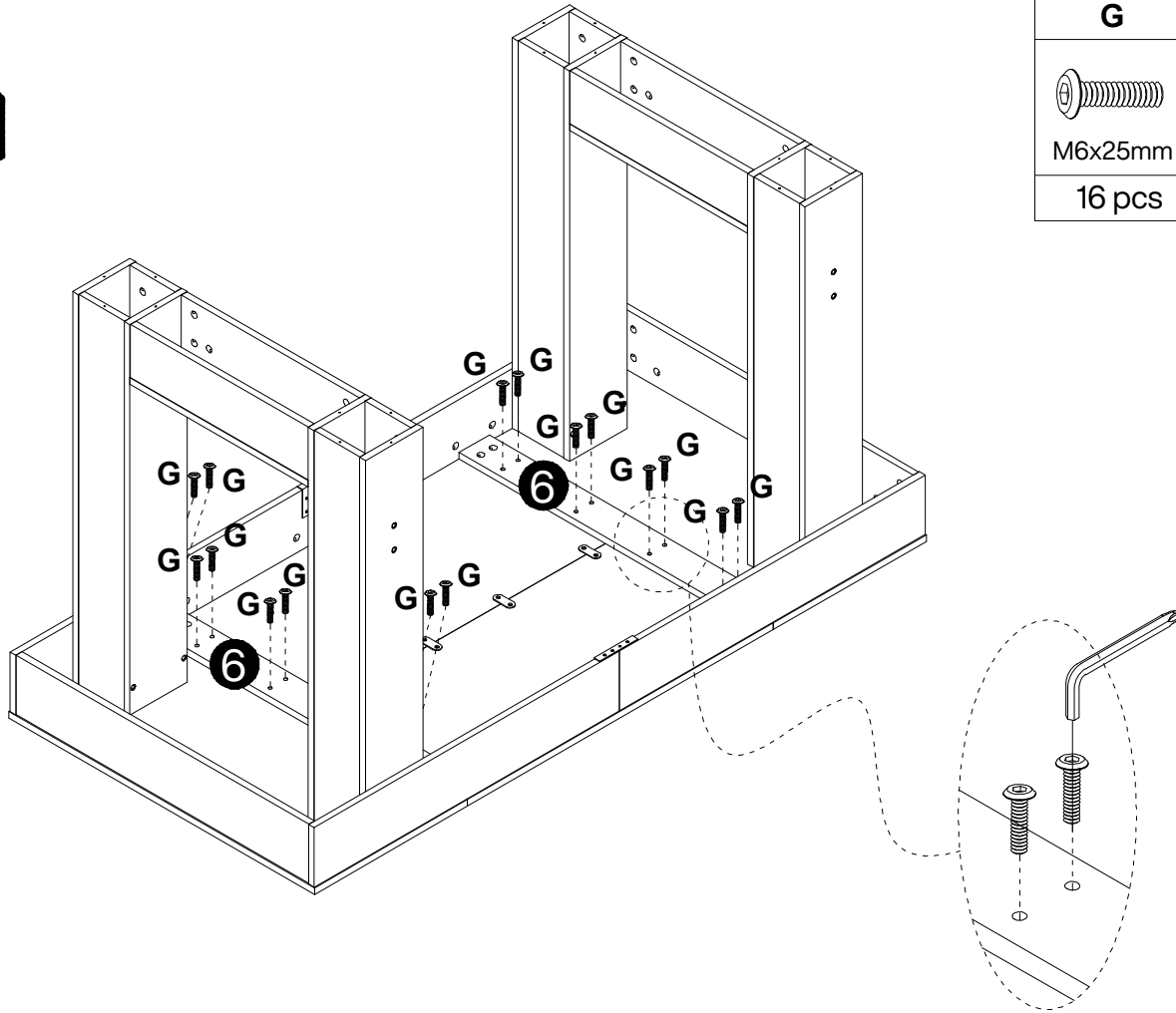
<b>A</b>

Ø6x40mm
22 pcs



24



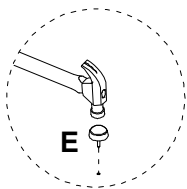
<b>B</b>	<b>C</b>
	
Ø15x12mm	Ø7.8x30mm
22 pcs	20 pcs

25

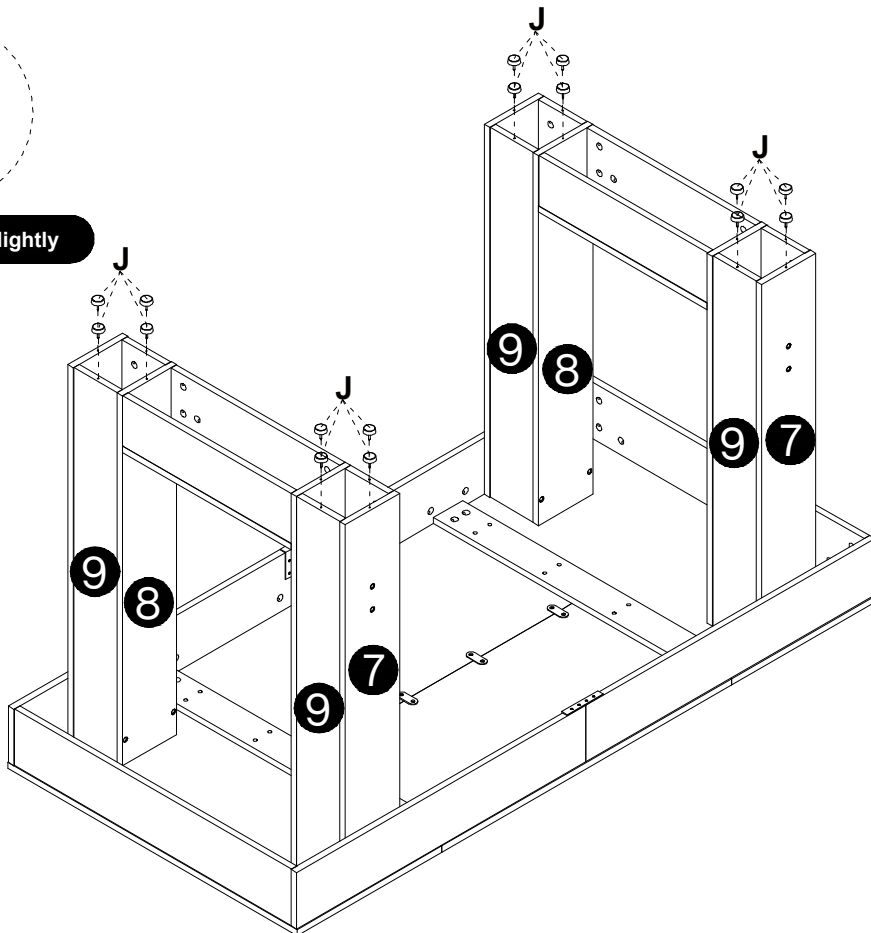



<b>G</b>	<b>I</b>
	
M6x25mm	M4
16 pcs	1 pc

26

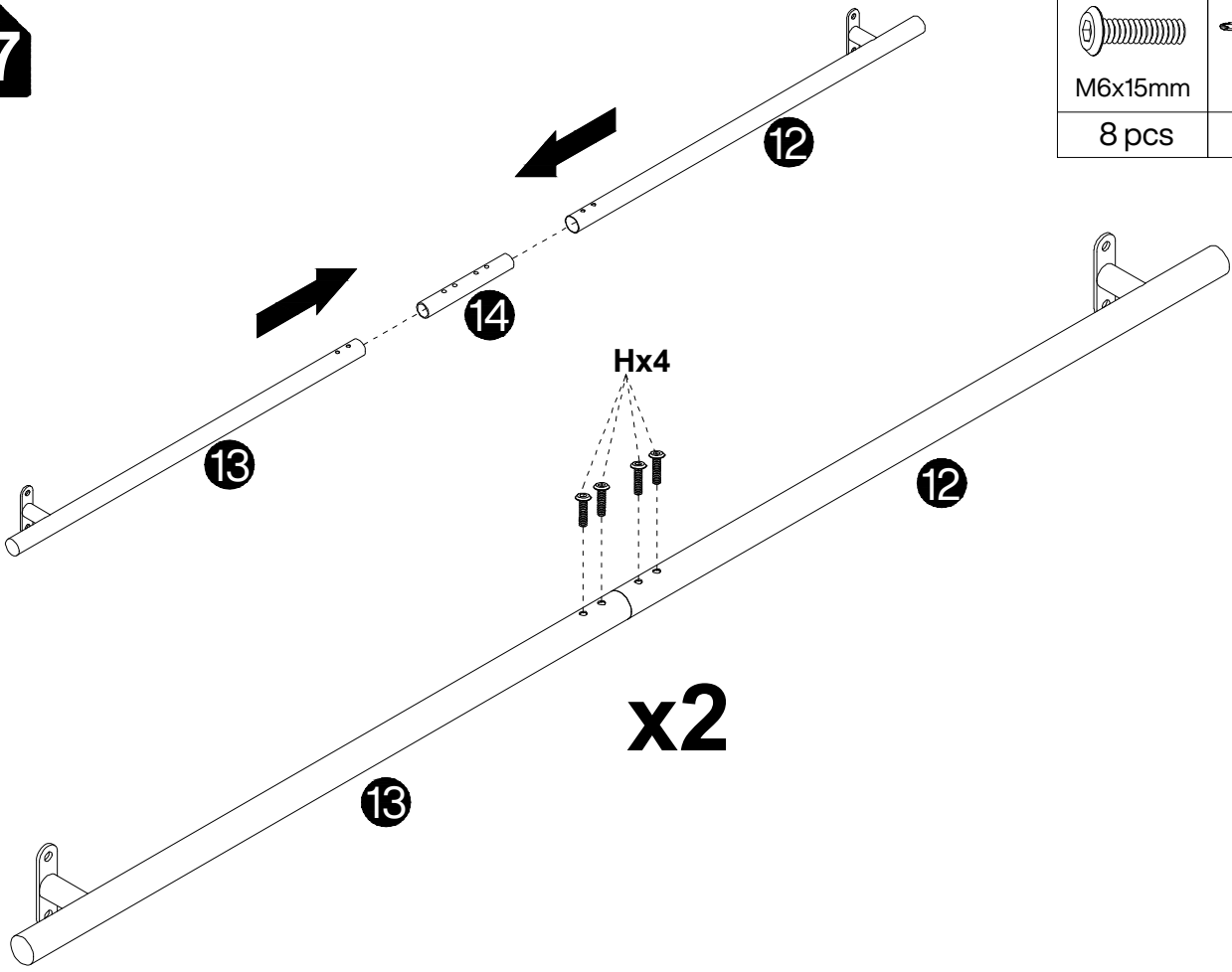




**Caution! Tap lightly**



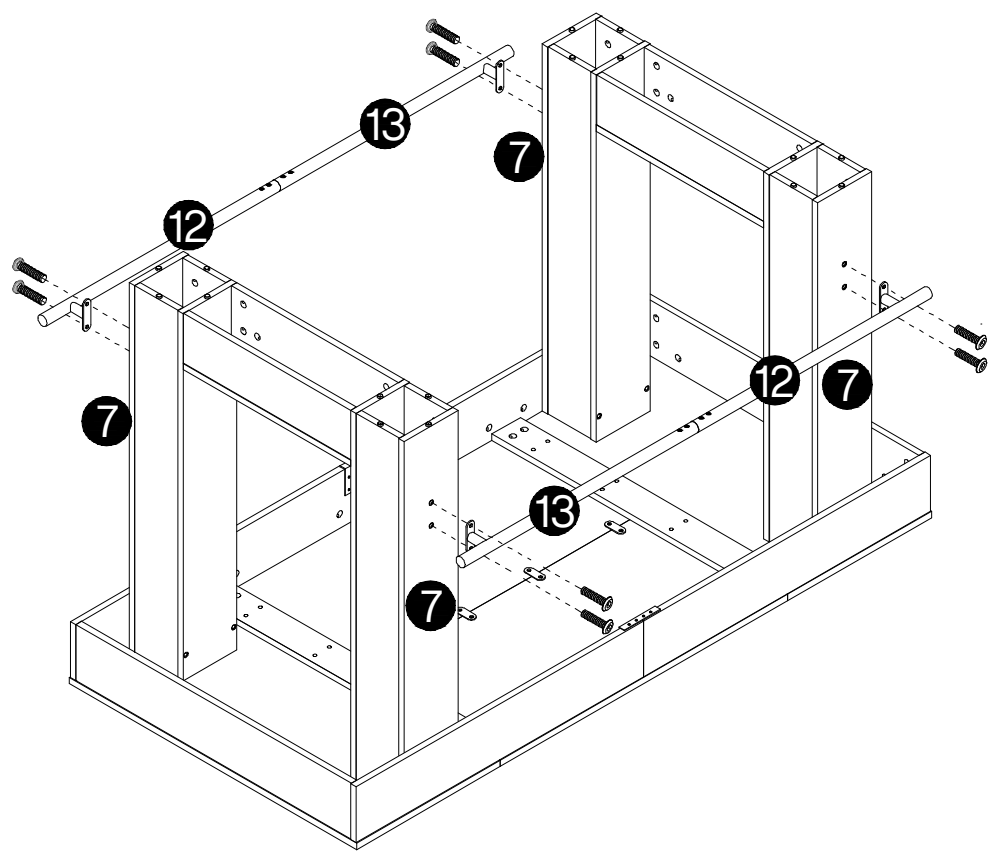
<b>J</b>

Ø14x4mm
16 pcs


27



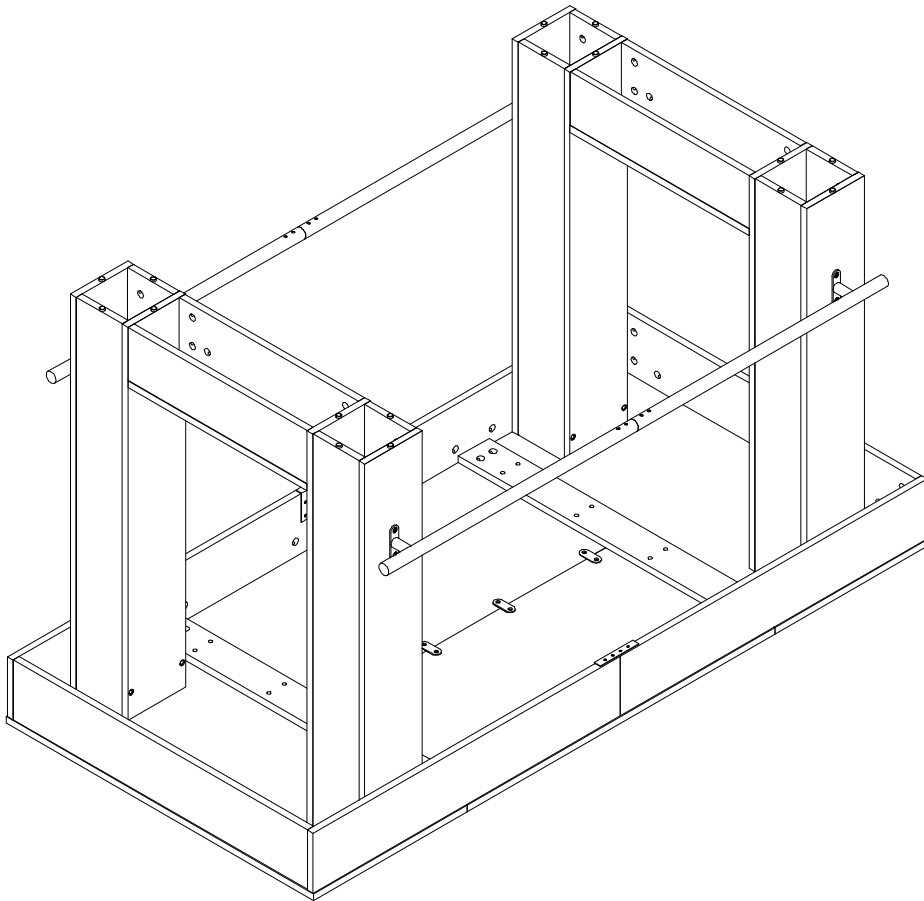
H	I
 M6x15mm	 M4
8 pcs	1 pc

28

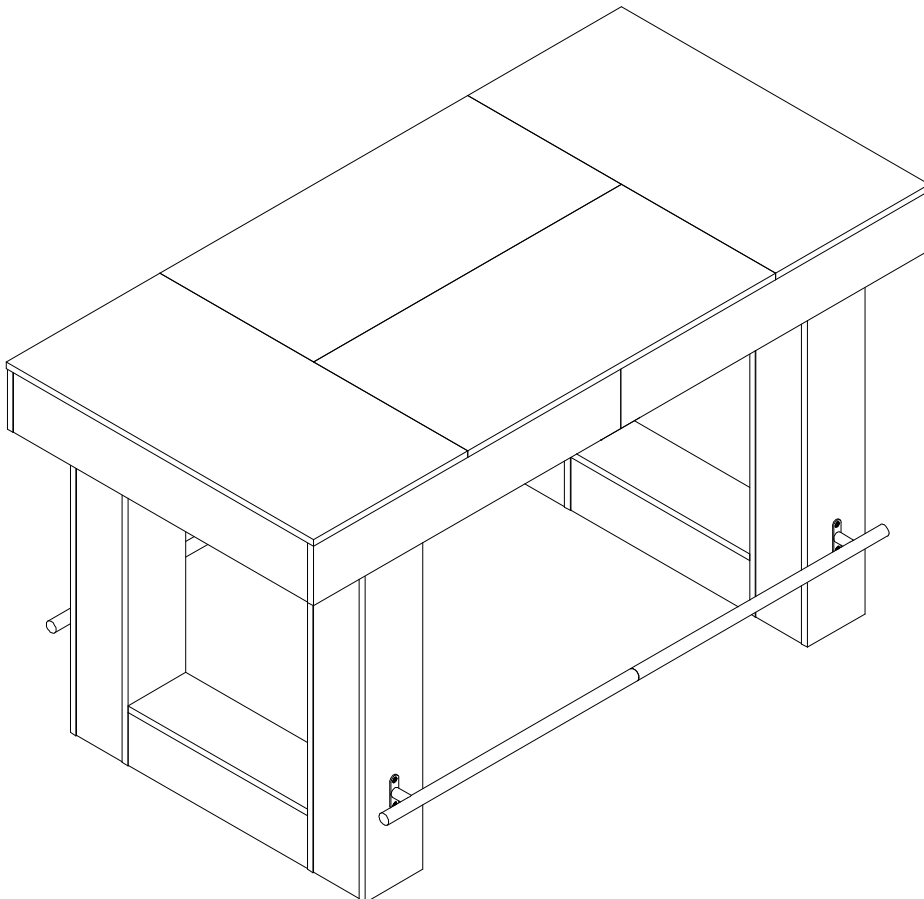


H
 M6x15mm
8 pcs

29



Rotate 180°



**Thank you for your support!**

