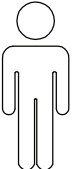
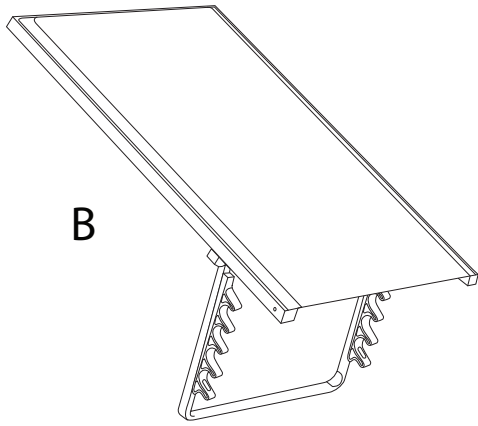
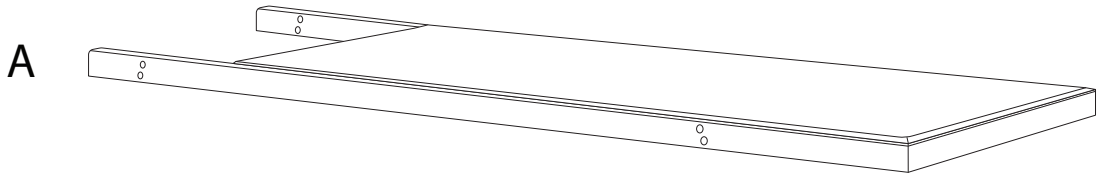
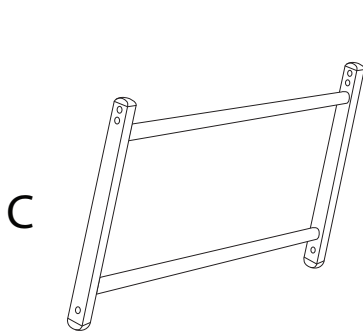
	<p>30'</p>
		
		<p>1</p>



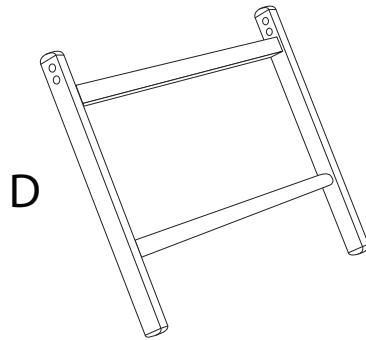
B



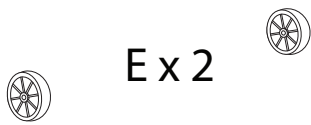
A



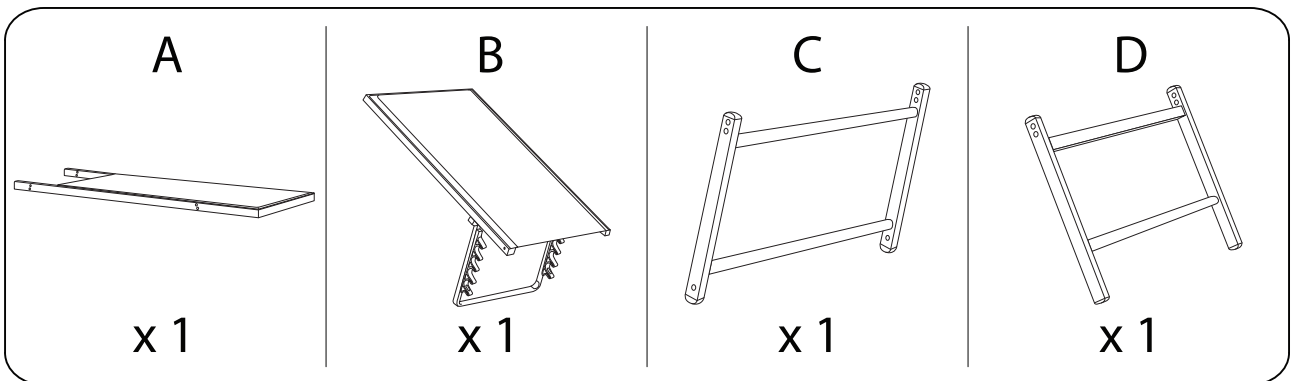
C



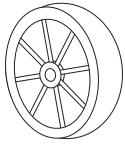
D



E x 2

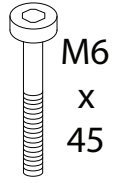


E



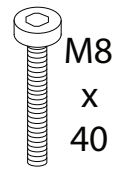
x 2

F



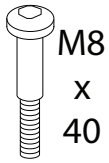
x 2

G



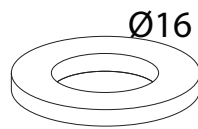
x 8

H



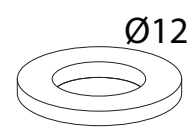
x 2

I



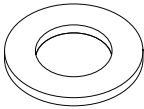
x 8

J



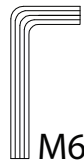
x 2

K



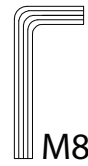
x 2

L



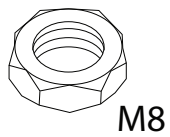
x 1

M



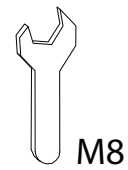
x 1

O



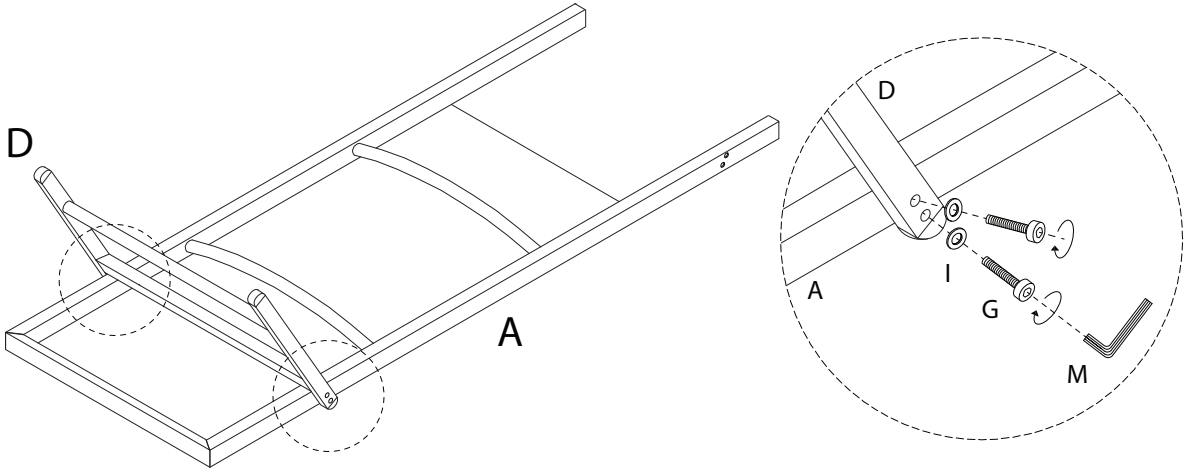
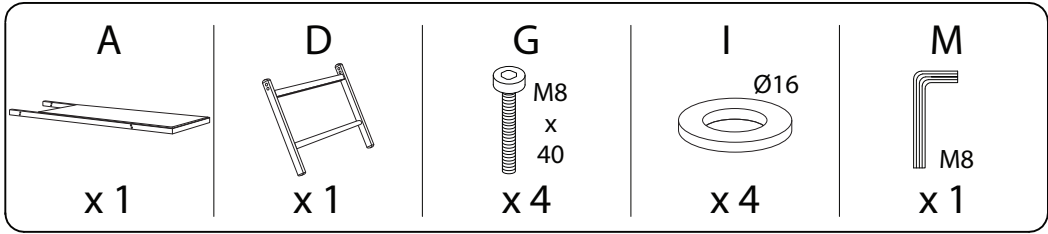
x 2

P

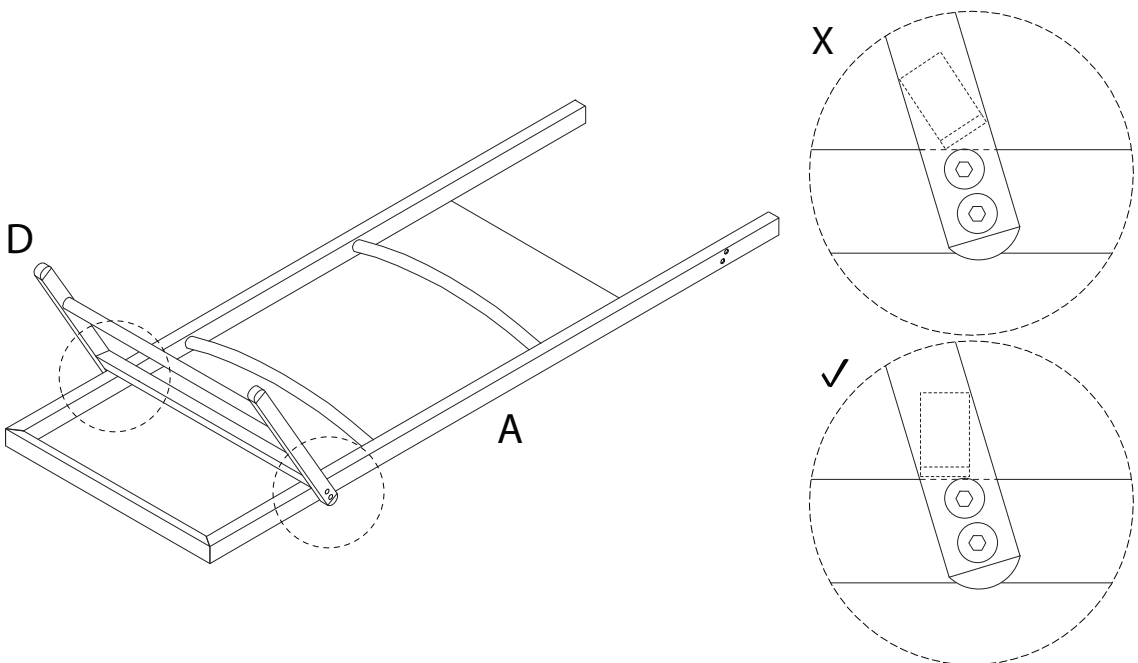


x 1

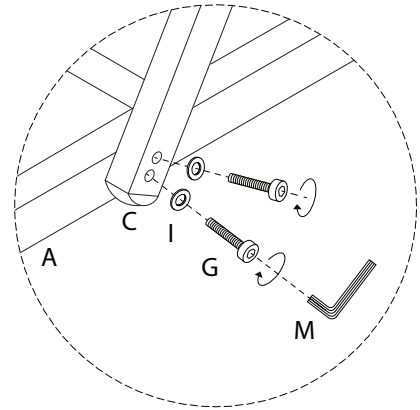
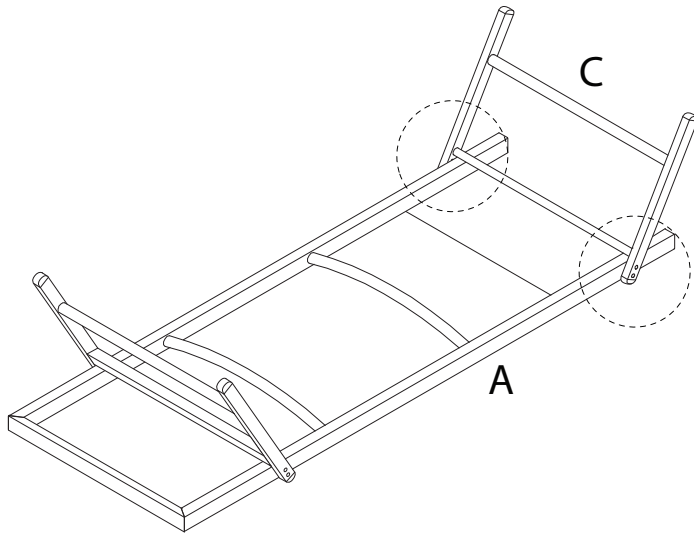
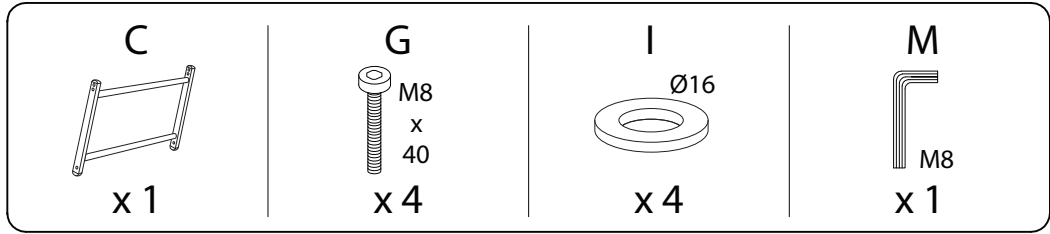
1



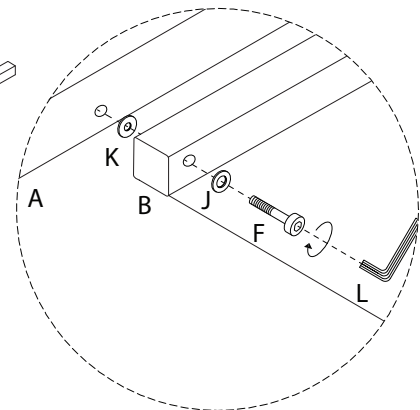
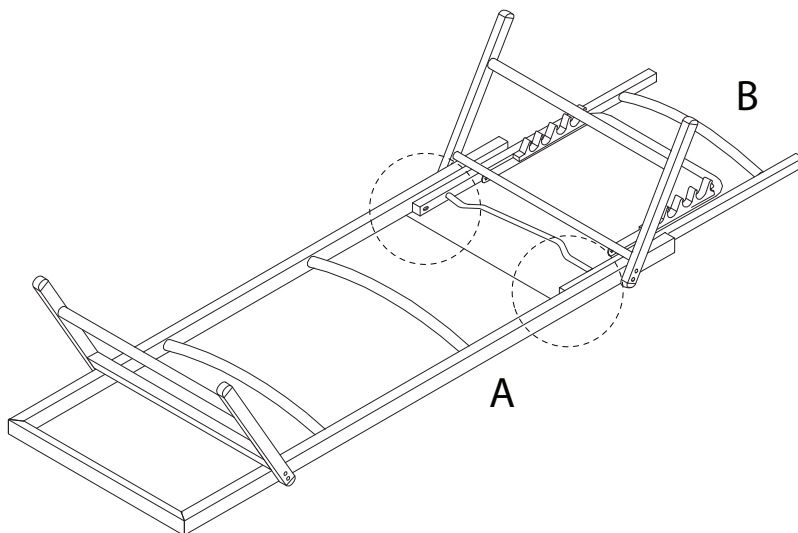
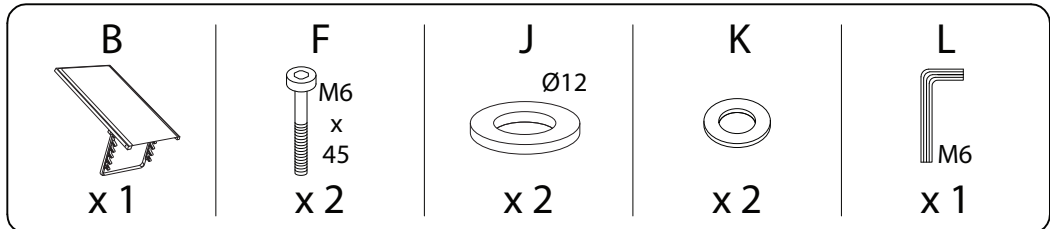
!



2

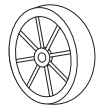


3



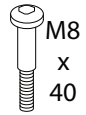
4

E



x 2

H



x 2

M



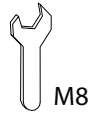
x 1

O



x 2

P



x 1

