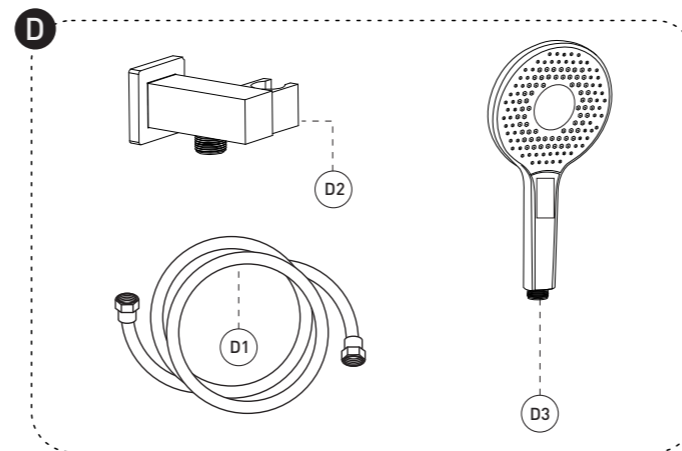
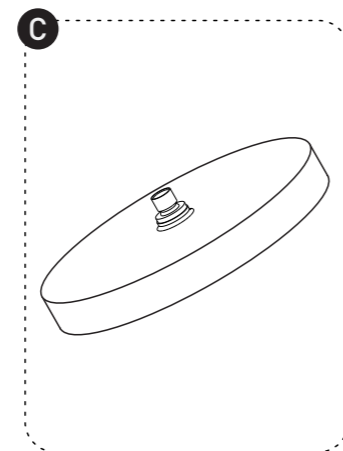
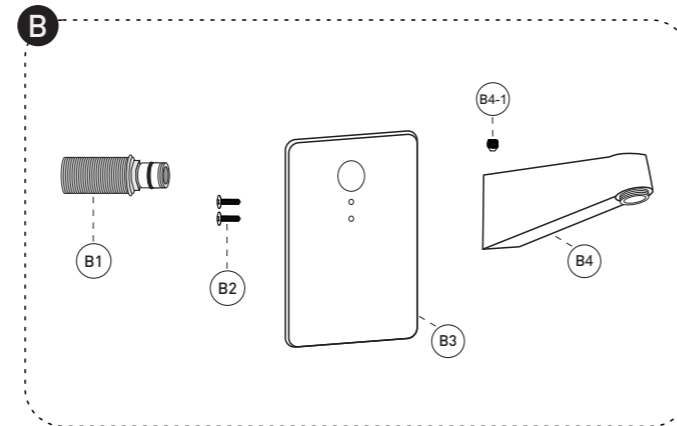
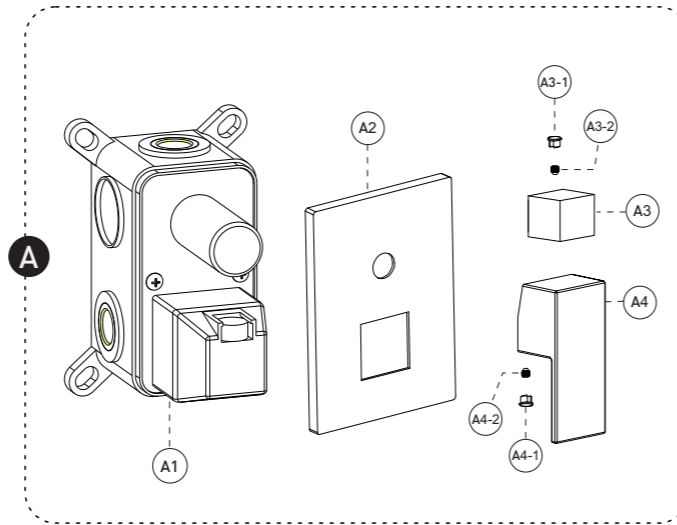
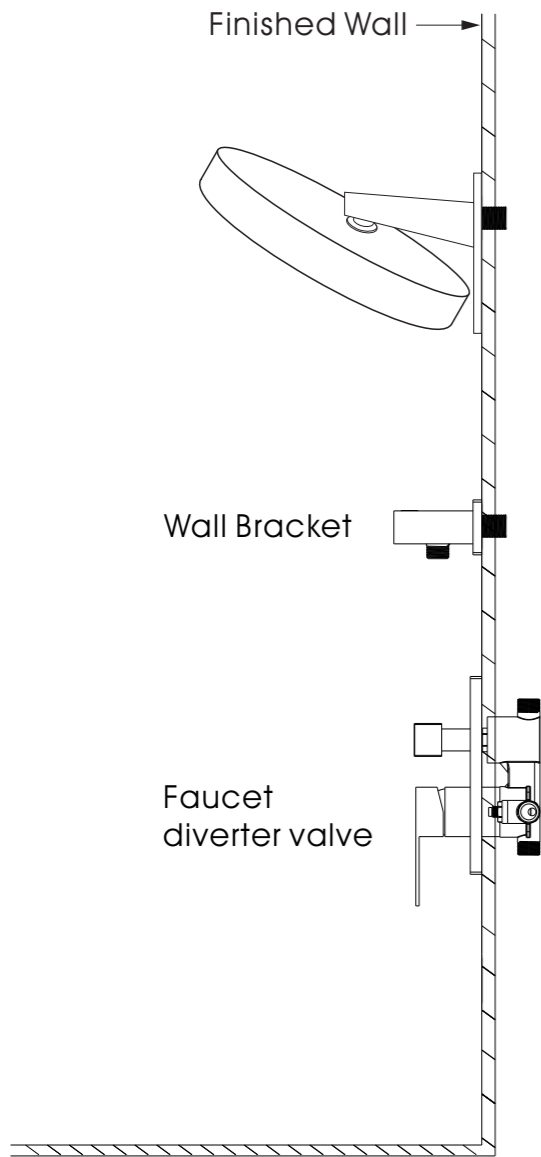


PRODUCT DRAWING



No.	Description
A	Pressure balanced diverter valve
A1	Valve
A2	Face plate with sealjoint
A3	Diverter knob kit
A3-1	Trim cap (A-3 included)
A3-2	Allen screw (A-3 included)
A4	Shower valve handle
A4-1	Trim cap (A-4 included)
A4-2	Allen screw (A-4 included)
B	Shower arm and Face plate
B1	Connectors
B2	screw
B3	Face plate
B4	Shower arm
B4-1	Allen screw (B4 included)
C	Shower head
D	Handheld Shower Kit with Flexible Hose
D1	Flexible hose
D2	Wall Bracket
D3	Handheld Shower
For Repair And Warranty (Spare Parts)	
For Installation (Spare Parts)	



SHOWER SYSTEM FAUCET

Installation instruction



MB/BN/BG/CH/ORB

CARE INSTRUCTIONS

Rinse the product with clear water. Dry the product with a soft cloth.

DO NOT:

Use abrasive cleansers, cloths, or paper towels. Use any cleaning agents containing acid, polish, wax, alcohol, ammonia, bleach, solvent or any other corrosive or harsh chemical cleansers.

INSTALLATION STEPS

! IMPORTANT

We recommend using a professional plumber for all installation and repair. Please inform yourself about the Canadian plumbing code's regulations and your local municipality plumbing codes before installation. The Canadian plumbing code requires the installation of surge arresting devices to eliminate water hammering. Allow an adequate opening in order to easily access connections or other plumbing devices for maintenance or repair.

RECOMMENDED TOOLS

Plumber's putty
Thread seal tape
Included



* Apply plumber's putty under the plastic cover plate to seal your installation. Appliquez du mastic pour plombier sous la sous-plaque de plastique pour rendre votre installation étanche.

The model shown in the installation steps may differ from the one in box however connection type and installation steps are the same.

CONNECTION ADVICE

