

---

## Brief Introduction

2. Please read the operation manual carefully and install the product according to the operation steps before use.
3. The drawings in the text only provide installation instructions and do not represent all details of the product.
4. Please contact the seller if you have any questions or suggestions during the installation process.
5. \_\_\_\_\_ reserves the copyright and interpretation right of the product and operation manual.

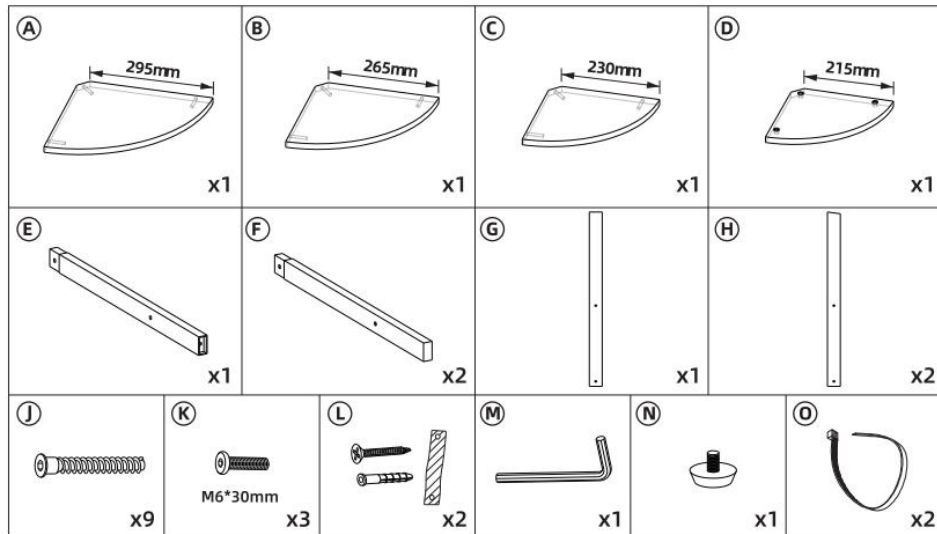
## Attention

1. The product is for indoor use only, and the Seller shall not be liable for any damage caused by improper assembly or use.
2. Keep away from heat, direct sunlight and humid environment, and put in dry places to avoid peeling or fading.
3. If there are defects or missing parts after opening the package, please contact the seller immediately.
4. During the assembly process, first tighten the screws halfway, then tighten all the screws after the whole structure is completely fixed.
5. Please check the tightness of screws regularly to prevent potential dumping hazard caused by theirs loosening.
6. Adjustable legs are designed to maintain the stability, whose heights can be adjusted flexibly according to the specific conditions of the ground.
7. Clean with soft cloth and neutral detergent, then wipe dry. Do not use abrasives to wipe up.

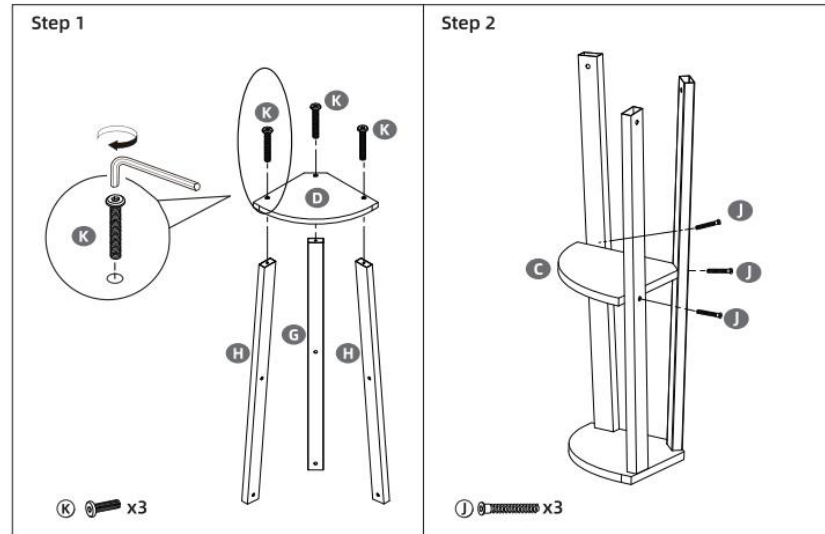
## Warning

1. Keep small parts and accessories out of reach of children during the assembly process, which can be fatal if swallowed or inhaled.
2. Do not allow children to climb or play around the product to avoid physical injury caused by dumping.
3. To avoid potential hazards, please keep all parts and accessories, as well as the packaging (film, plastic bags, foam, etc.) away from infants and children.
4. Keep away from sharp or corrosive articles to avoid potential product damage or personal injury.

# INSTRUCTION

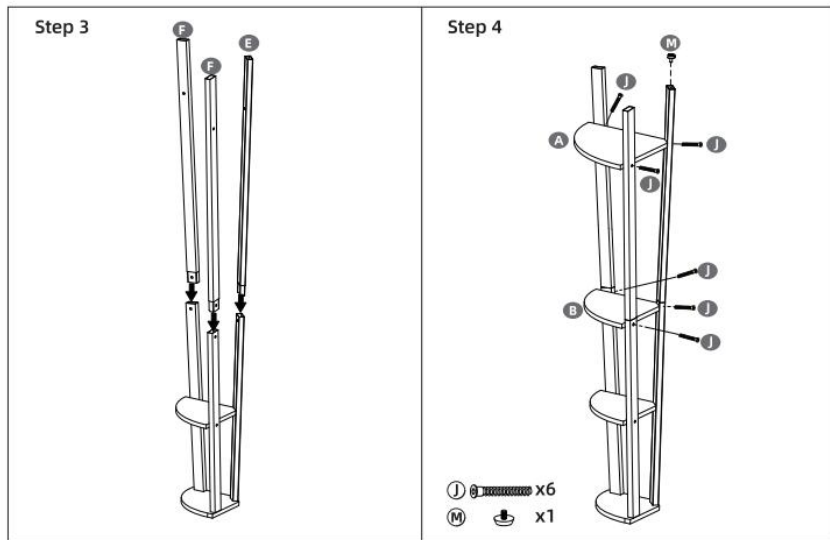


# INSTRUCTION



During assembly, align all the screws with the corresponding pre-drilled holes first and then tighten the screws one by one.

## INSTRUCTION



After assembly, please check all screws and adjust the leg leveler to ensure.

## INSTRUCTION

