

INSTALLATION

Product Manual

Version: 210310-02-24A-ZD



IMPORTANT INFORMATION!

please read the entire manual before starting to assemble and/or using this product. follow the manual thoroughly and keep it for further reference.



AVOID SCRATCHES!

In order to avoid scratching this furniture should be assembled on a soft layer- could be a rug.



IMPROVE EFFICIENCY !

Try to find a partner to install with you, which can speed up the installation efficiency and shorten the time.



ANTI-TOPPLE WARNING !

Overturnd furniture can cause serious or fatal crush injuries. To prevent tipping over, be sure to use the wall attachment, if not included with this product. Please purchase the wall attachment that fit your wall. If unsure, seek professional advice. Please read and follow each step of the instructions carefully.

IMPORTANT !

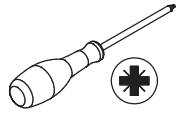
It is important that any product which is assembled using any kind of screw is re-tightened 2 weeks after assembly, and once every 3 months - in order to assure stability through-out the lifespan of the product.

For regular maintenance and cleaning of the product, for the frame, please use a rag dipped in neutral detergent to fully wipe it, and then dry it with a clean rag. For glass materials, wipe with a rag dampened with water glass cleaner, and then dry with a dry rag.

Do not use an electric screwdriver, and do not use too much force when installing, because the board is easy to break.

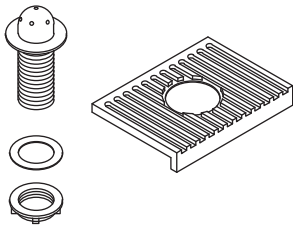


Please prepare the following tools

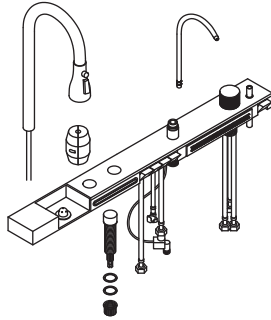


When installing, please carefully confirm whether each screw corresponds to the manual, accessories with similar shapes can be distinguished by size

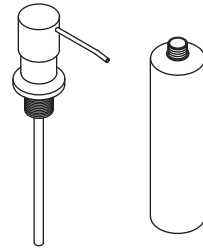
A x 1



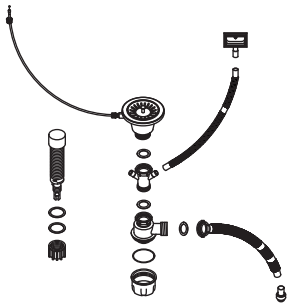
B x 1



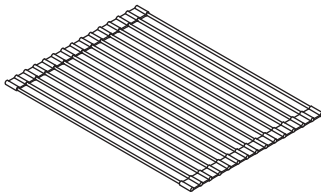
C x 1



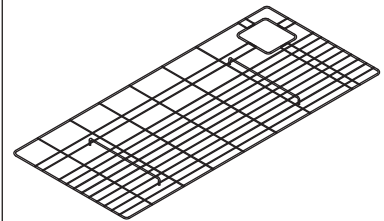
D x 1



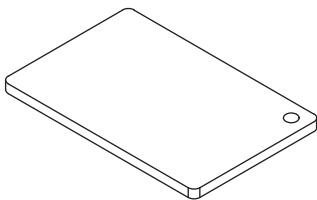
E x 1



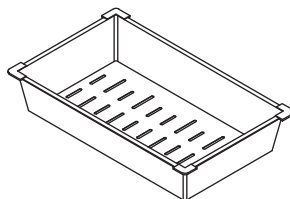
F x 1



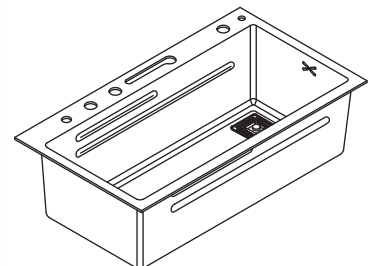
G x 1

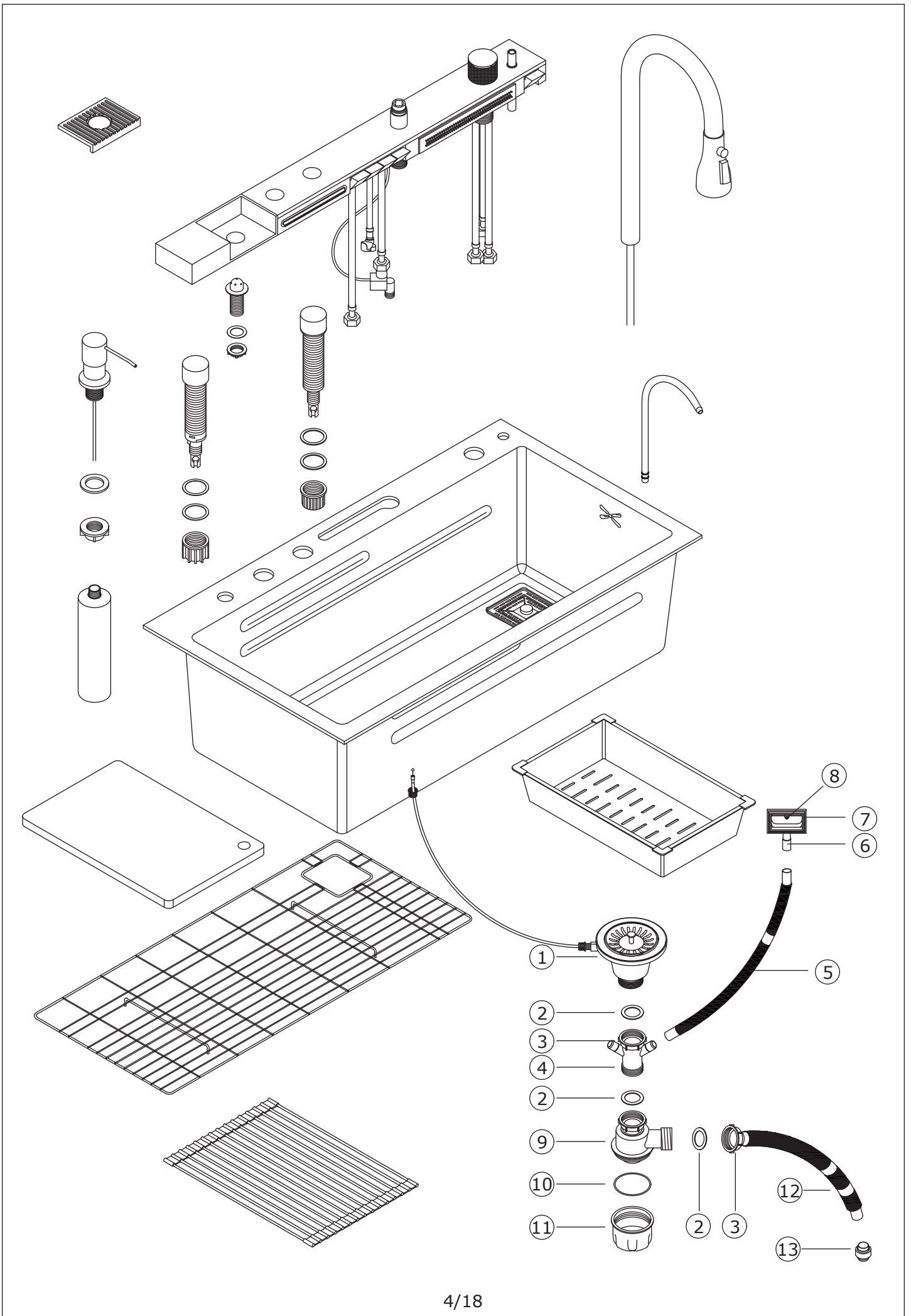


H x 1

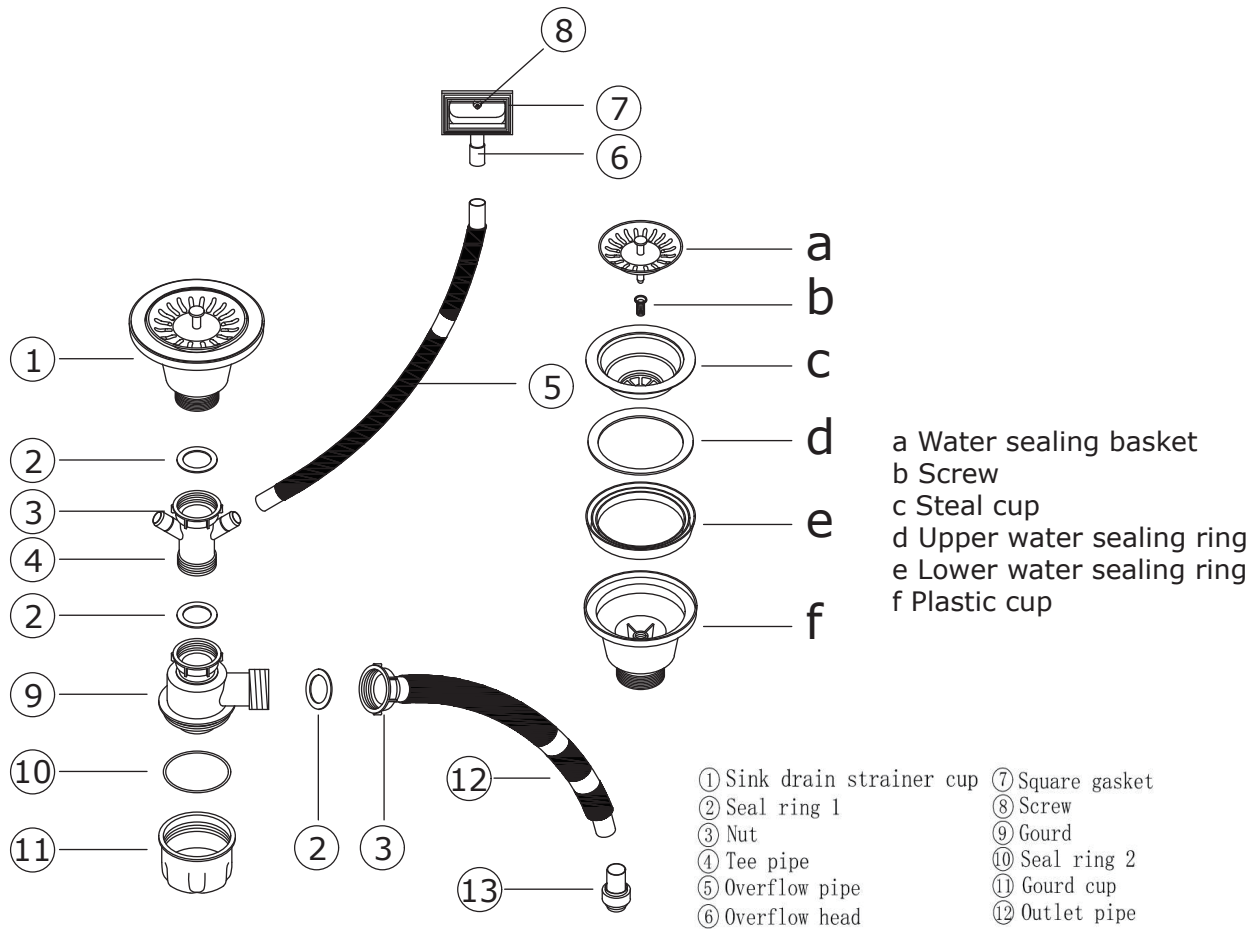


J x 1





Product installation diagram



Please check each accessory before installing the product, and then follow the installation schematic step by step.

EN

1 Introduction

Conformance

This product conforms to EC Regulation 1935/2004 on materials and articles intended to come into contact with food.

2 Warnings and personal safety

Care and use of kitchen sinks

• "Do's"

- Clean the sink everyday by thoroughly rinsing with a mild soap and warm water then wipe it dry.
- Rub lightly with a soft cloth in the direction of the grain lines on a regular basis for additional preventive cleaning.
- Keep the sink free of any standing water as this can cause a buildup of mineral deposits, which can affect the appearance of your sink.
- Any stubborn stains should be removed by scrubbing in the direction of the grain using a mild abrasive such as Comet. Always rinse the sink thoroughly after using any cleaning agent and wipe it dry.
- Clean any mineral deposits built-up with a mild solution of vinegar and water followed by a thorough flushing with water.
- Remove any scratches with a Scotch-Brite pad and cleaning agent rubbing in the direction of the grain. NOT RECOMMENDED FOR MIRROR FINISH.

• "Don'ts"

- Do not allow food or beverage residue as well as metal canned products to remain on the sink surface.
- Do not leave pots, steel cookware, or utensils in the sink for a lengthy period; iron particles often develop rust spots in the stainless steel surface.
- Do not use a steel wool or scouring pad as it damages the sink surface and causes discoloration.
- Do not set hot pans or other kitchen products directly in the sink.
- Never leave rubber mats, sponges, or cleaning pads in the sink overnight as this will trap water and could stain and discolor the sink surface.
- Do not use any drain cleaning products containing sulfuric or hydrochloric acid as this will damage the sink. Silver cleaners can also contain acids that could damage the sink surface.
- Never let the sink come into contact with water containing heavy metals which can make its color fade or get it rusty.
- Never use the inside of the sink as a cutting surface.

3 Installation instructions

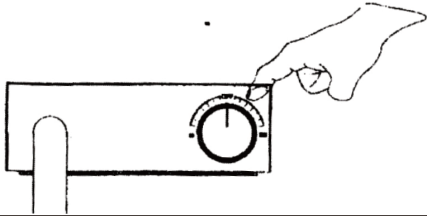
Remarks: While installing, please apply sealant or adhesive tape on the screw thread in case of leaks.

4 Maintenance and cleaning

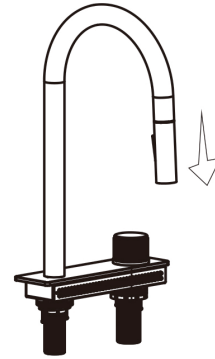
After use, please clean the product by rubbing the stainless surface with a clean, damp cloth and wipe it dry. Avoid fluoride from household products, bleach, food, silver cleaning materials, sulfur, and hydrochloric acid cleaning products which may cause potential corrosion damage on the sink.

Use Strategy

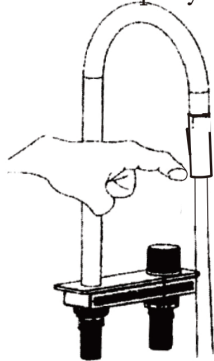
- . Handwheel switch, turn right cold water-mixed water-hotwater, return to the middle of the closed;
- . Handwheel to the left turn cold water-mixed water-hot water, return to the middle off.



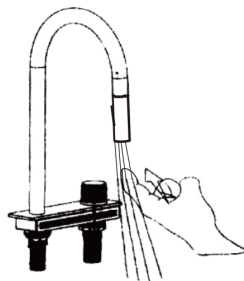
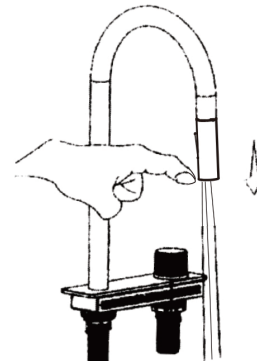
- . Draw head free draw



- . Press to switch the shower spray



- . Press the bubbles out of the water



Faucet maintenance:

1. Turn on the faucet and rub the nozzle to remove impurities.



2. When there are impurities to make water flow small, remove the head of the shower frother, cleaning blistering. Just put it back on.

Check for installation results

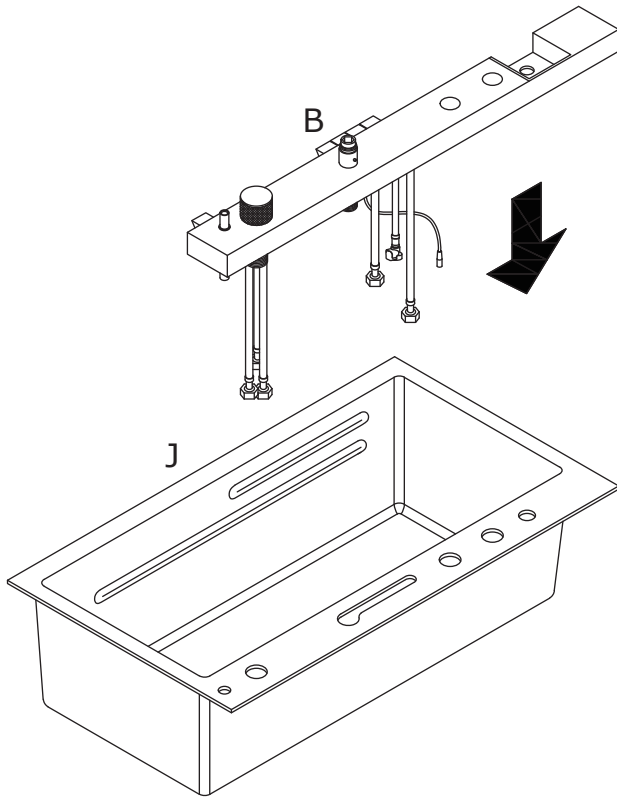
Check and make sure all joints are tight and the handwheel is in the closed position. Open the main water and drainage system. Inspect and repair leaky connections.

Cleaning instructions

Apply to all processed surfaces; clean the coated surface with neutral soapy water, then thoroughly wipe the entire surface with a clean soft cloth, many detergents, such as ammonia, detergent and toilet cleaner, etc., will cause damage to the plating surface, do not use.

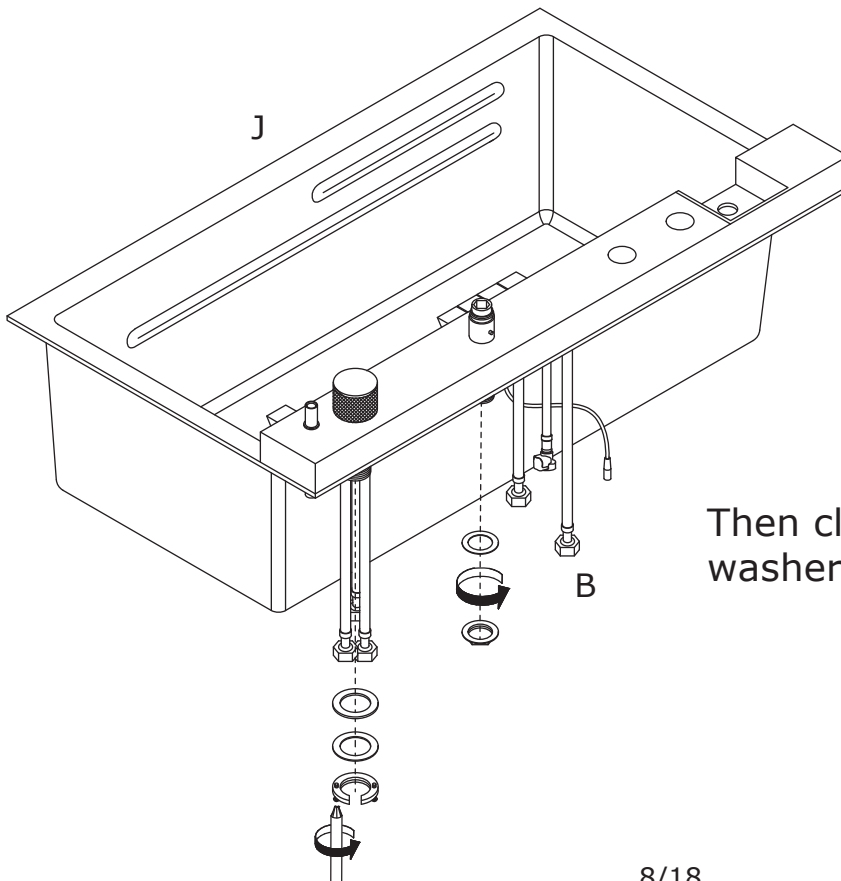
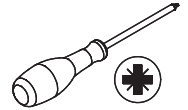
Abrasive cleaning appliances or detergents should not be used with faucets and their accessories.

1



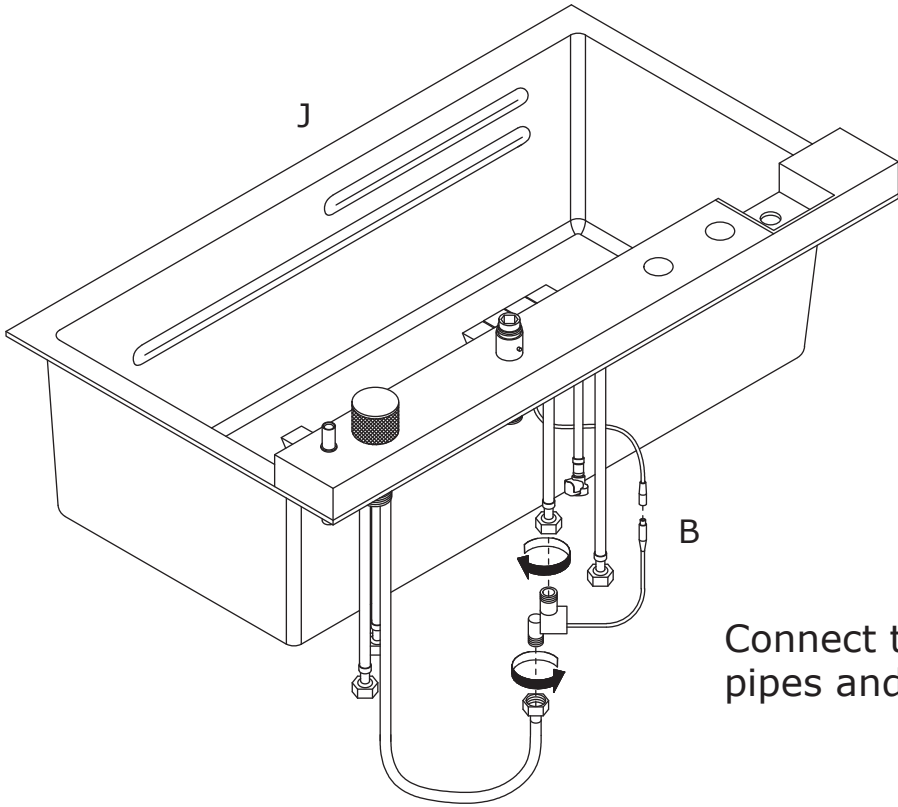
Loosen the washers and nuts of the pipes under the console. Then insert it into the appropriate holes in the sink

2



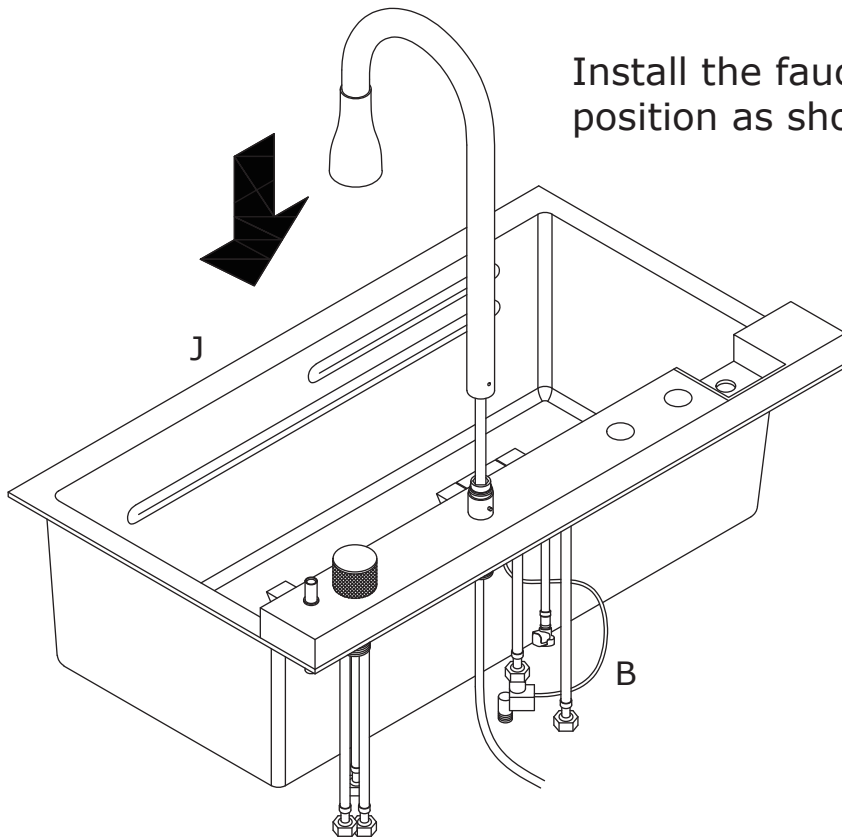
Then clockwise to re-tighten the washers and nuts.

3



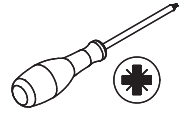
Connect the capacitor to the two pipes and interface as shown.

4

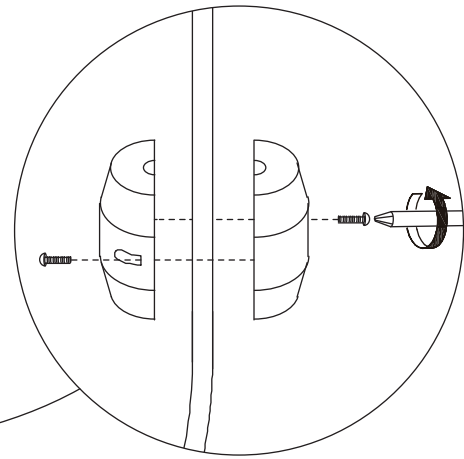
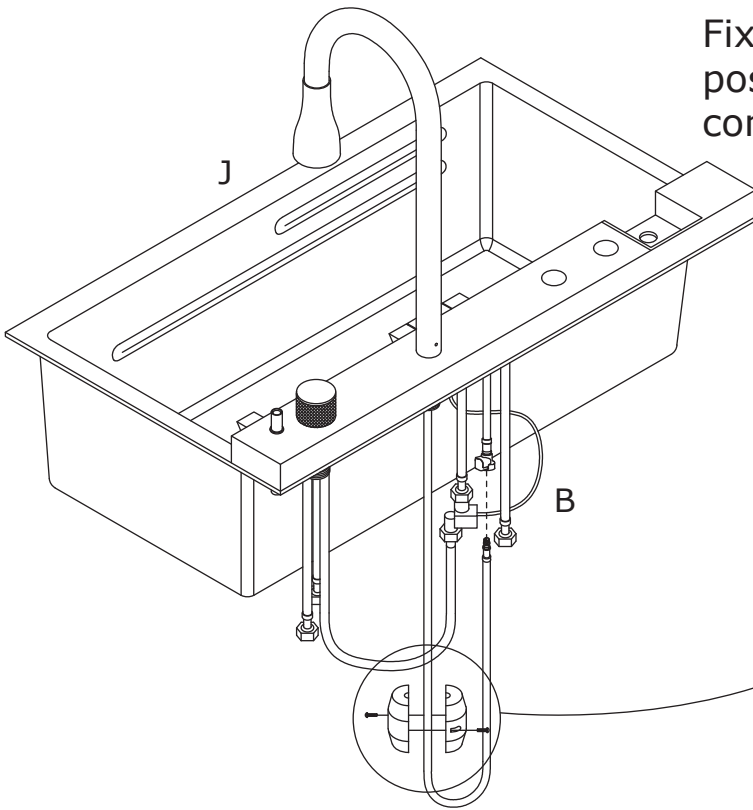


Install the faucet in the corresponding position as shown.

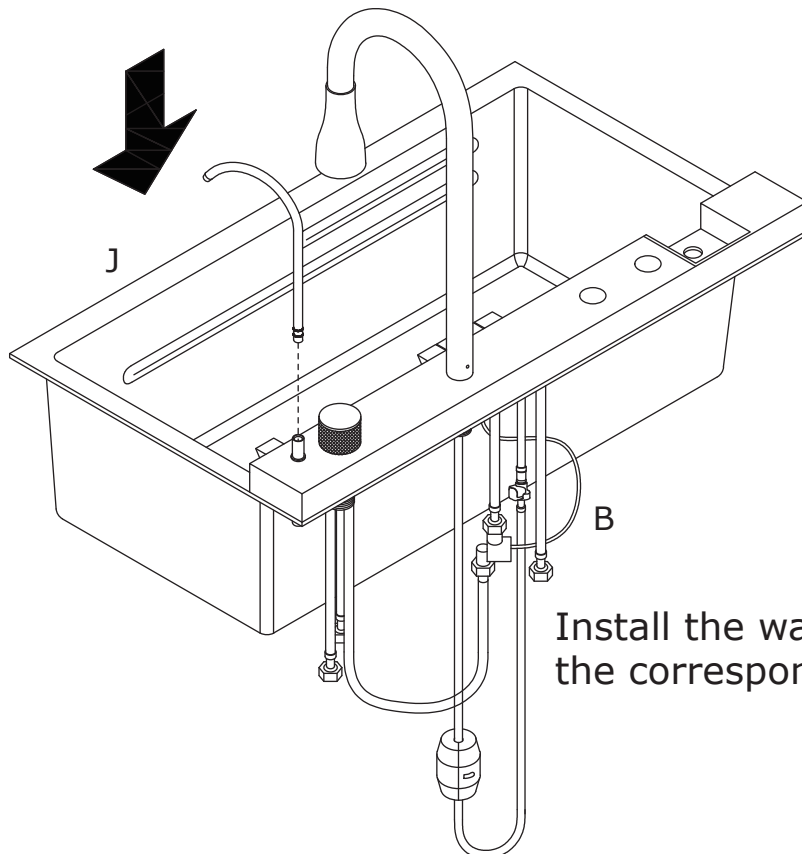
5



Fix the gravity ball to the proper position of the pipe, and then connect the two pipes as shown.

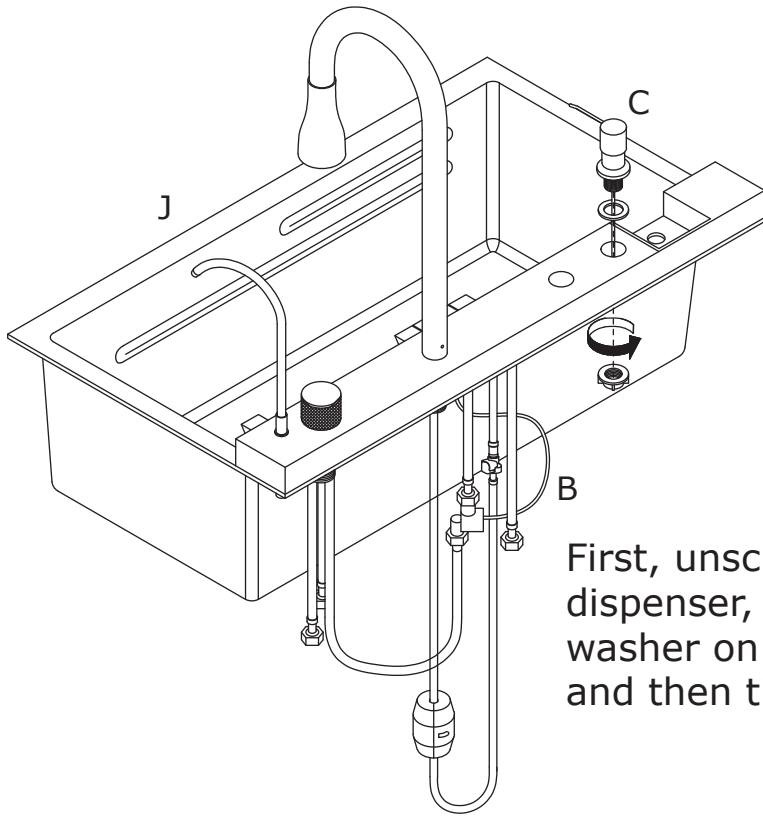


6



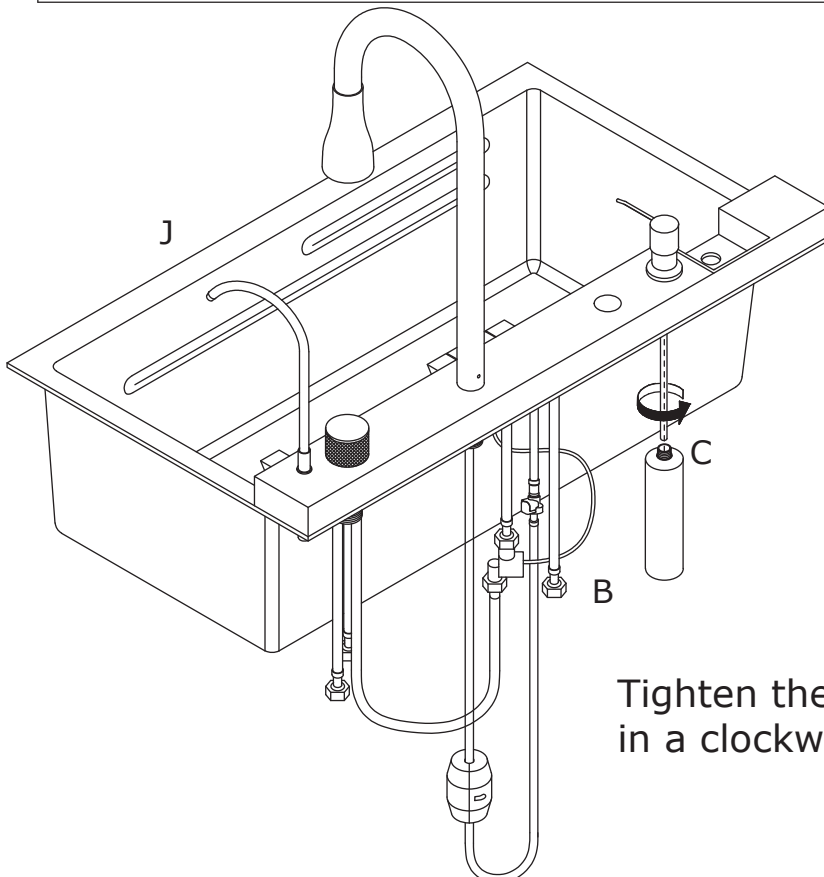
Install the water purifier faucet in the corresponding position as shown.

7



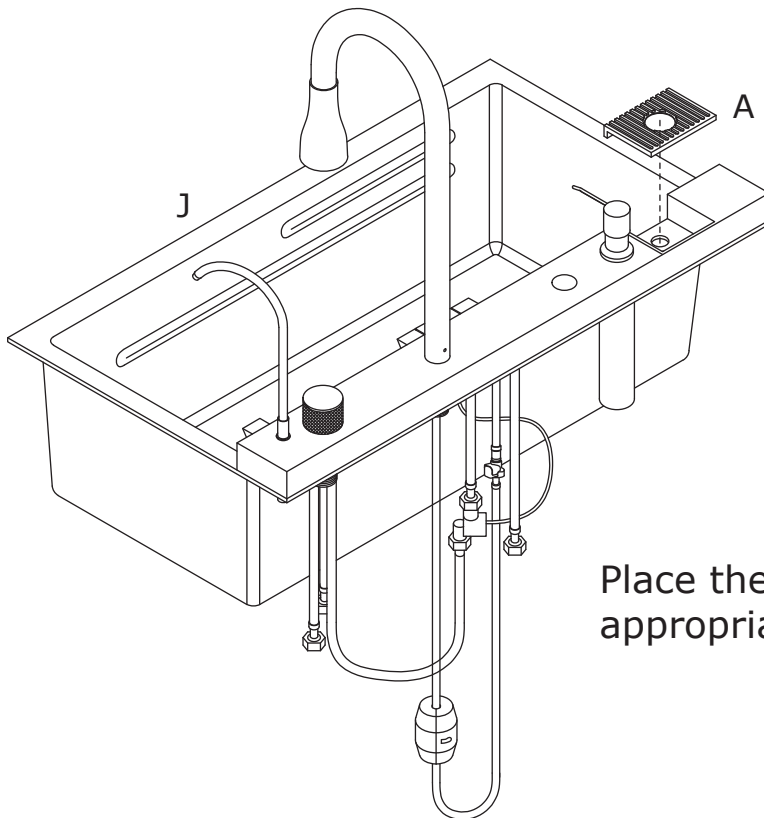
First, unscrew the nut from the soap dispenser, place the pump head and washer on the corresponding hole, and then tighten it clockwise as shown.

8



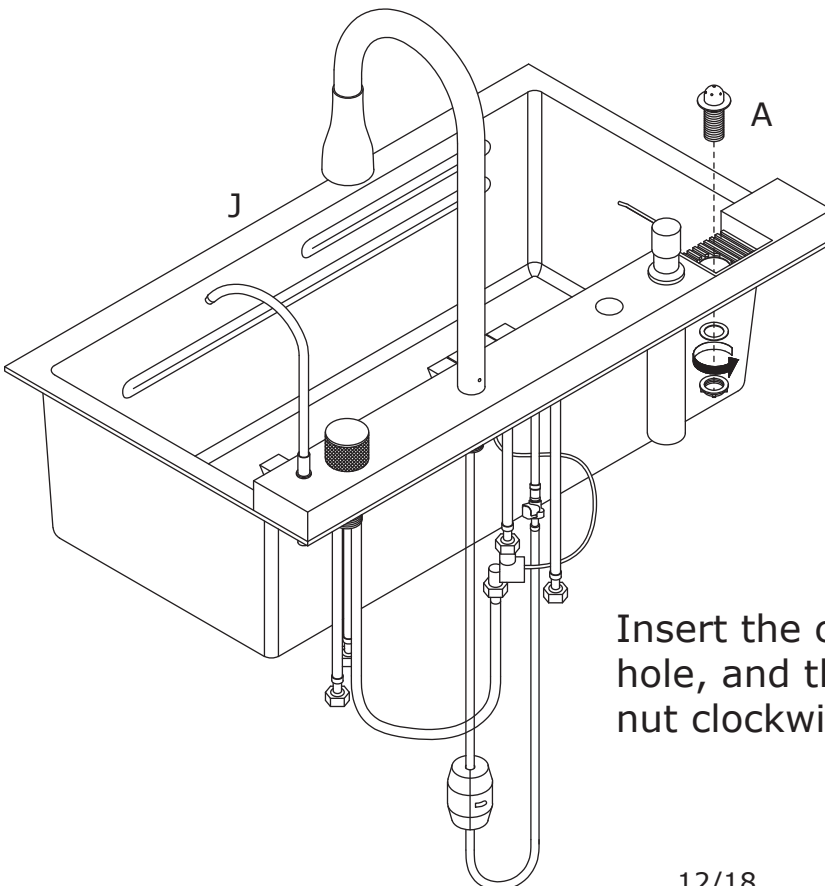
Tighten the soap dispenser bottle in a clockwise direction.

9



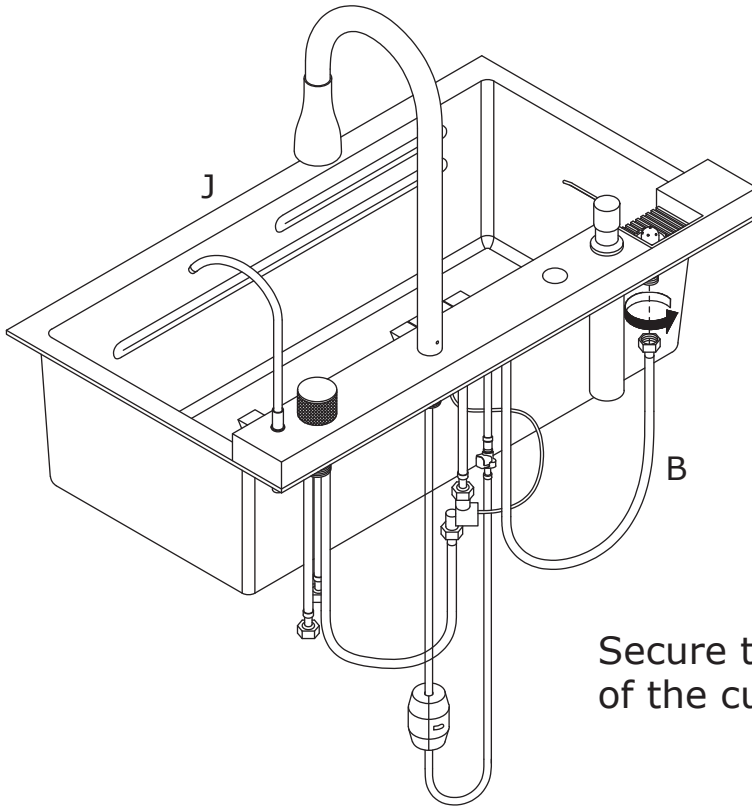
Place the rubber pad in the appropriate position.

10



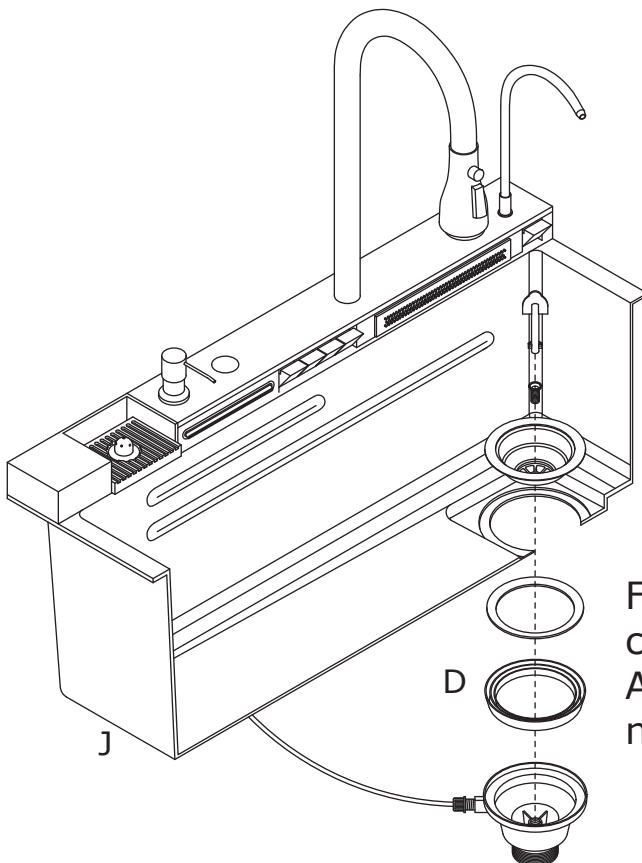
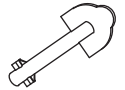
Insert the cup rinser into the specified hole, and then tighten the washer and nut clockwise from the bottom as shown.

11



Secure the pipe to the bottom of the cup rinser as shown.

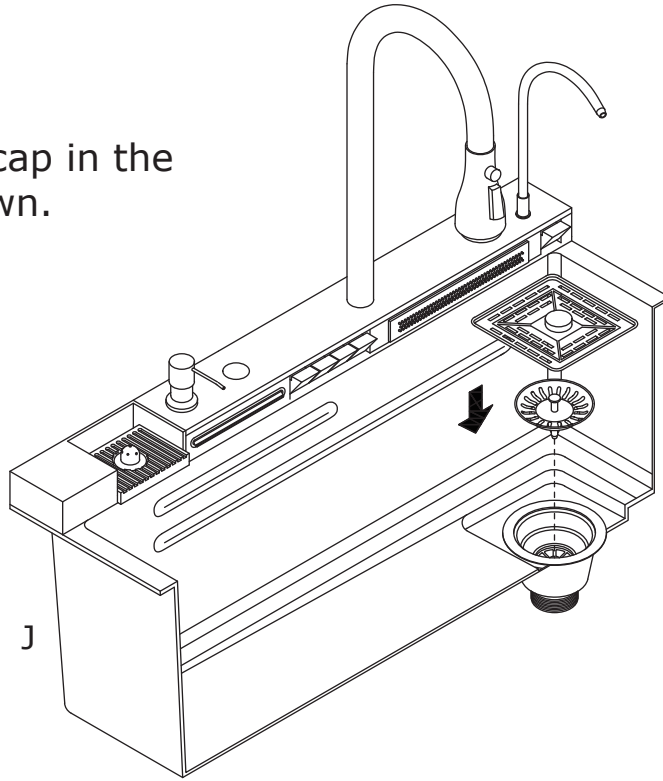
12



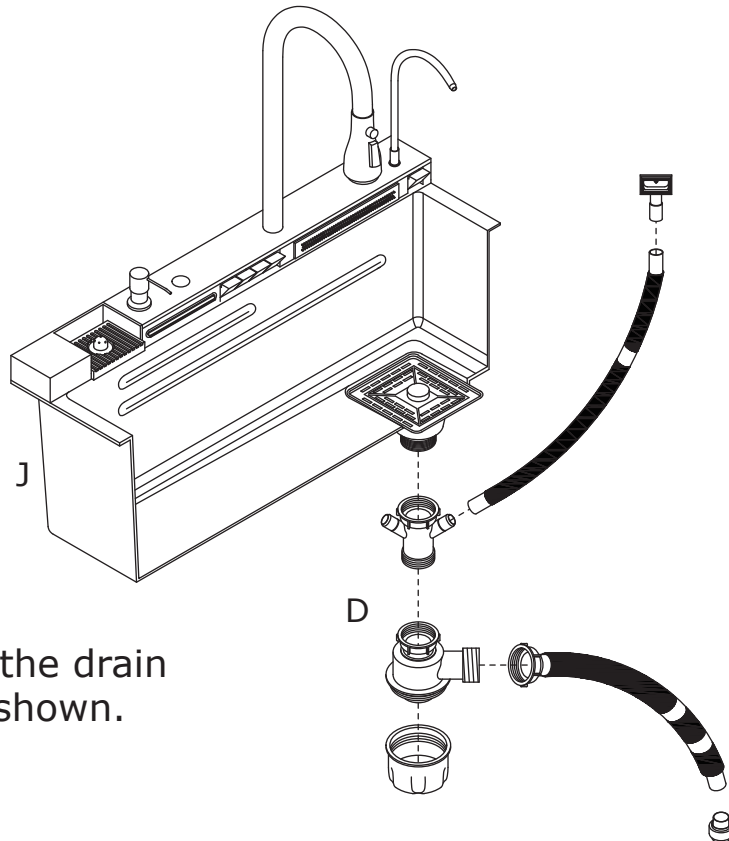
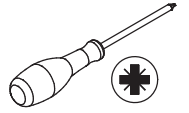
First loosen the screw in the center of the sink filter. Attach it to the three components and fasten it with the screw as shown.

13

Place the filter cap in the position as shown.

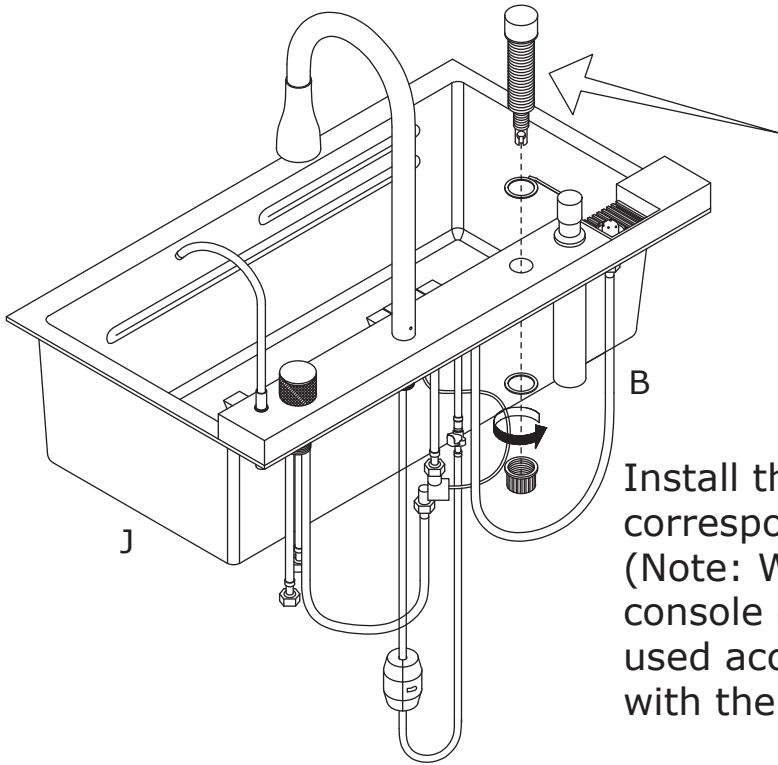


14



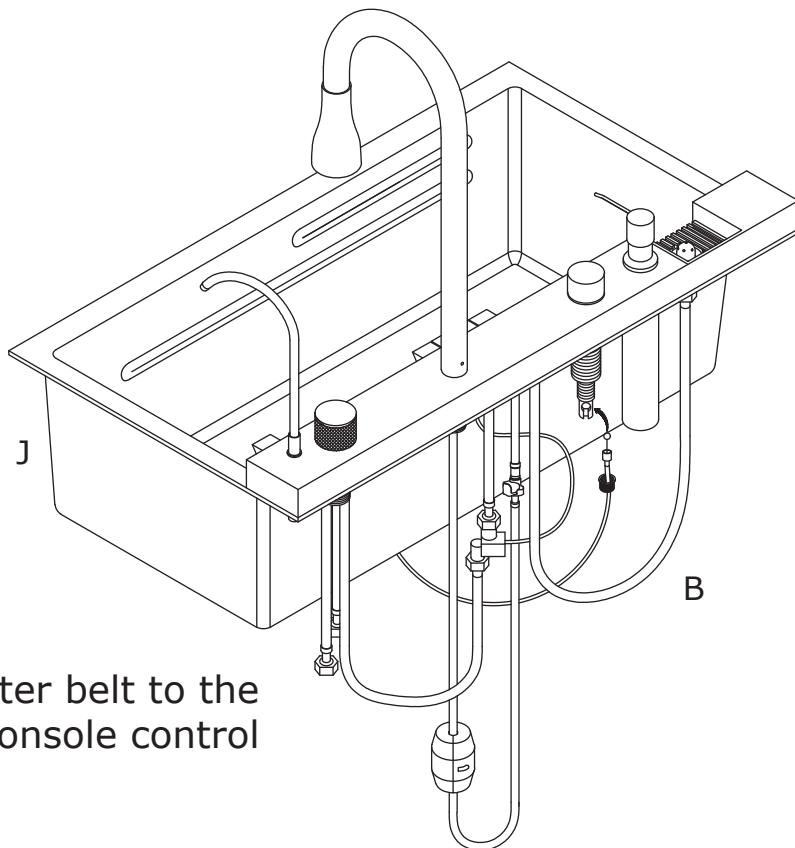
Tighten the drain pipe as shown.

15



Install the console control knob to the corresponding hole as shown.
(Note: We have included two kinds of console control knobs, which can be used according to the actual matching with the interface of the water belt.)

16

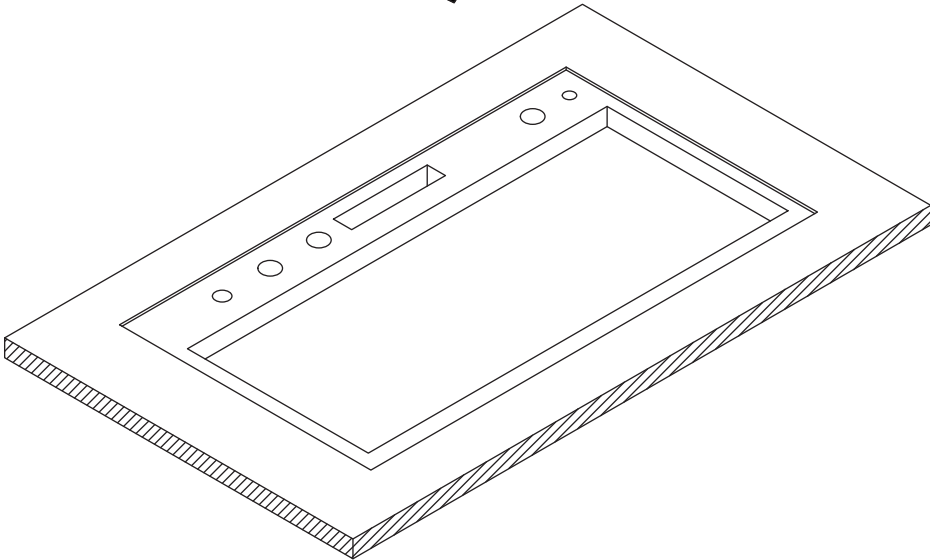
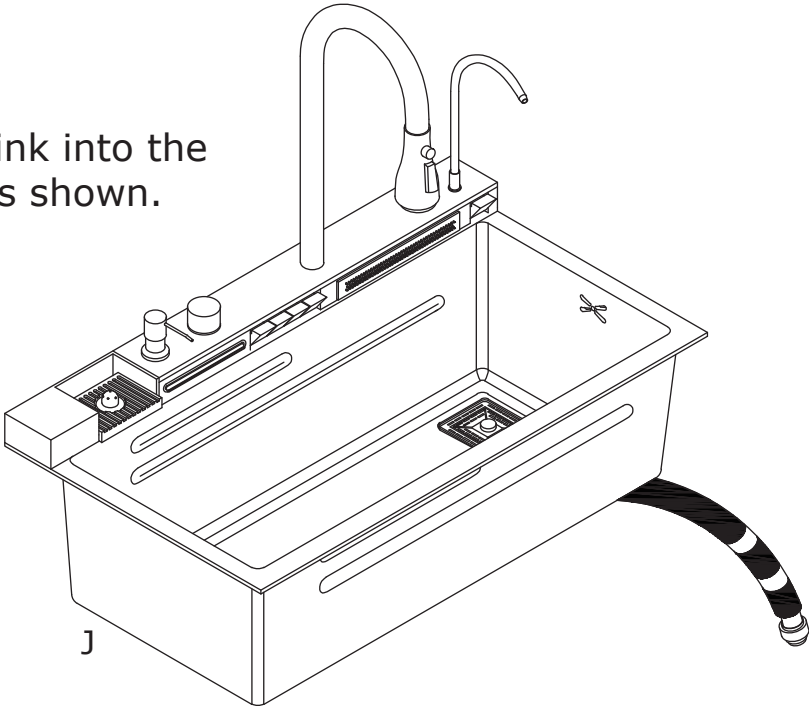


Connect the water belt to the bottom of the console control knob as shown.

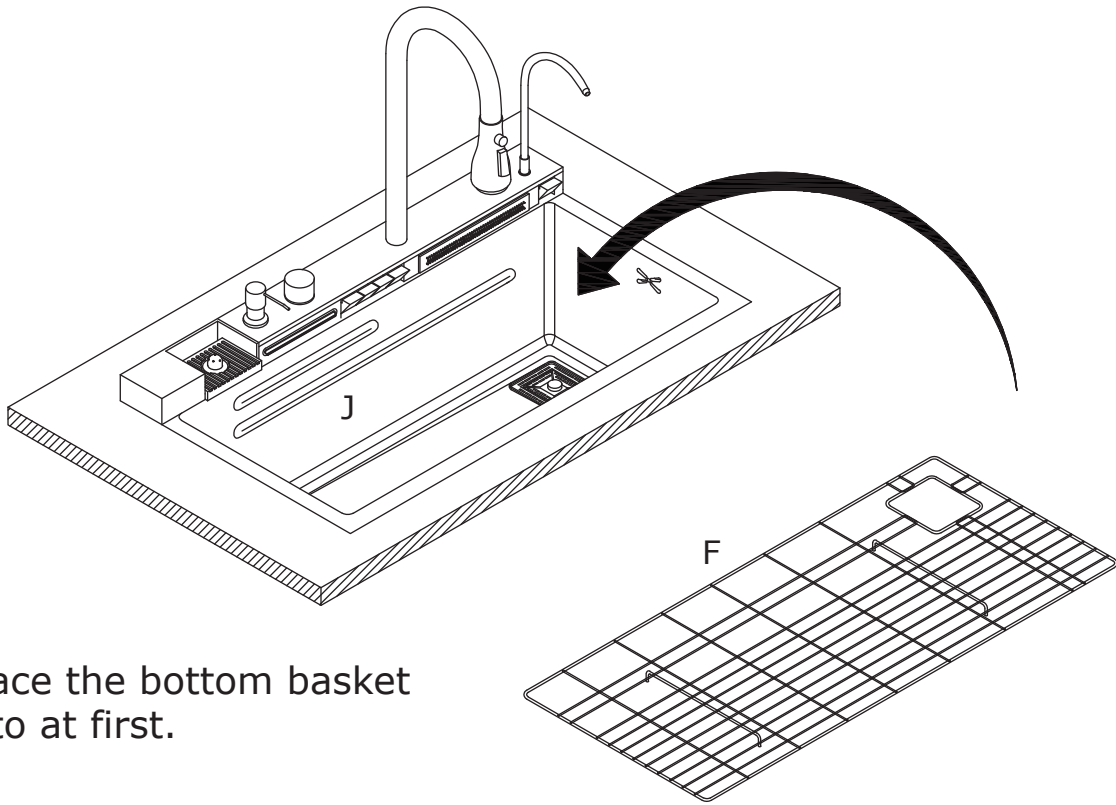
17



Embed the sink into the countertop as shown.



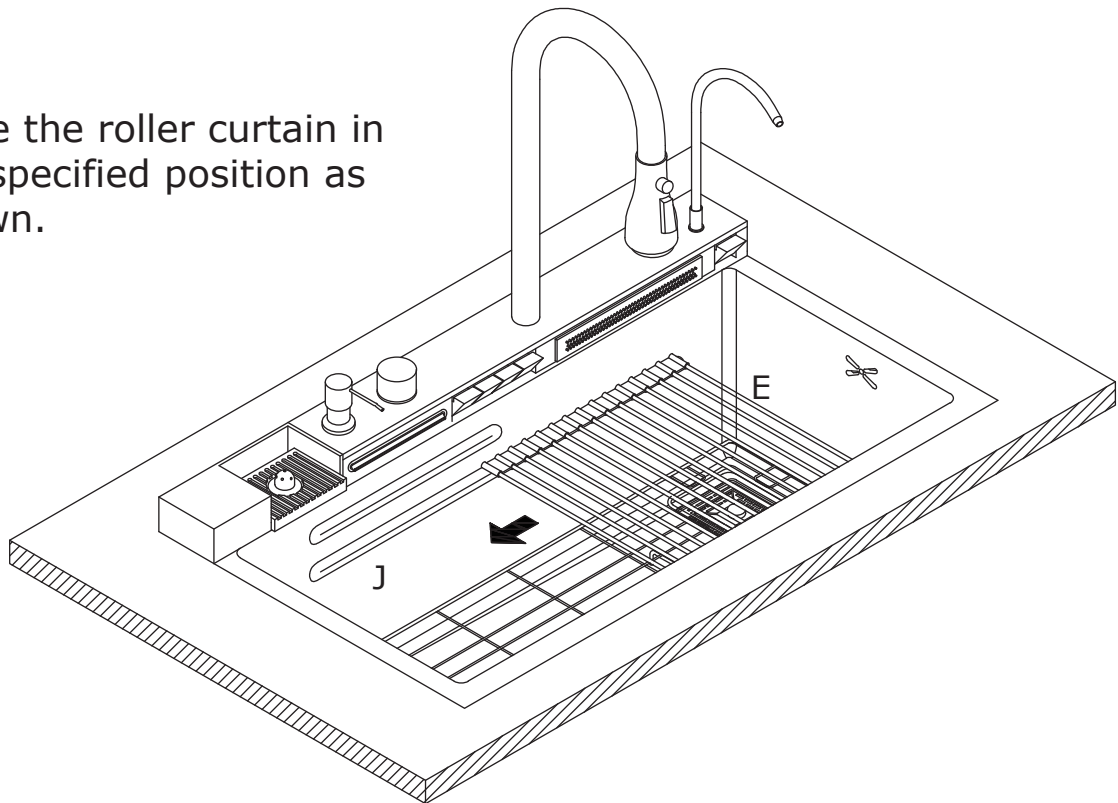
18



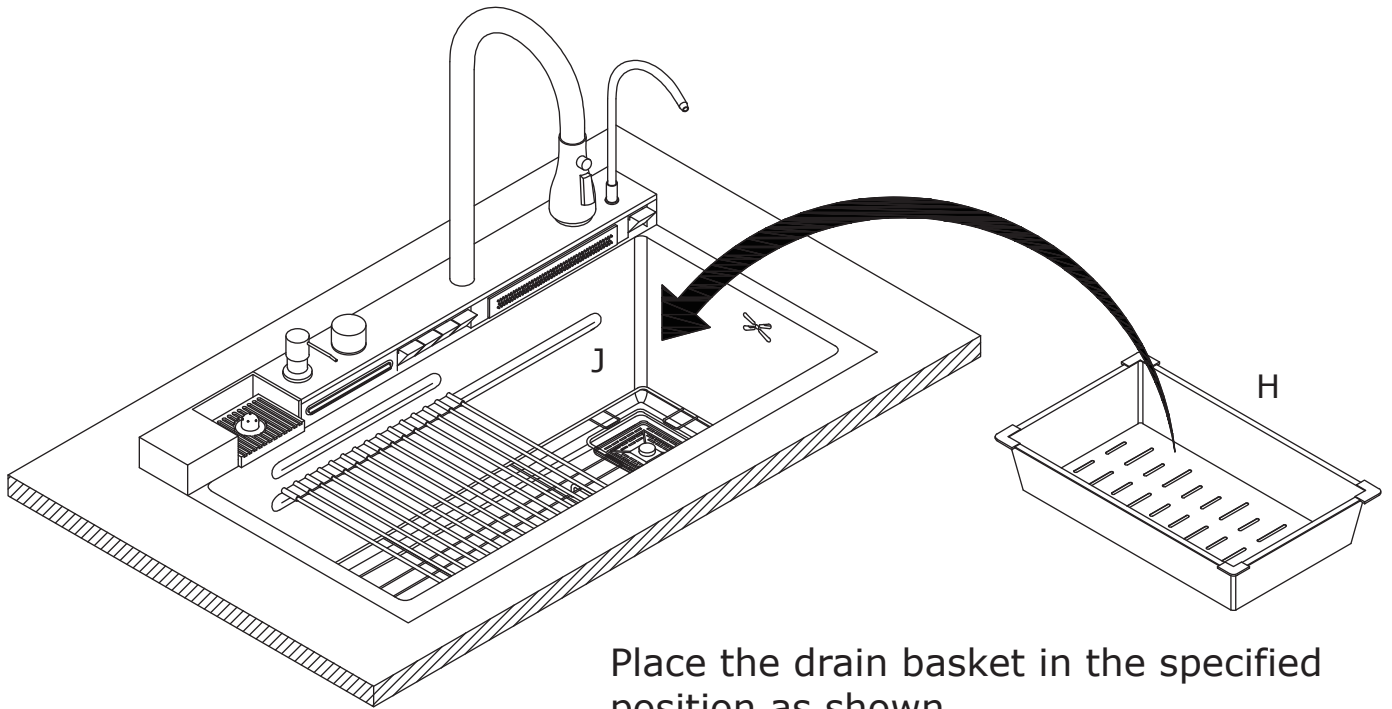
Place the bottom basket into at first.

19

Place the roller curtain in the specified position as shown.



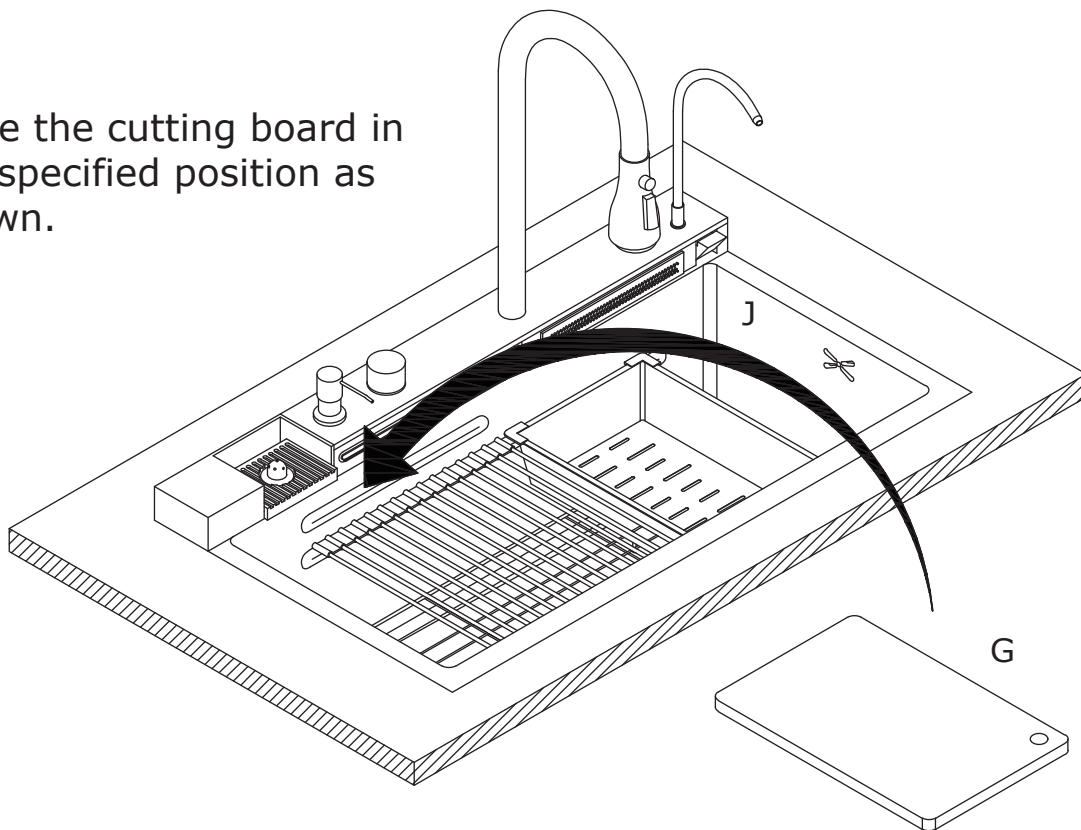
20



Place the drain basket in the specified position as shown.

21

Place the cutting board in the specified position as shown.



WARRANTY

WARRANTY CLAIMS

- There is a 30-day warranty for broken furniture or any other problems that do not work properly. The warranty will start from the date of purchase which must be verified by proof of purchase.
- Before making a claim, we may be able to answer your query, simply call us. Please leave your purchase order number, along with some details of the problem, if you want a replacement part. We will arrange within 48 hours. If there is out of stock, we will reply with a shipping date.
- The product must be used in accordance with the instructions provided. For health reasons.
- For other reasons, if the furniture needs to be returned, it must be cleaned and dried and operated within 30 days of receipt.

Type of Warranty Claim

- Failure to follow the furniture instructions will invalidate the warranty. Attention please.
- Does not include damage during installation, but includes damage during transportation.

Scope of responsibility

- Shall not bear any responsibility for misuse or user damage and / or loss of parts during the installation of furniture.
- After using, the damage and scratches of the furniture are not covered by the warranty.

The Warranty Relates to All Bought in The Us and Covers The Following Areas

- Sheet parts: 1 month from the date of purchase.
- Electrical parts: 1 month from the date of purchase.

RETURNS

CHANGED YOUR MIND AND NEED TO RETURN YOU ITEM?

PLEASE FOLLOW THE BELOW INSTRUCTIONS:

- If you have purchased and have simply changed your mind, follow the retailer's instructions for returns.

DEFECTIVE ITEMS

- If your item is defective in any way, i.e. it doesn't work but you can't identify why, in the first instance, please call us.

DAMAGED ITEMS

- If you receive an order with obvious shipping damage from the retailer, then we suggest the delivery is refused. If the delivery has been accepted and then shipping damage is found, please follow the specific instructions advised by the retailer.
In all circumstances please save all packaging material and paperwork for the order. Please be aware that if you dispose of packaging material or attempt to return the merchandise without contacting the fulfiller, you jeopardise your chances of making a claim, and you may not receive a credit for the return.

AFTER-SALES CONTACT



feedbackstation@163.com



(303)800-6387