



CORNER RACK

SAFETY & WARNINGS

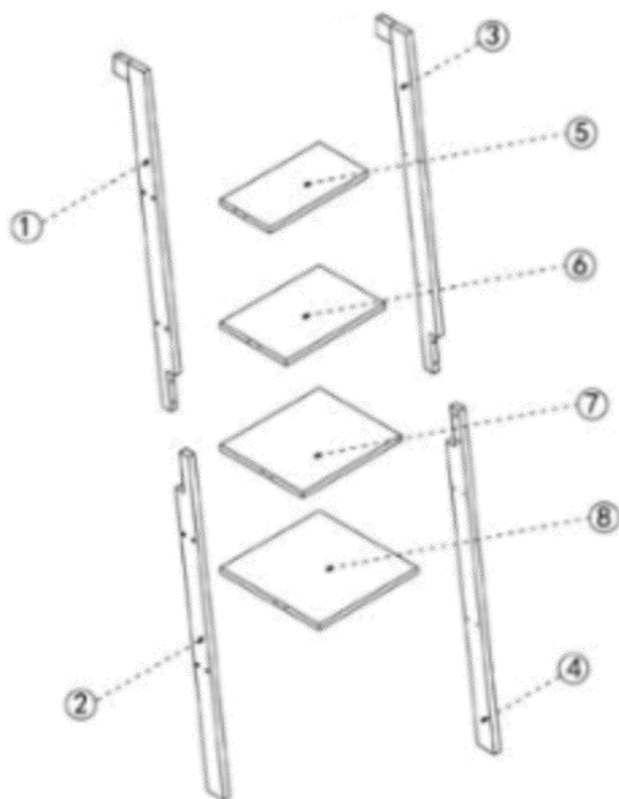
Warning

- Read each step carefully before starting.
- Check you have all the components and tools listed on pages 3.
- Remove all fittings from the plastic bags and separate them into their groups.
- During assembly children should be kept away from the product due to possible risk of injury.
- Make sure you have enough space to layout the parts before starting.
- Do not stand or put weight on the product, this could cause damage. Assemble the item as close to its final position (in the same room) as possible.
- Assemble on a soft level surface to avoid damaging the unit or your floor.
- We do not recommend the use of power drill/drivers for inserting screws, as this could damage the unit. Only use hand screwdrivers.
- Parts of the assembly will be easier with 2 people.
- Do not use this item if any components are missing or damaged.
- Dispose of all packaging carefully and responsibly.

Assembly Tips

- Please read the instruction manual carefully to understand the matters needing attention in the process of installation and maintenance.
- Strictly follow the assembly instructions.
- Carefully check whether the parts in the box are intact.
- Assemble on the box so as not to damage the product and room floor.
- The use of mismatched parts may cause damage to the product. Please confirm the model of various parts before assembly.

PART LIST



COMPONENTS



A x 4PCS



B x 4PCS



C x 18PCS



D x 2PCS



E x 2PCS

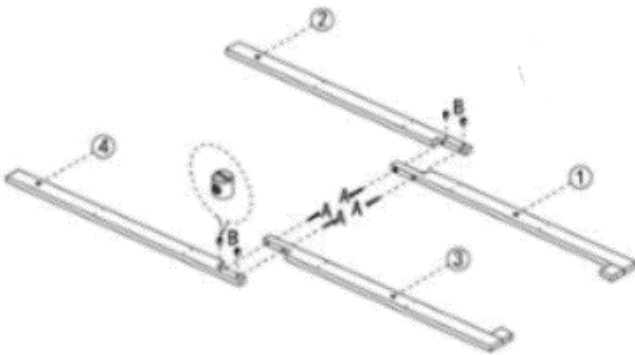


F x 2PCS

INSTALLATION

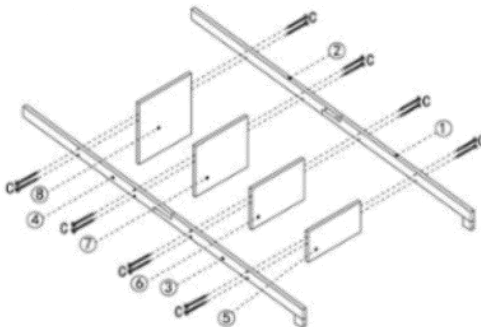
Step 1

Insert two B into the holes on the end of ④ and two B into the holes on the end of ②. Connect ④ to ③ by screwing two A through the holes on the end of ③ and tighten into B. Connect ② to ① by screwing two A through the holes on the end of ① and tighten into B.



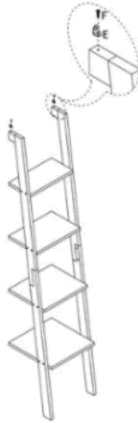
Step 2

Attach ⑤ to left and right side panels by inserting and tightening four screws through the holes on ⑤. Repeat the above step to attach ⑥, ⑦, ⑧.



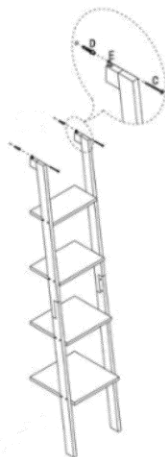
Step 3

Insert F through E into the corresponding holes on ① and ③ and tighten with a screwdriver.



Step 4

Drill two holes on the wall using the holes of E as a guide. Insert two D into the holes on the wall. Insert two C through the holes of E and tighten into D.



CLEANING & CARE

- Only clean using a damp cloth and mild detergent, do not use bleach or abrasive cleaners.
- Regularly check all fastenings to ensure that they properly tightened.
- This product should not be discarded with household waste. Take to your local authority waste disposal centre.