

ASSEMBLY INSTRUCTIONS

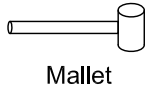
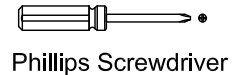
BAYVIEW DRESSER

ASSEMBLY
REQUIREMENTS:

2-Person
Assembly

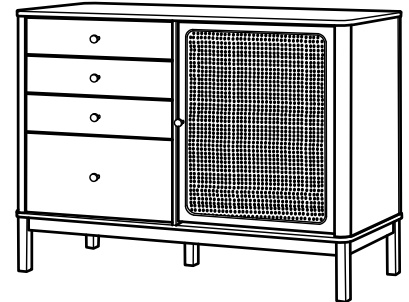
120 minutes
Assembly Time

Tools Required:
(Not Provided)



Thank you for purchasing our product!

Please refer and use this assembly instruction to assemble the product. Contact our customer service department in case there are any missing or damage parts or hardware. Replacement parts are normally shipped within 2 or 3 days.



PRODUCTS PURCHASED THROUGH OUR AUTHORIZED VENDORS ONLY ARE ELIGIBLE FOR REPLACEMENT PARTS.

We appreciate your business!

THIS PRODUCT IS FOR INDOOR AND HOUSEHOLD USE ONLY - NOT FOR COMMERCIAL USE.

ASSEMBLY PREPARATION

1. Remove all packaging materials, staples and packing straps from the carton.
2. Refer to Parts List and Hardware List and ensure they are complete before assembly.
3. Place all wooden parts on a clean, flat and soft surface (e.g. carpet or rug) to prevent parts from getting scratched.

SAFETY PRECAUTION

1. KEEP ALL HARDWARE PARTS OUT OF REACH OF CHILDREN.
2. DISPOSE PLASTIC PACKAGING MATERIAL IMMEDIATELY TO AVOID ANY RISK OF SUFFOCATION TO CHILDREN AND ANIMALS.

TIPS FOR ASSEMBLY

1. Allow ample room for assembly and in close proximity to where product will be placed.
2. Assemble the product on a surface that does not scratch or damage the exterior gloss and finish of the furniture.
3. Identify all of the parts, hardware and quantities required for each step.
4. During assembly, do not over-tighten any fittings as this may cause damage.
5. DO NOT USE POWER TOOLS TO ASSEMBLE THIS PRODUCT.
6. Always place the product on a flat surface.
7. Do not sit or stand on the partially assembled product; only use the product for which it is intended.

CARE AND MAINTENANCE

- Wipe clean with a soft, dry cloth; avoid the use of harsh chemicals or household cleaners as they may damage the exterior finish of the furniture.
- Hardware may loosen over time. Periodically, check that all connections are tight; re-tighten as necessary.
- Solid wood is impacted by heat and humidity fluctuations and may result in small joint separations or hairline cracks; place the furniture away from direct sunlight and air conditioning vents, heating vents or units to protect the furniture.

ASSEMBLY INSTRUCTIONS

BAYVIEW DRESSER ITEM # 97306

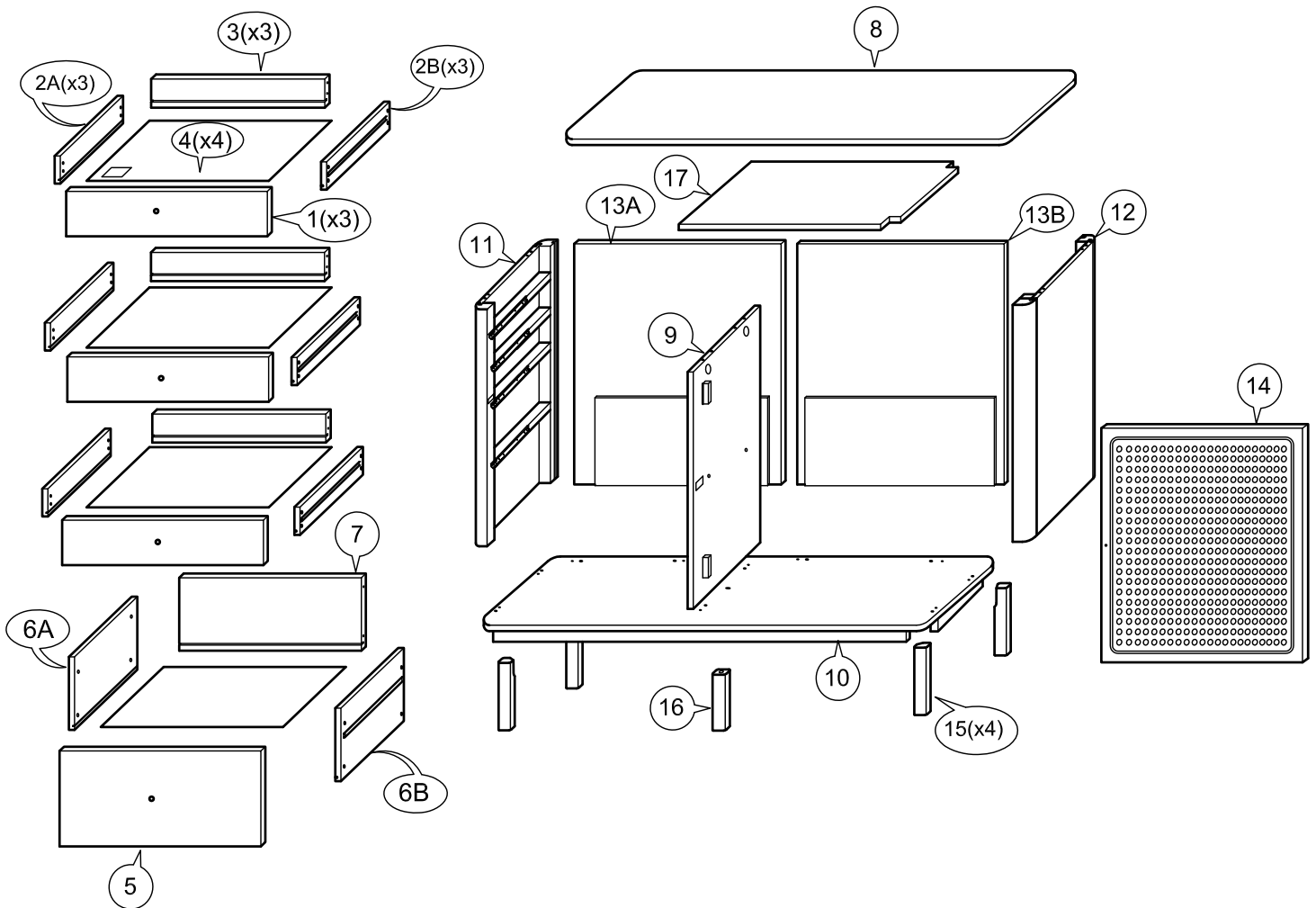
PARTS LIST

Part#	Description	Qty
1	Small Drawer Front Panel	3pcs
2A	Small Drawer Left Panel	3pcs
2B	Small Drawer Right Panel	3pcs
3	Small Drawer Back Panel	3pcs
4	Drawer Bottom Panel	4pcs
5	Large Drawer Front Panel	1pc
6A	Large Drawer Left Panel	1pc
6B	Large Drawer Right Panel	1pc

Part#	Description	Qty
7	Large Drawer Back Panel	1pc
8	Top Panel	1pc
9	Divide Panel	1pc
10	Bottom Panel	1pc
11	Left Panel	1pc
12	Right Panel	1pc
13A	Back Panel Left	1pc
13B	Back Panel Right	1pc

Part#	Description	Qty
14	Door	1pc
15	Leg	4pcs
16	Support Leg	1pc
17	Shelf Panel	1pc

PARTS ASSEMBLY OVERVIEW



Hardware List

DESCRIPTION	QTY	EXTRA	DESCRIPTION	QTY	EXTRA	DESCRIPTION	QTY	EXTRA
A M8 x 70mm Bolt	4	2	G #8 x 1 1/4" Screw	38	2	M M4 x 16mm Screw	12	2
B 5/16" Spring Washer	4	2	H Handle	5	-	N Shelf Pin	4	2
C 5/16" Flat Washer	4	2	I M4 x 20mm Screw	5	2	O M6 x 40mm Bolt	1	1
D 12mm Cam-Lock	18	2	J M5	1	-	P M6 x 13mm Flat Washer	1	1
E 24mm Cam-Bolt	18	2	K M4 x 60mm	1	-	Q Adjustable Leg Stud	1	1
F M8 x 30mm Wood Dowel	20	2	L 7/8" DAMPER HINGES	2	-			

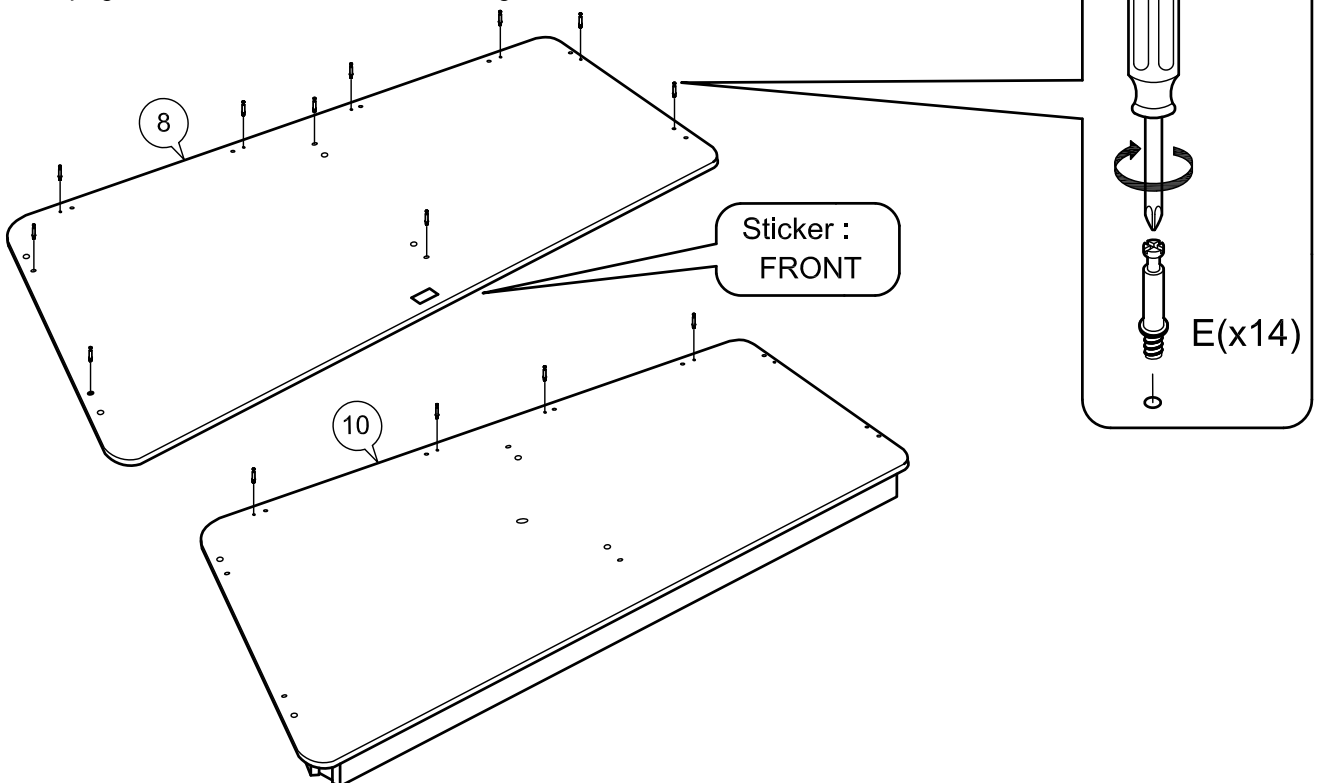
* Extra hardware for spare use

ANTI-TIPPING

R	R1	Metal Bracket	R2	Cabinet Restraint Strap	R3	Pan Head Screw (Long)	R4	Pan Head Screw (Short)	2 SET

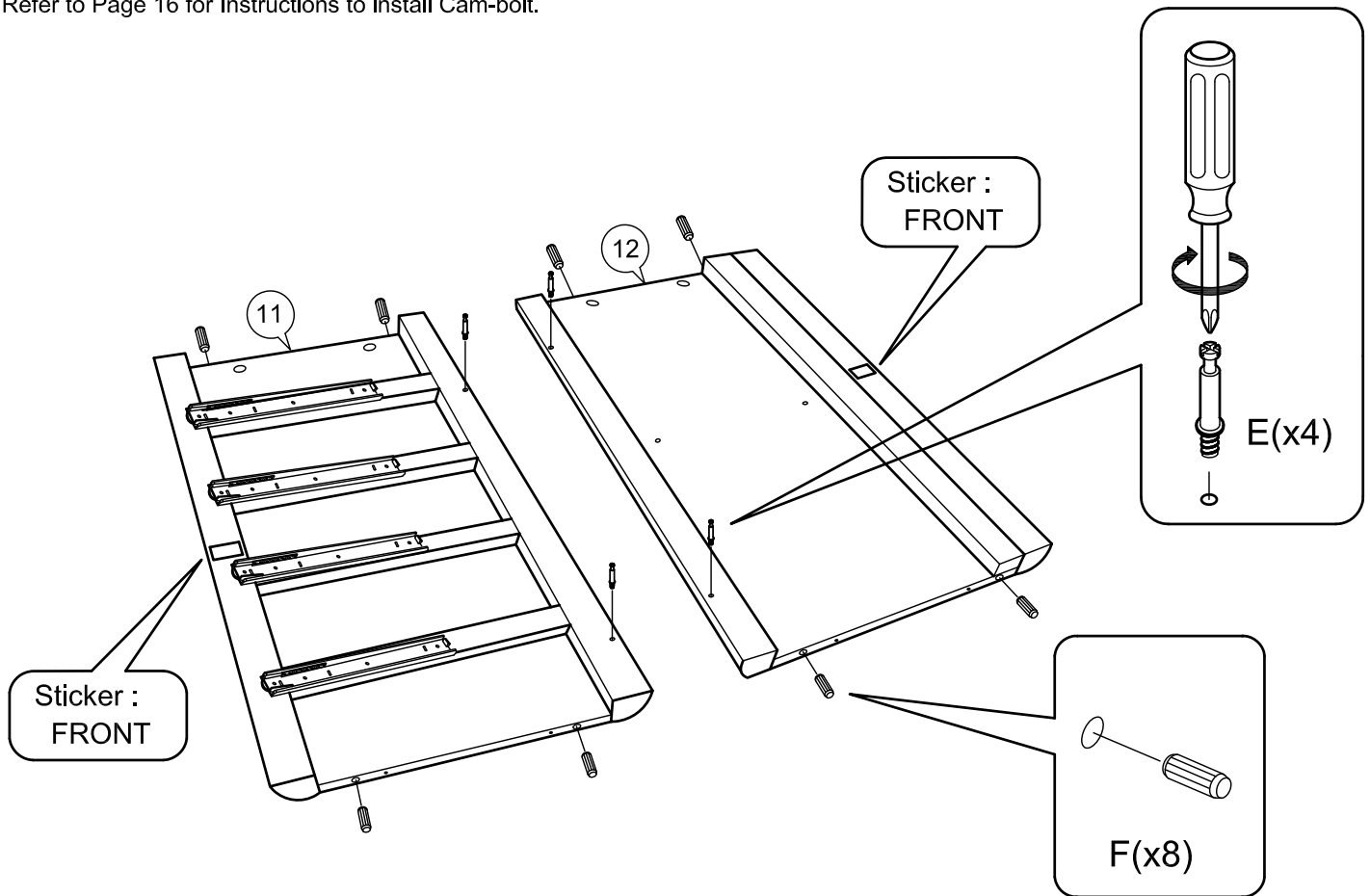
STEP 1

- a) With assistance, lay Top Panel (8) and Bottom Panel (10) as flat as shown on a material that does not scratch or damage the part.
- b) Screw in Cam-bolt (E) into each of the designated hole as indicated on (8) and (10). Refer to page 16 for Instructions on installing cam-bolt.



STEP 2

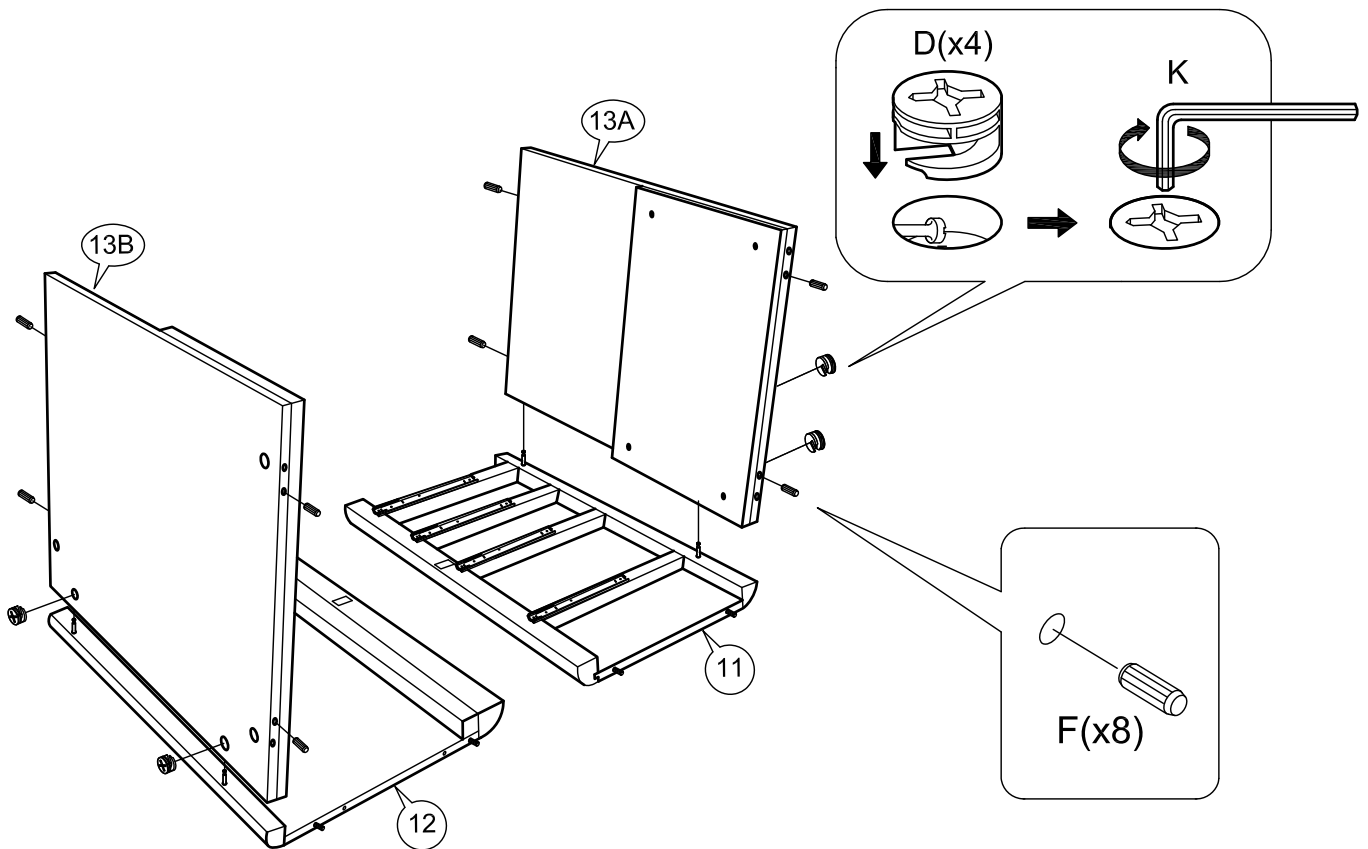
Refer to Page 16 for Instructions to install Cam-bolt.



- With assistance, lay Left Panel (11) and Right Panel (12) flat as shown on a material that does not scratch or damage the part.
- Screw in Cam-bolt (E) into each of the designated hole as indicated on (11) and (12).
- Insert Wood Dowel (F) into the outer holes on the top and bottom edge of (11 & 12).

STEP 3

Refer to Page 16 for Instructions to install Cam-lock.



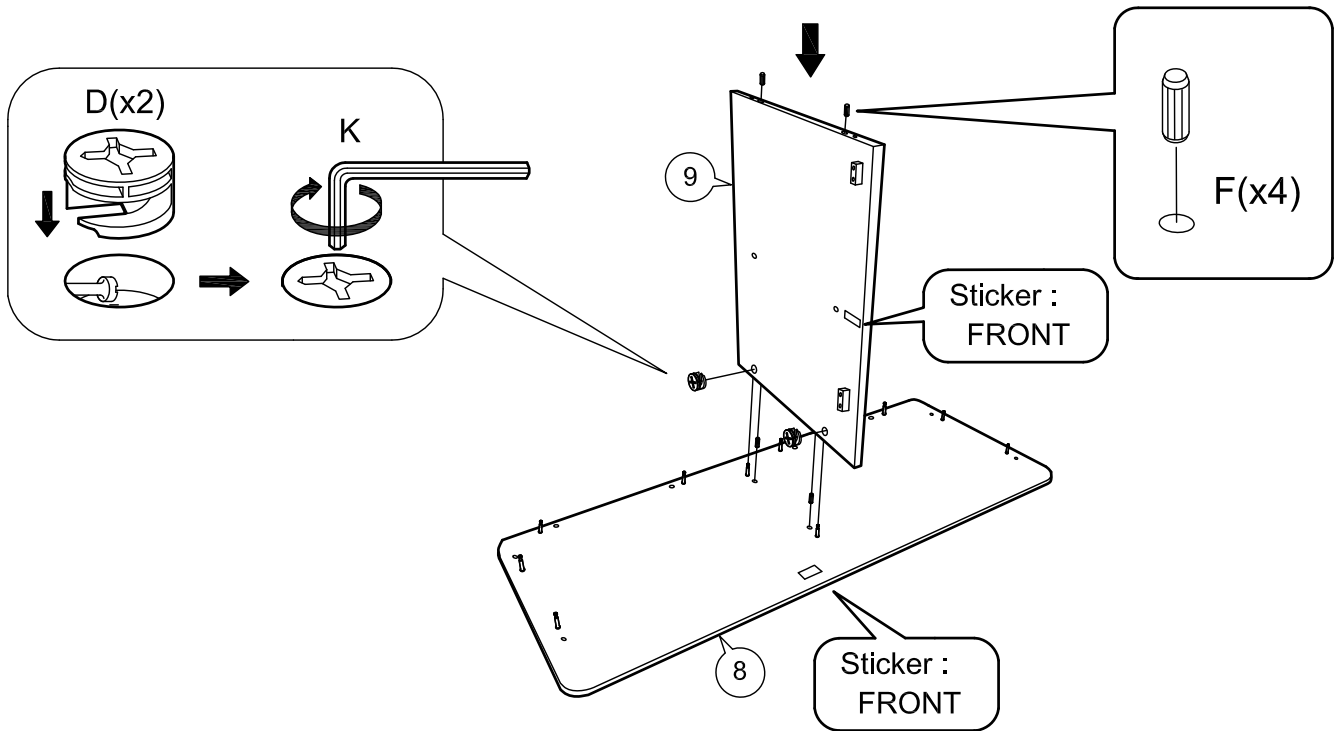
a) Attach Back Panel (13A) via cam-bolt on (11) and Back Panel (13B) via cam-bolt on (12) - take note of the orientation of (13A & 13B).

Next, insert Cam-lock (D) into the designated holes on (13A & 13B) and use Allen Key (K) to turn Cam-lock (D) clockwise to lock onto cam-bolt on (11 & 12). Refer to Page 16 for instructions on inserting and tightening cam-lock.

b) Insert Wood Dowel (F) into the inner holes on the top and bottom edge of (13A & 13B) as shown.

STEP 4

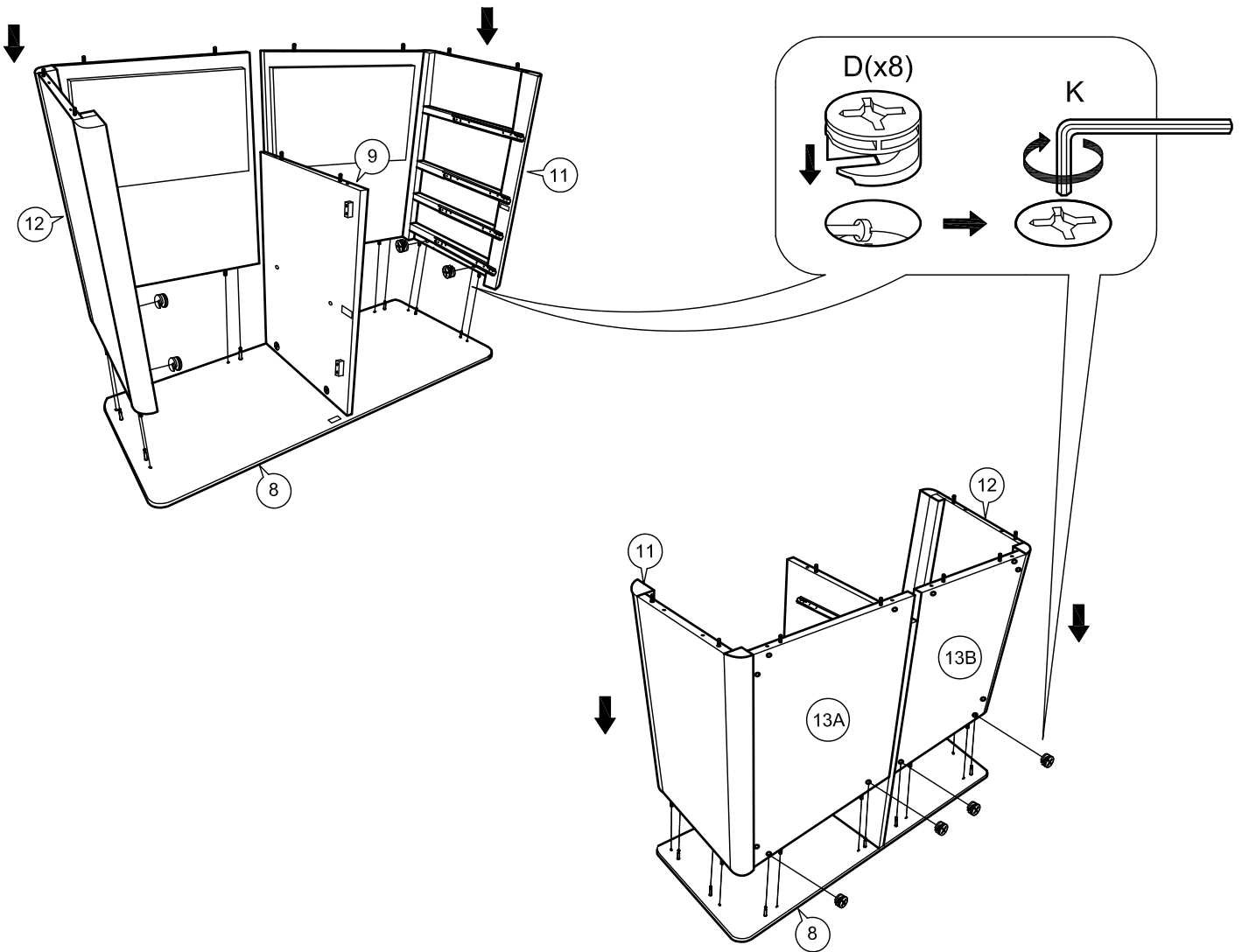
Refer to Page 16 for Instructions to install Cam-lock.



- With assistance, lay Top Panel (8) from STEP 1 flat on a material that does not scratch or damage the part.
- Insert Wood Dowel (F) into the inner two holes on the top and bottom edge of Divide Panel (9) and attach to (8) as shown.
- Insert Cam-lock (D) into the designated holes on (9) and use Allen Key (K) to turn Cam-lock (D) clockwise to lock onto Cam-bolt on (8).

STEP 5

Refer to Page 16 for Instructions to install Cam-lock.

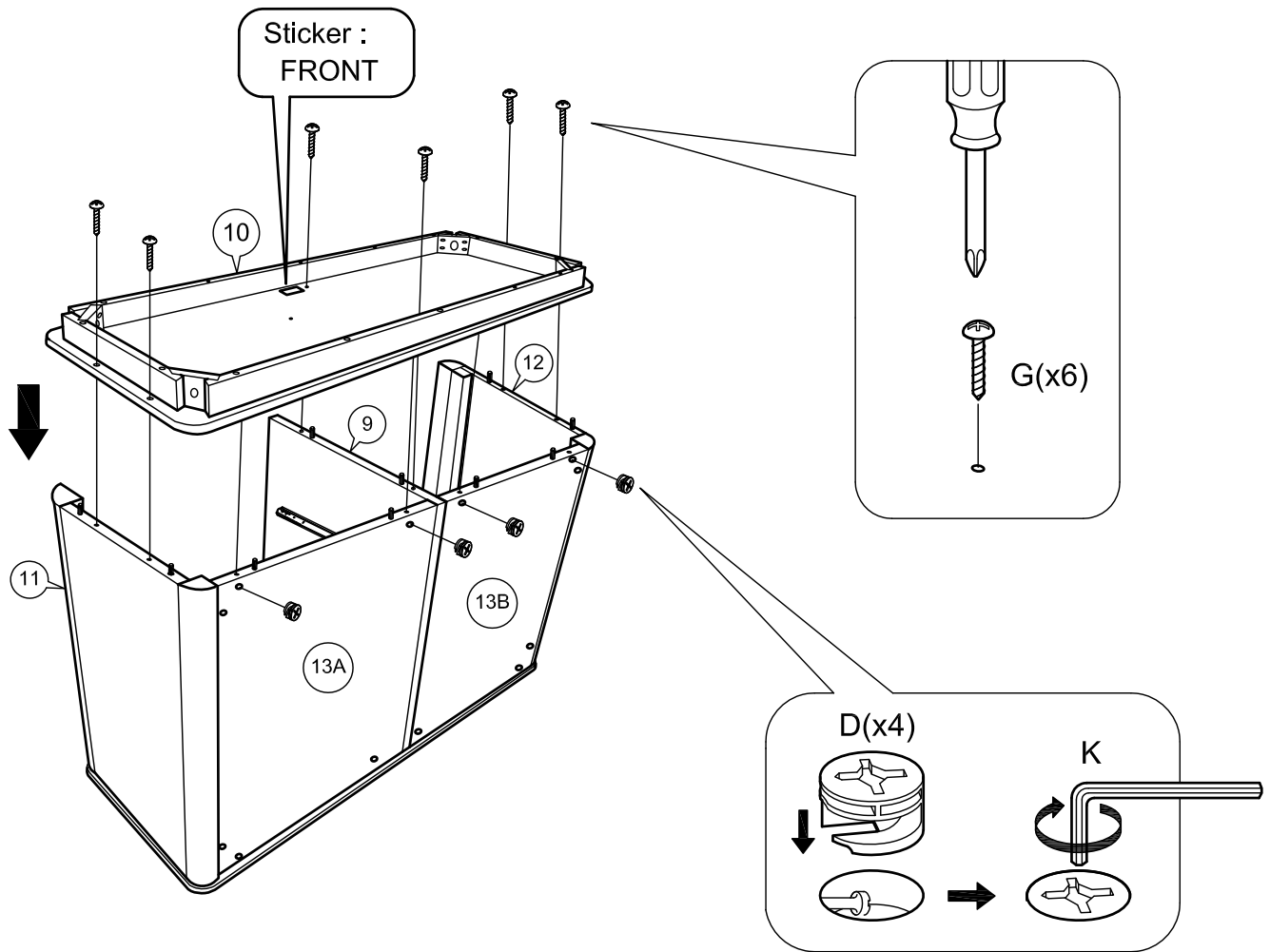


a) With assistance, attach the assembly Left and Right (11 & 12) from STEP 3 to Top Panel (8) as shown.

b) Insert Cam-lock (D) into the designated holes on (11,12,13A & 13B) and use Allen Key (K) to turn Cam-lock (D) clockwise to lock onto Cam-bolts on (8).

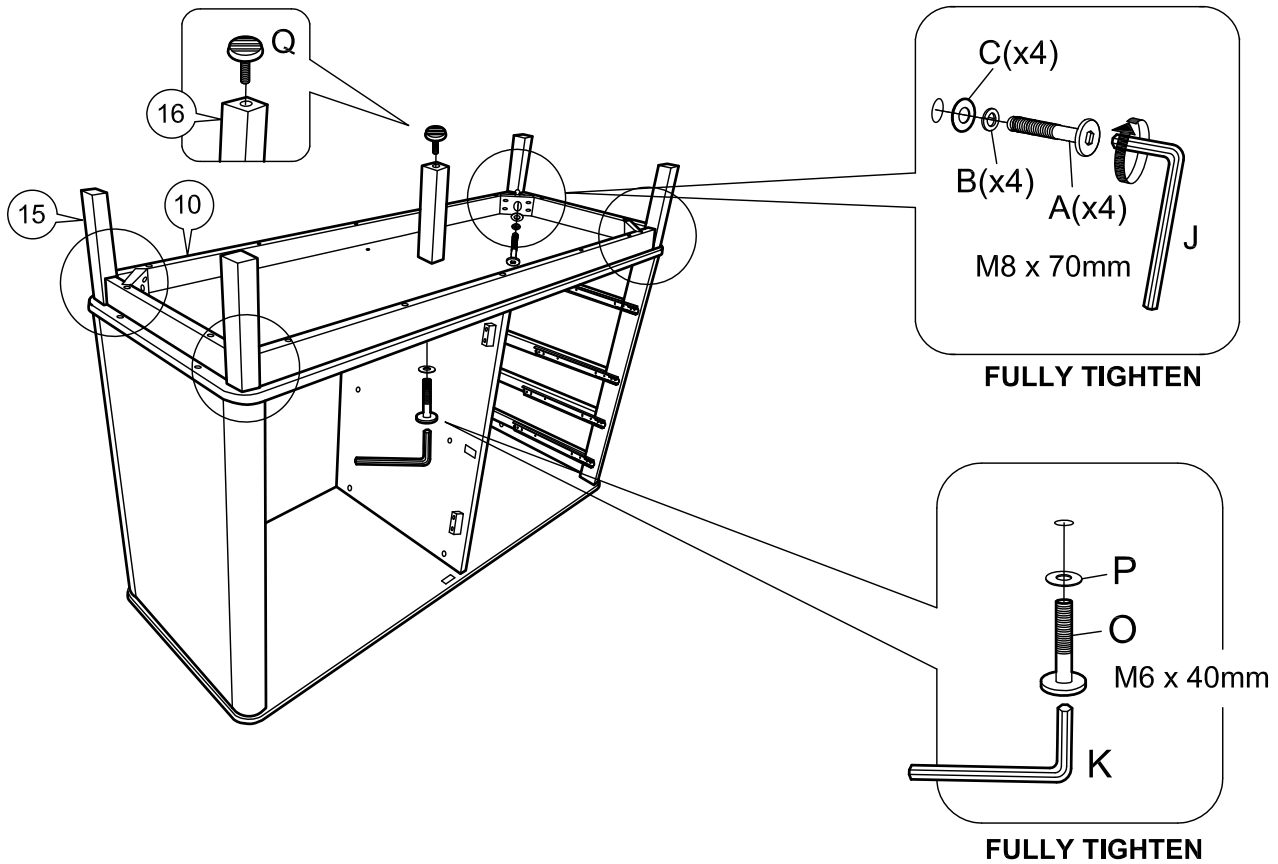
STEP 6

Refer to Page 16 for Instructions to install Cam-lock.



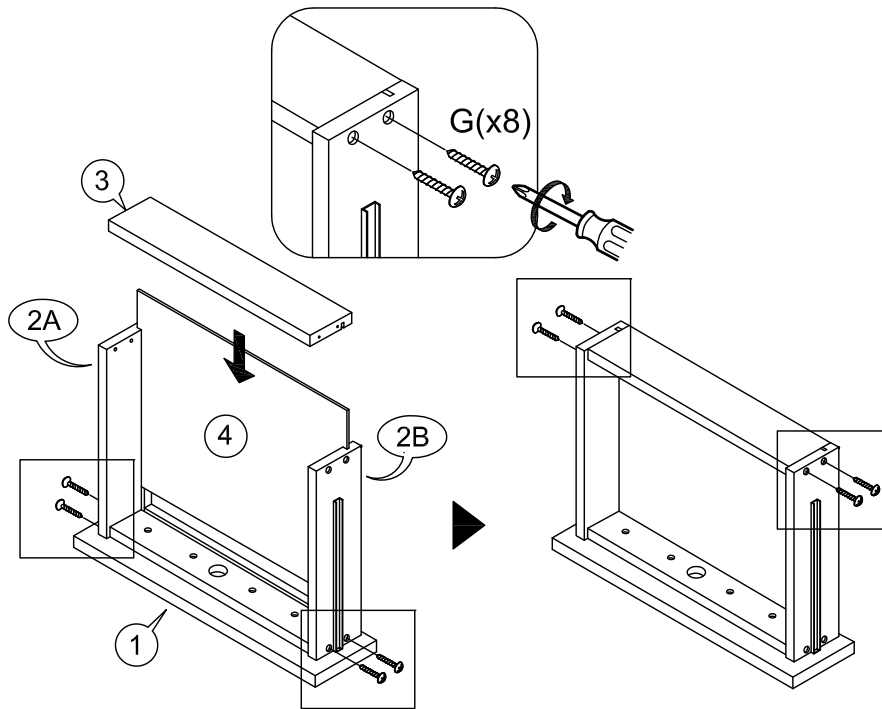
- With assistance, attach Bottom Panel (10) from STEP 1 to Divide, Left and Right and Back panels (9,11,12,13A & 13B) via cam-bolts and wood dowels on the respective parts. Take note of the orientation of (10) with respect to the "FRONT" sticker on (10).
- Insert Cam-lock (D) into the designated holes on (13A & 13B) and use Allen Key (K) to turn Cam-lock (D) clockwise to lock onto cam-bolts on (10).
- Use Screw (G) to fasten (10) to (9,11 & 12).

STEP 7



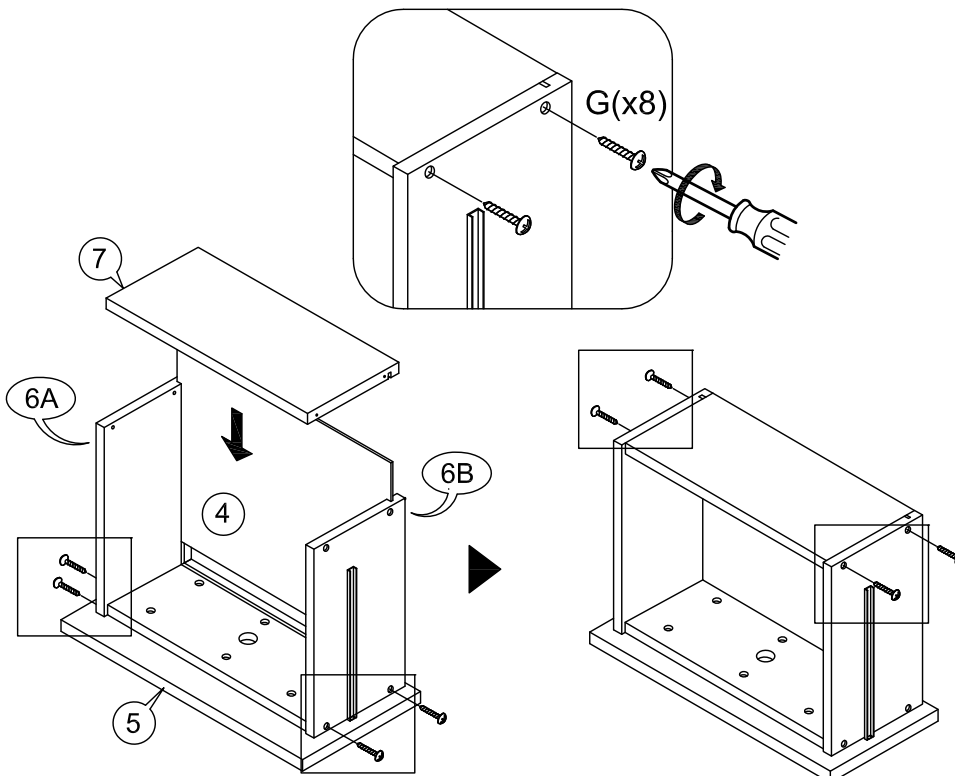
- Position Leg (15) with bolt holes facing and align to the holes on the Corner Block of Bottom Panel.
- Insert Bolt (A) fitted with Spring Washer (B) and Flat Washer (C) through the bolt hole on each corner block into the bolt hole on each leg. Next, use Allen Key (J) to tighten (A) completely.
- For underside of Bottom Panel (10), insert Bolt (O) fitted with Flat Washer (P) through the bolt hole on (10) into the bolt hole on Support Leg (16). Next, use Allen Key (K) to tighten (O) completely. Screw in Adjustable Leg Stud (Q) into the screw hole (16).
- Screw in Adjustable Leg Stud (Q) into the screw hole (16).

STEP 8



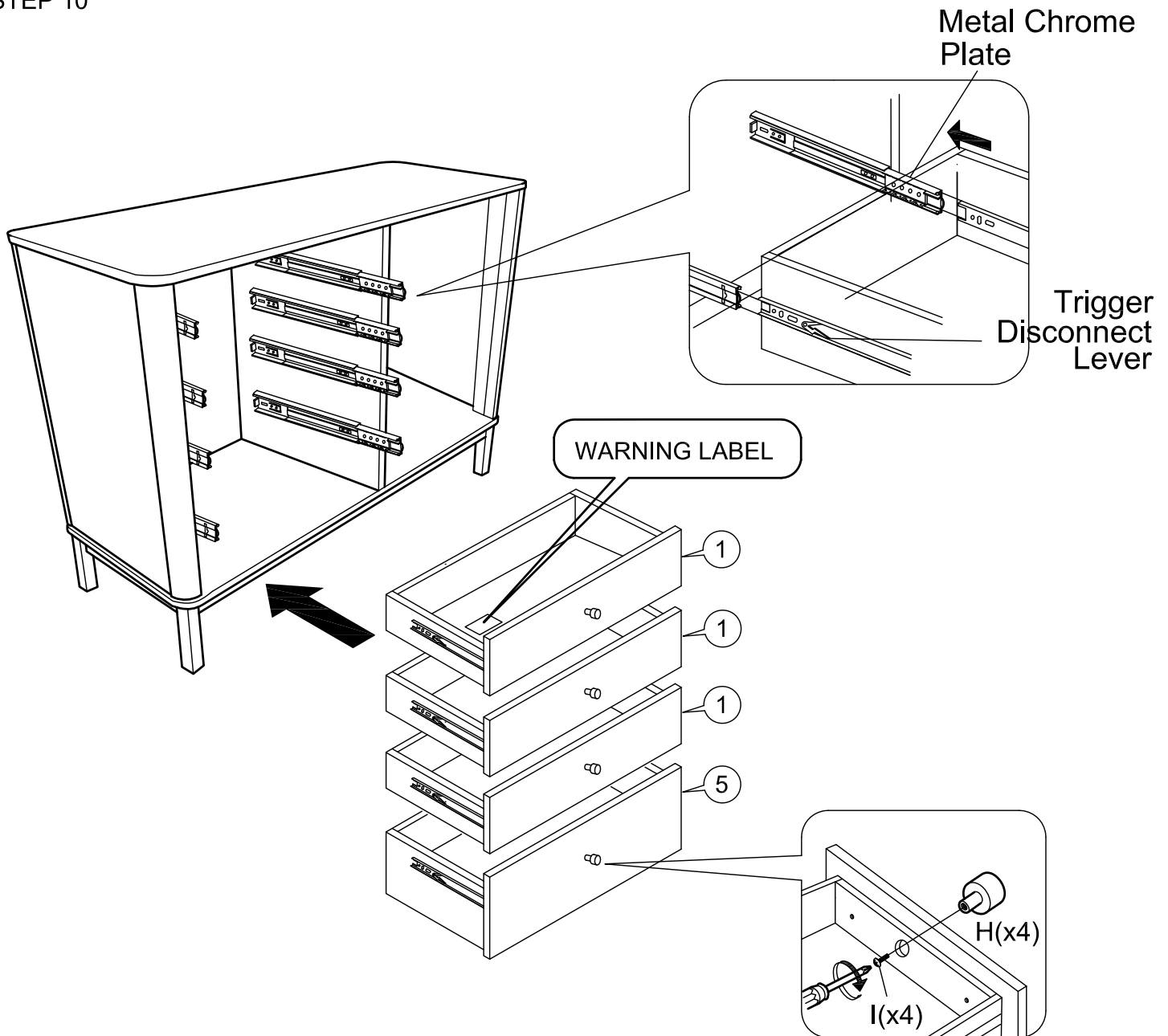
- Attach Small Drawer Left & Small Right Panel (2A & 2B) to Small Drawer Front Panel (1) as shown - note the groove on each panel has to be aligned. Next, use Philips screwdriver to drive Screw (G) to fasten (2A & 2B) to (1). Do not tighten screws completely until both screws are in place in each panel.
- Fit Drawer Bottom Panel (4) by inserting the edge of (4) into the groove on (2A & 2B). Check that the front edge of (4) fits into the groove on (1).
- With assistance, fit Small Drawer Back Panel (3) between (2A & 2B). Check that the back edge of (4) fits into the groove on (3). Next, use Philips screwdriver to drive Screw (G) to fasten (2A & 2B) to (3). Do not tighten screws completely until both screws are in place in each panel.

STEP 9



Use the procedures in STEP 8 to assemble the large drawer using the parts and hardware as shown.

STEP 10



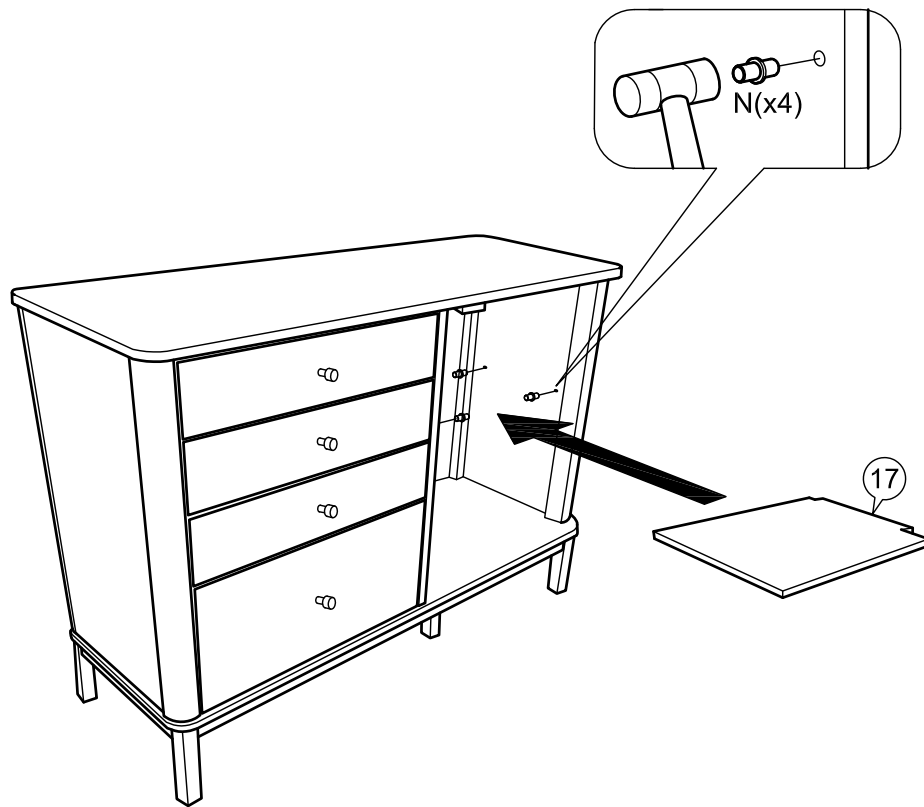
a) Affix Handle (H) to Small Drawer Front Panel (1) and Large Drawer Front Panel (5) with Screw (I). Use a Philips screwdriver to drive (I).

b) Insert Drawer.

Procedures To Insert Drawer :

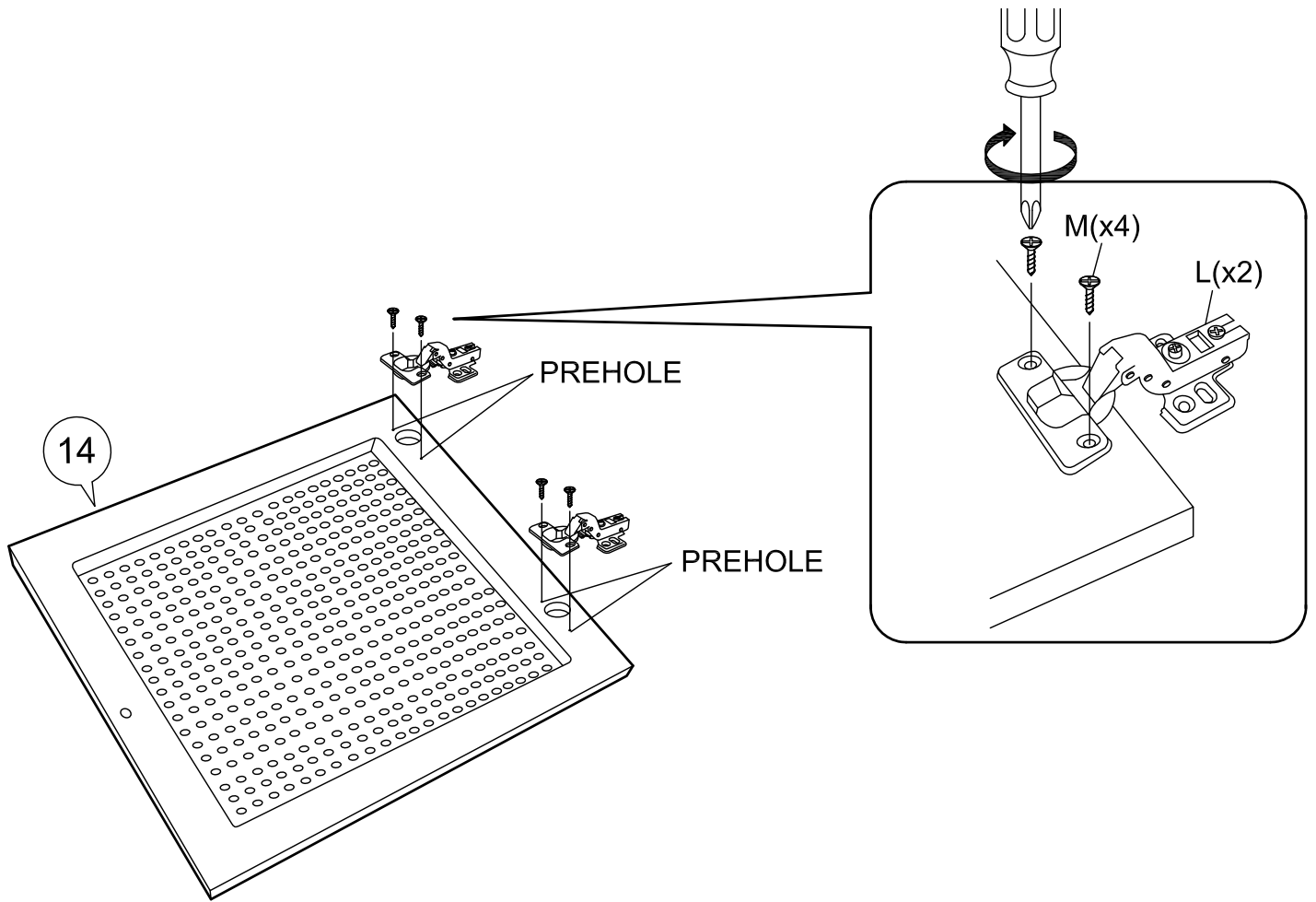
1. On the Left and Divide Panel of the dresser, bring the ball-bearing slider (metal chrome plate) on the Slide Track forward to the front edge of the Slide Track (towards drawer opening of the dresser).
2. Align the back open-end of the Slide Runner on each side of the drawer to fit squarely into the groove on the open front-end of Slide Track on the Left and Divide Panel. Be sure the drawer/Slide Track is not tilted or angled, and push in drawer squarely.
3. When the drawer is pushed in about half way, the Trigger Disconnect Lever on Slide Runner will be engaged onto the Slide Track which will create a slight resistance - this is normal. Pull out the drawer a little bit and gently push in the drawer again to engage the Trigger Disconnect Lever to the slide mechanism on Slide Runner. The drawer should now slide smoothly.
4. If the drawer cannot be pushed in or stuck, do not force it in. Remove the drawer and repeat the steps above.

STEP 11



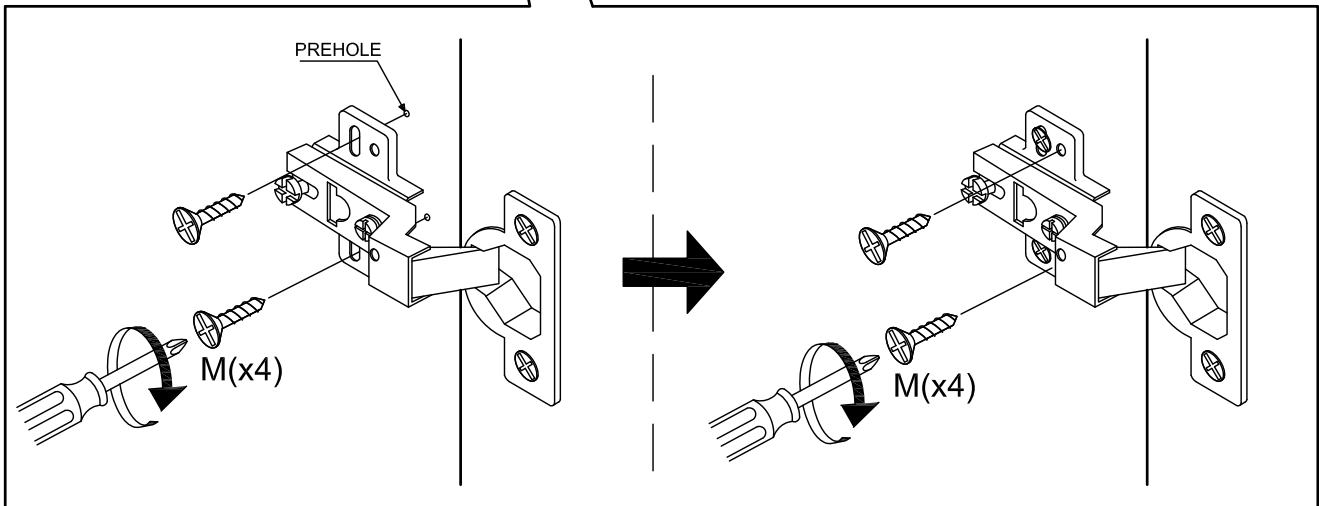
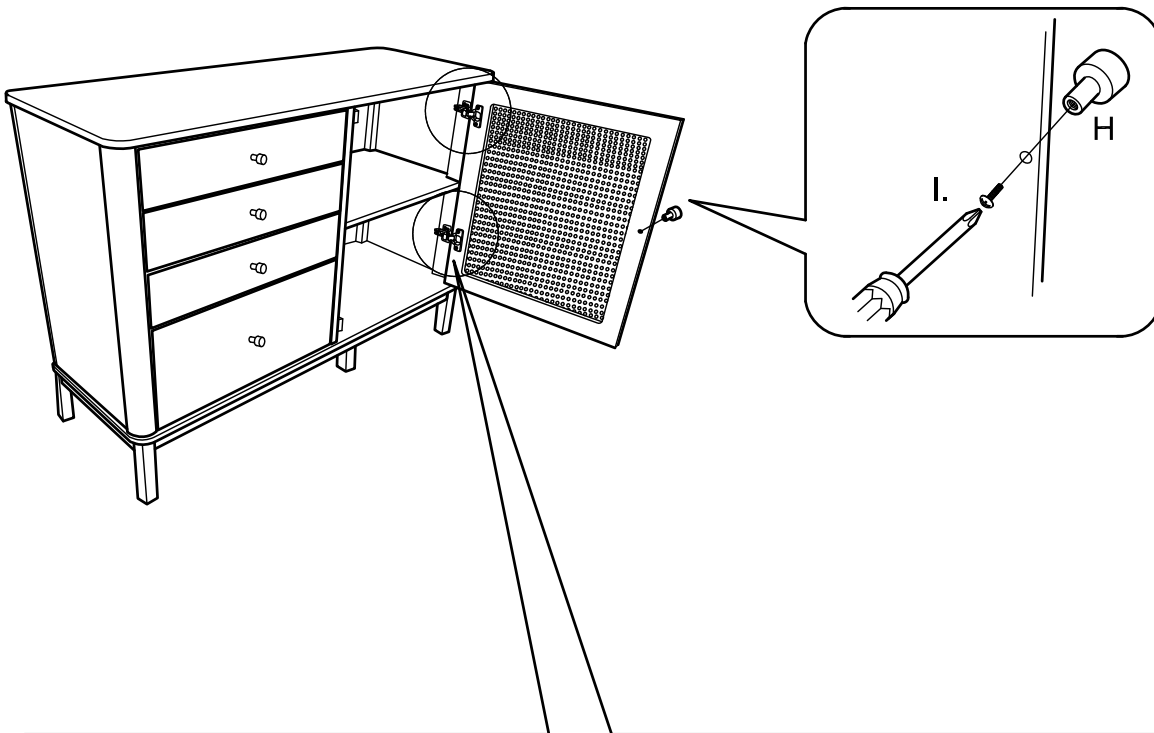
- a) Insert Shelf Pin (N) into the designated holes on the same level at the desired height on the Right Panel and Divide Panel. Use a mallet to lightly tap in (N) as needed.
- b) Place Shelf (17) by tilting it to fit between the Right Panel and Divide Panel and then level it sit on (N).

STEP 12



- a) Lay Door (14) flat as shown on a material that does not scratch or damage the part.
- b) Place Door Hinge (L) to fit the cup on the Door Wing of (L) into the hinge well on (14) and use Screw (M) to fasten Door Wing of Hinge. Use Phillips screwdriver to drive and tighten (M).

STEP 13

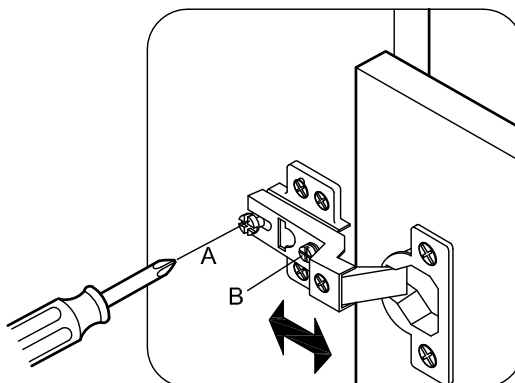
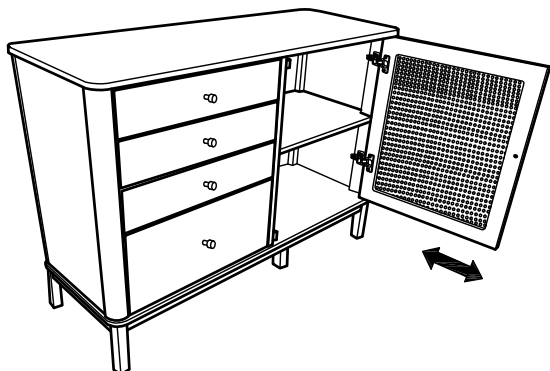


- With assistance, position Door (14) to set the frame wing of Hinge (L) against the frame on the Right Panel.
- Align the screw holes on frame wing of the door hinge to the pilot holes / preholes on the frame of Left Panel and fasten with Screw (M). Do not tighten the screw completely until both screws are in place on both hinges.
- Affix Handle (H) to Door with Screw (I). Use a Philips screwdriver to drive (I).

Use STEP 14 , 15 and 16 to make door alignment adjustment as needed.

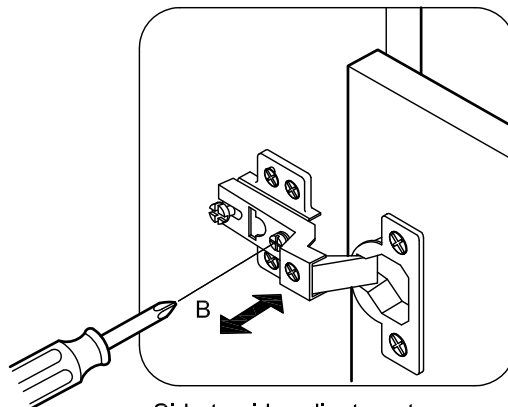
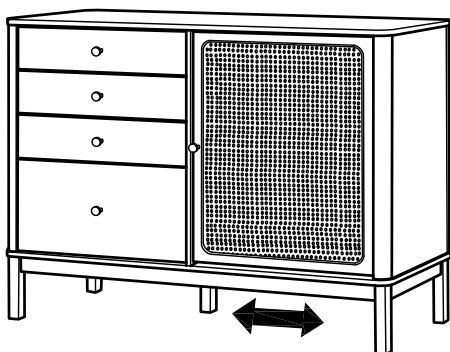
HINGE ADJUSTMENT: If the door does not appear square or aligned, loosen or tighten the appropriate screws on each case hinge as illustrated.

STEP 14



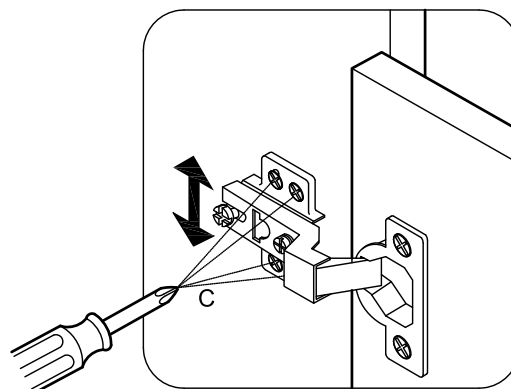
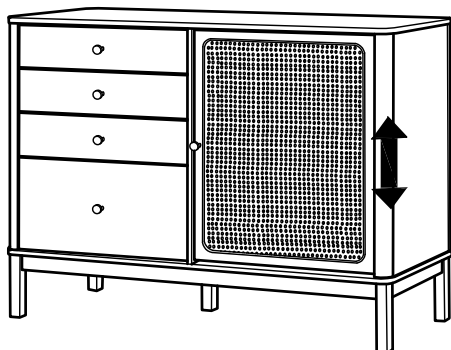
Deep adjustment :
Loosen Screw A&B , adjust gap with screw A and re-tighten screw A&B

STEP 15



Side to side adjustment :
Loosen Screw B , push hinge arm forwards or backwards, re-tighten screw B.

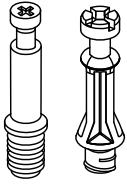
STEP 16



Height adjustment :
Loosen Screw C , adjust door

The assembly of the dresser is complete.

INSTRUCTIONS FOR CAM-BOLT & CAM-LOCK

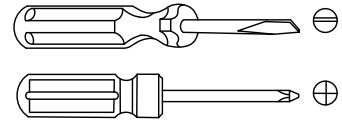


CAM-BOLT

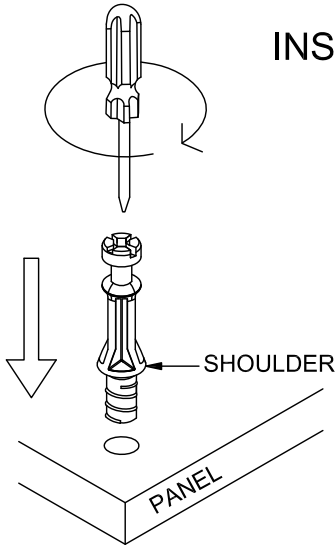


CAM-LOCK

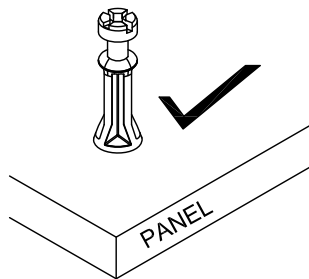
Tool Required



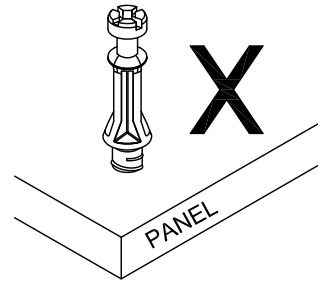
INSERTING AND TIGHTENING CAM-BOLT



Place Cam-bolt on pre-drilled hole and screw in vertically



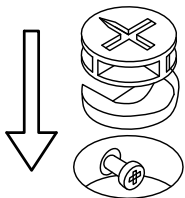
Shoulder is flushed (on the same level) with the panel.



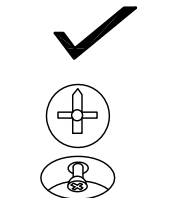
Shoulder is above the panel.

Place Cam-bolt on the designated pre-drilled hole on the panel. Use a Philips Screwdriver to screw-in Cam-bolt vertically until shoulder is flushed (on the same level) with panel.

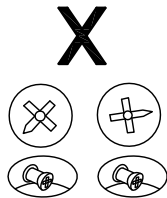
INSERTING CAM-LOCK



Insert Cam-lock with arrow align to Cam-bolt head



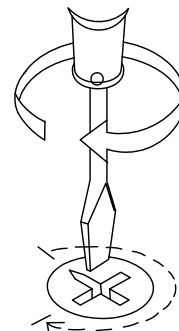
CORRECT



WRONG

Align the arrow on the Cam-lock to the Cam-bolt head and insert the Cam-lock. Ensure Cam-lock is fully inserted.

TIGHTENING CAM-LOCK



Use a Flat-head Screwdriver to turn Cam-lock clockwise so it locks onto the head of the Cam-bolt. Turn until it is snug (about 3/4ths of a turn) -- over-tightening could damage Cam-lock or/and cam-bolt.

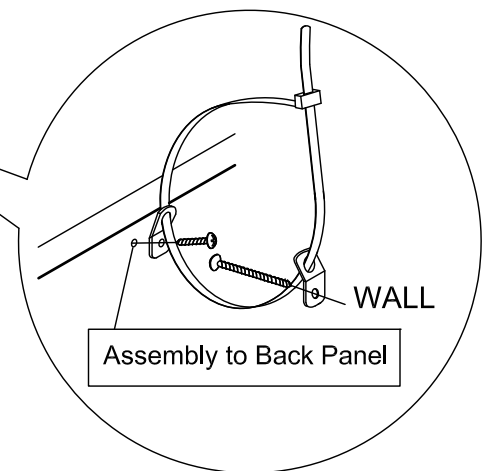
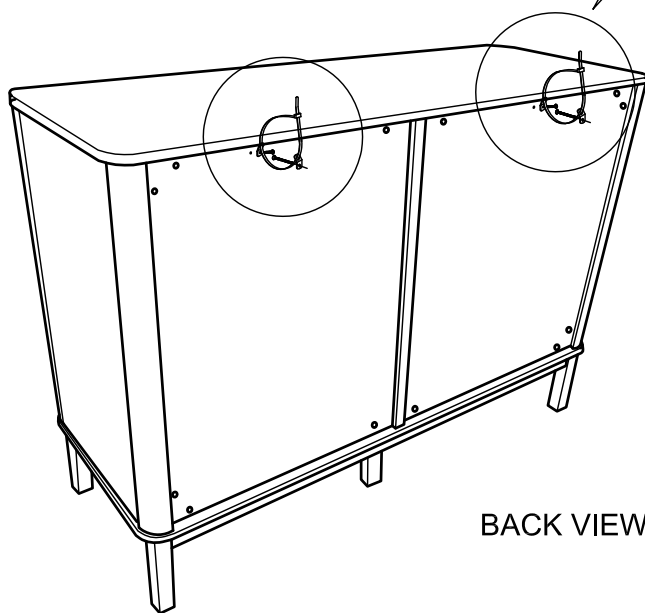
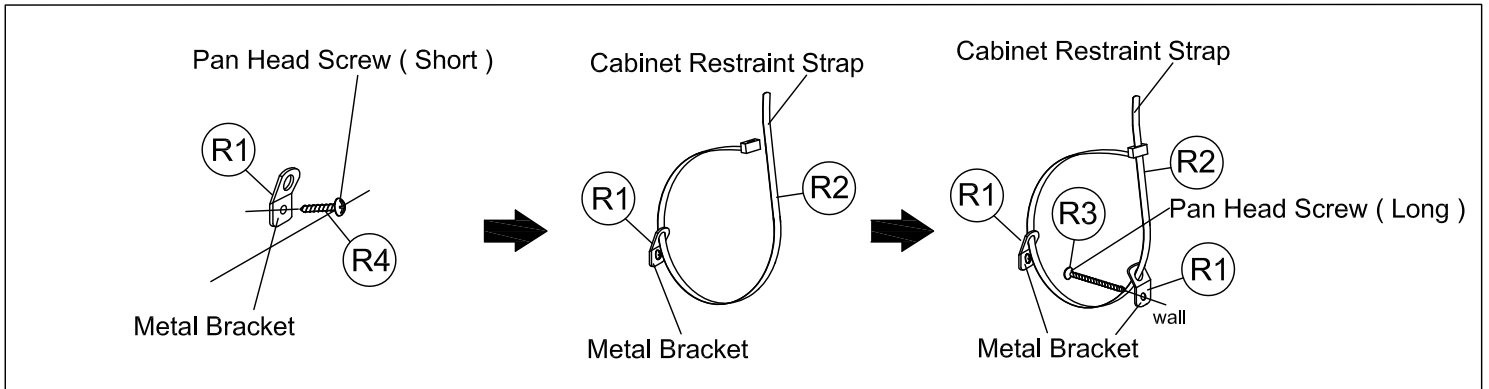
STEP 17

ANTI-TIPOVER KIT AND INSTALLATION. DO NOT SKIP THIS STEP

Unsecured furniture can tip-over and cause serious or fatal injuries.

Tip-over Prevention Tips:

- 1) Install anti-tip kit provided.
- 2) Place heavier items in lower drawers or shelves.
- 3) Do not place heavy objects (e.g. TV) on top of this product.
- 4) Never allow children to climb or hang on this product or any part of the product including, drawers, shelves or doors.
- 5) Never open more than one drawer at a time.
- 6) Do not deactivate or remove any drawer interlock system (if equipped).



- a) Use short Panhead Screw to fasten 1 set of Metal Bracket (R1) to back panel as indicated.
- b) Select the location to place the dresser.
- c) Align the second set of Metal Bracket to be fastened to the wall to the Metal Bracket on the Back Panel - installed in step a) above - and fasten with long Panhead screw. Note: ensure each Metal Bracket on the wall is properly anchored - wall anchors are not provided.
- d) Thread the free end of Cabinet Restraint Strap through the hole on each bracket and into the clasp end of the Strap and pull on the strap until the strap is taut.
- e) Check to ensure the dresser is secured to the wall.

The assembly of the dresser is complete.